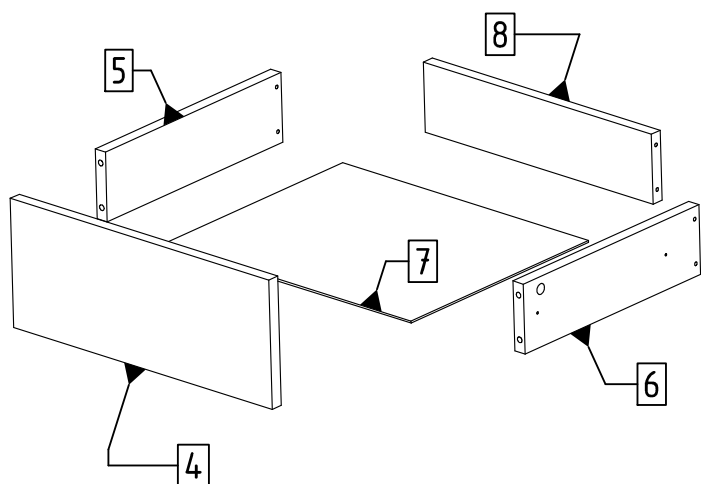
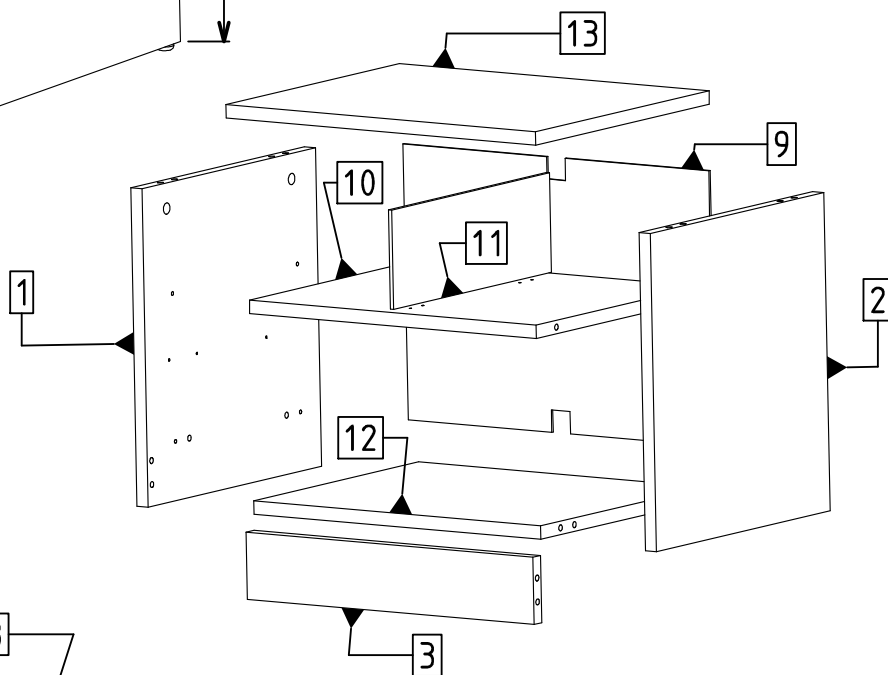
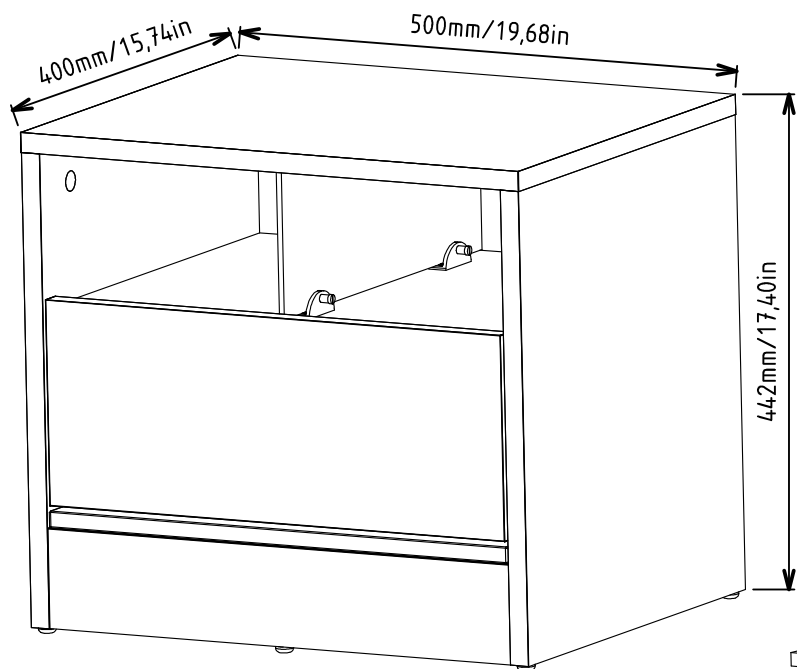
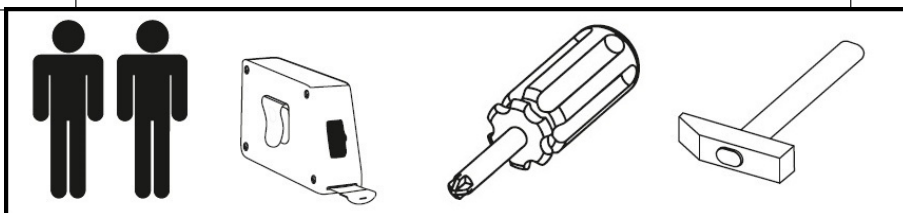


DISPARO

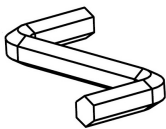
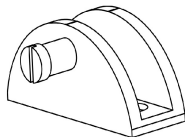
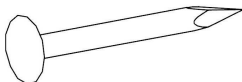
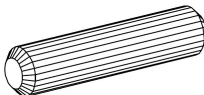
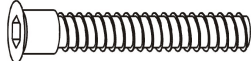

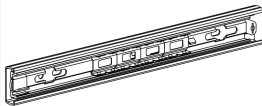

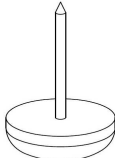
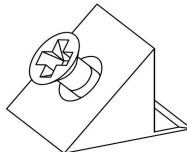
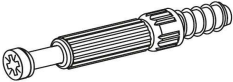
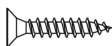
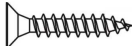

DISPAR003

OP-75



## Table accessories

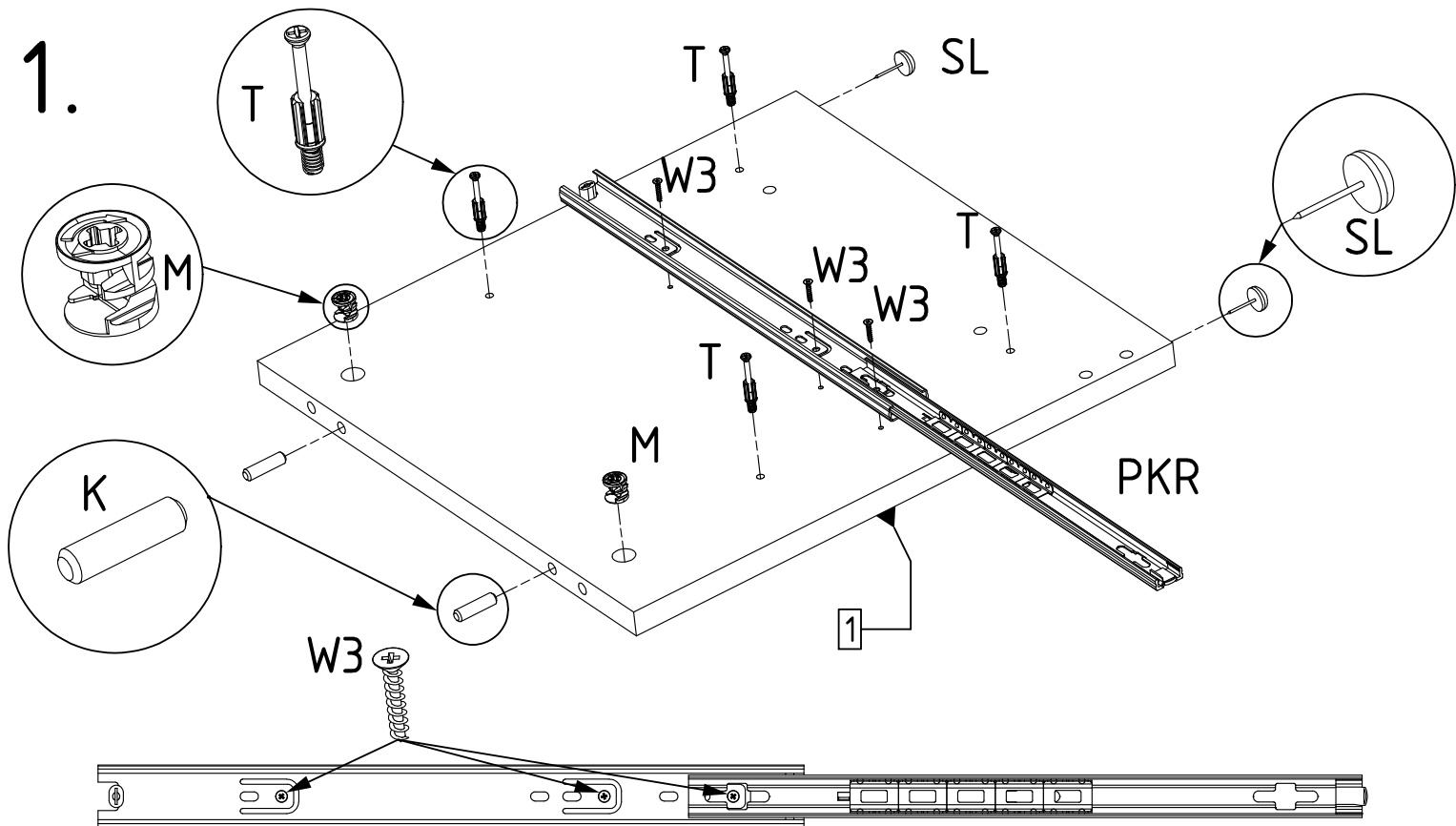
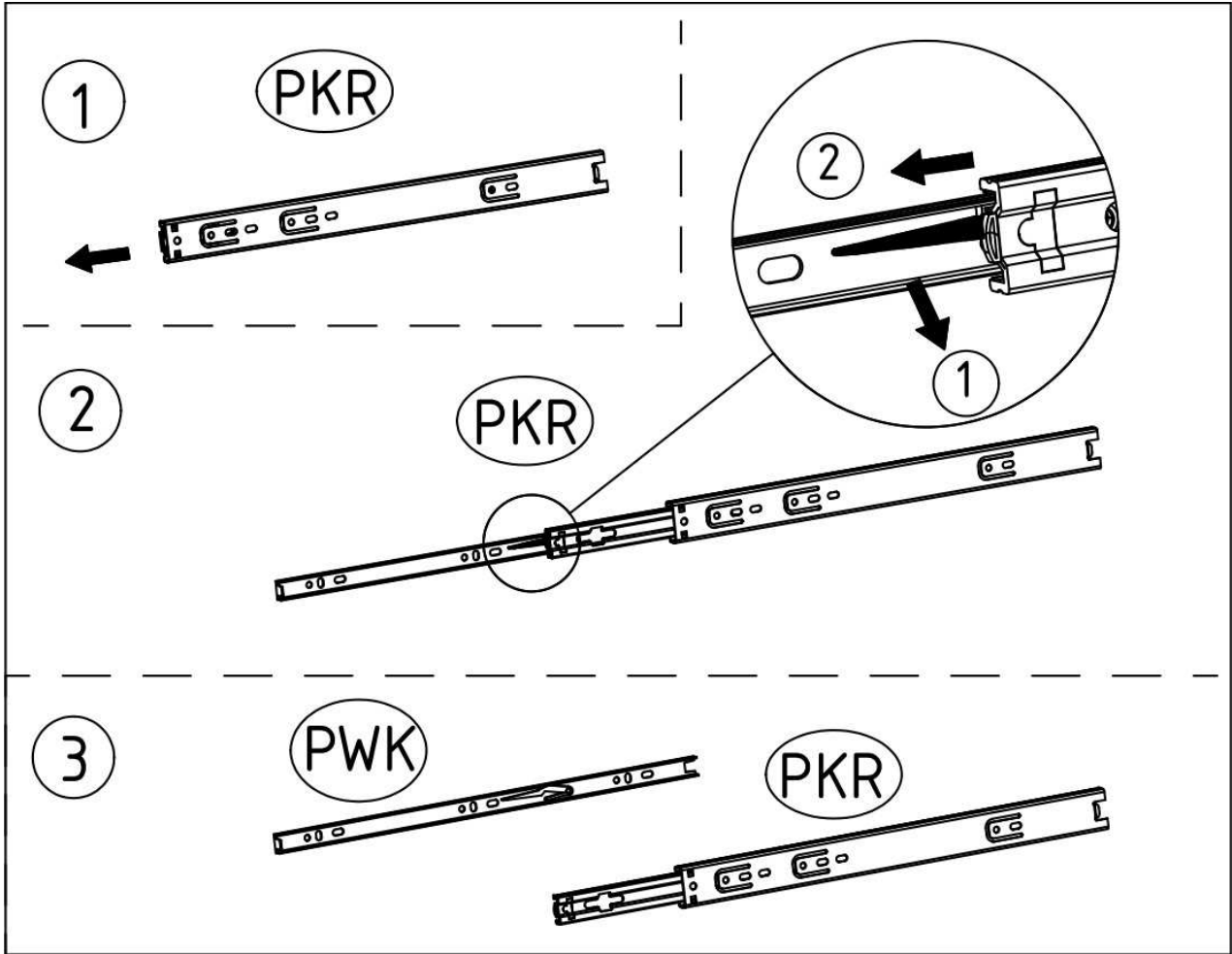
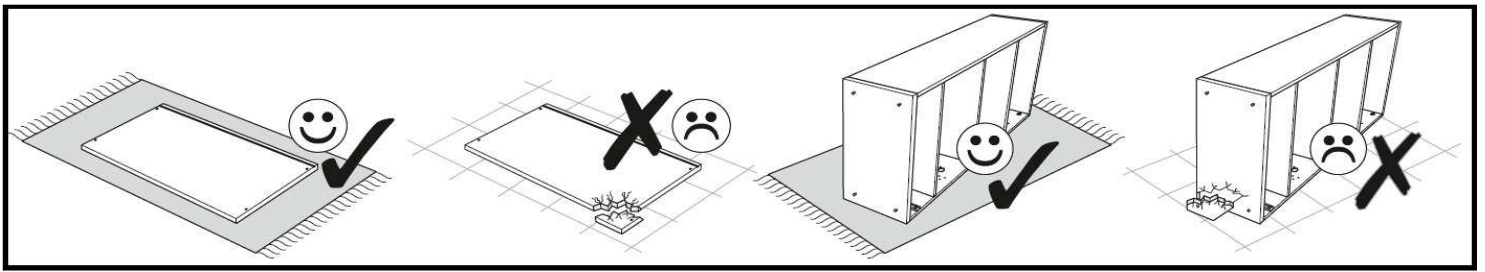
### DISPARO 03

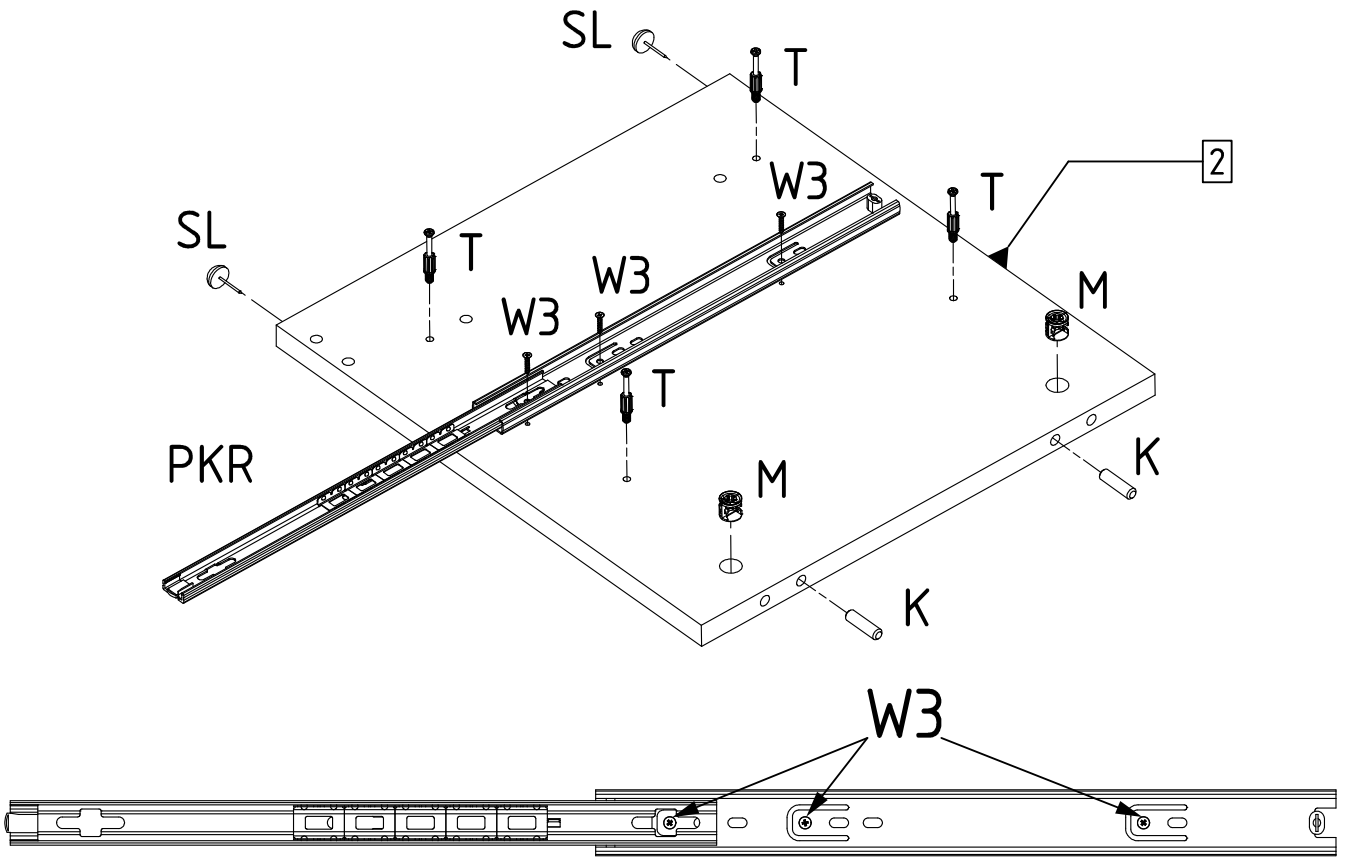
 <b>A1</b>	 <b>BS</b>	 <b>G</b>	8 x 30  <b>K</b>	6,3 X 50  <b>KN</b>
15 x 12  <b>M</b>	L350  <b>PKR</b>	L350  <b>PWK</b>	 <b>SL</b>	 <b>ST</b>
6 x 34 mm  <b>T</b>	4 x 16  <b>W16</b>	3 x 16mm  <b>W3</b>	 <b>Z</b>	

Elements				Accessories	
SYMBOL	LENGTH	WIDTH	QUANTITY	SYMBOL	QUANTITY
BL [1]	16.77	15.75	1	A1	1
BP [2]	16.77	15.75	1	BS	2
CD [3]	18.23	3.54	1	G	25
FTS [4]	17.99	7.28	1	K	14
KBL [5]	13.78	3.94	1	KN	4
KBP [6]	13.78	3.94	1	M	14
KD [7]	17.13	13.94	1	PKR [L-350]	2
KT [8]	15.87	3.94	1	PWK [L-350]	2
PC [9]	19.45	14.53	1	SL	5
PPO [10]	18.23	15	1	ST	2
PS [11]	14.33	5.24	1	T	14
WD [12]	18.23	14.96	1	W16	4
WG [13]	19.69	15.75	1	W3	10
				Z	14

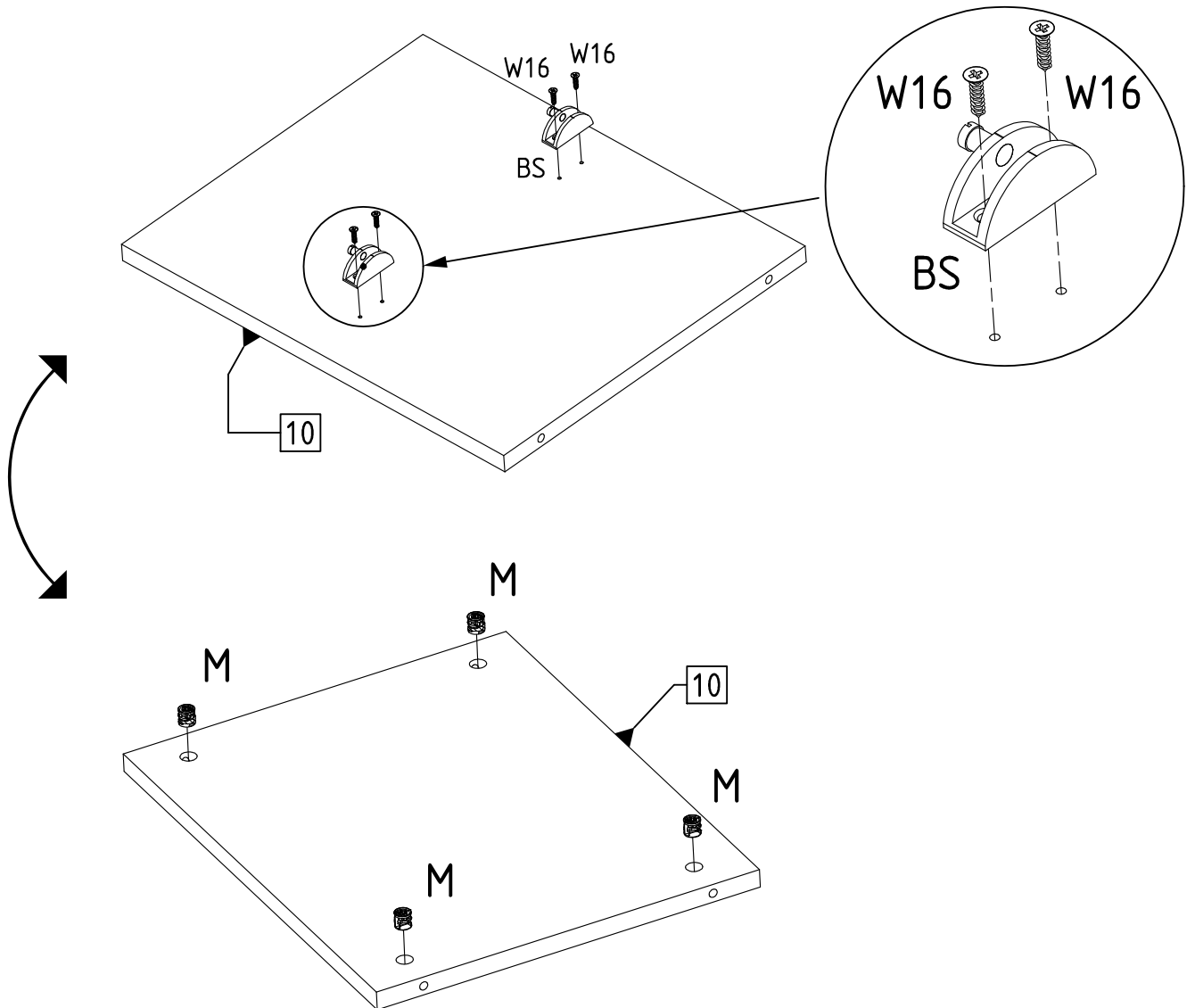


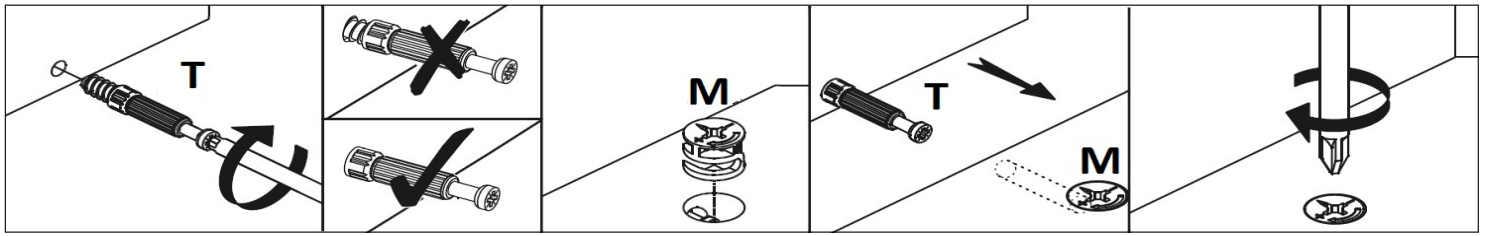
SCAN THIS QR CODE FOR  
INSTRUCTION MANUALS  
AND ASSEMBLY VIDEOS



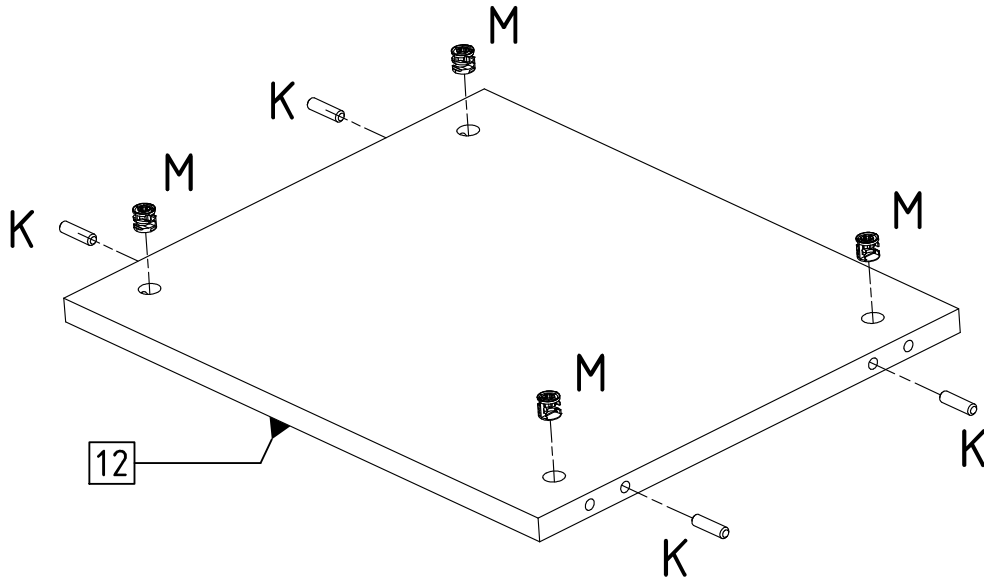


2.

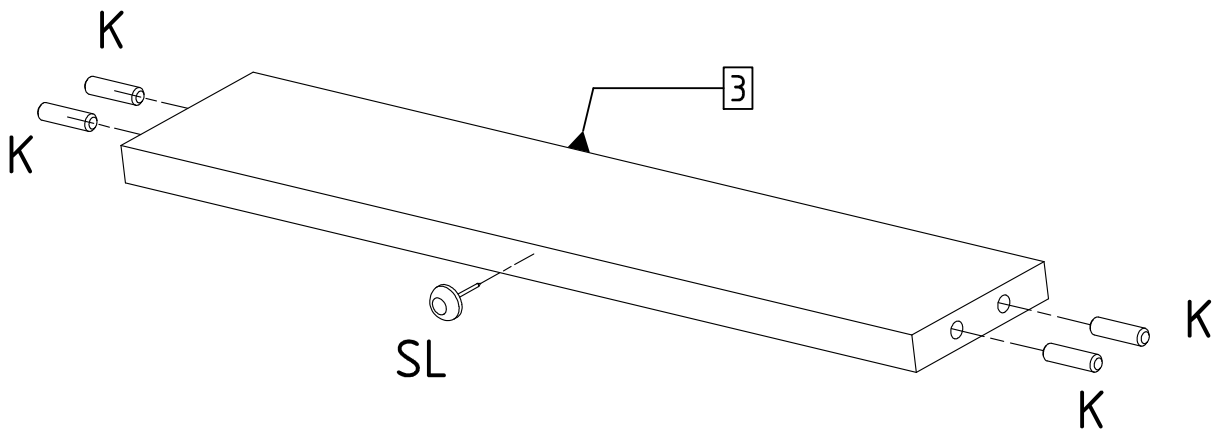




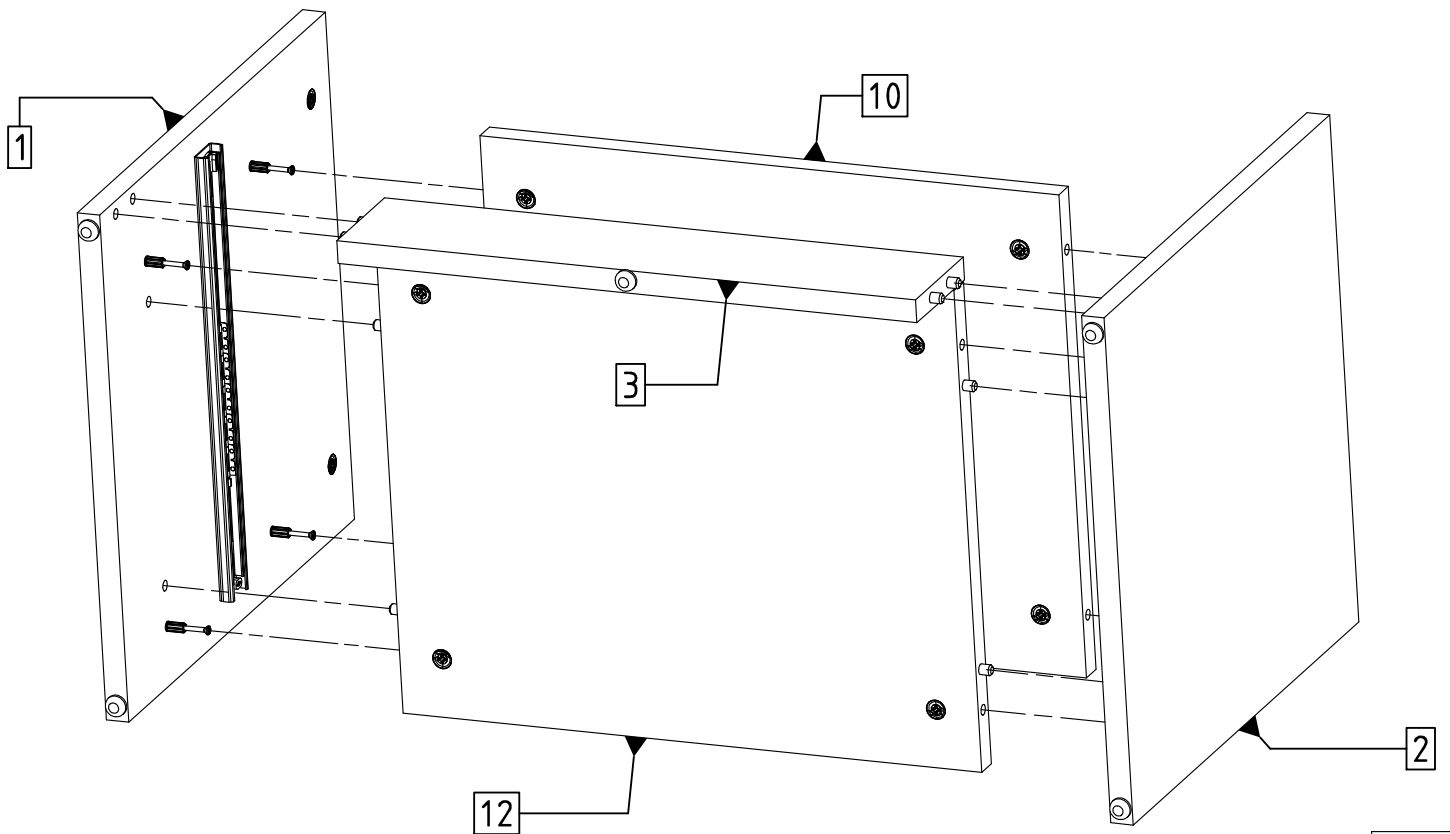
3.



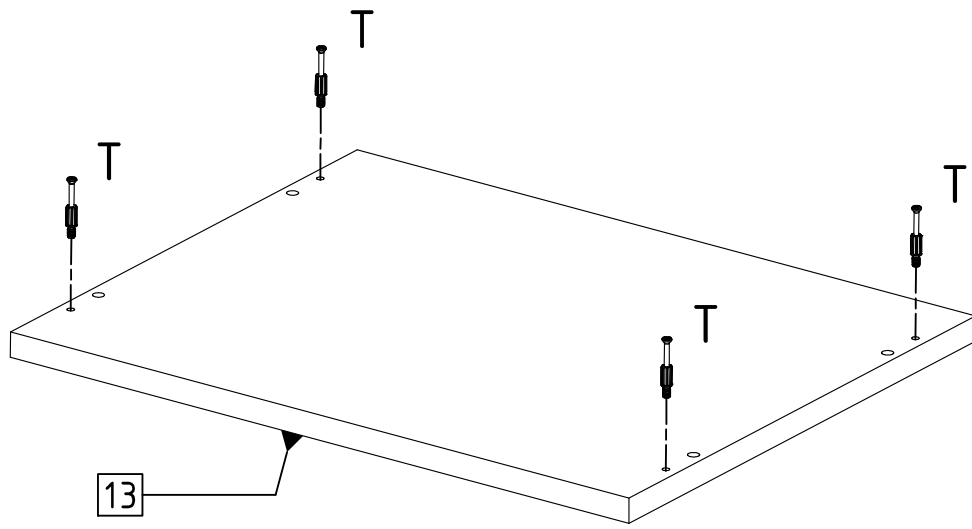
4.



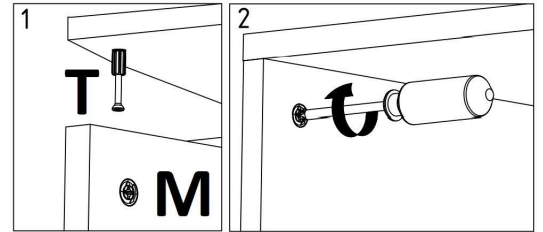
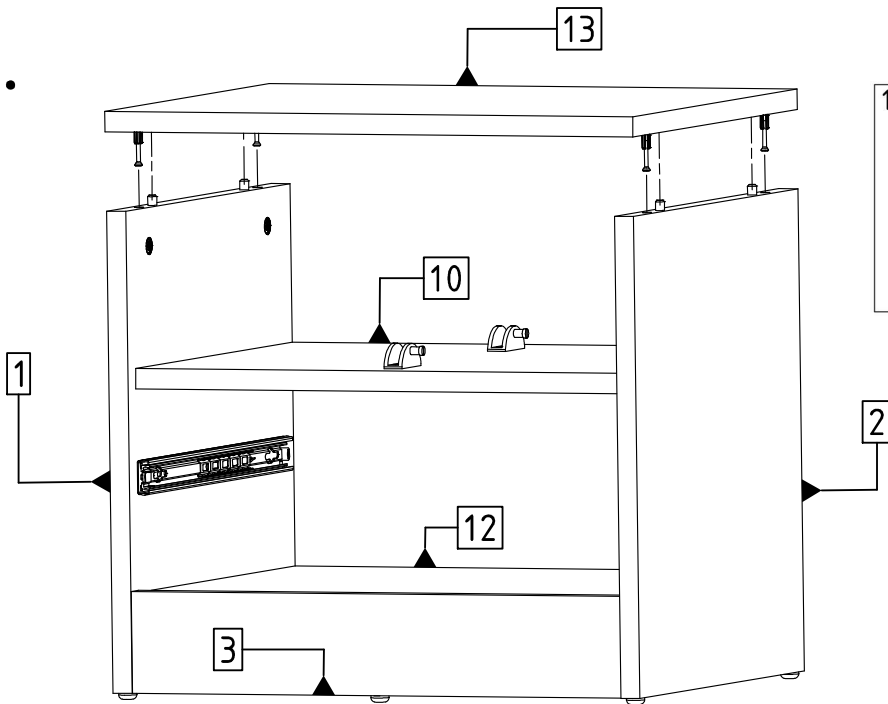
5.



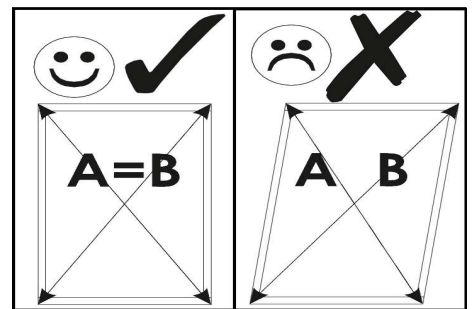
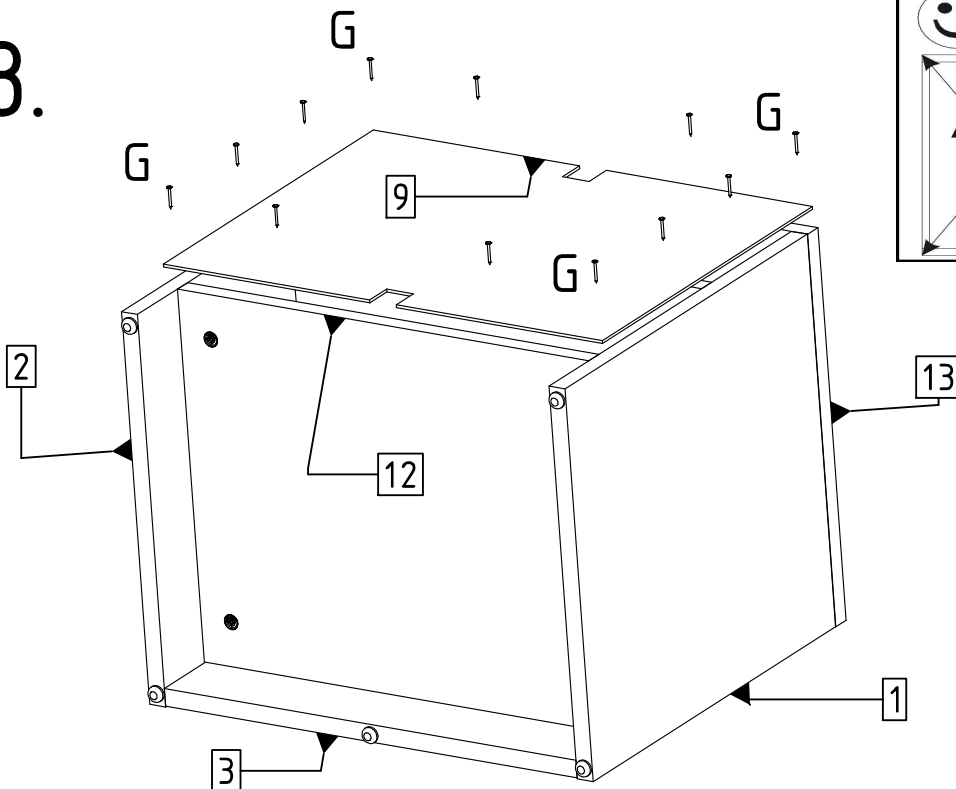
6.



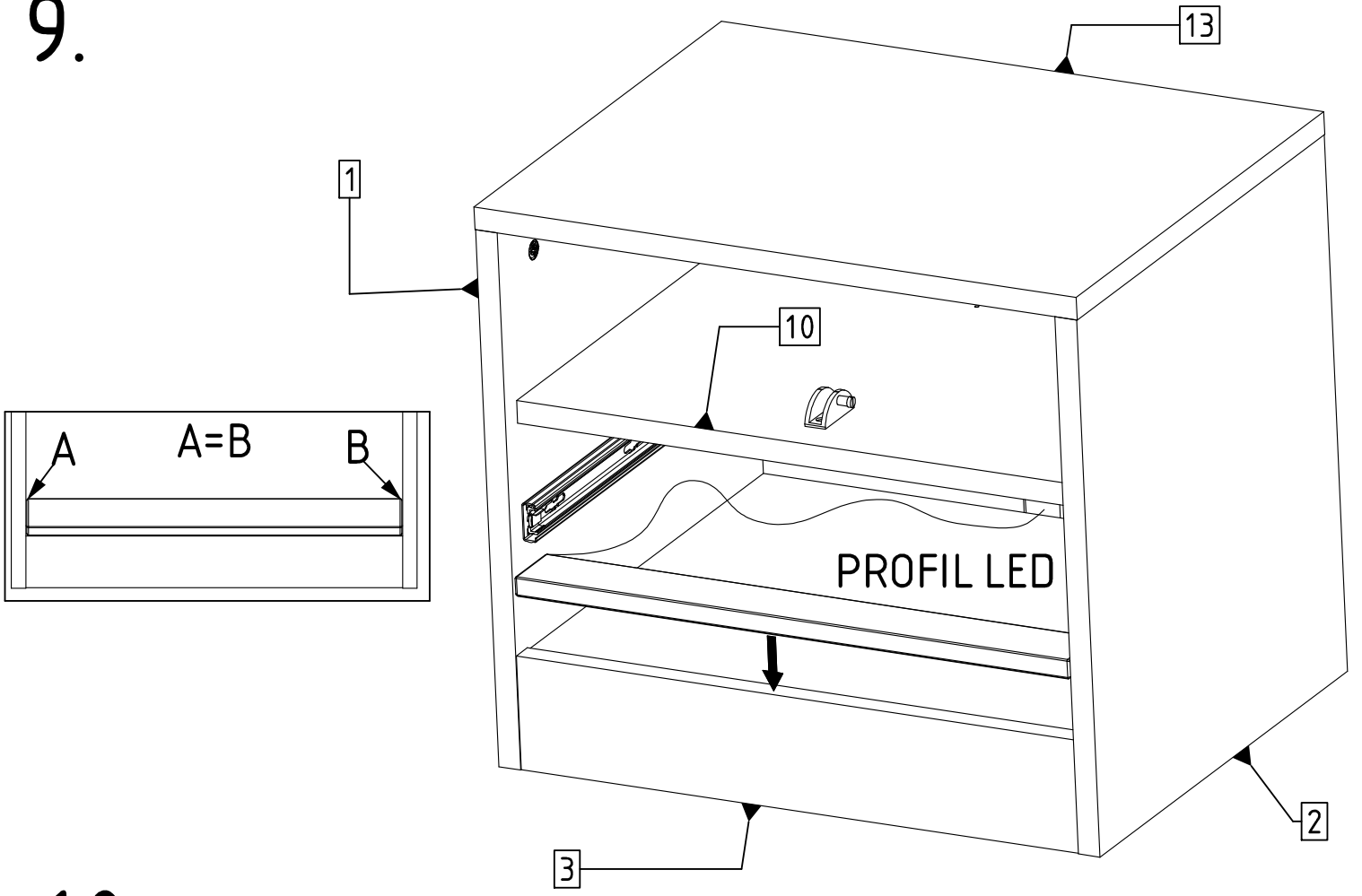
7.



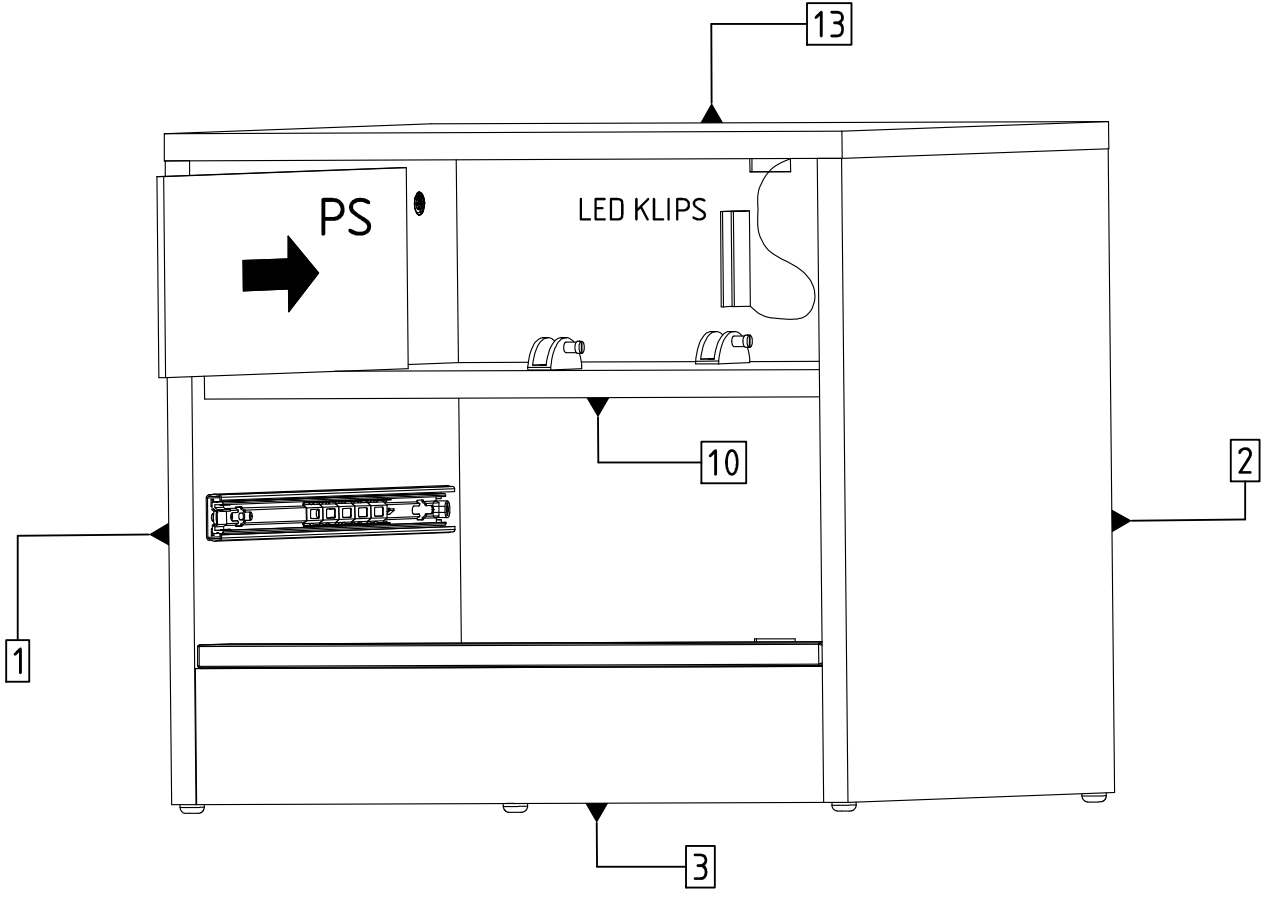
8.



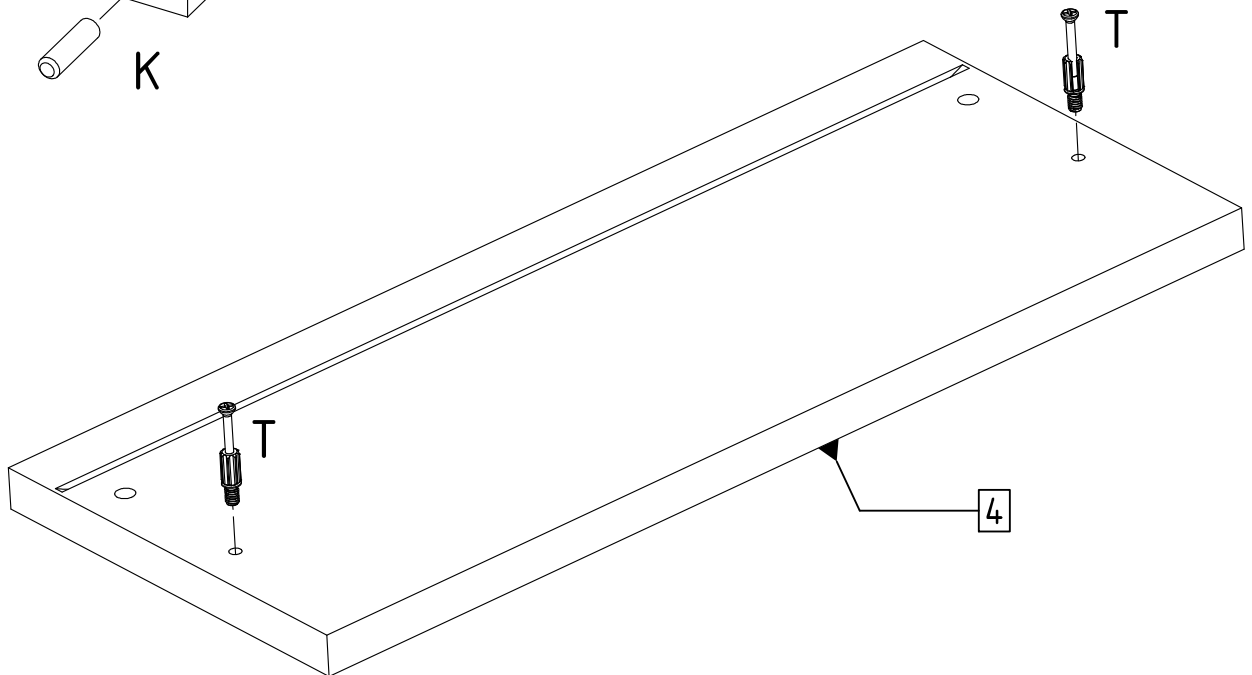
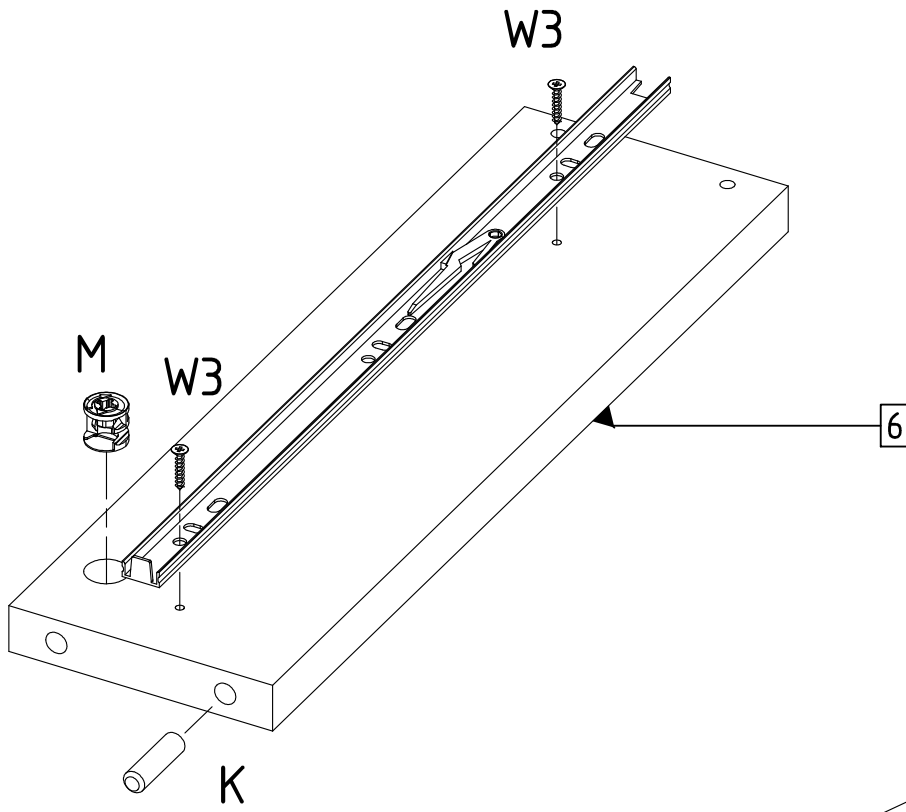
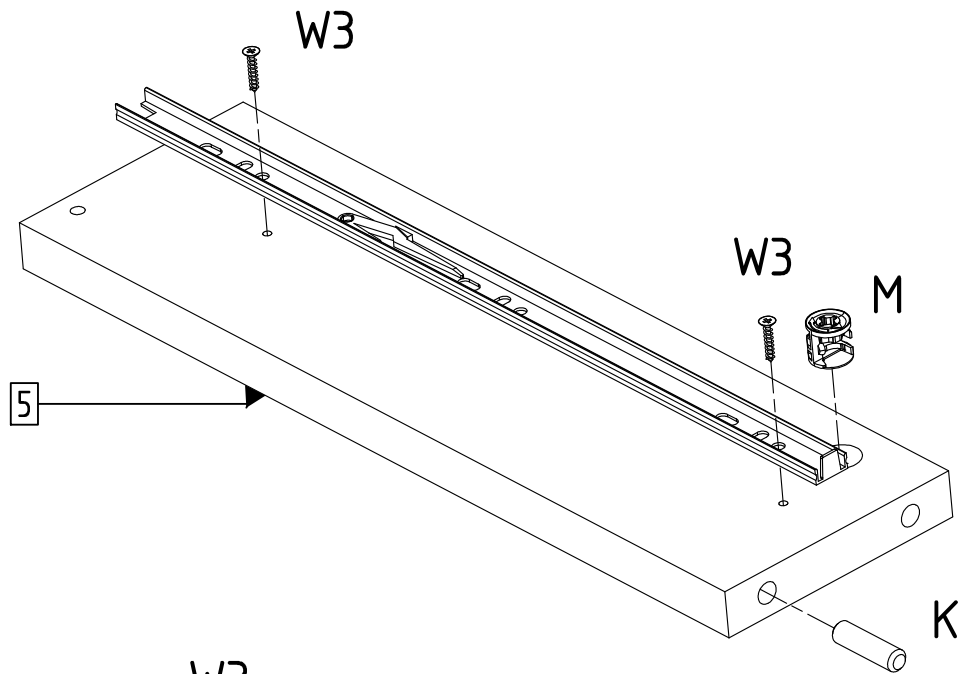
9.



10.

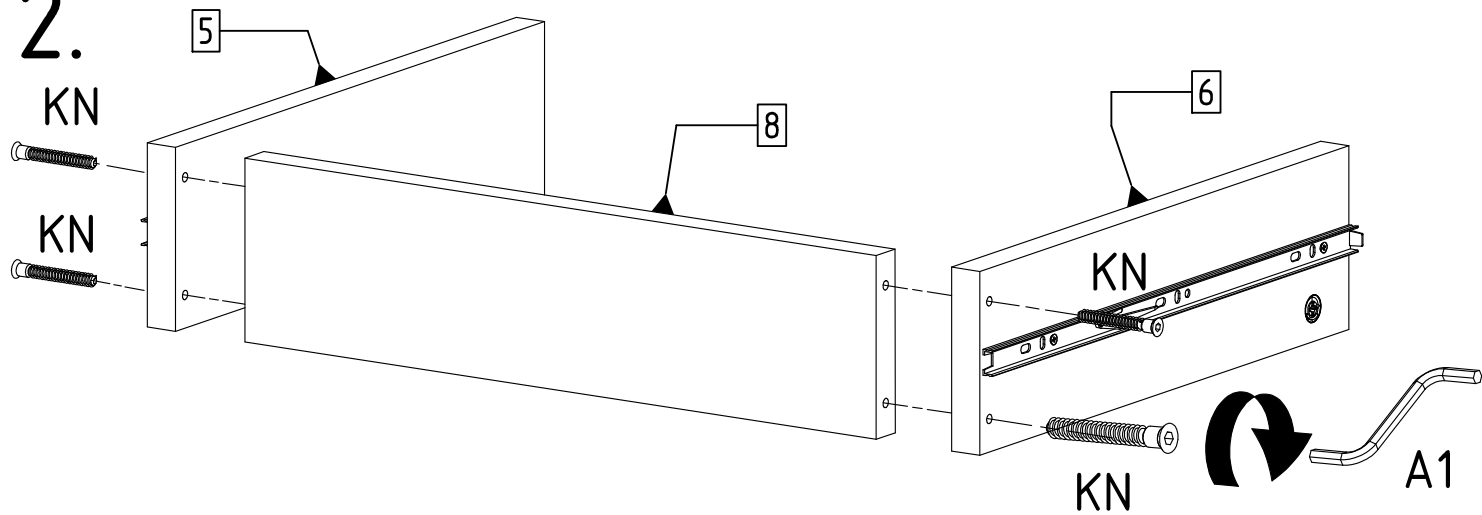


11.

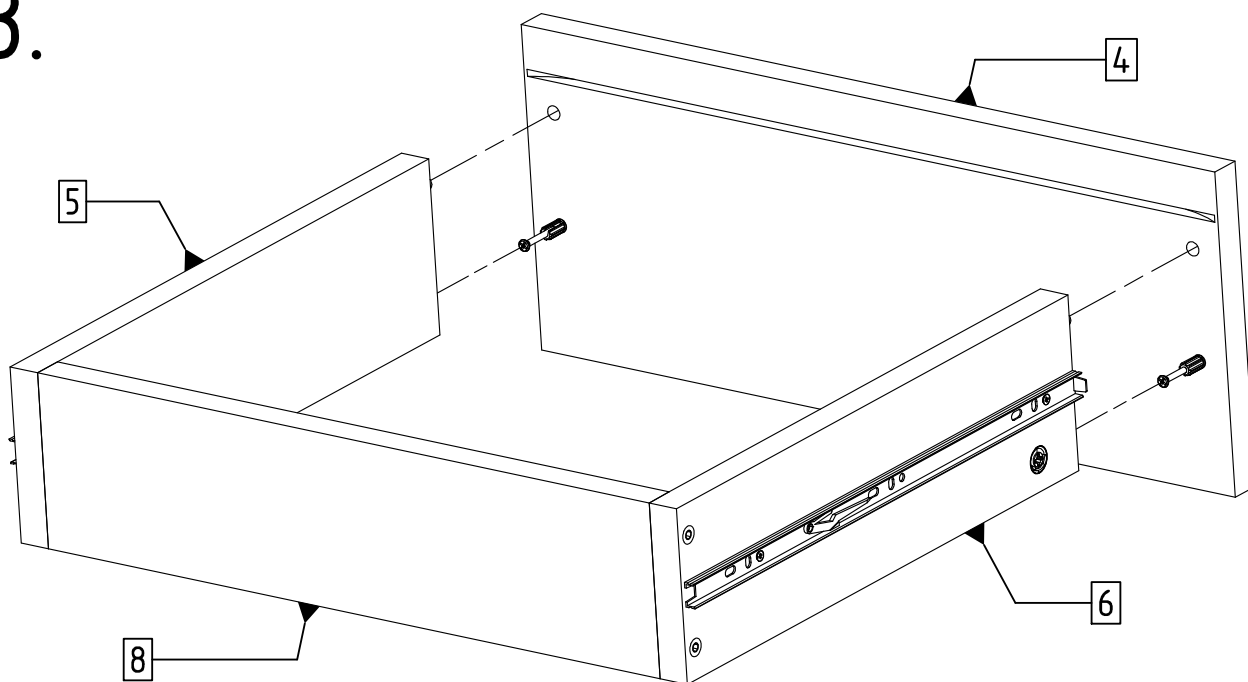




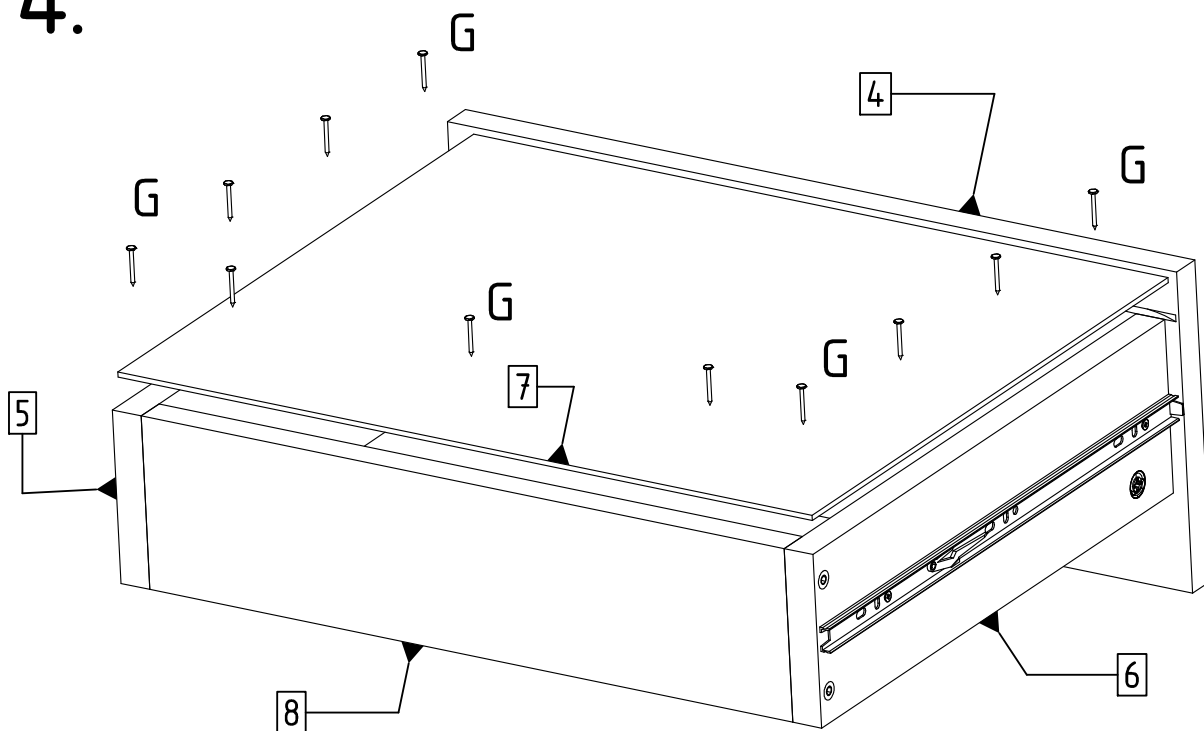
12.



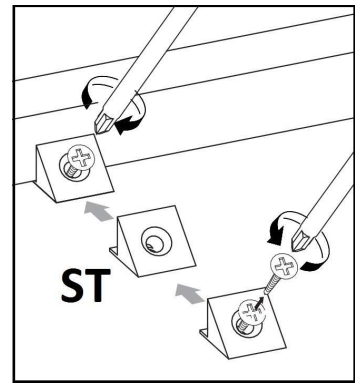
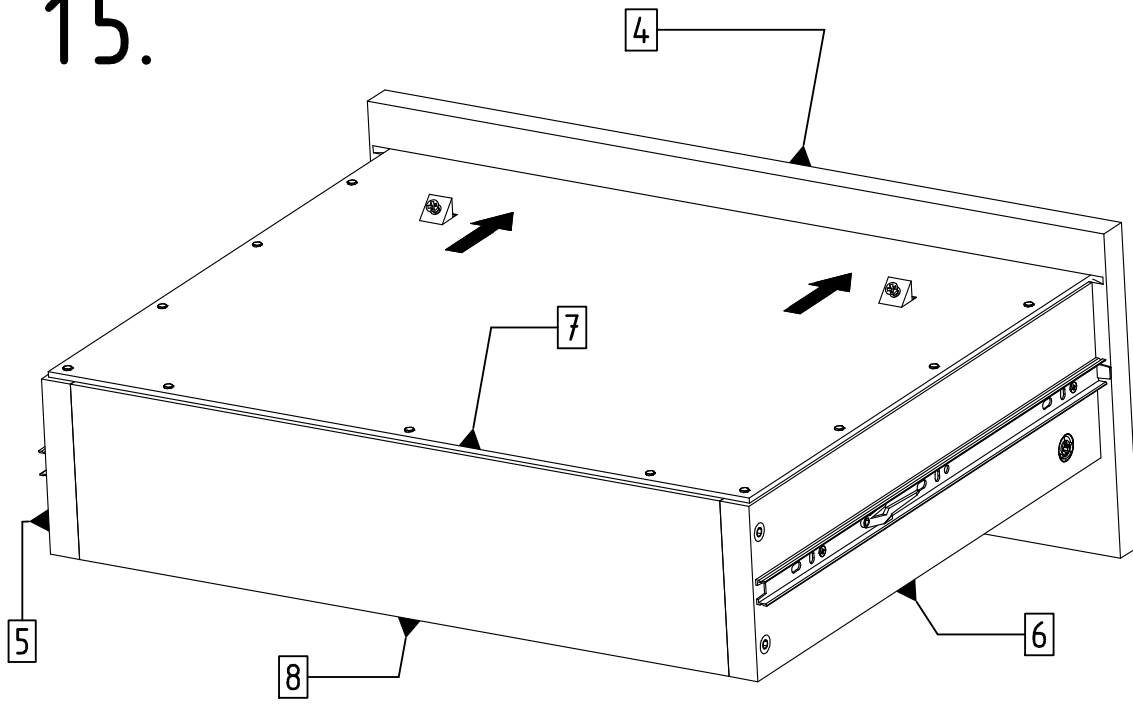
13.



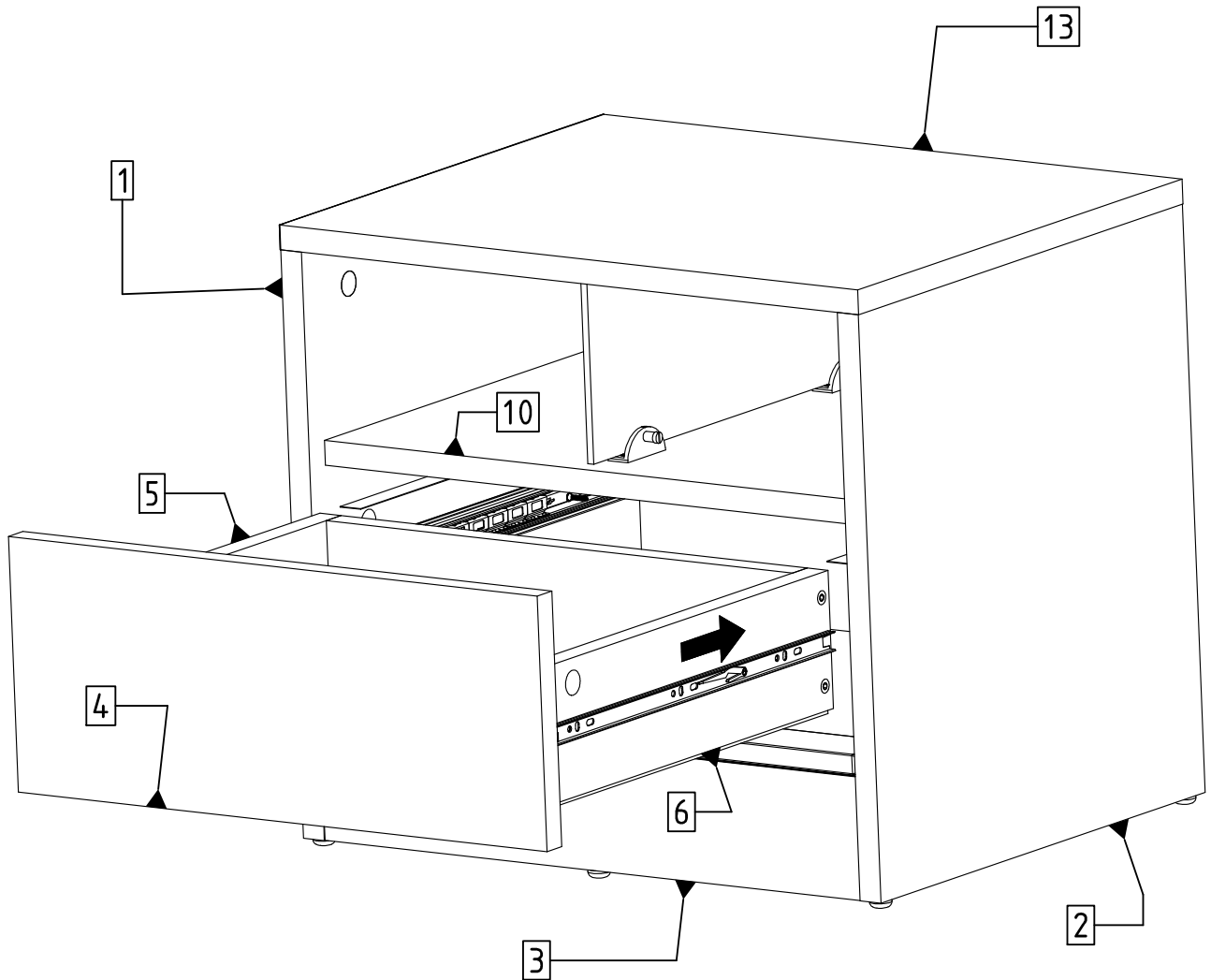
14.



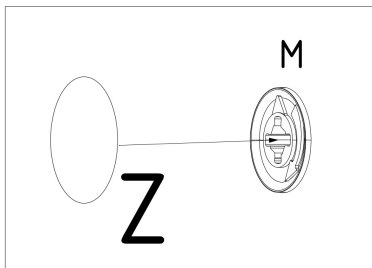
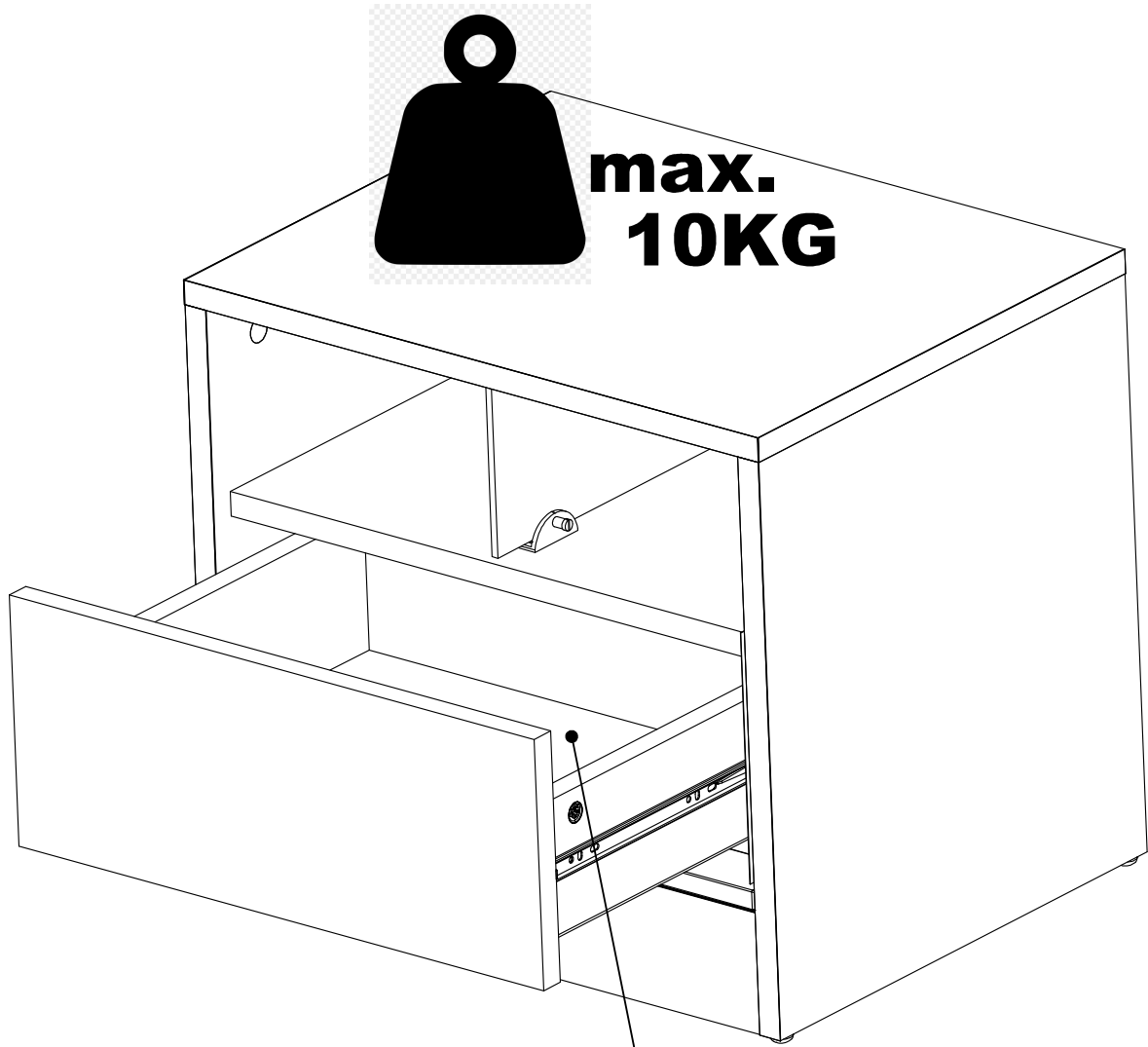
15.



16.



17.



**max.  
5kg**

