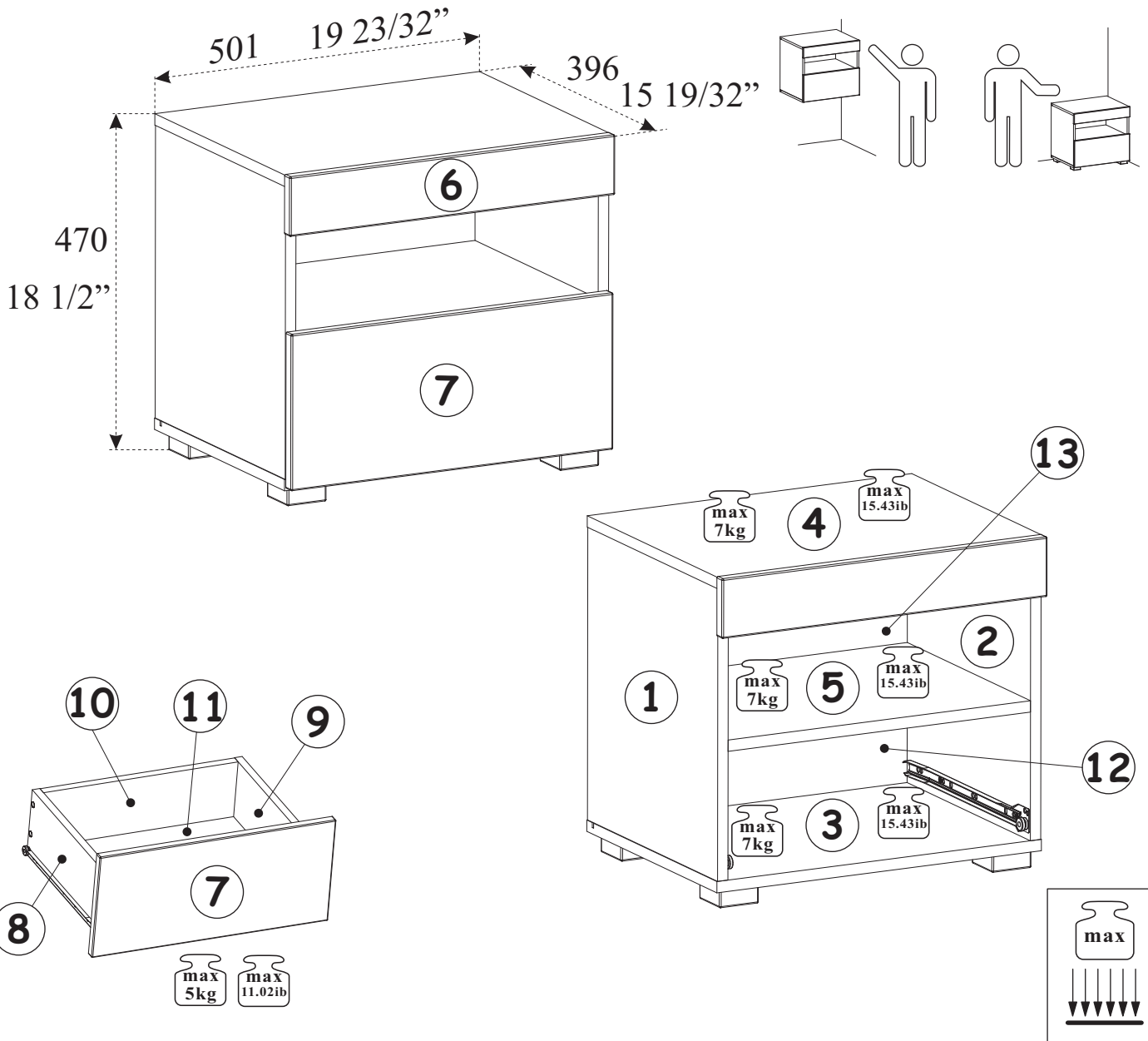
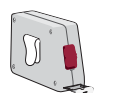
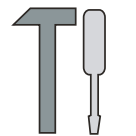
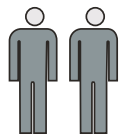


VIV



NO	Dim			Col.-No	Qty
1	412	380	16	1	1
2	412	380	16	1	1
4	500	380	16	1	1
5	466	360	16	1	1
3	500	380	16	1	1
8	350	140	16	1	1
9	350	140	16	1	1
10	409	120	16	1	1
6	501	84	16	1	1
7	496	220	16	1	1
11	354	421	3	1	1
13	478	228	3	1	1
12	478	194	3	1	1

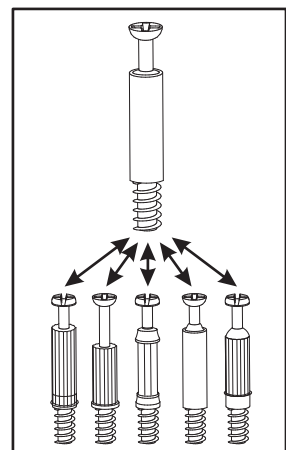
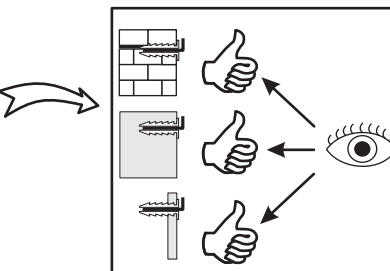
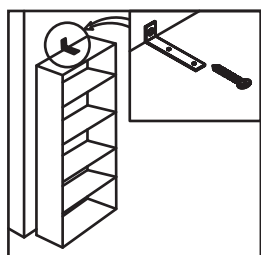
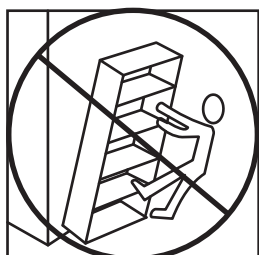
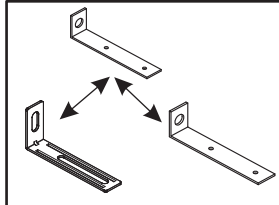
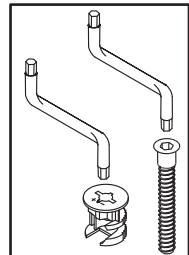
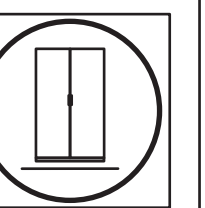
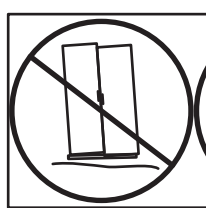
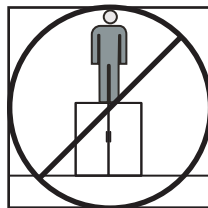
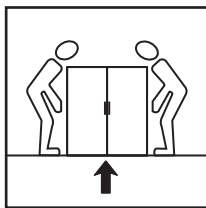
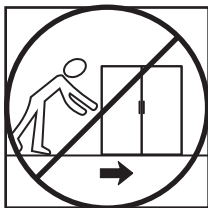
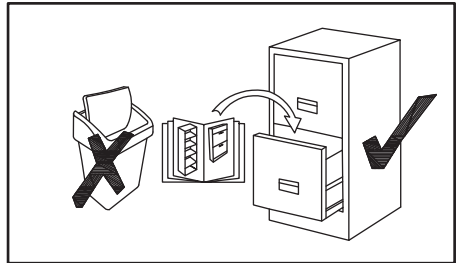
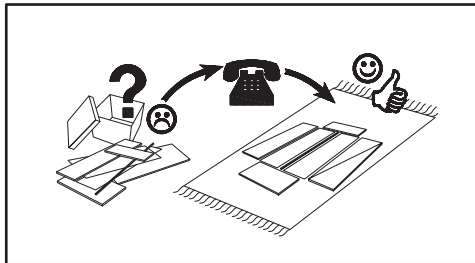
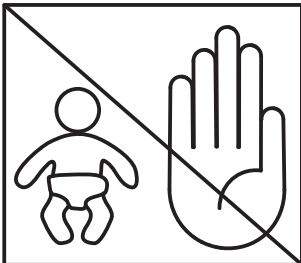
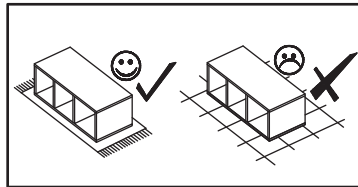
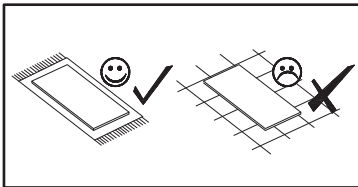
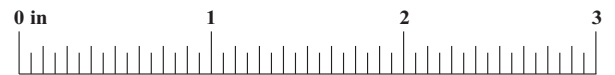
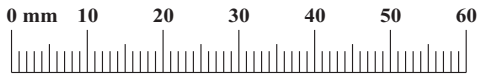
NO	Inch			Col.-No	Qty
1	16 7/32	14 61/64	5/8	1	1
2	16 7/32	14 61/64	5/8	1	1
4	19 11/16	14 61/64	5/8	1	1
5	18 11/32	14 11/64	5/8	1	1
3	19 11/16	14 61/64	5/8	1	1
8	13 25/32	5 33/64	5/8	1	1
9	13 25/32	5 33/64	5/8	1	1
10	16 7/64	4 23/32	5/8	1	1
6	19 23/32	3 5/16	5/8	1	1
7	19 17/32	8 21/32	5/8	1	1
11	13 15/16	16 37/64	1/8	1	1
13	18 13/16	8 31/32	1/8	1	1
12	18 13/16	7 41/64	1/8	1	1



60 min

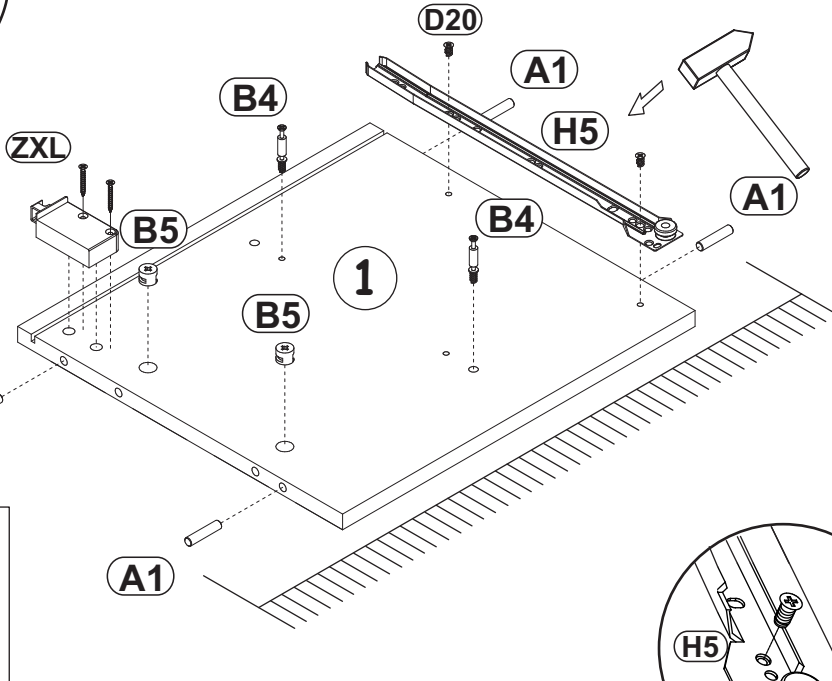
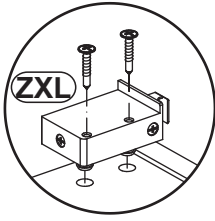
VIV

A1 x18 Ø5/16"x1 27/64" Ø8x36	B11 x8 Ø9/32"x1 31/32" Ø7x50	G4 x8 C	B4 x12	B5 x12 Ø19/32"x15/32" Ø15x12	G5 x12
D20 x4 ESØ15/64"x3/8" ESØ6x9,5	UP13 x6 USØ1/8"x5/8" UPØ3x16	D10 x4 USØ9/64"x33/64" USØ3,5x13	G16 x3	ZXL x1	ZXP x1
D6 x8 USØ9/64"x1 3/16" USØ3,5x30	H5 x1 L-13 25/32" L-350mm.	ST21 x4 2 23/64"x 2 23/64"x63/64" 60x60x25	S1 x9	KR5 SFXP x4 Ø 25/64"/1 31/32" x2 23/64" Ø10/50x60	SZ9 x1 L=18 3/16" L=462mm
LZ3 x1	SQ x1	G2 x1			



VIV

1



A1	Ø5/16" x 1 27/64"
x4	ø8x36

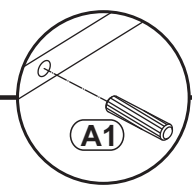
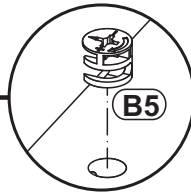
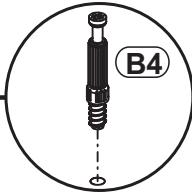
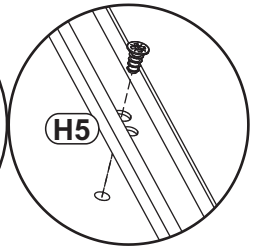
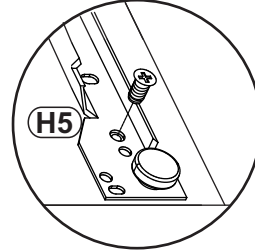
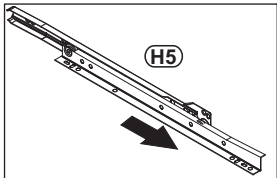
B5	Ø19/32" x 15/32"
x2	Ø15x12

B4	
x2	

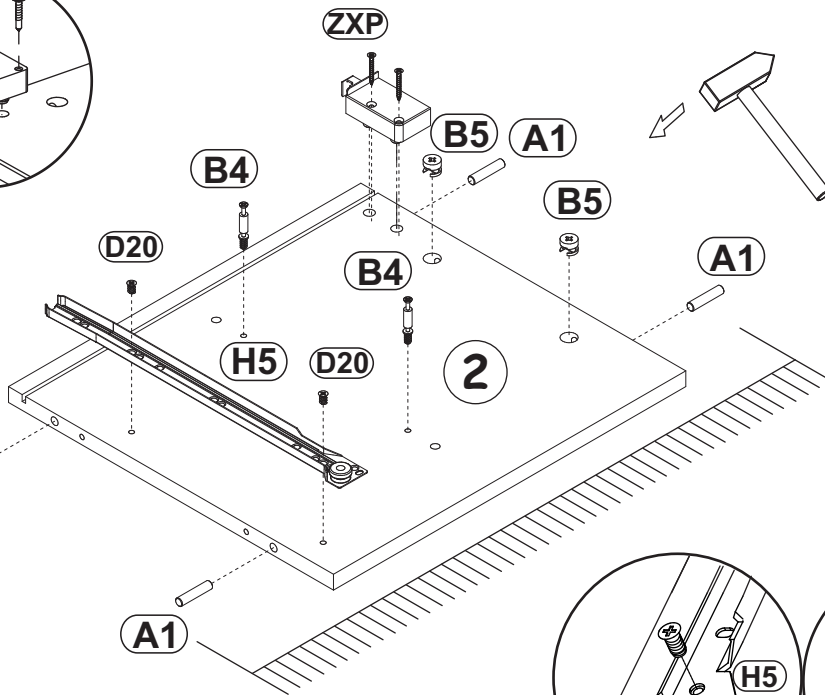
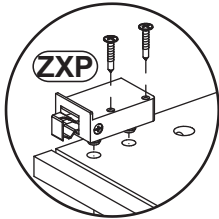
ZXL	
x1	

D20	ESØ15/64" x 3/8"
x2	ESØ6x9,5

H5	
x1	L-350mm.



2



A1	Ø5/16" x 1 27/64"
x4	ø8x36

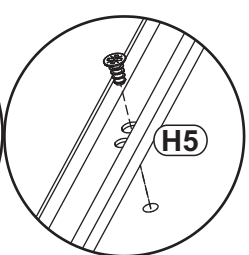
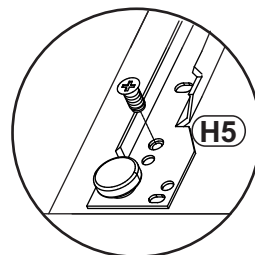
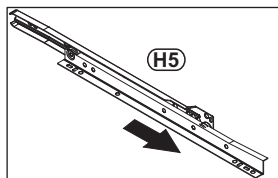
B5	Ø19/32" x 15/32"
x2	Ø15x12

B4	
x2	

ZXP	
x1	

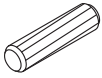
D20	ESØ15/64" x 3/8"
x2	ESØ6x9,5


H5	
x1	L-350mm.

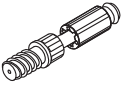


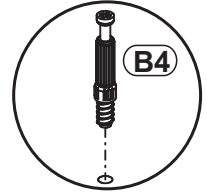
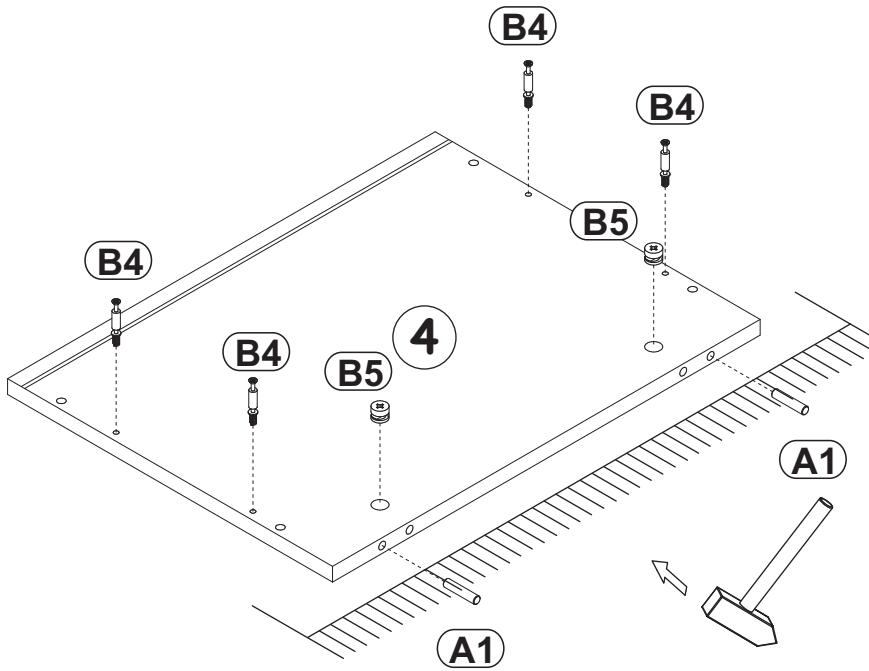
VIV

3

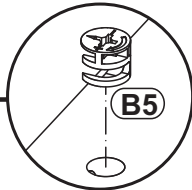
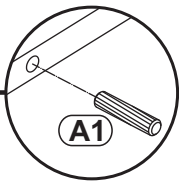
A1	Ø5/16"x1 27/64"
x2	 ø8x36

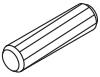
B5	Ø19/32"x15/32"
x2	 Ø15x12

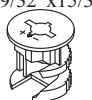
B4	
x4	

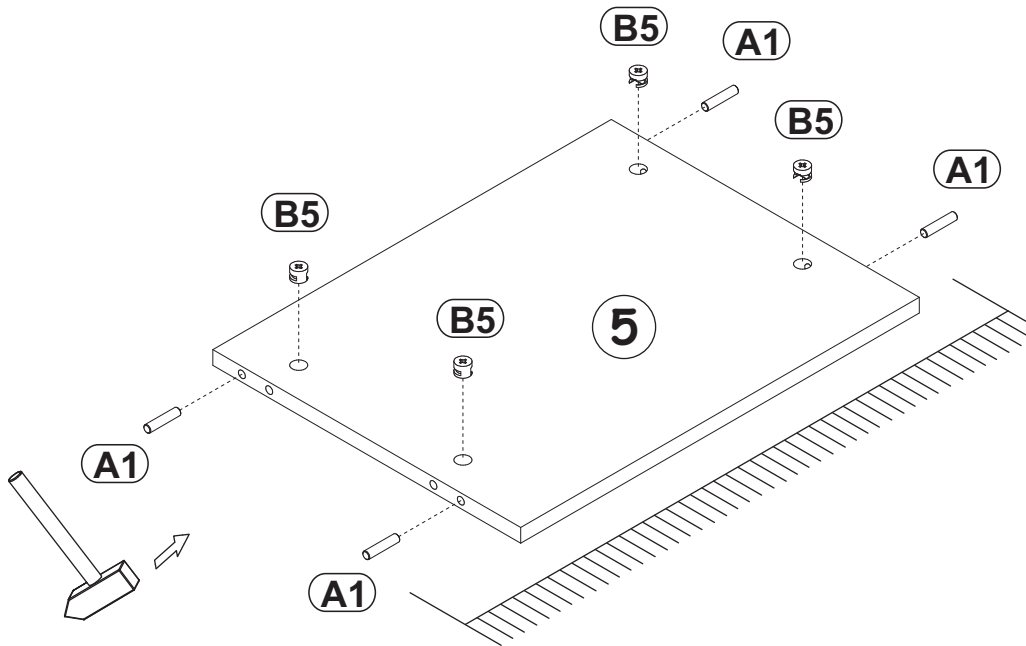


4



A1	Ø5/16"x1 27/64"
X4	 ø8x36

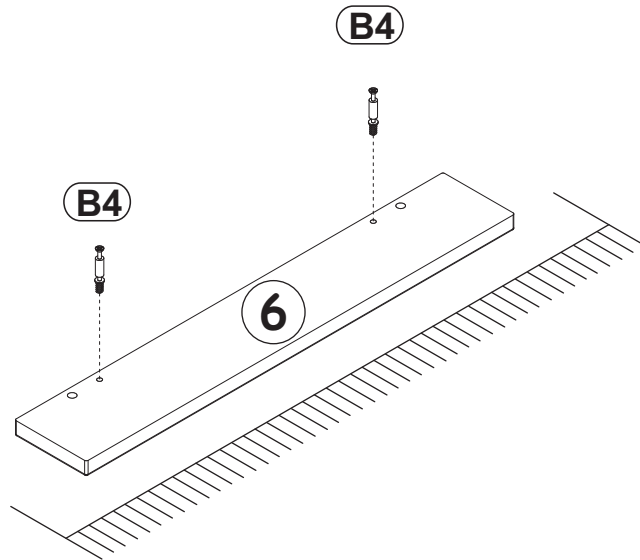
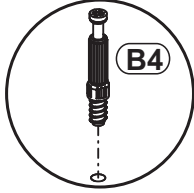
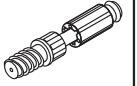
B5	Ø19/32"x15/32"
x4	 Ø15x12



5

B4

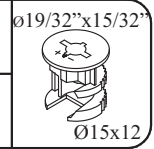
x2



6

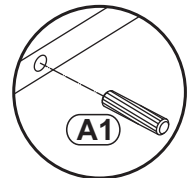
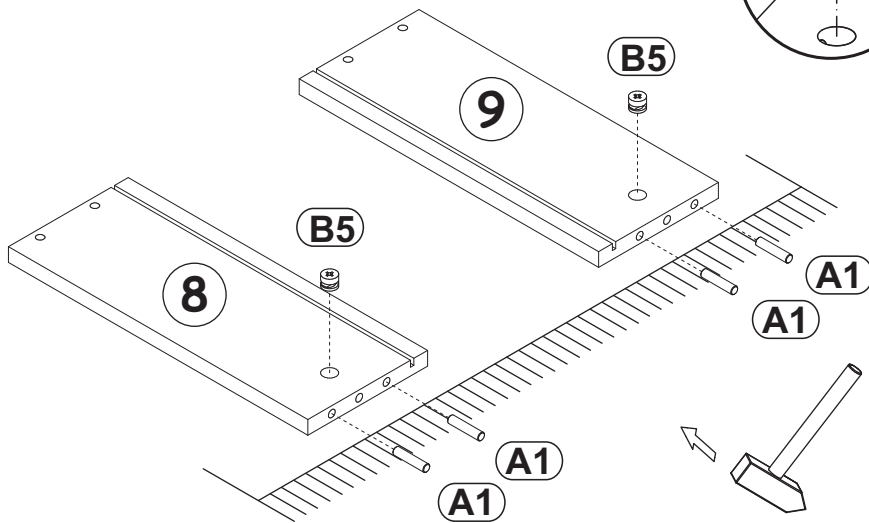
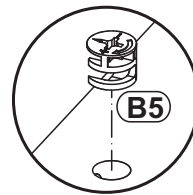
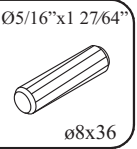
B5

x2



A1

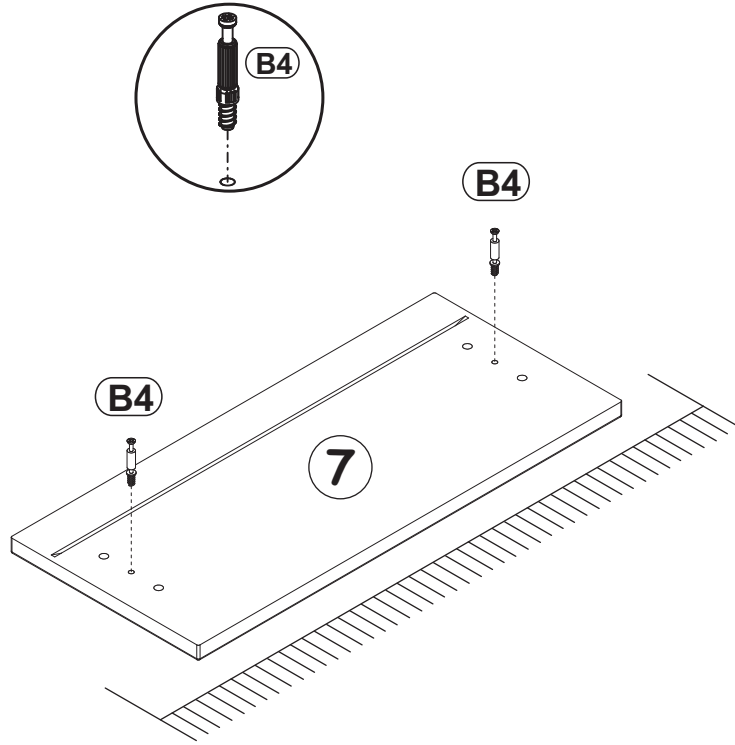
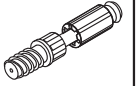
x4



7

B4

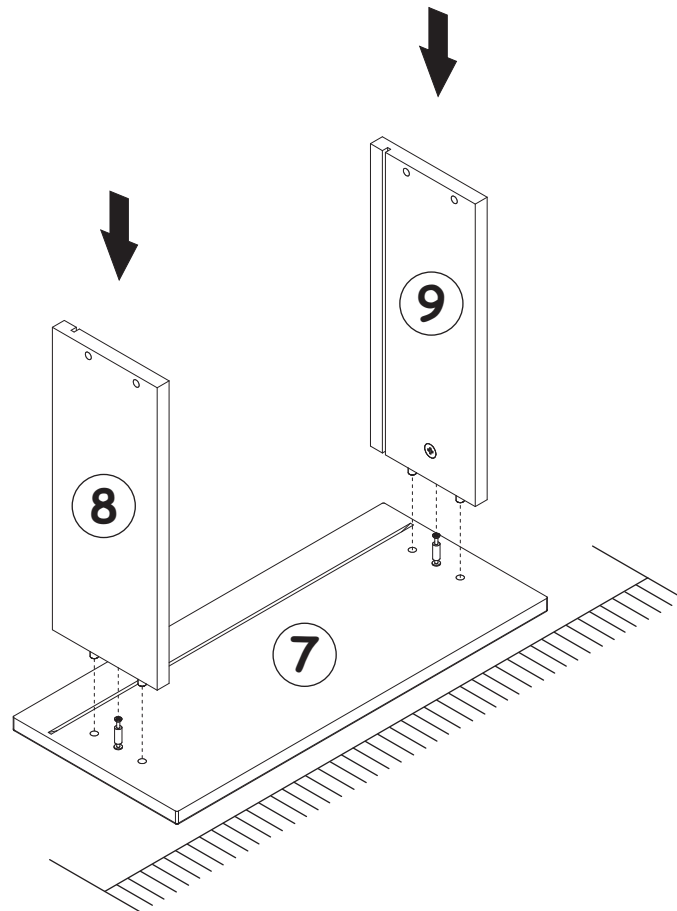
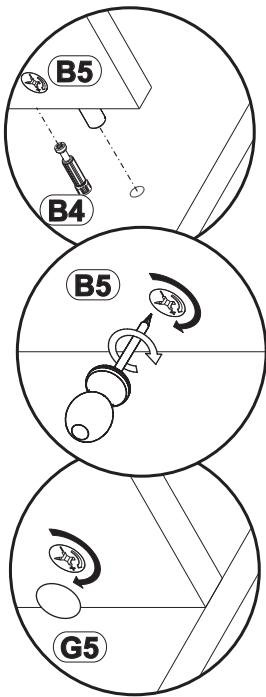
x2



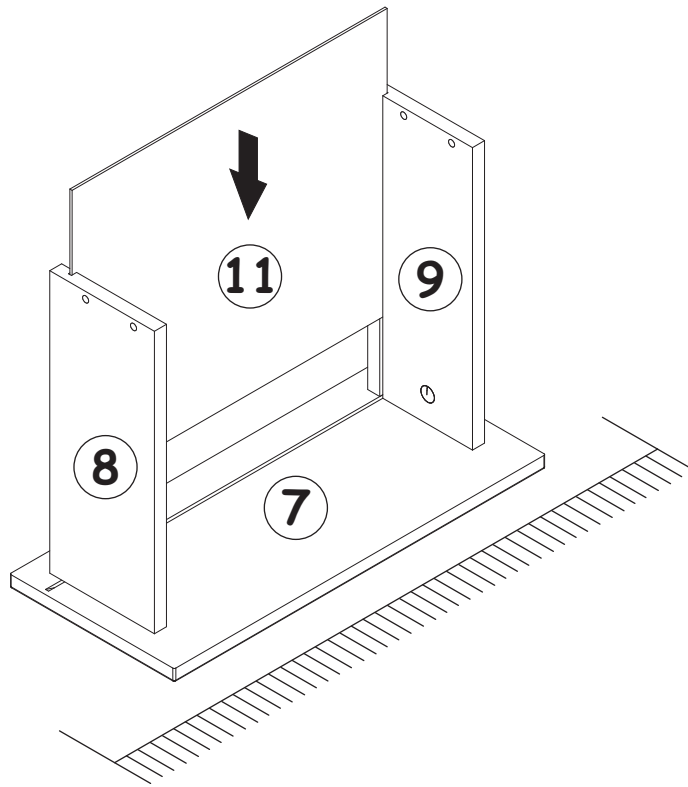
8

G5

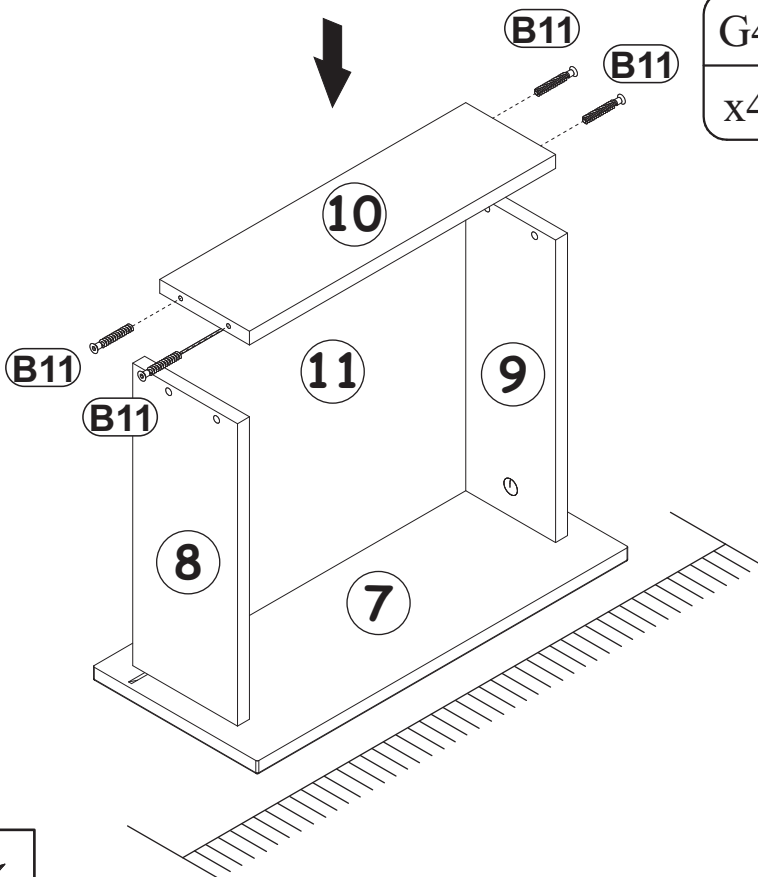
x2





9

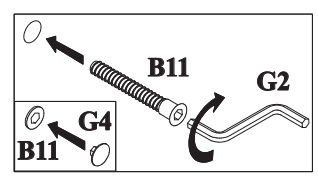
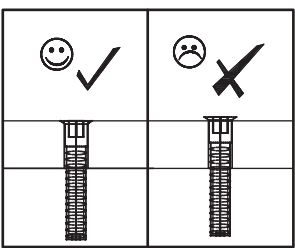


10

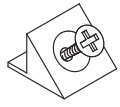


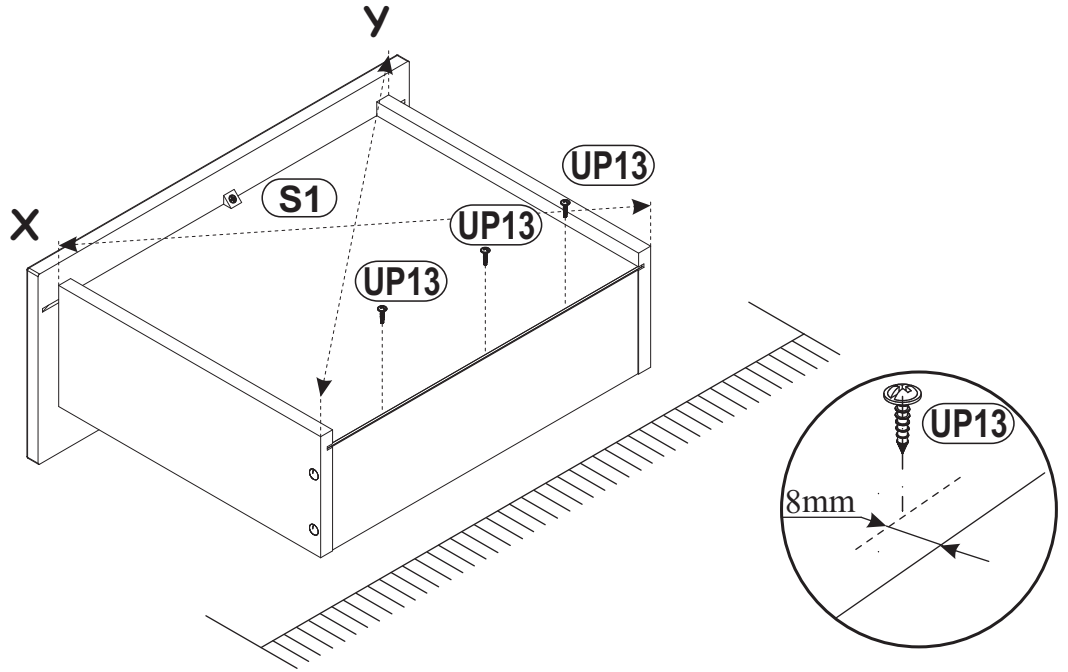
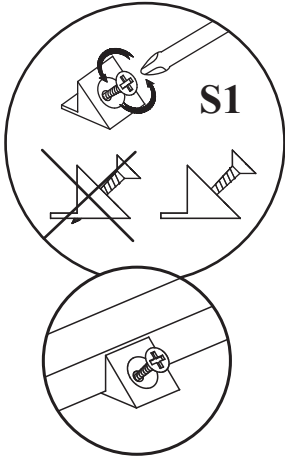
G4	
x4	c

B11	Ø9/32"x1 31/32"
x4	 Ø7x50



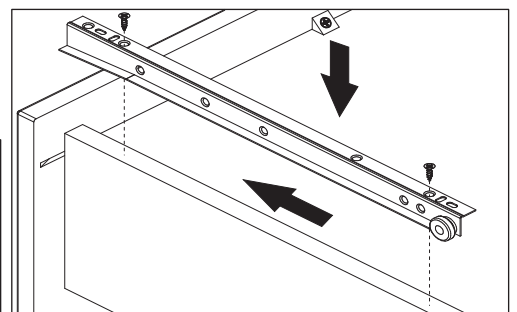
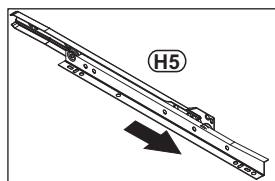
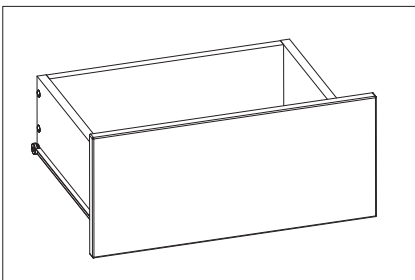
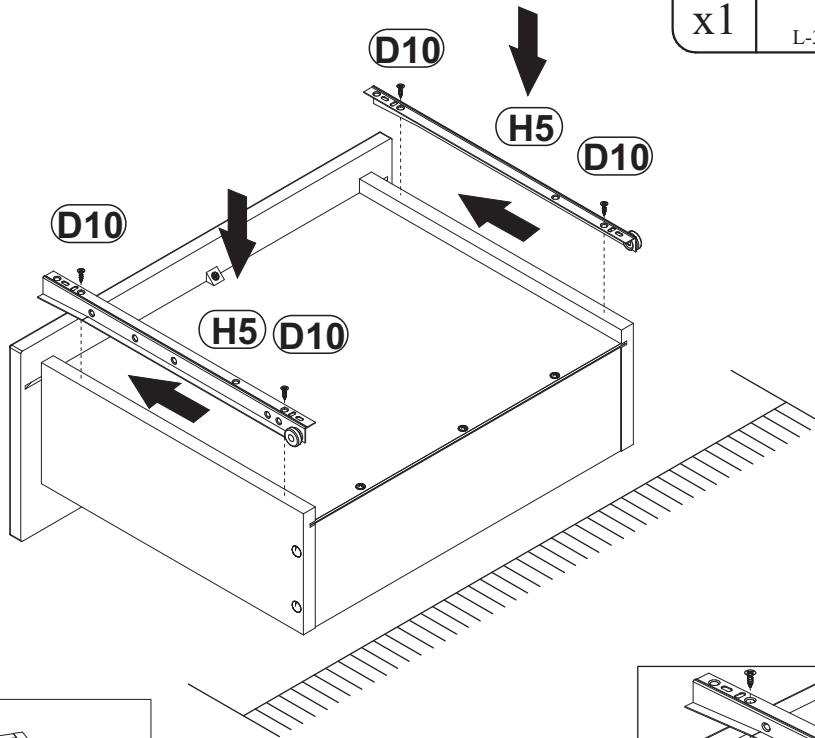
11

S1		UP13	US01/8"x5/8"
x1		x3	UP03x16




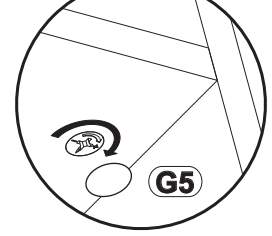
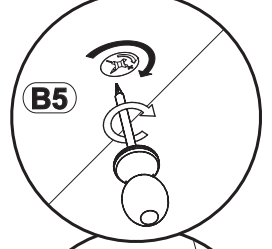
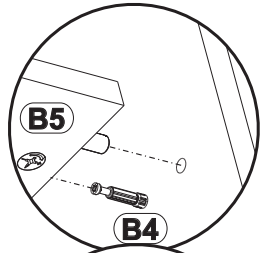
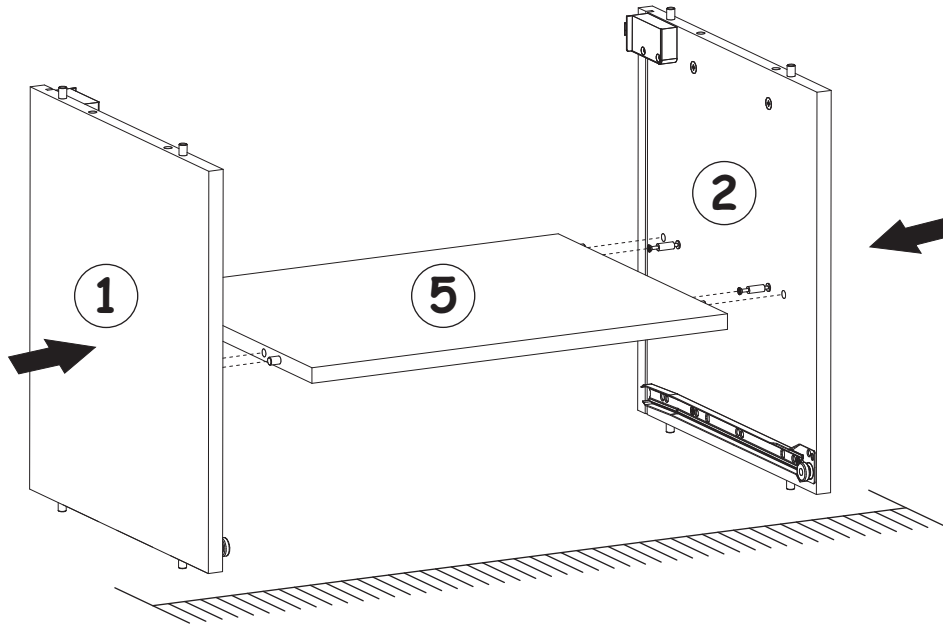
12

H5	L-13 25/32"	D10	US09/64"x33/64"
x1	L-350mm.	x4	US03,5x13




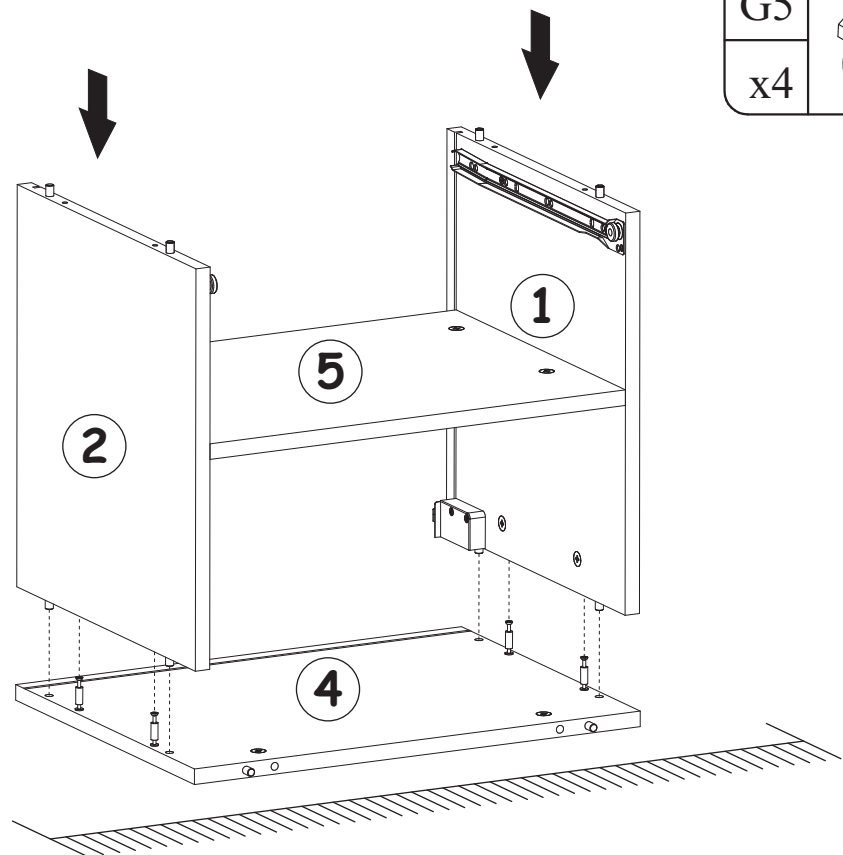
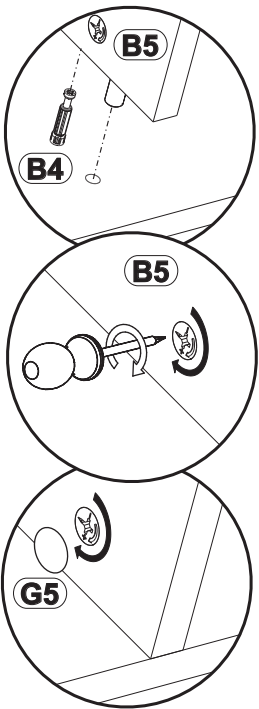
13

G5	
x4	

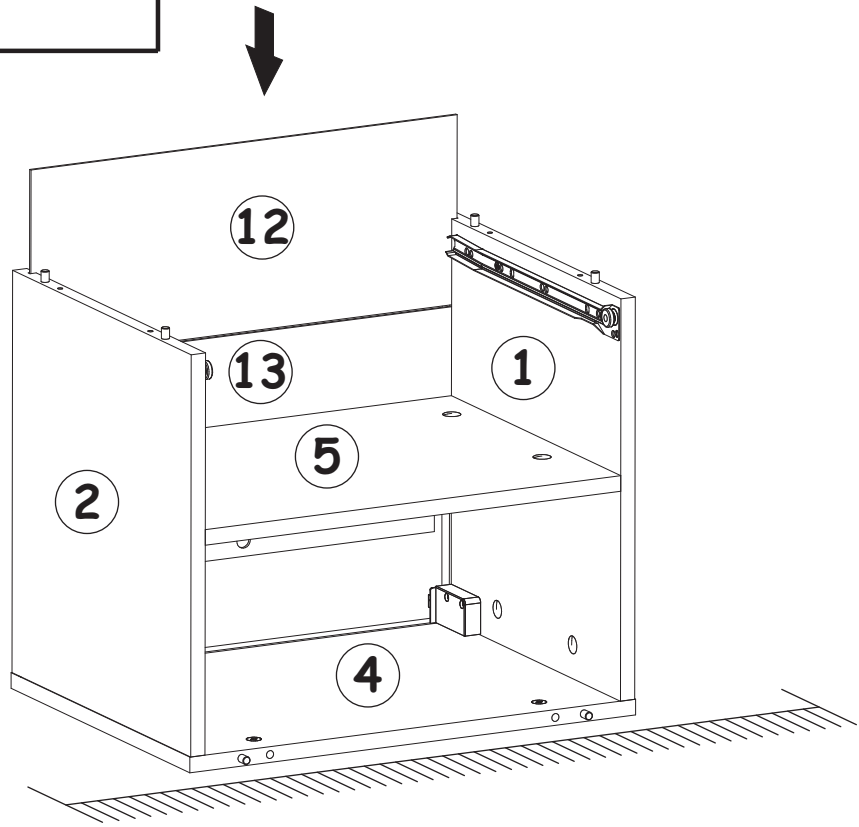


14

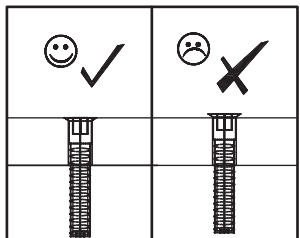
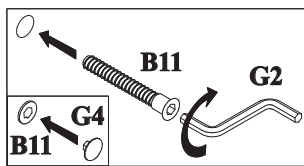
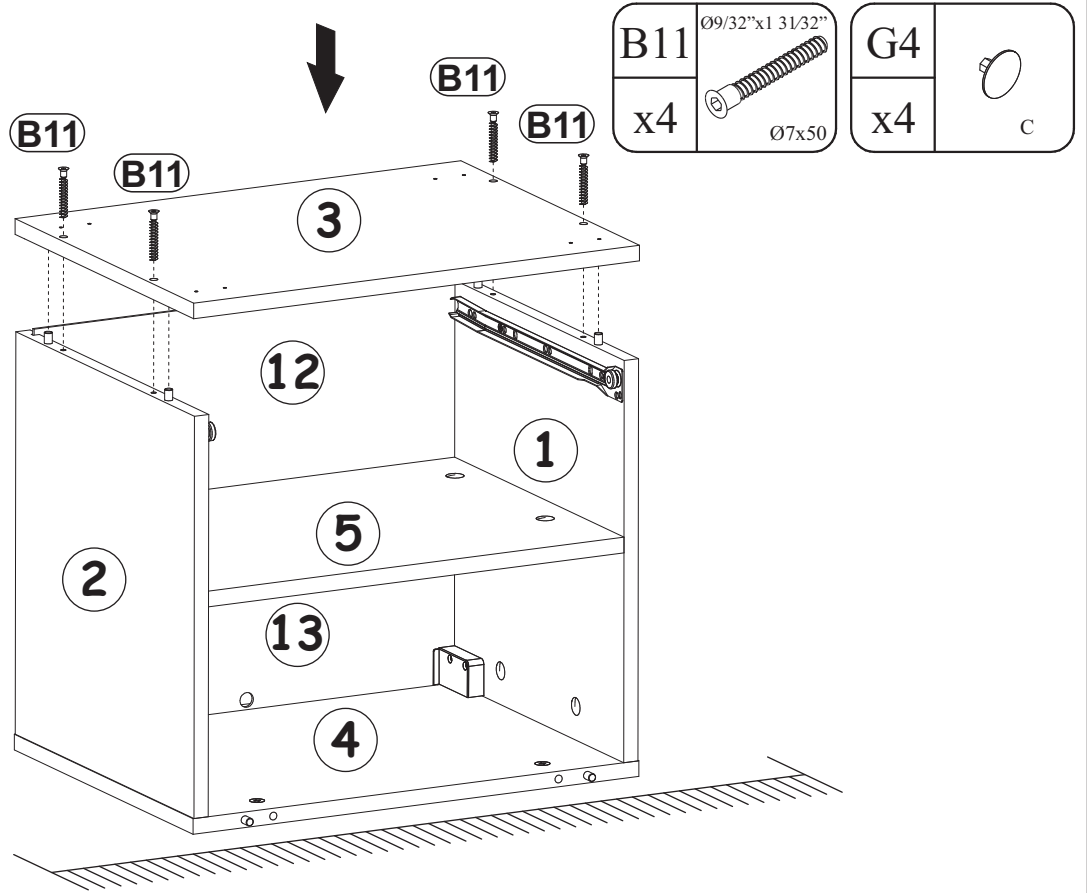
G5	
x4	



15

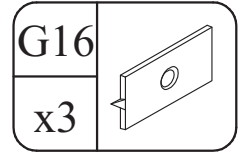
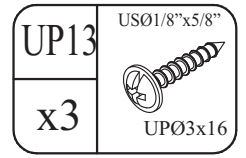
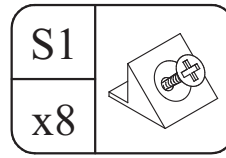
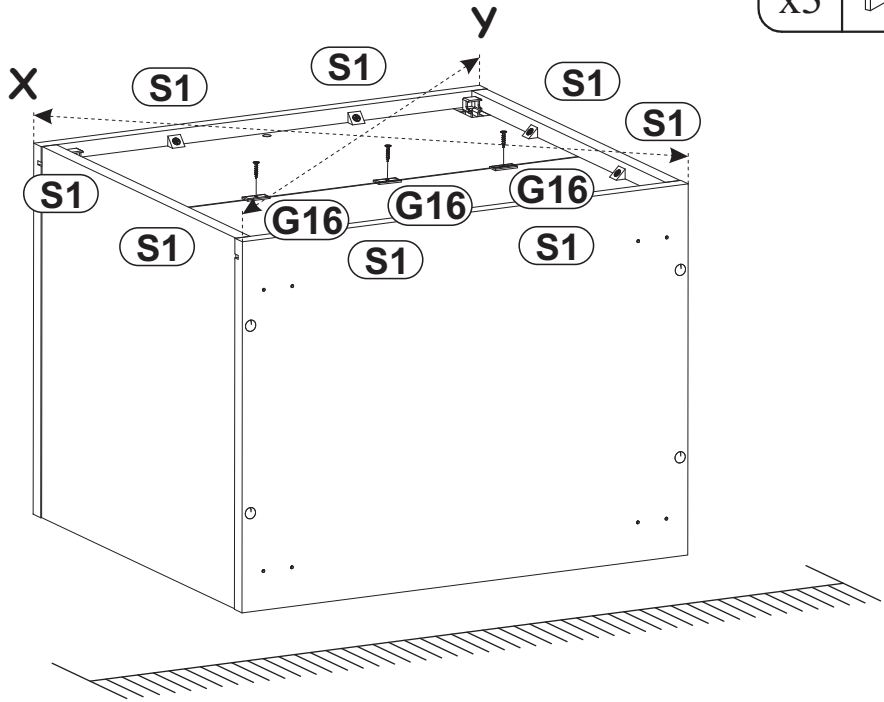
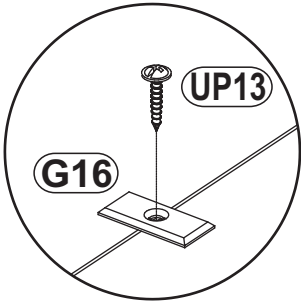
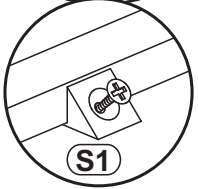
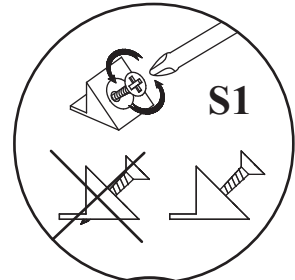


16

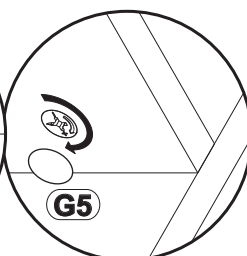
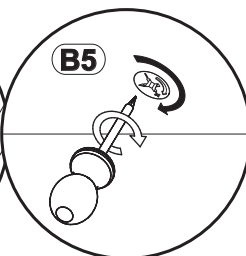
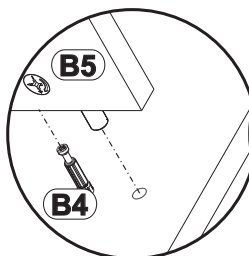
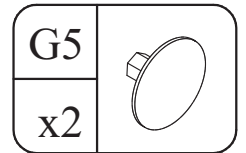
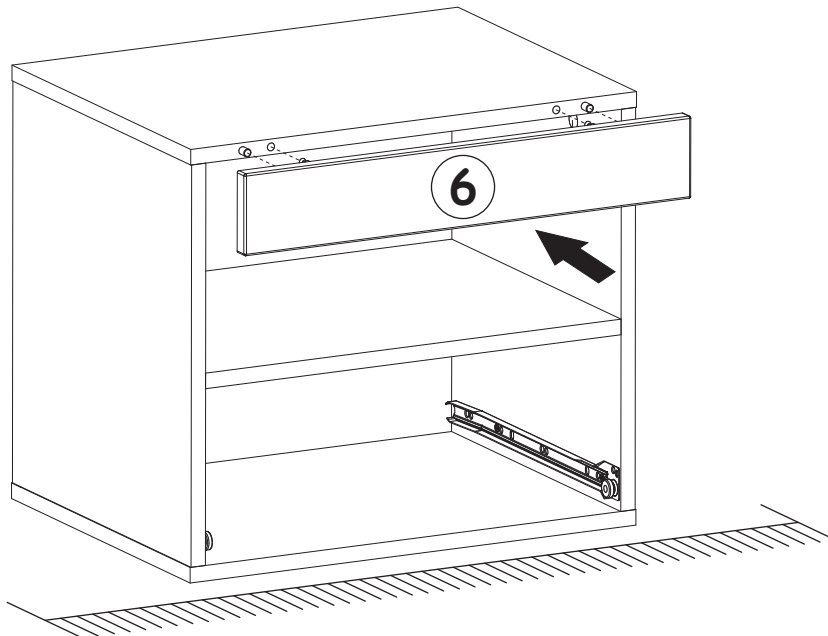


B11

17

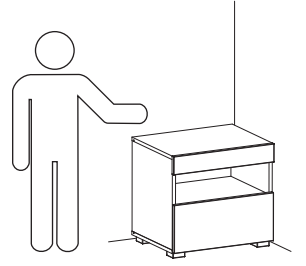


18

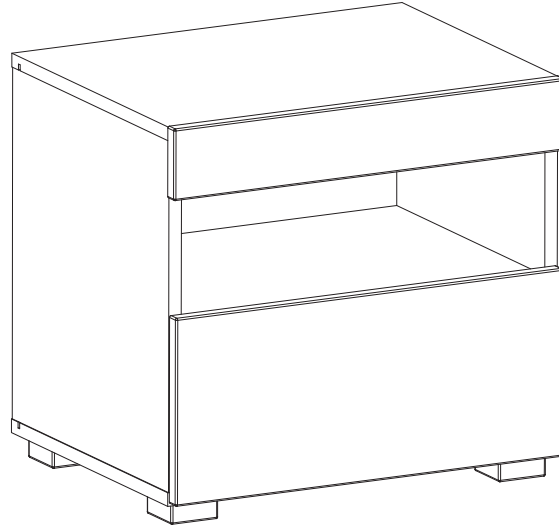


VIV

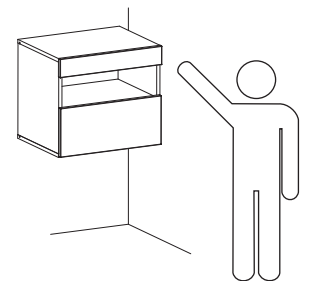
FLOOR STANDING OPTION ONLY!



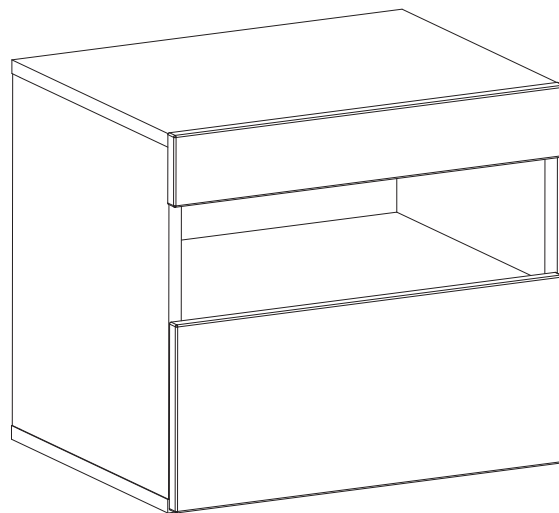
19 - 21



WALL MOUNTED OPTION ONLY!



22 - 24

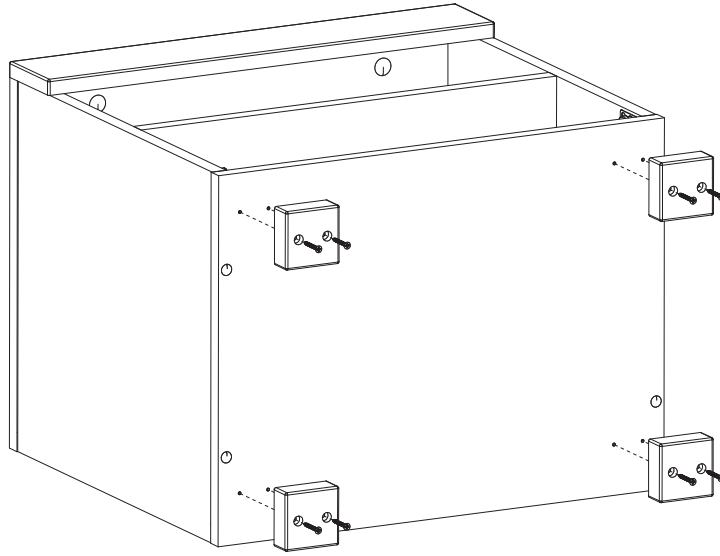
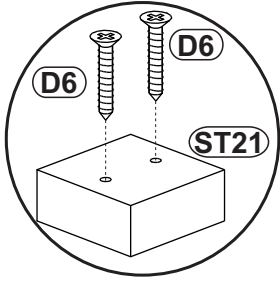


D6	USØ9/64"x1 3/16"
x8	USØ3,5x30

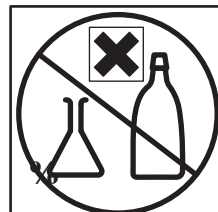
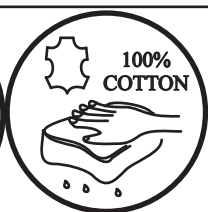
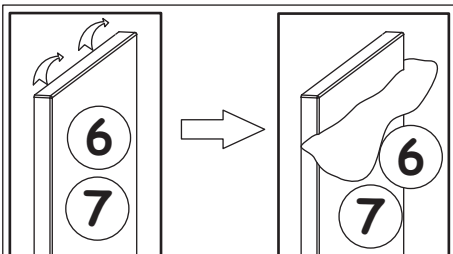
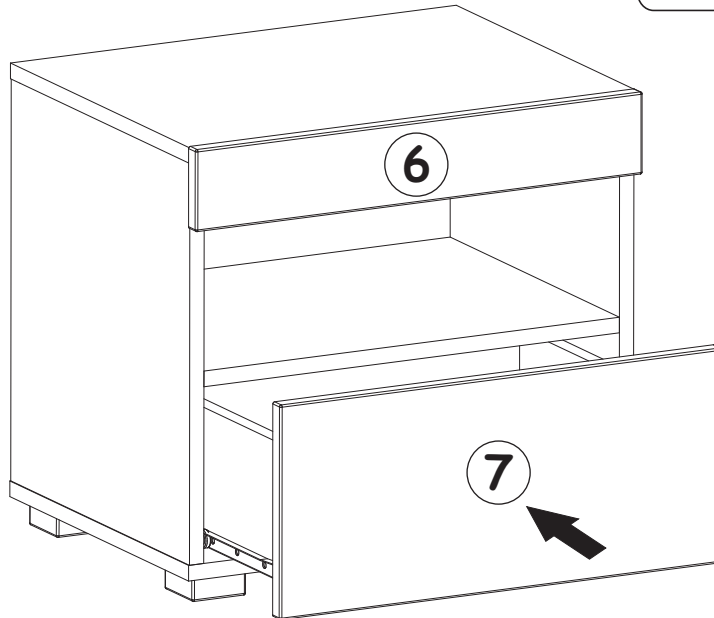
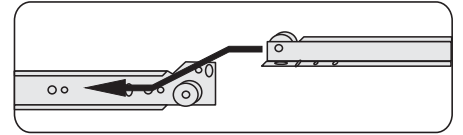
ST21	2 23/64"x 2 23/64"x63/64"
x4	60x60x25

19

FLOOR STANDING OPTION ONLY!

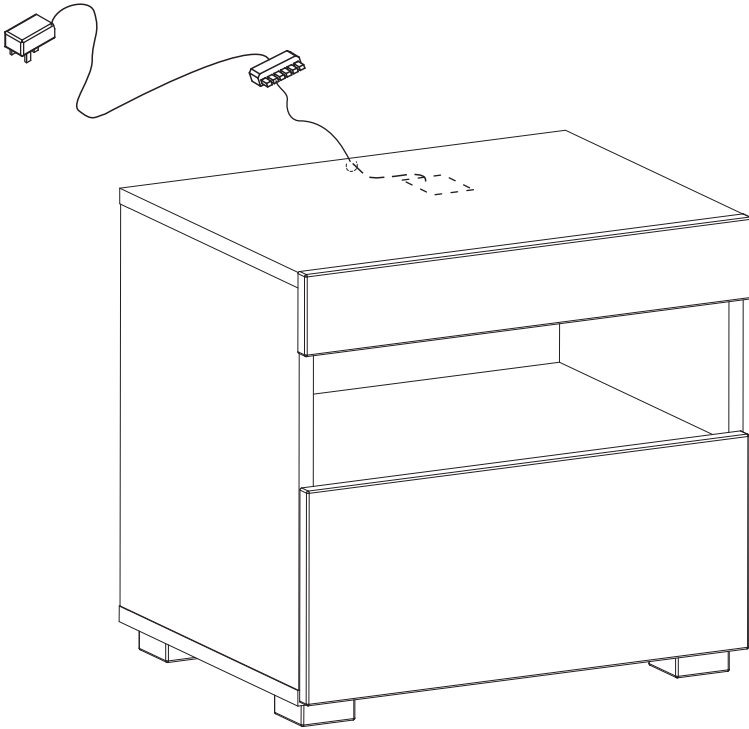


20

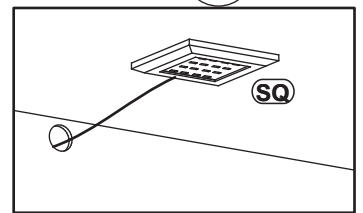
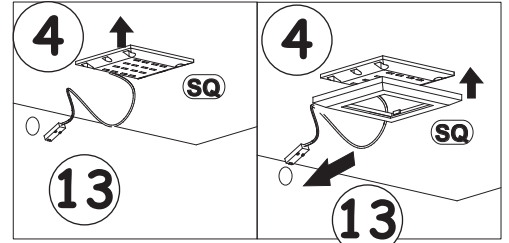
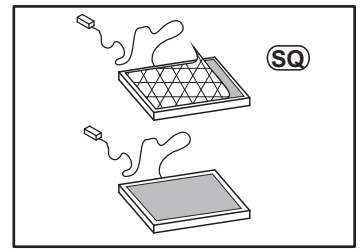


VIV

21

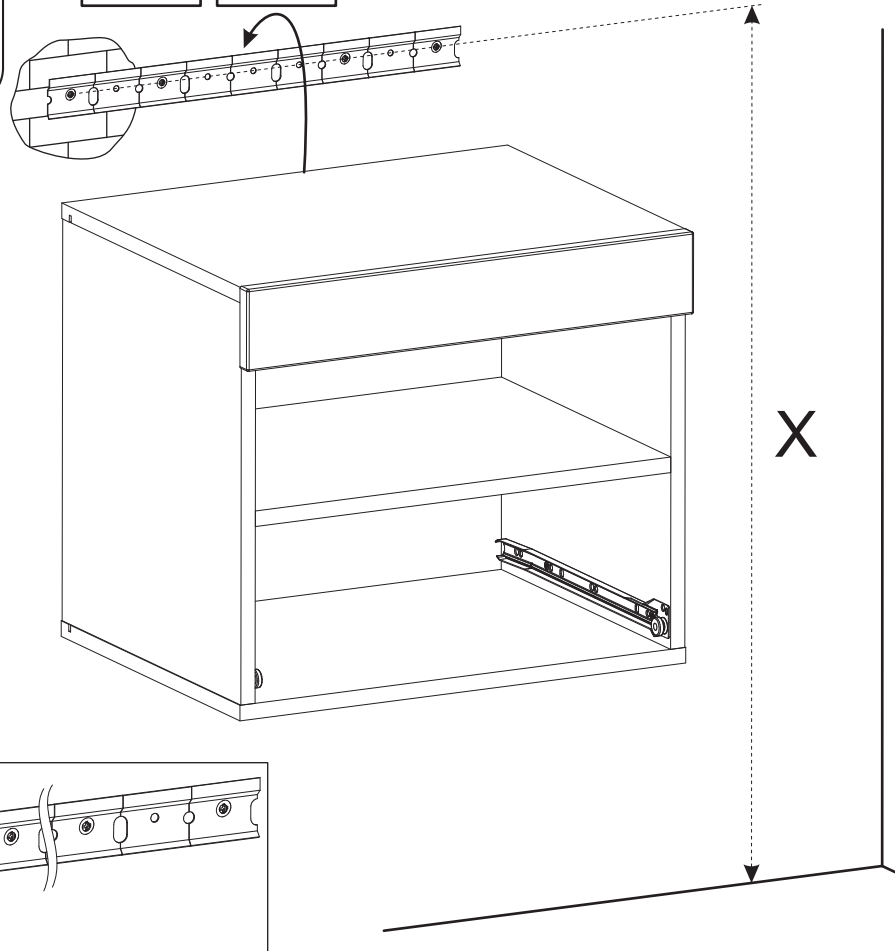
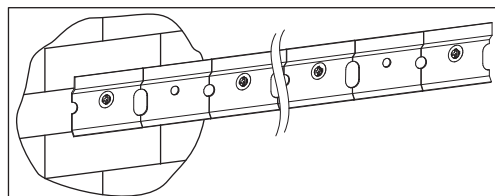
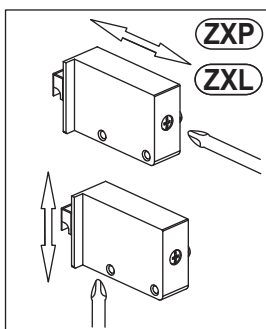
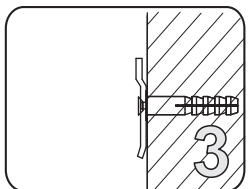
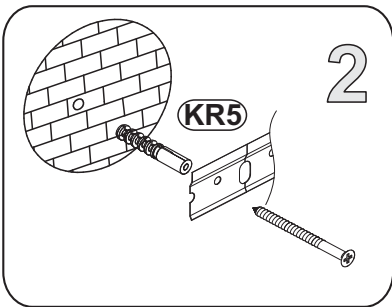
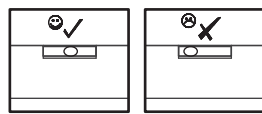
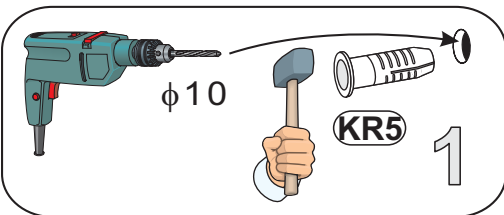


LZ3		LED	
x1		x1	



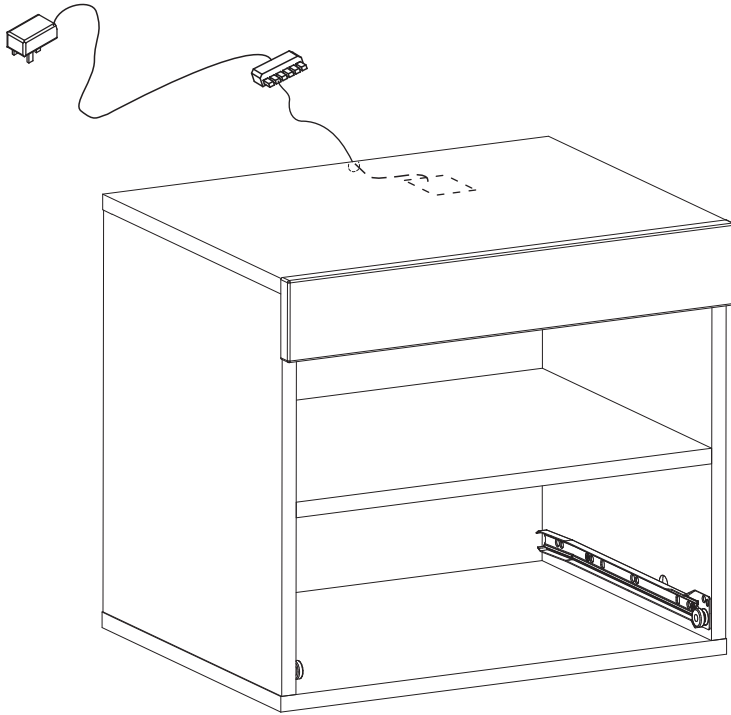
22 WALL MOUNTED OPTION ONLY!

KR5 SFXP		SZ9	
x4	$\text{Ø } 25/64'' \times 1 \text{ } 31/32''$ $\times 2 \text{ } 23/64''$ $\text{Ø } 10/50 \times 60$	x1	$L = 18 \text{ } 3/16''$ $L = 462 \text{ mm}$

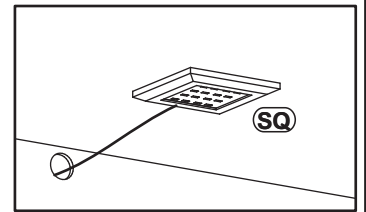
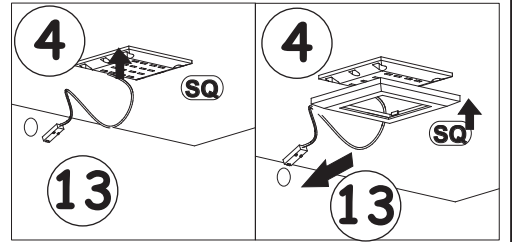
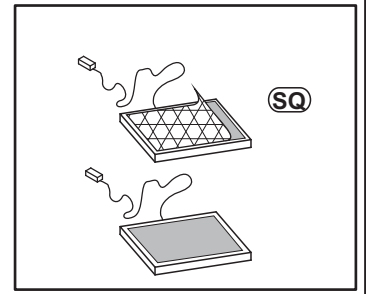


VIV

23



LZ3		LED	
x1		x1	



24

