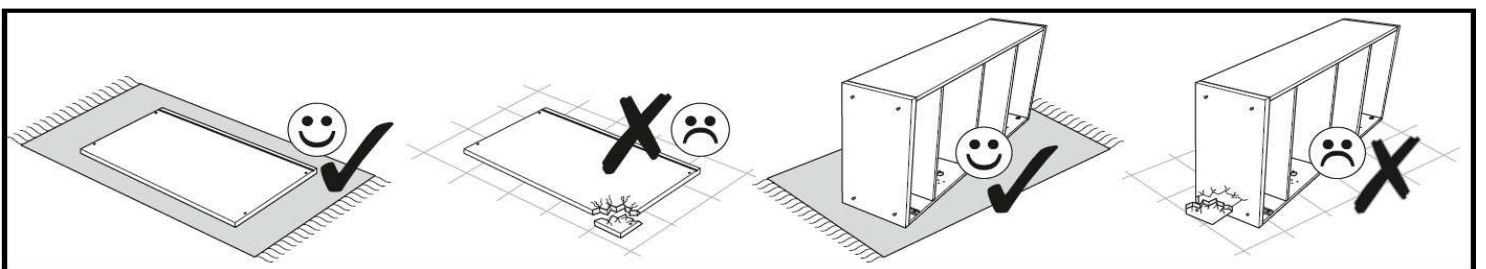
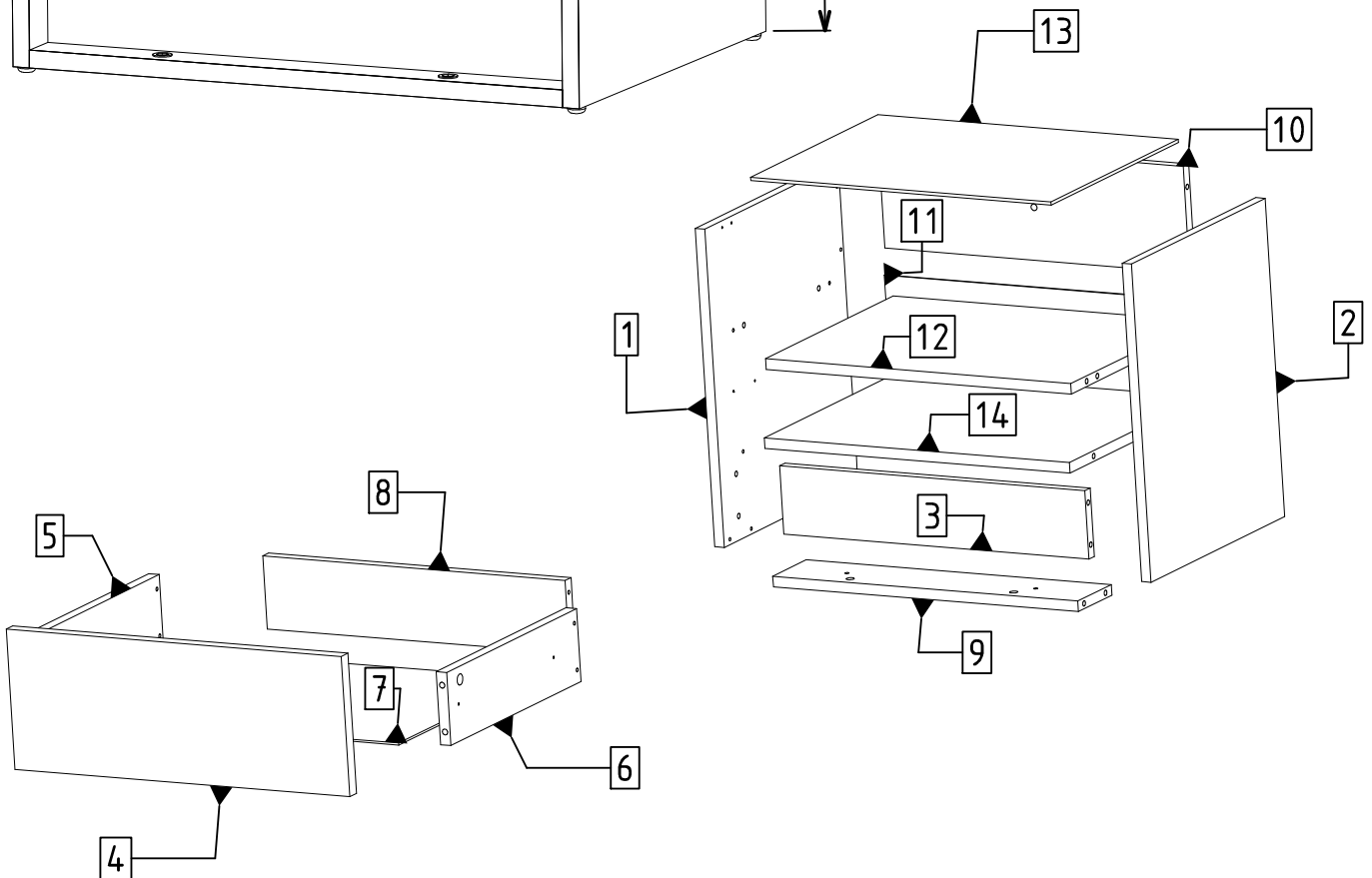
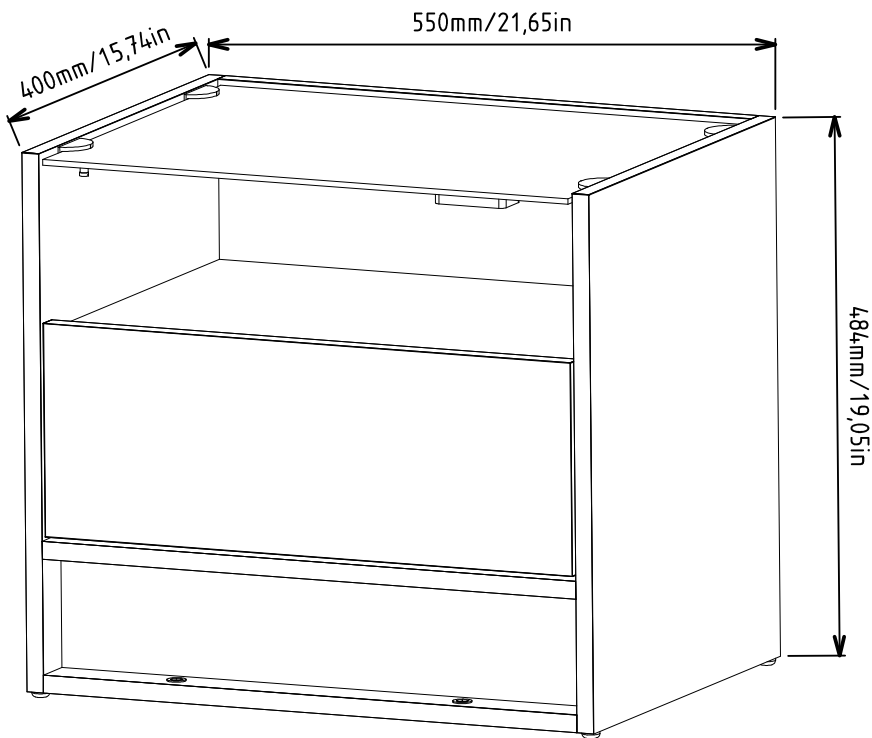


VISION

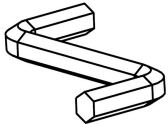
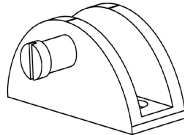
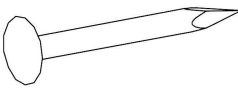
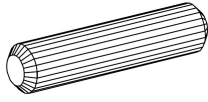
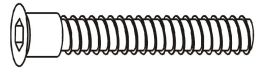

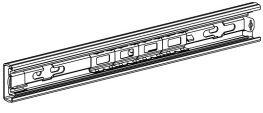

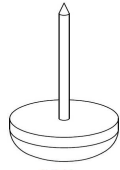
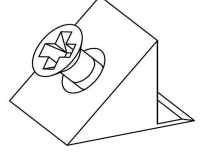
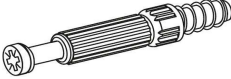
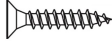
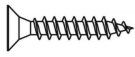
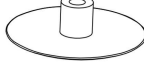
VISION05

OP-95



## Table accessories

### VISION05

 <b>A1</b> 15 x 12	 <b>BS</b> L350	 <b>G</b> L350	8 x 30  <b>K</b>	6,3 X 50  <b>KN</b>
 <b>M</b> 6 x 34 mm	 <b>PKR</b> 4 x 16	 <b>PWK</b> 3 x 16mm	 <b>SL</b>	 <b>ST</b>
 <b>T</b>	 <b>W16</b>	 <b>W3</b>	 <b>Z</b>	

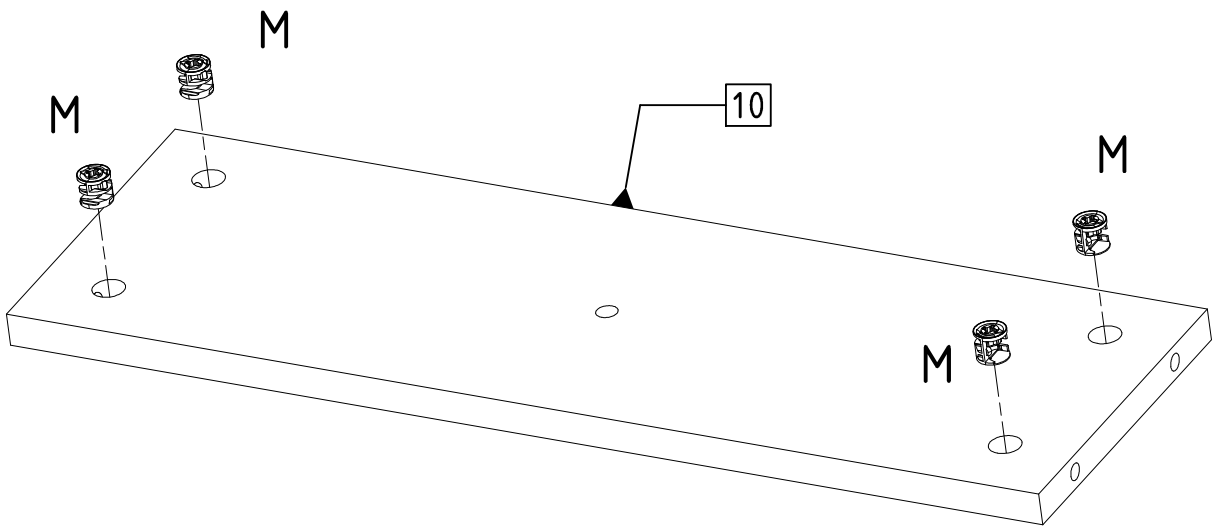
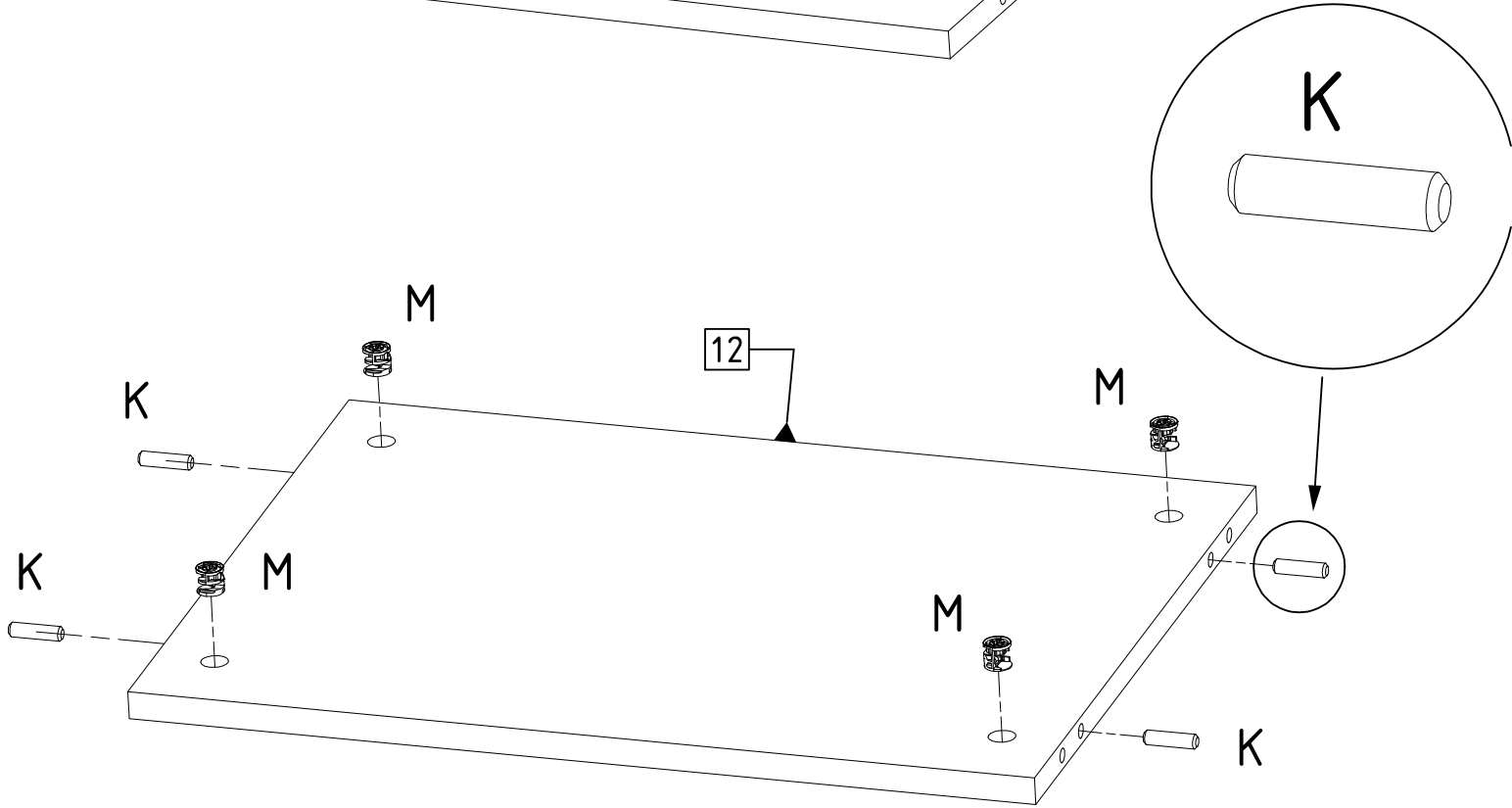
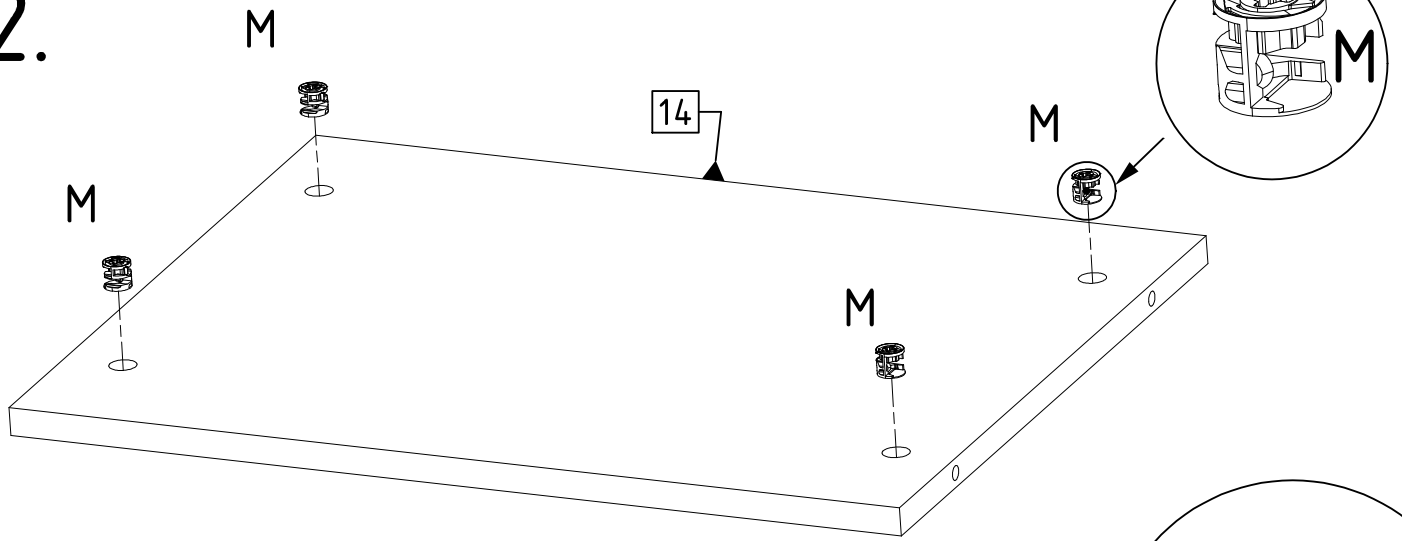
Elements				Accessories	
SYMBOL	LENGTH	WIDTH	QUANTITY	SYMBOL	QUANTITY
BL [1]	19.06	15.75	1	A1	1
BP [2]	19.06	15.75	1	BS	4
CD [3]	20.35	4.09	1	G	21
FTS [4]	20.12	7.56	1	K	10
KBL [5]	13.78	3.94	1	KN	6
KBP [6]	13.78	3.94	1	M	18
KD [7]	19.25	13.94	1	PKR [L=350]	2
KT [8]	18.15	3.94	1	PWK [L=350]	2
LD [ 9]	20.35	3.94	1	SL	5
P1 [10]	20.35	6.38	1	ST	3
PC [11]	21.38	7.72	1	T	18
PPO [12]	20.35	15.04	1	W16	8
PS [13]	20.04	15	1	W3	10
WD [14]	20.35	15.75	1	Z	18



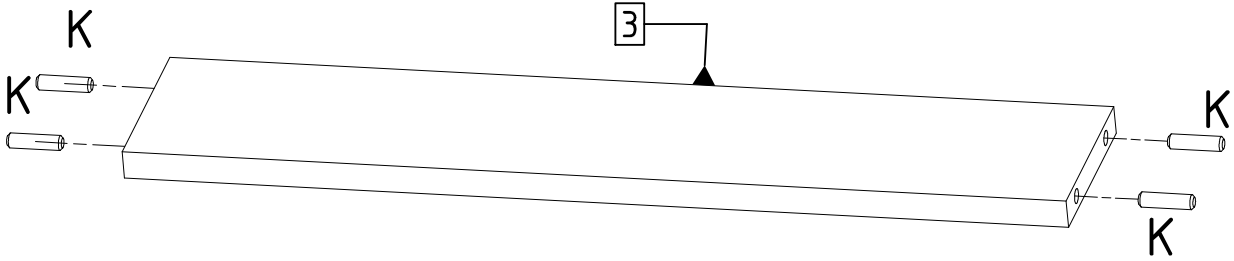
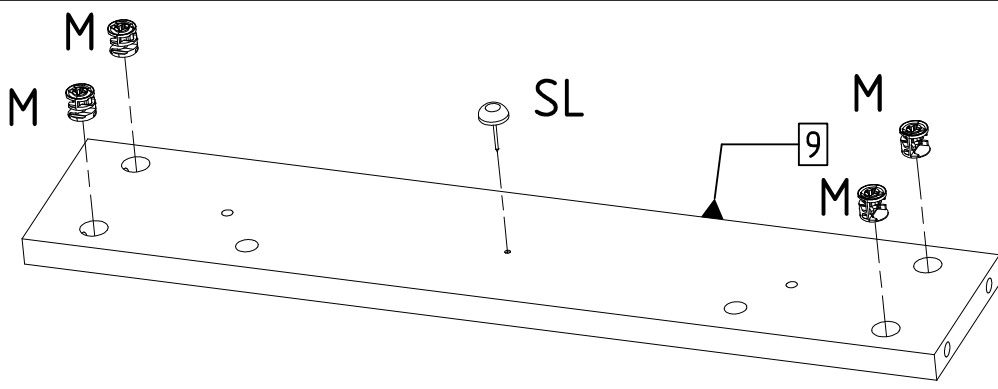
SCAN THIS QR CODE FOR  
INSTRUCTION MANUALS  
AND ASSEMBLY VIDEOS



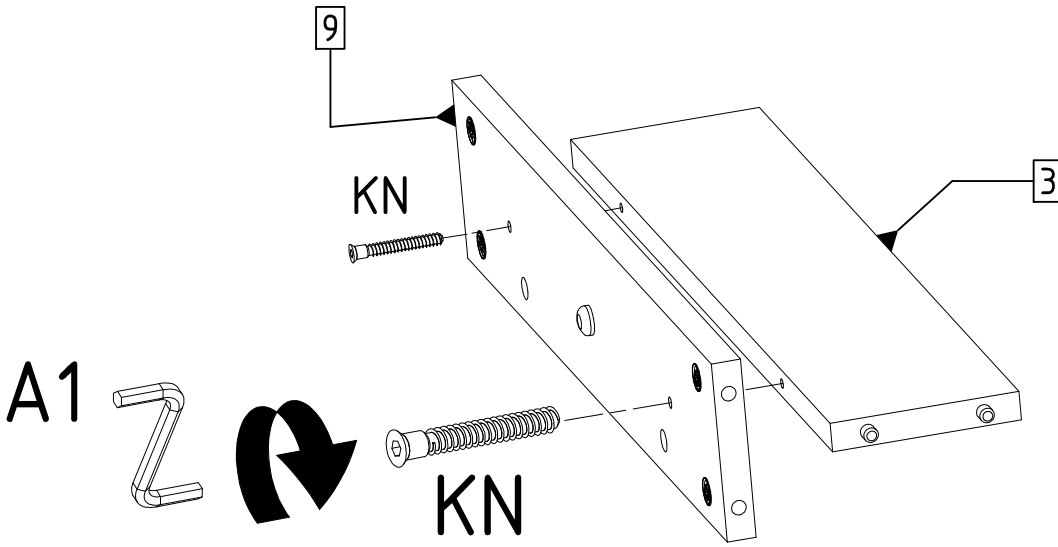
2.



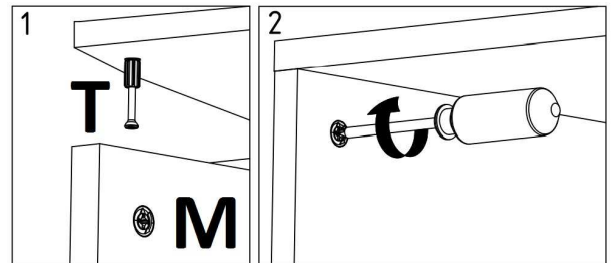
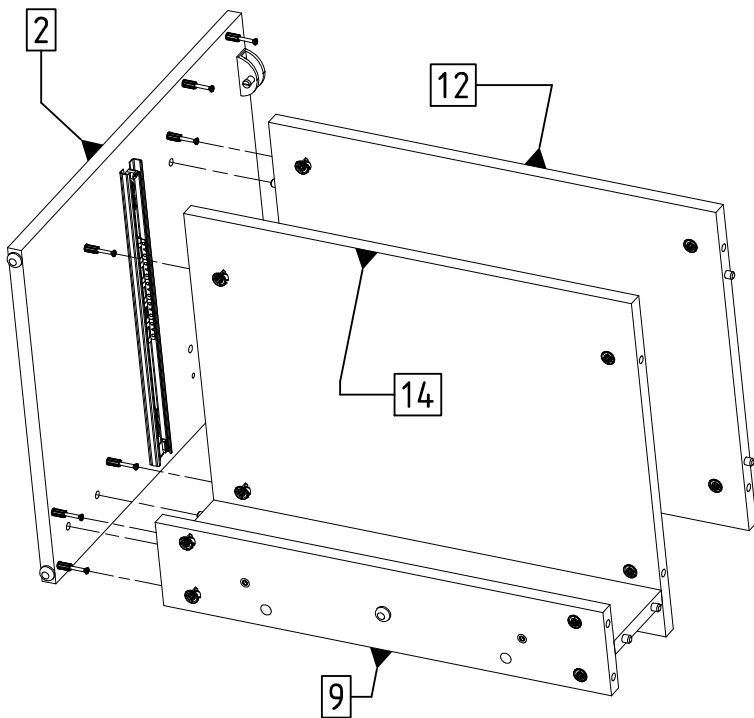
3.



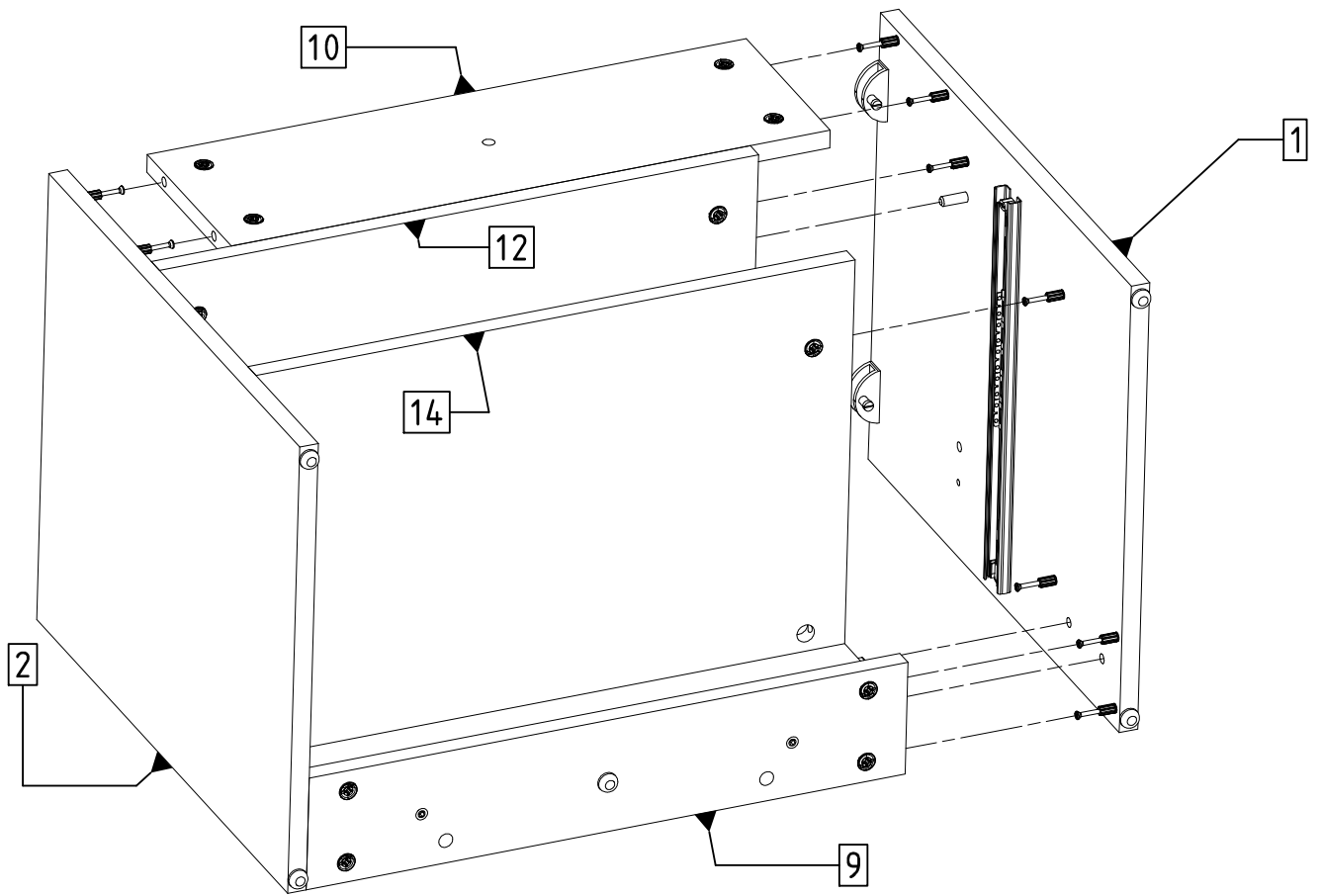
4.



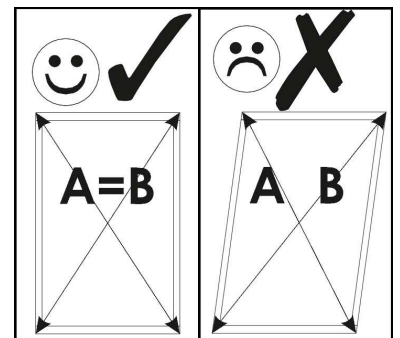
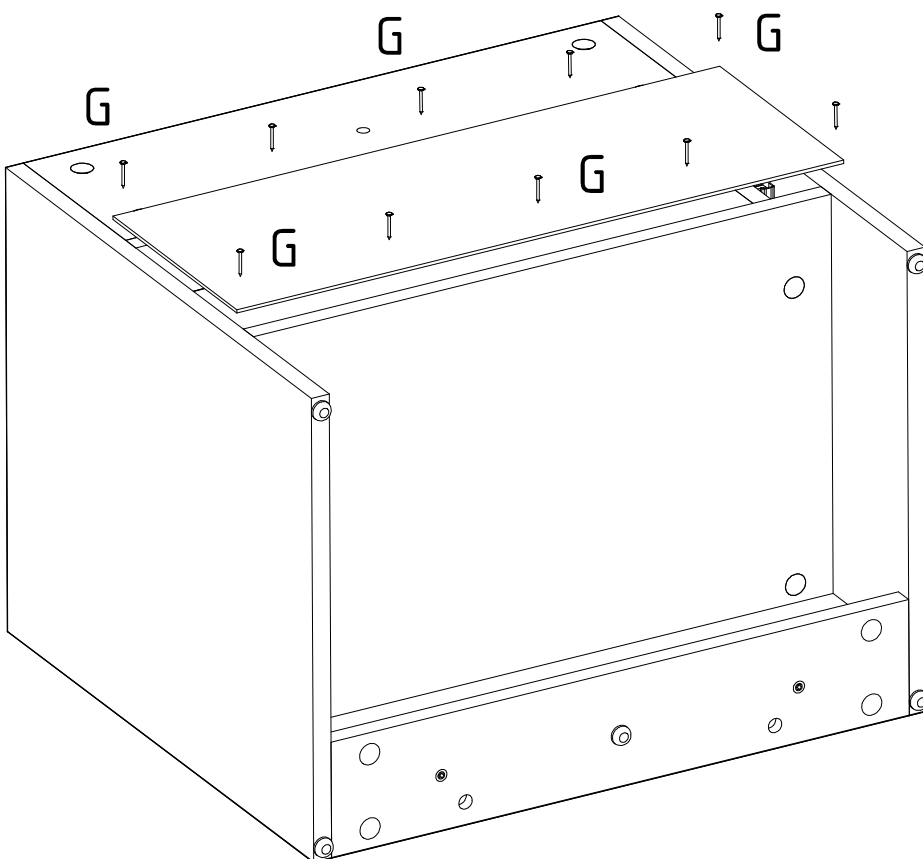
5.



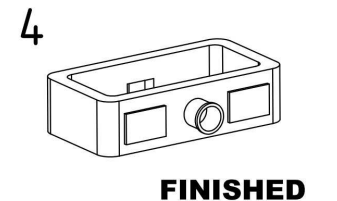
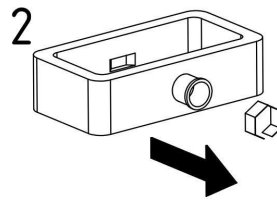
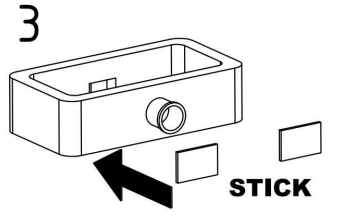
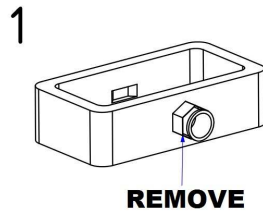
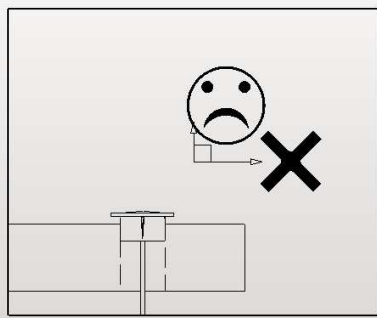
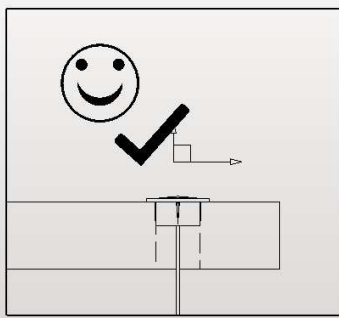
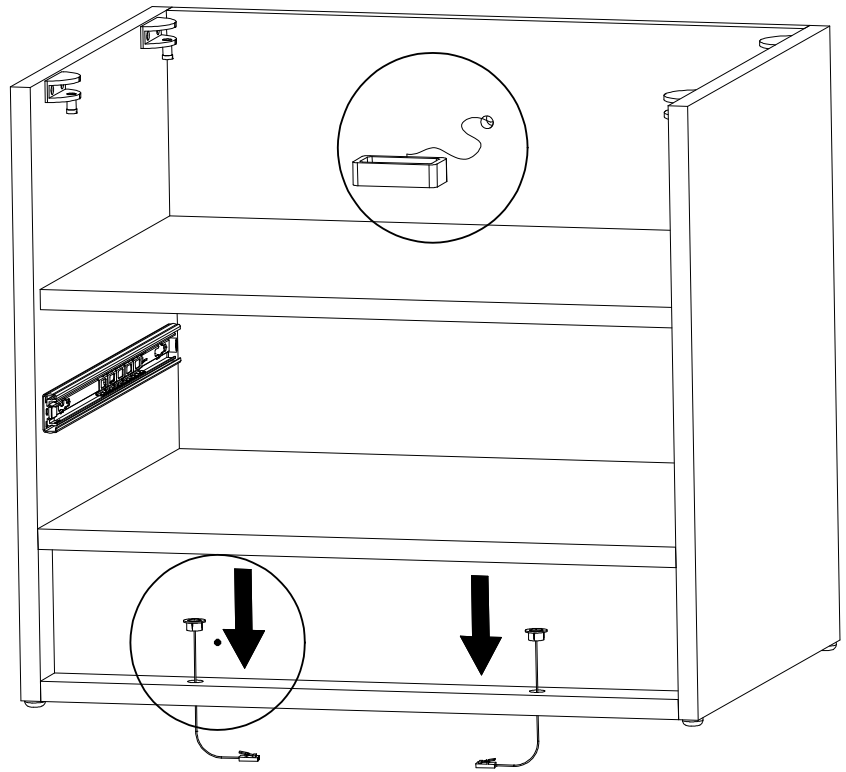
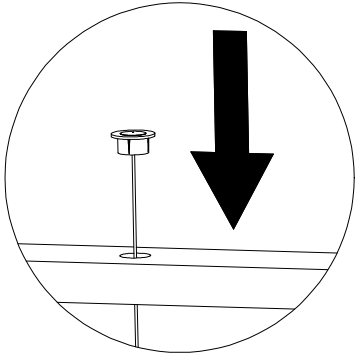
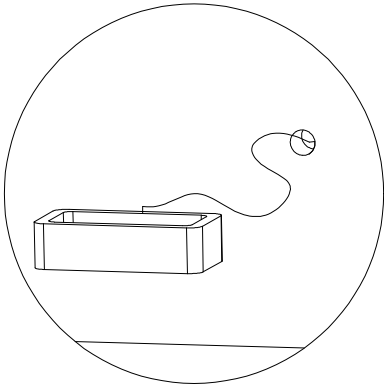
6.



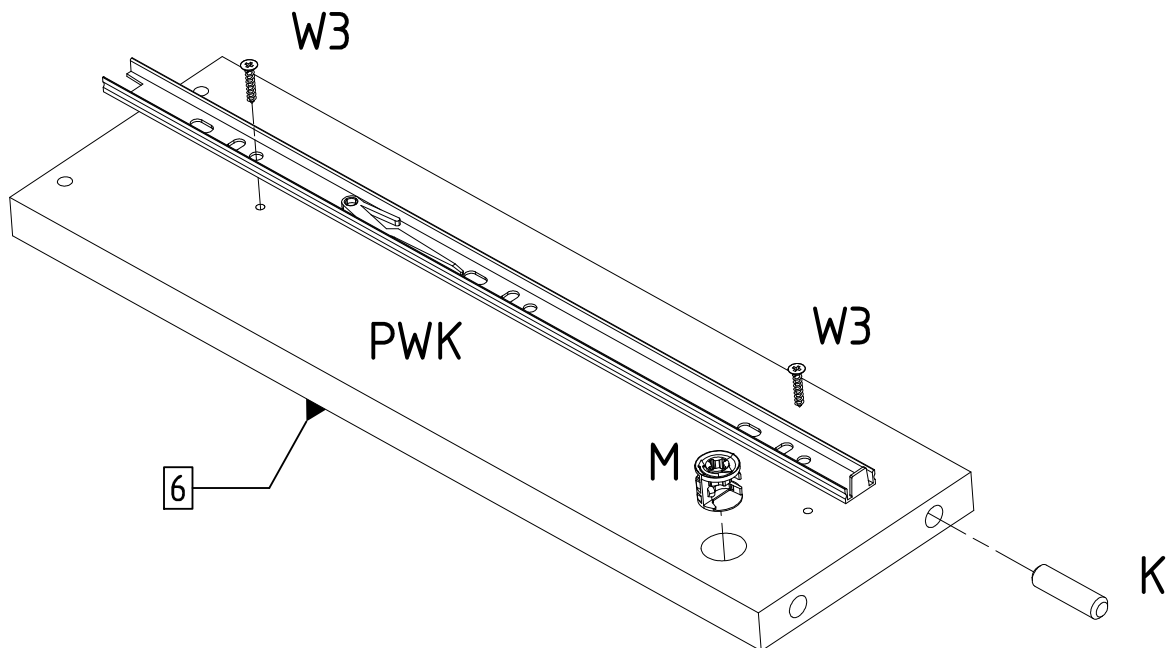
7.

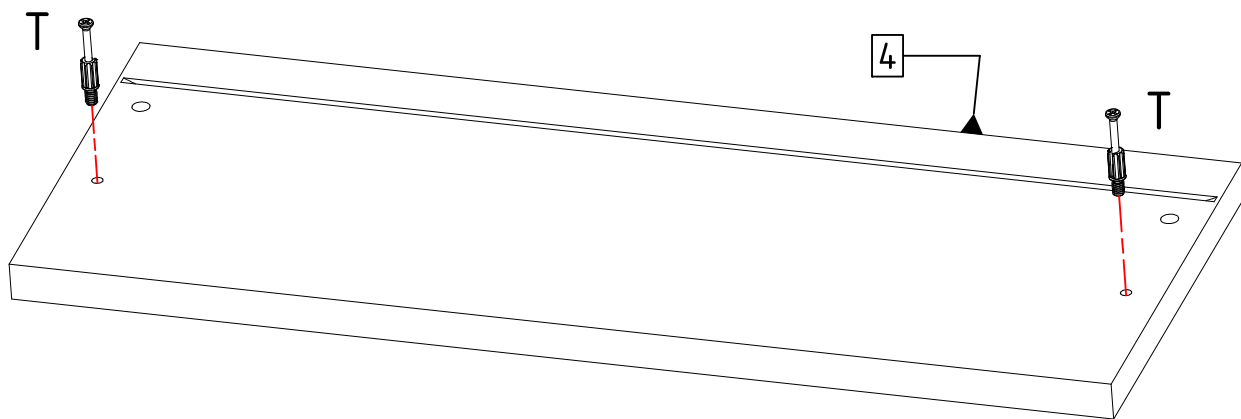
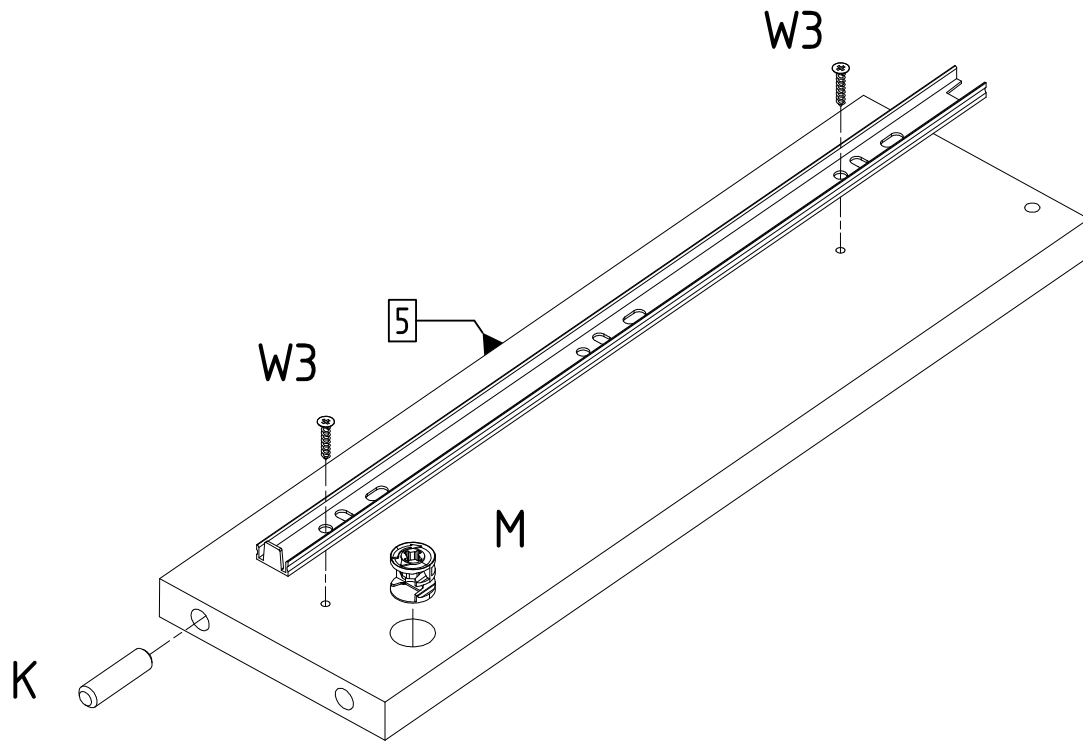


8.

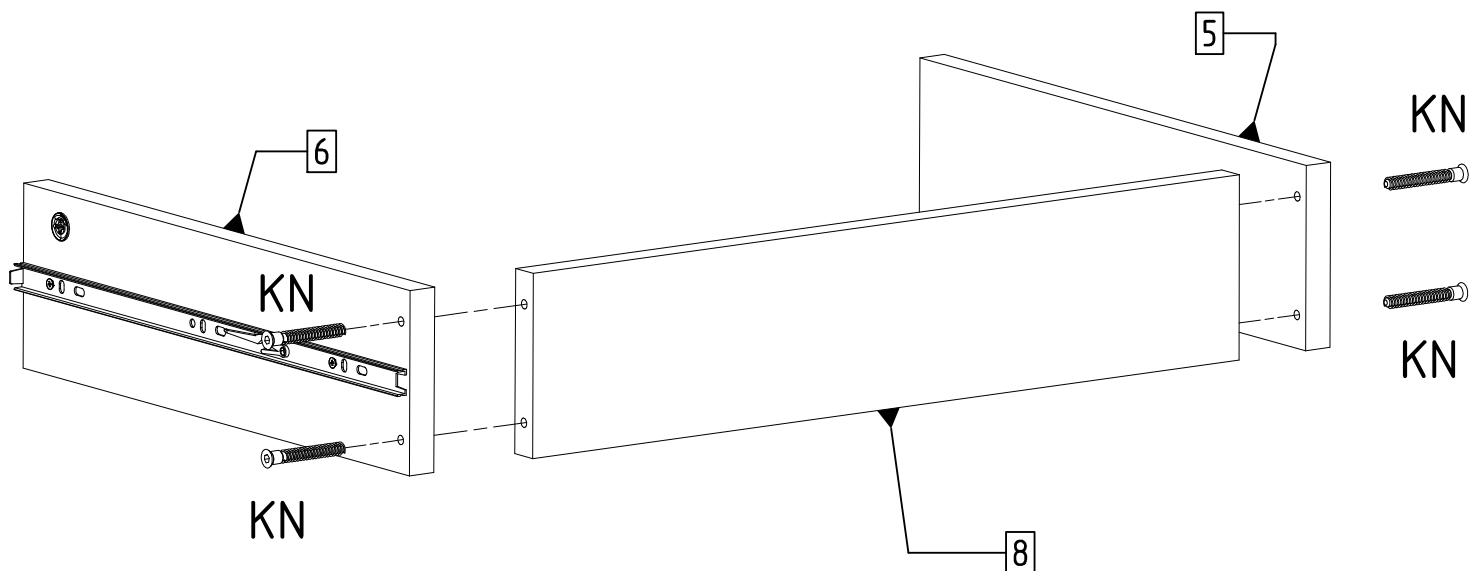


9.



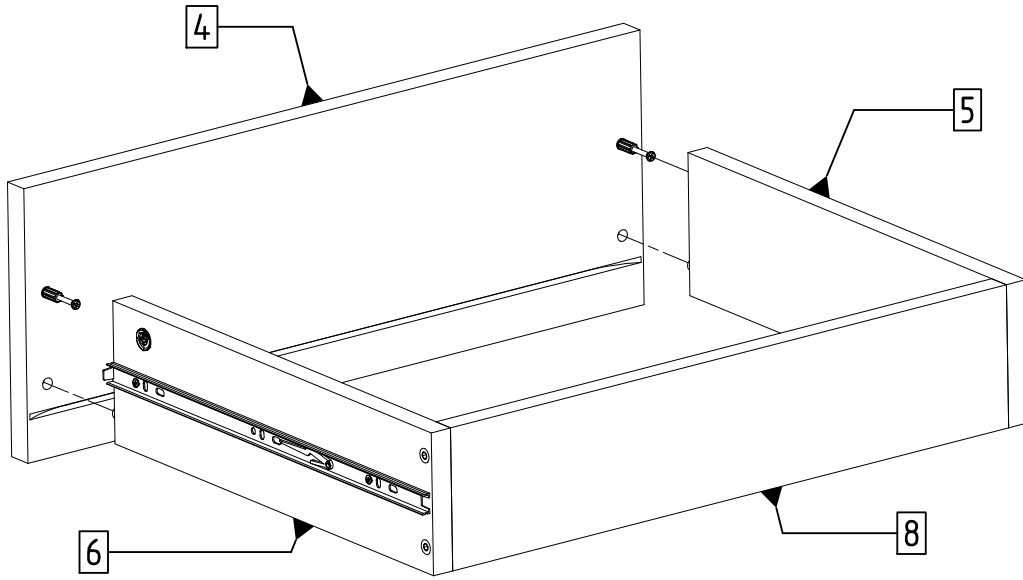


10.

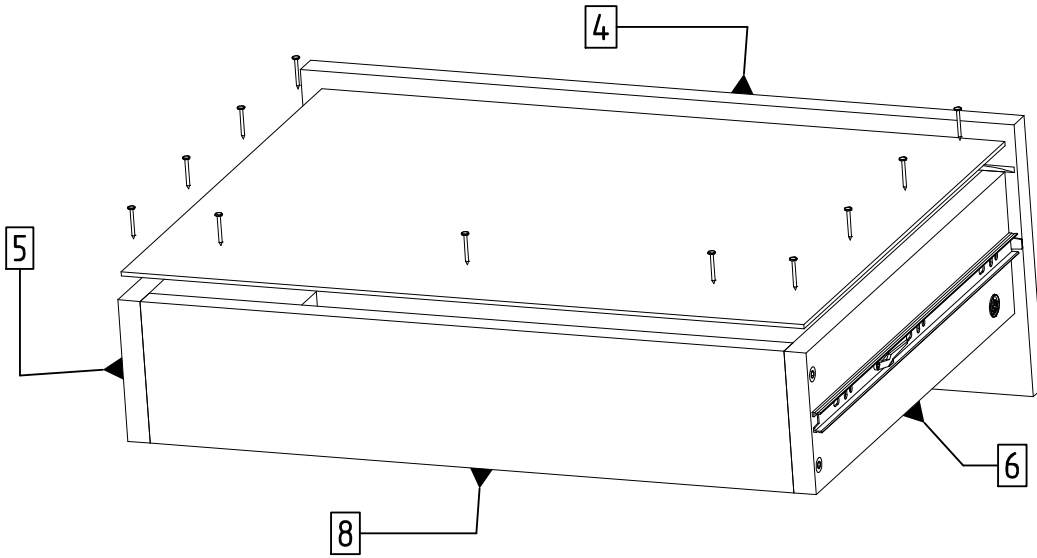




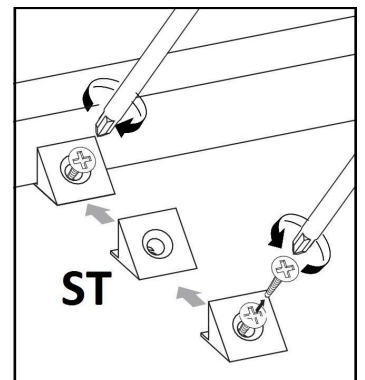
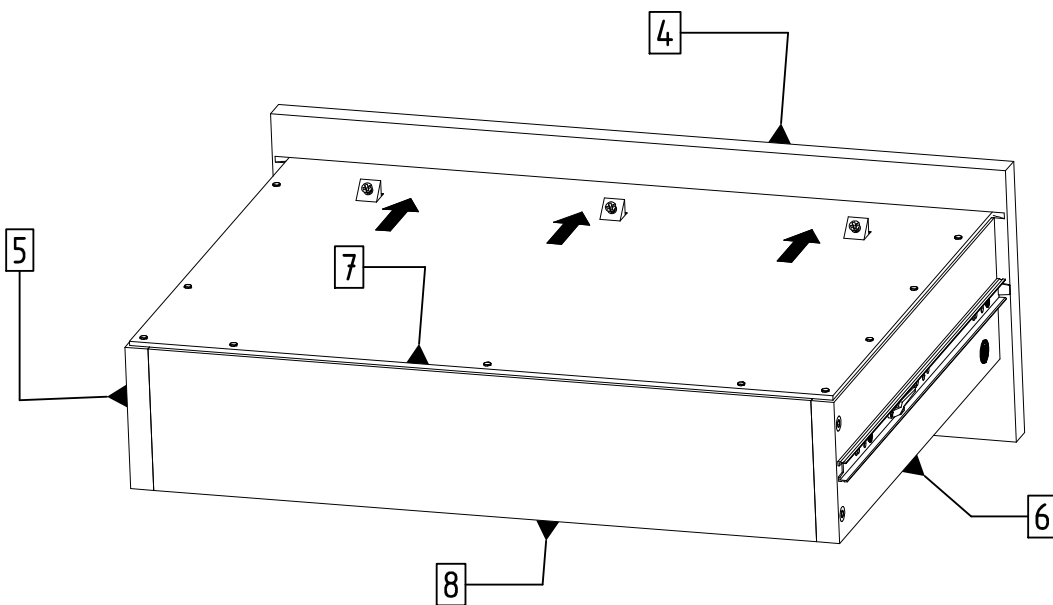
11.



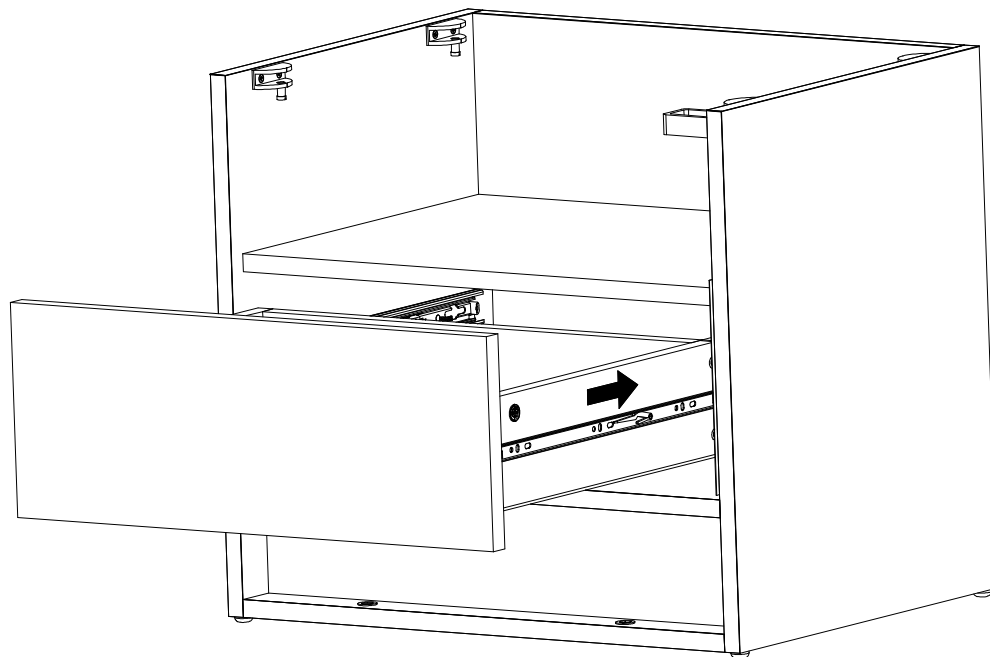
12.



13.



14.



15.

