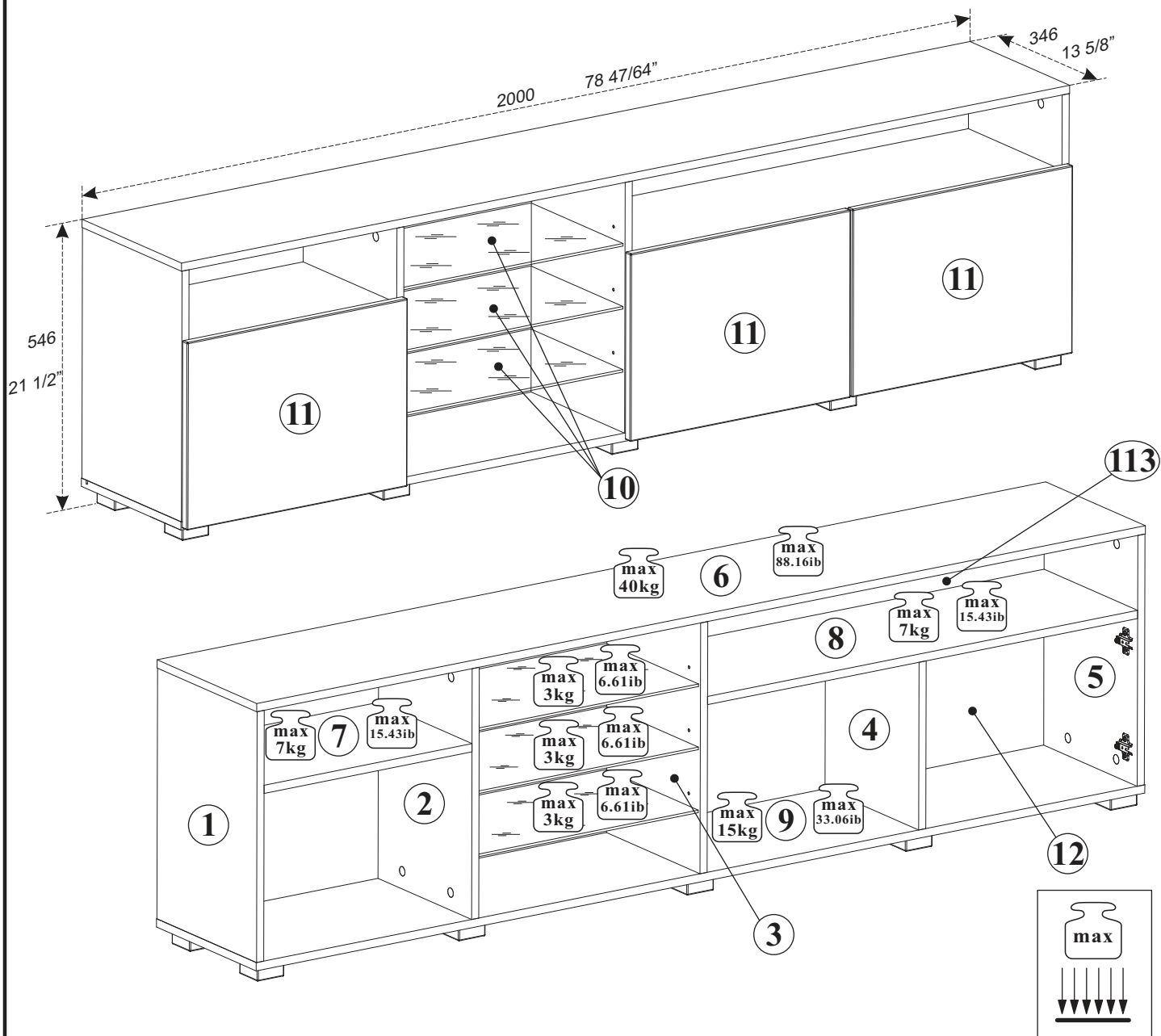


ROMA RTV 3D



NO	Dim			Col.-No	Qty
1	489	330	16	1	1
2	489	310	16	1	1
3	489	310	16	1	1
4	327	310	16	1	1
5	489	330	16	1	1
6	2000	330	16	2	1
7	468	310	16	1	1
8	968	310	16	1	1
9	2000	330	16	2	1
10	496	300	5	1	3
11	496	366	16	1	3
12	1978	251	3	2	1
113	1978	251	3	2	1

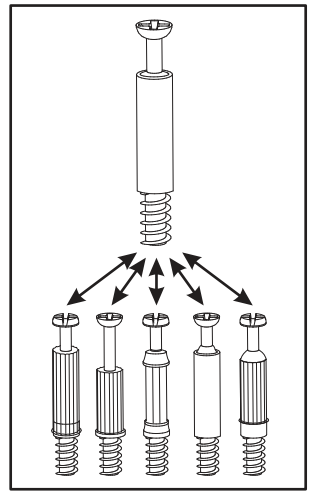
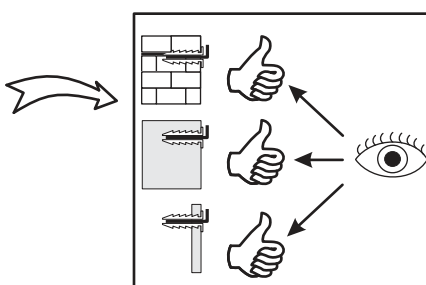
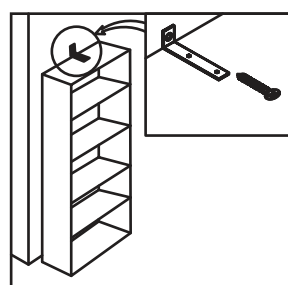
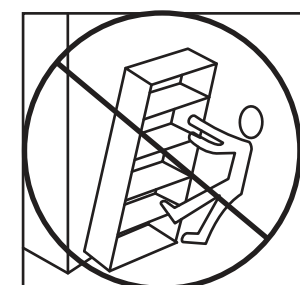
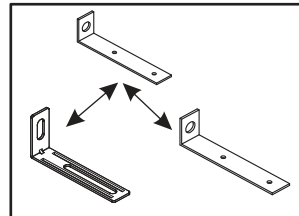
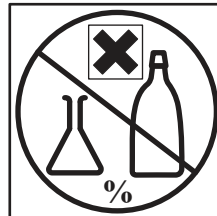
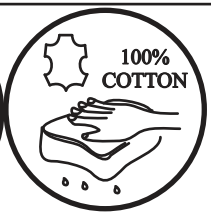
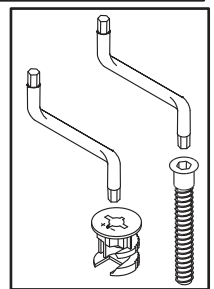
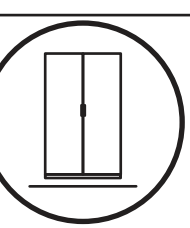
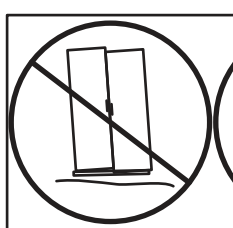
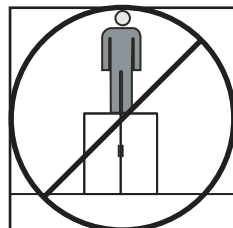
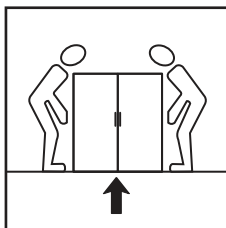
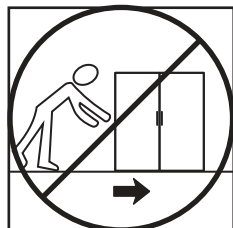
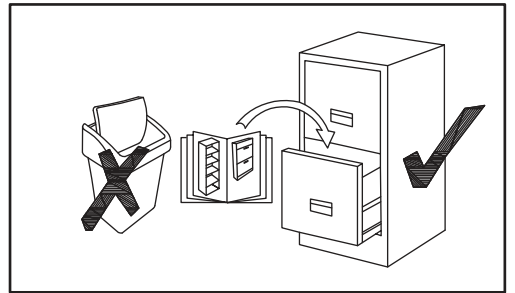
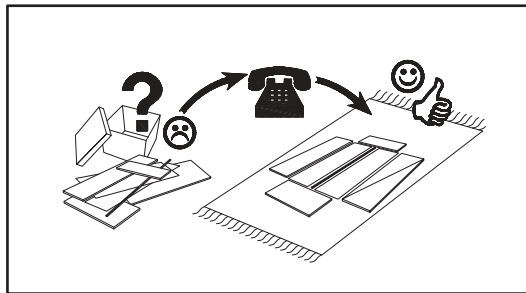
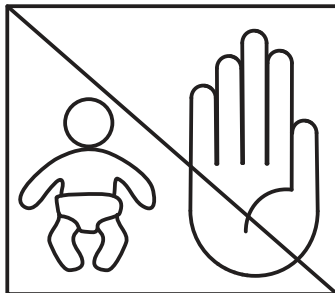
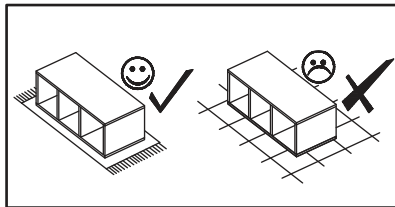
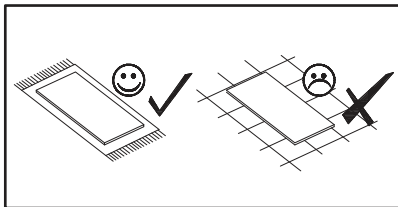
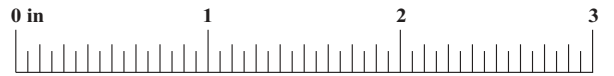
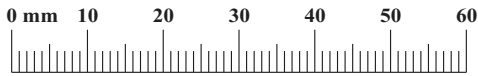
NO	Inch			Col.-No	Qty
1	19 1/4"	12 63/64"	5/8"	1	1
2	19 1/4"	12 13/64"	5/8"	1	1
3	19 1/4"	12 13/64"	5/8"	1	1
4	12 7/8"	12 13/64"	5/8"	1	1
5	19 1/4"	12 63/64"	5/8"	1	1
6	78 47/64"	12 63/64"	5/8"	2	1
7	18 27/64"	12 13/64"	5/8"	1	1
8	38 7/64"	12 13/64"	5/8"	1	1
9	78 47/64"	12 63/64"	5/8"	2	1
10	19 17/32"	11 13/16"	13/64"	1	3
11	19 17/32"	14 13/32"	5/8"	1	3
12	77 7/8"	9 7/8"	1/8"	2	1
113	77 7/8"	9 7/8"	1/8"	2	1



120 min

ROMA RTV 3D

A1 x28 	B4 x28 	B5 x28 	G5 x28 	G20 x12 	E7 x6 Ø1 3/8" Ø35 H=0
E13 x6 H=0 	D10 x12 USØ9/64"x33/64" USØ3,5x13 	UP13 x6 UpØ1/8"x5/8" UPØ3x16 	S1 x14 	ST21 x10 2 23/64" x2 23/64"x63/64" 60x60x25 	D6 x20 USØ9/64"x13/16" USØ3,5x30
G2 x1 	LZ3 x1 	LED x3 	SQ x3 		

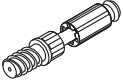


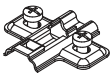
ROMA RTV 3D

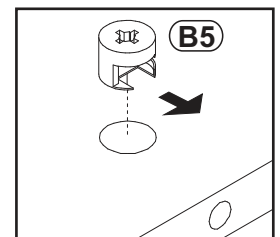
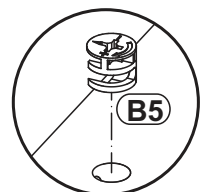
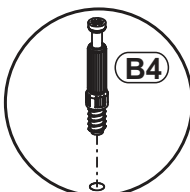
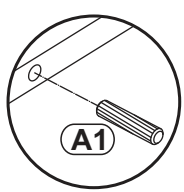
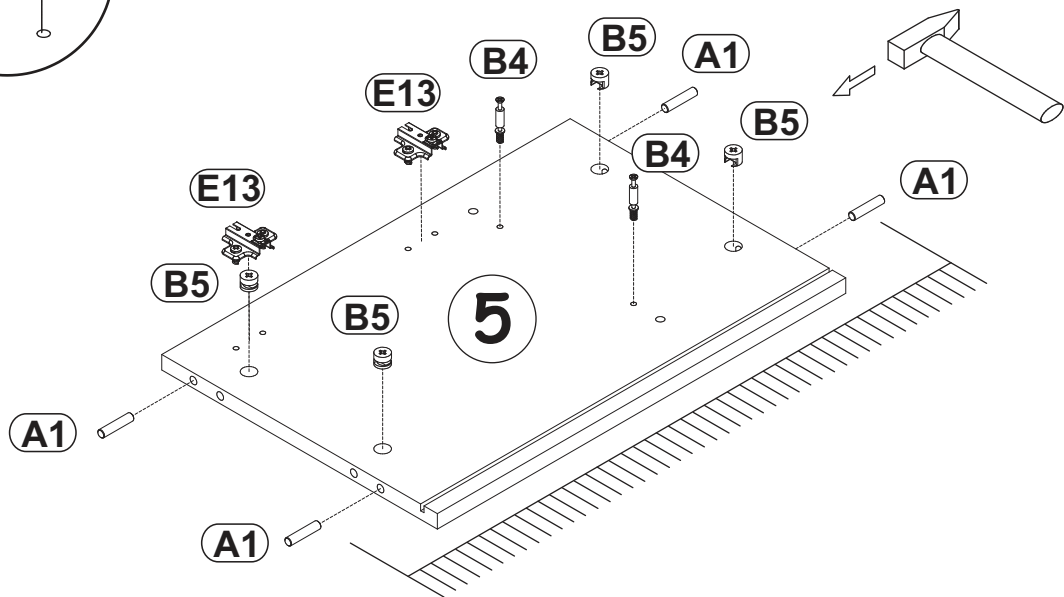
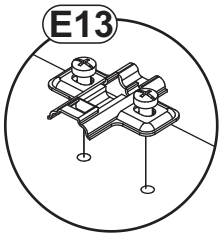
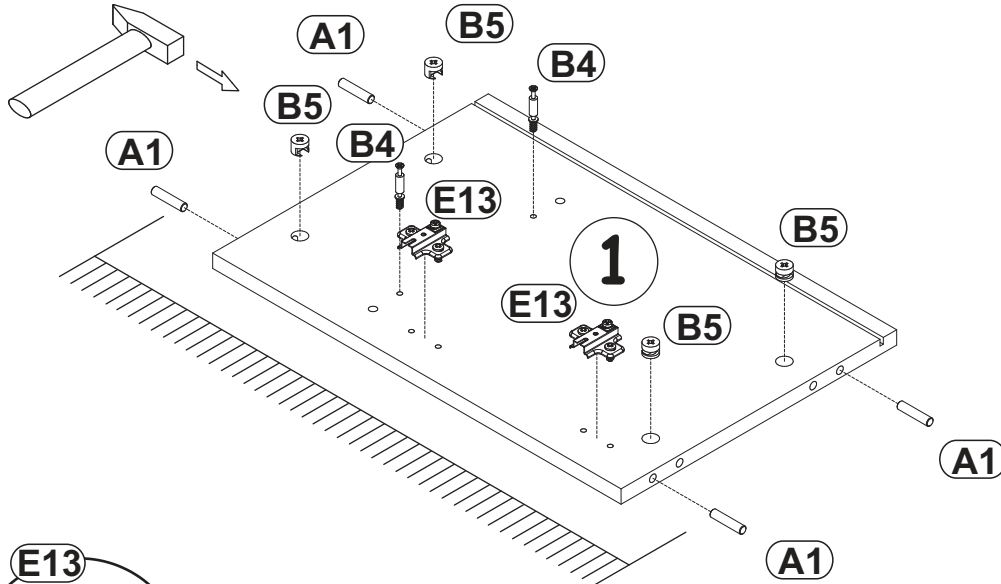
1

A1	Ø5/16"x1 27/64"
x8	ø8x36

B5	Ø19/32"x15/32"
x8	Ø15x12

B4	
x4	

E13	
x4	H=0



ROMA RTV 3D

2

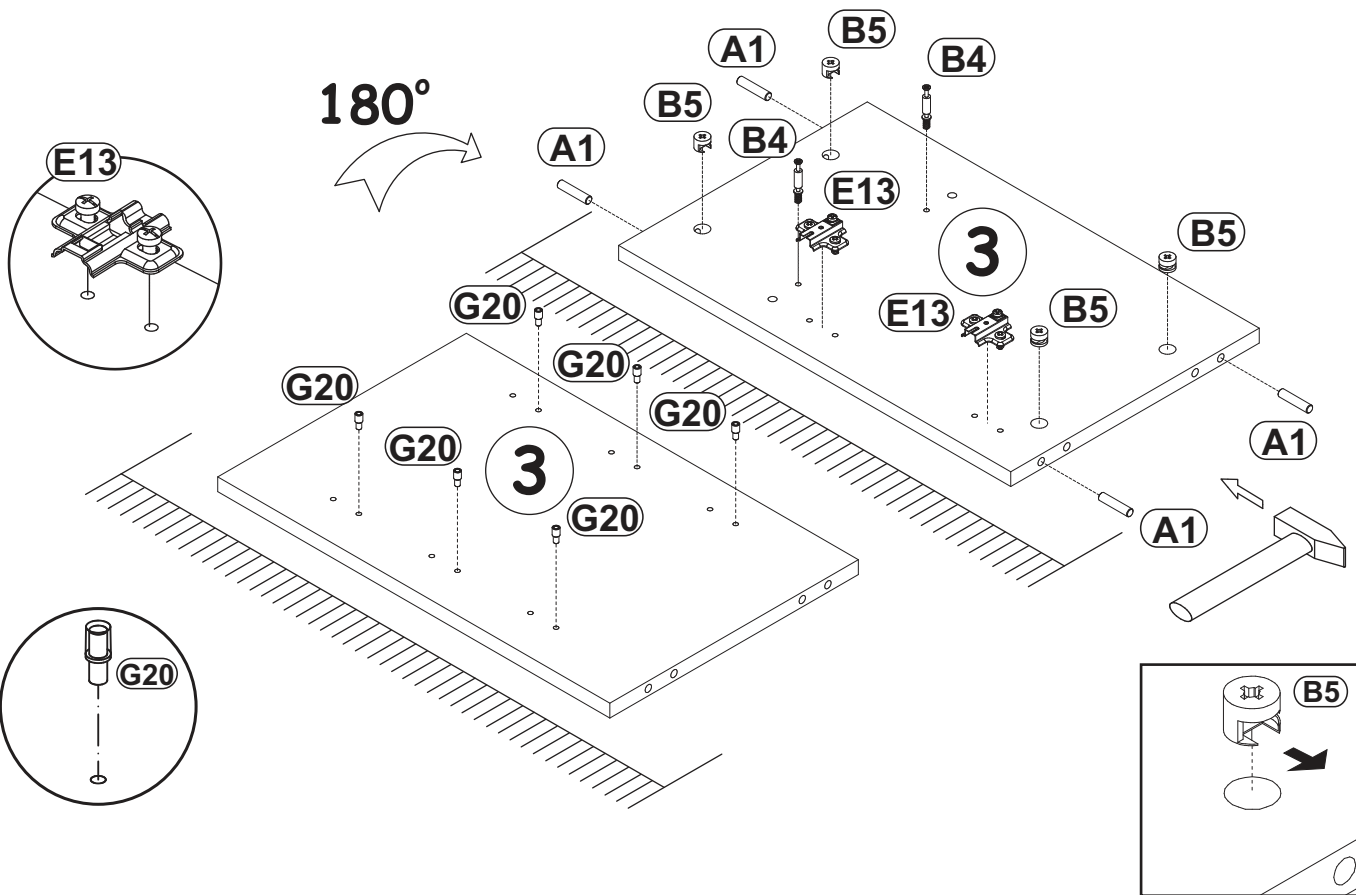
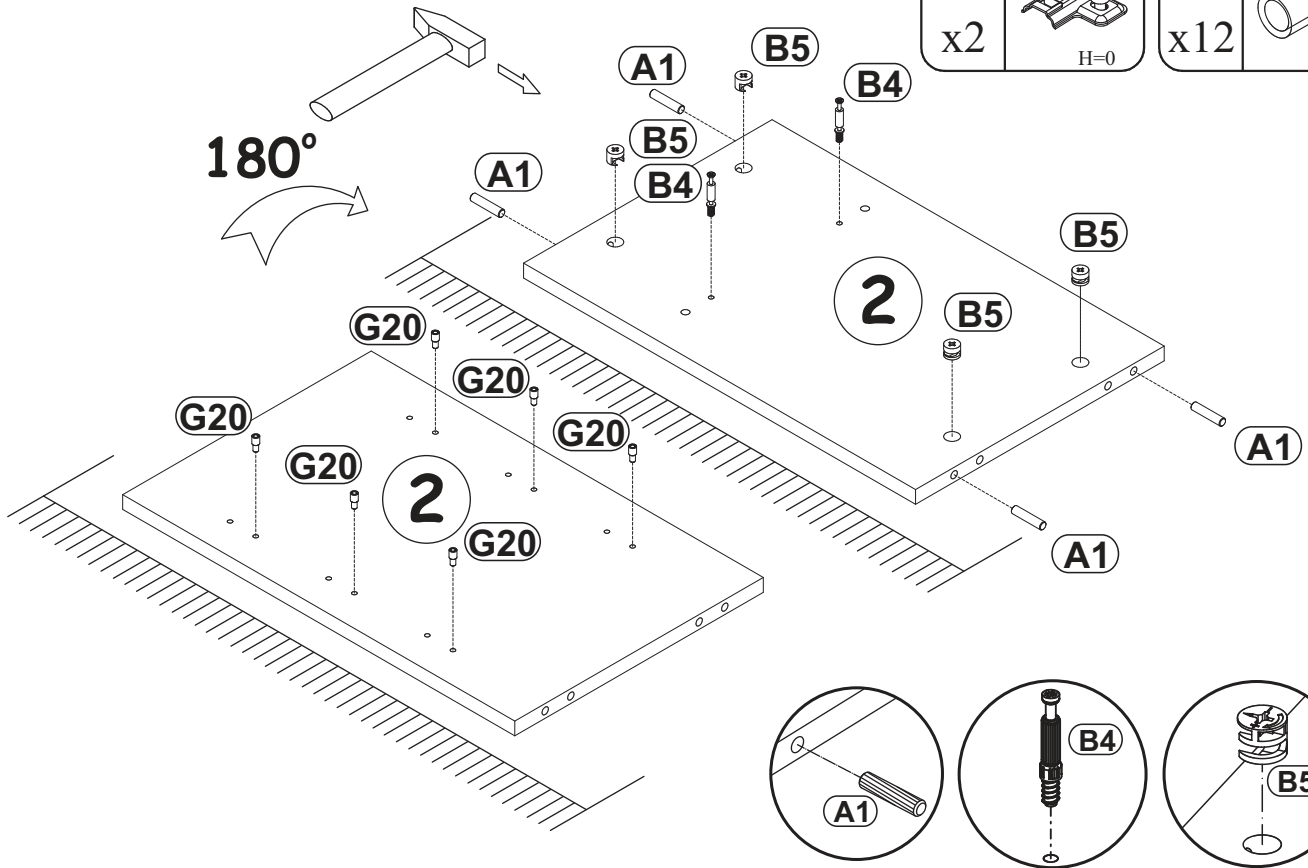
B5	Ø19/32"x15/32"
x8	Ø15x12

B4	
x4	

A1	Ø5/16"x1 27/64"
x8	Ø8x36

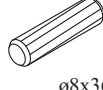

E13	
x2	H=0

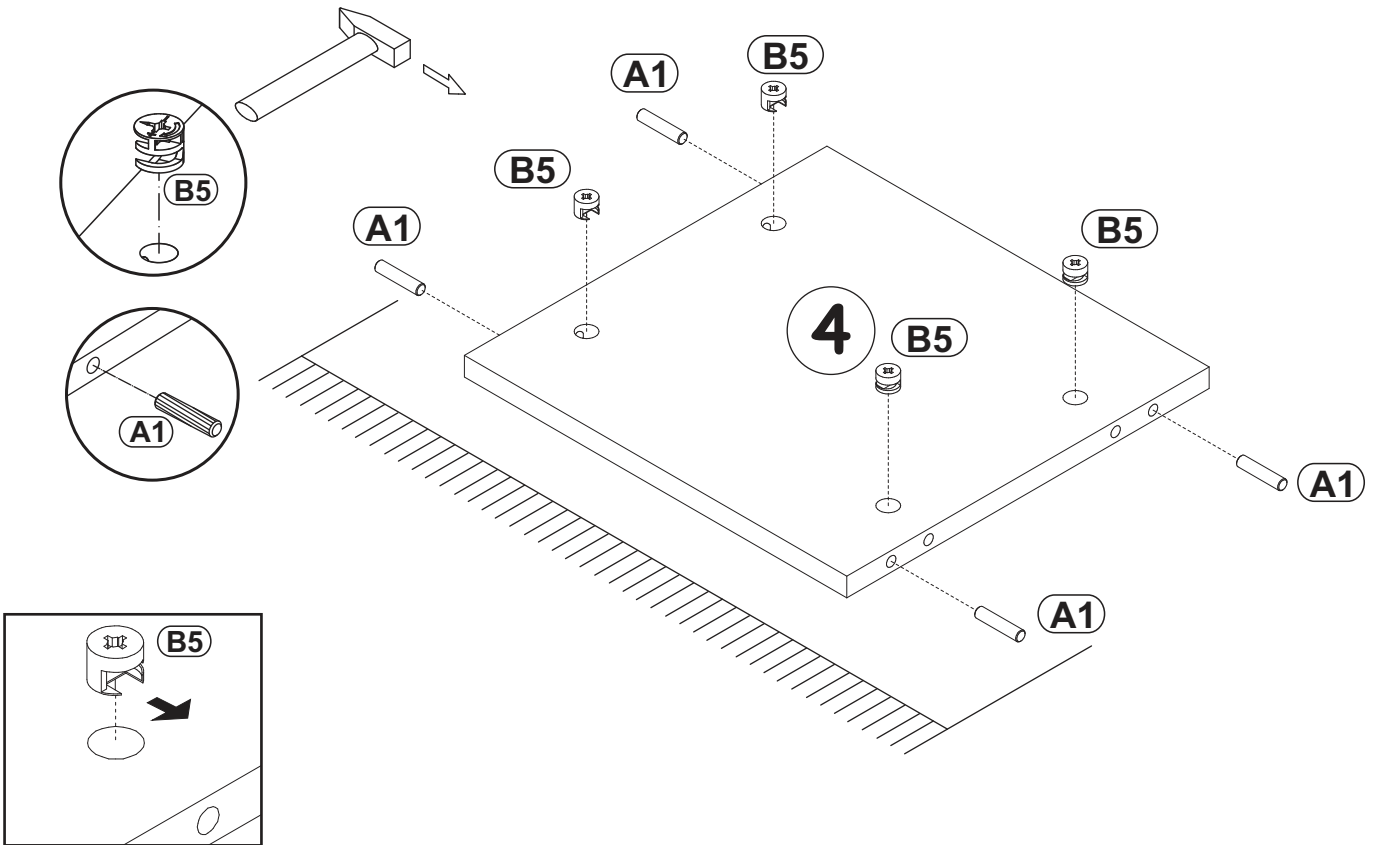
G20	
x12	



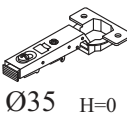

ROMA RTV 3D

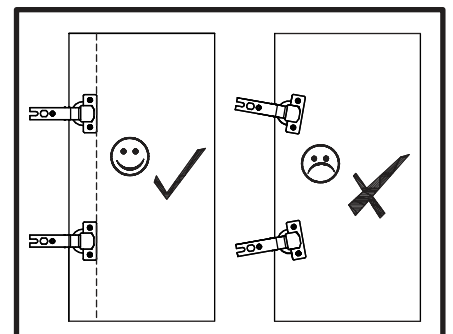
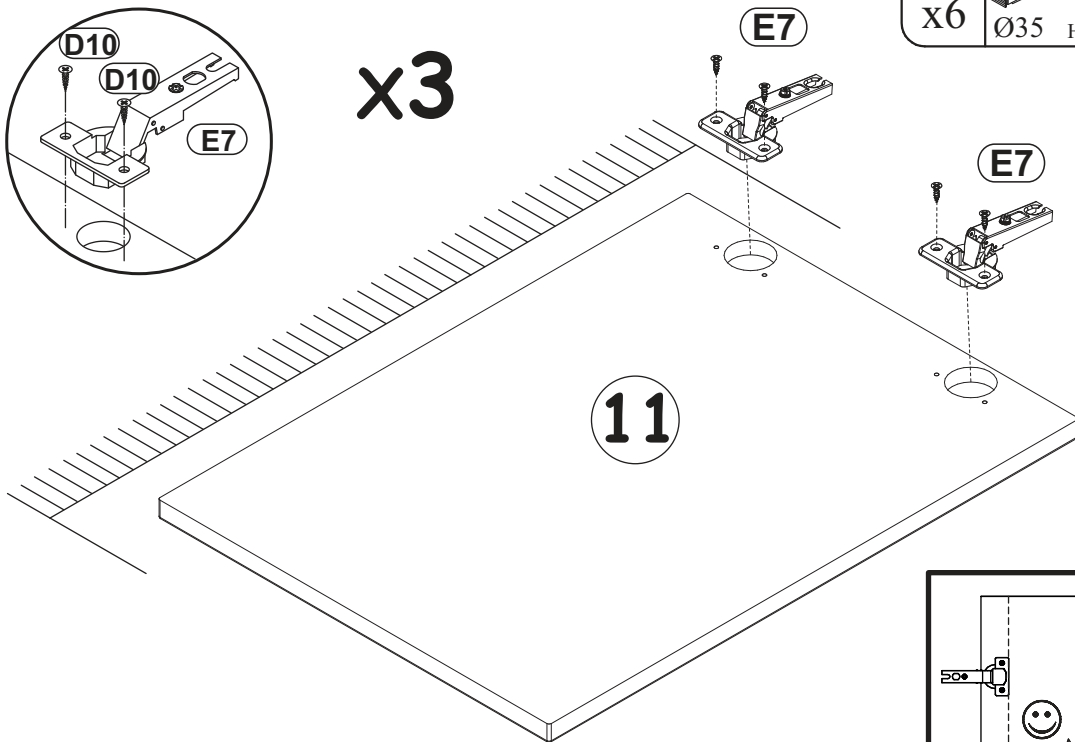
3

A1	Ø5/16"x1 27/64"	B5	Ø19/32"x15/32"
x4	 ø8x36	x4	 Ø15x12



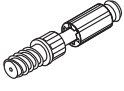

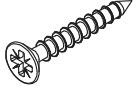
4

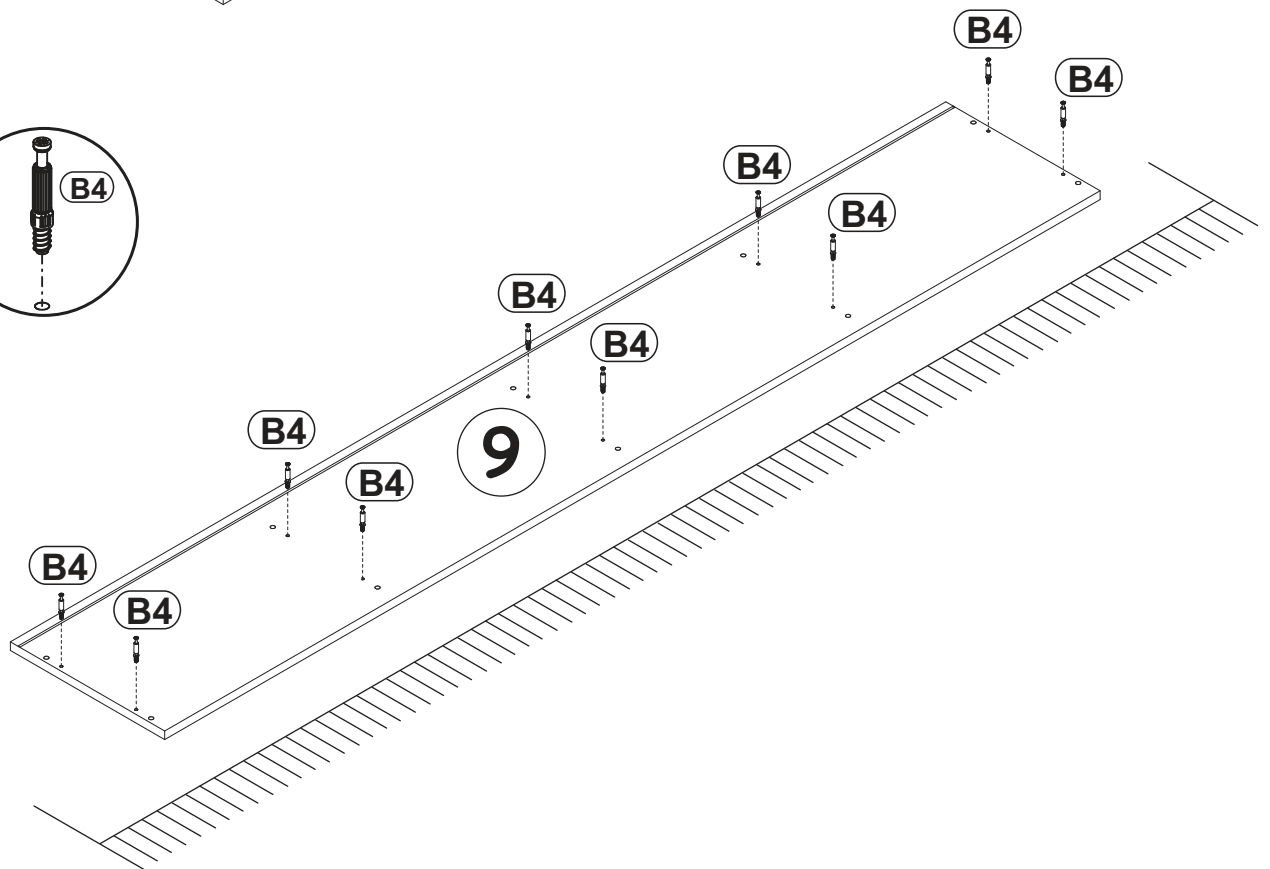
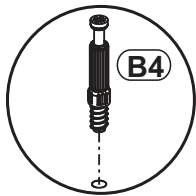
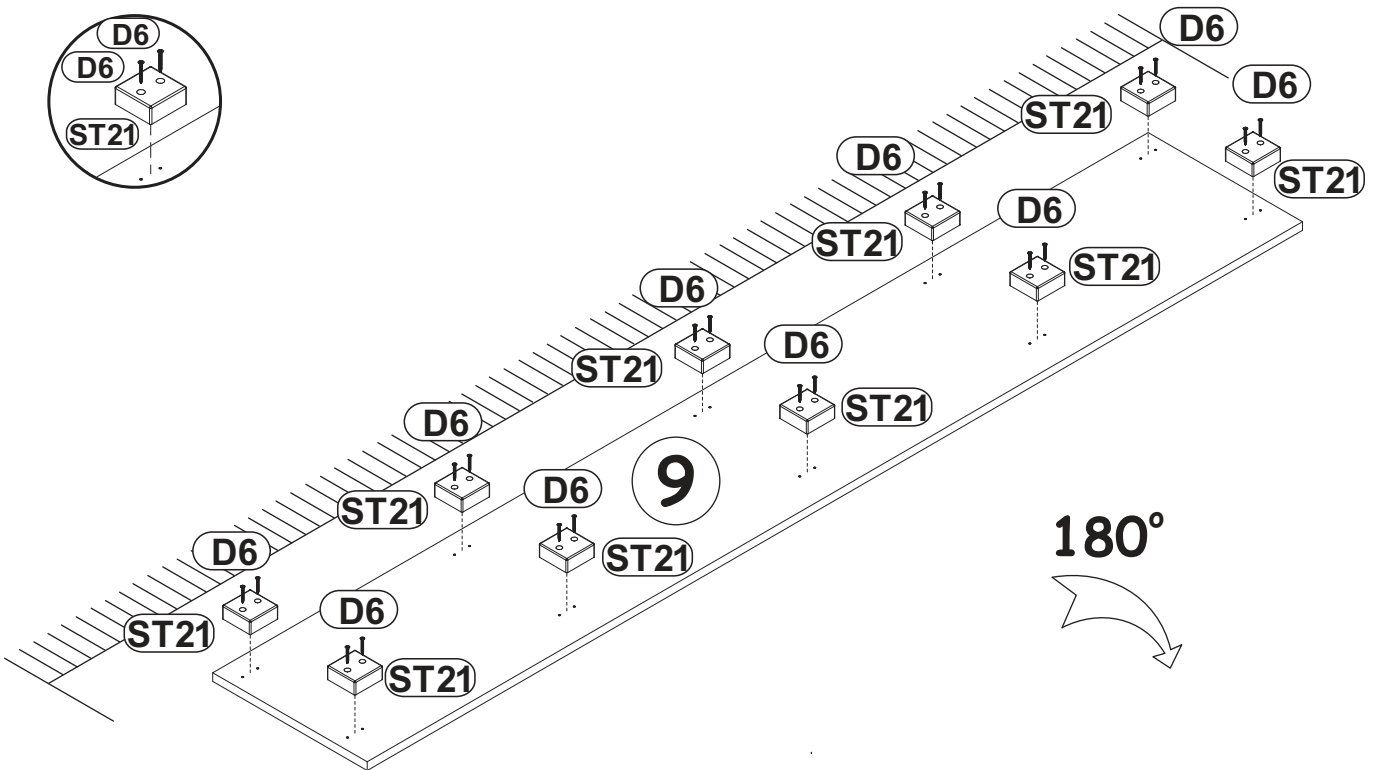
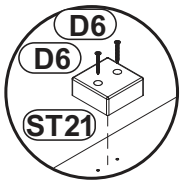
E7	Ø1 3/8"	D10	USØ9/64"x33/64"
x6	 Ø35 H=0	x12	 USØ3,5x13




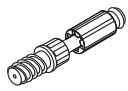
ROMA RTV 3D

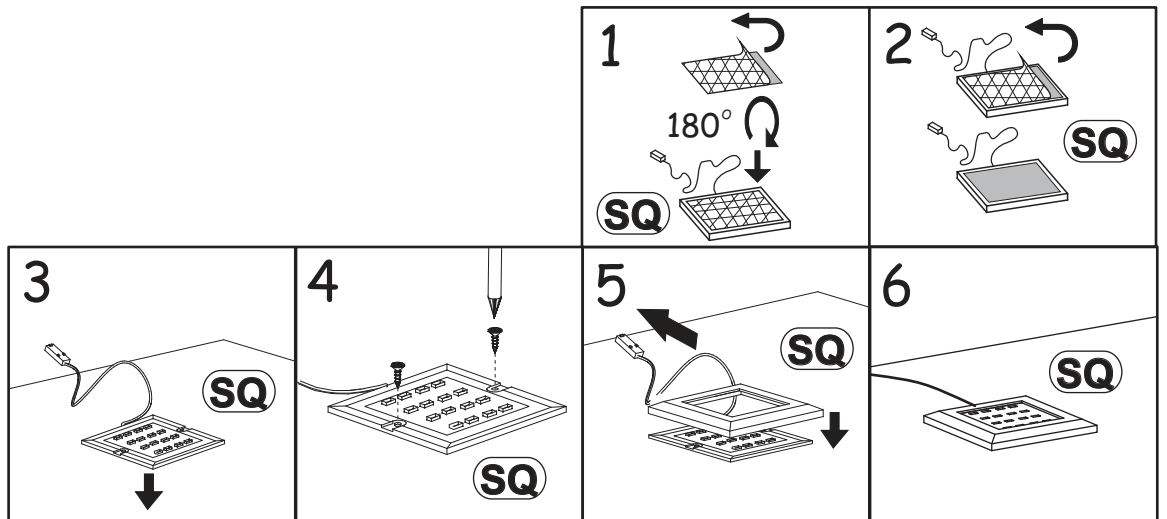
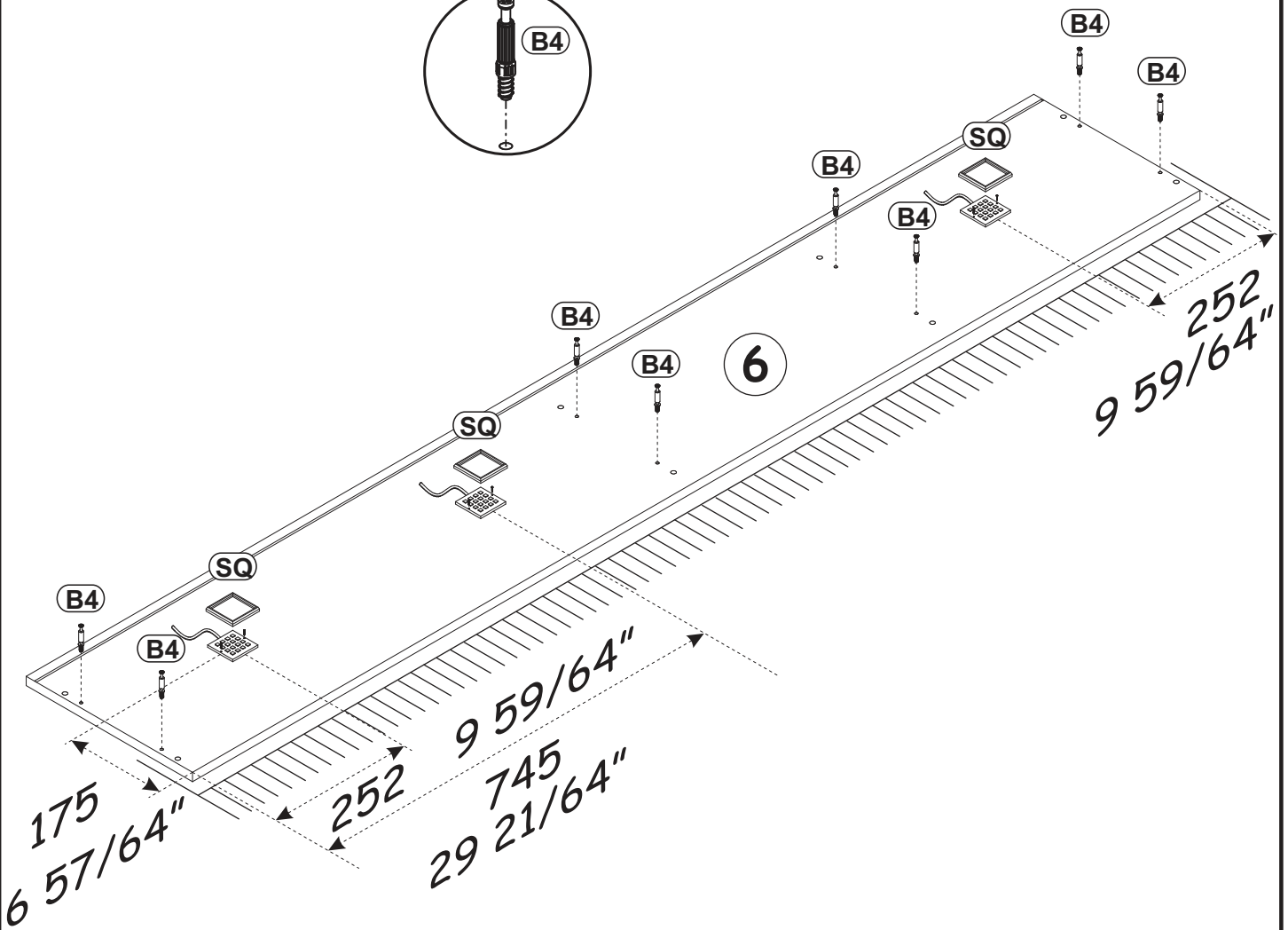
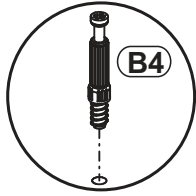
5

B4		ST21	 2 23/64" x 2 23/64" x 63/64" 60x60x25	D6	 USØ9/64"x13/16" USØ3,5x30
x10		x10		x20	

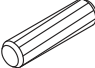



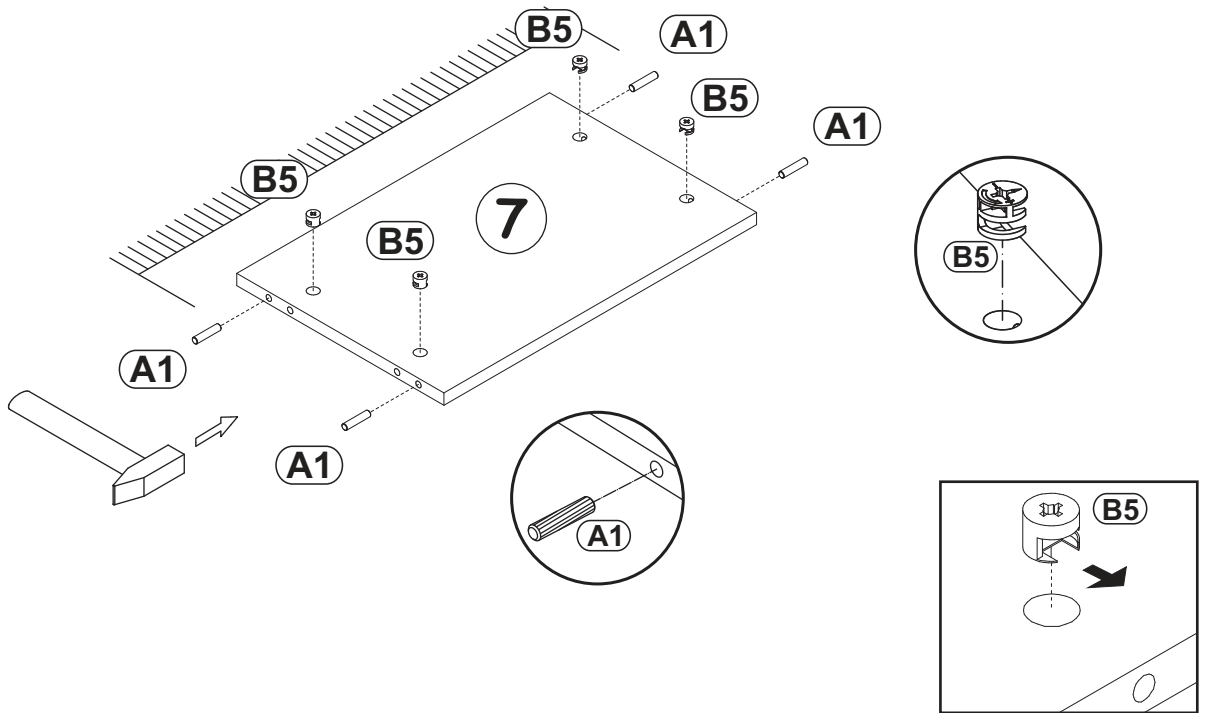
6

SQ		B4	
x3		x8	

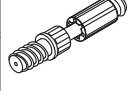
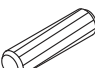



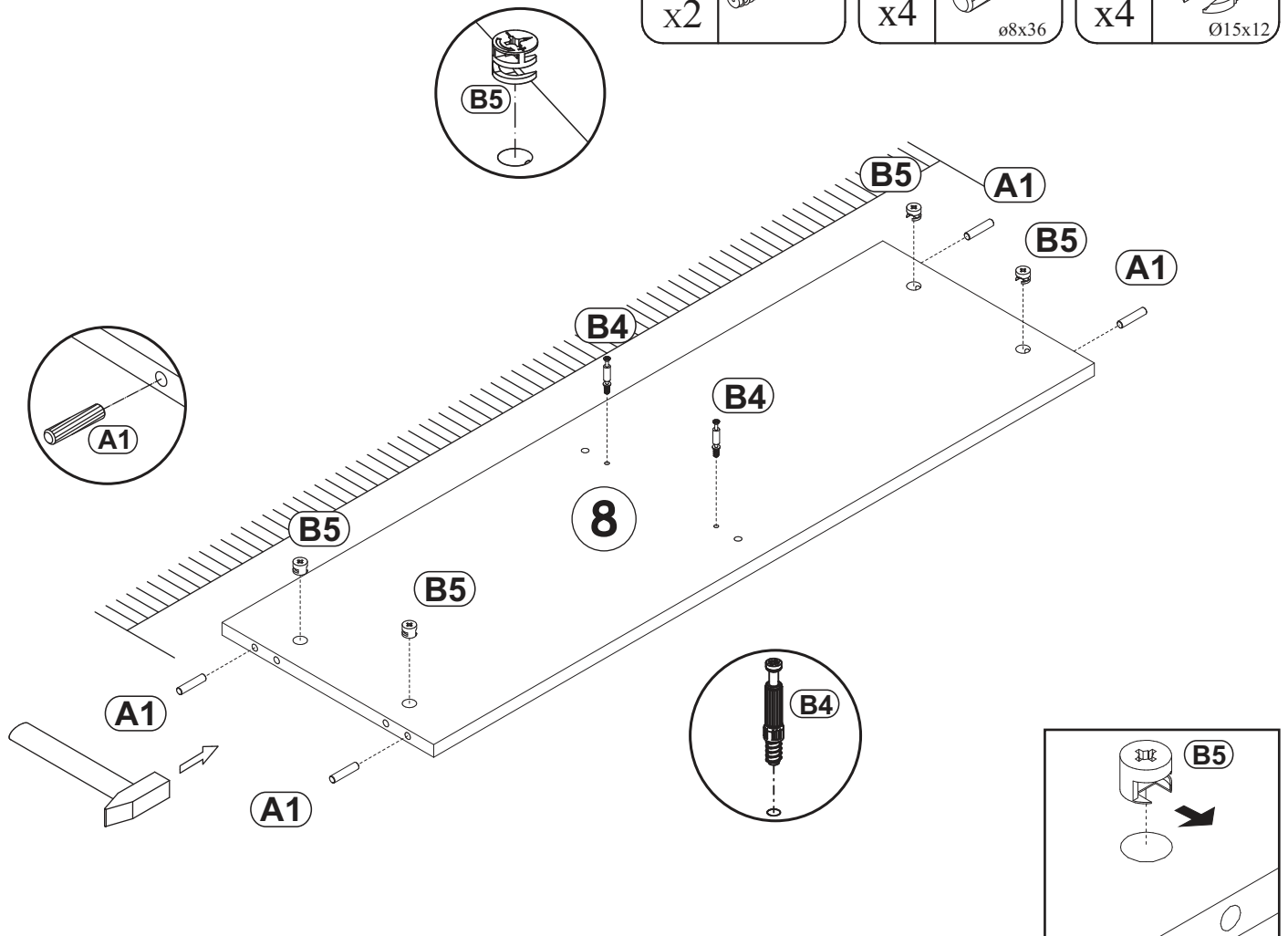
7

A1	Ø5/16"x1 27/64"	B5	Ø19/32"x15/32"
x4	 ø8x36	x4	 Ø15x12




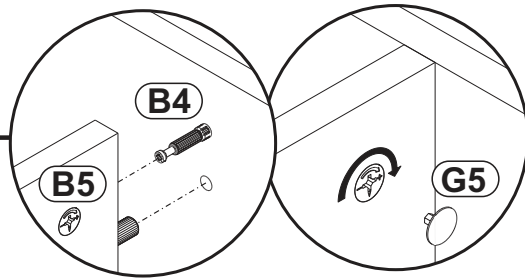
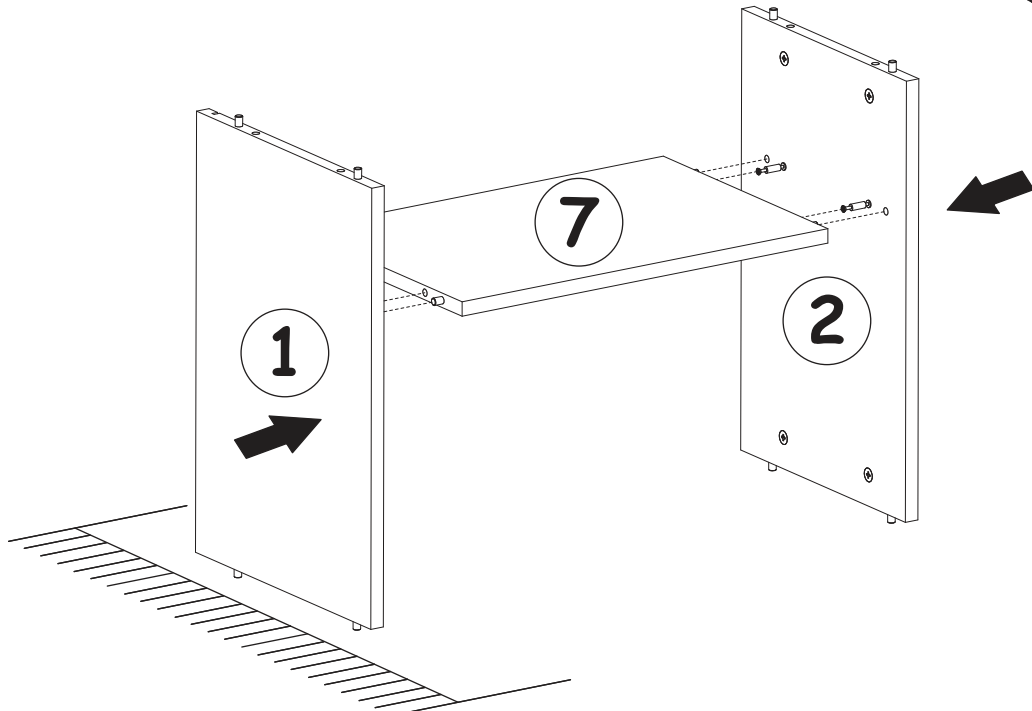
8

B4	A1	Ø5/16"x1 27/64"	B5	Ø19/32"x15/32"	
x2		x4	 ø8x36	x4	 Ø15x12




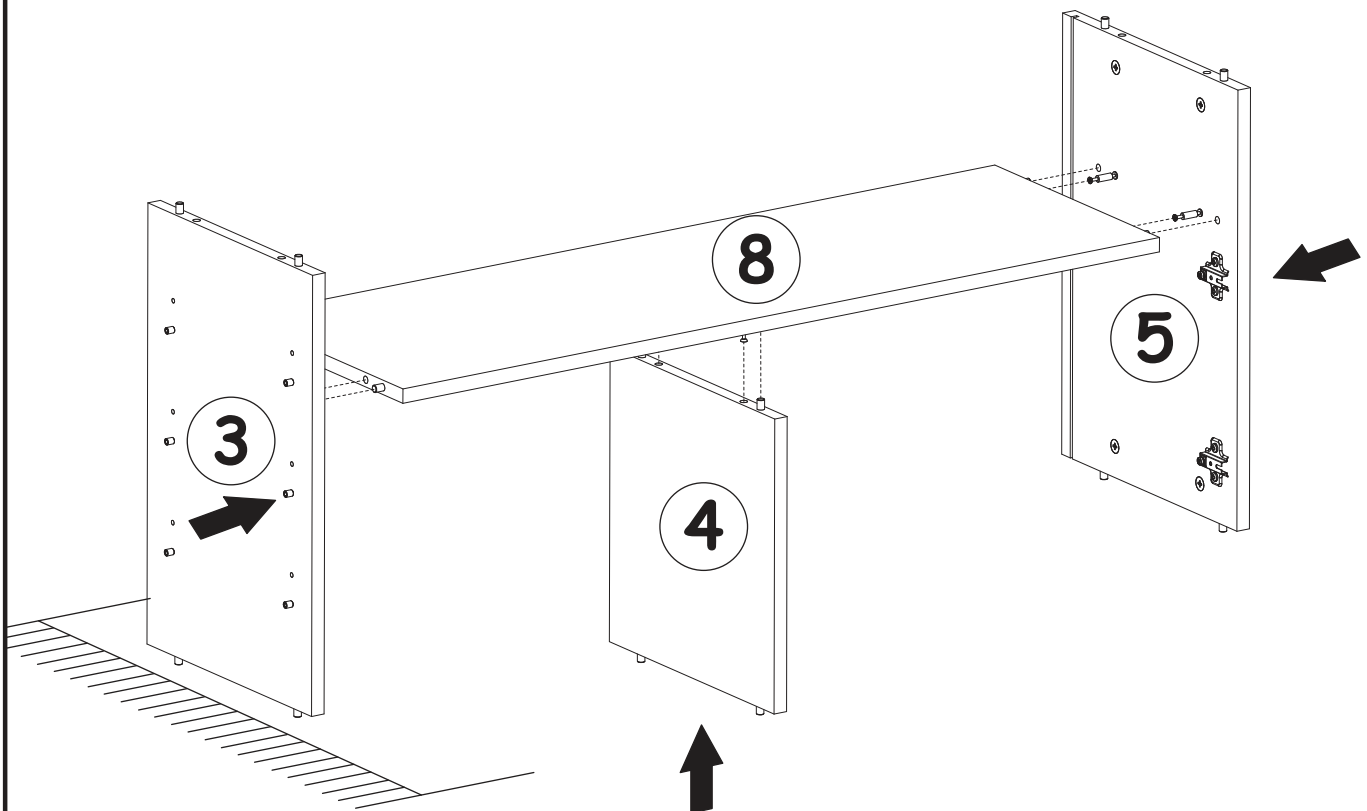
9

G5	
x4	




10

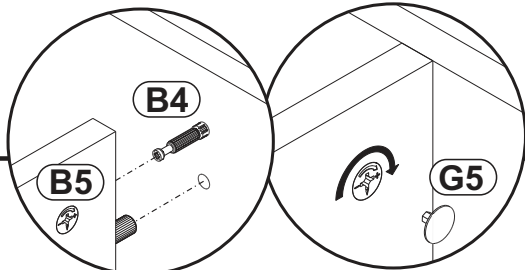
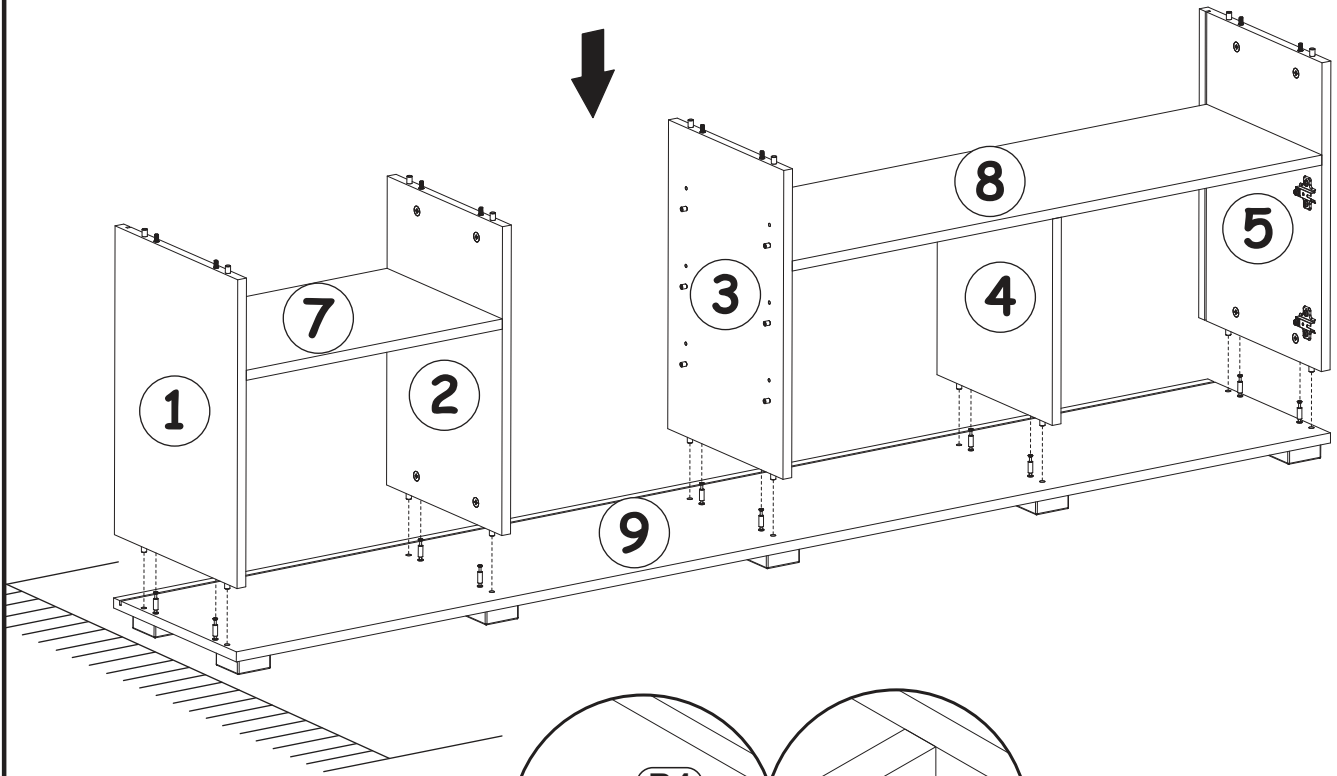
G5	
x6	




ROMA RTV 3D

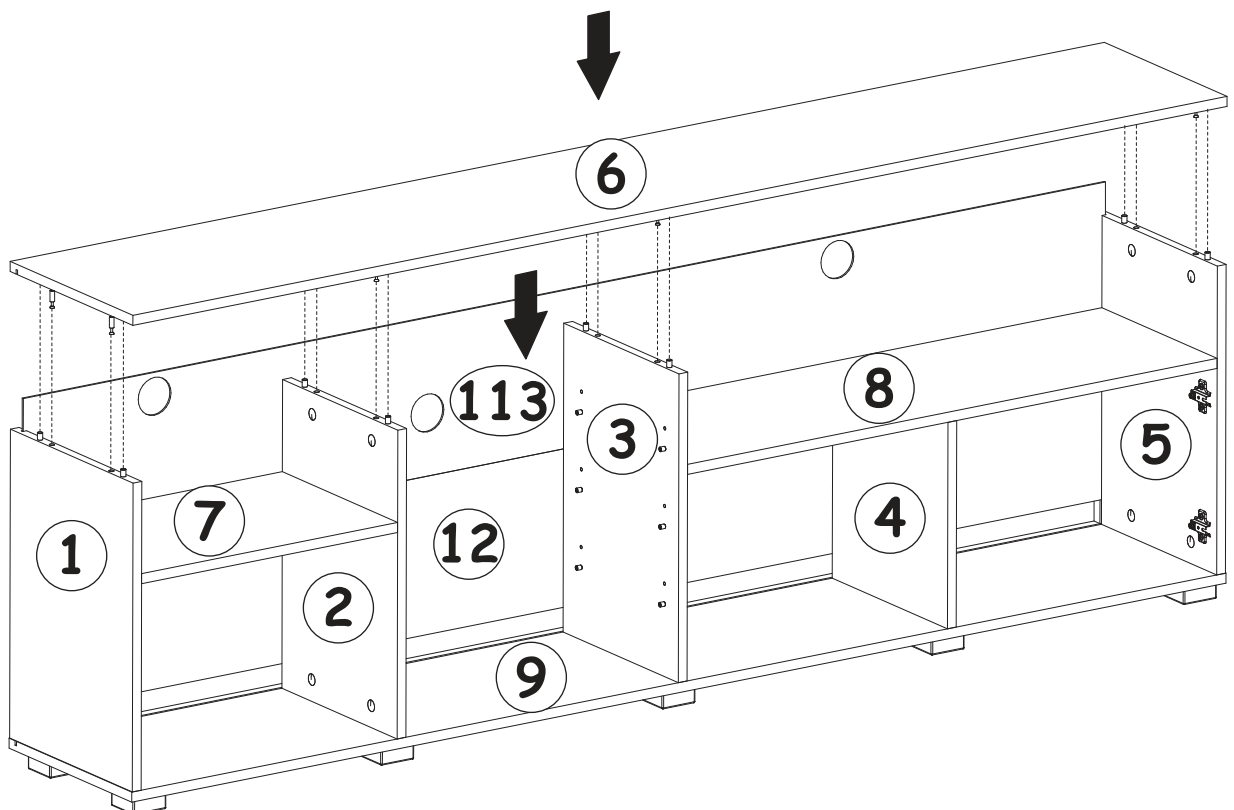
11

G5	
x10	



12

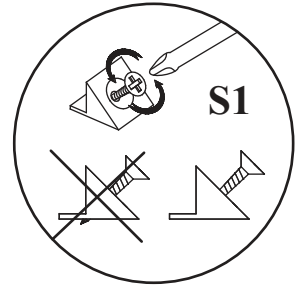
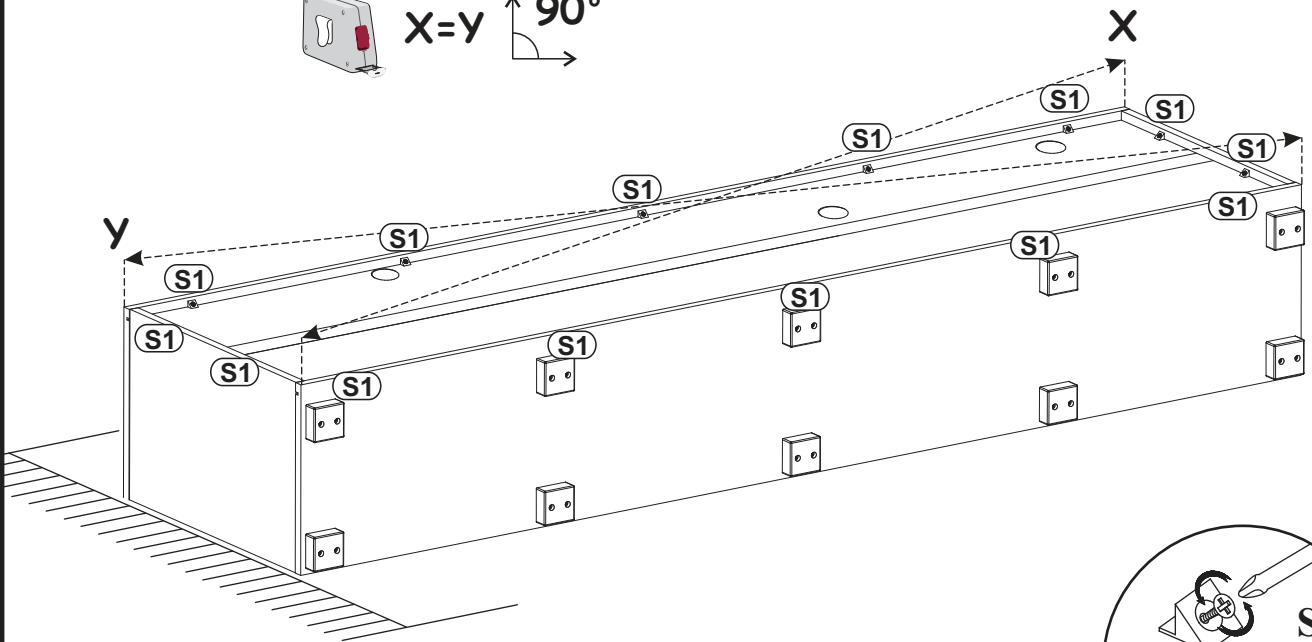
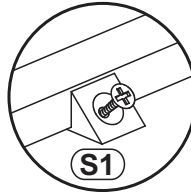
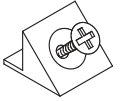
G5	
x8	



13

S1

x14

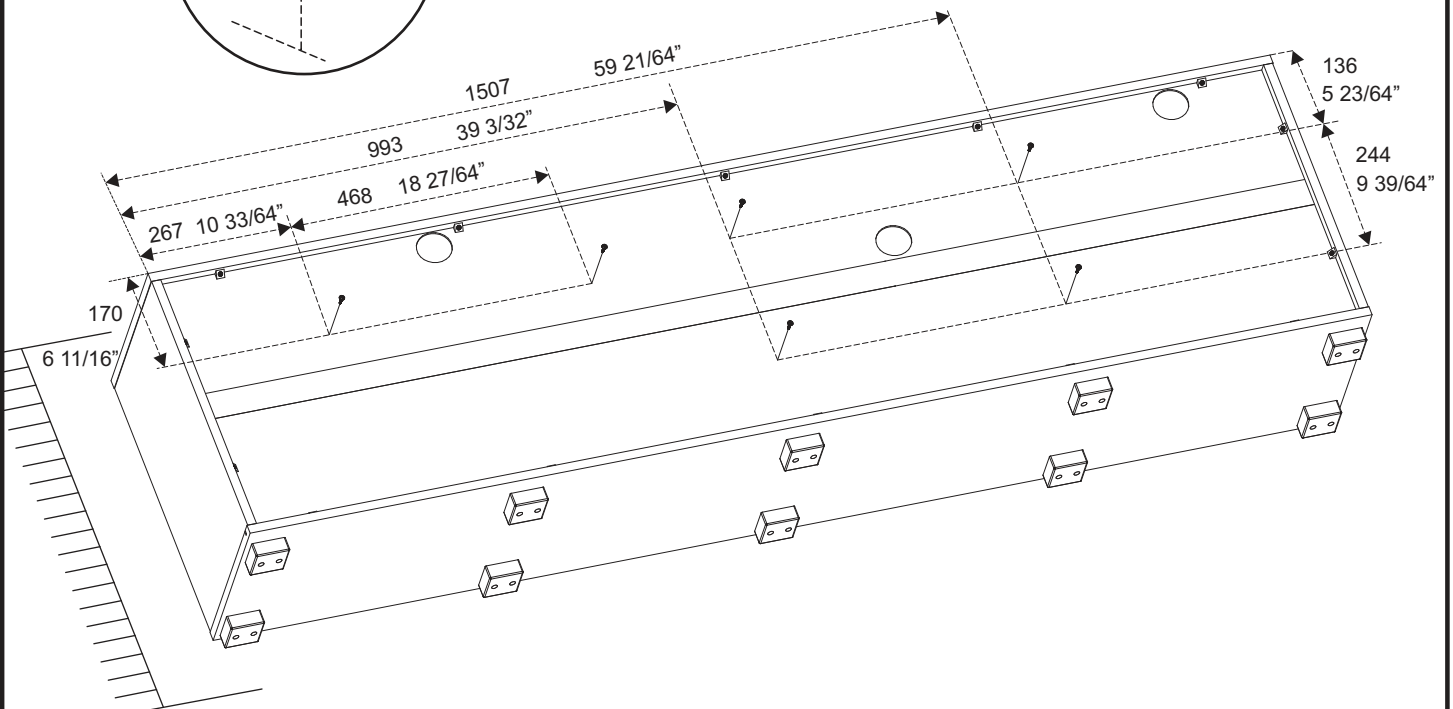
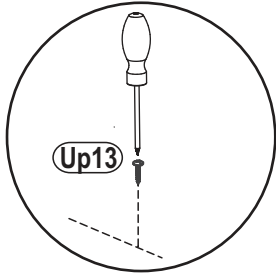


14

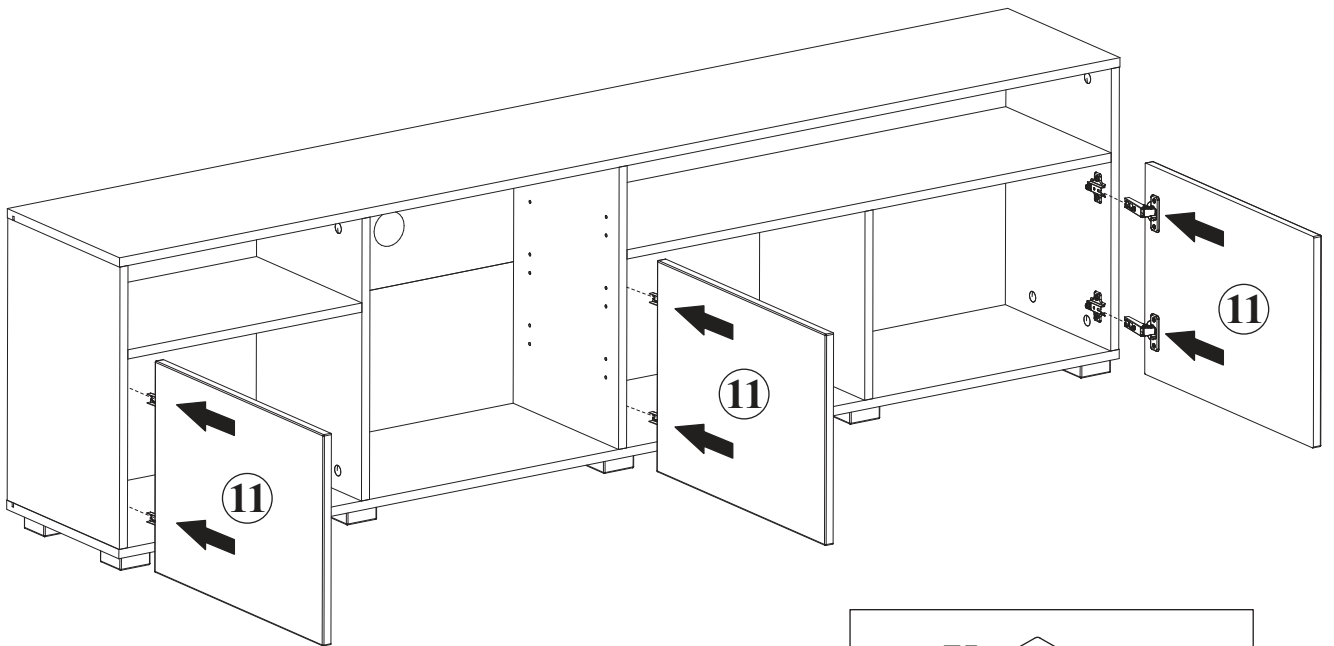
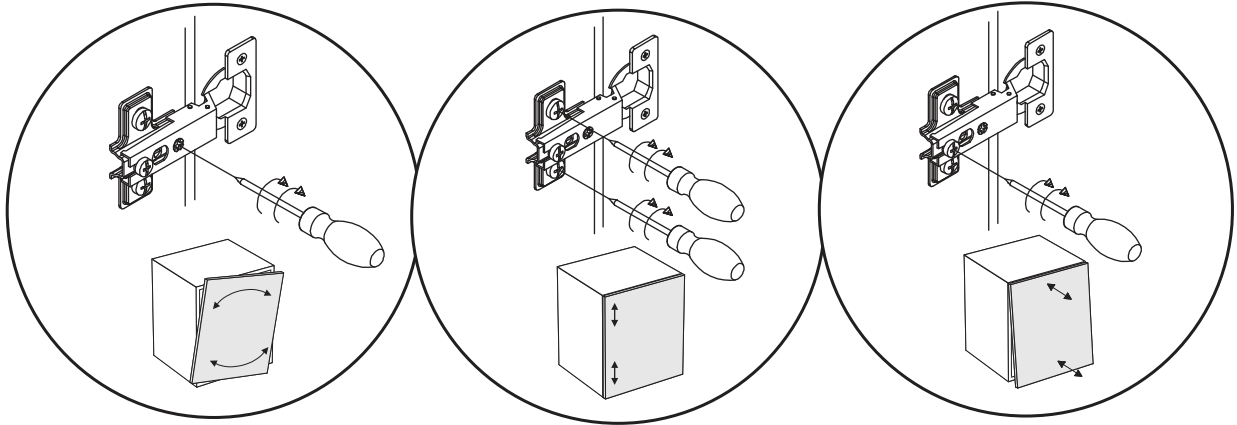
UP13

x6

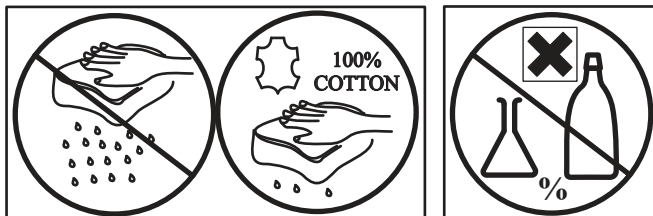
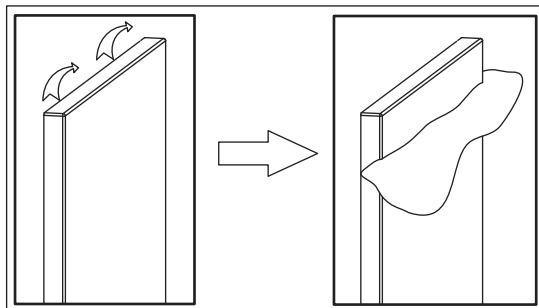
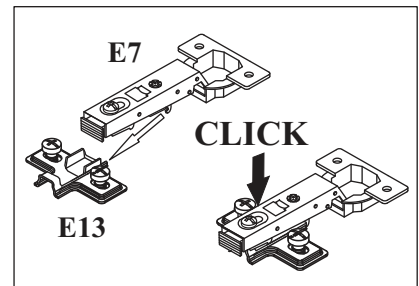
UpØ1/8" x 5/8"




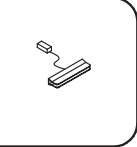
15



11



16

LZ3		LED	
x1		x3	

