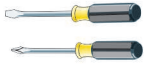
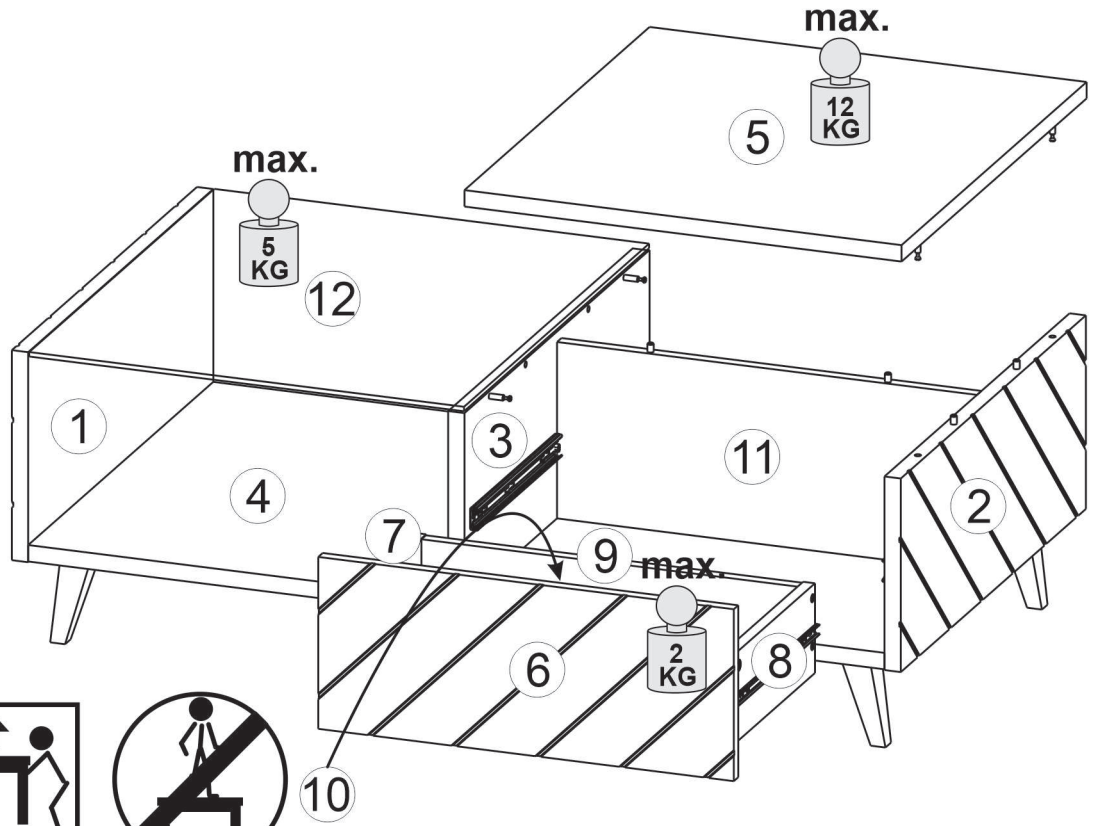


Do montażu potrzebne są:
 Für die Montage dieser Type benötigen Sie:
 Use the following for assembly:



D Sehr geehrter Kunde, sollte ein Teil fehlen oder beschädigt sein, kreuzen Sie bitte dieses deutlich auf der Montageanleitung an und schicken Sie zu uns ab.
GB Dear customer, Should there be any place missing or damaged, kindly mark this place clearly on the attached assembly instructions and return it to us.

PL Szanowny Kliencie, gdyby brakowało jakiejś części lub byłaby uszkodzona proszę to oznaczyć krzyżykiem na instrukcji montażowej i przesłać instrukcję razem z reklamacją.



BAG 1

K2 x12	T1 x10	M1 x10	K11 x8	K7 x1	W5 x3	O1 x3
----------------------	----------------------	----------------------	----------------------	---------------------	---------------------	---------------------

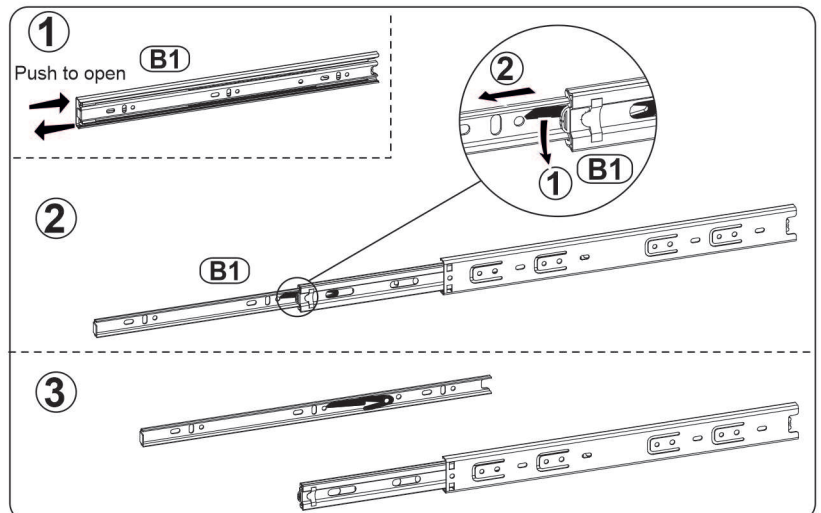
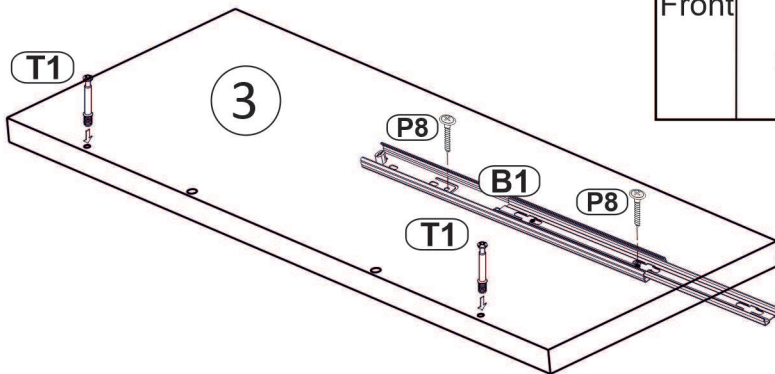
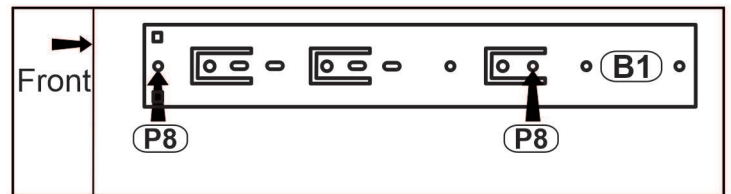
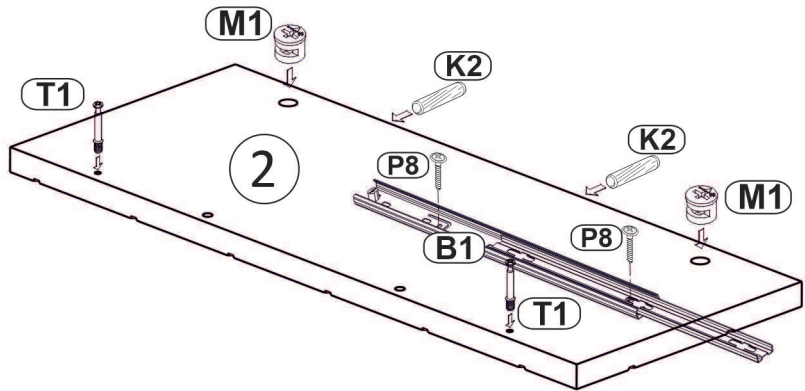
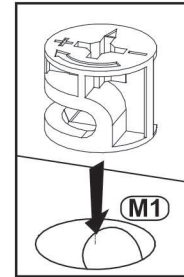
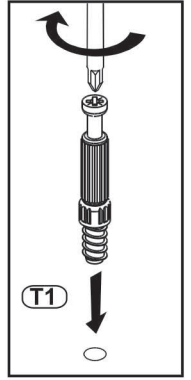
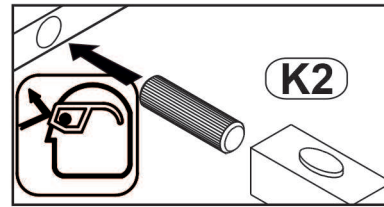
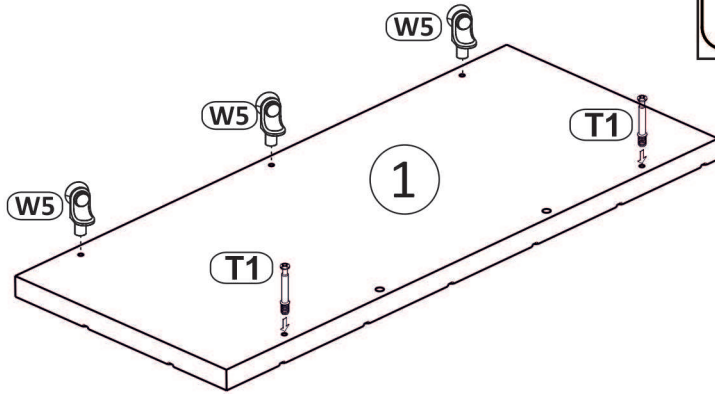
BAG 2

B1 L-350, H-45 x1	P8 3,5x13 x8	P2 3,5x18 x6
------------------------------------	-------------------------------	-------------------------------

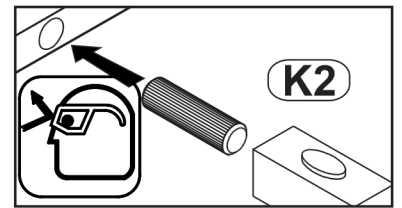
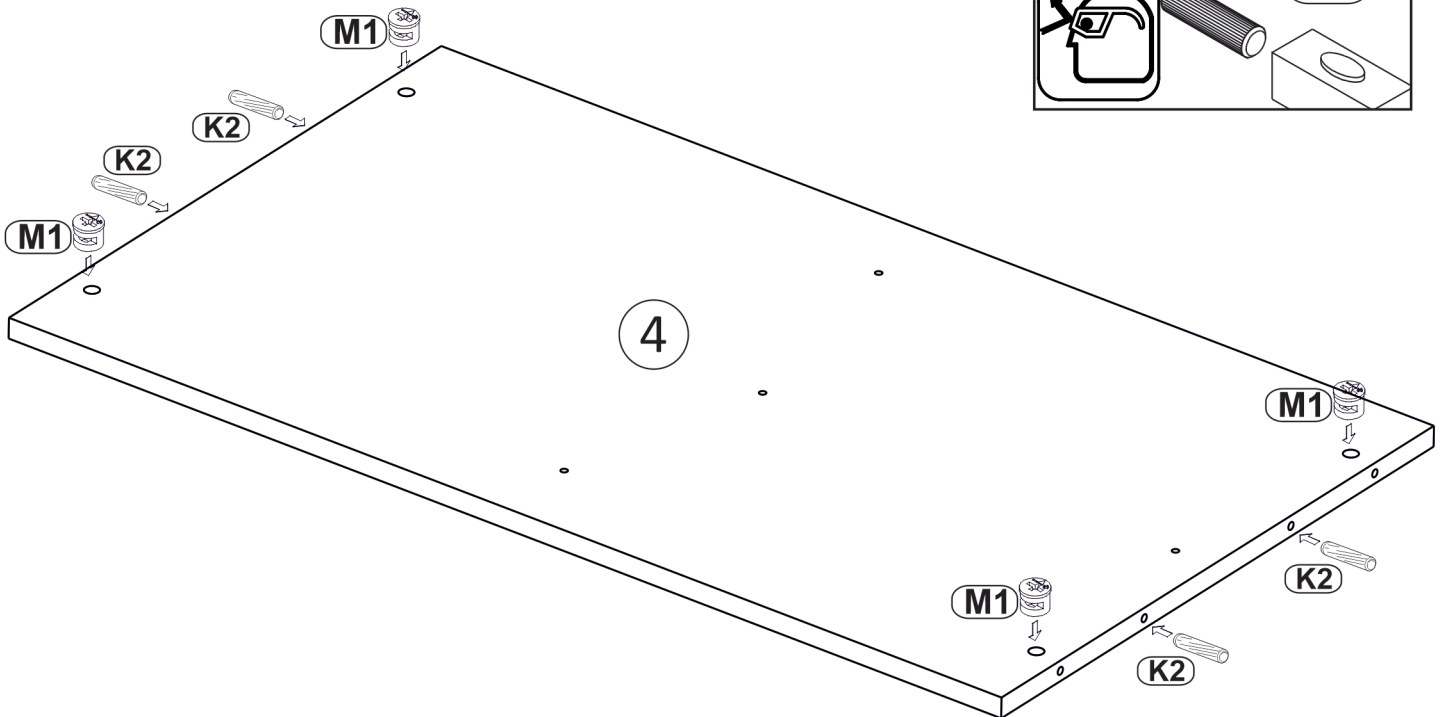
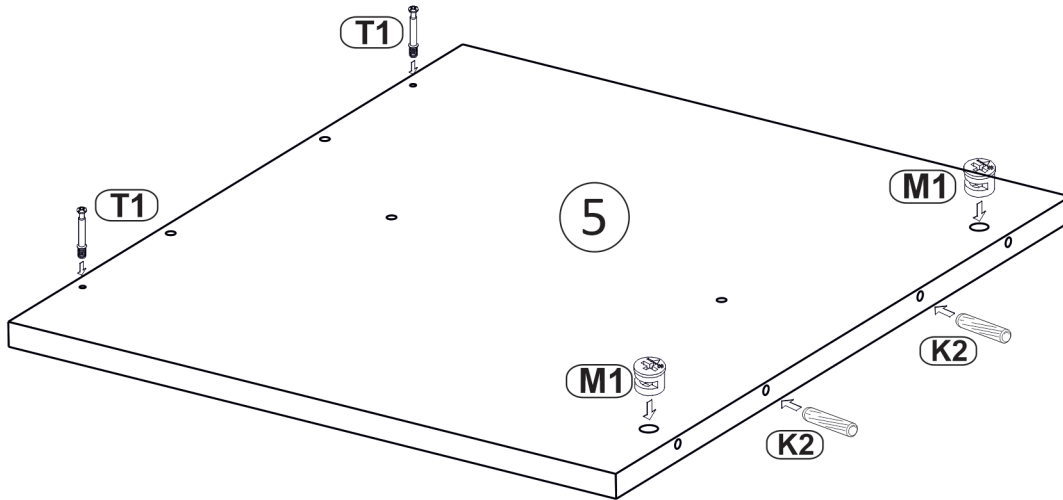
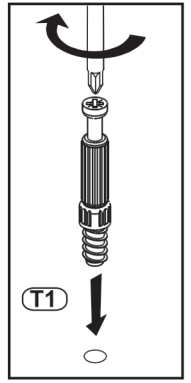
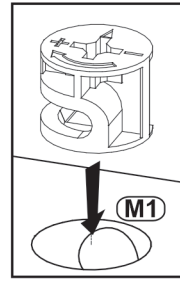
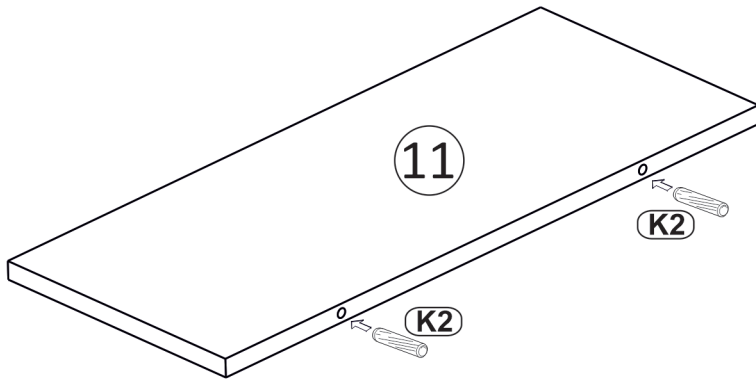
BAG 3

ST1 x5	P3 3,5x18 x20
----------------------	--------------------------------

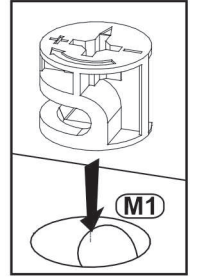
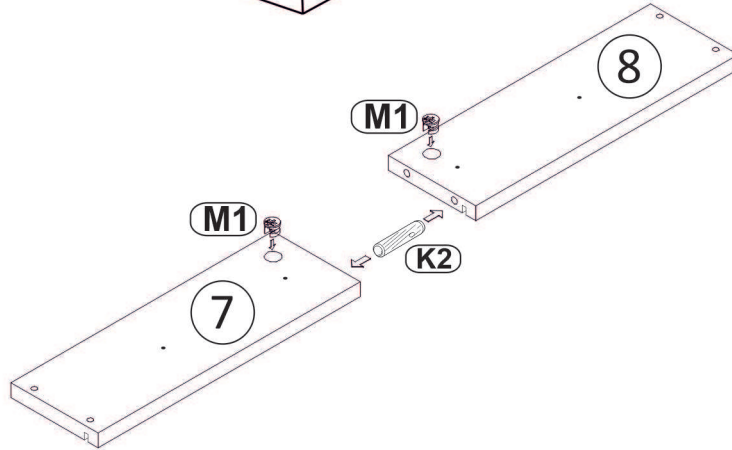
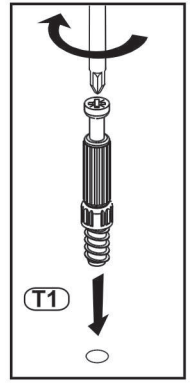
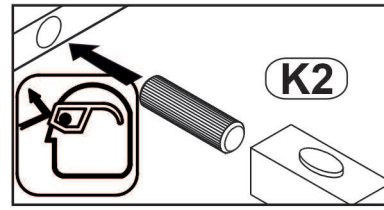
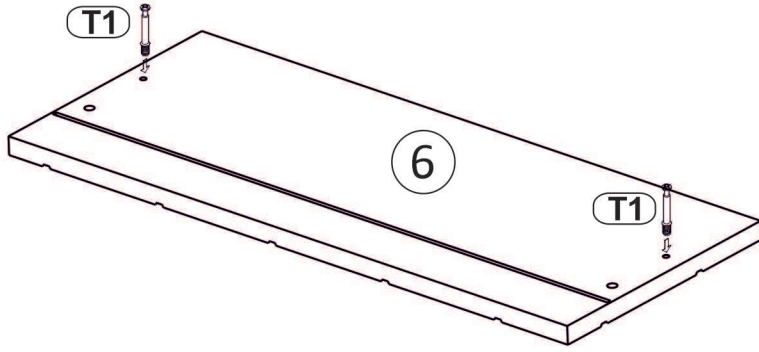
1



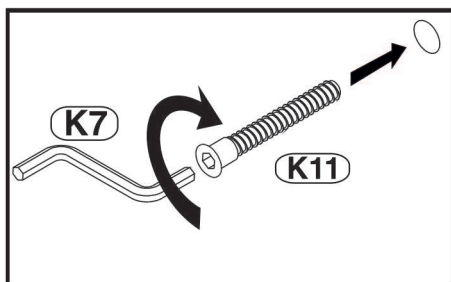
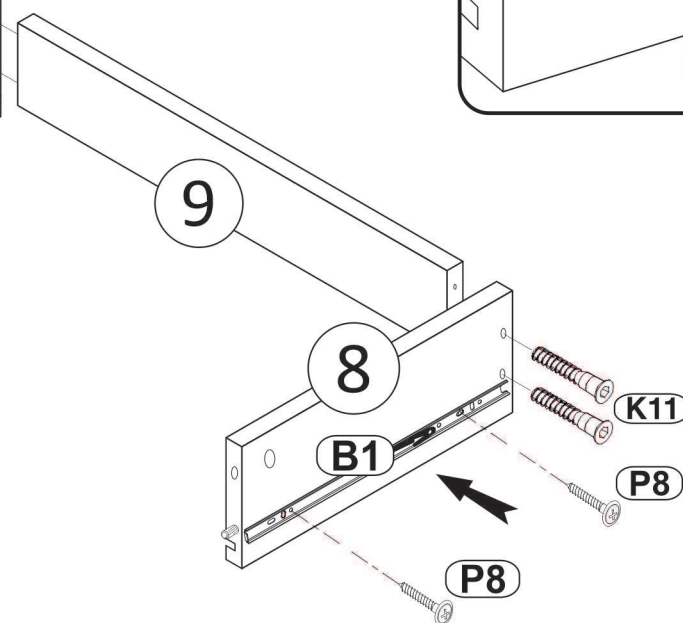
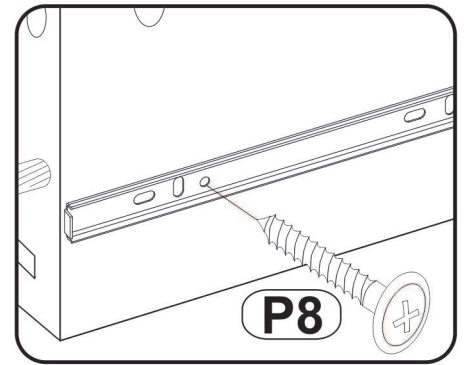
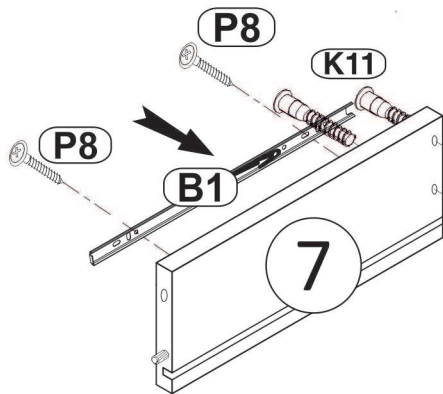
2



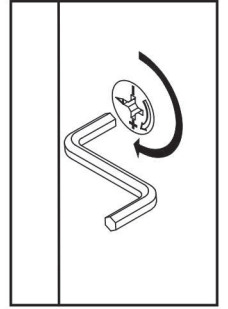
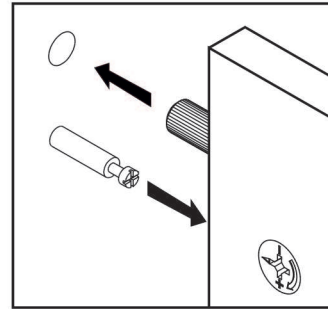
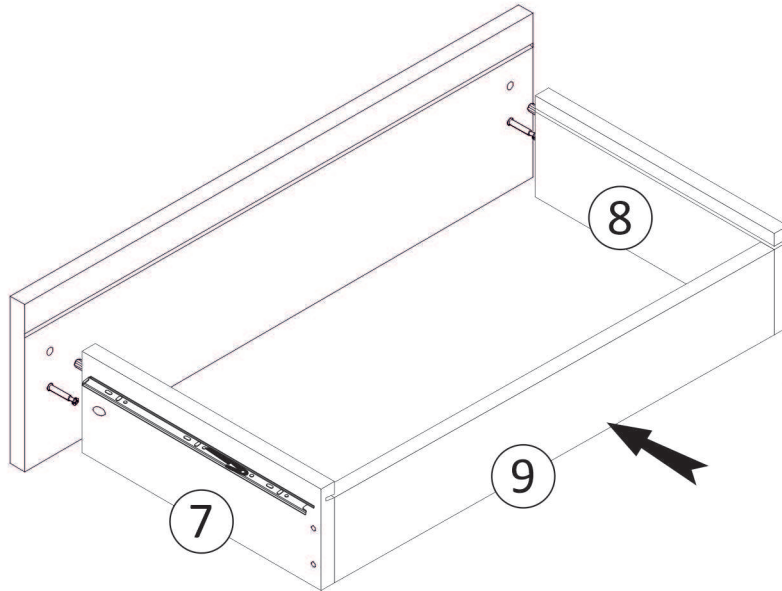
3



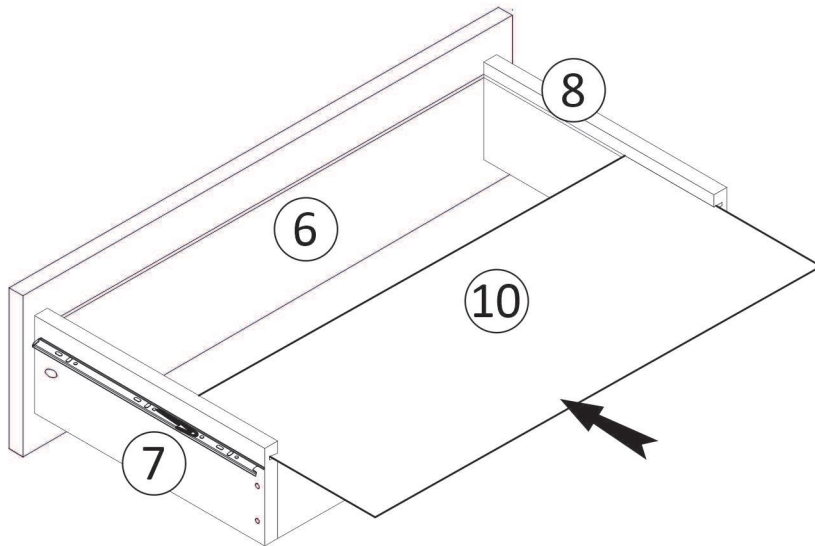
4



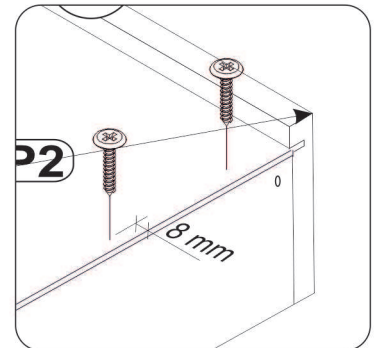
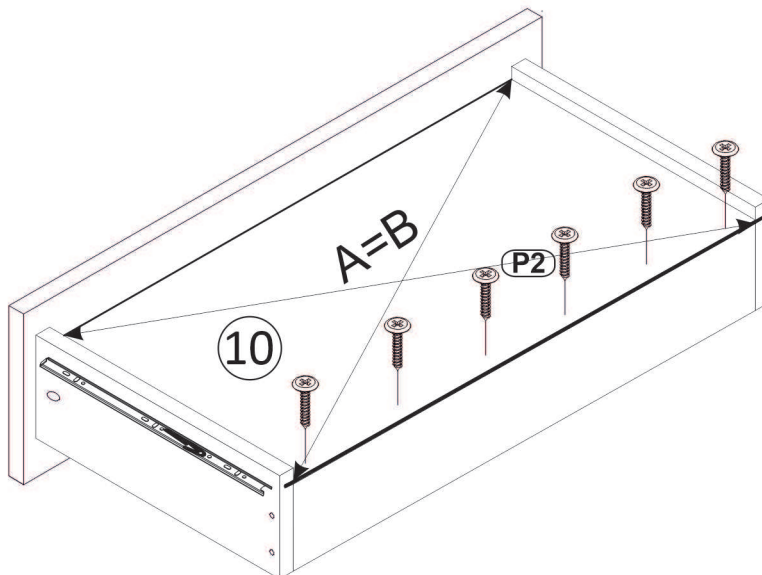
5



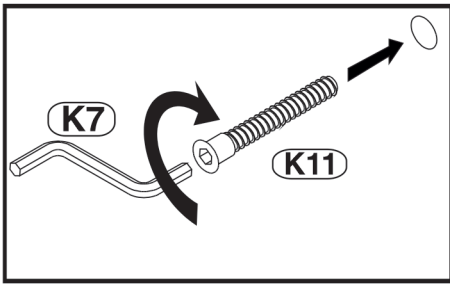
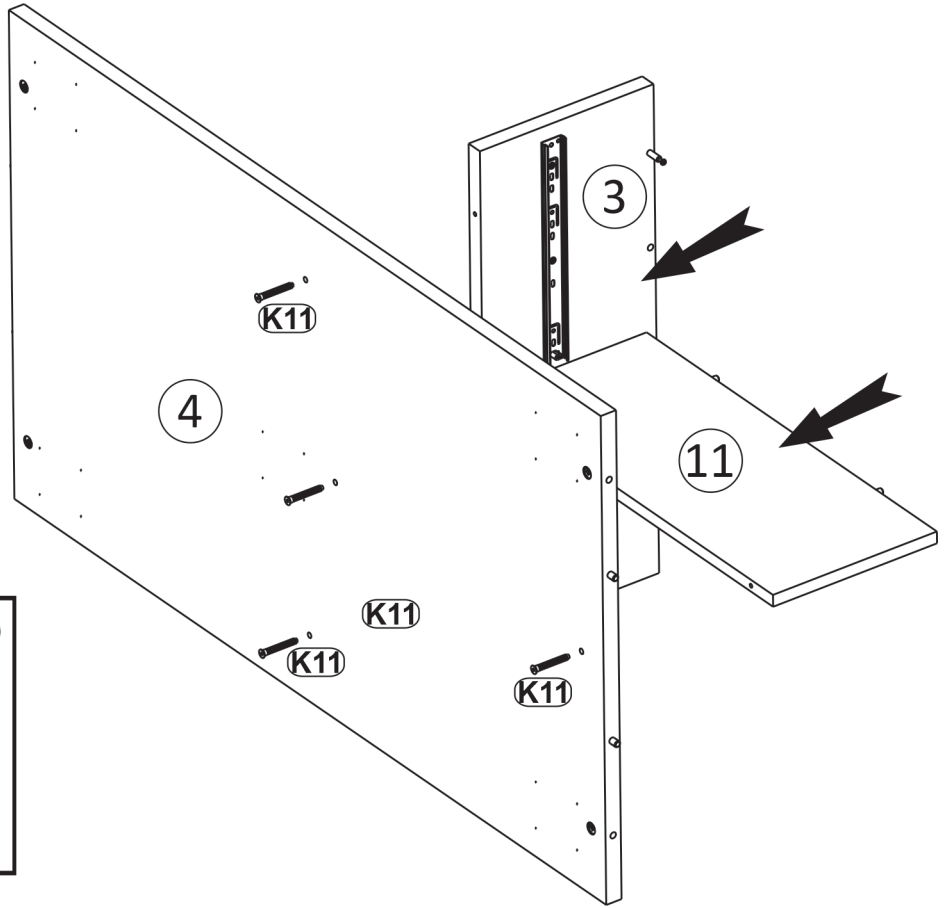
6



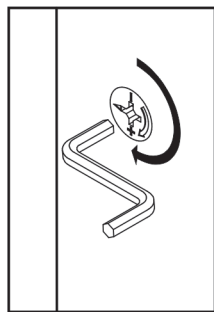
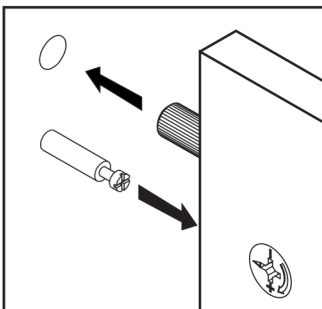
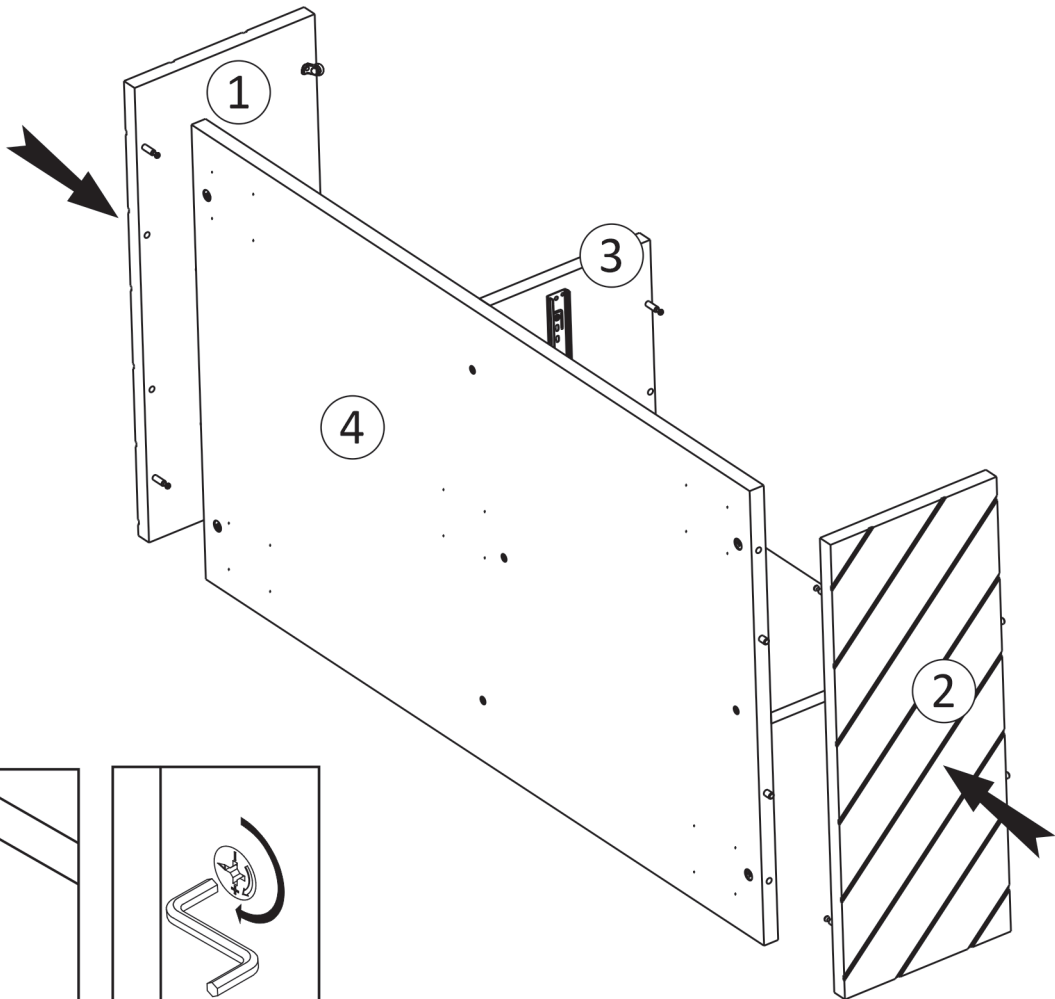
7



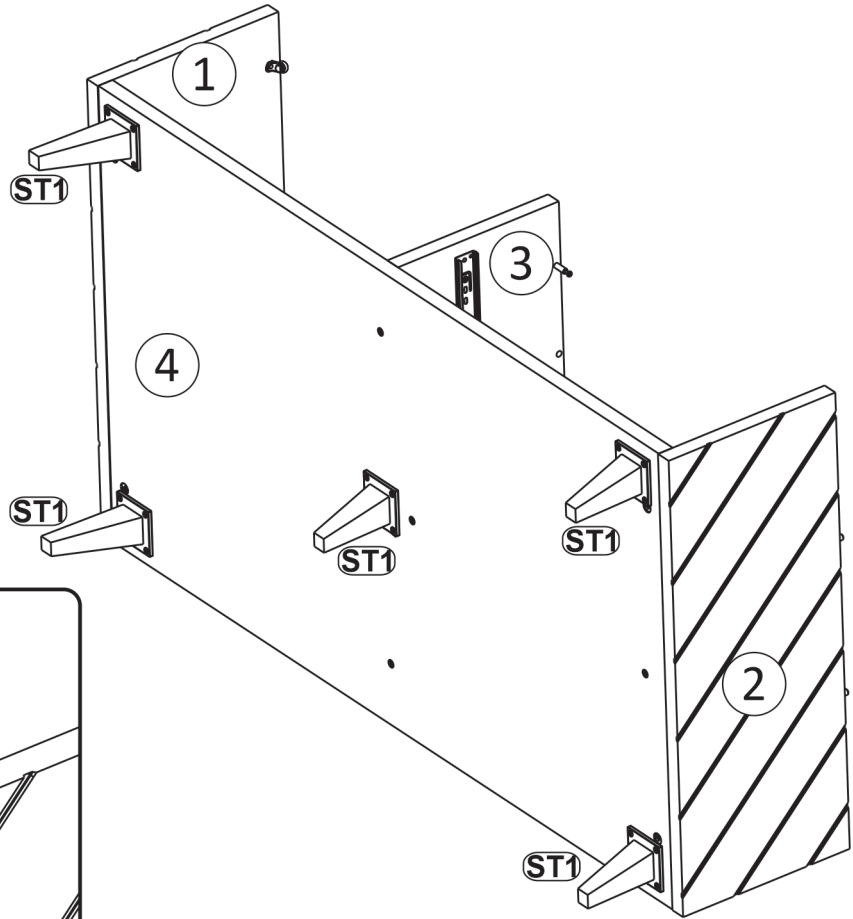
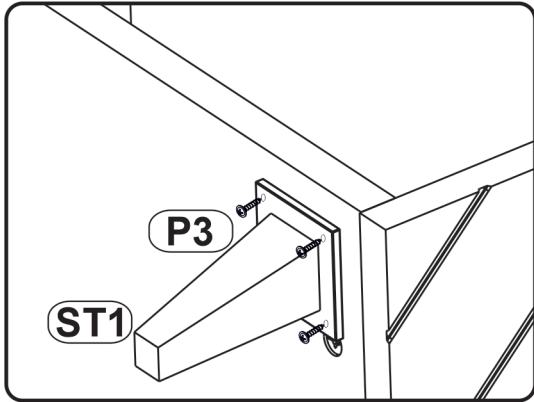
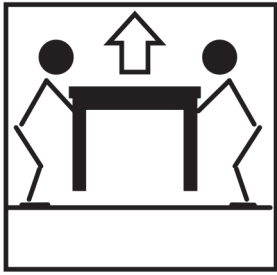
8



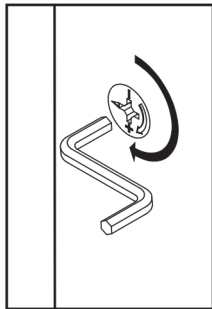
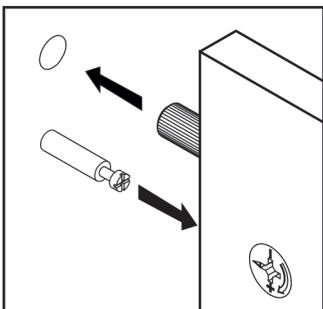
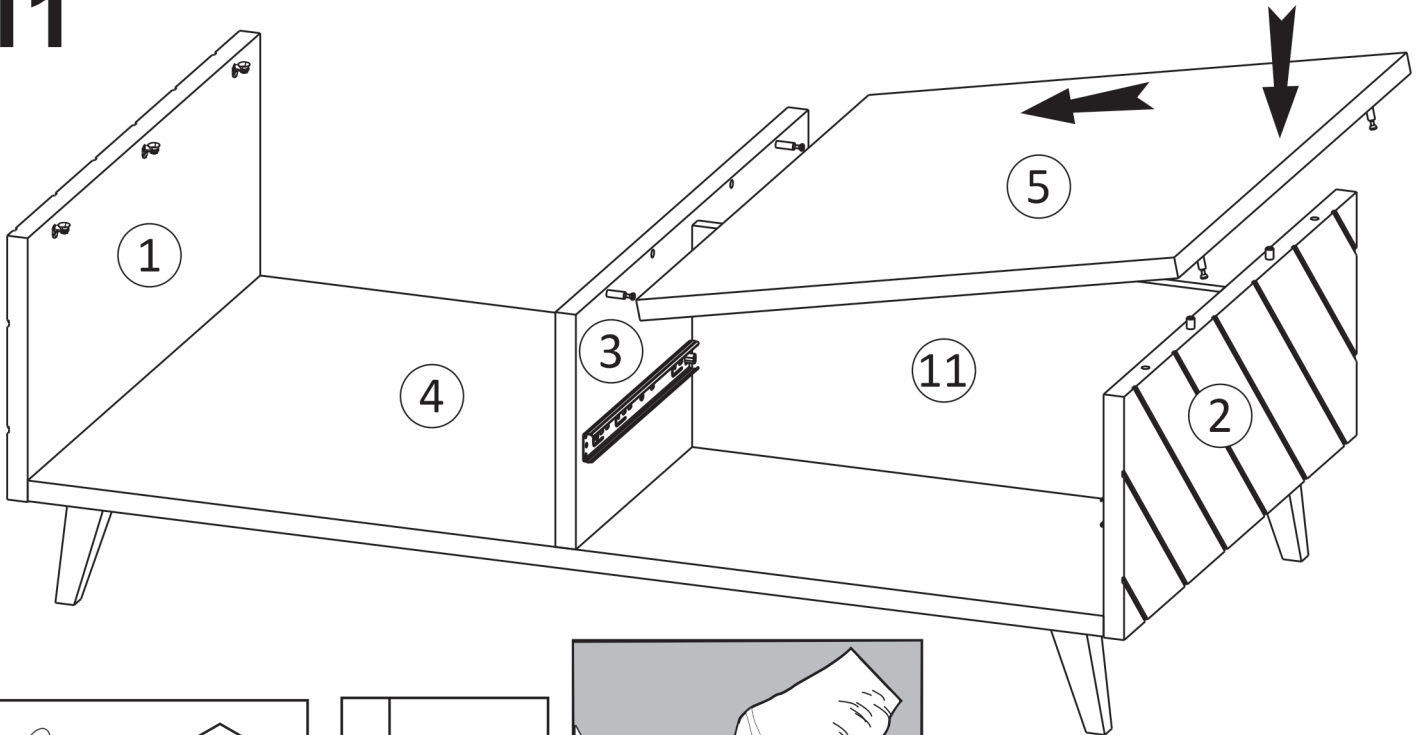
9



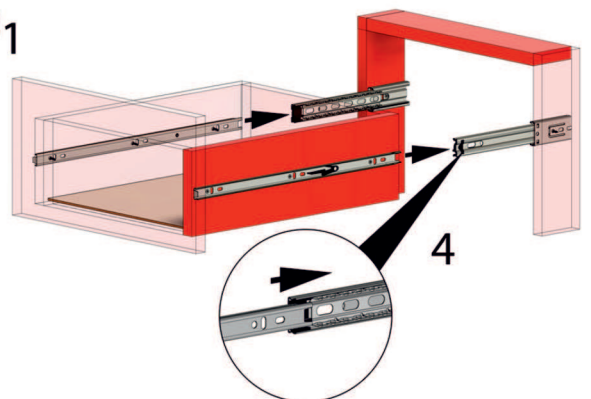
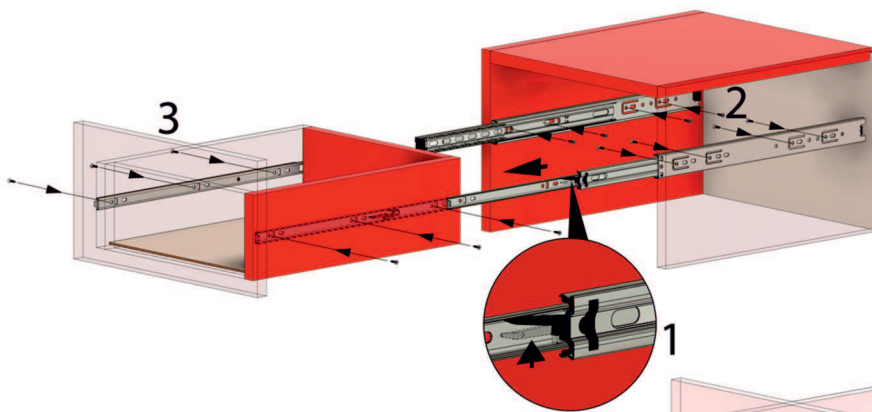
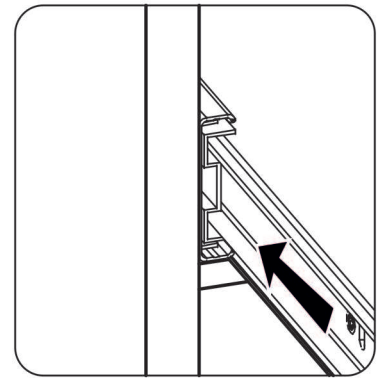
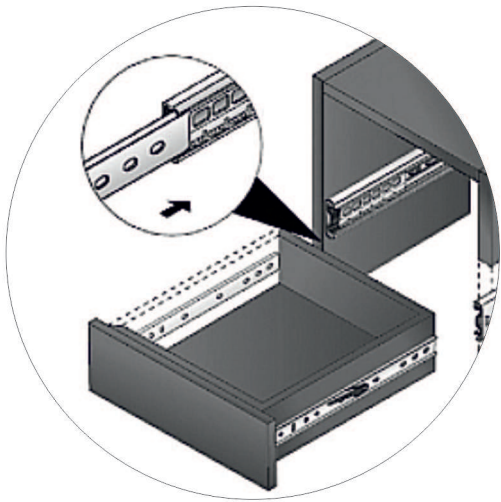
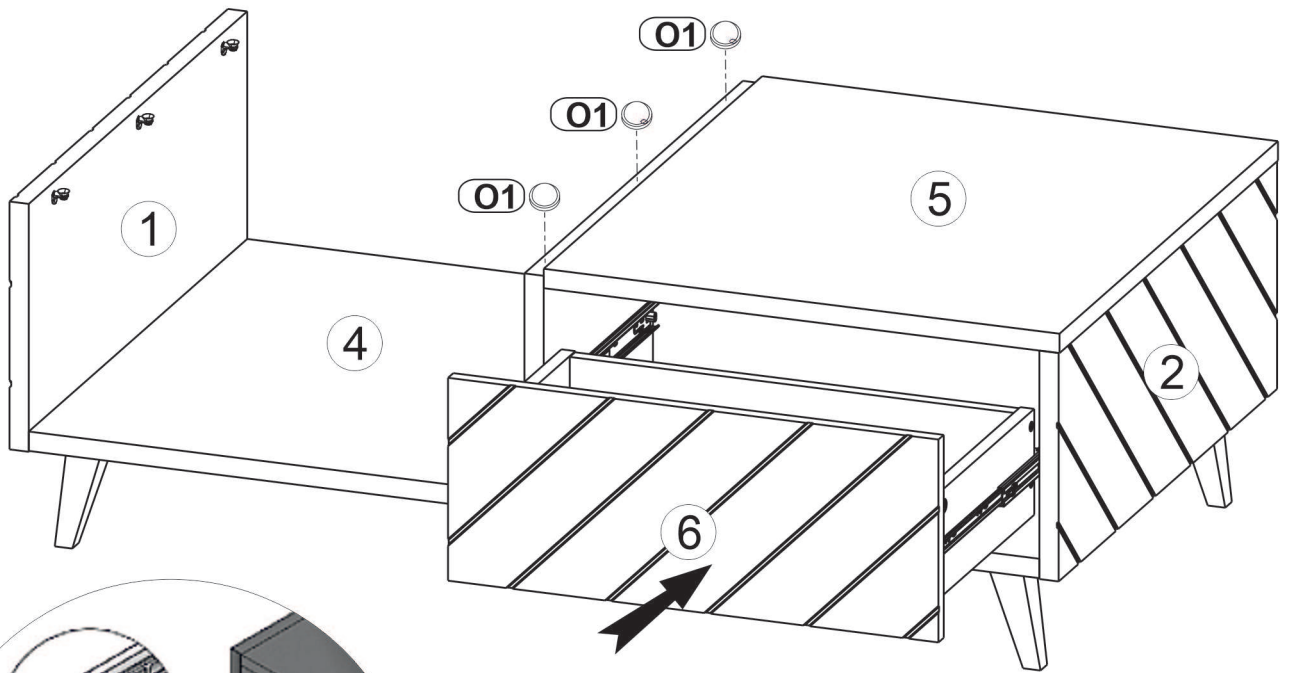
10



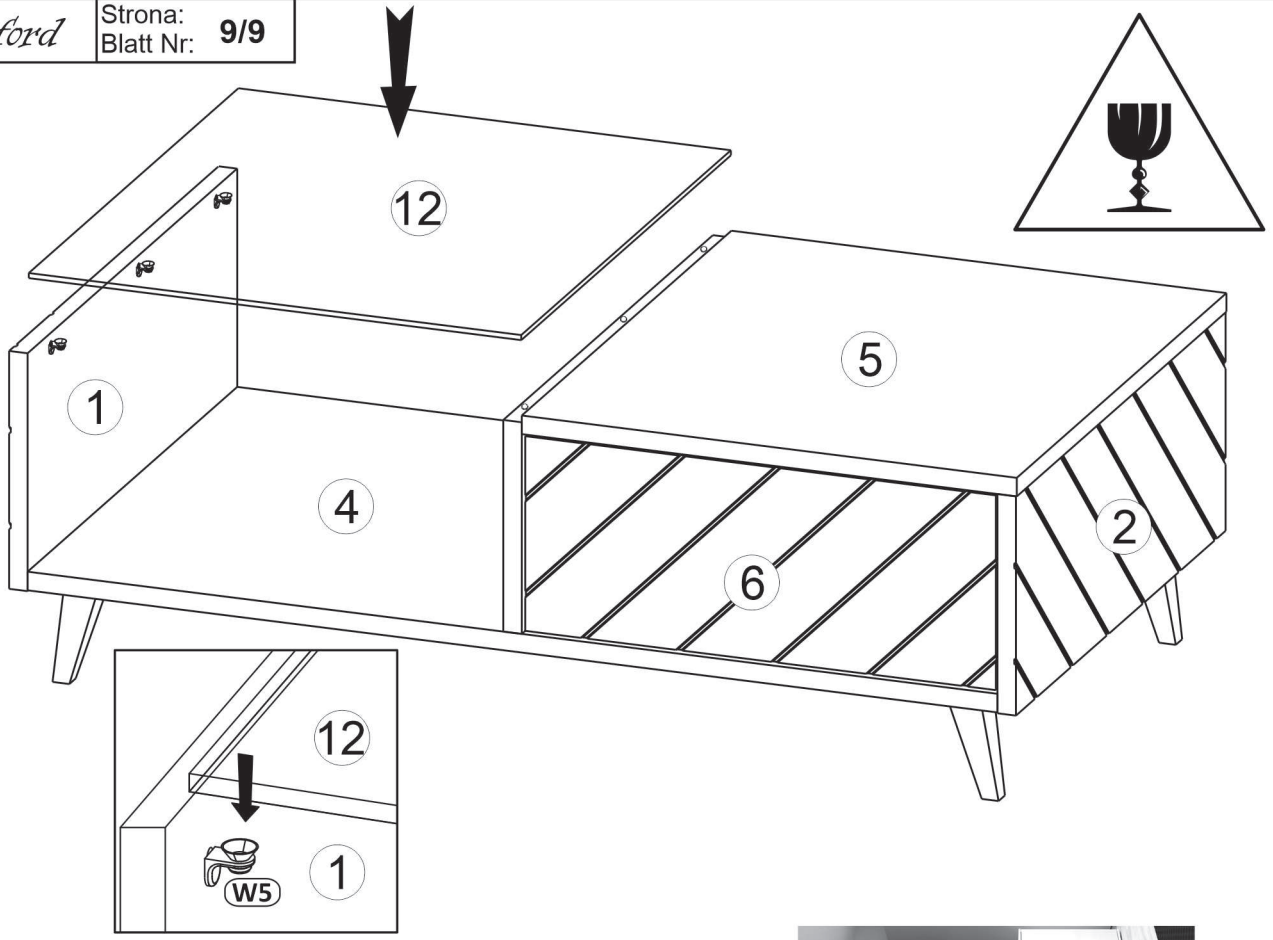
11



12



13



**Claim your extended 90 day product warranty
by registering your product at
www.meblefurniture.com/register**

**ATTENTION: DO NOT RETURN THIS PRODUCT!!!
PLEASE READ THE FOLLOWING!!!**

**IF YOU ARE MISSING AN INSTRUCTION
MANUAL OR NEED ASSEMBLY HELP:**
Please visit www.meblefurniture.com/assembly
to access our library of product assembly videos
or to download product instruction manuals.

**NOTICE REGARDING HIGH GLOSS
PROTECTIVE FOIL AND PRODUCT CARE:**
After removing the protective foil from the gloss
fronts, the acrylic surface of the boards is still
soft and easy to scratch. With air contact, the
hygroscopic acrylic layer hardens, and the
board becomes more resistant to scratches.
It takes approximately 48 hours for the acrylic
layer of the board to fully harden.

**DO NOT CLEAN, WIPE, OR POLISH THE
ACRYLIC FRONTS FOR 48 HOURS AFTER
REMOVING THE PROTECTIVE FOIL!!**

FOR REPLACEMENT/MISSING PARTS:
www.meblefurniture.com/parts

**FOR INSTRUCTION/ASSEMBLY MANUALS
AND VIDEOS:**
www.meblefurniture.com/assembly

ALL OTHER INQUIRIES:
help@meblefurniture.com

**IF YOU ARE MISSING PARTS OR YOUR
PRODUCT ARRIVED DAMAGED:**
Please fill out a parts request form at
www.meblefurniture.com/parts

Replacement parts are shipped out in one
business day. You will receive a tracking
number via email once your parts request
has been processed.

