
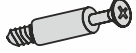






B1


K2  x12

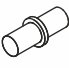
T1  x6


M1  x6


S10  3X18  x6

Z2  #15 x6

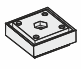
Z3  φ5 x10


W1  x4

K7  x1


K11  x6

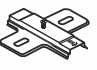
B4


U3  x5

S1  4x30 x10

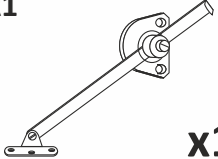
B2

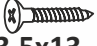
Z7  x2


Z7A  x2

S3  4x13 x4

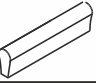
B5


R1  x1

S4  3,5x13 x2

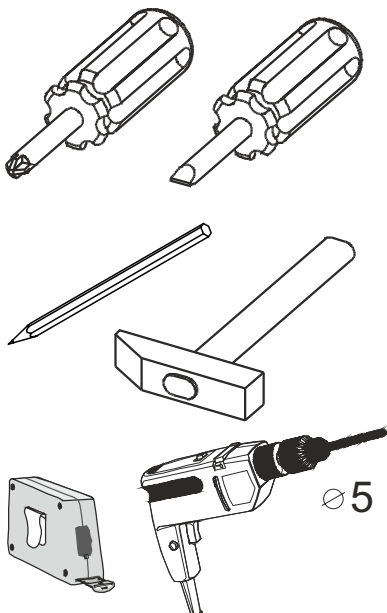
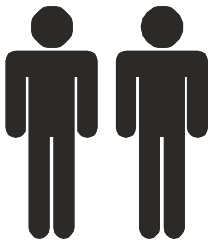
S2  3,5x16 x3

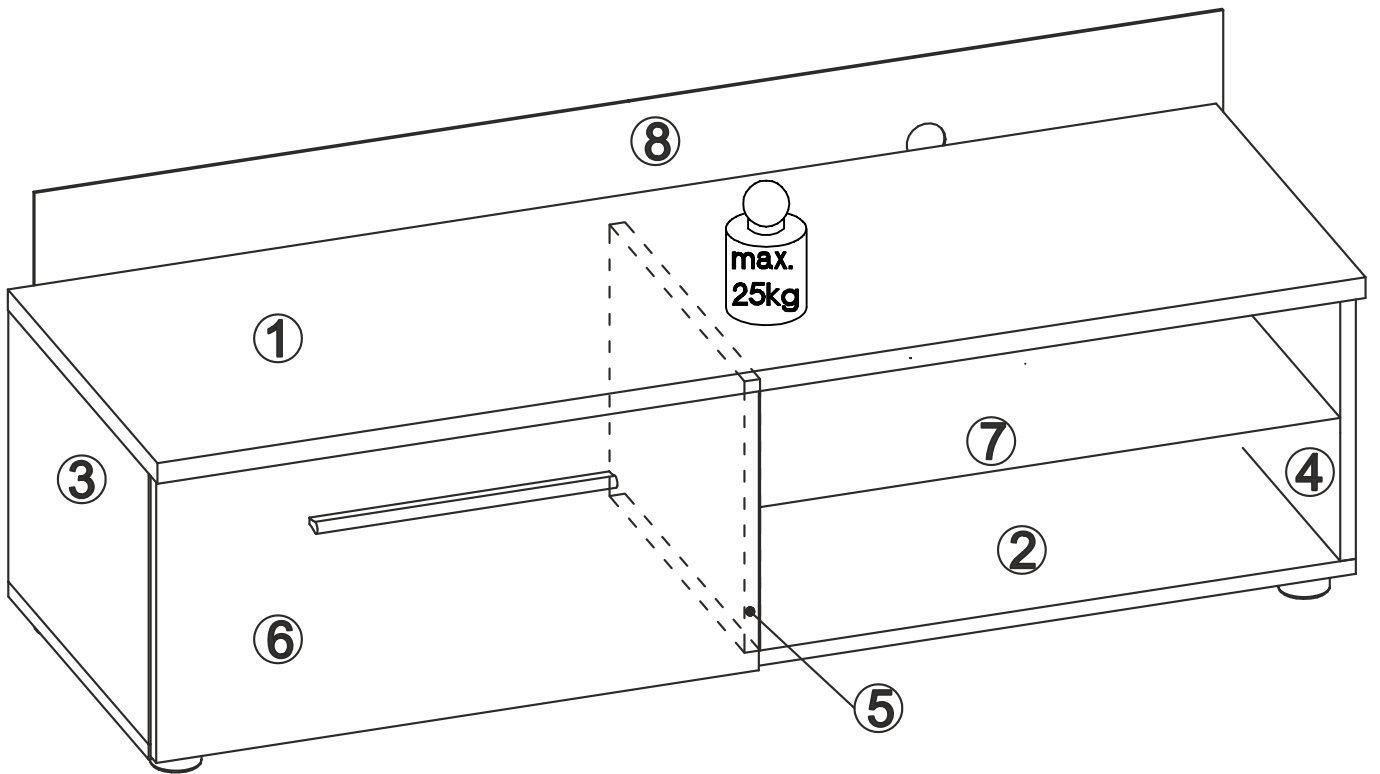
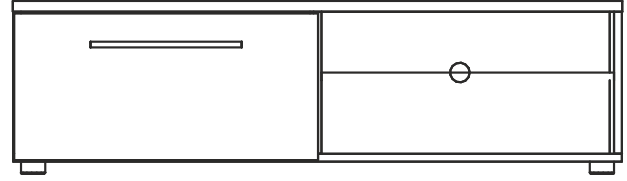
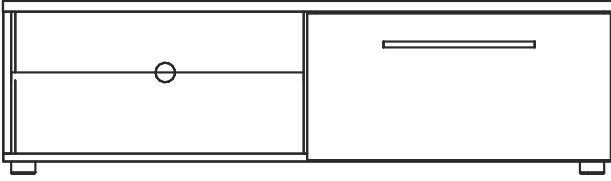
B3

U1  x1

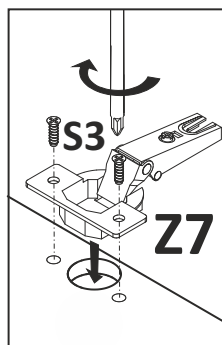
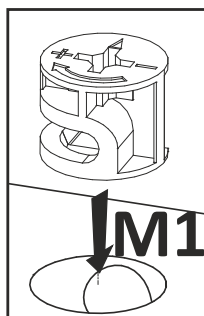
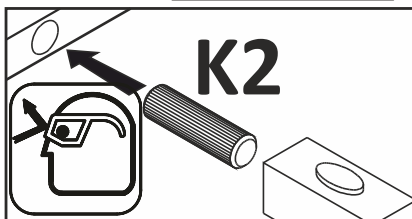
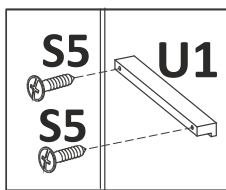
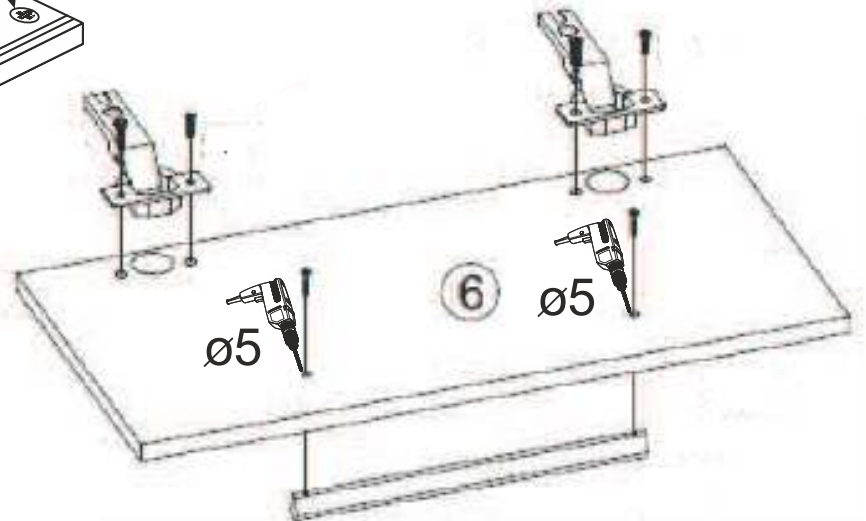
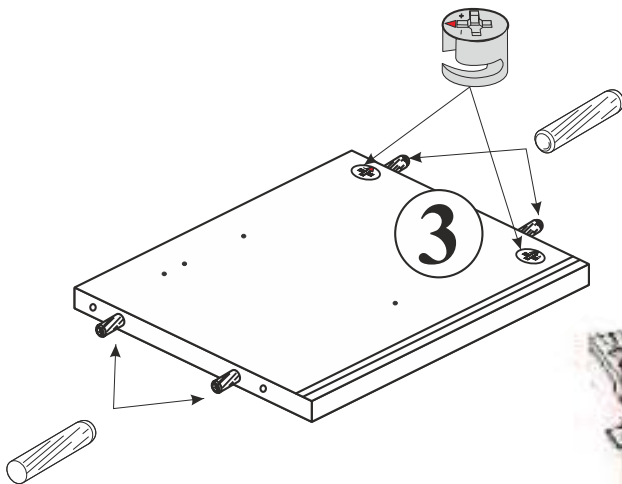
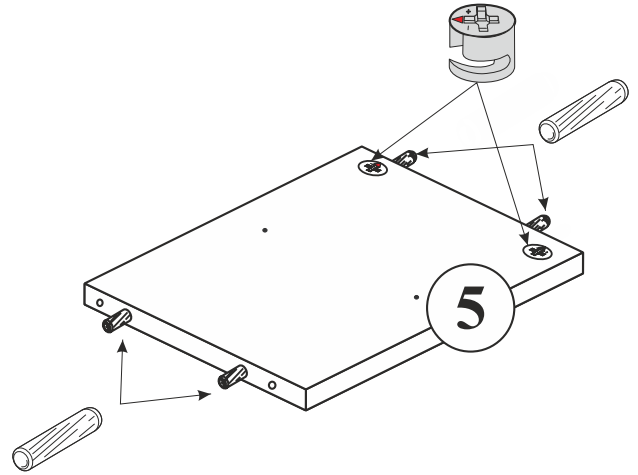
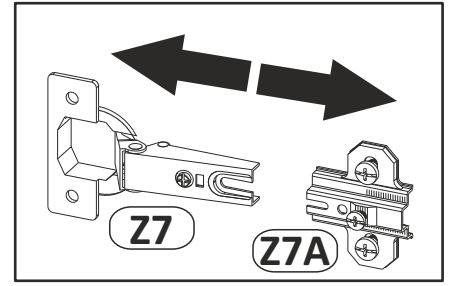
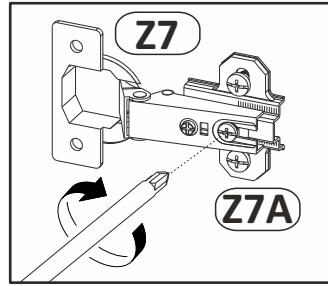
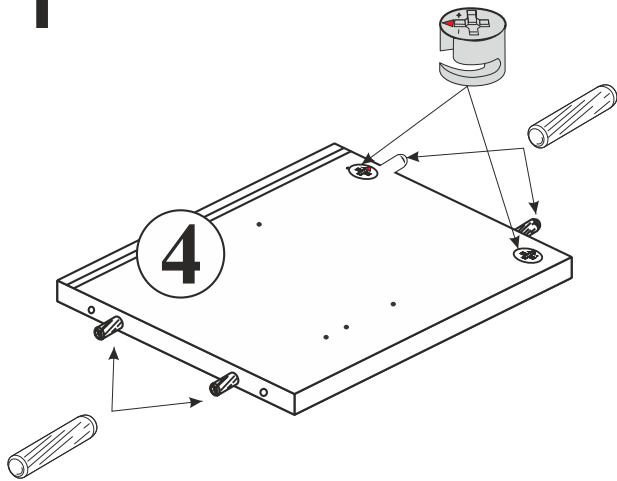
S5  4x27 x2

Use the following for assembly:

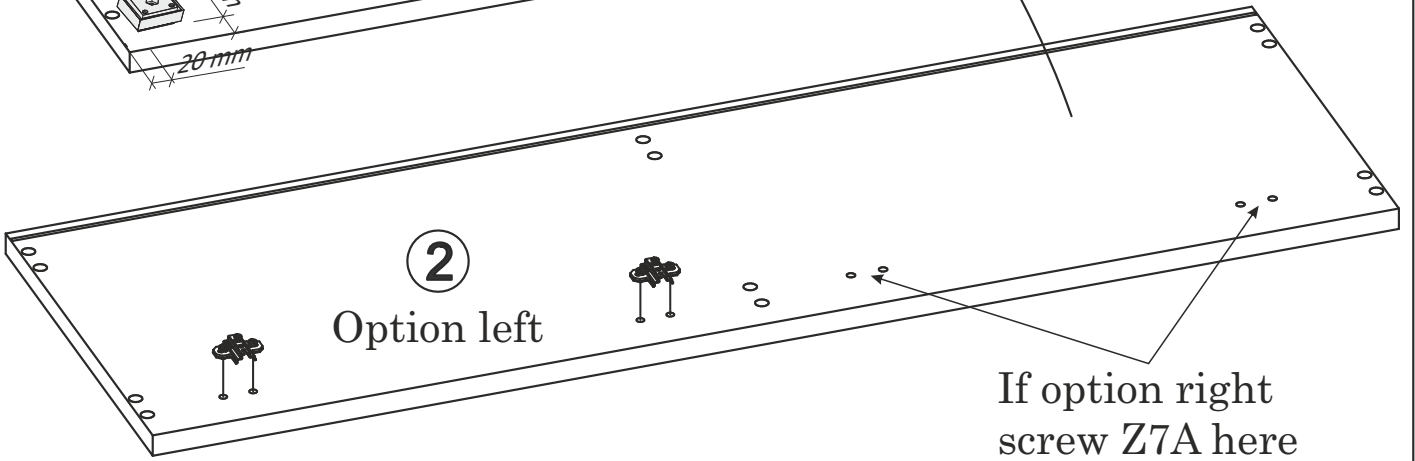
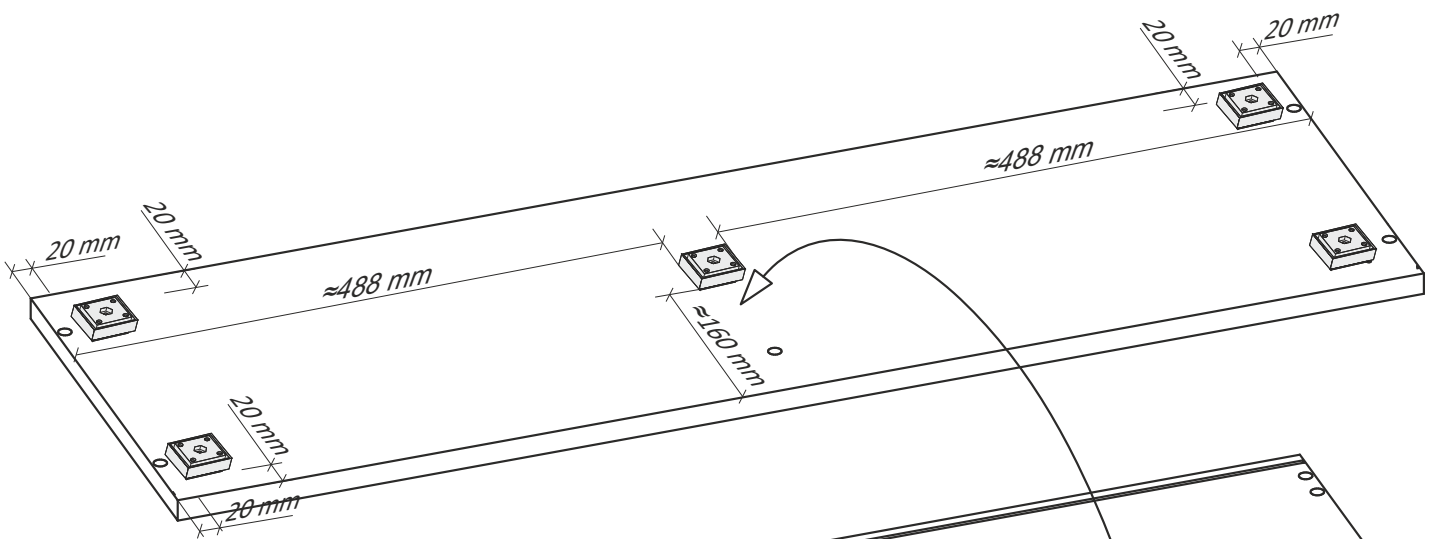
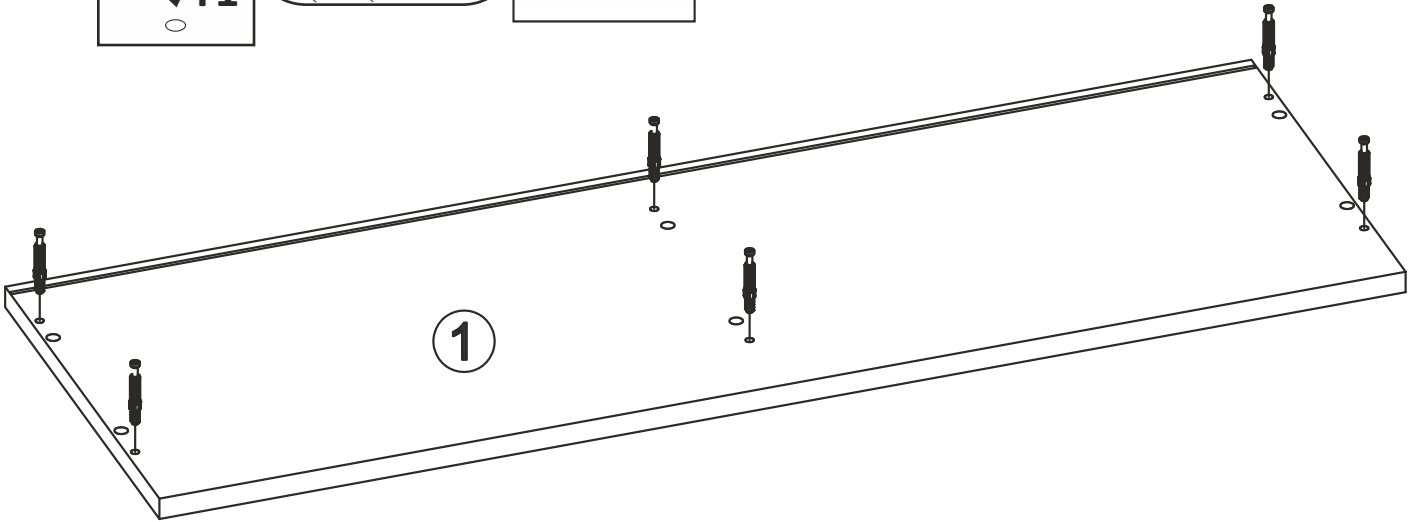
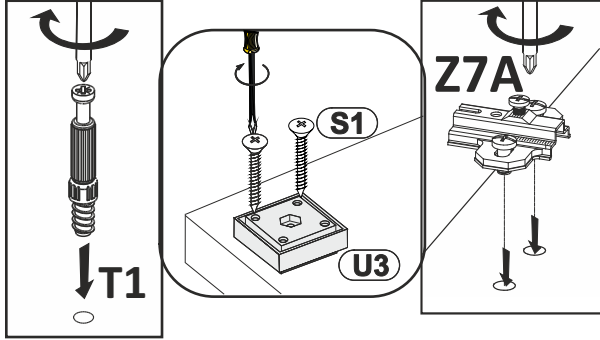




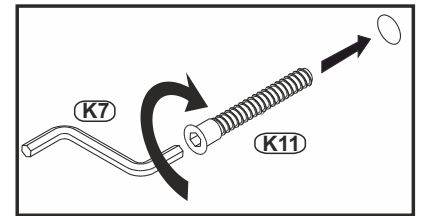
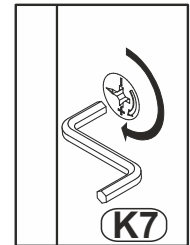
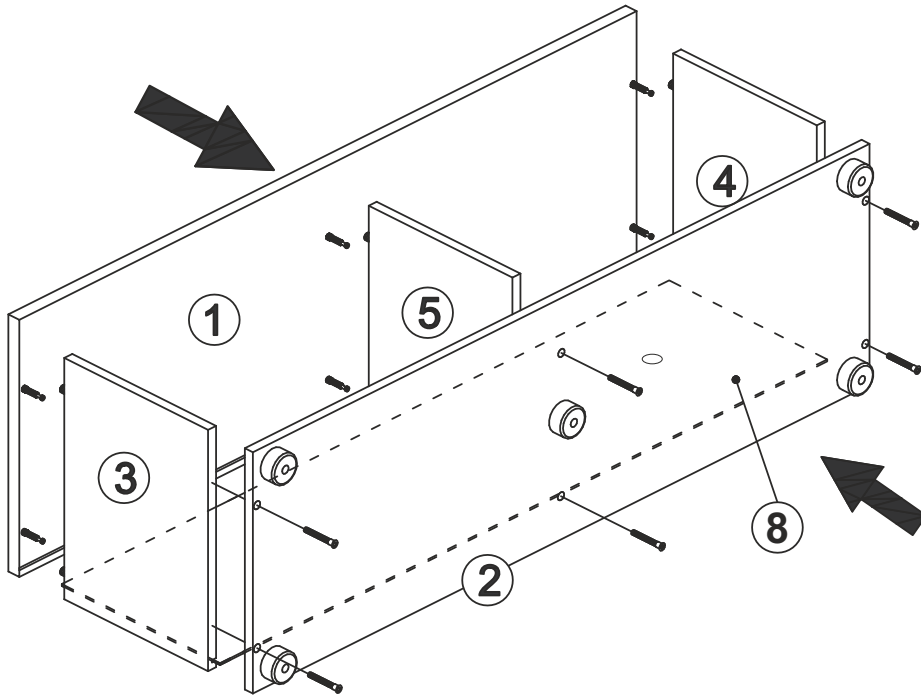
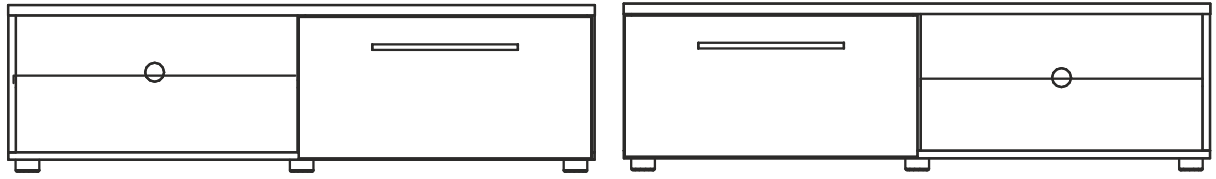
1



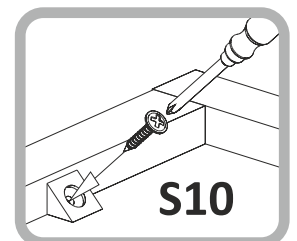
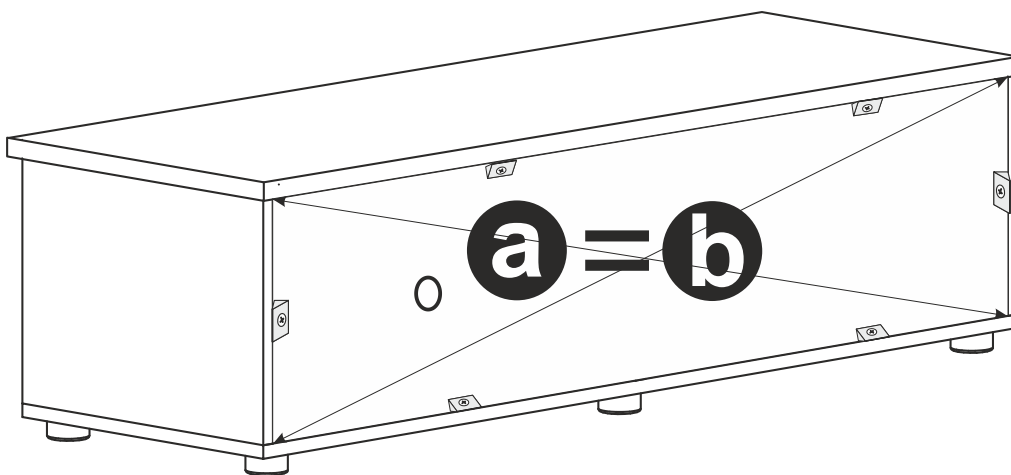
2



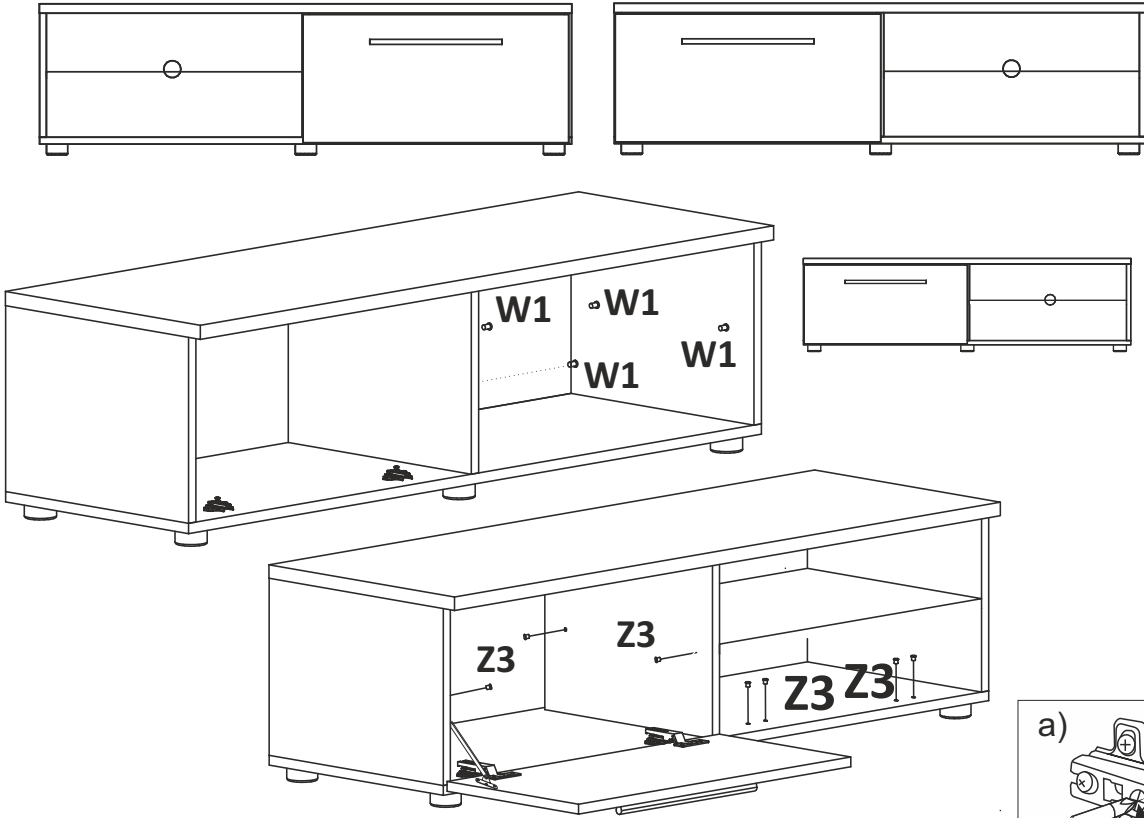
3



4



5



6

