



**Claim your extended 90 day product warranty  
by registering your product at  
[www.meblefurniture.com/register](http://www.meblefurniture.com/register)**

**ATTENTION: DO NOT RETURN THIS PRODUCT!!!  
PLEASE READ THE FOLLOWING!!!**

**FOR REPLACEMENT/MISSING PARTS:**

[www.meblefurniture.com/parts](http://www.meblefurniture.com/parts)

**FOR INSTRUCTION/ASSEMBLY MANUALS  
AND VIDEOS:**

[www.meblefurniture.com/assembly](http://www.meblefurniture.com/assembly)

**ALL OTHER INQUIRIES:**

[help@meblefurniture.com](mailto:help@meblefurniture.com)

**IF YOU ARE MISSING PARTS OR YOUR  
PRODUCT ARRIVED DAMAGED:**

Please fill out a parts request form at  
[www.meblefurniture.com/parts](http://www.meblefurniture.com/parts)

Replacement parts are shipped out in one business day. You will receive a tracking number via email once your parts request has been processed.

**IF YOU ARE MISSING AN INSTRUCTION  
MANUAL OR NEED ASSEMBLY HELP:**

Please visit [www.meblefurniture.com/assembly](http://www.meblefurniture.com/assembly) to access our library of product assembly videos or to download product instruction manuals.

**NOTICE REGARDING HIGH GLOSS  
PROTECTIVE FOIL AND PRODUCT CARE:**

After removing the protective foil from the gloss fronts, the acrylic surface of the boards is still soft and easy to scratch. With air contact, the hygroscopic acrylic layer hardens, and the board becomes more resistant to scratches. It takes approximately 48 hours for the acrylic layer of the board to fully harden.

**DO NOT CLEAN, WIPE, OR POLISH THE  
ACRYLIC FRONTS FOR 48 HOURS AFTER  
REMOVING THE PROTECTIVE FOIL!!!**



[help@meblefurniture.com](mailto:help@meblefurniture.com)

# LED Light Kit Instruction Manual

## What's Included in your LED Light Kit

- **LED Glass Clips and/or LED Pucks** – LED glass clips are placed directly onto glass, and emit light throughout the glass. LED pucks are attached to the surface without the need for any tools, and provide even light distribution.
- **RGB Receiver** – Transmits signal to the remote, allowing you to control your light settings. Your LED lights are 16 colored, and have different light settings.
- **Remote Control** – Allows you to easily turn your lights on/off and adjust the color as desired.
- **Splitter** – Used to connect your lights to your power supply.
- **USA Power Supply** – Used to power your LED light kit.

## How to Install your Lights

1. Before installing, lay out all the products inside of the LED light kit package.
  - a. Connect each LED light to the splitter.
  - b. Connect the splitter to the RGB receiver.
  - c. Connect the RGB receiver to the power supply.
  - d. Plug the power supply into an outlet and press the ON button using the remote.
  - e. Check that everything is in working order, and then unplug your power supply & proceed with install.
2. If you have LED glass clips, you can clip them directly onto the back of the glass shelf. Never place LED lights where they are directly visible (on the front of the shelves), as they will be too bright.
3. If you have LED pucks, make sure the area where you want to attach your LED pucks is clean of dirt and debris, then attach the lights to the top of the shelves.
4. Finally, re-connect your power supply to the electrical outlet, and use your remote to change the lights to your desired color.
5. Enjoy your new TV stand lighting!

## Troubleshooting

- **LED Lights Not Turning On**
  - Check your connections to make sure everything is plugged in.
  - The issue might be with the remote (refer to "Remote Not Working" section).
- **Remote Not Working**
  - Try moving closer to the receiver in case your remote is not in range.
  - Check to see if anything is blocking the signal between the remote and the receiver.
  - Make sure the receiver is exposed when installing.
- **Request a Free Replacement LED Light Kit**
  - If you are still experiencing issues after troubleshooting, you can request a replacement LED light kit shipped to you free of charge. To request a free replacement kit, please do one of the following:
    - Fill out the Parts Request form at [www.mebleus.com/parts](http://www.mebleus.com/parts), or email [help@meblefurniturerugs.com](mailto:help@meblefurniturerugs.com).

# IMPORTANT SAFETY INFORMATION

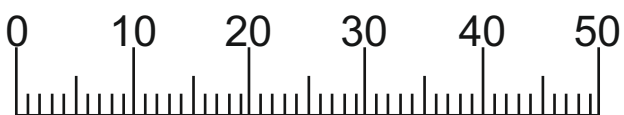
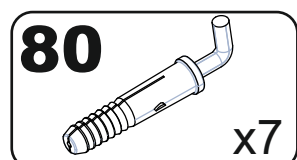
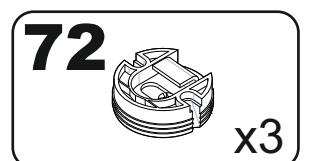
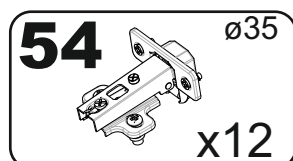
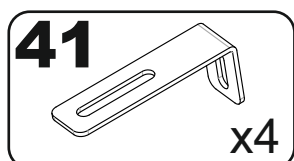
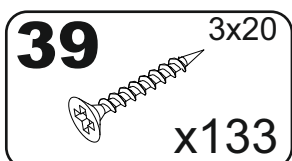
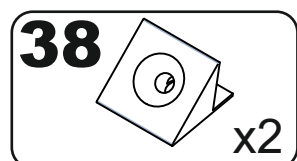
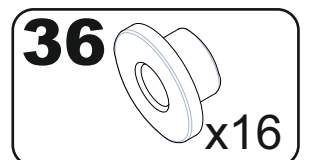
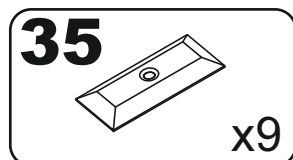
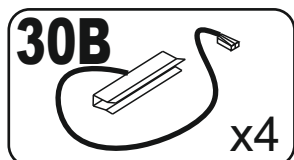
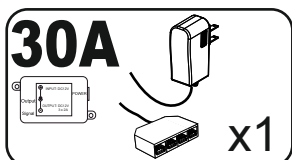
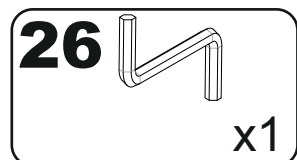
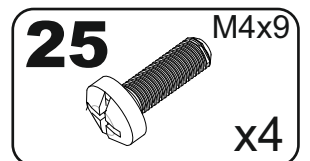
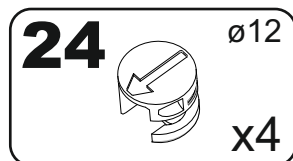
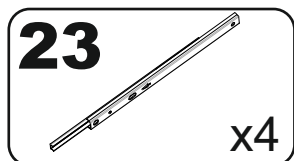
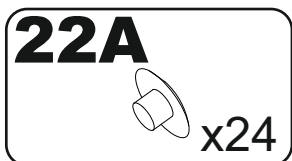
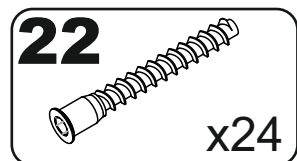
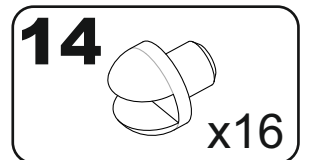
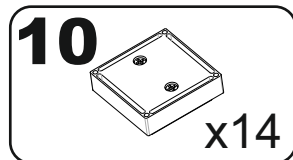
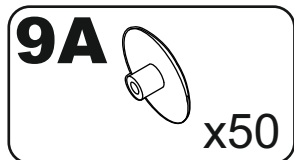
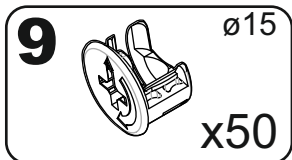
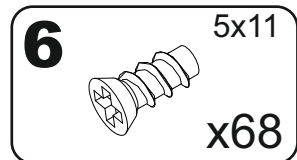
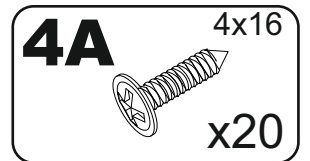
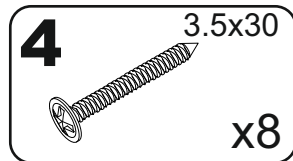
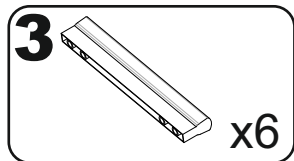
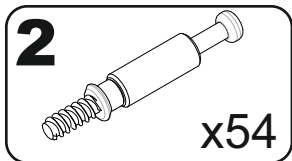
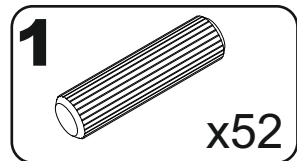
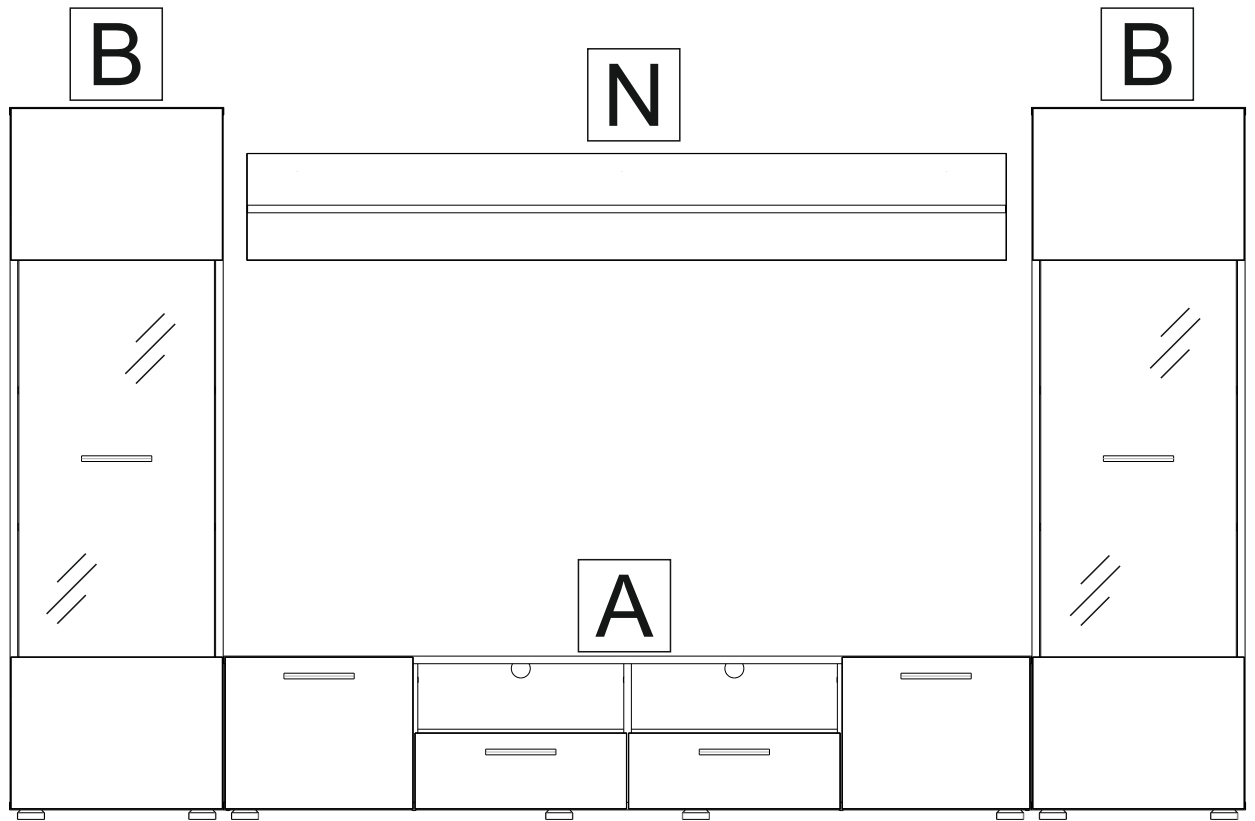
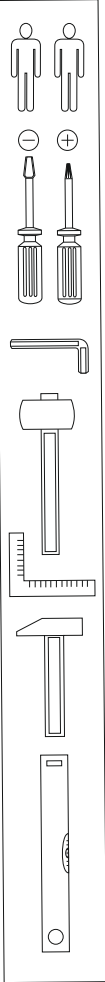
## WALL MOUNTING FURNITURE SAFETY INFORMATION AND WARNING

**ATTENTION:** This article provides basic information for mounting your wall mounted floating furniture to a wall using a wall mount bracket.

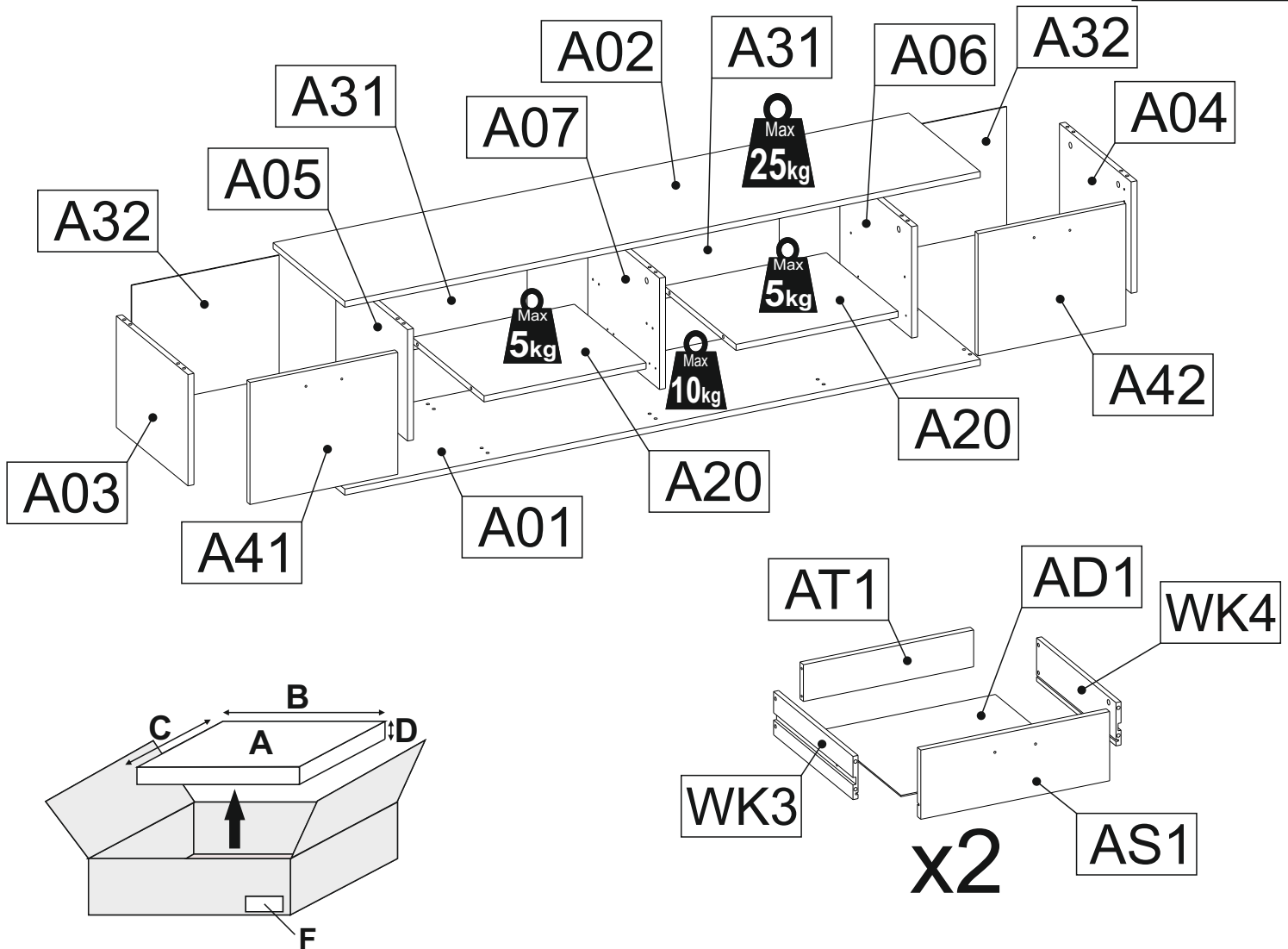
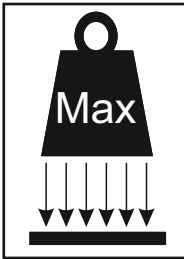
- **WARNING!** There's a risk of damage to your furniture and wall and injury to person if you don't follow the assembly or installation instructions correctly. We're not liable for any damages or injury caused by mishandling or improper installation of the wall-mount bracket.
- **WARNING!** If you use substitute items other than the supplied screws, the furniture may fall and cause physical injury to someone or damage to the furniture and/or wall.
- **WARNING!** Do not attempt to mount furniture that is not sold as wall mounting furniture.
- We strongly recommend that a qualified professional install your furniture on the wall for product protection and safety reasons. Sufficient expertise is required to determine the strength of the wall for withstanding the furniture's weight.
- Check the wall-mount installation manual supplied with your furniture for information on how to properly mount your furniture. Product manuals are posted on our website at <https://meblefurniturerugs.com/pages/assembly>.
- We don't guarantee the use of third-party wall mount brackets or screws.
- Use the screws supplied with the wall-mount bracket when you attach the wall-mount bracket to the furniture.
- Any repairs or modifications done to the included wall mount bracket or any part of the wall mounted furniture are not recommended, and may cause an increased risk of damage to your furniture and wall, and potentially injury to person. Any repairs or modifications will void all warranty and technical support for this unit.

**SAVE THIS SAFETY INFORMATION AND WARNING FOR FUTURE REFERENCE**



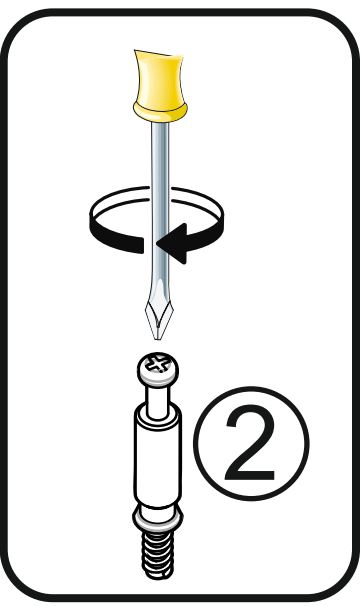
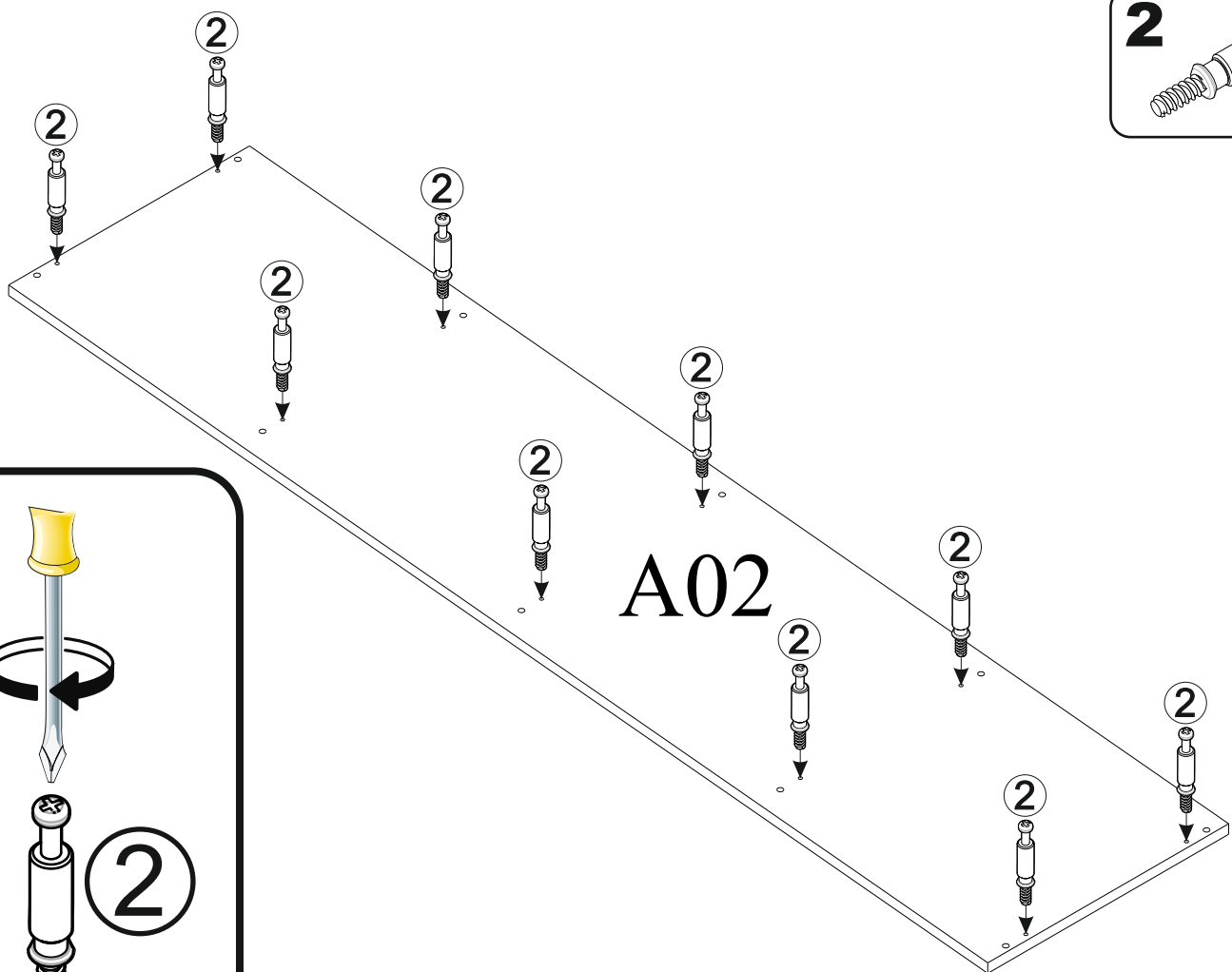
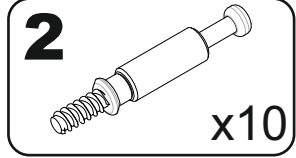


# A

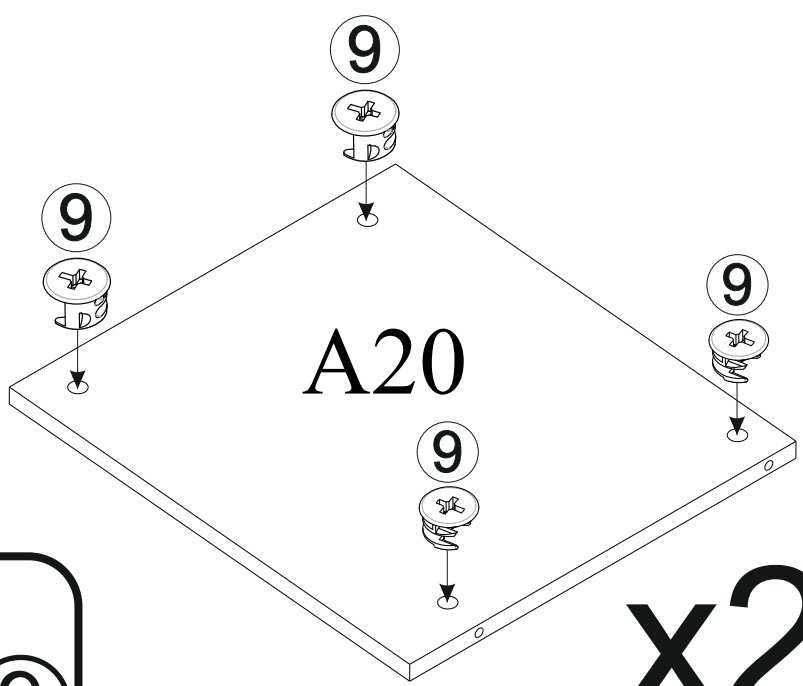
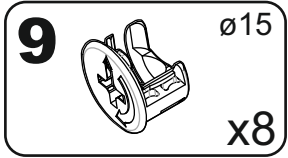


| A   | B (in) | B (mm) | C (in) | C (mm) | D (in) | D (mm) | E (Qty) | F (Box) |
|-----|--------|--------|--------|--------|--------|--------|---------|---------|
| A01 | 67,01  | 1702   | 15,12  | 384    | 0,63   | 16     | 1       | 1 3     |
| A02 | 67,01  | 1702   | 15,12  | 384    | 0,63   | 16     | 1       | 1 3     |
| A03 | 11,50  | 292    | 15,12  | 384    | 0,63   | 16     | 1       | 1 3     |
| A04 | 11,50  | 292    | 15,12  | 384    | 0,63   | 16     | 1       | 1 3     |
| A05 | 11,50  | 292    | 15,12  | 384    | 0,63   | 16     | 1       | 1 3     |
| A06 | 11,50  | 292    | 15,12  | 384    | 0,63   | 16     | 1       | 1 3     |
| A07 | 11,50  | 292    | 15,12  | 384    | 0,63   | 16     | 1       | 1 3     |
| A20 | 17,09  | 434    | 15,12  | 384    | 0,63   | 16     | 2       | 1 3     |
| A31 | 17,72  | 450    | 12,60  | 320    | 0,12   | 3      | 2       | 1 3     |
| A32 | 15,55  | 395    | 12,60  | 320    | 0,12   | 3      | 2       | 1 3     |
| A41 | 12,60  | 320    | 15,59  | 396    | 0,63   | 16     | 1       | 1 3     |
| A42 | 12,60  | 320    | 15,59  | 396    | 0,63   | 16     | 1       | 1 3     |
| AD1 | 16,22  | 412    | 14,88  | 378    | 0,12   | 3      | 2       | 1 3     |
| AS1 | 6,30   | 160    | 17,56  | 446    | 0,63   | 16     | 2       | 1 3     |
| AT1 | 15,83  | 402    | 3,35   | 85     | 0,63   | 16     | 2       | 1 3     |
| WK3 | 14,76  | 375    | 3,94   | 100    | 0,47   | 12     | 2       | 1 3     |
| WK4 | 14,76  | 375    | 3,94   | 100    | 0,47   | 12     | 2       | 1 3     |

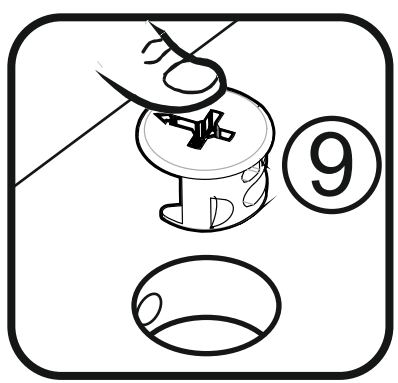
# 1



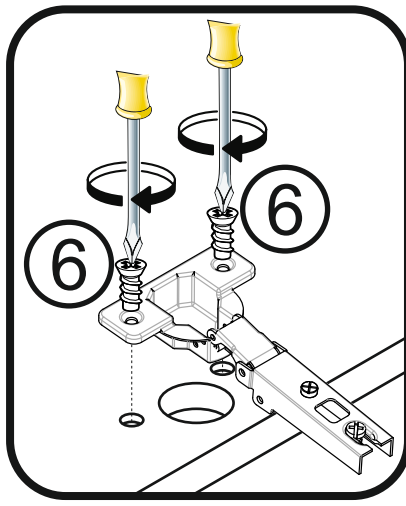
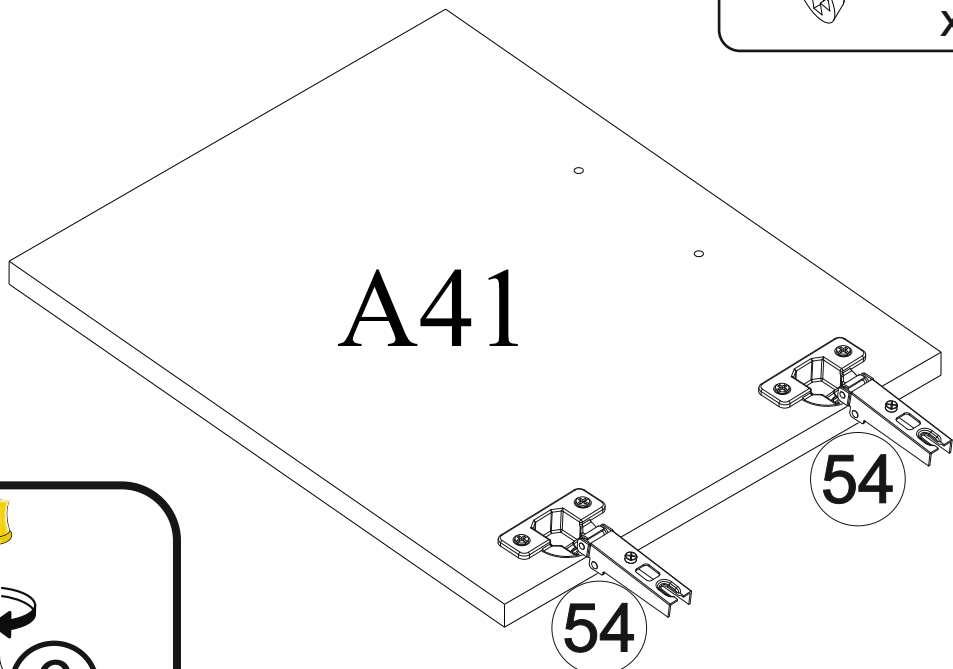
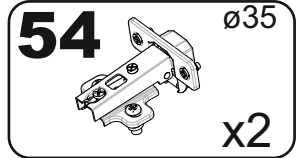
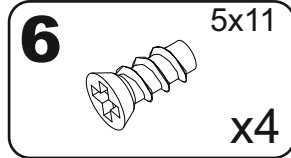
# 2



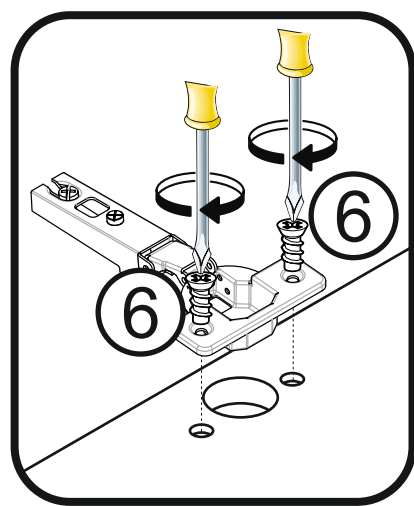
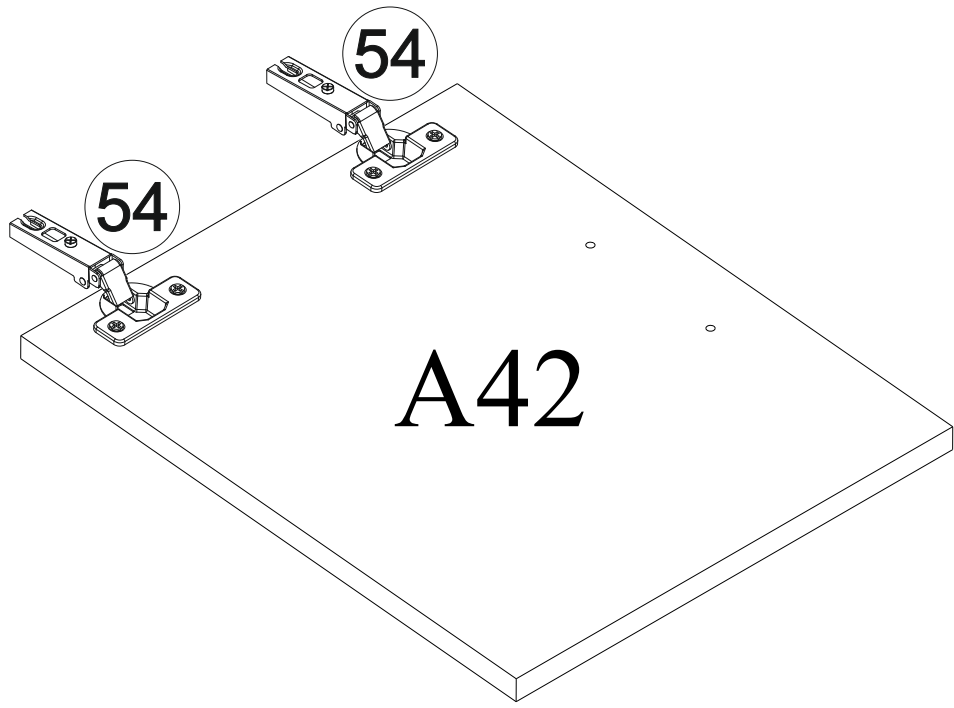
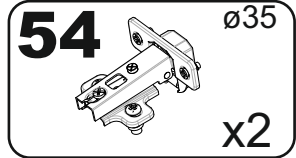
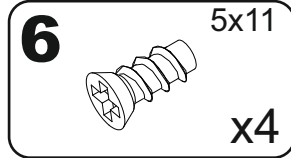
# x2



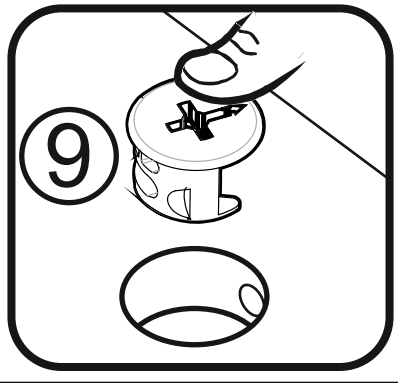
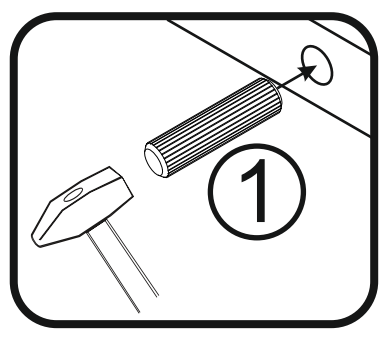
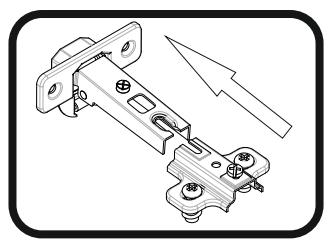
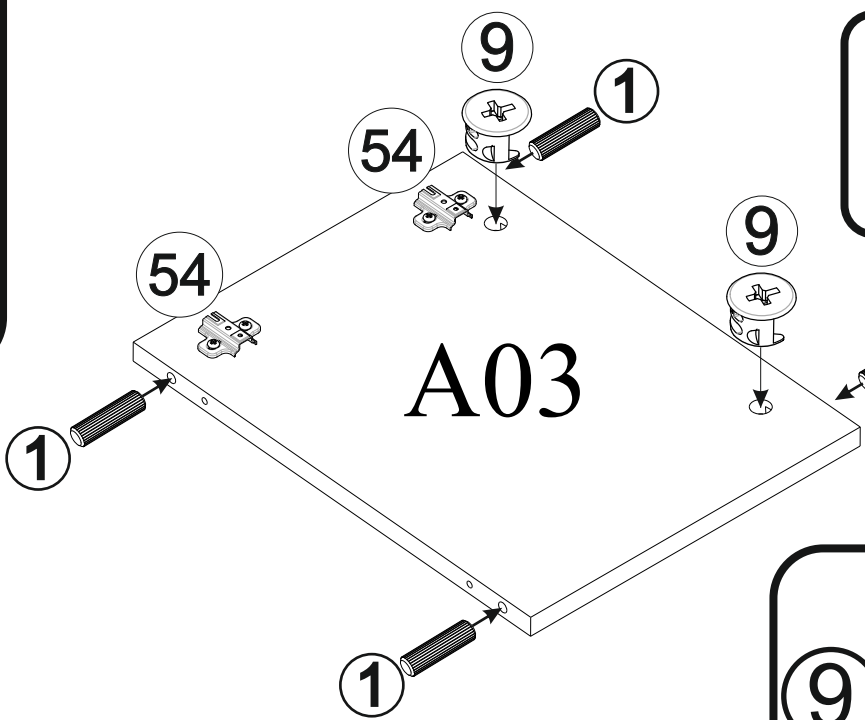
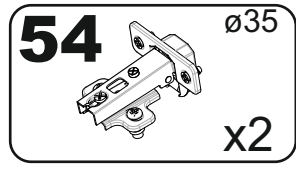
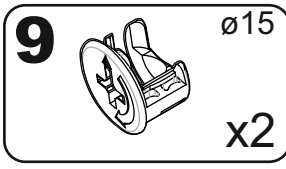
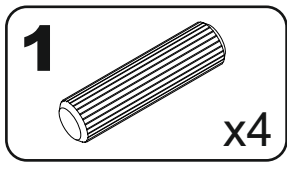
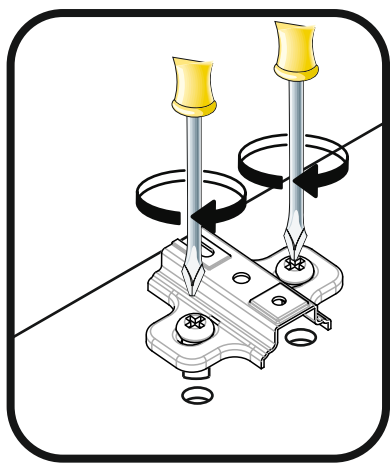
# 3



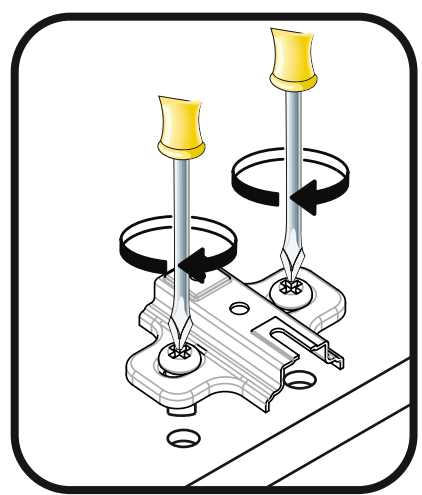
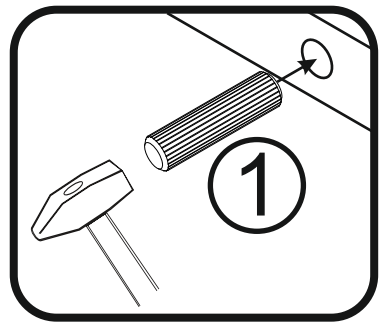
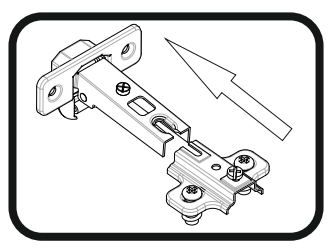
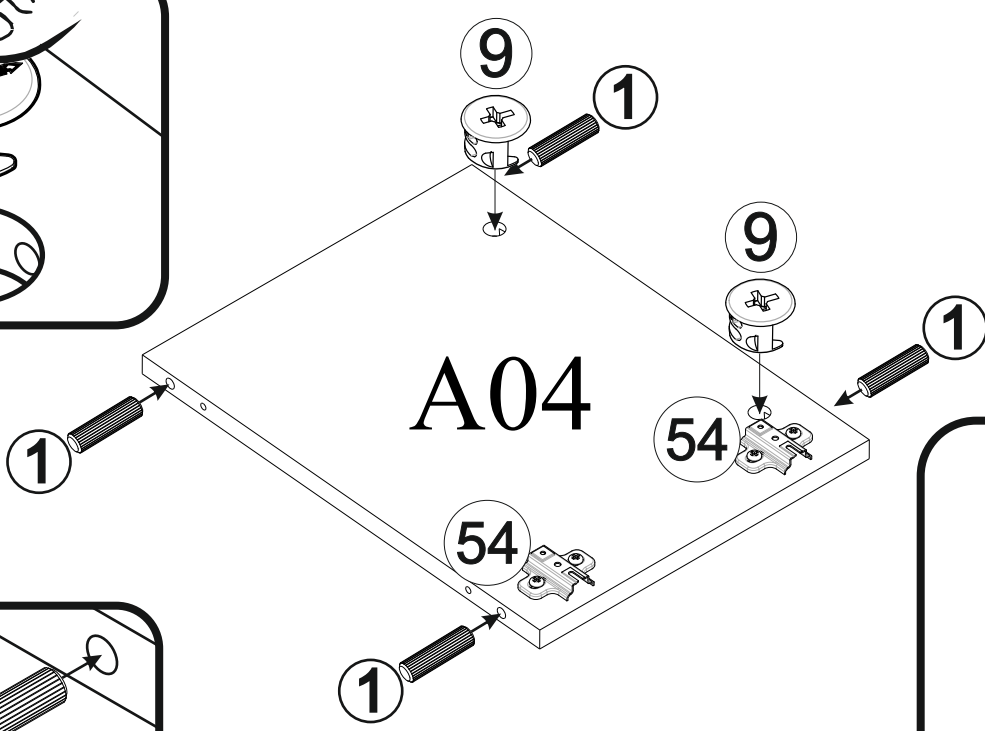
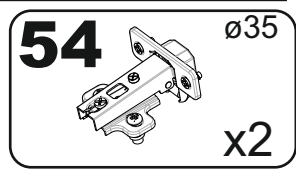
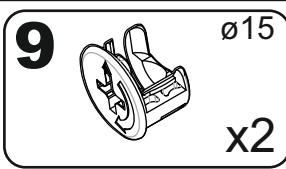
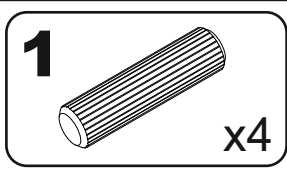
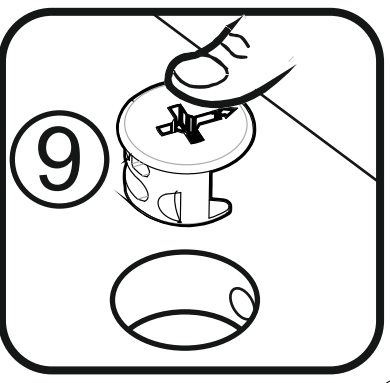
# 4



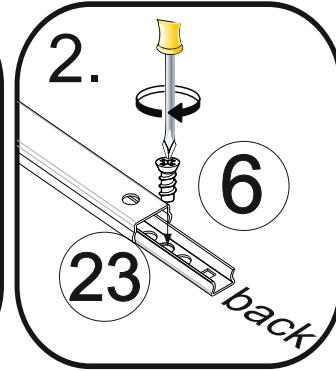
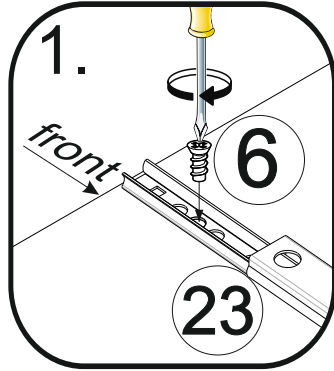
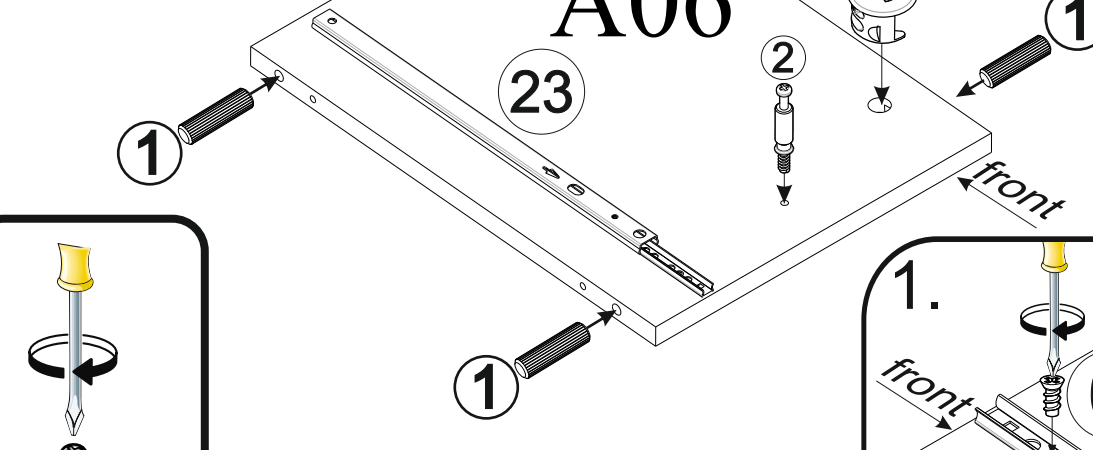
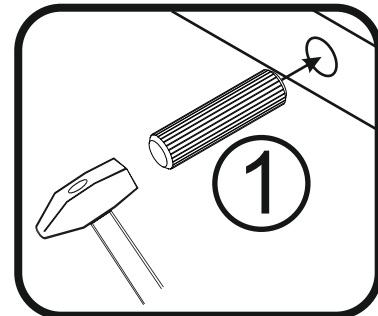
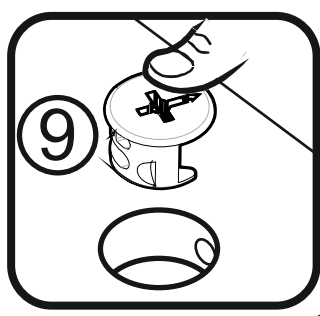
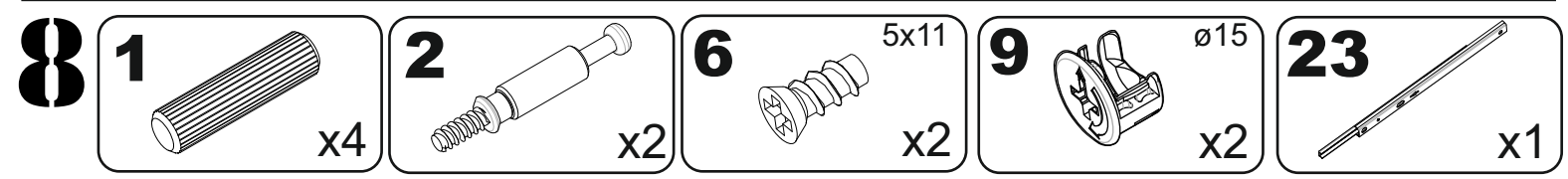
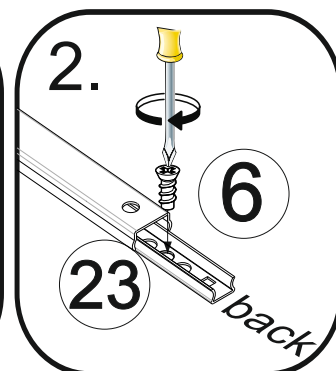
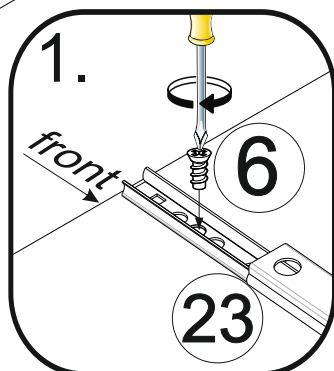
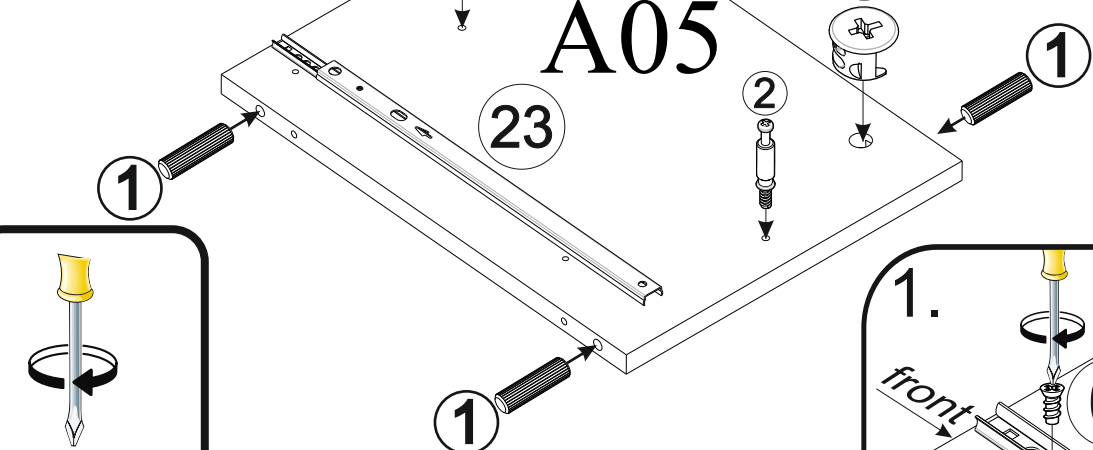
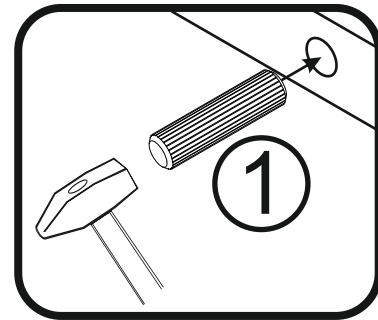
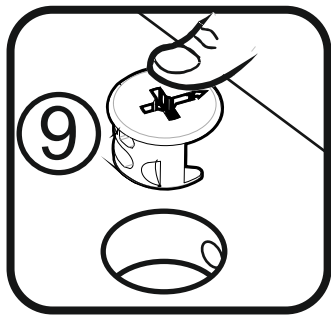
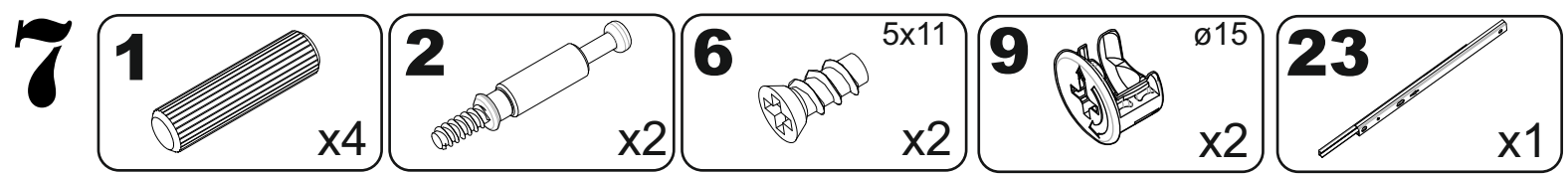
# 5

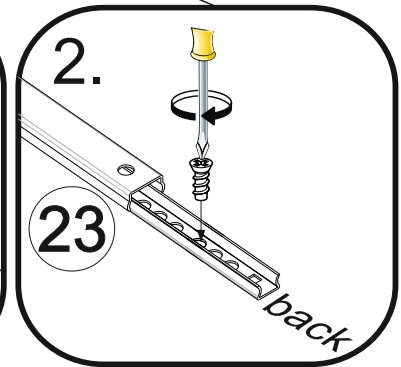
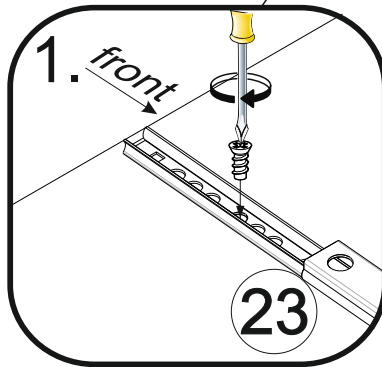
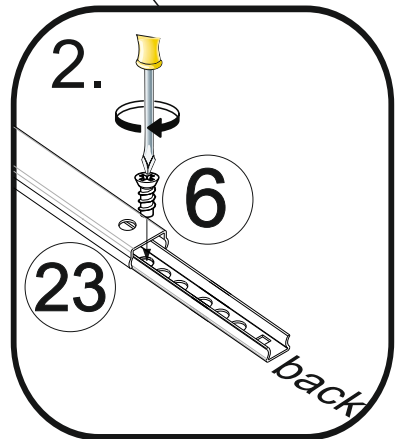
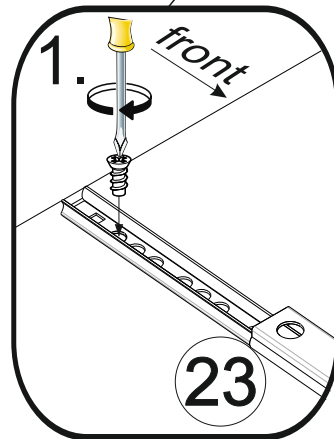
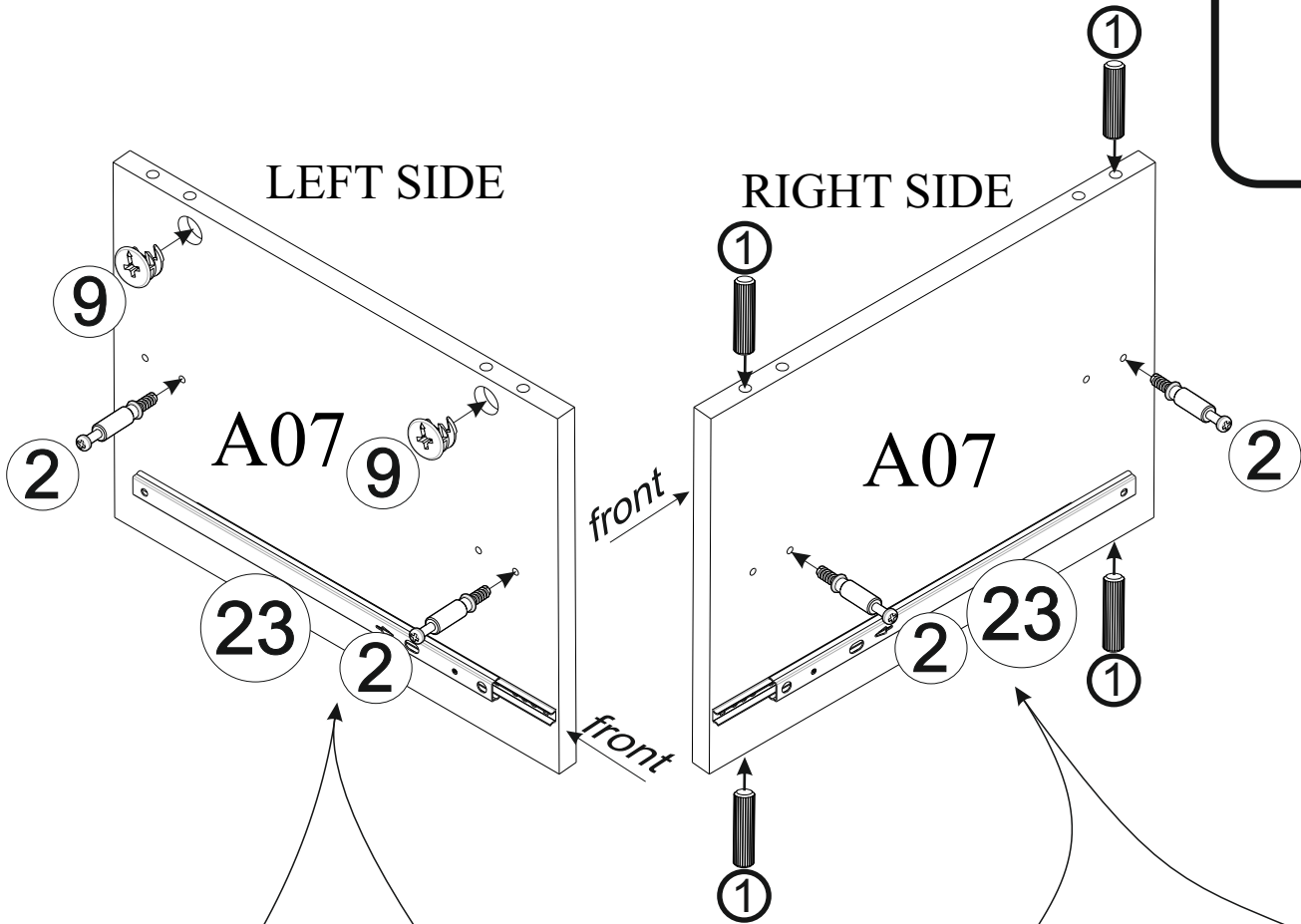
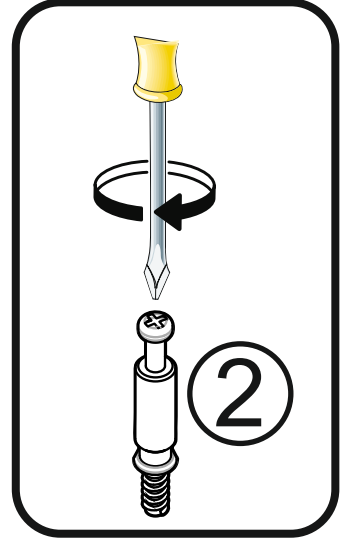
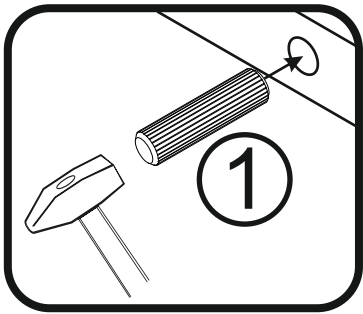
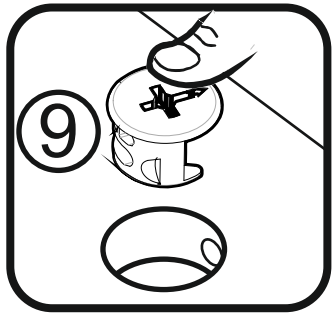
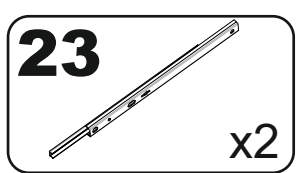
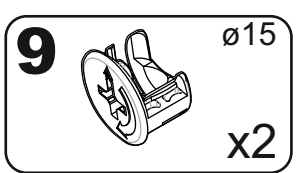
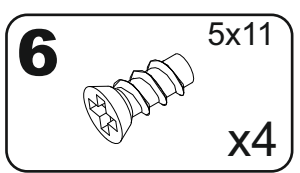
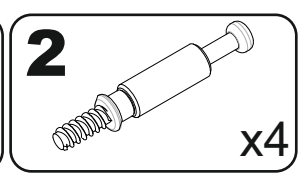
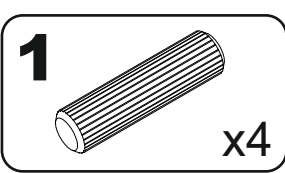


# 6

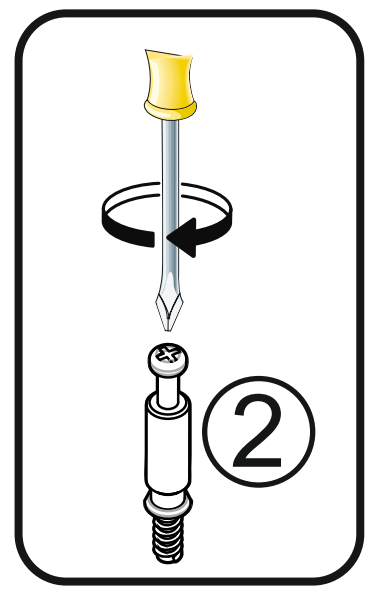
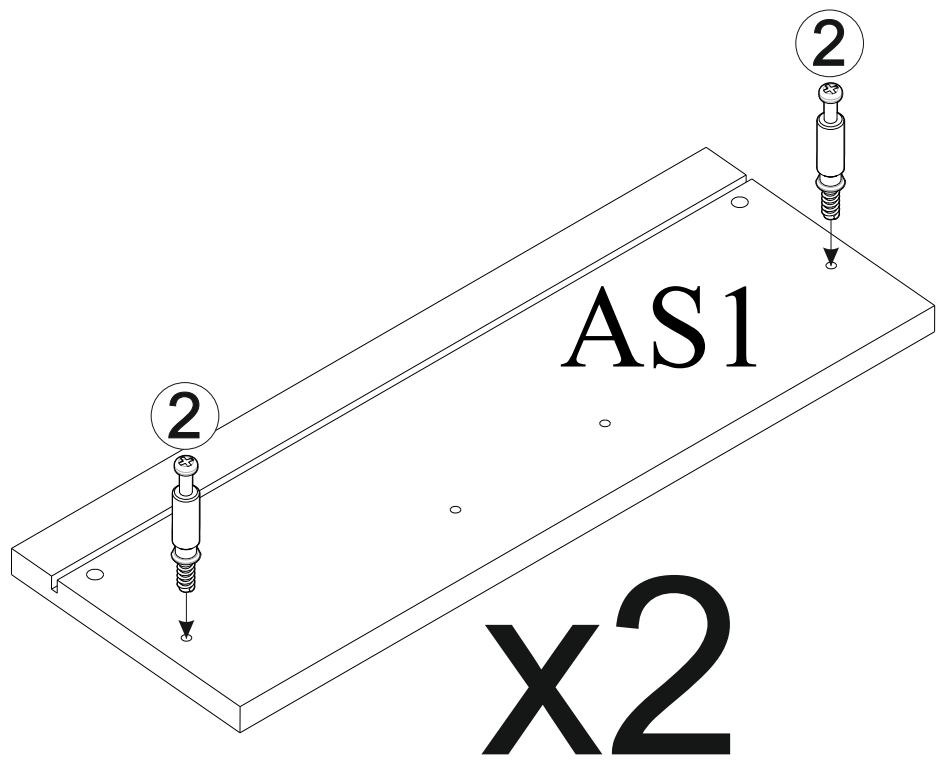
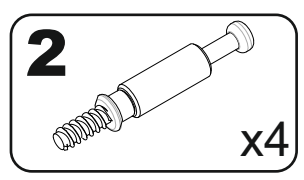




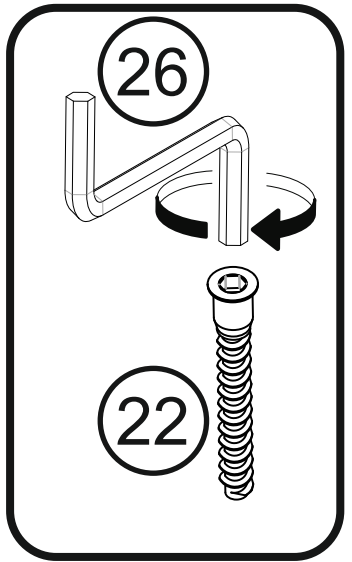
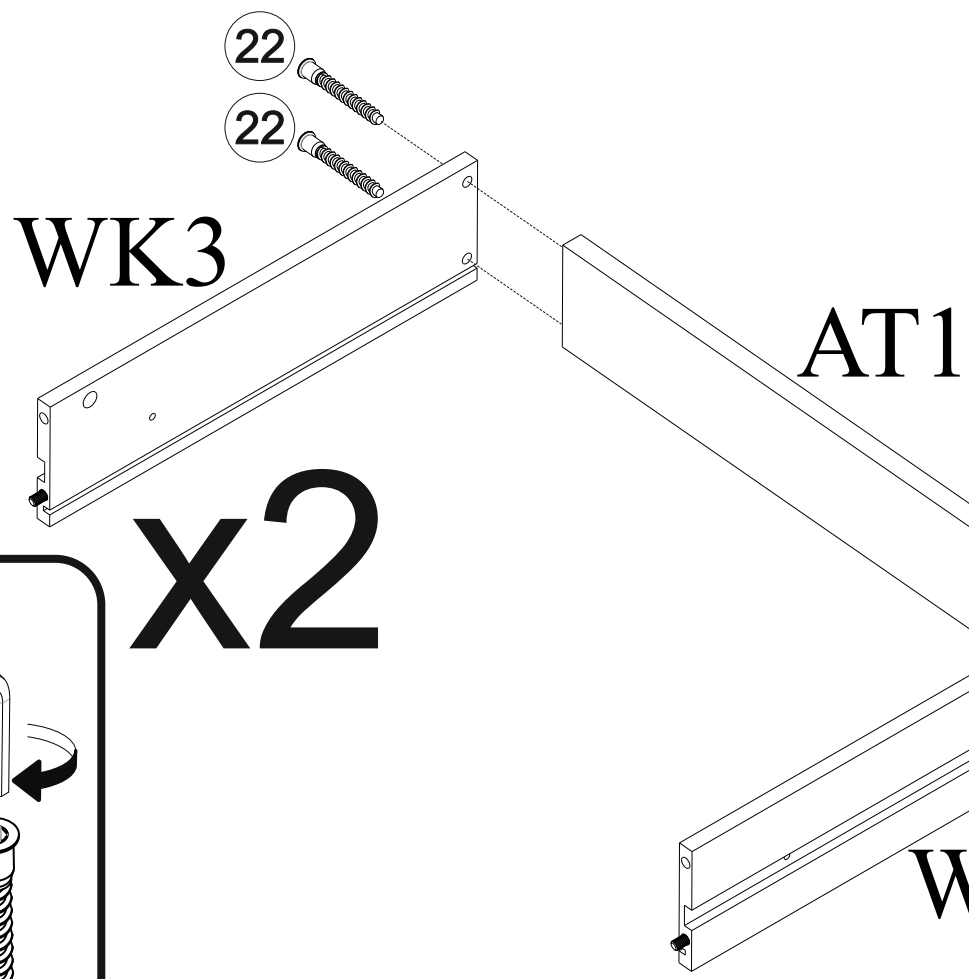
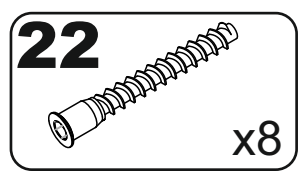


**9**

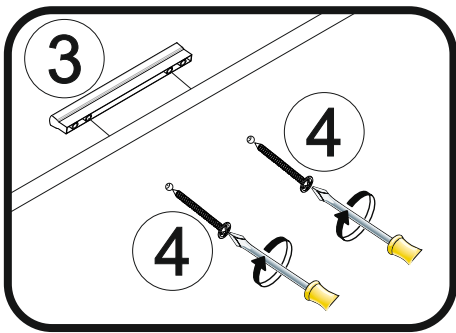
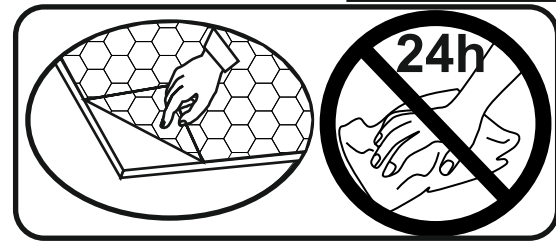
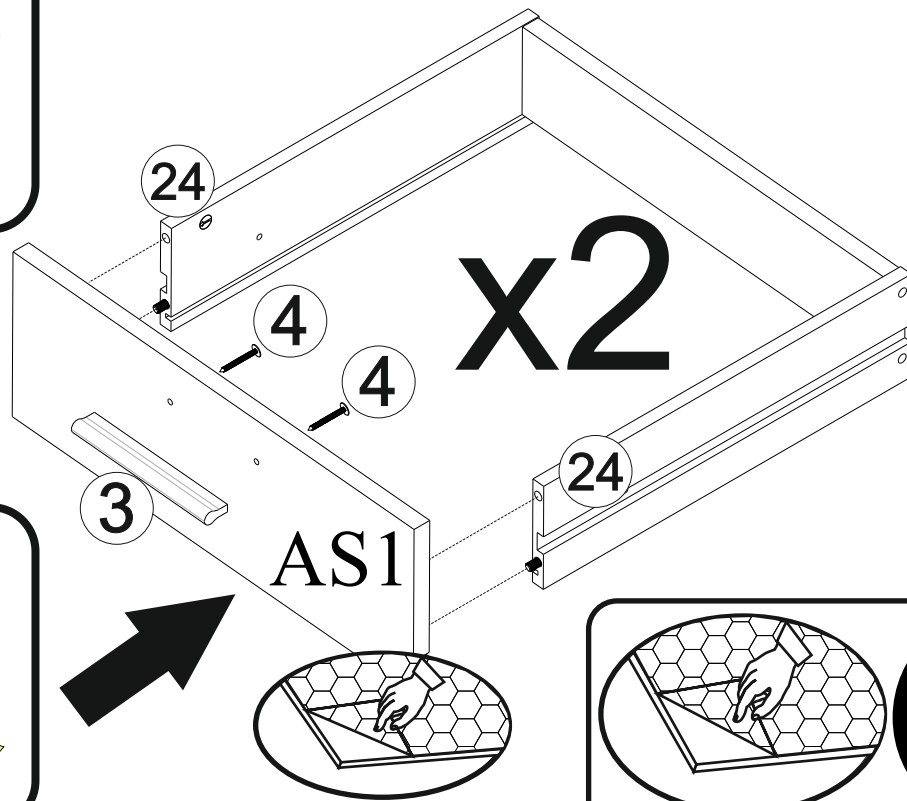
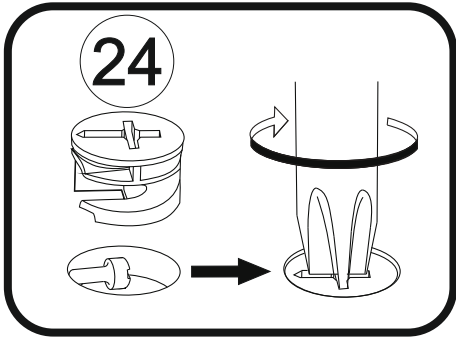
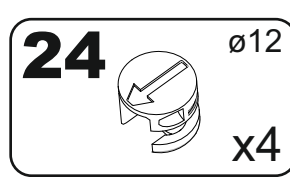
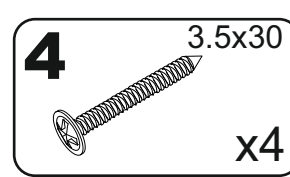
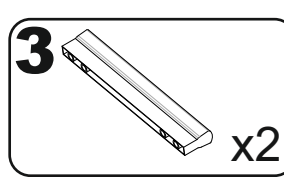
# 10



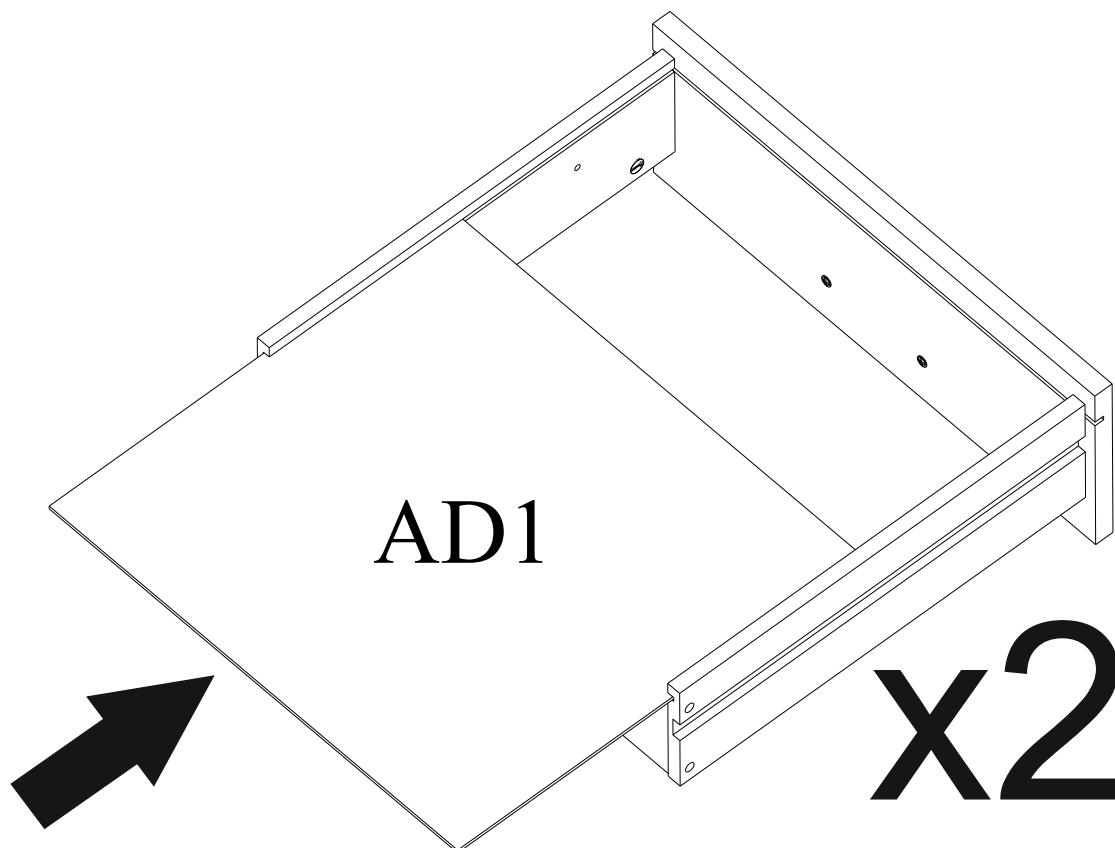
# 11



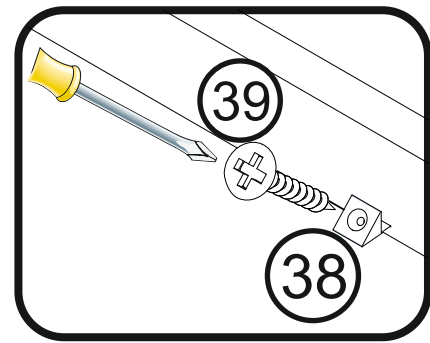
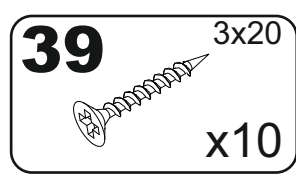
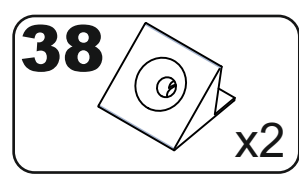
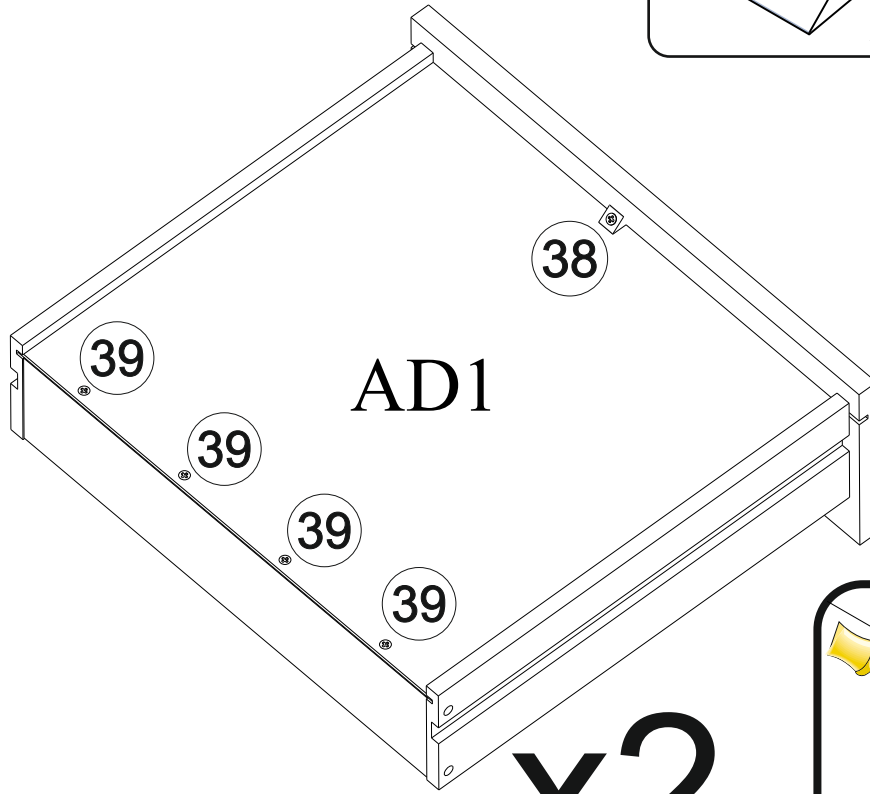
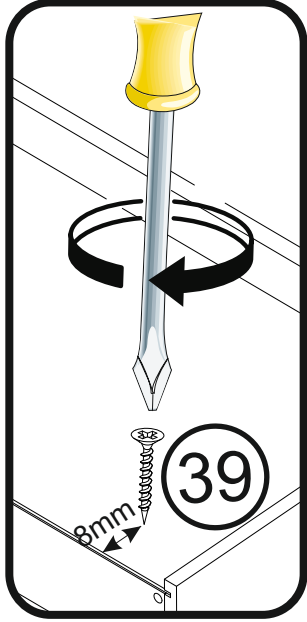
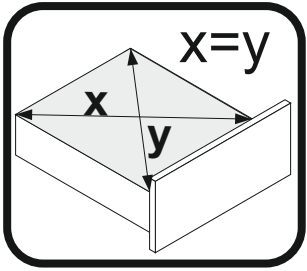
# 12



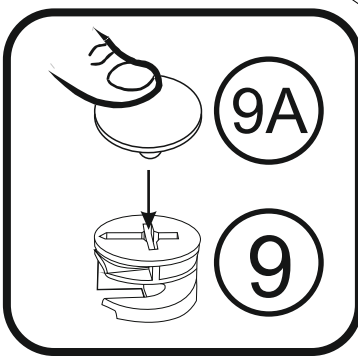
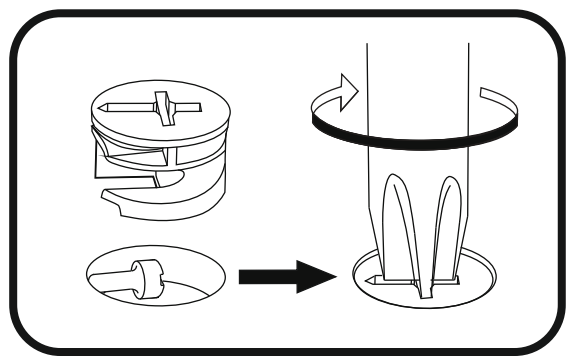
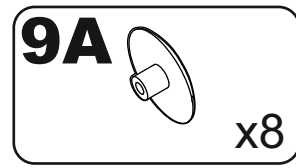
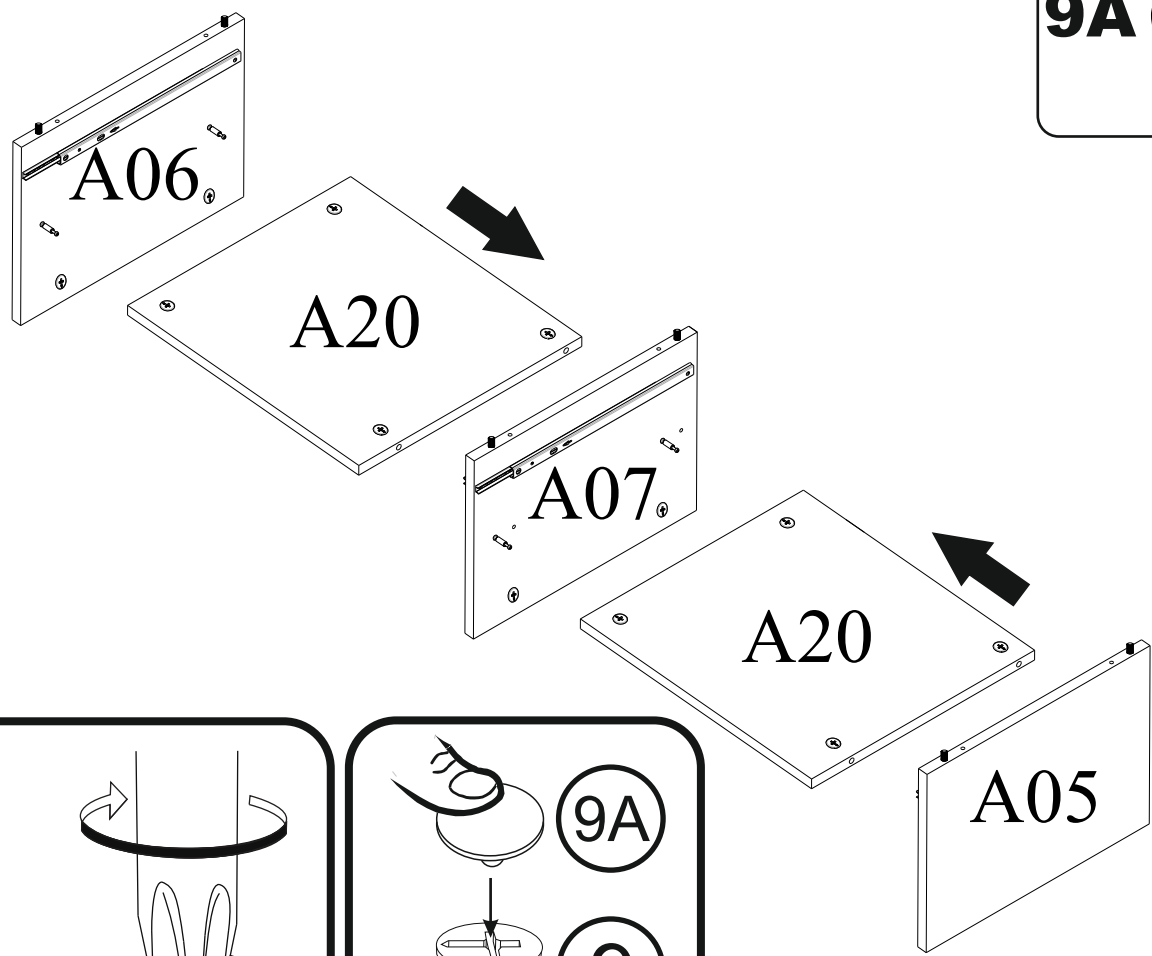
# 13



# 14

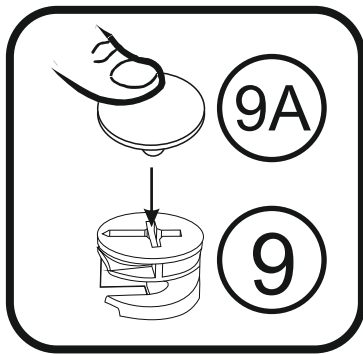
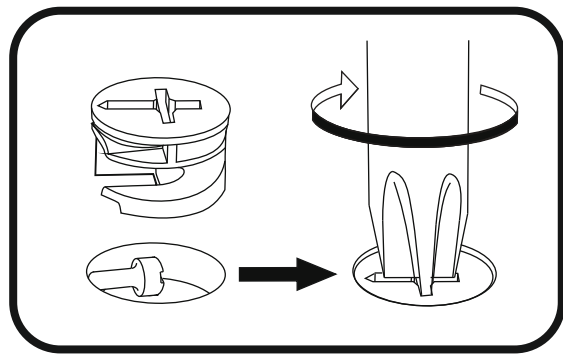
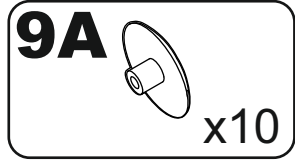
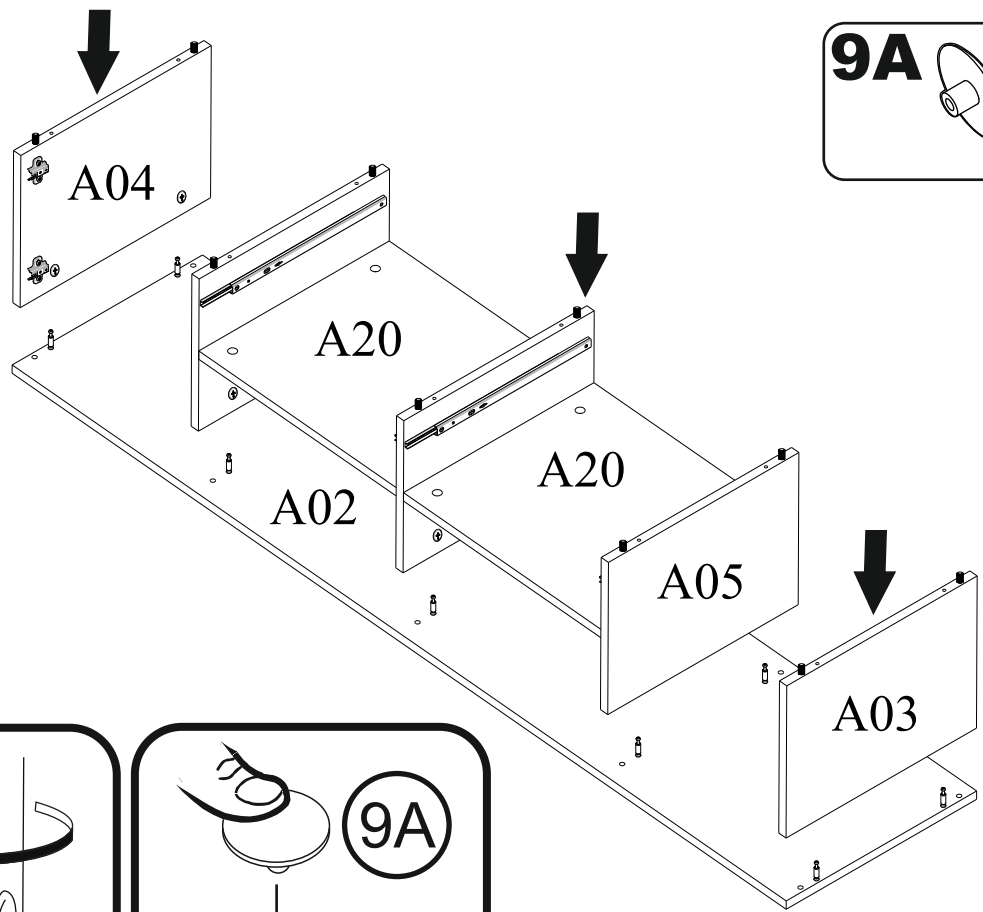


# 15

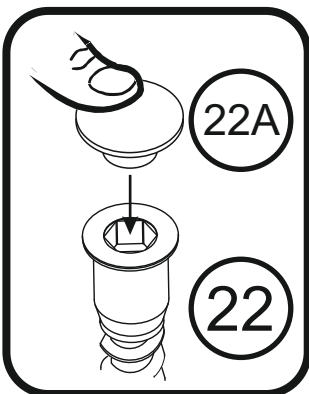
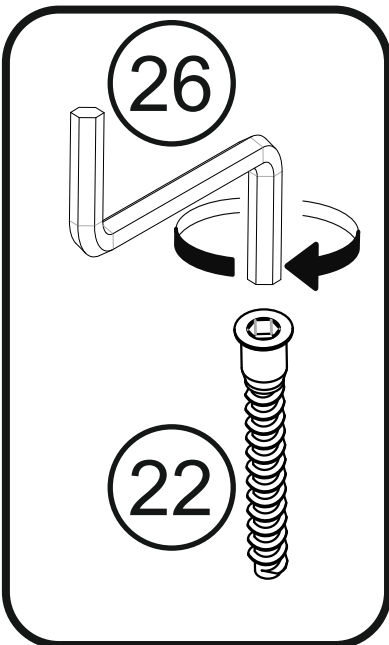
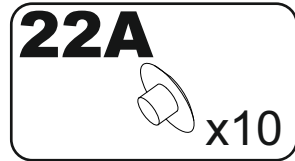
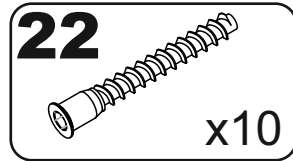
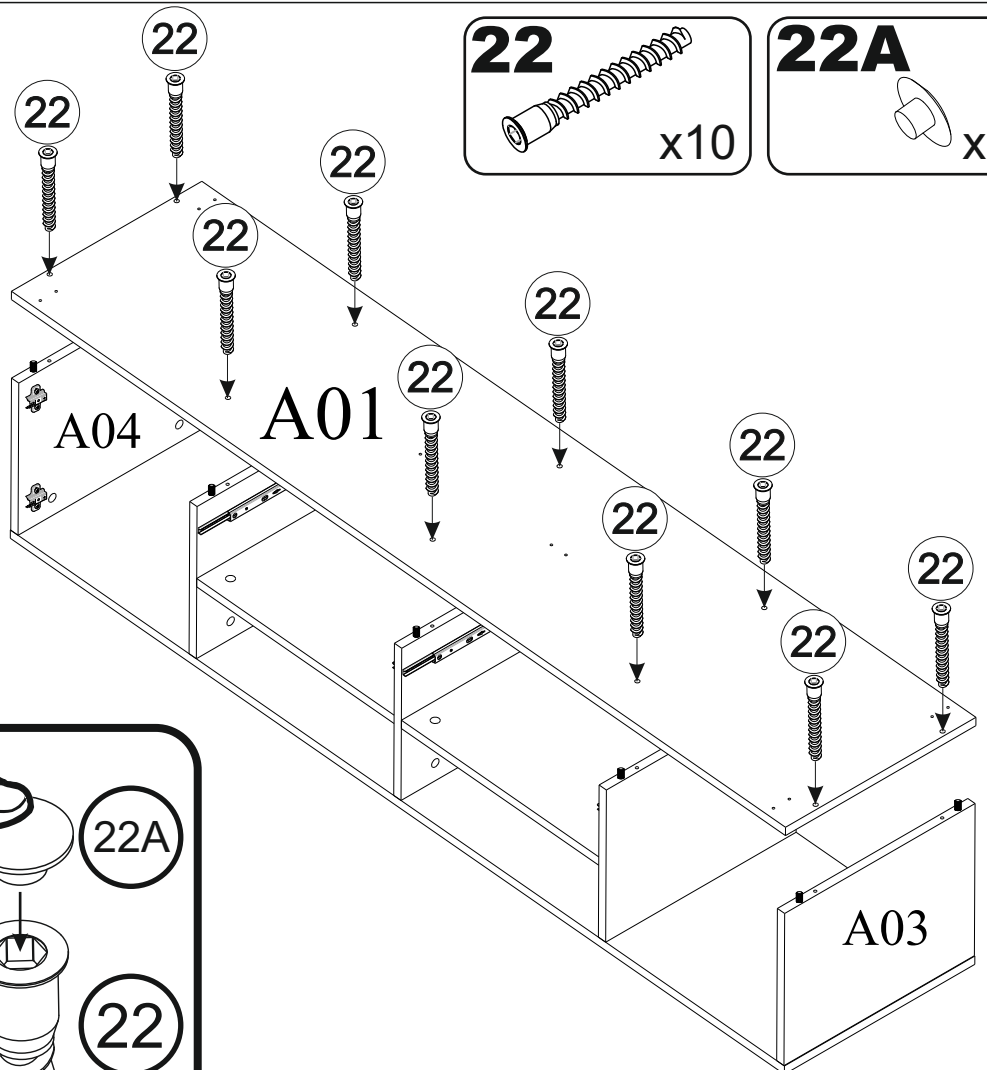




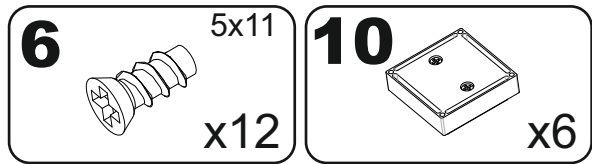
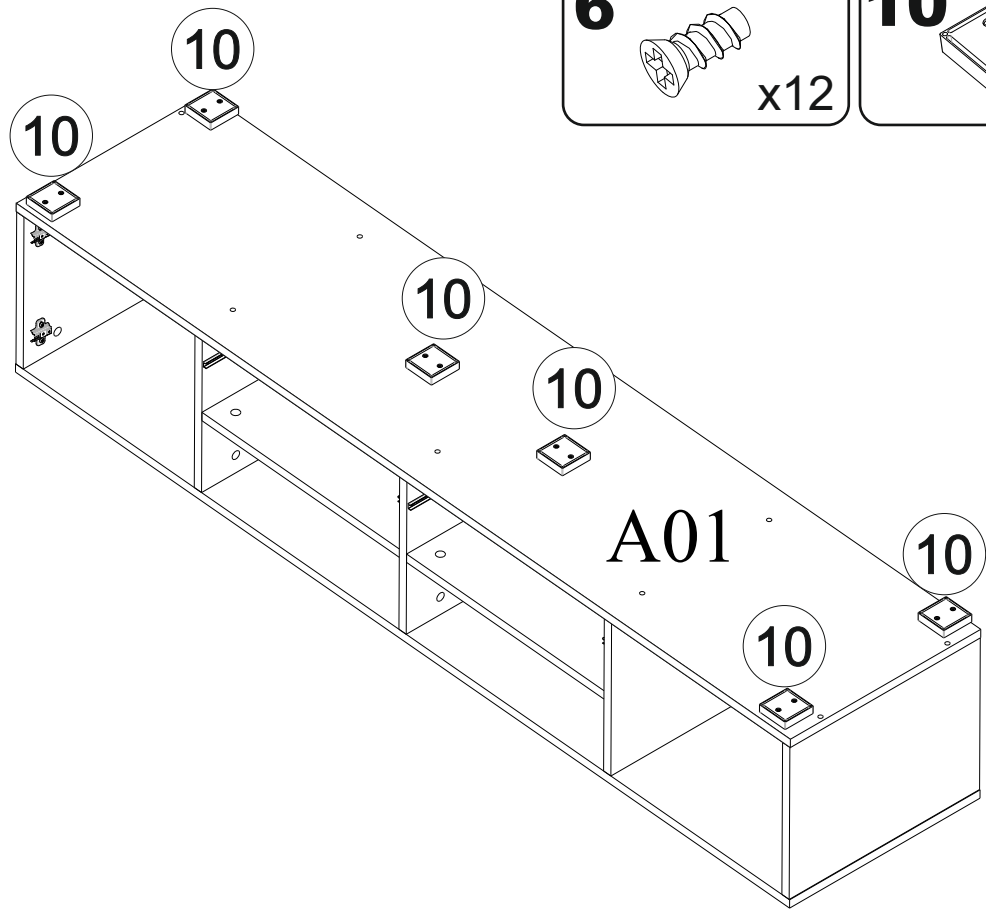
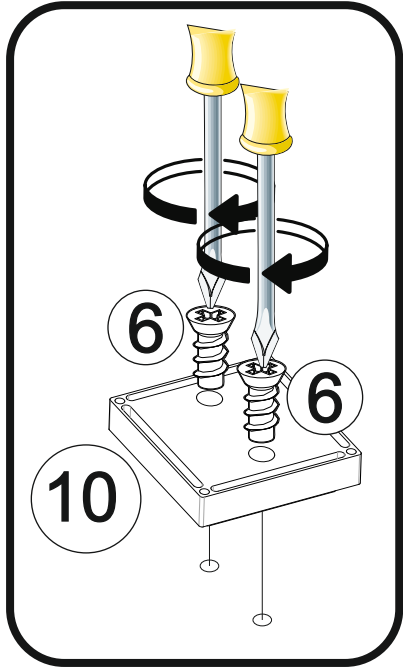
# 16



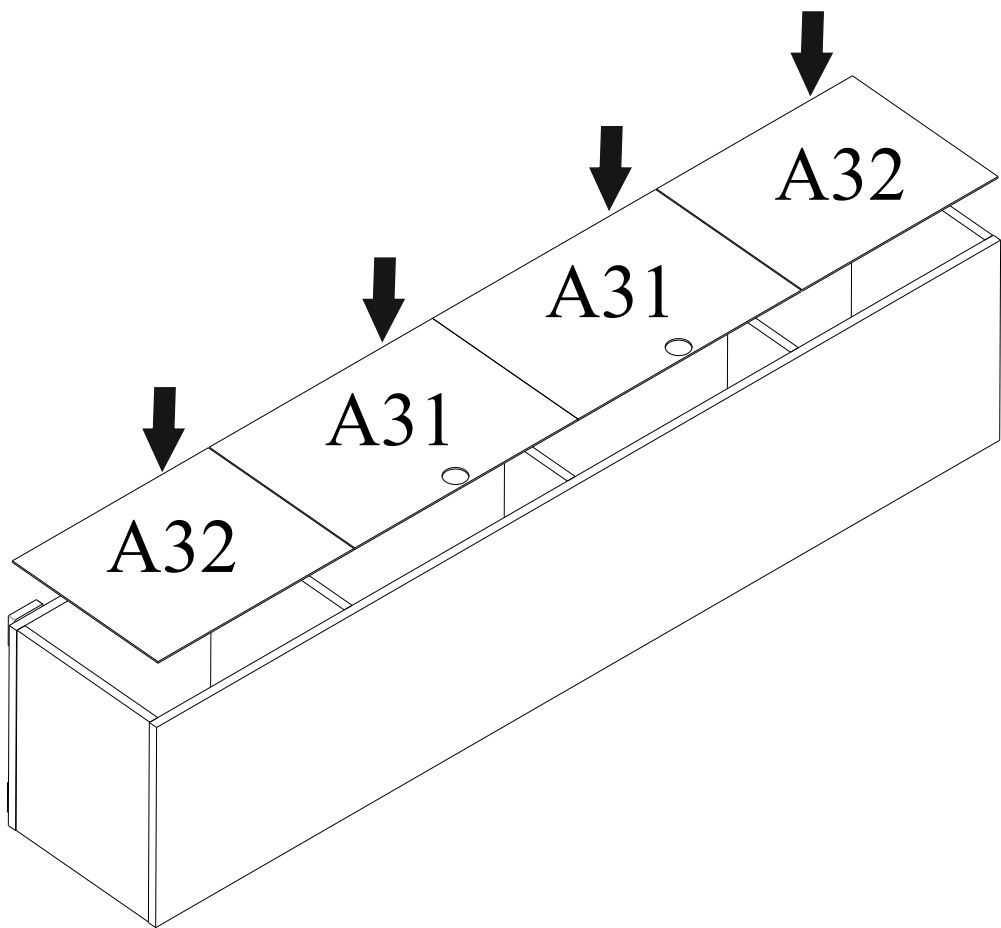
# 17



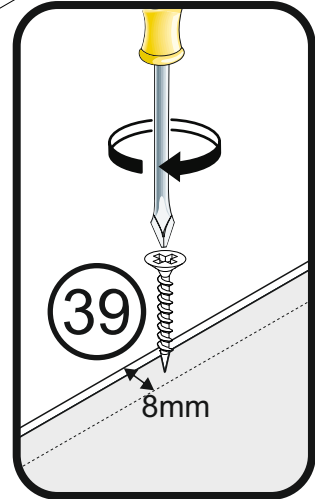
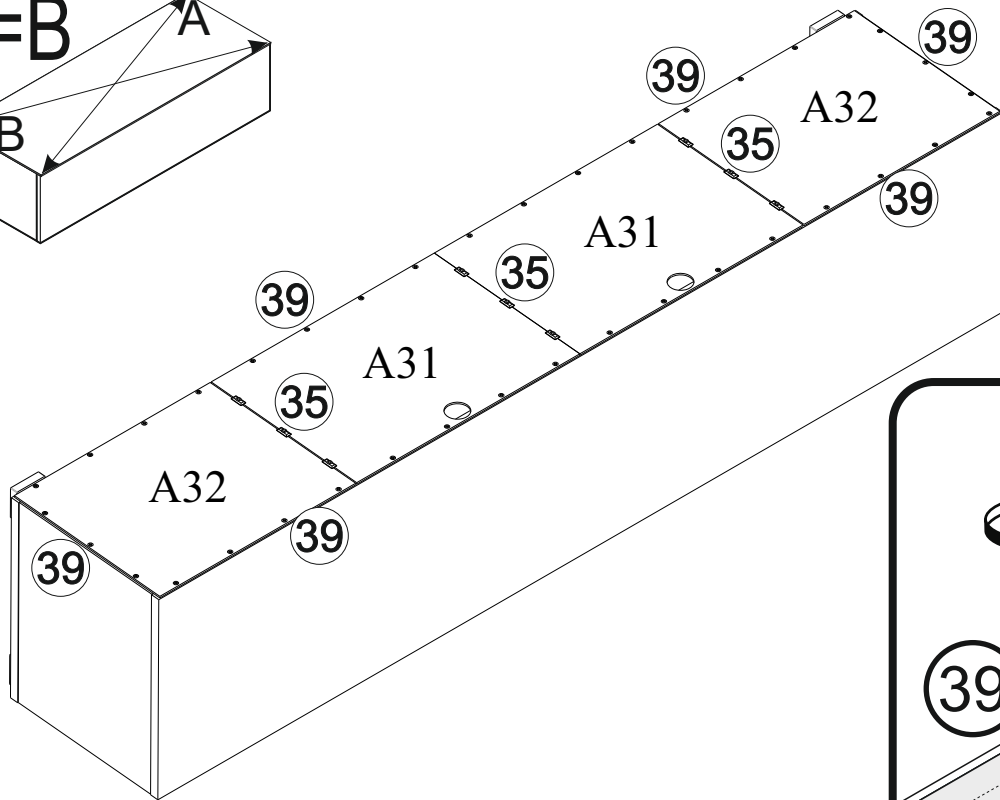
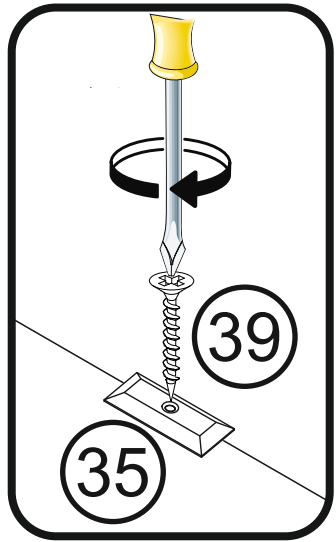
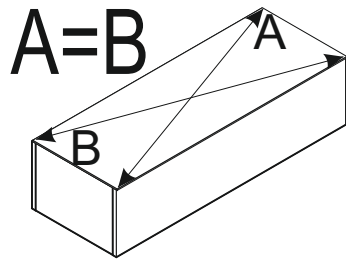
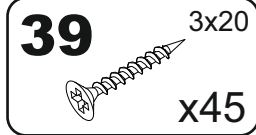
# 18



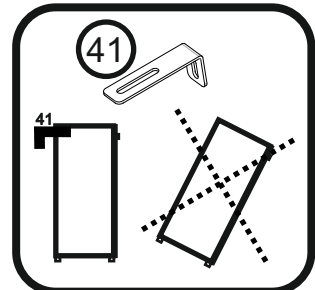
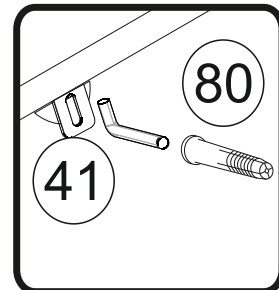
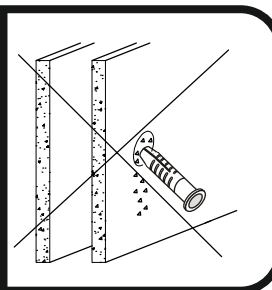
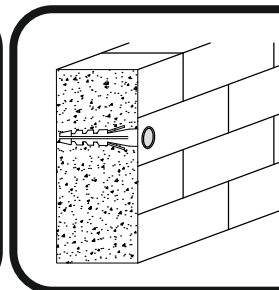
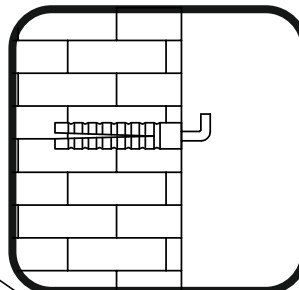
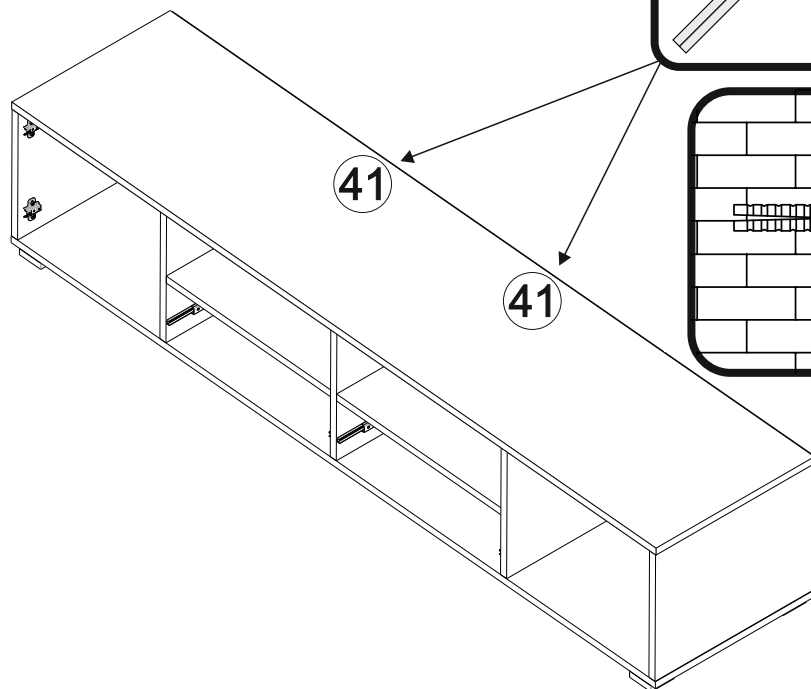
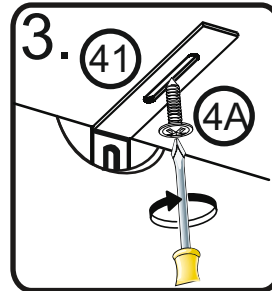
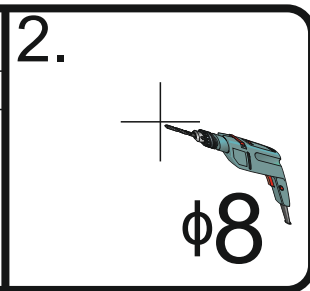
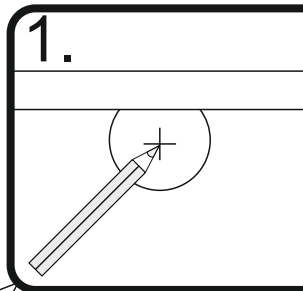
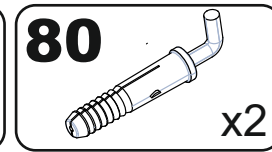
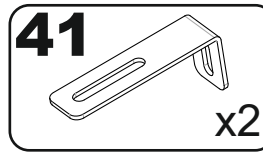
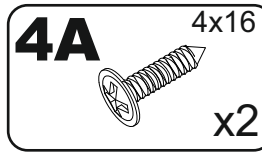
# 19



# 20

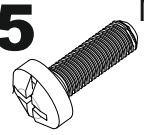
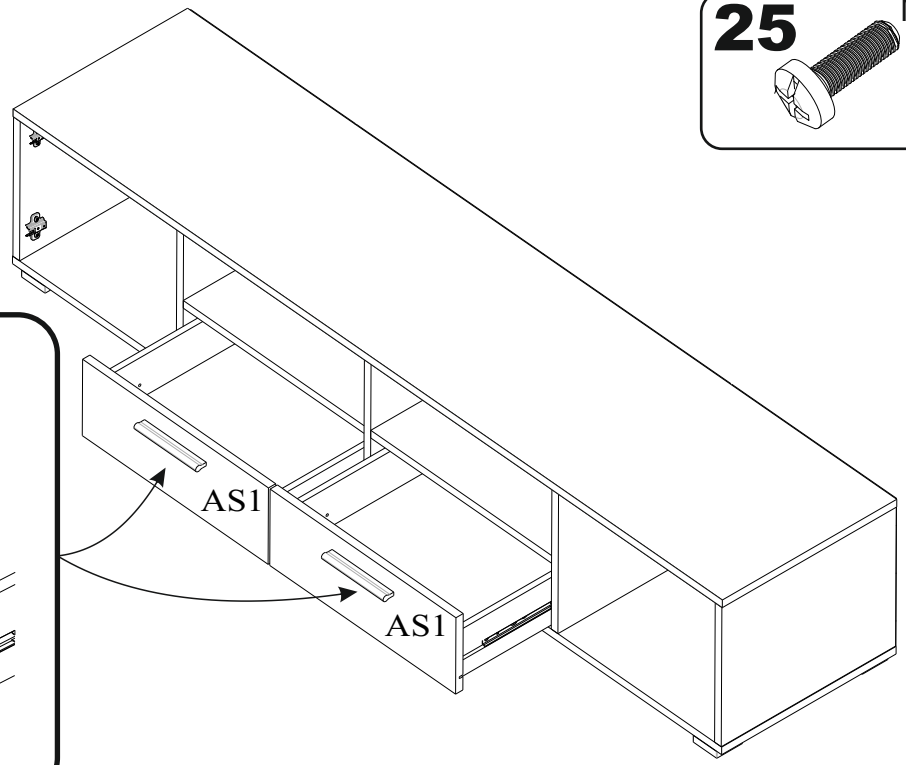
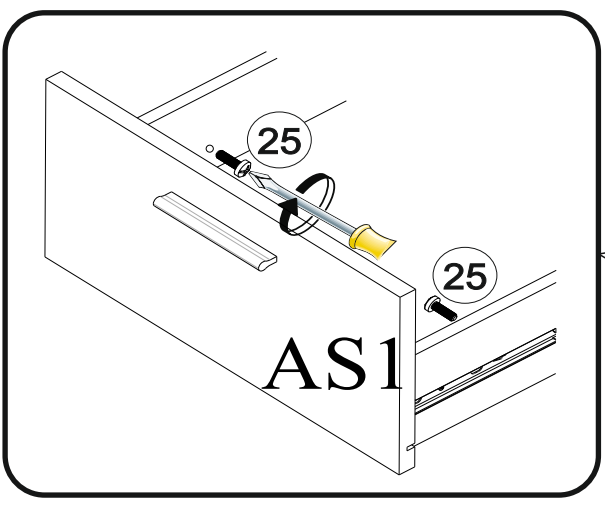


# 21



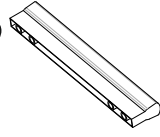
# 22

**25** M4x9  
x4

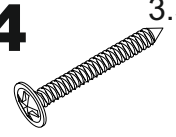
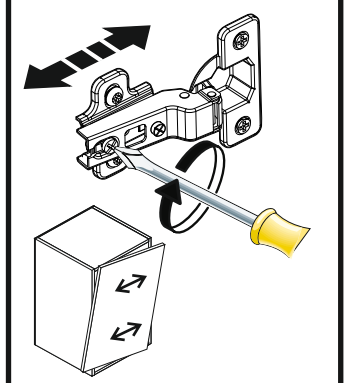
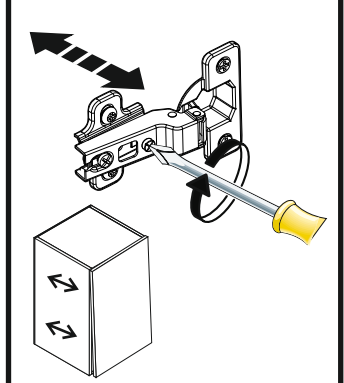
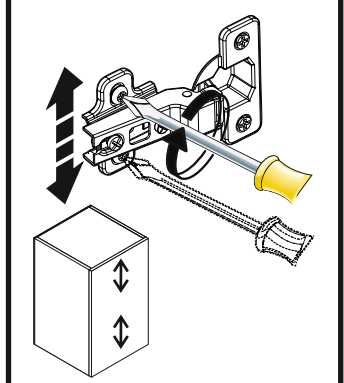
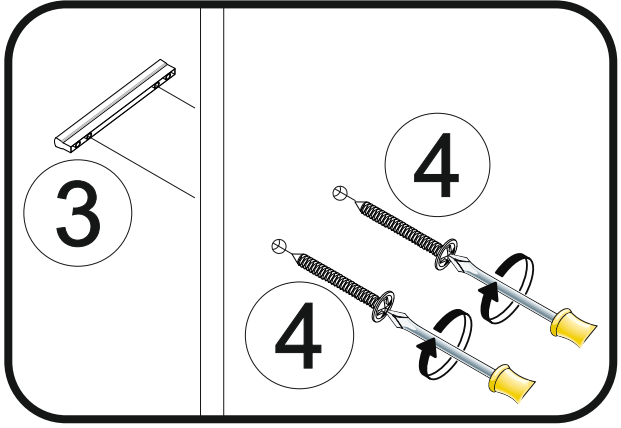
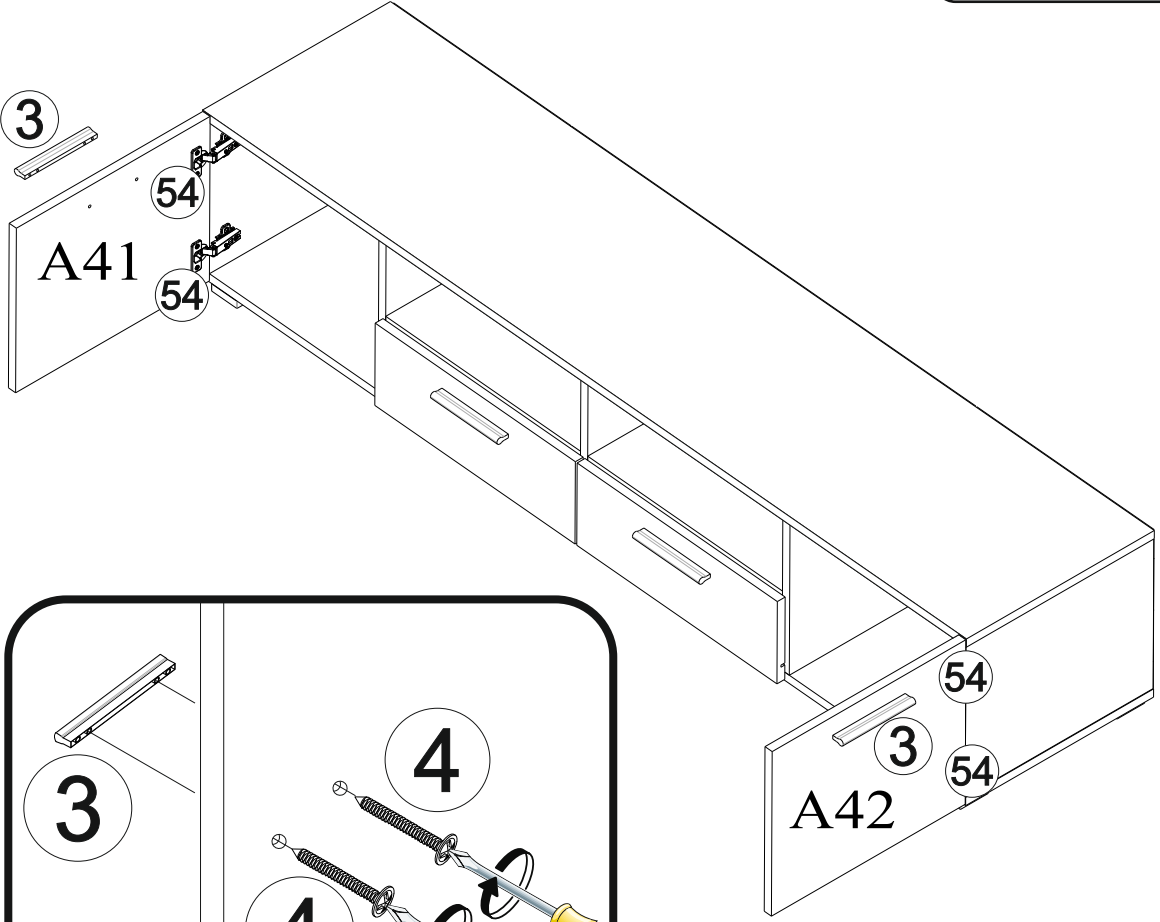



# 23

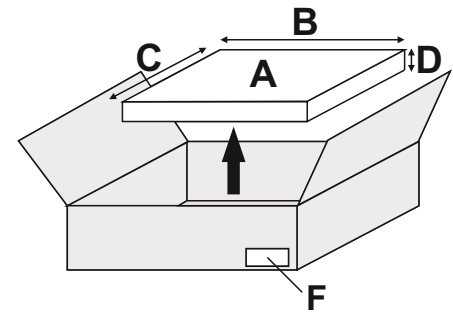
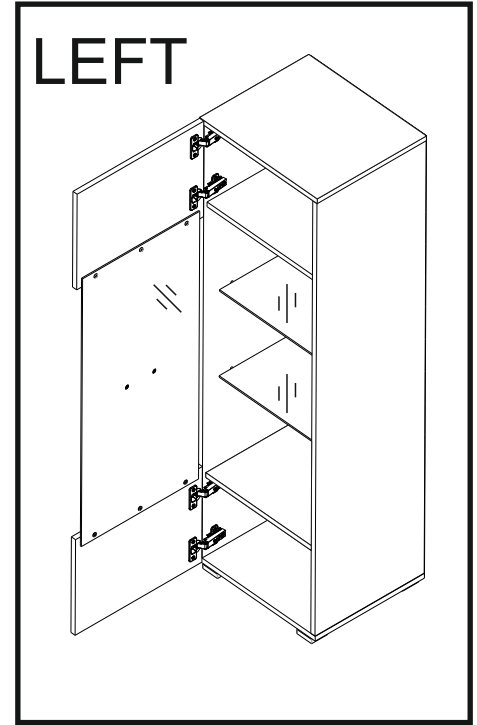
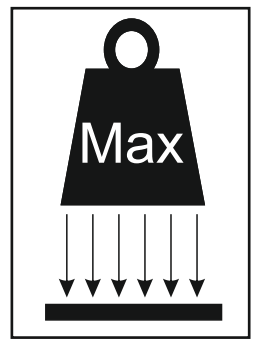
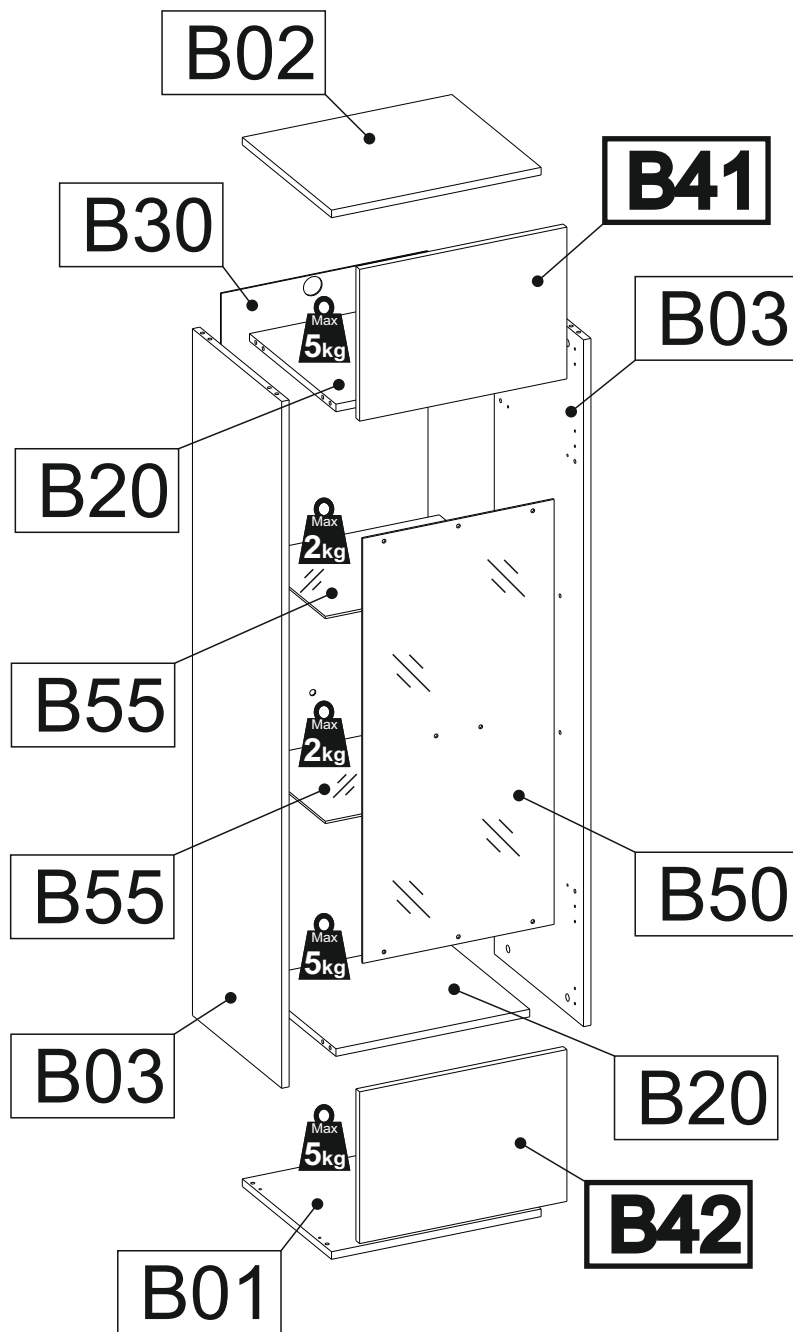
**3** x2



**4** 3.5x30  
x4

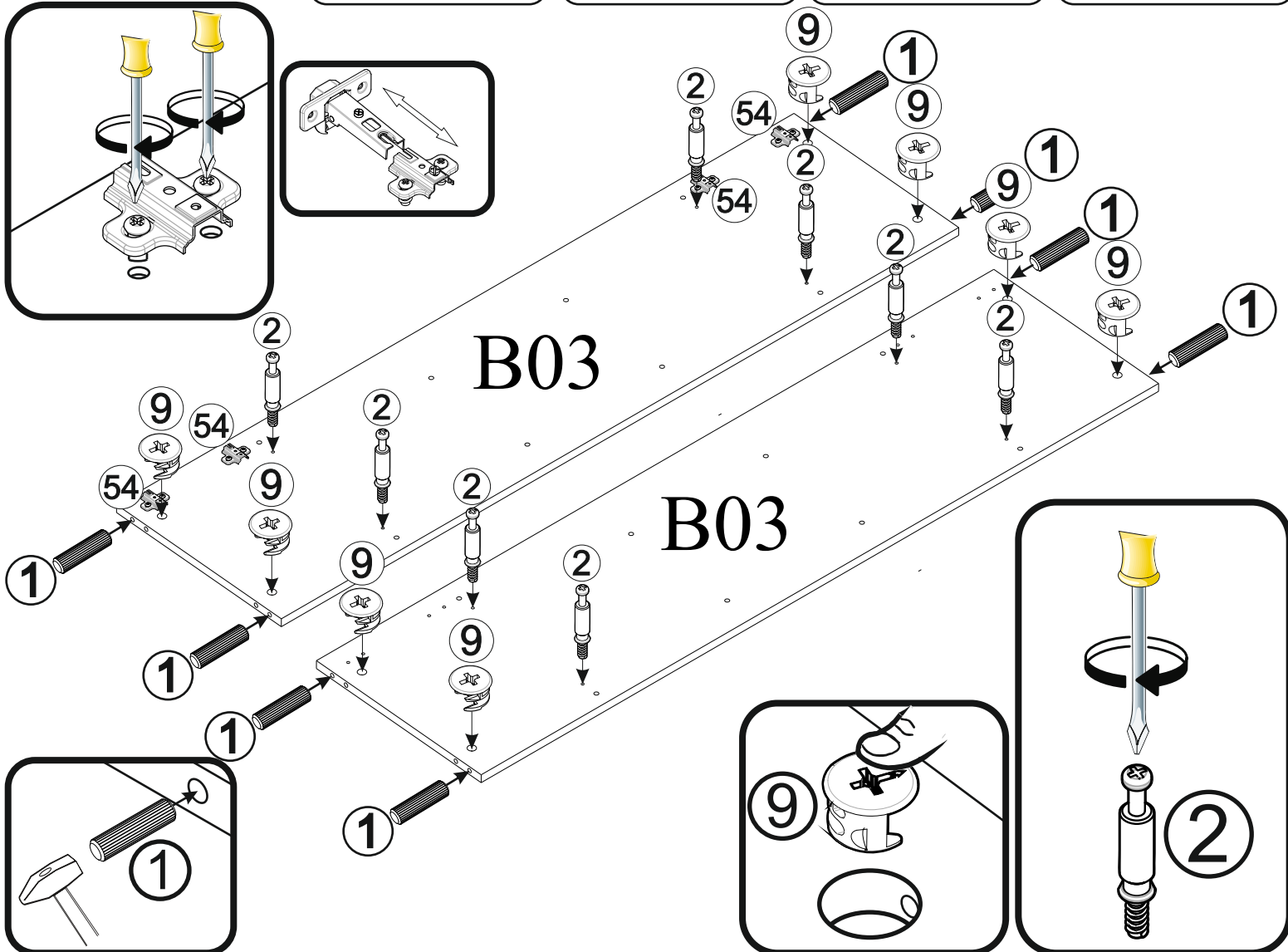
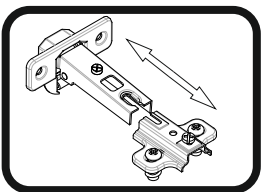
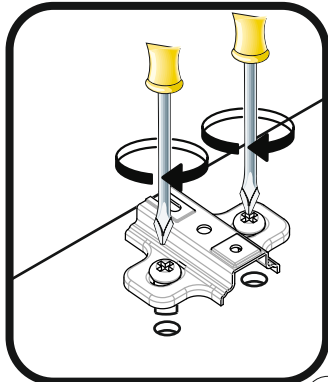
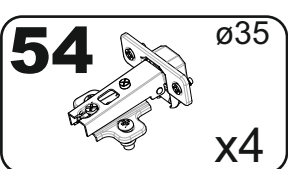
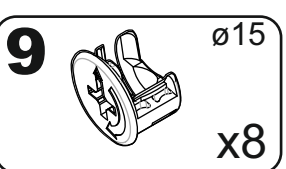
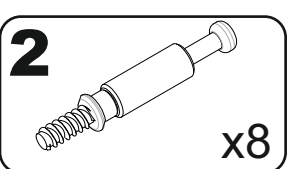
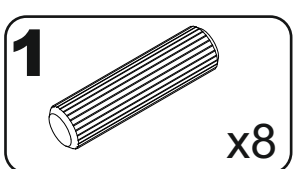
# B



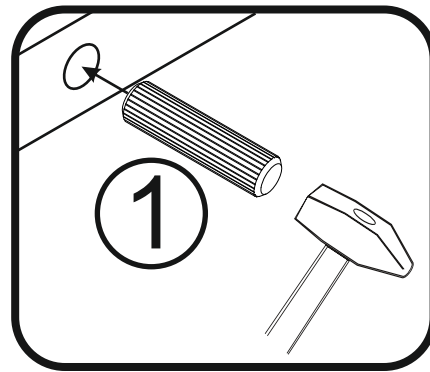
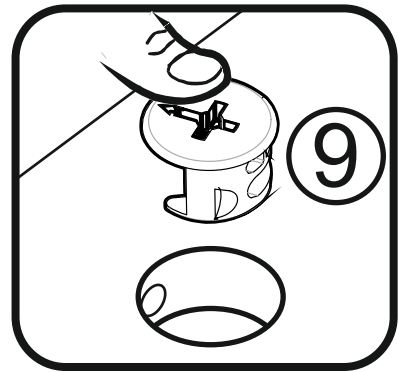
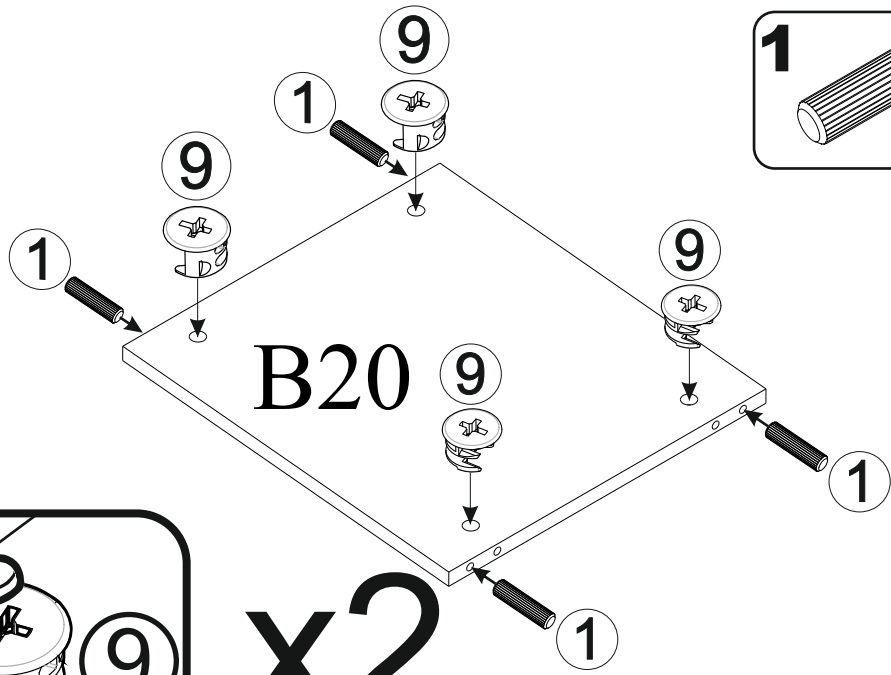
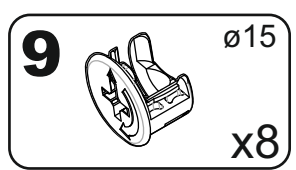
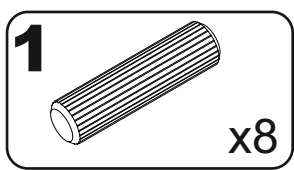
| A   | B (in) | B (mm) | C (in) | C (mm) | D (in) | D (mm) | E (Qty) | F (Box) |
|-----|--------|--------|--------|--------|--------|--------|---------|---------|
| B01 | 17,76  | 451    | 15,12  | 384    | 0,63   | 16     | 1       | 2 3     |
| B02 | 17,76  | 451    | 15,12  | 384    | 0,63   | 16     | 1       | 2 3     |
| B03 | 57,01  | 1448   | 15,12  | 384    | 0,63   | 16     | 2       | 2 3     |
| B20 | 16,42  | 417    | 14,65  | 372    | 0,63   | 16     | 2       | 2 3     |
| B30 | 58,07  | 1475   | 17,52  | 445    | 0,12   | 3      | 1       | 2 3     |
| B41 | 17,56  | 446    | 12,60  | 320    | 0,63   | 16     | 1       | 2 3     |
| B42 | 17,56  | 446    | 12,60  | 320    | 0,63   | 16     | 1       | 2 3     |
| B50 | 35,28  | 896    | 16,22  | 412    | 0,16   | 4      | 1       | 2 3     |
| B55 | 16,14  | 410    | 12,99  | 330    | 0,20   | 5      | 2       | 2 3     |



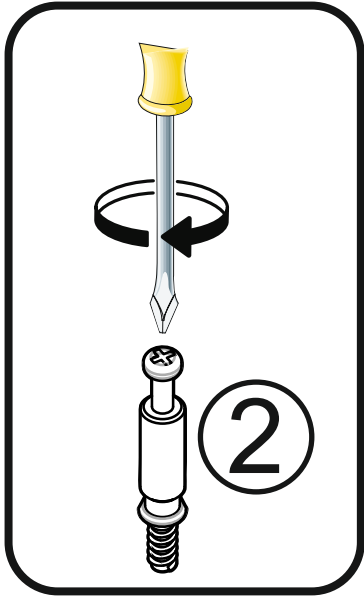
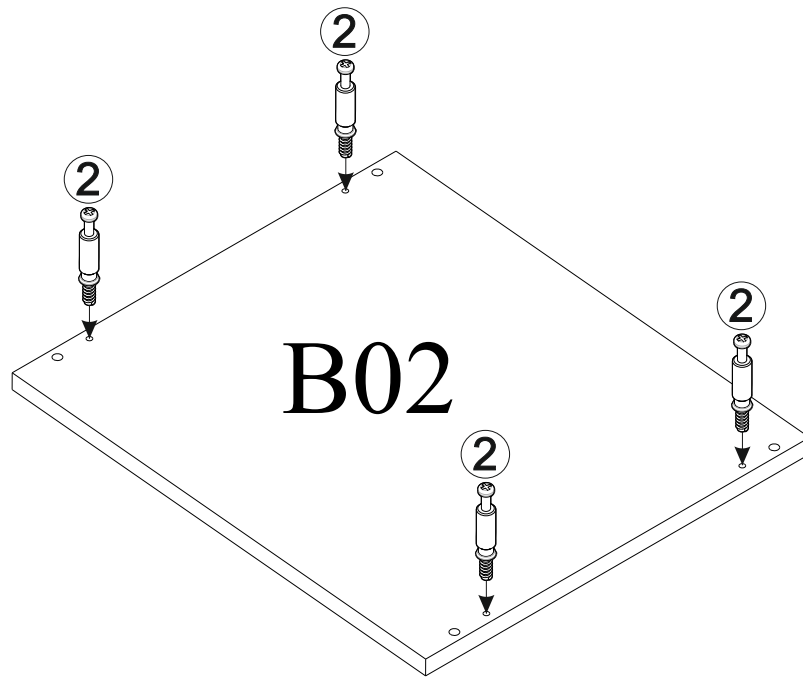
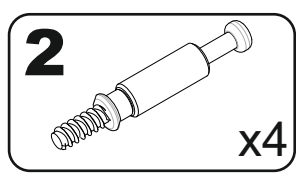
# 1



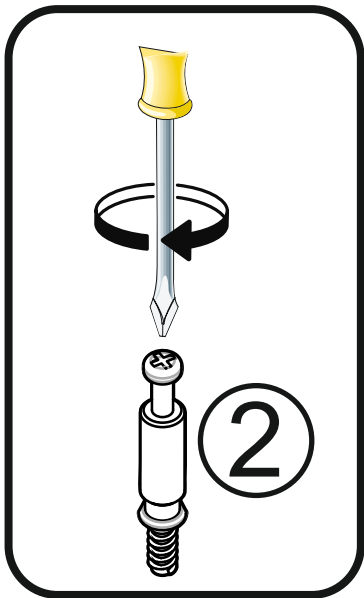
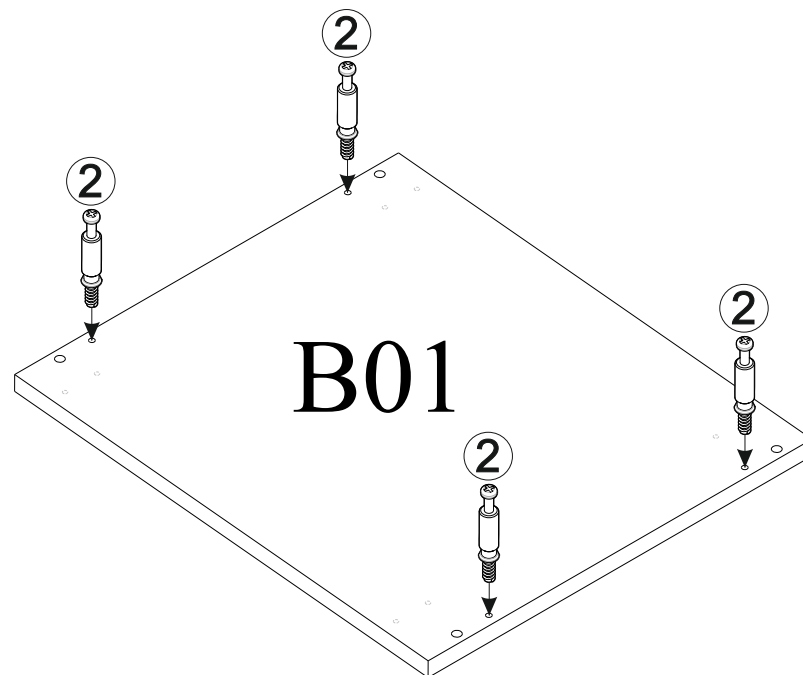
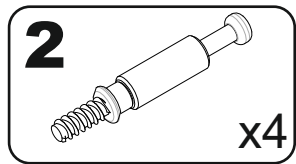
# 2



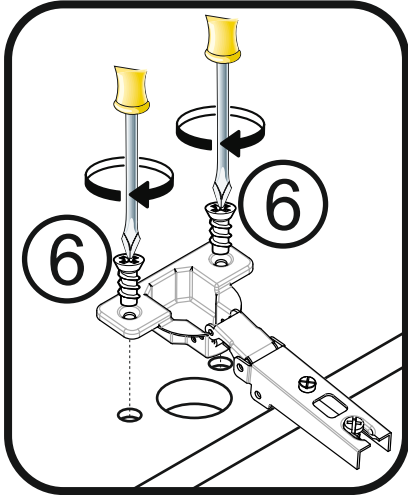
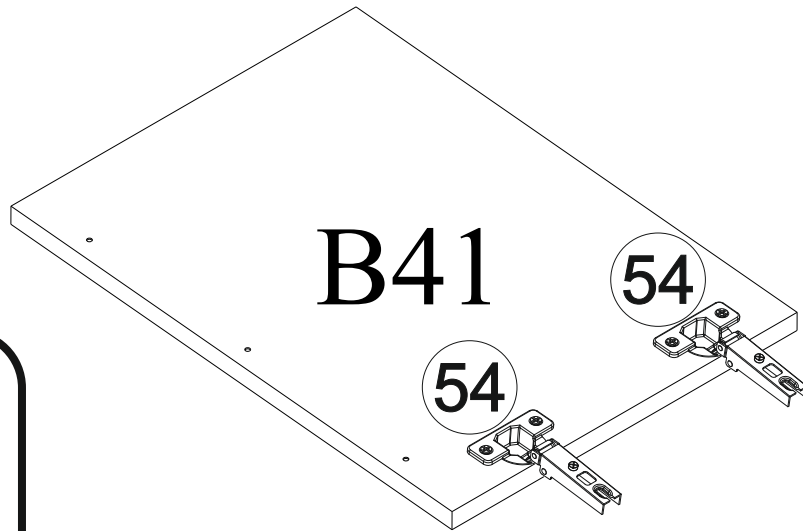
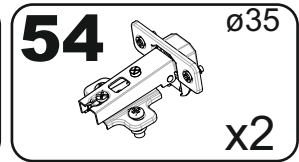
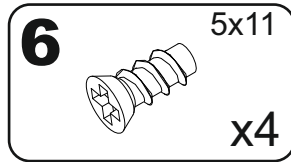
# 3



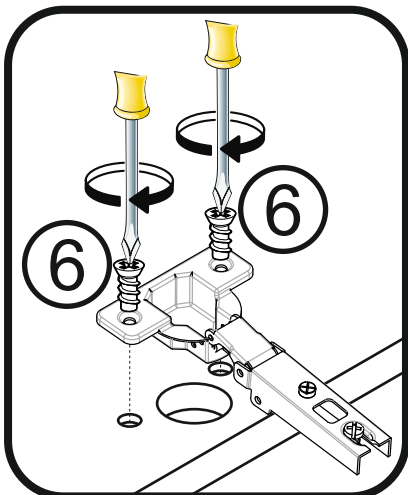
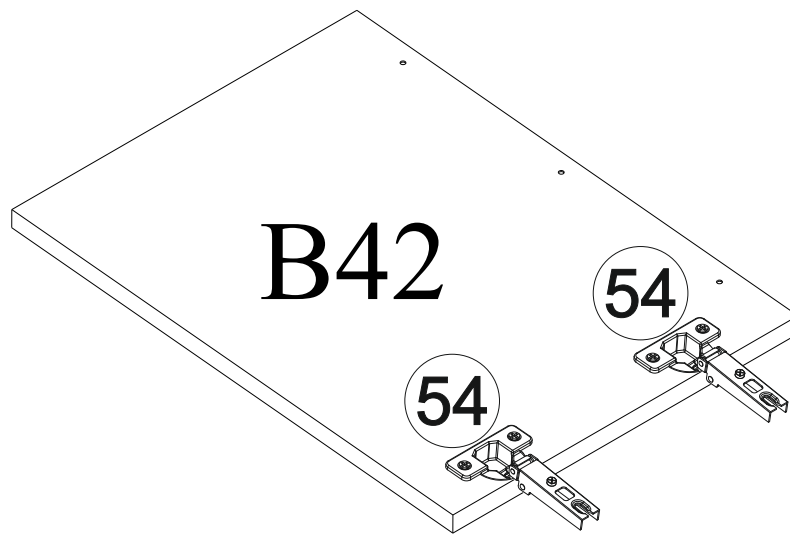
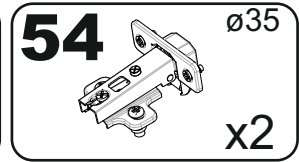
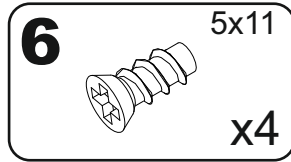
# 4



5

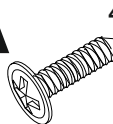


6

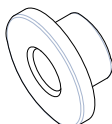
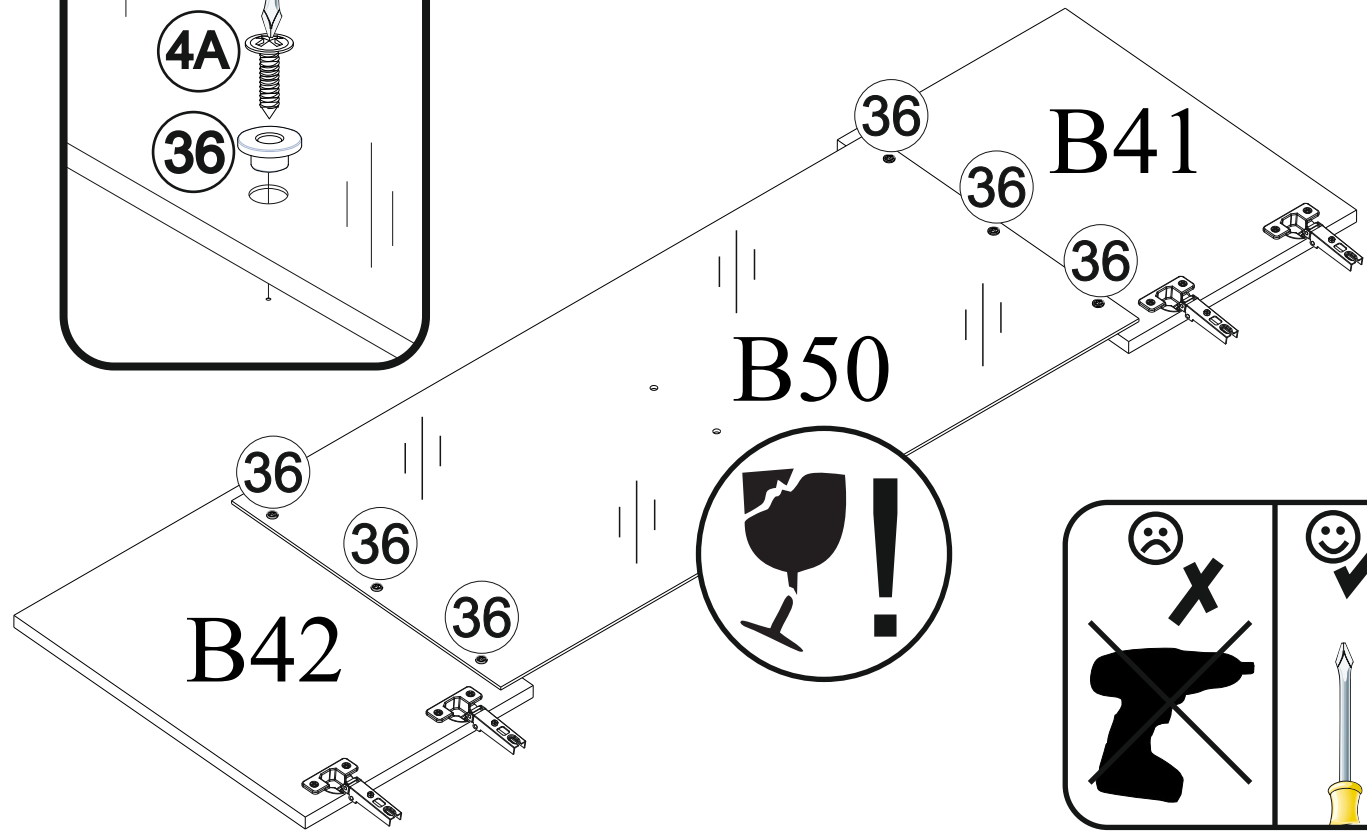
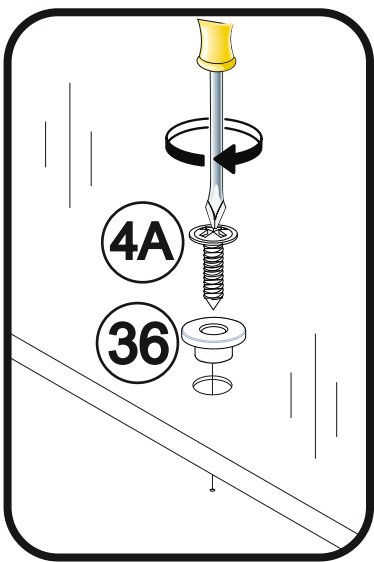


7

**4A** 4x16 x6


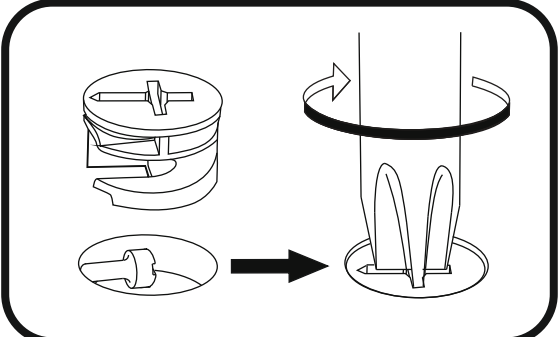
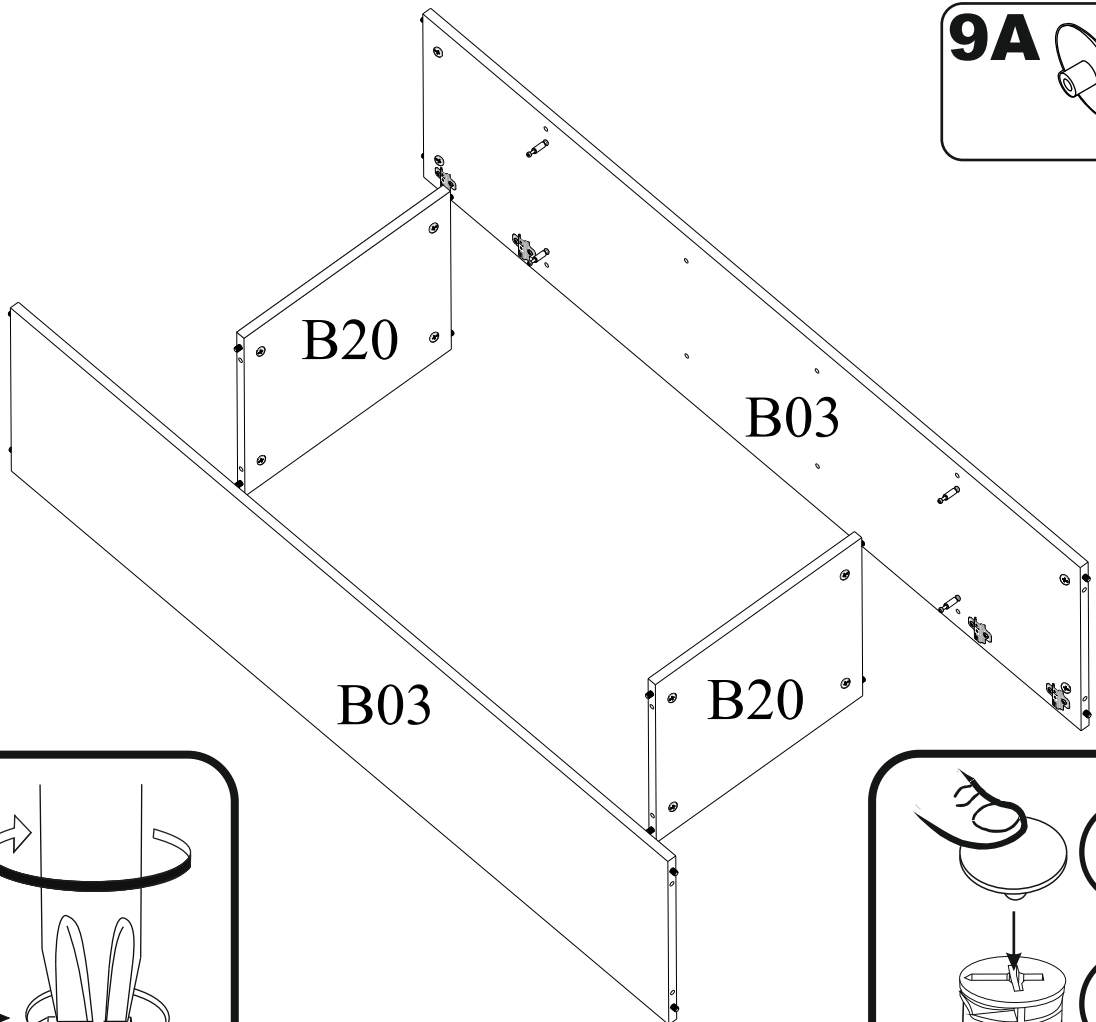


**36** x6

8

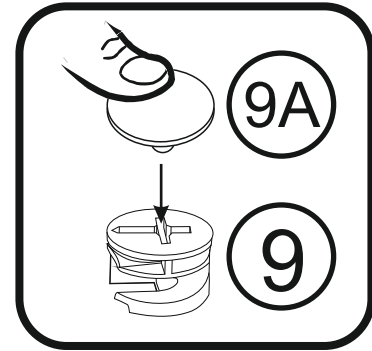
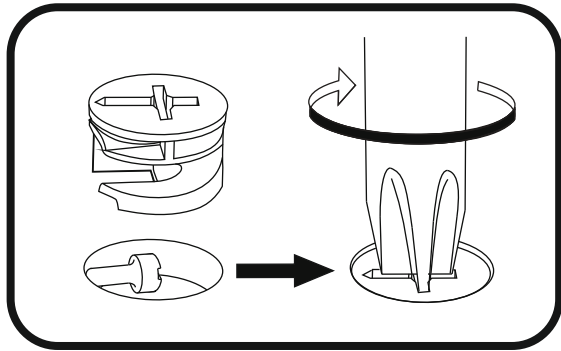
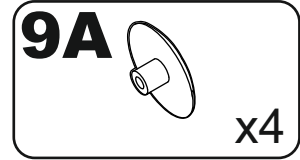
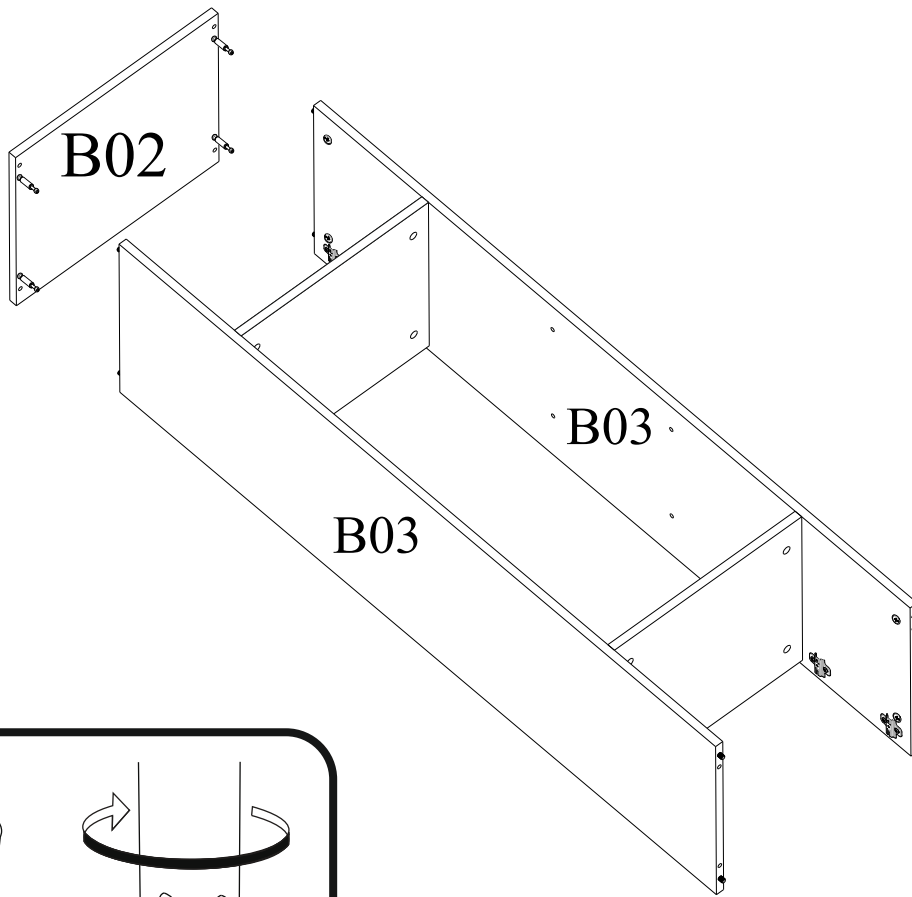
**9A** x8

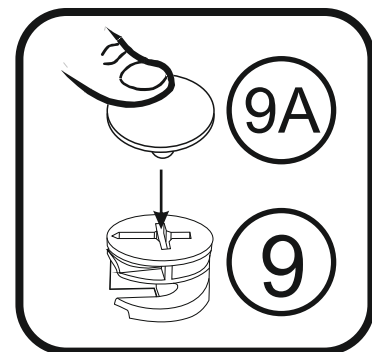
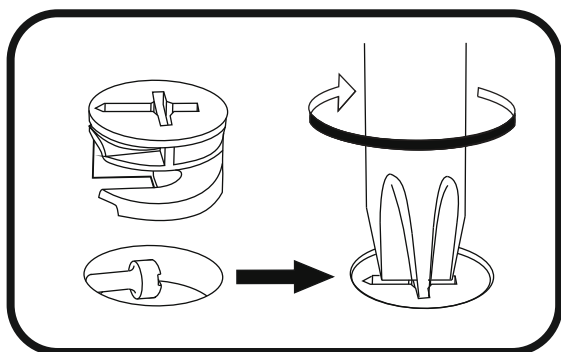
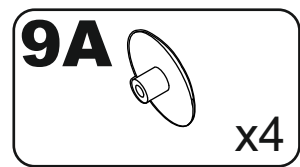
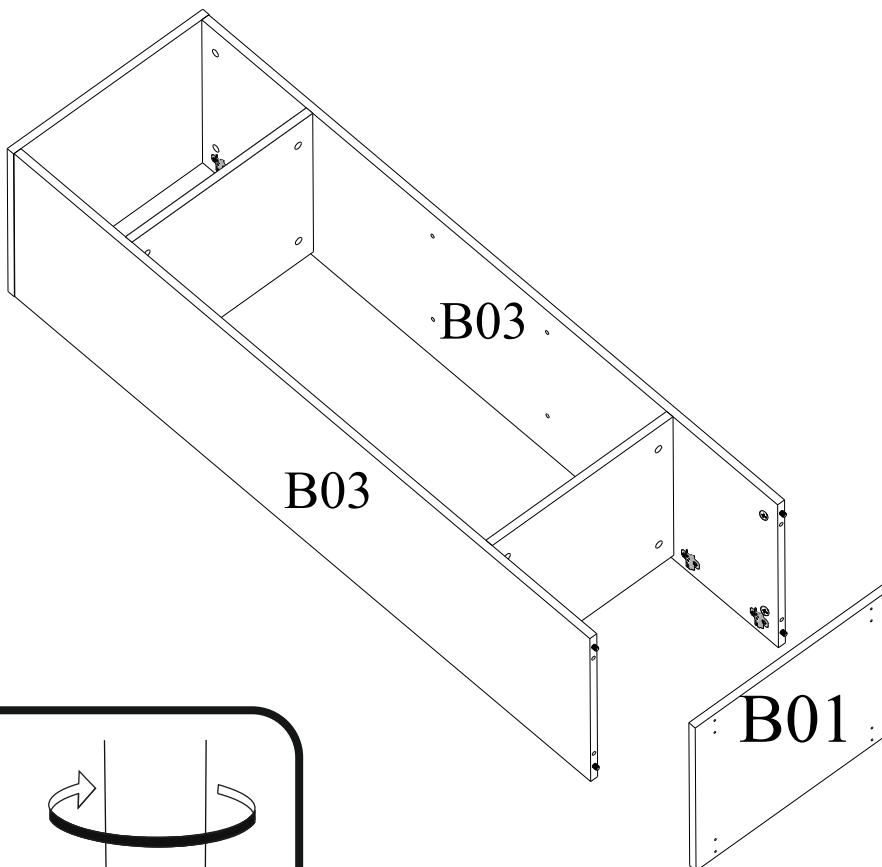
**9A**

**9**

# 9

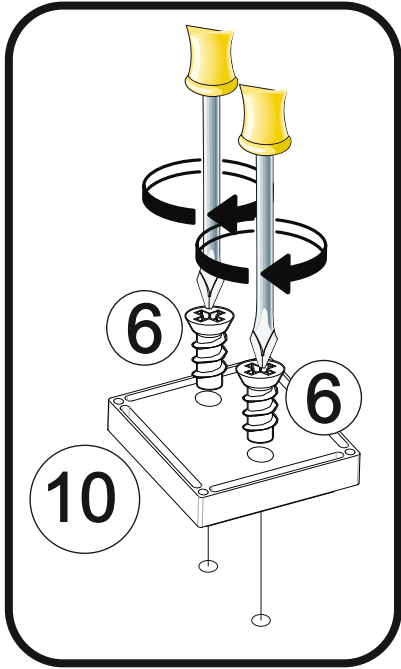
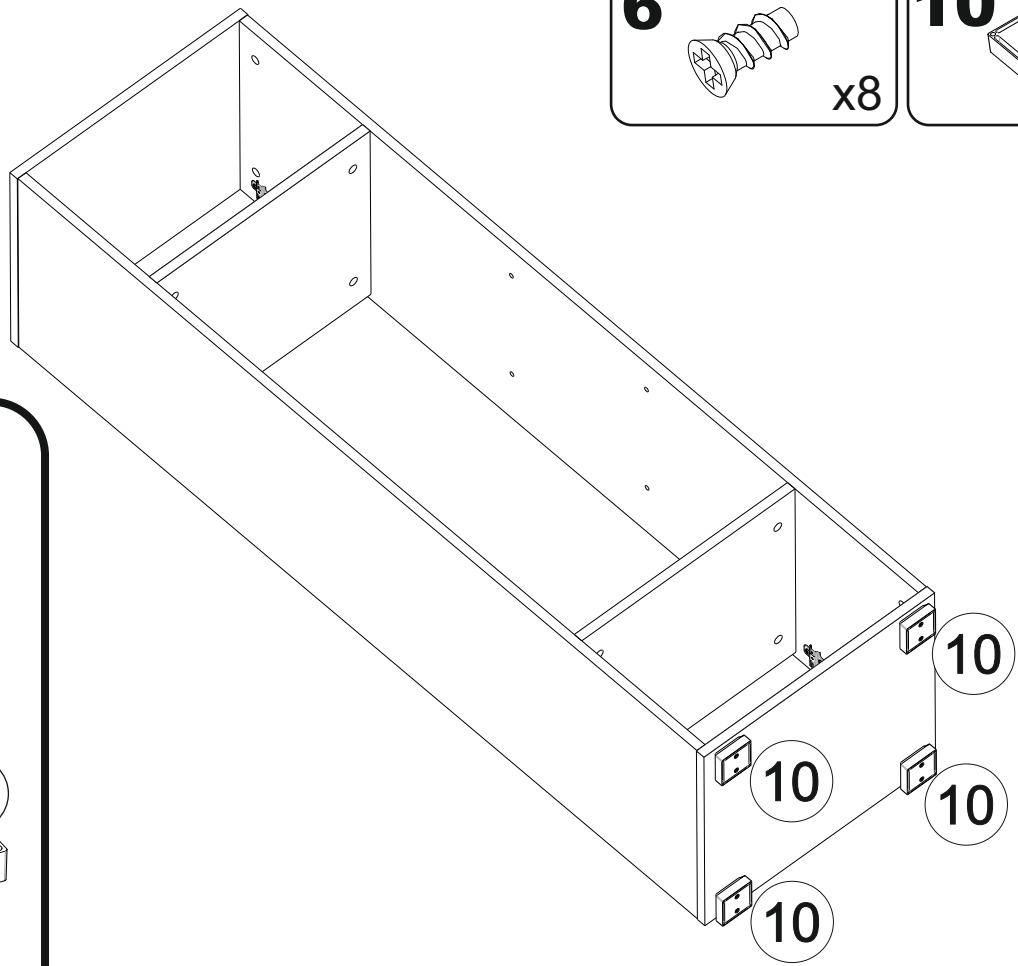
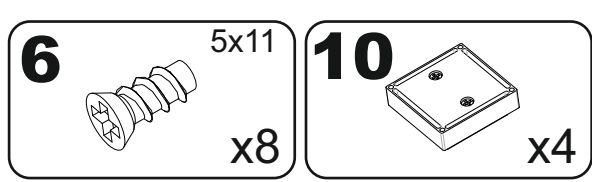


# 10

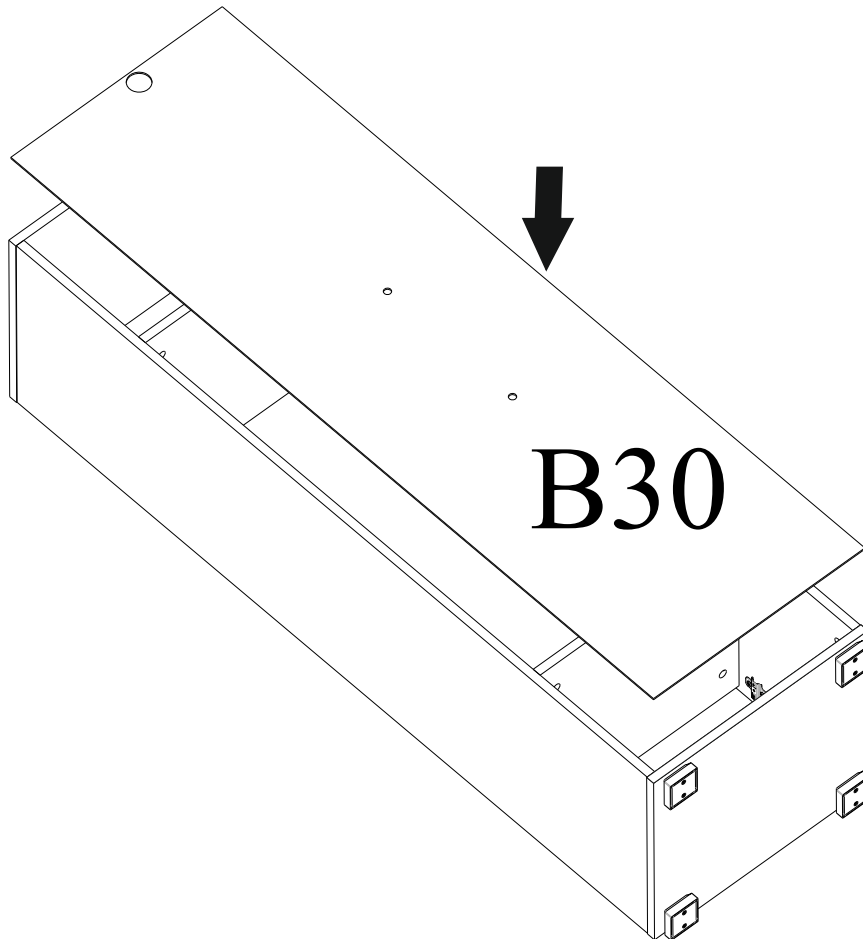




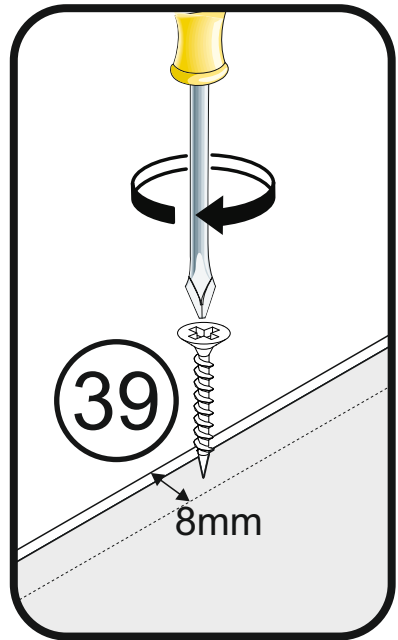
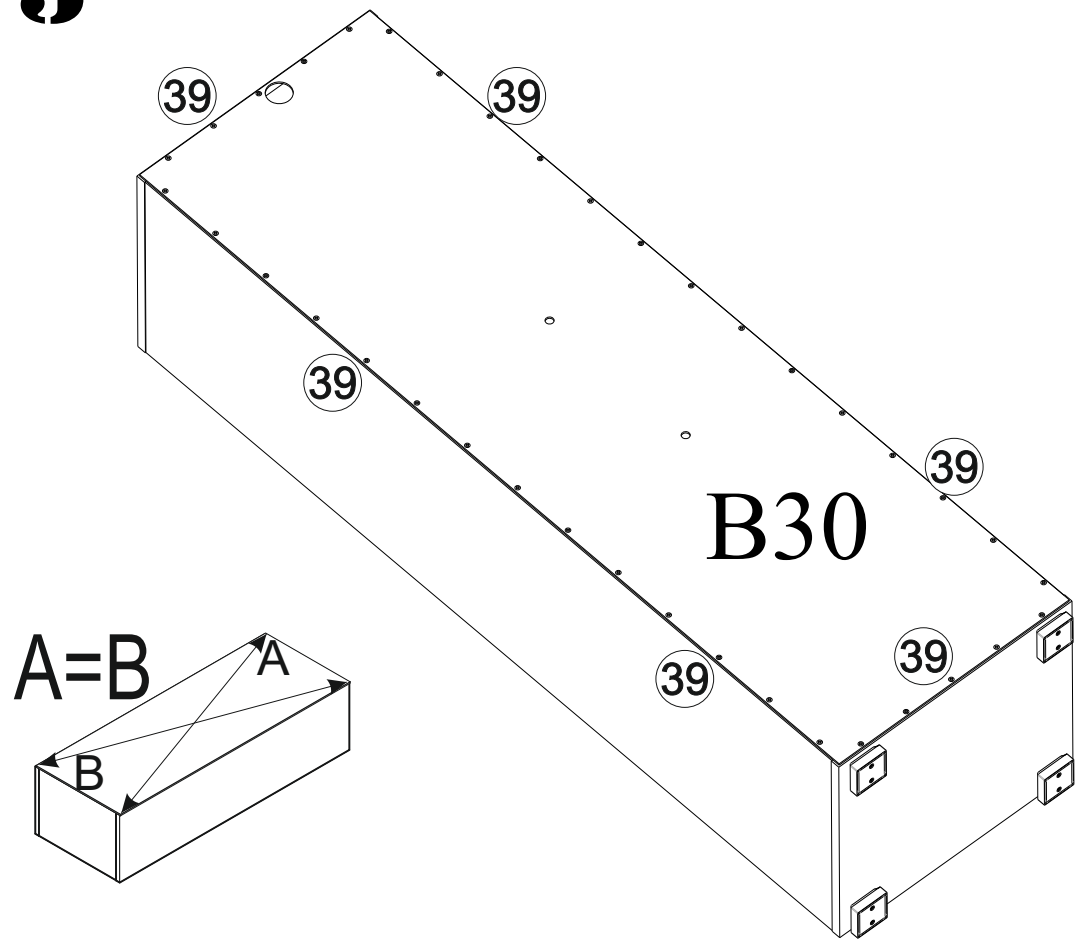
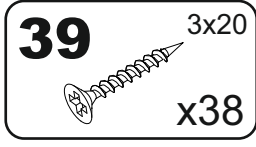
# 11



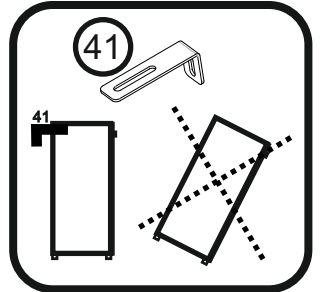
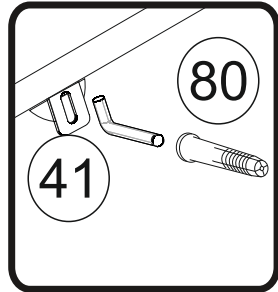
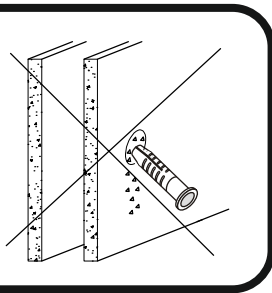
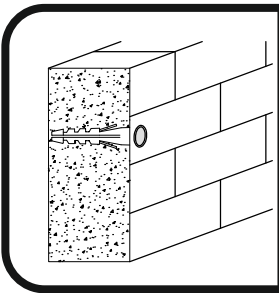
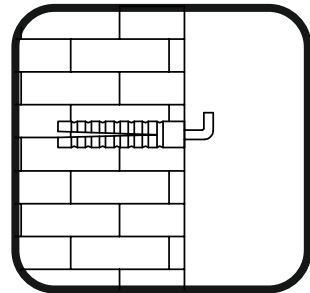
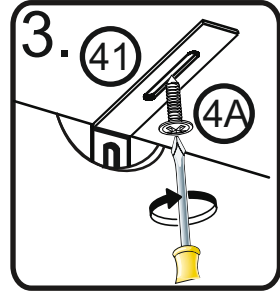
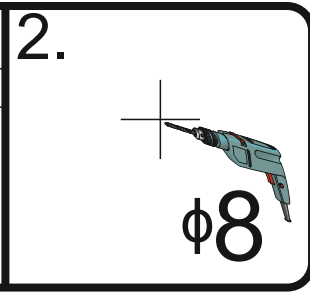
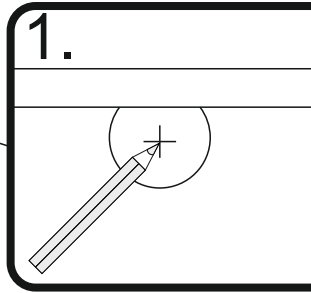
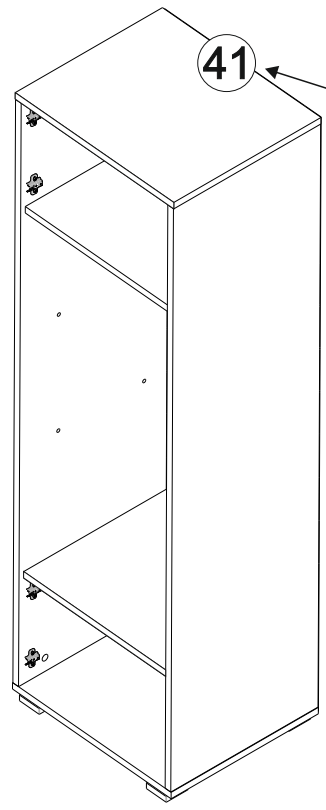
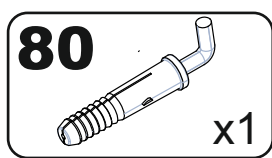
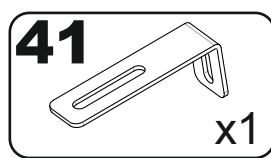
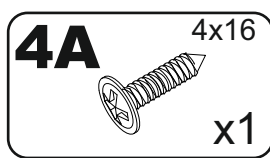
# 12



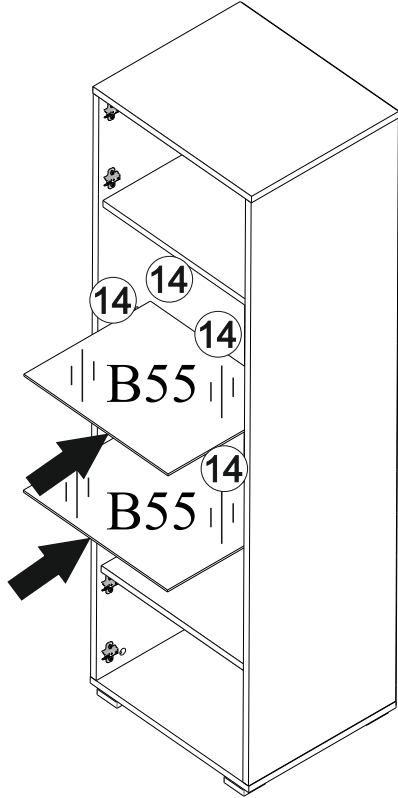
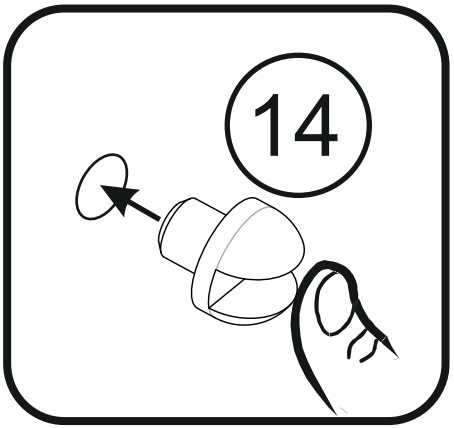
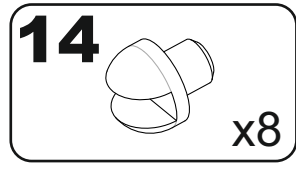
# 13



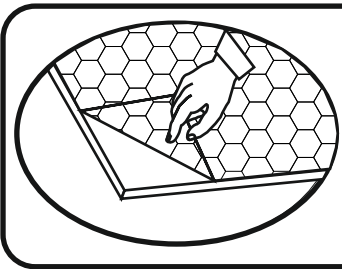
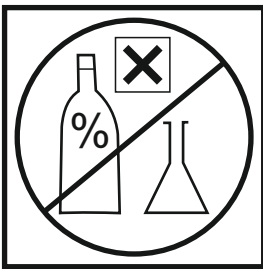
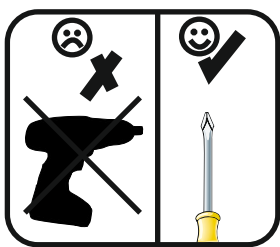
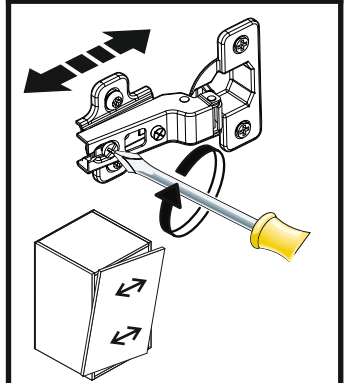
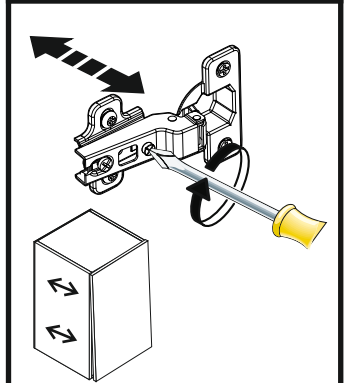
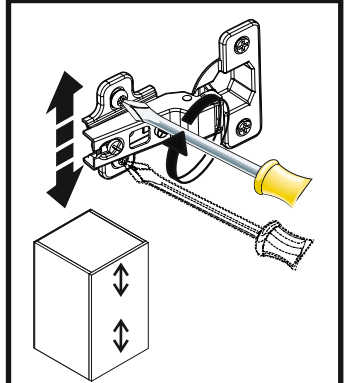
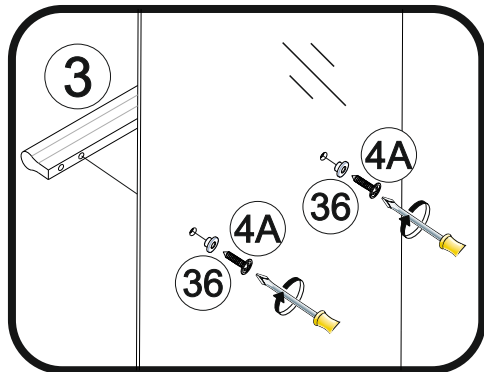
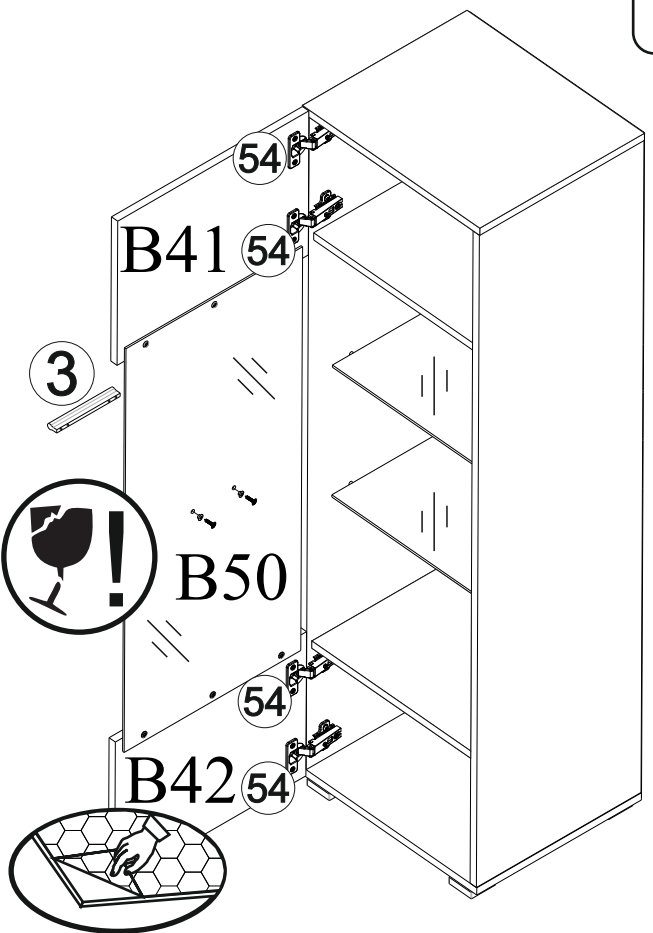
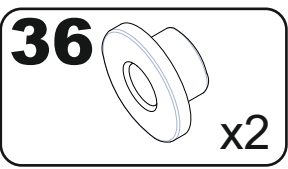
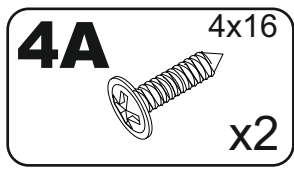
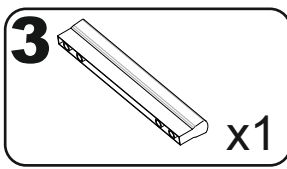
# 14



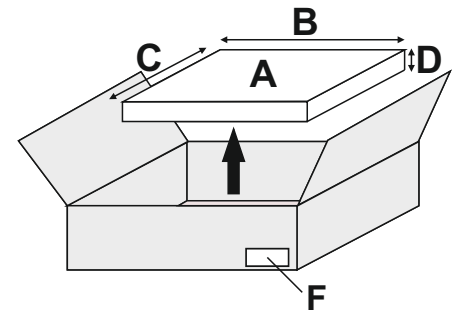
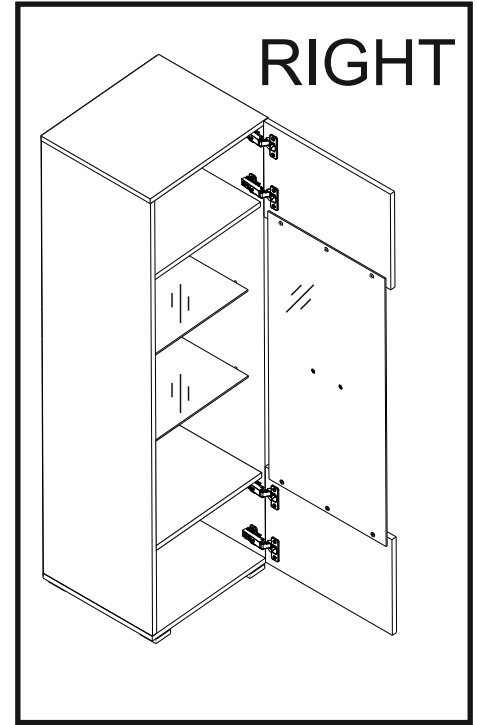
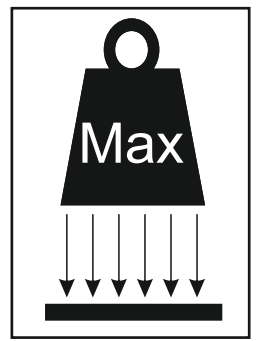
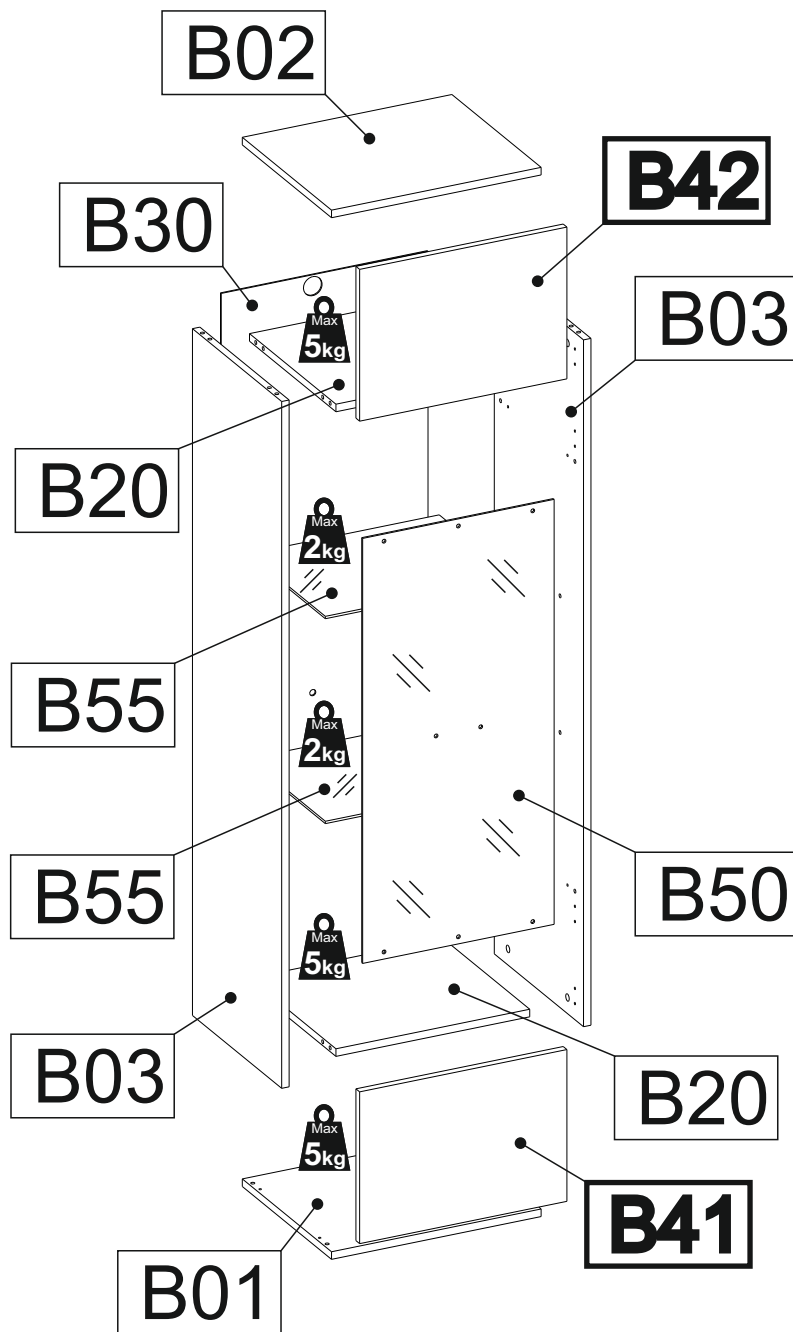
# 15



# 16

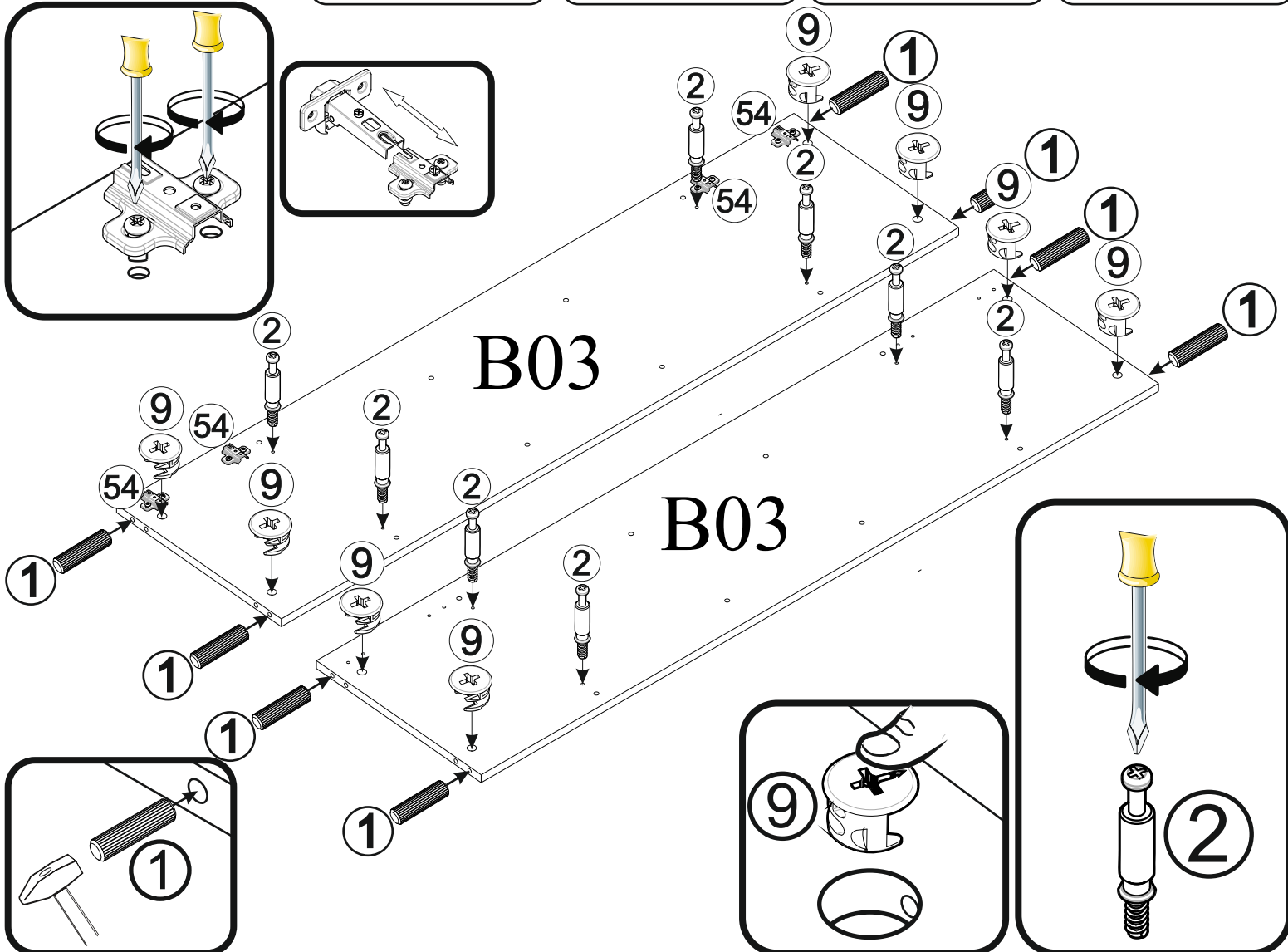
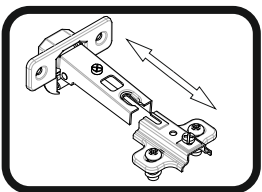
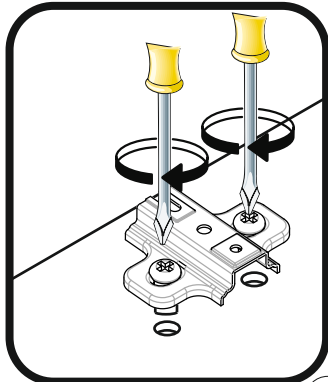
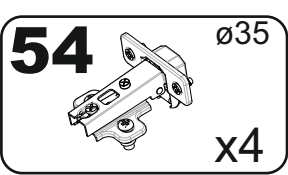
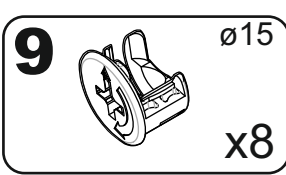
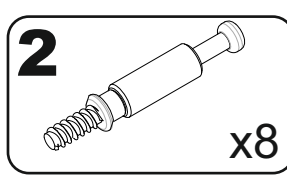
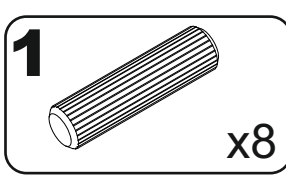


# B

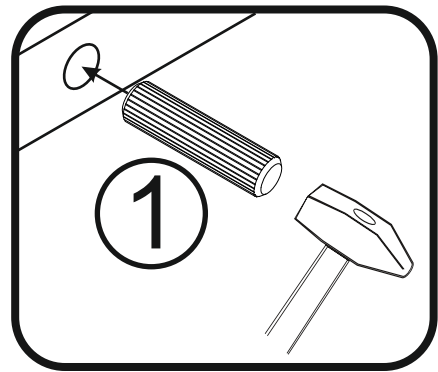
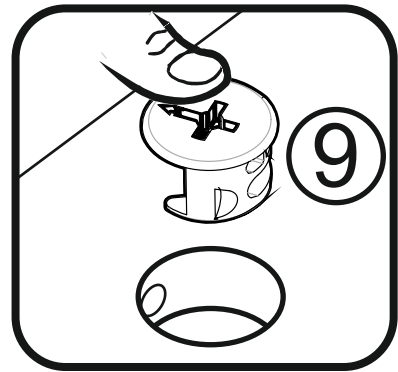
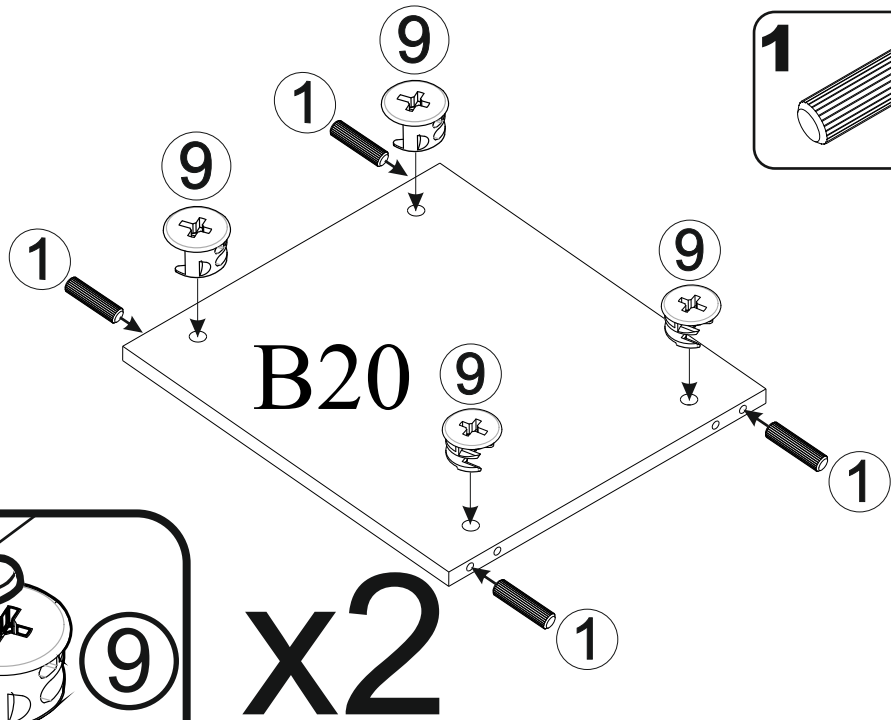
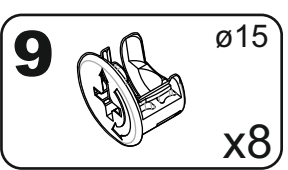
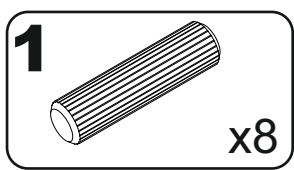


| A   | B_(in) | B_(mm) | C_(in) | C_(mm) | D_(in) | D_(mm) | E_(Qty) | F_(Box) |
|-----|--------|--------|--------|--------|--------|--------|---------|---------|
| B01 | 17,76  | 451    | 15,12  | 384    | 0,63   | 16     | 1       | 3 3     |
| B02 | 17,76  | 451    | 15,12  | 384    | 0,63   | 16     | 1       | 3 3     |
| B03 | 57,01  | 1448   | 15,12  | 384    | 0,63   | 16     | 2       | 3 3     |
| B20 | 16,42  | 417    | 14,65  | 372    | 0,63   | 16     | 2       | 3 3     |
| B30 | 58,07  | 1475   | 17,52  | 445    | 0,12   | 3      | 1       | 3 3     |
| B41 | 17,56  | 446    | 12,60  | 320    | 0,63   | 16     | 1       | 3 3     |
| B42 | 17,56  | 446    | 12,60  | 320    | 0,63   | 16     | 1       | 3 3     |
| B50 | 35,28  | 896    | 16,22  | 412    | 0,16   | 4      | 1       | 3 3     |
| B55 | 16,14  | 410    | 12,99  | 330    | 0,20   | 5      | 2       | 3 3     |

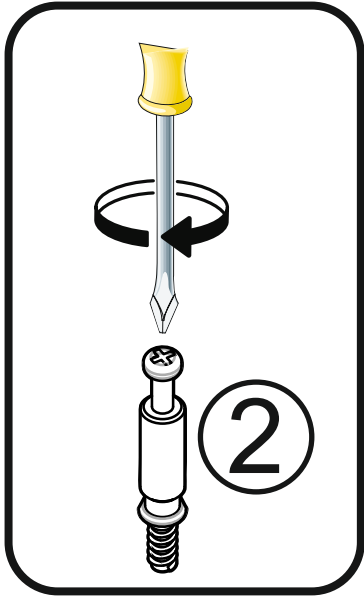
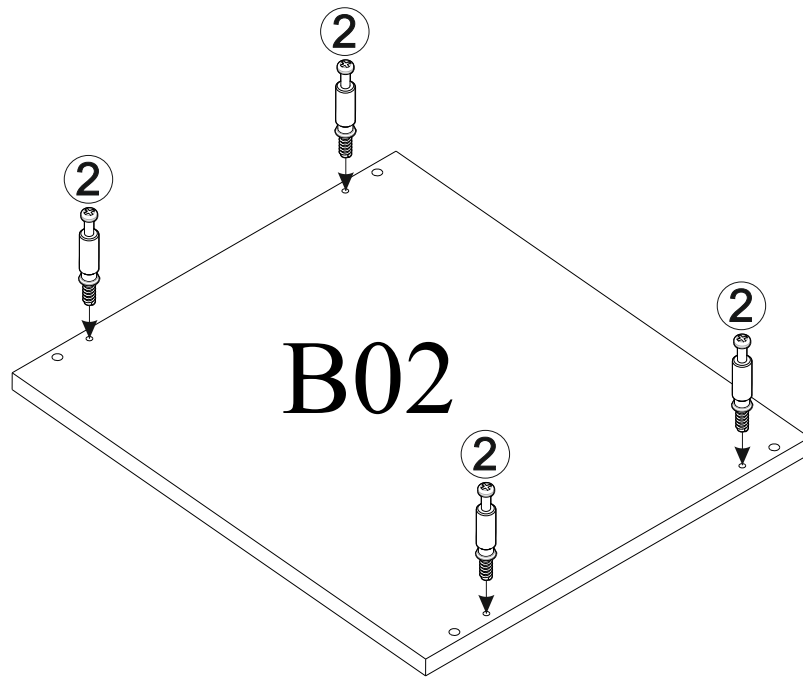
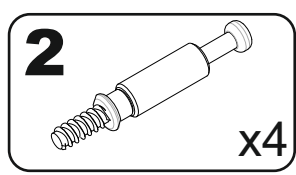
# 1



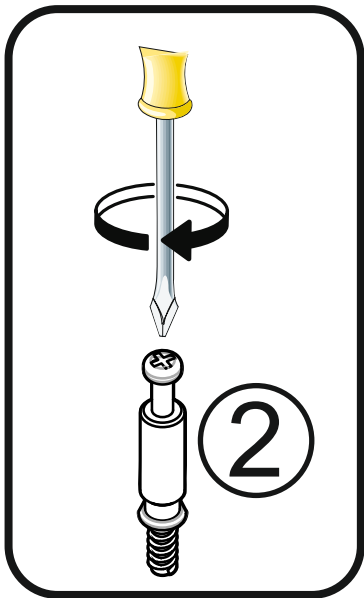
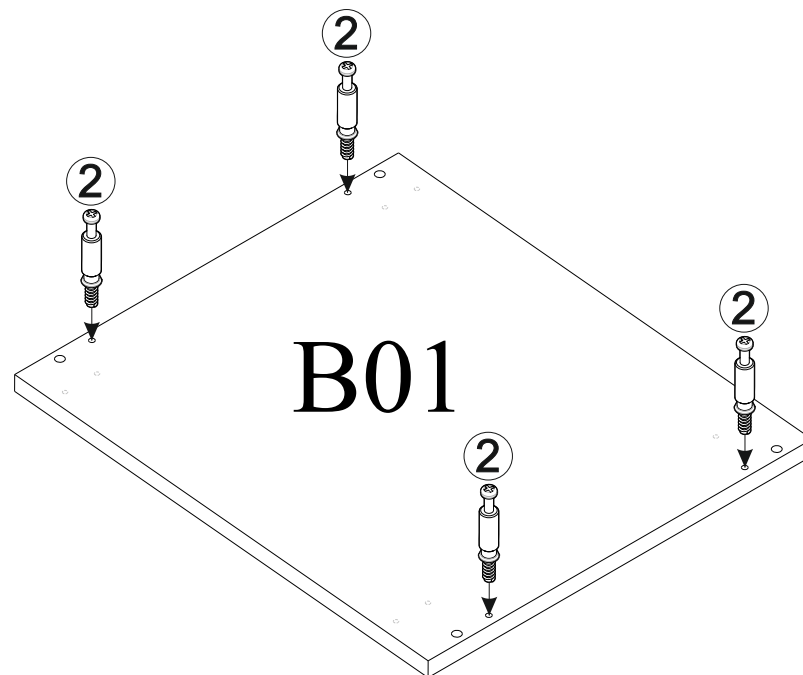
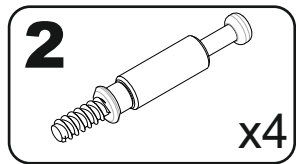
# 2



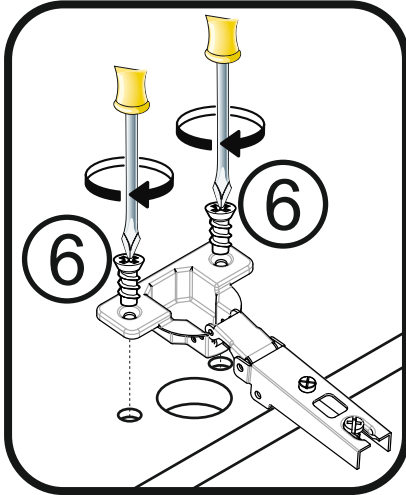
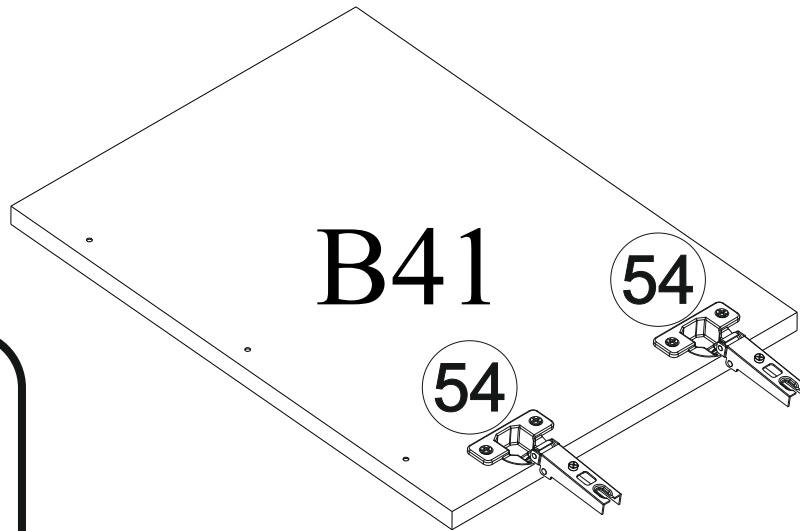
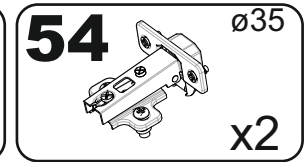
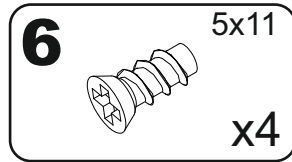
3



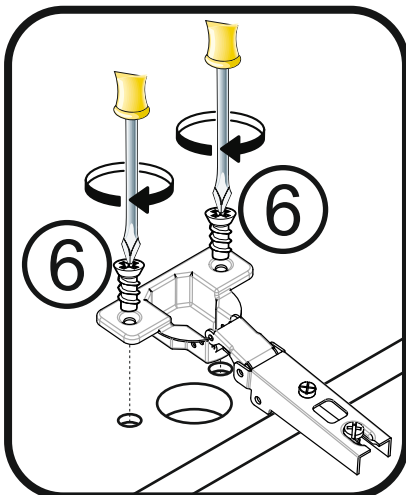
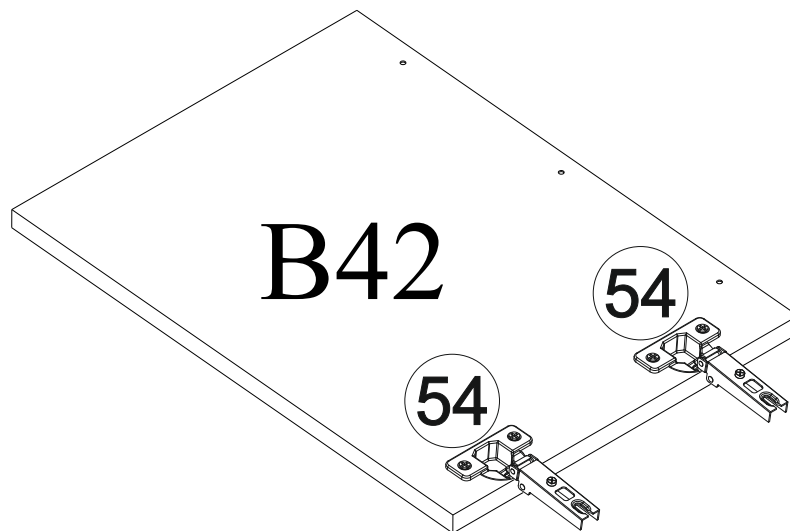
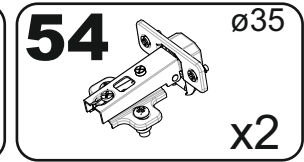
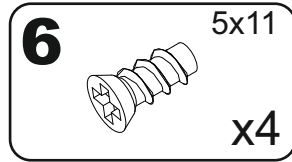
4



5

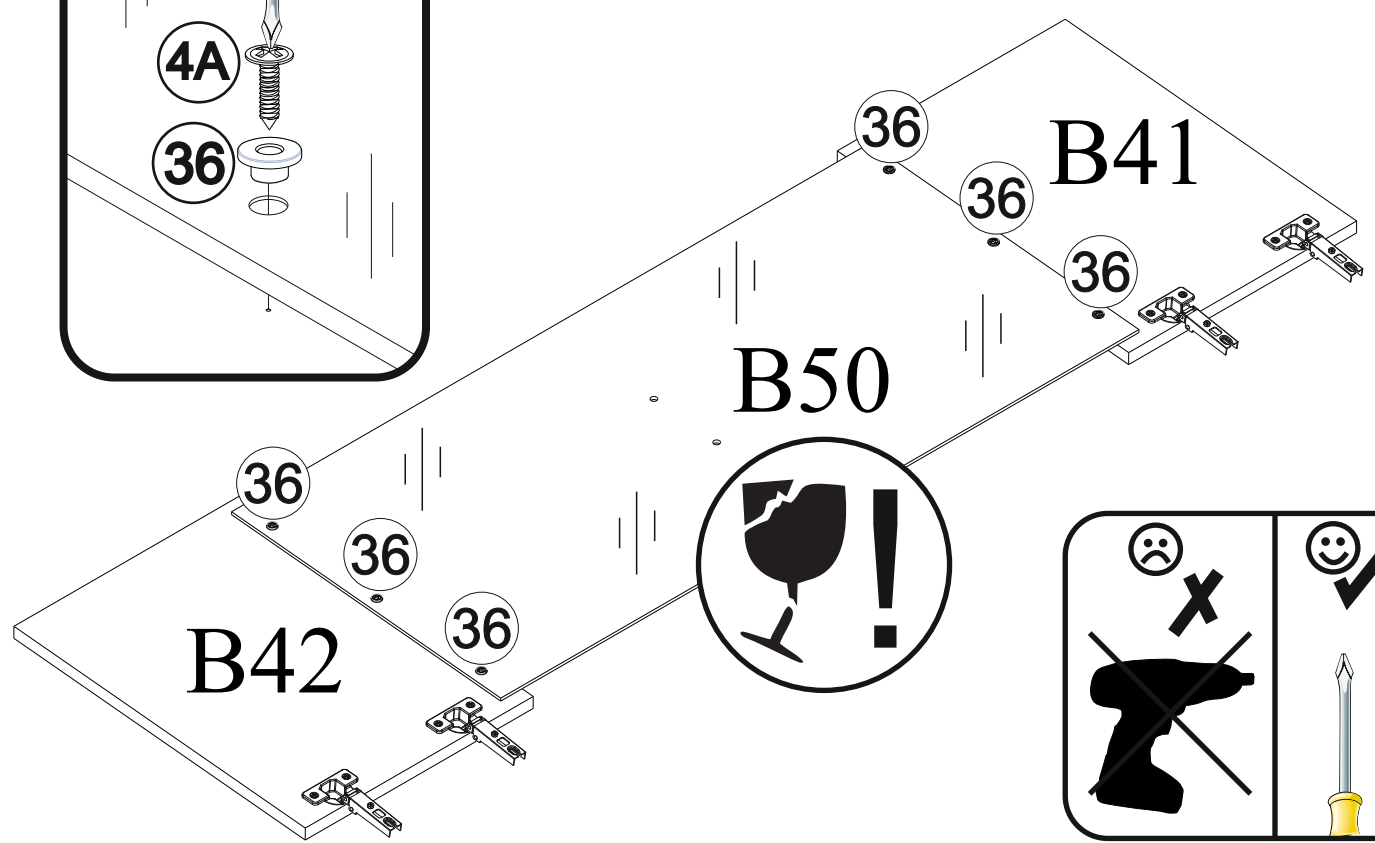
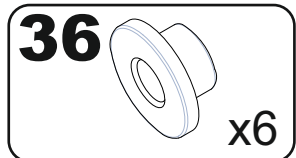
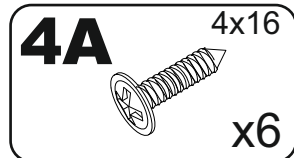
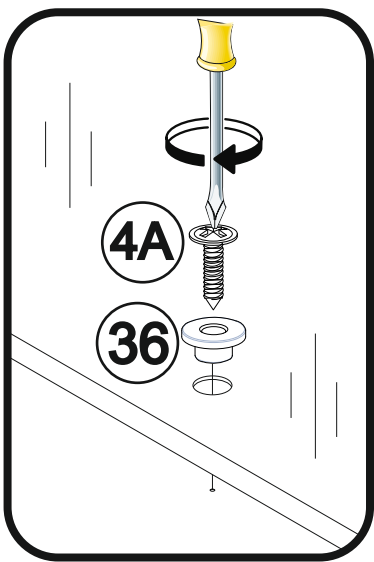


6

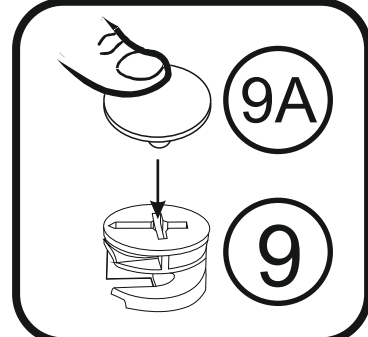
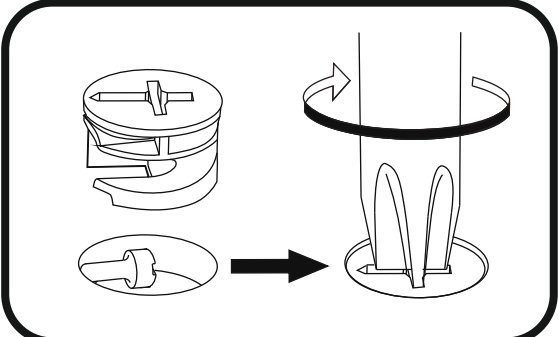
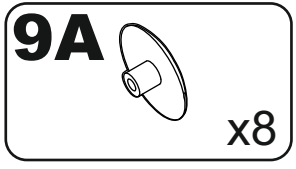
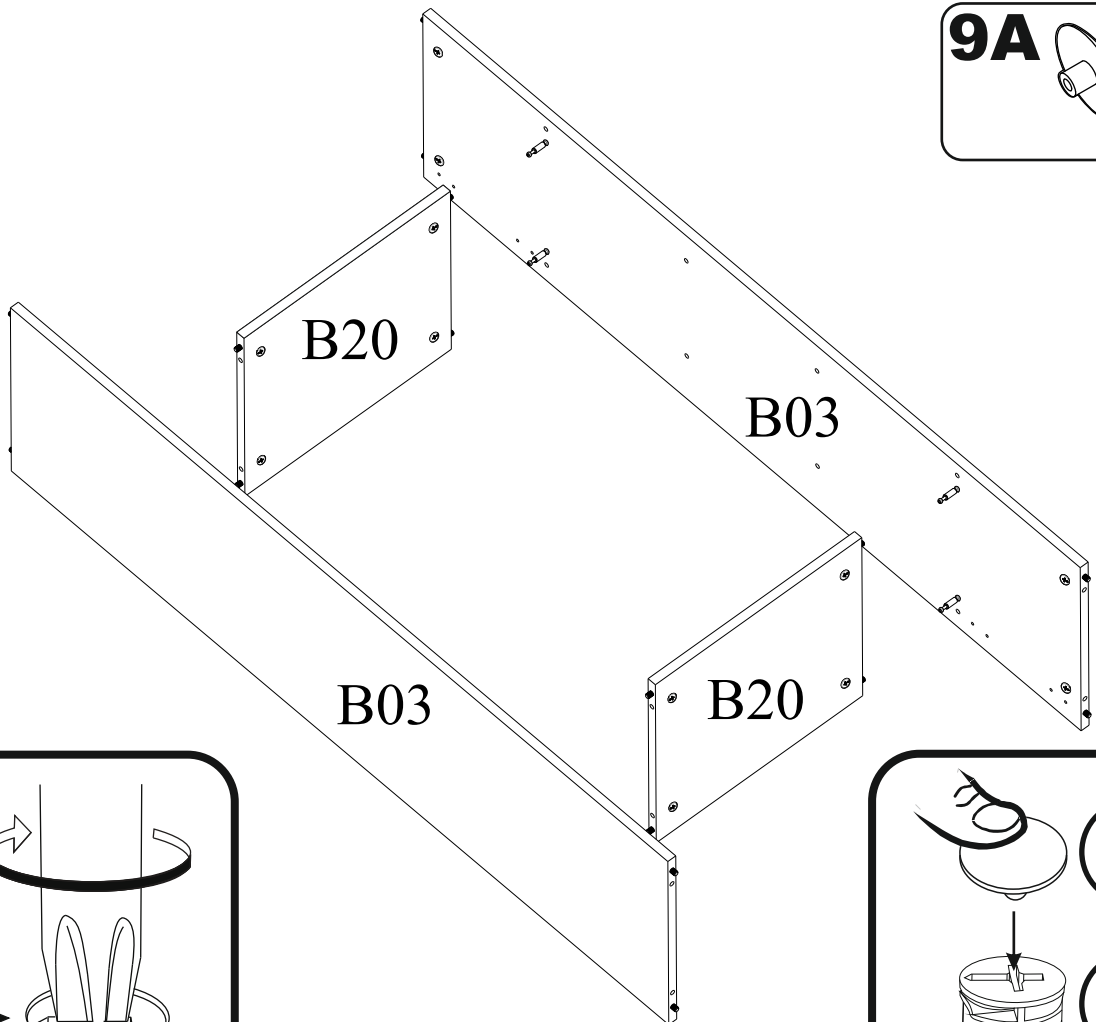




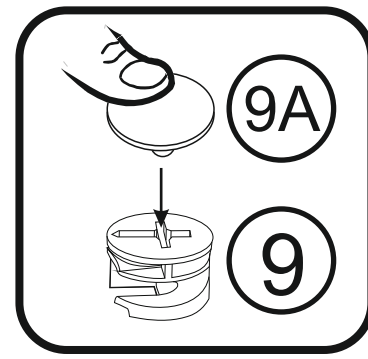
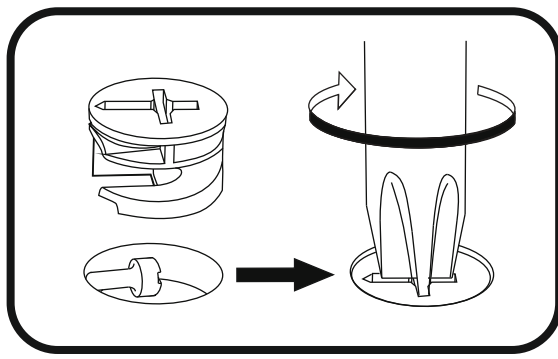
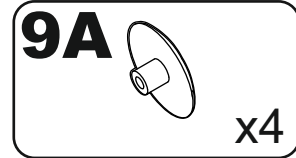
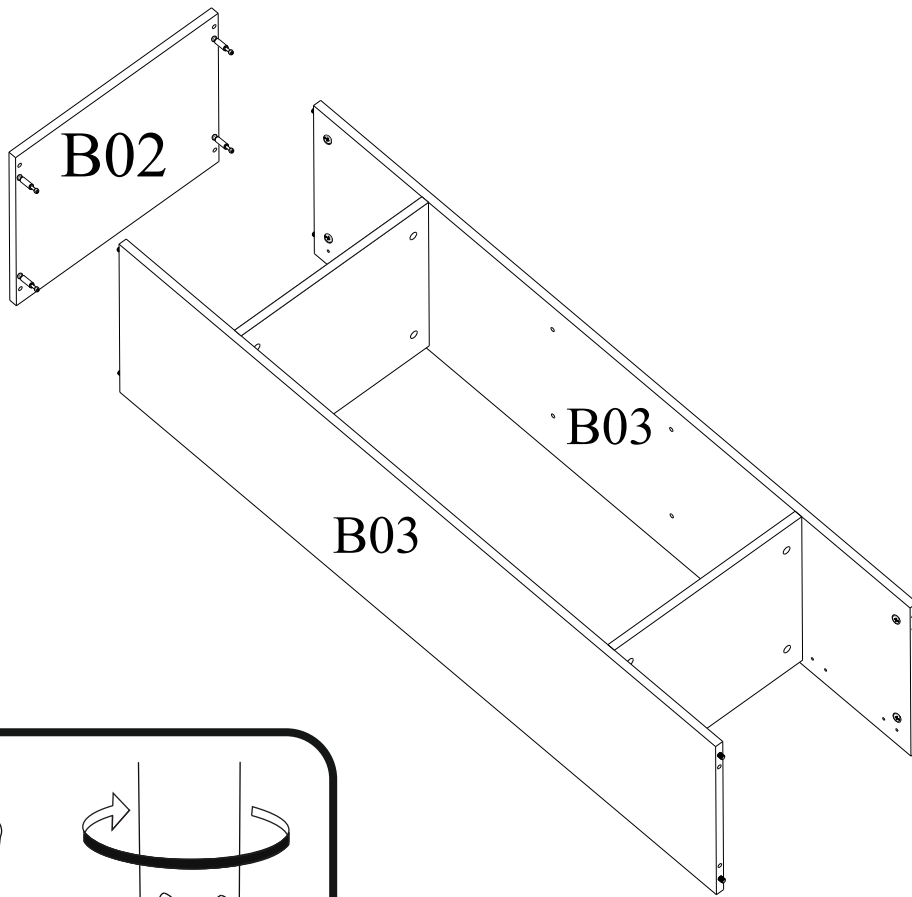
7



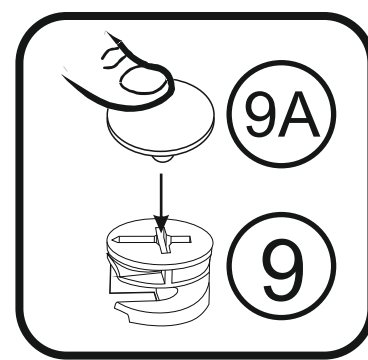
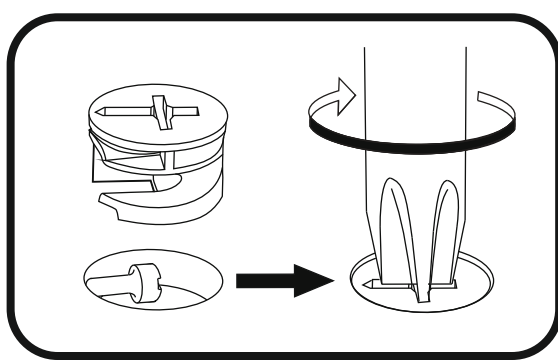
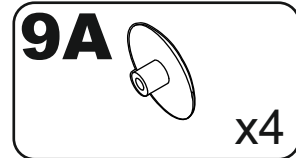
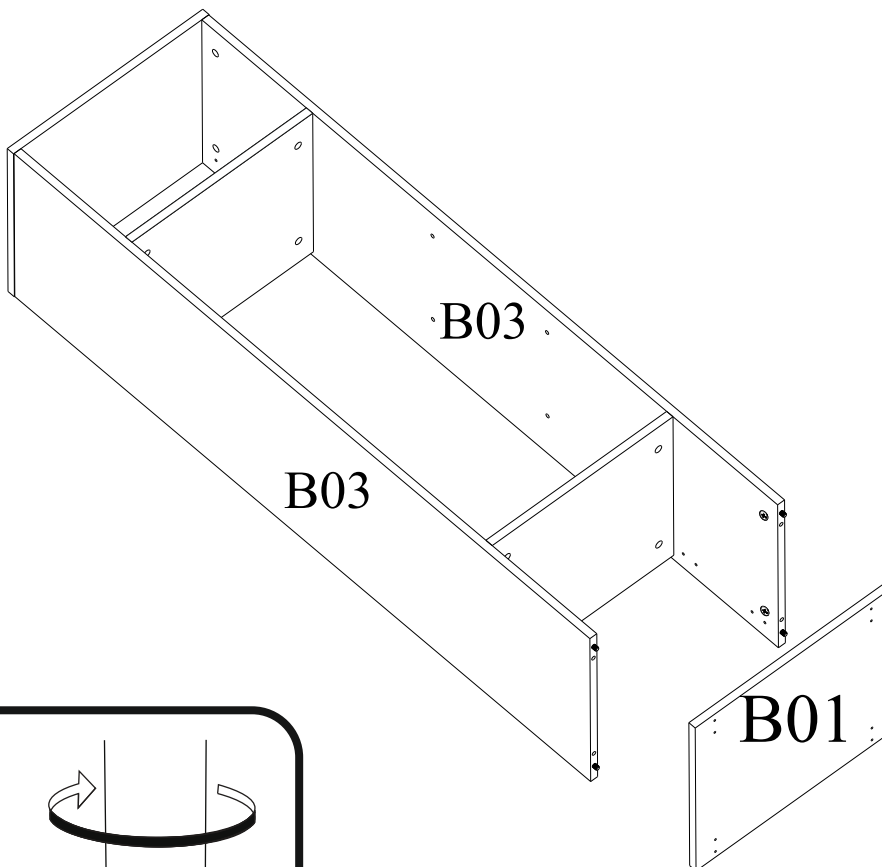
8



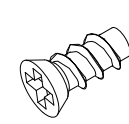
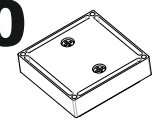
# 9

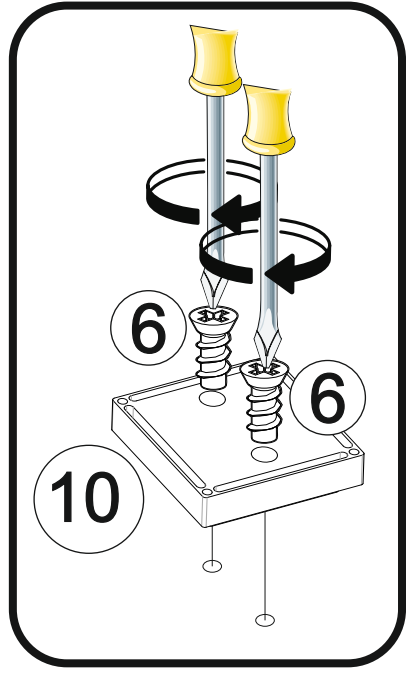
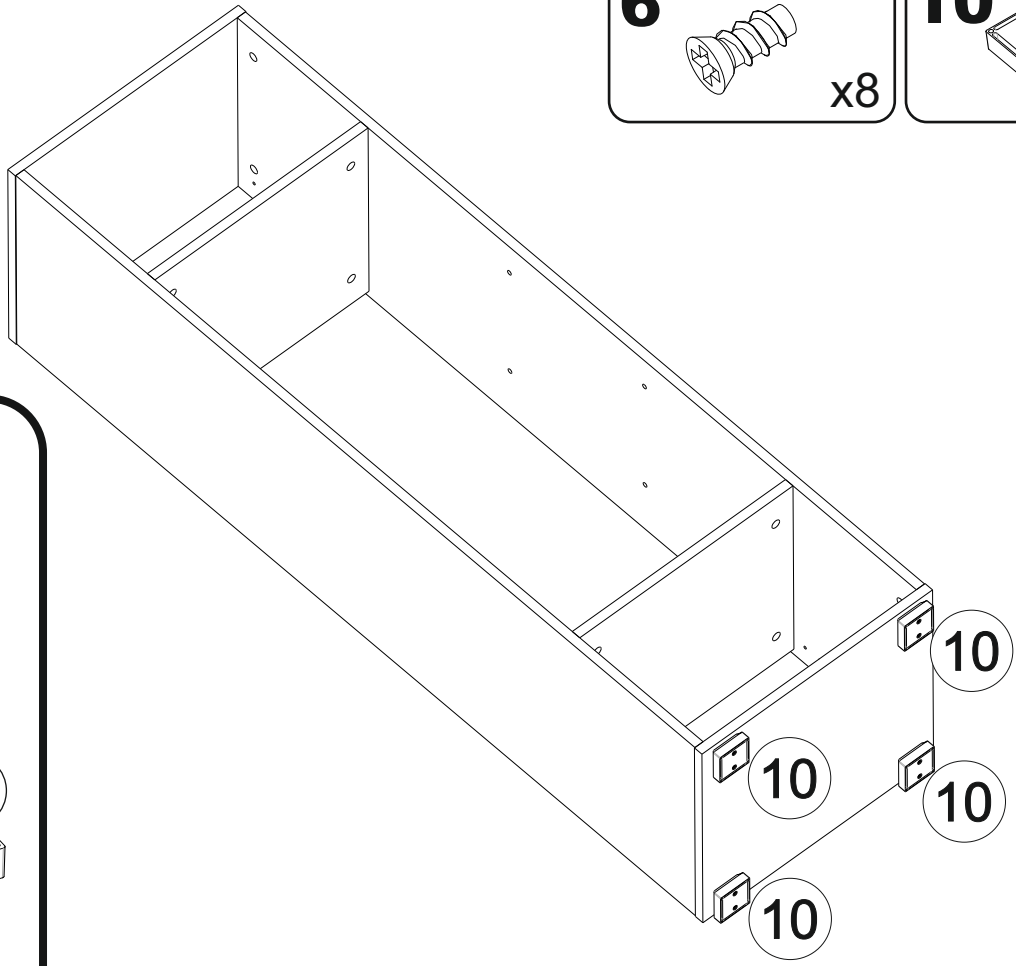


# 10

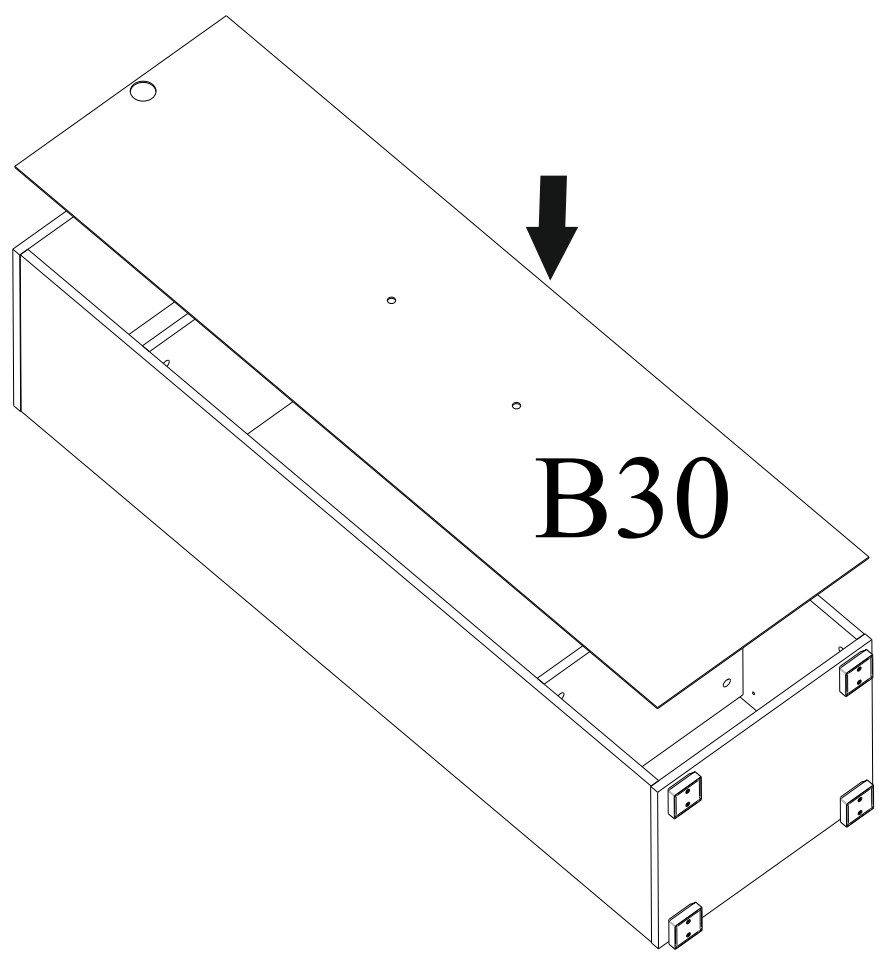


# 11

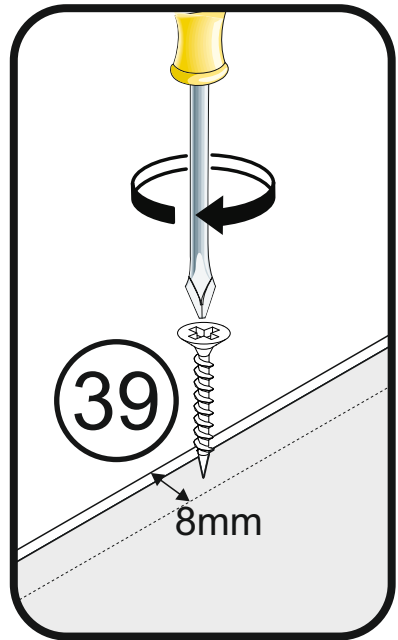
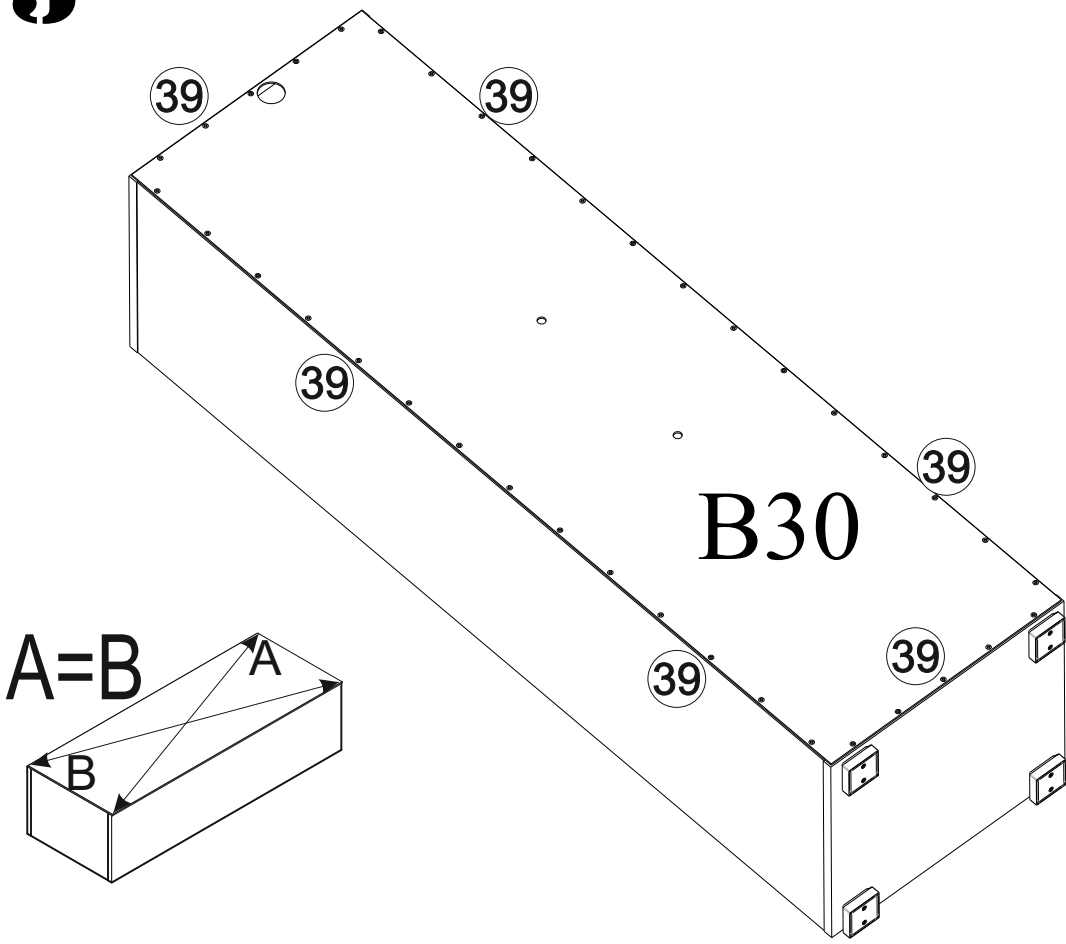
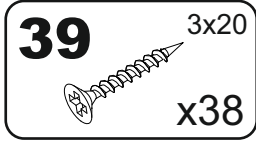
**6** 5x11 x8   
**10**  x4



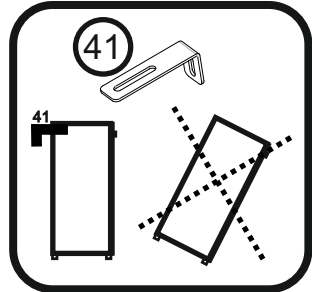
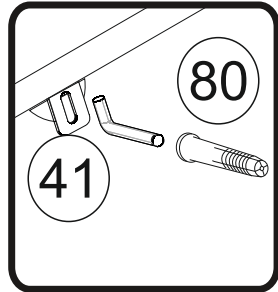
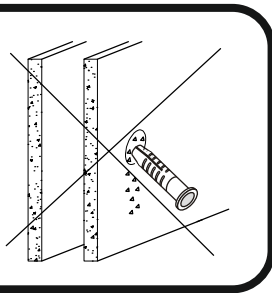
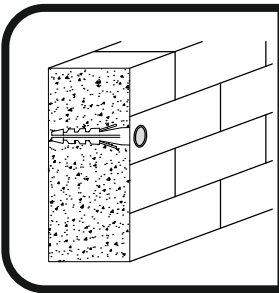
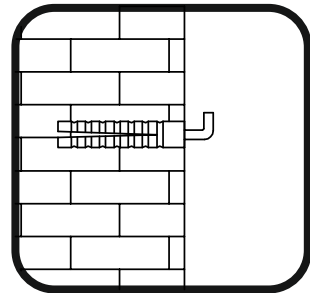
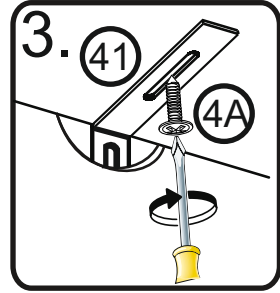
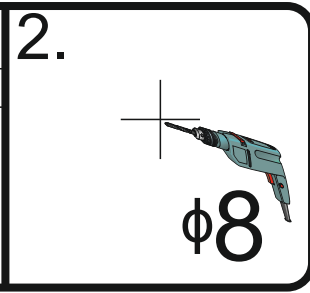
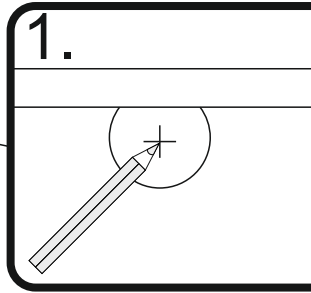
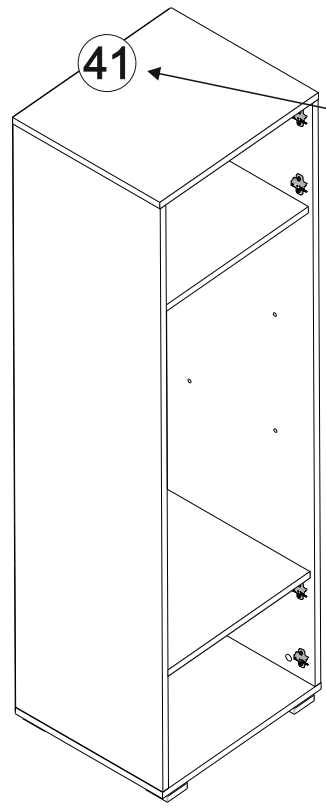
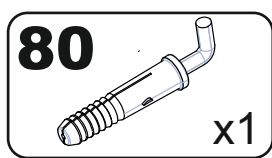
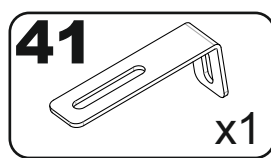
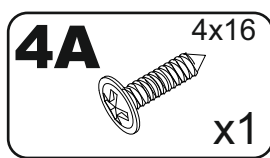
# 12



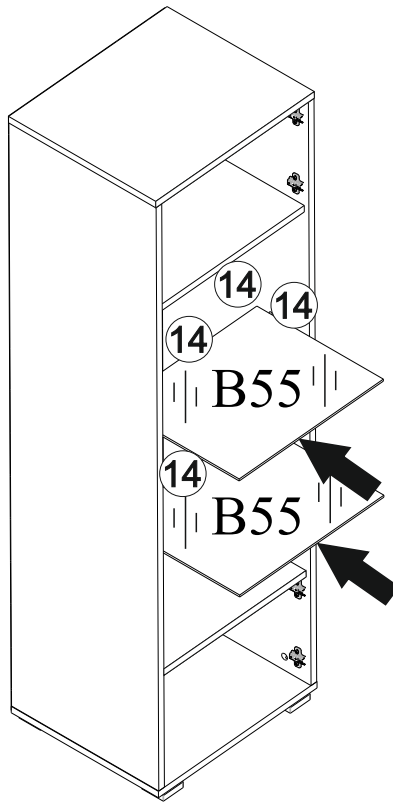
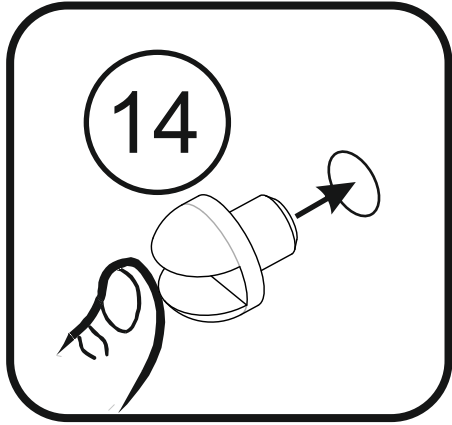
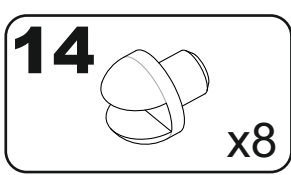
# 13



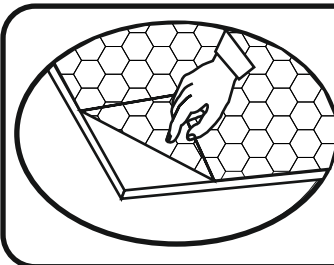
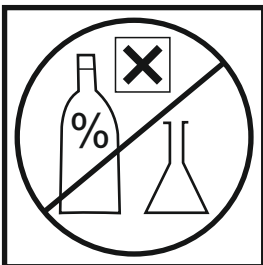
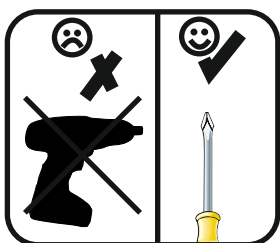
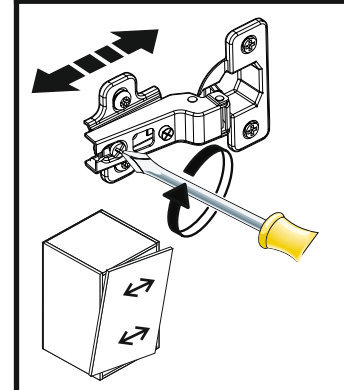
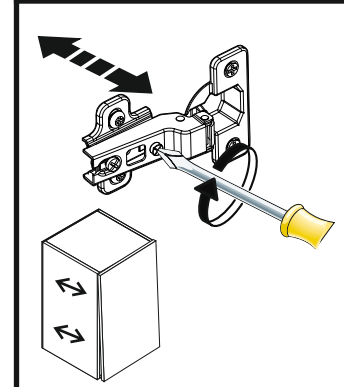
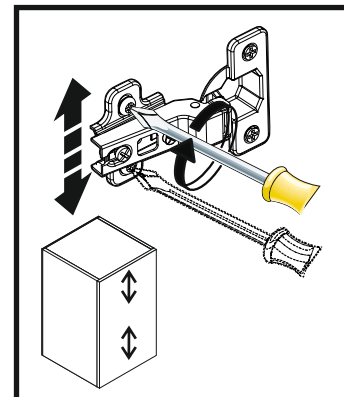
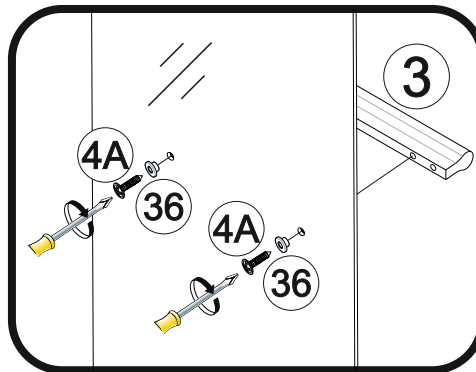
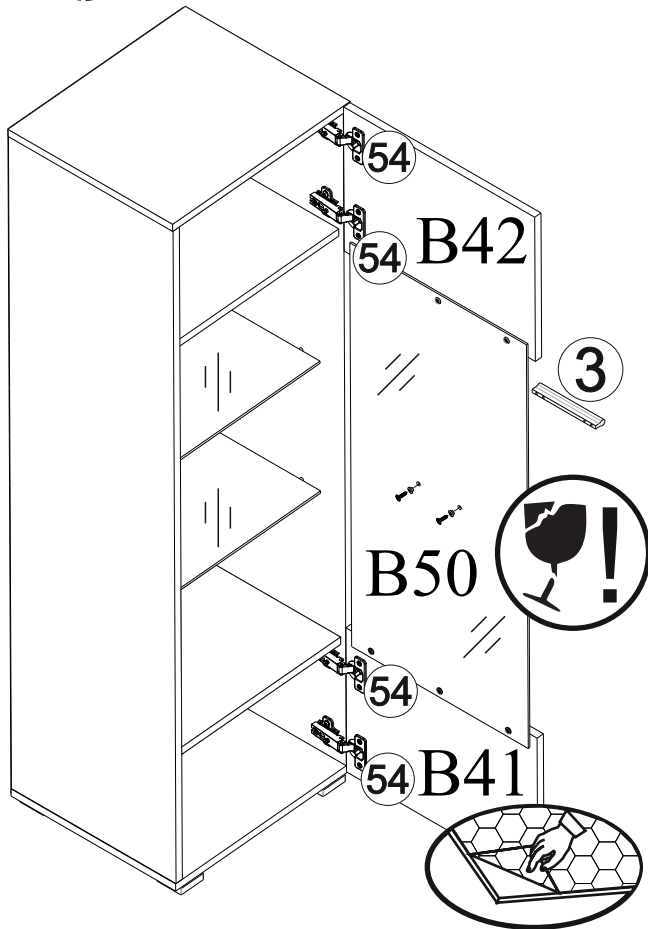
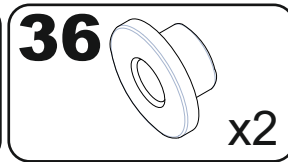
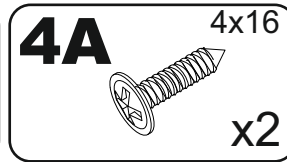
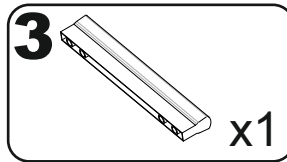
# 14



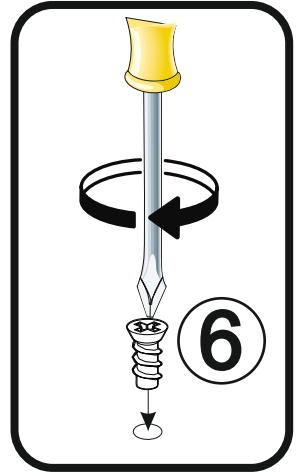
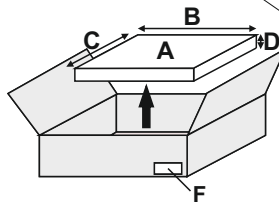
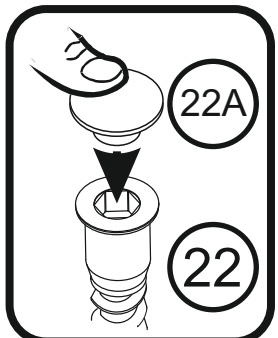
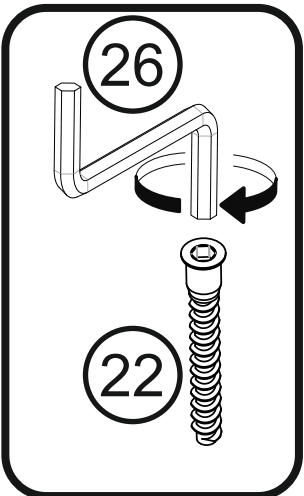
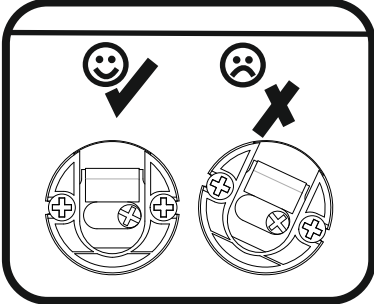
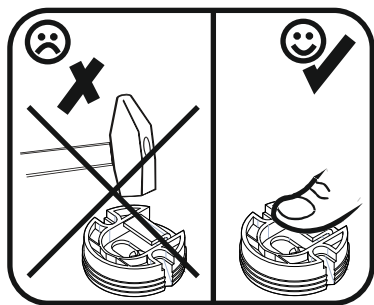
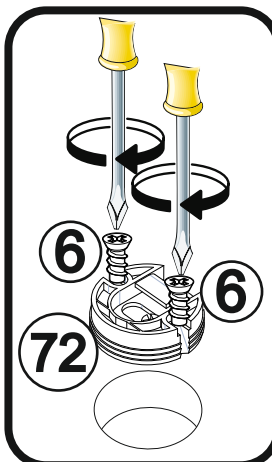
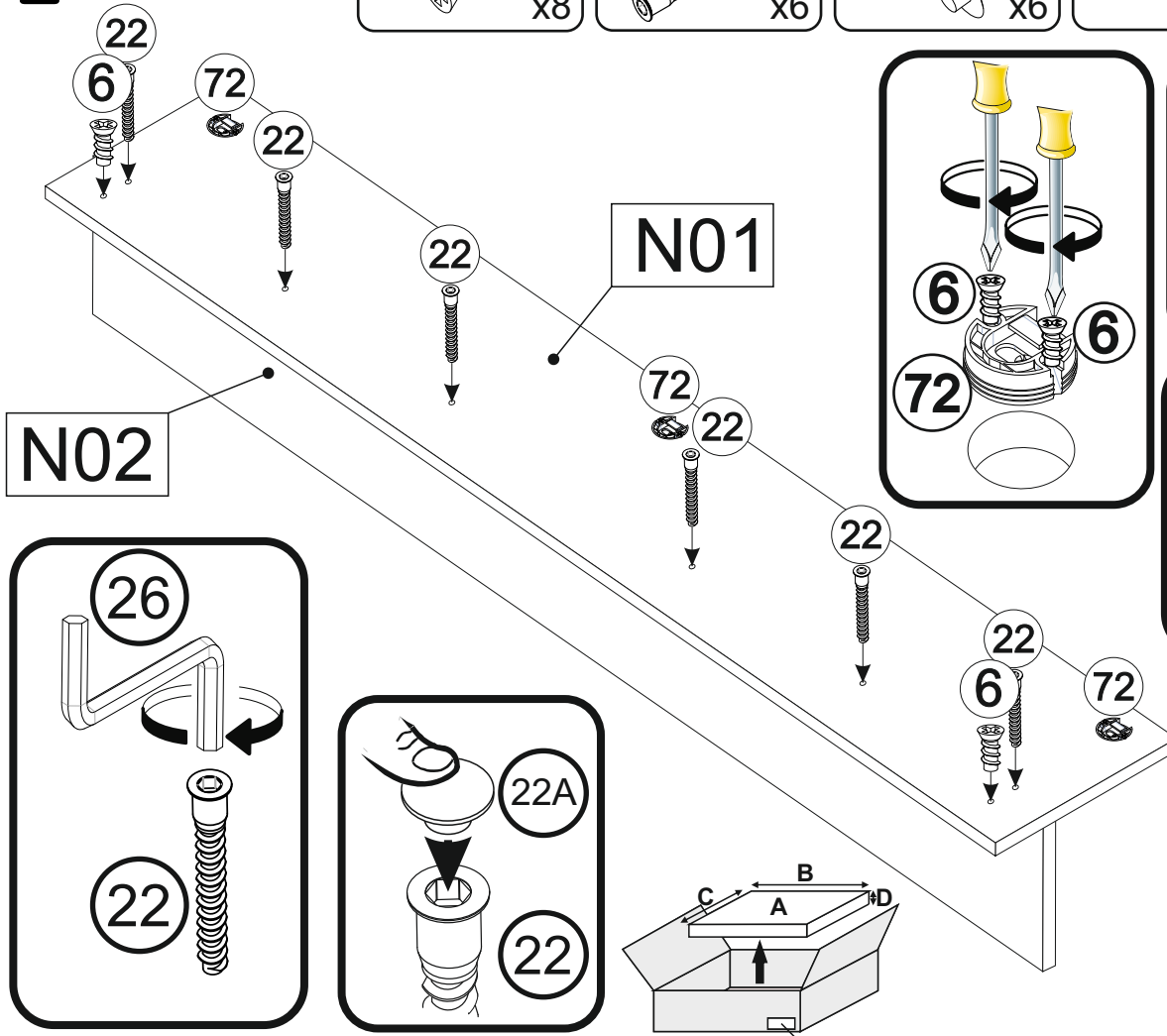
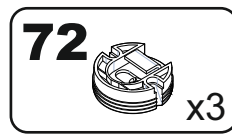
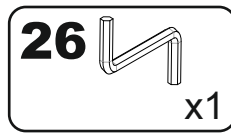
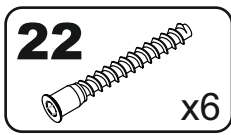
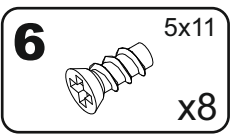
# 15



# 16

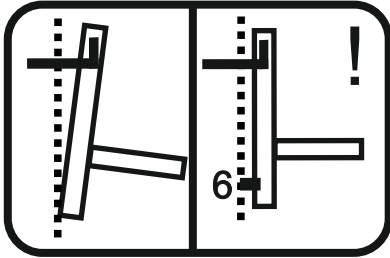
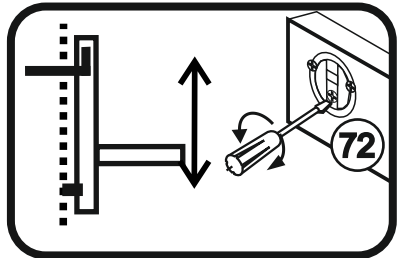
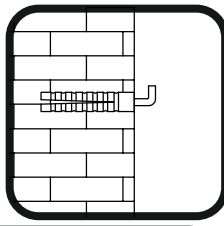
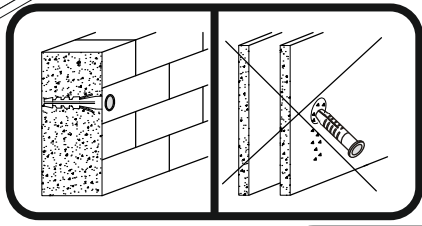
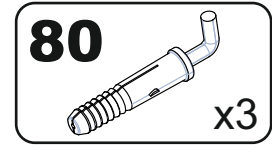
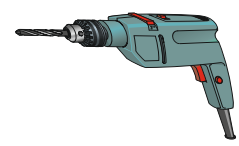
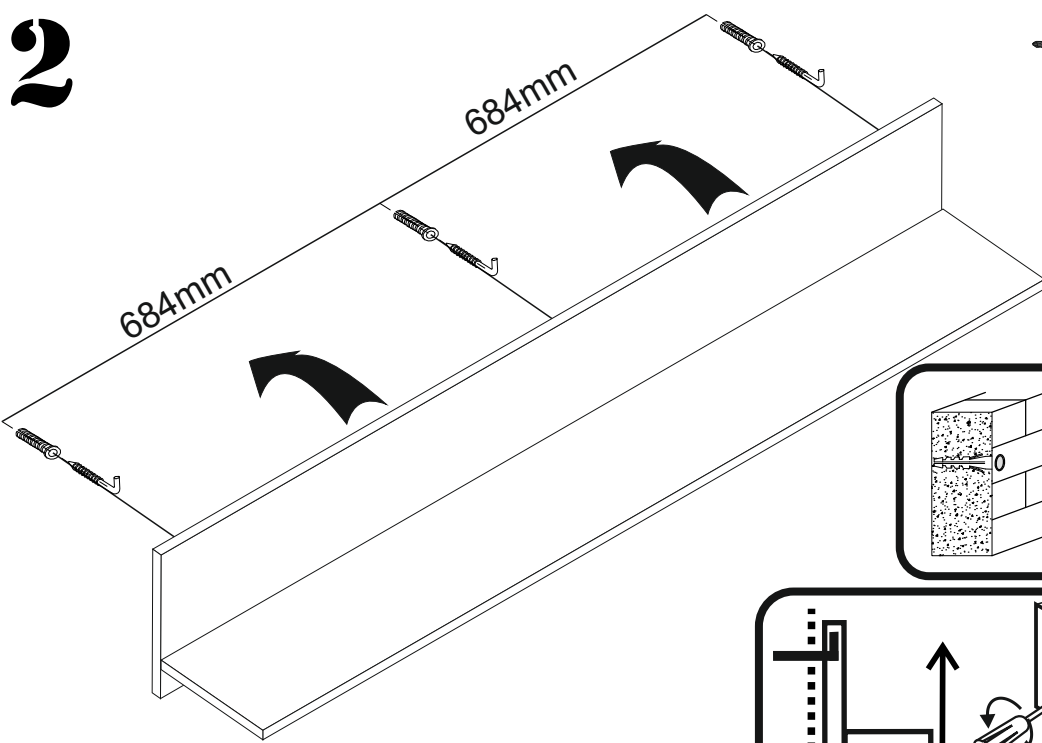


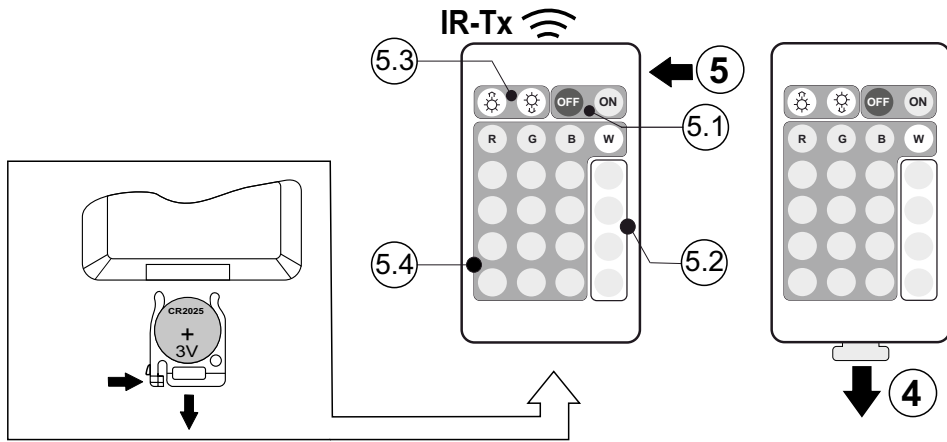
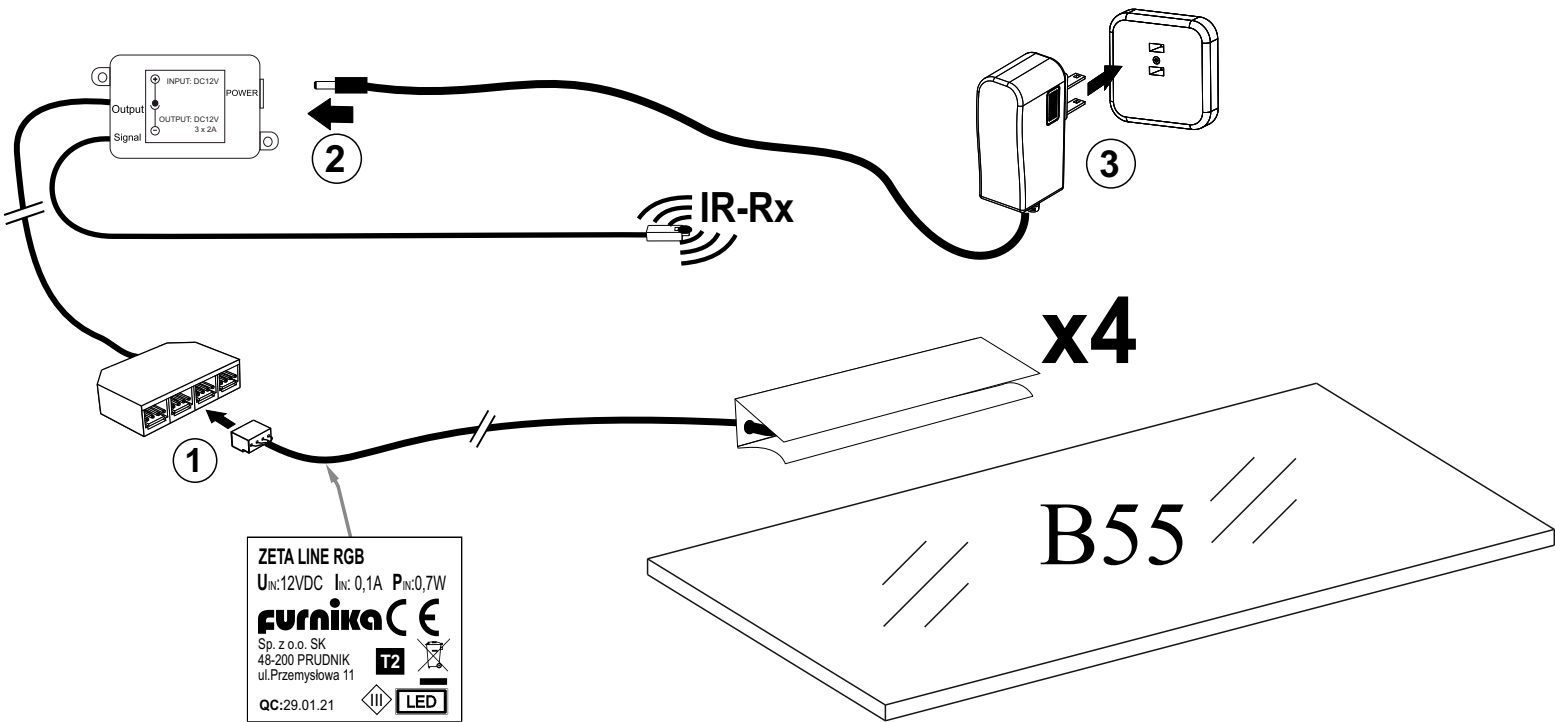
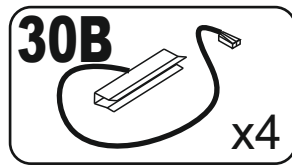
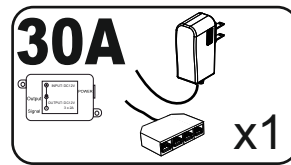
# 1



| A   | B (in) | B (mm) | C (in) | C (mm) | D (in) | D (mm) | E (Qty) | F (Box) |
|-----|--------|--------|--------|--------|--------|--------|---------|---------|
| N01 | 62,99  | 1600   | 8,86   | 225    | 0,63   | 16     | 1       | 2 3     |
| N02 | 62,91  | 1598   | 7,87   | 200    | 0,63   | 16     | 1       | 3 3     |

# 2





|     |  |
|-----|--|
| 5.1 | <b>USA</b> -On/off// <b>PL</b> -Włącz/wyłącz// <b>DE</b> - Ein und Ausschalten// <b>EN</b> -On/off// <b>FR</b> -Enclencher/Déclencher// <b>NL</b> -Aan/Uit// <b>IT</b> -Accendi/Spegni// <b>ES</b> -prender/apagar// <b>PT</b> -Ligue/Desligue// <b>DA</b> -On/Off// <b>SV</b> -Slå på/Stäng av// <b>HU</b> -Bekapcsolás/Kikapcsolás// <b>BG</b> -Включване/Изключване// <b>RU</b> -включена/выключена// <b>EL</b> -Ενεργοποίηση/Απενεργοποίηση// <b>TR</b> -Aç/Kapat// <b>CS</b> -On/Off// <b>SK</b> -Zapnúť/Vypnúť// <b>SLO</b> -Vklopi/Izklopi// <b>RO</b> -Aprinde/Stin e// <b>FI</b> -Sytytä/Sammuta// <b>ET</b> -Lülita sisse/Lülita välja// <b>LV</b> -Ieslēgt/Izslēgt// <b>LT</b> -Ijunggti/Išju ngt// <b>M</b> -Fuq/O ffswitching// <b>HR</b> -uključiti/ isključiti//  |
| 5.2 | <b>USA</b> -program selection// <b>PL</b> -wybór programu// <b>DE</b> - Programmwahl// <b>EN</b> -program selectio n// <b>FR</b> -sélection deogramme// <b>IT</b> -selezione del programma// <b>ES</b> -selección del programa// <b>PT</b> -seleção de programa// <b>DA</b> -Programvalg// <b>SV</b> -programval// <b>BG</b> -избор на програма// <b>RU</b> -выбор программы// <b>EL</b> -Η επιλογή του προγράμματος// <b>TR</b> -Program seçimi// <b>CS</b> -Volba programu// <b>SK</b> -voľba programu// <b>SLO</b> -izbira programa// <b>RO</b> -de selectare a programului// <b>FI</b> -ohjelman valinta// <b>ET</b> -programmi valik// <b>LT</b> -programos pasirinkimas// <b>M</b> -għ aźla tal-rogramm// <b>NL</b> -programmakeuze// <b>HU</b> -Program kiválasztása// <b>LV</b> -programmas izvēle// <b>HR</b> -vrsta programa// |
| 5.3 | <b>USA</b> -lighter/darker// <b>PL</b> -jaśniej/ciemniej// <b>DE</b> -heller/dunkler// <b>EN</b> -lighter/ darker// <b>FR</b> -clair/foncé// <b>NL</b> -lichter/donkerder// <b>ES</b> -claro/oscuro// <b>PT</b> -claro/escuro// <b>DA</b> -lysere/mørkere// <b>SV</b> -ljusare/mörkare// <b>HU</b> -világosabb/sötétebb// <b>BG</b> -запалка/тъмен// <b>RU</b> -светлее/темнее// <b>EL</b> -φωτεινότερο/σκοιυρότερο// <b>TR</b> -açık/koyu// <b>CS</b> -světlejší/tmavší// <b>SK</b> -svetlejší/tmavšie// <b>SLO</b> -svetlejši/temnejši// <b>RO</b> -deschis/Mai închis// <b>FI</b> -vaaleampi/tummempi// <b>ET</b> -Heledam/tumedam// <b>LV</b> -gaišāks/tumšāks// <b>LT</b> -šviesumo/tamsumo// <b>M</b> -eħ fef/jiskuraw// <b>IT</b> -chiaro/scuro// <b>HR</b> -svijetlije/tamnije//   |
| 5.4 | <b>USA</b> -choice of color// <b>PL</b> -wybór koloru// <b>DE</b> -Wahl der Farbe// <b>EN</b> -choice of color// <b>FR</b> -sélection de couleur// <b>NL</b> -kleur naar keuze// <b>IT</b> -selezione del colore// <b>ES</b> -elección del color// <b>PT</b> -escolha da cor// <b>DA</b> -valg af farve// <b>SV</b> -val av färg// <b>HU</b> -választott szín// <b>BG</b> -избор на цвят// <b>RU</b> -избор на цвят// <b>EL</b> -επιλογή χρώματος// <b>TR</b> -renk seçimi// <b>CS</b> -volba barvy// <b>SK</b> -voľba farby// <b>SLO</b> -izbira barv// <b>RO</b> -alegereea de culoare// <b>FI</b> -värin valinta// <b>ET</b> -värvi valik// <b>LV</b> -krāsu izvēle// <b>LT</b> -spalvos// <b>M</b> -għ aźla ta 'kulur// <b>HR</b> -promjena boja//   |