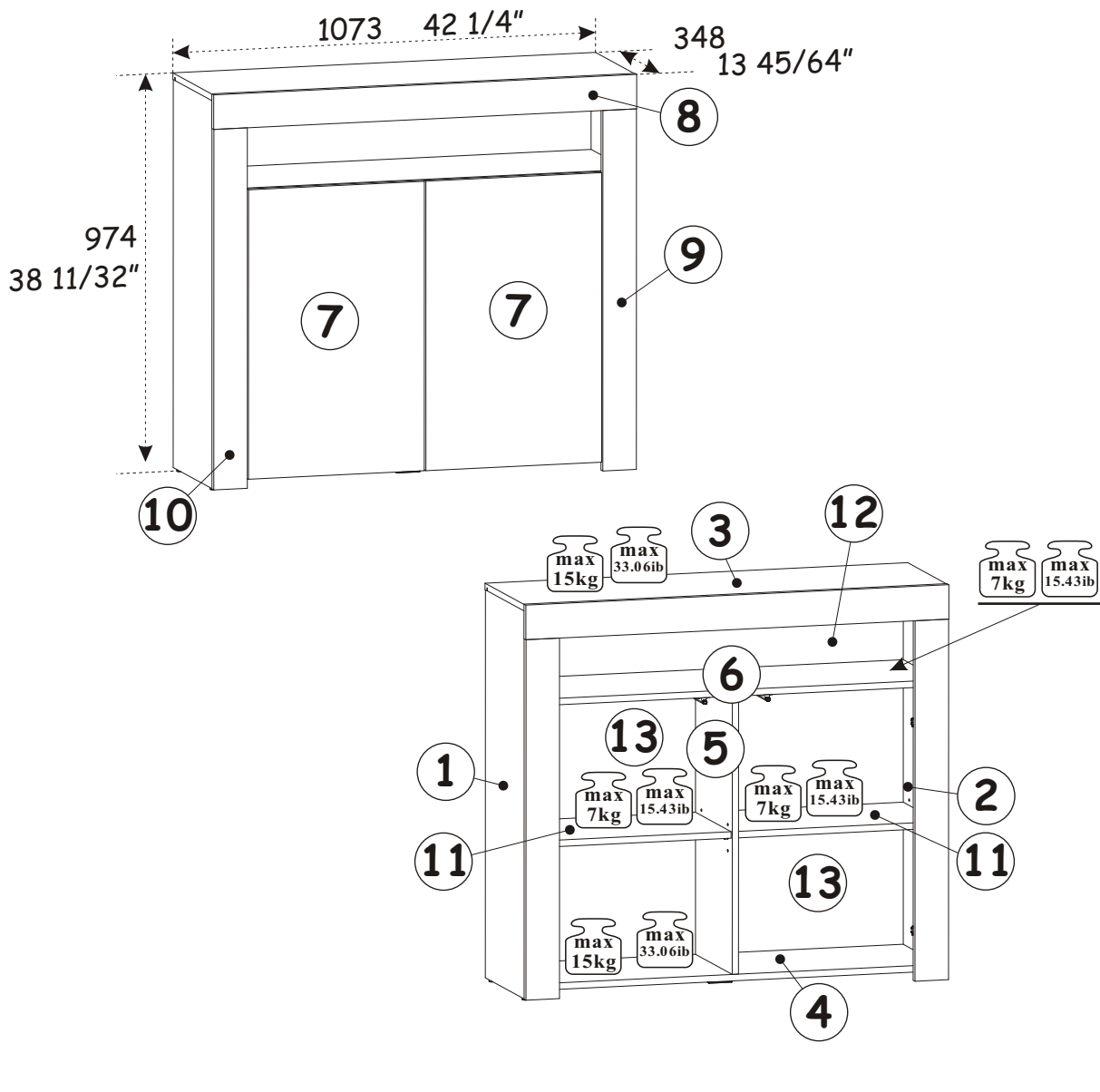
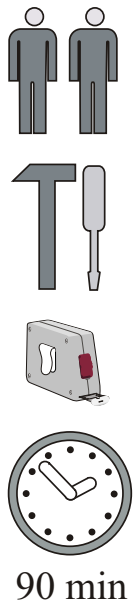


MILANO CARB SIDEBOARD 2D

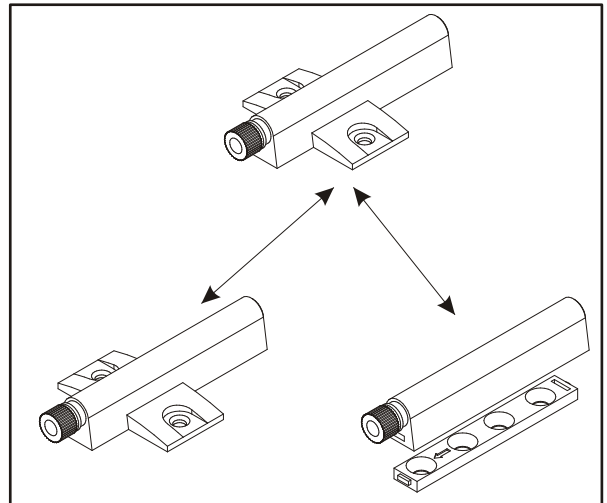
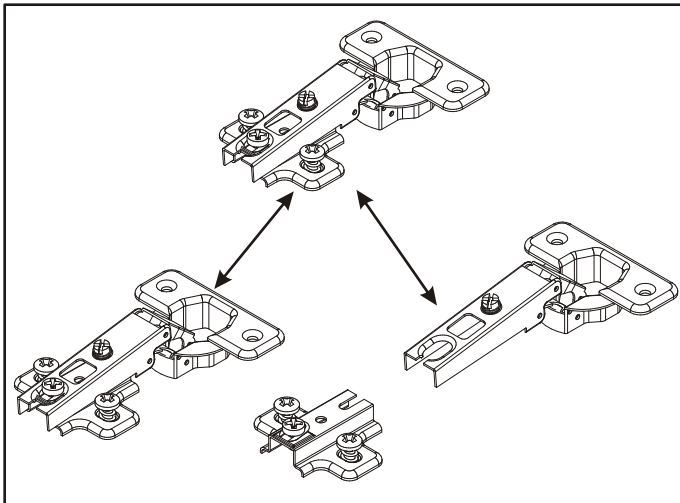
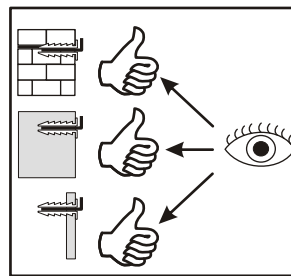
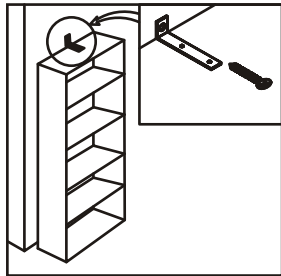
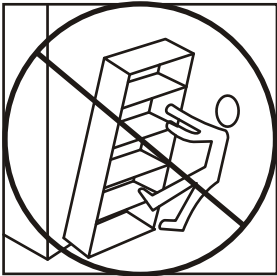
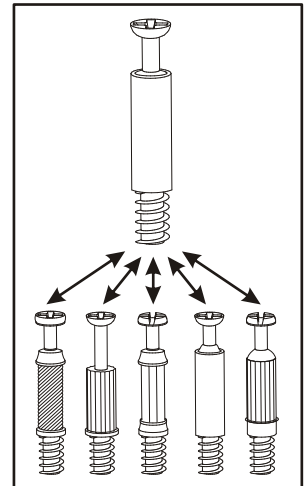
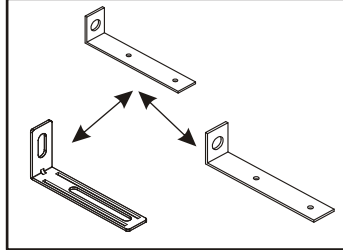
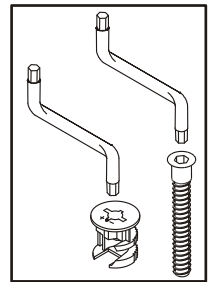
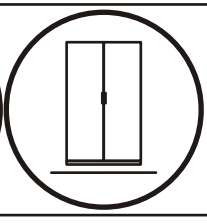
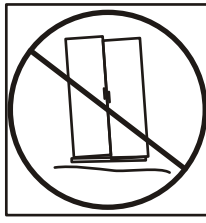
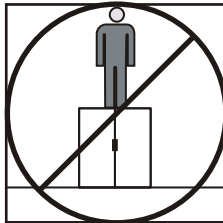
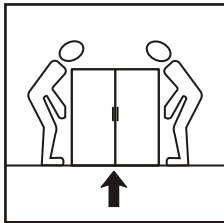
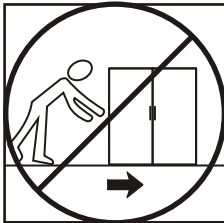
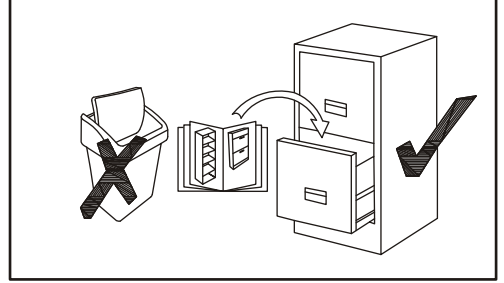
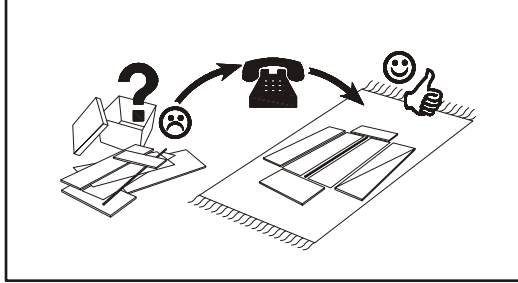
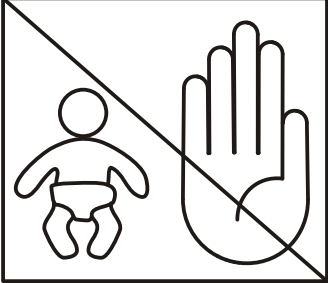
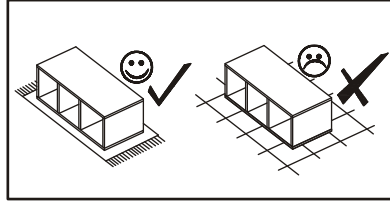
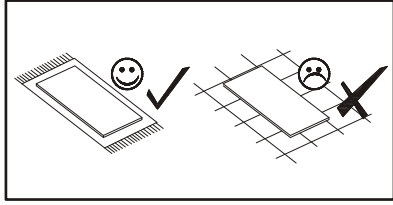


NO	Dim			Col.-No	Qty
1	956	332	16	1	1
2	956	332	16	1	1
3	1072	332	16	1	1
4	1038	312	16	1	1
5	685	312	16	1	1
6	1038	312	16	1	1
7	713	446	16	2	2
8	1073	85	18	1	1
9	888	85	18	1	1
10	888	85	18	1	1
11	511	302	16	2	2
12	1050	233	3	1	1
13	706	525	3	2	2

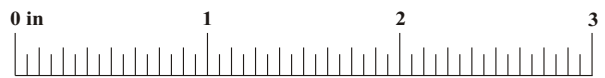
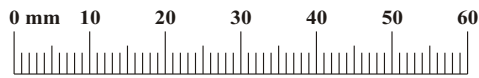
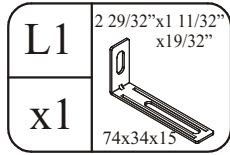
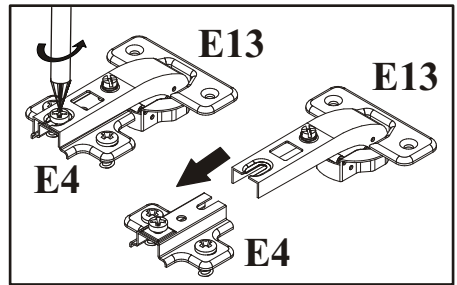
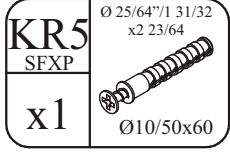
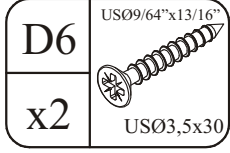
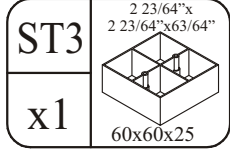
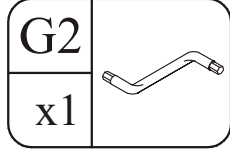
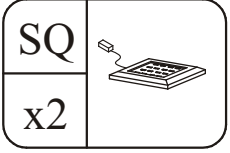
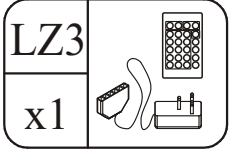
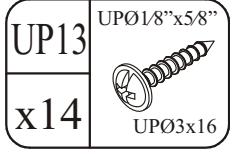
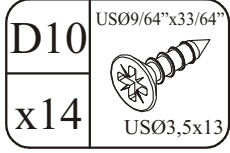
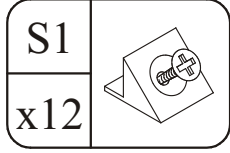
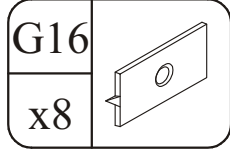
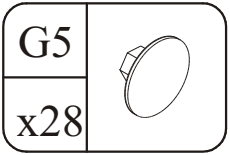
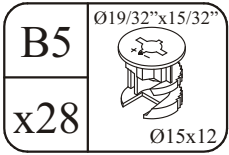
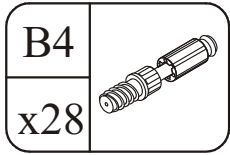
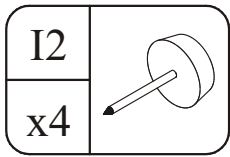
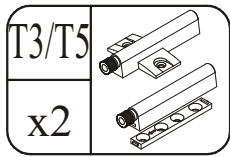
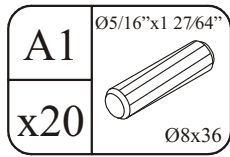
NO	Inch			Col.-No	Qty
1	37 41/64	13 5/64	5/8	1	1
2	37 41/64	13 5/64	5/8	1	1
3	42 13/64	13 5/64	5/8	1	1
4	40 55/64	12 9/32	5/8	1	1
5	26 31/32	12 9/32	5/8	1	1
6	40 55/64	12 9/32	5/8	1	1
7	28 5/64	17 9/16	5/8	2	2
8	42 1/4	3 11/32	45/64	1	1
9	34 61/64	3 11/32	45/64	1	1
10	34 61/64	3 11/32	45/64	1	1
11	20 1/8	11 57/64	5/8	2	2
12	41 11/32	9 11/64	1/8	1	1
13	27 51/64	20 43/64	1/8	2	2



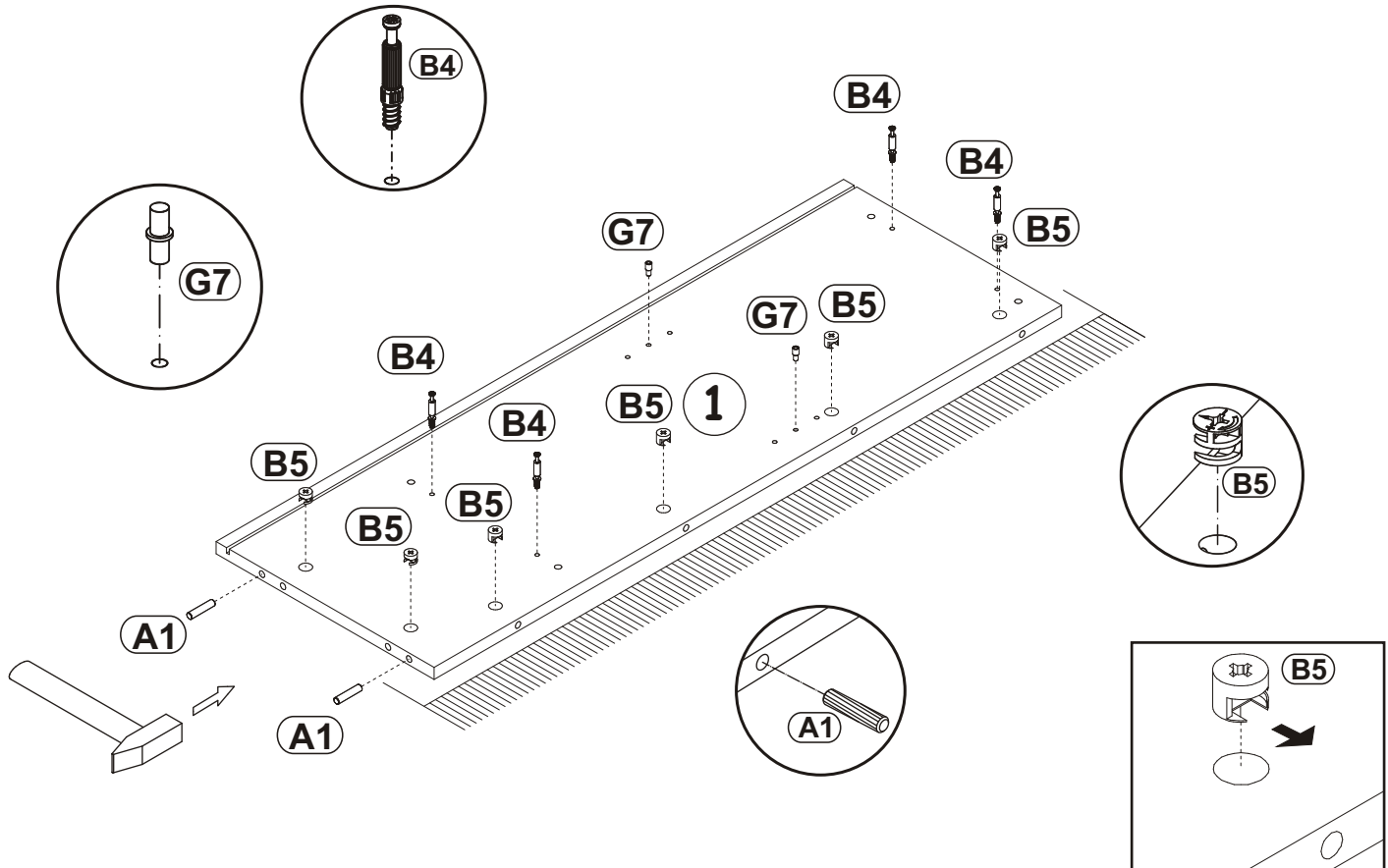
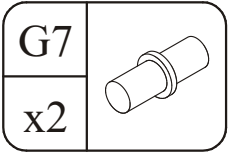
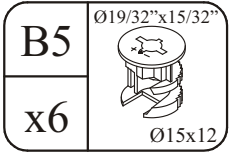
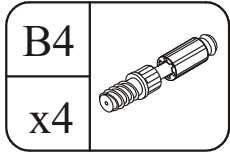
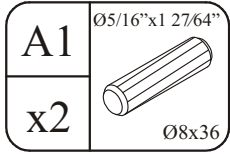
MILANO CARB SIDEBOARD 2D



MILANO CARB SIDEBORD 2D



1

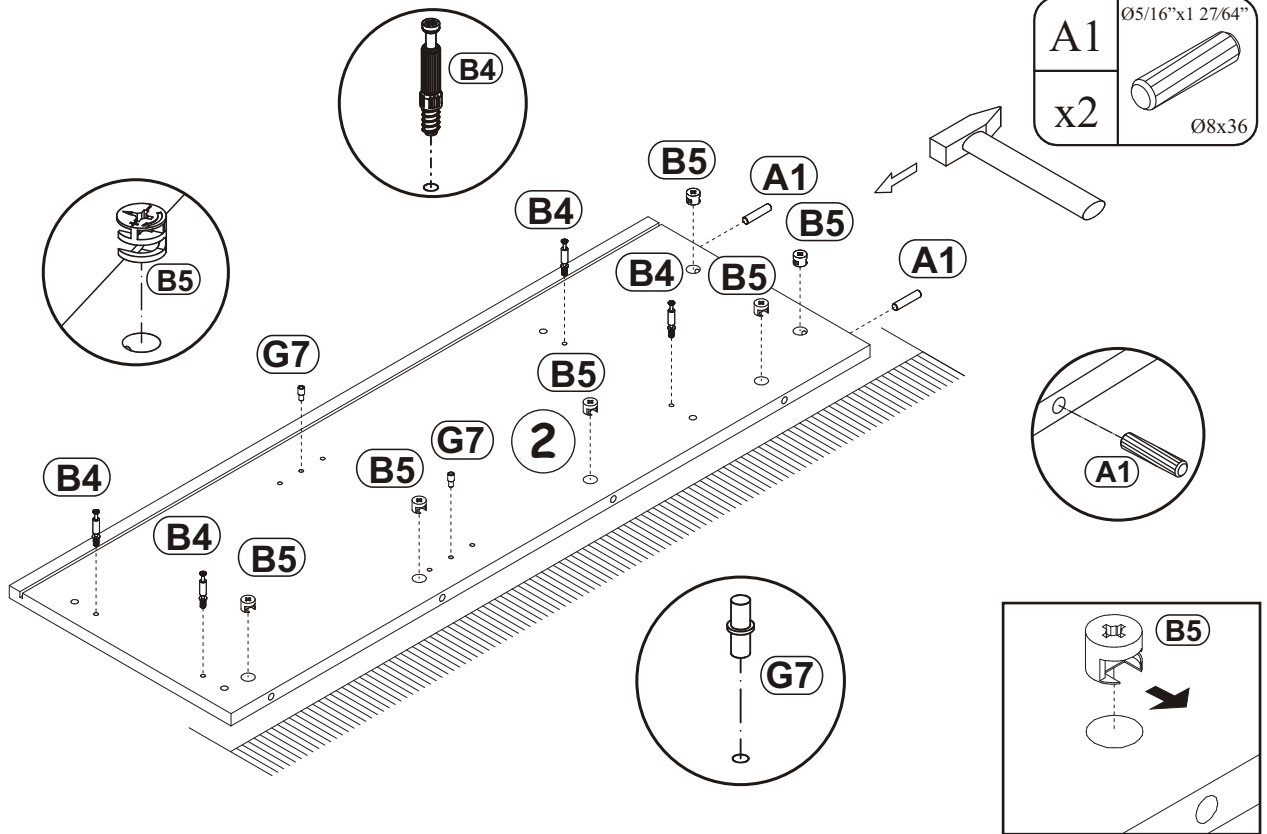


MILANO CARB SIDEBOARD 2D

2

B4		B5	$\text{Ø}19/32'' \times 15/32''$ 	G7	
x4		x6	$\text{Ø}15 \times 12$	x2	

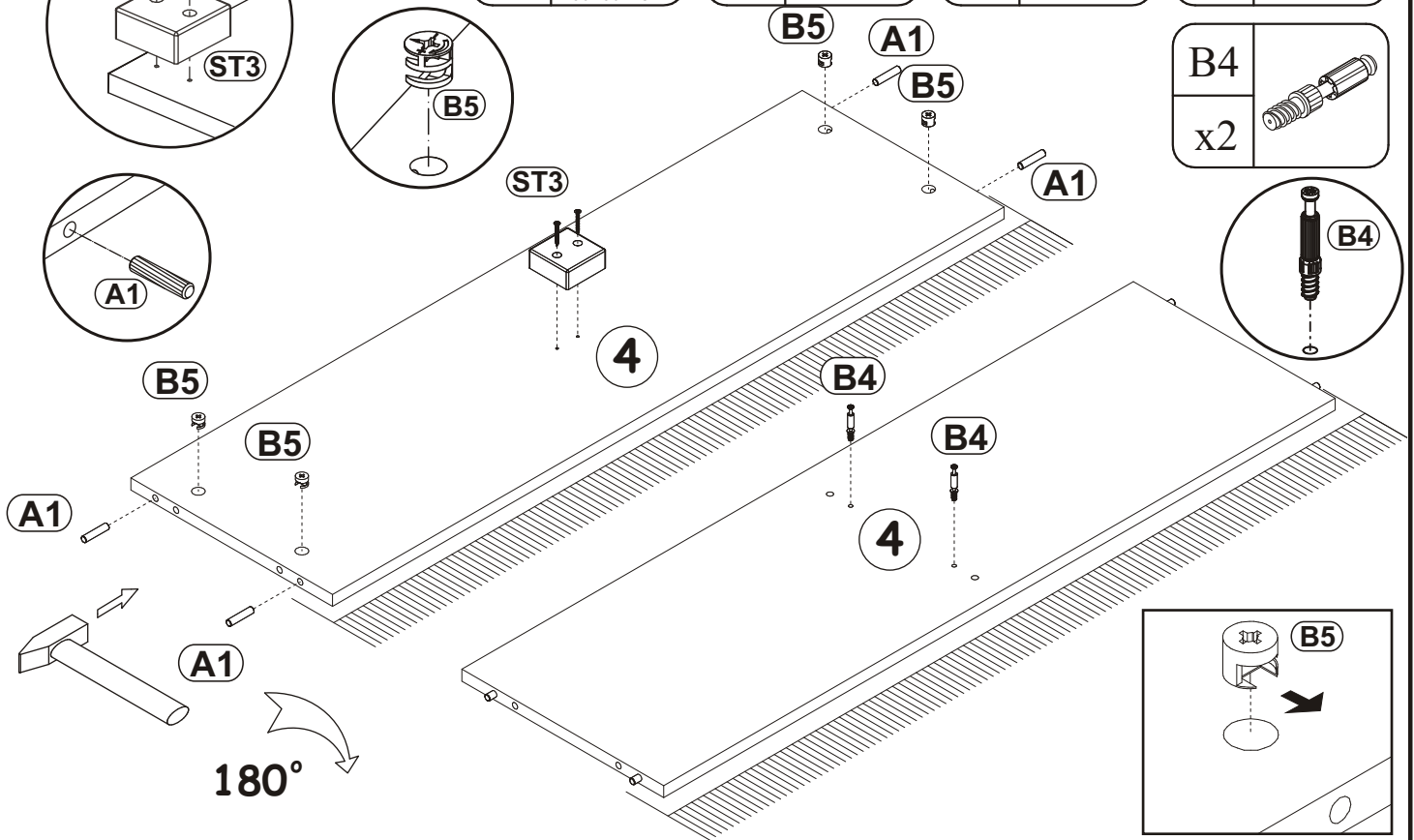
A1	$\text{Ø}5/16'' \times 1 27/64''$
x2	$\text{Ø}8 \times 36$



3

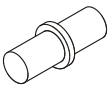

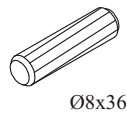
ST3	$2 23/64'' \times 2 23/64'' \times 63/64''$ $60 \times 60 \times 25$ 	D6	$\text{US}09/64'' \times 13/16''$ $\text{US} \text{Ø}3,5 \times 30$ 	A1	$\text{Ø}5/16'' \times 1 27/64''$ $\text{Ø}8 \times 36$ 	B5	$\text{Ø}19/32'' \times 15/32''$
x1		x2		x4		x4	$\text{Ø}15 \times 12$

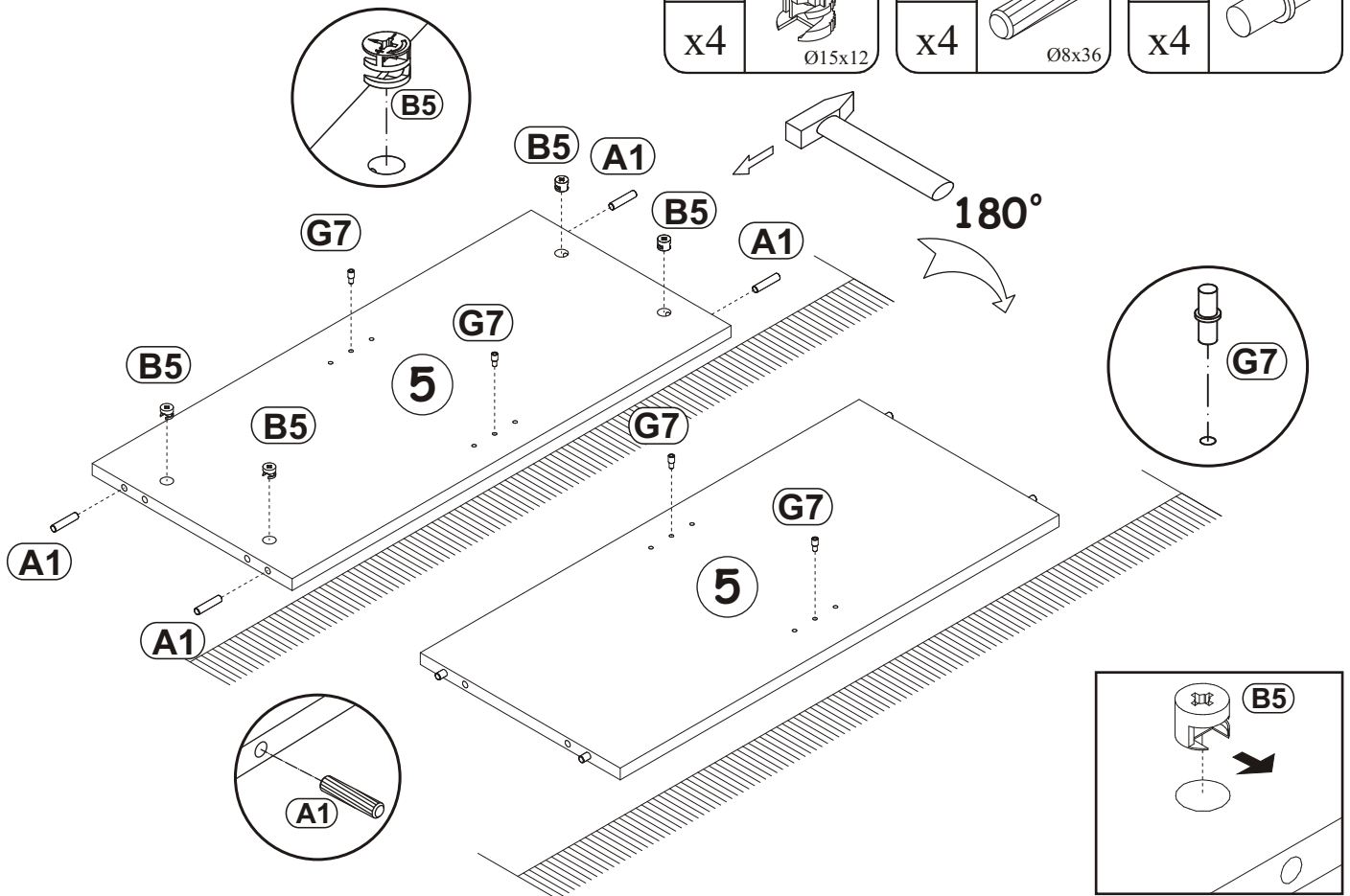
B4	
x2	



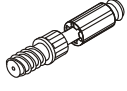
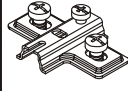
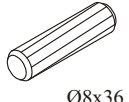
MILANO CARB SIDEBORD 2D

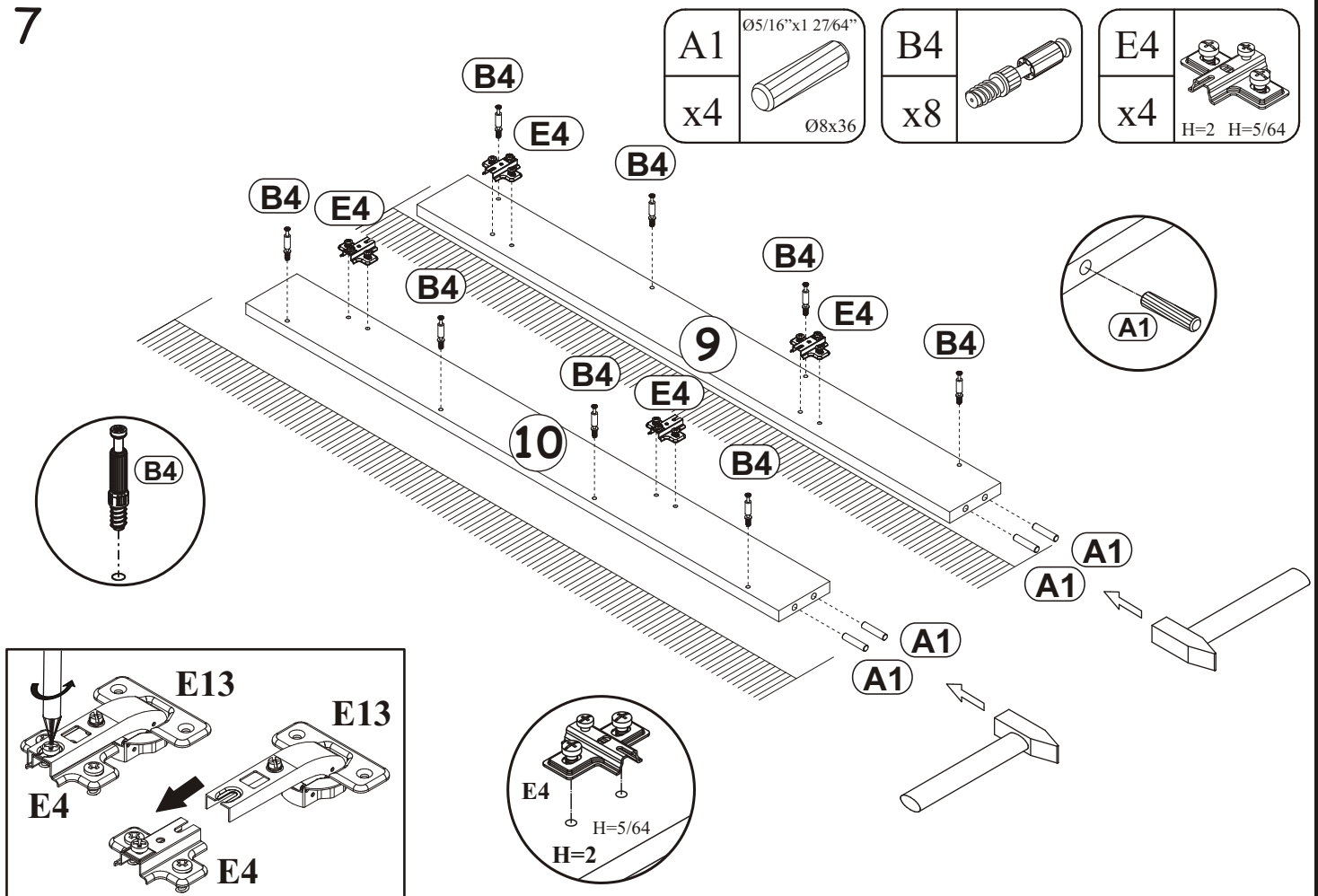
6

B5	Ø19/32"x15/32"	A1	Ø5/16"x1 27/64"	G7	
x4		x4		x4	
	Ø15x12		Ø8x36		



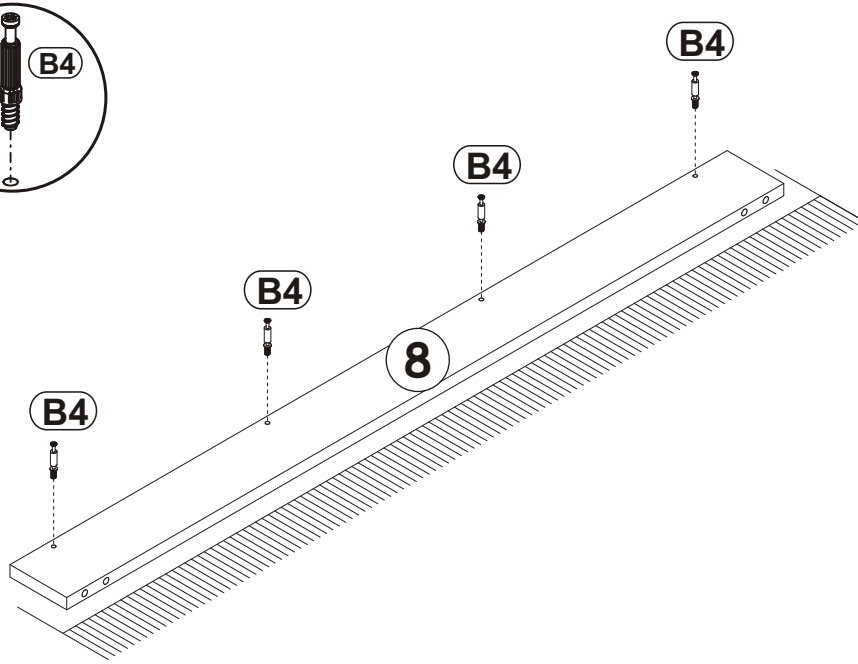
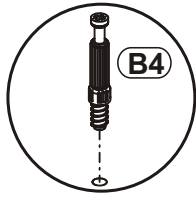
7

A1	Ø5/16"x1 27/64"	B4		E4	
x4		x8		x4	H=2 H=5/64
	Ø8x36				



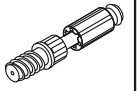
MILANO CARB SIDEBOARD 2D

8

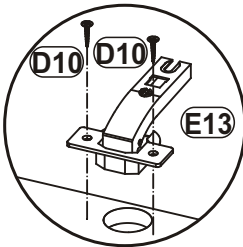


B4

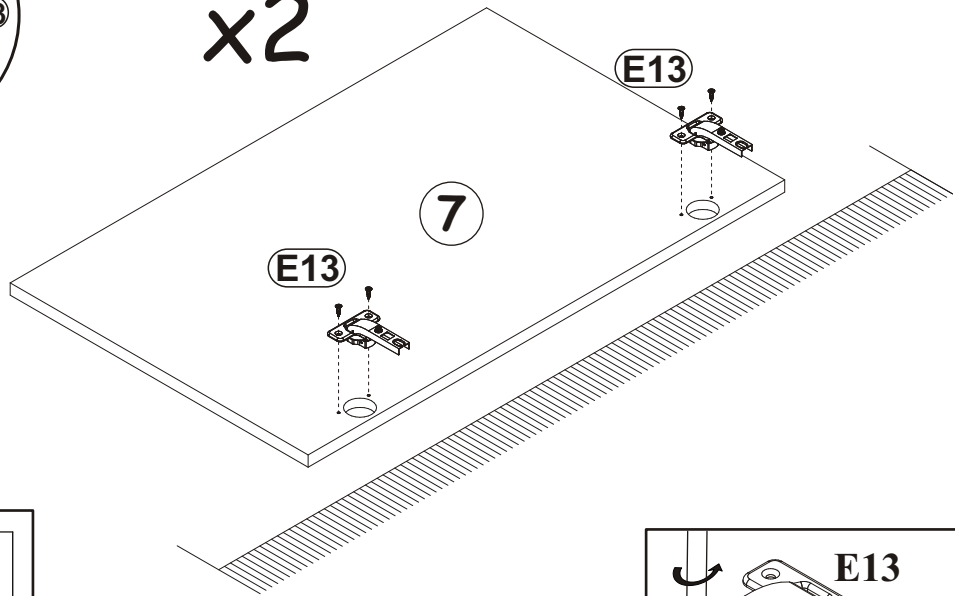
x4



9



x2



D10

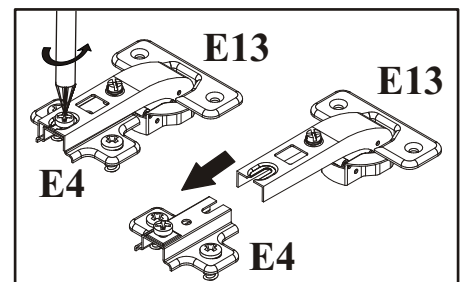
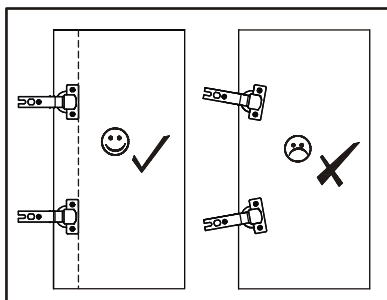
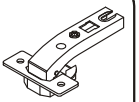
USØ9/64"x33/64"

x8

USØ3,5x13

E13

x4



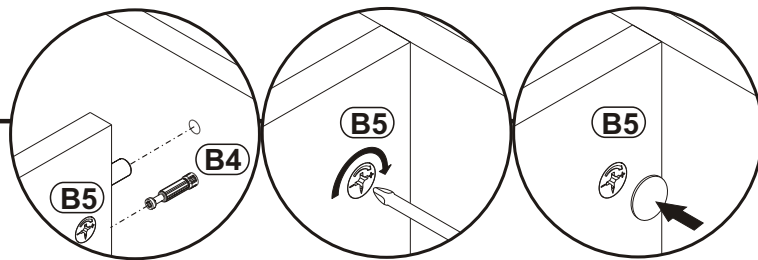
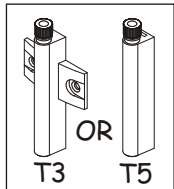
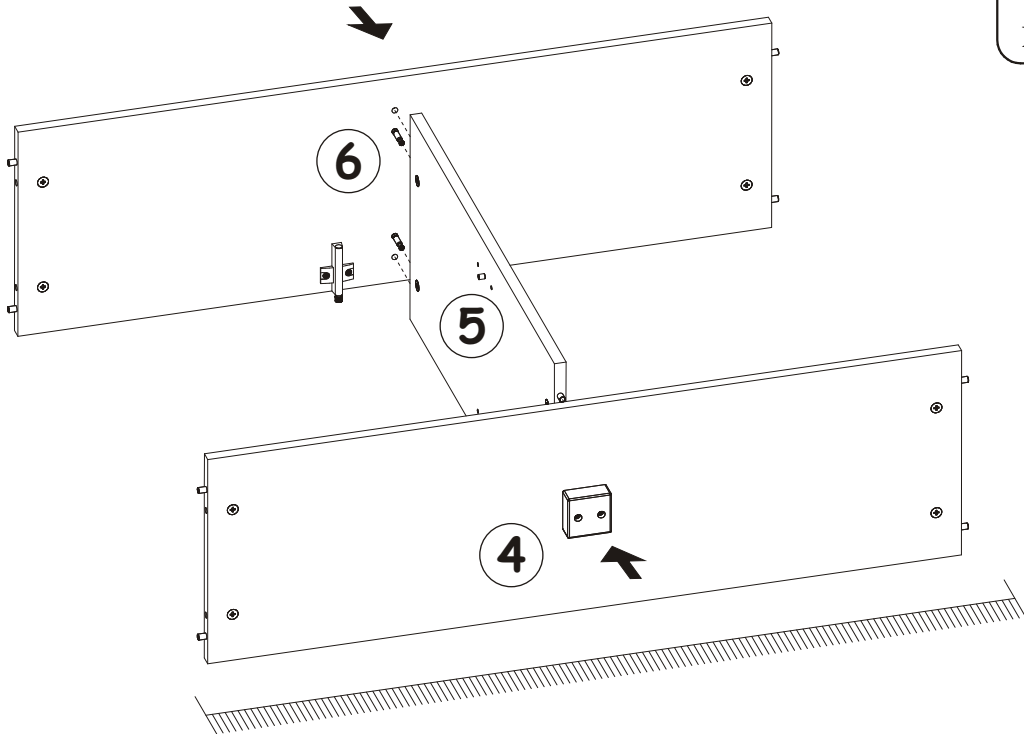
MILANO CARB SIDEBOARD 2D

G5

x4



10

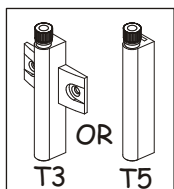
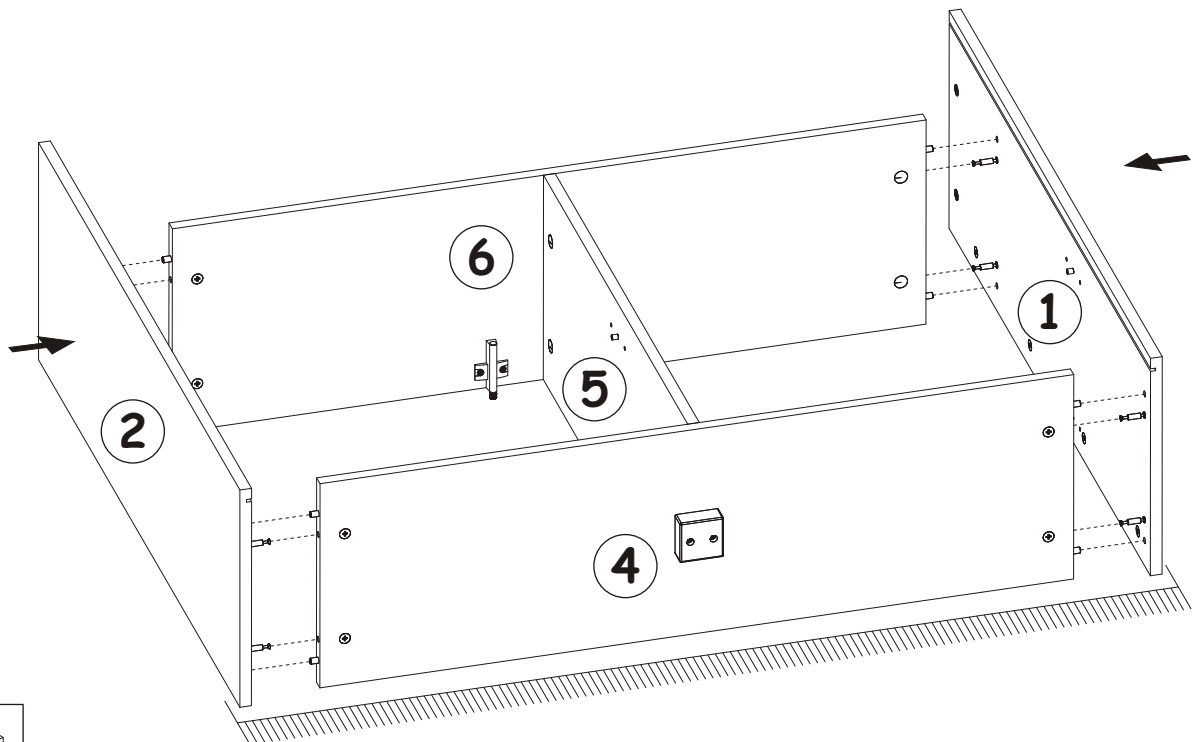


G5

x8



11

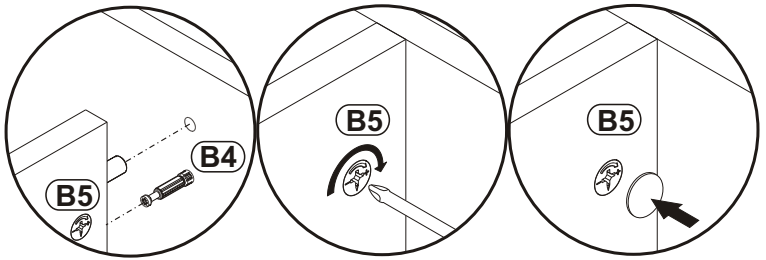
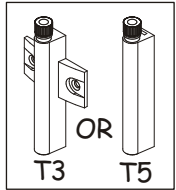
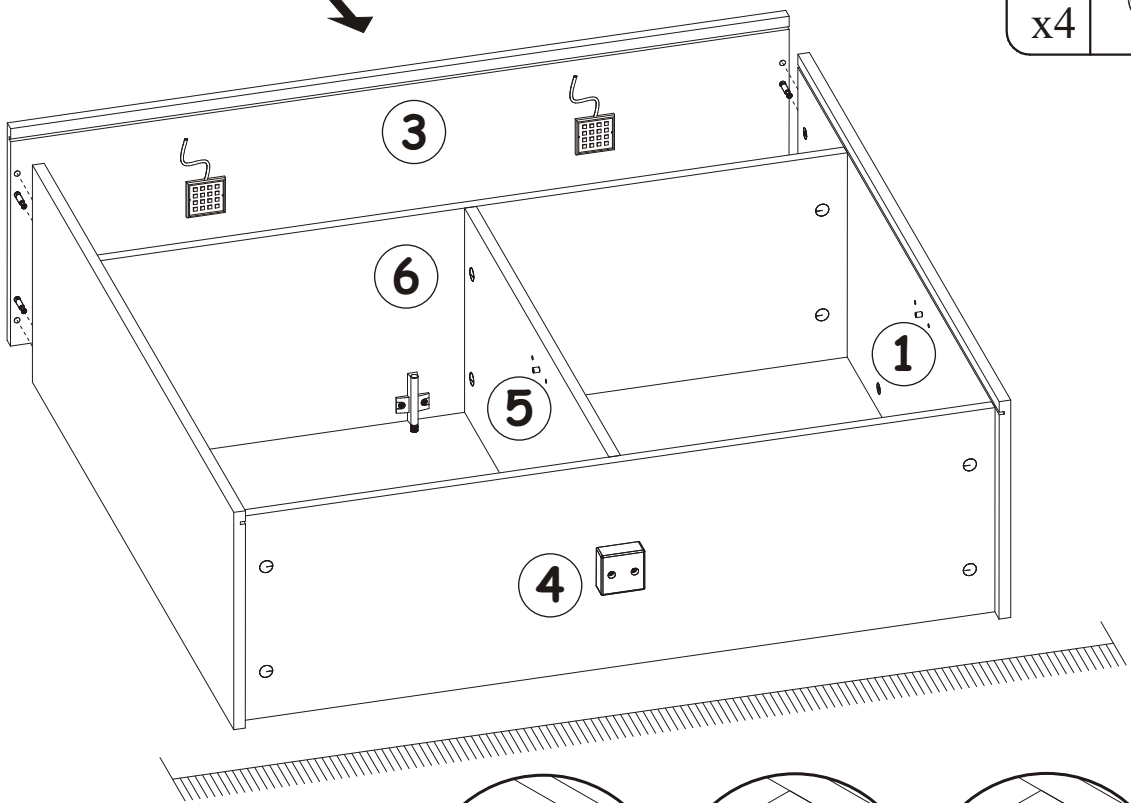


G5

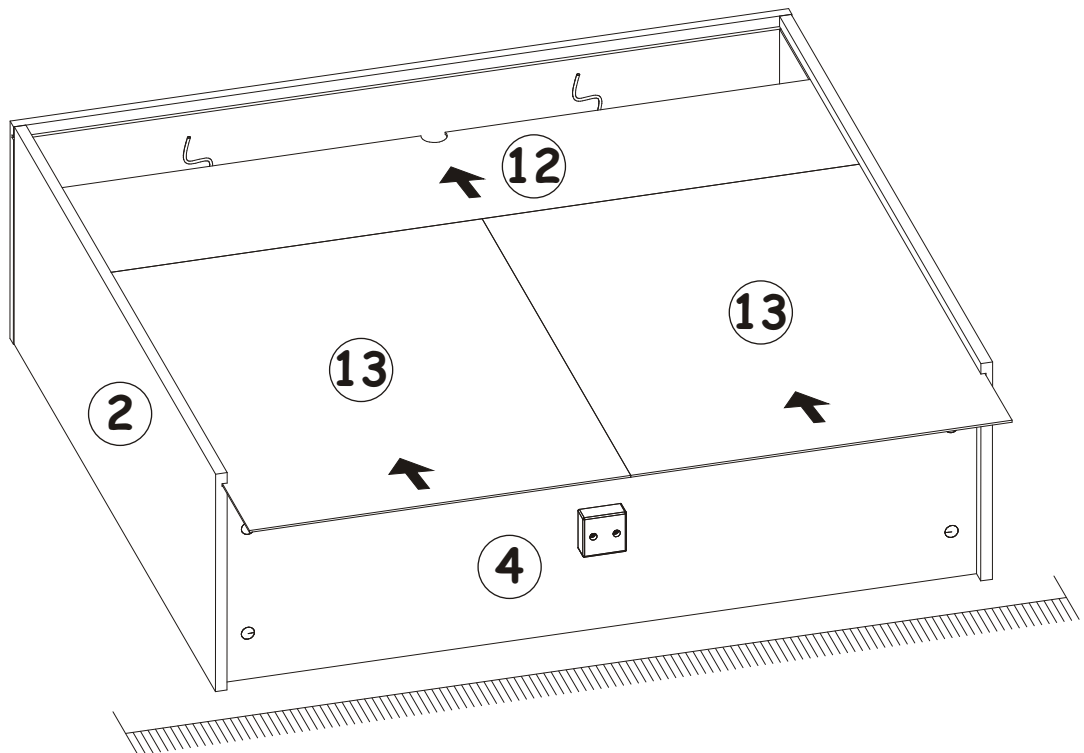
x4




12




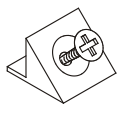
13

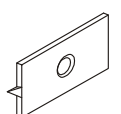


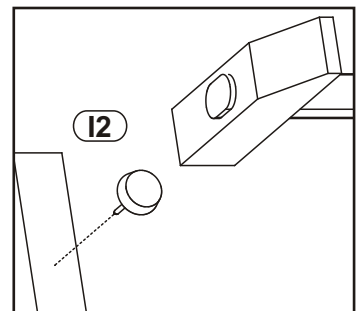
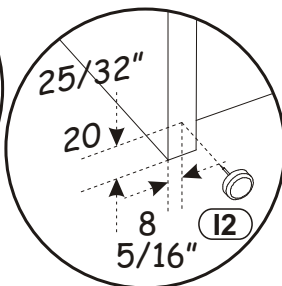
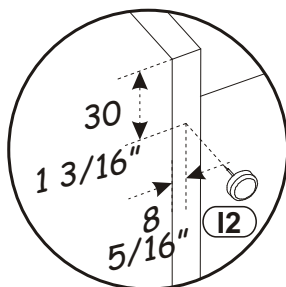
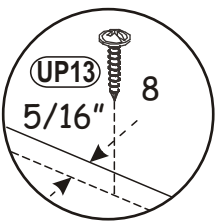
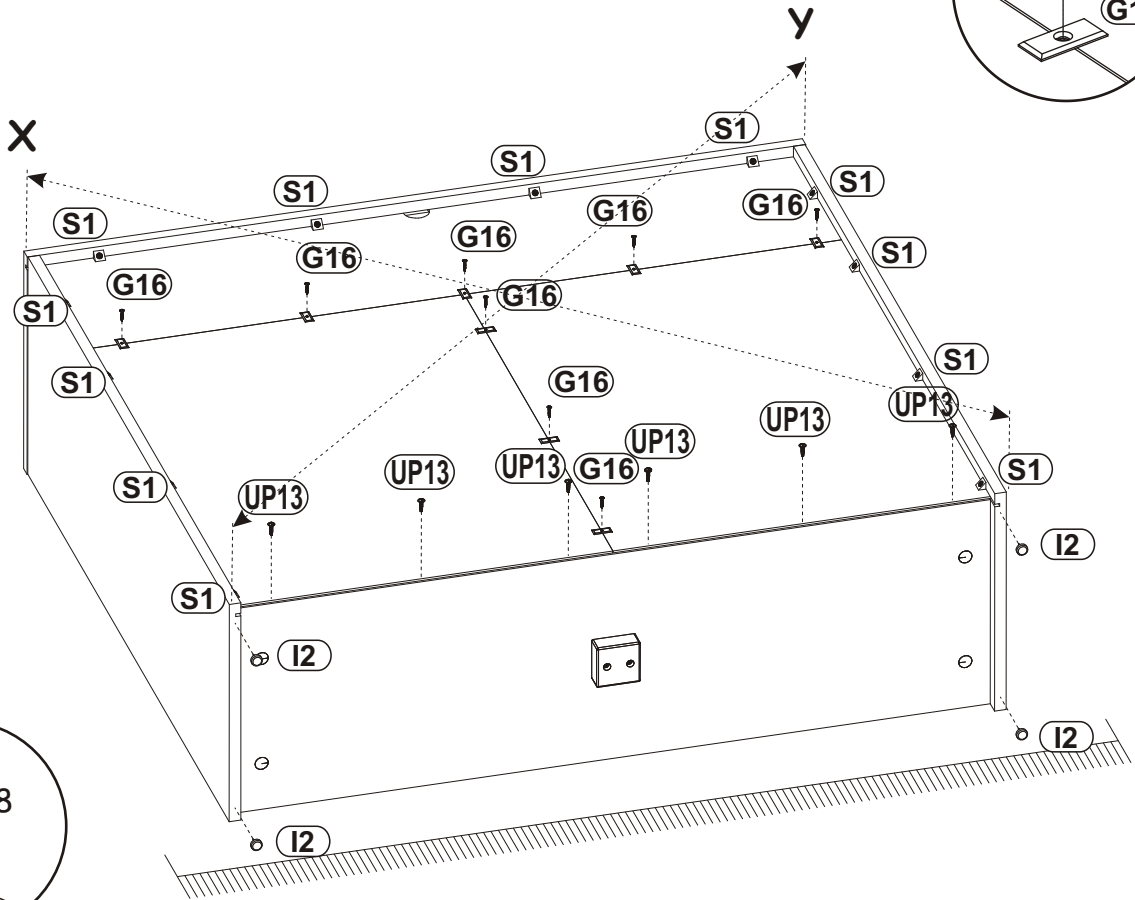
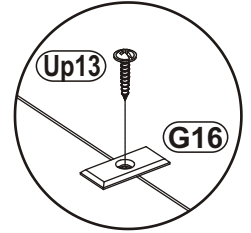
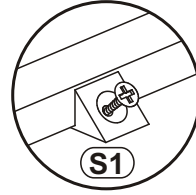
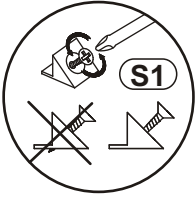
14

UP13	UPØ1/8"x5/8"
x14	 UPØ3x16

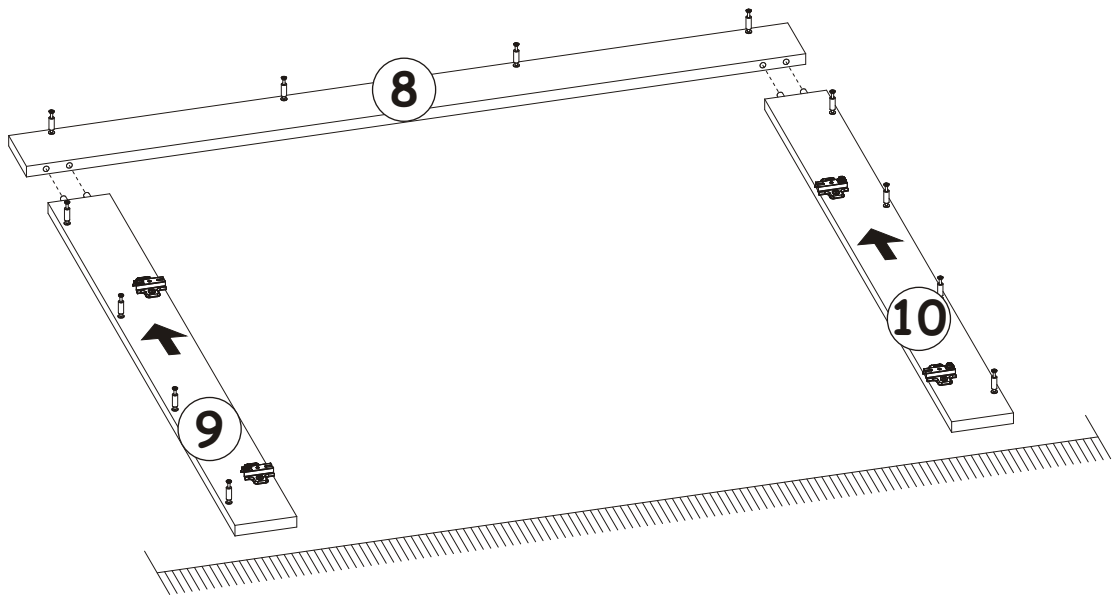
I2	
x4	

S1	
x12	

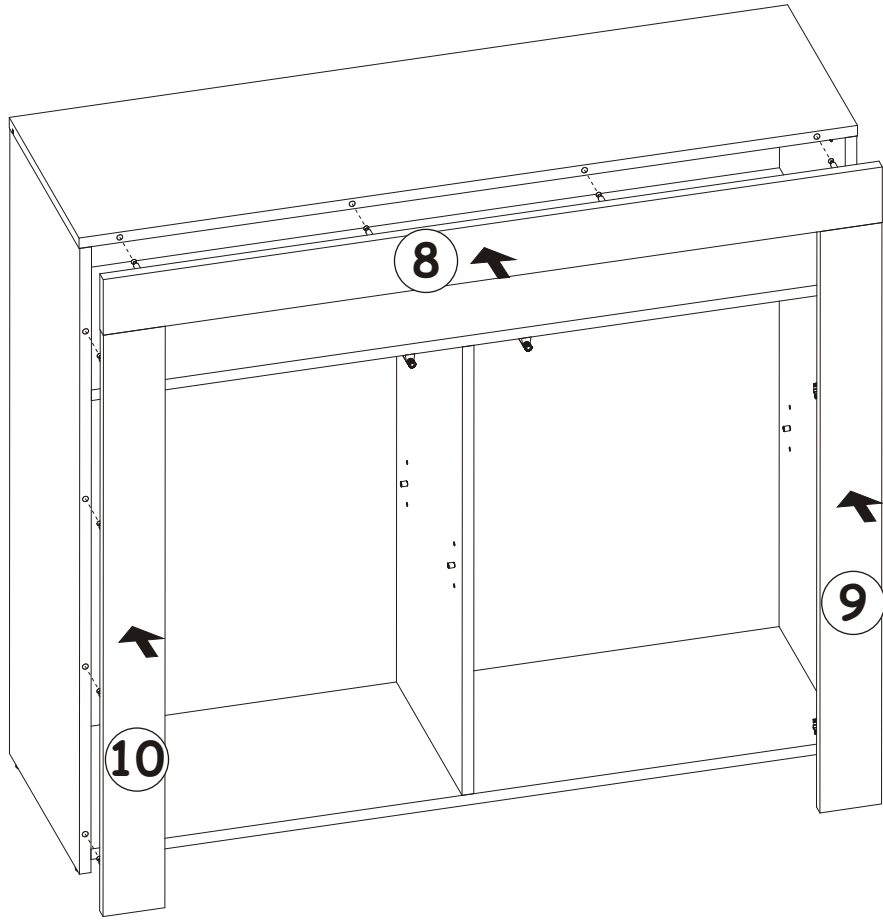
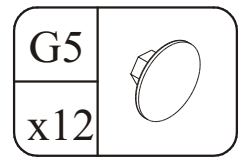
G16	
x8	



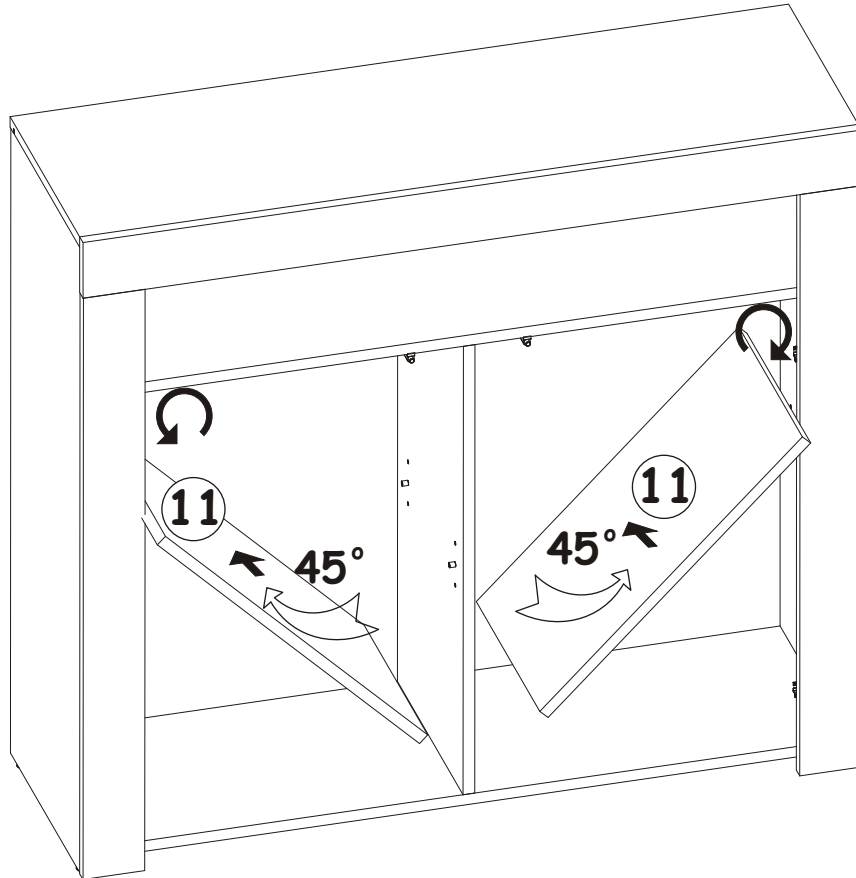
15



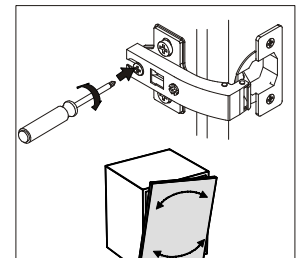
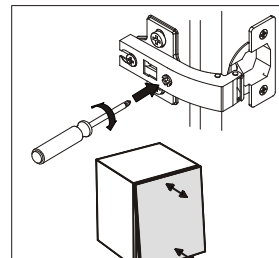
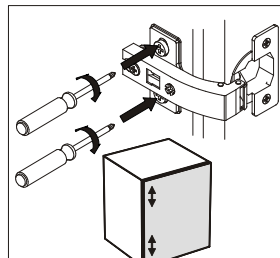
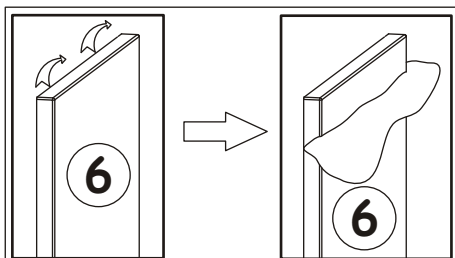
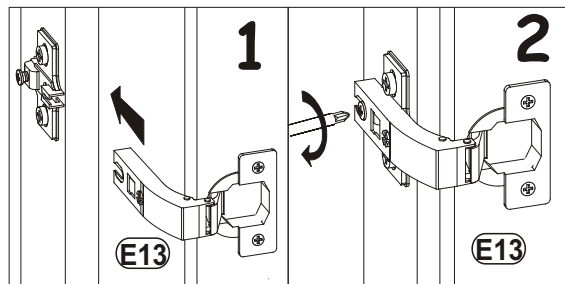
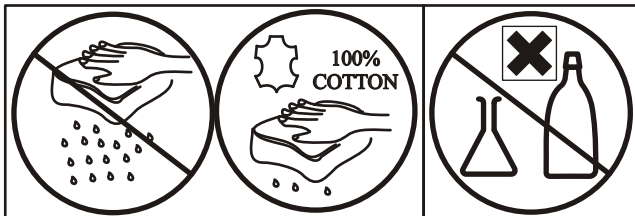
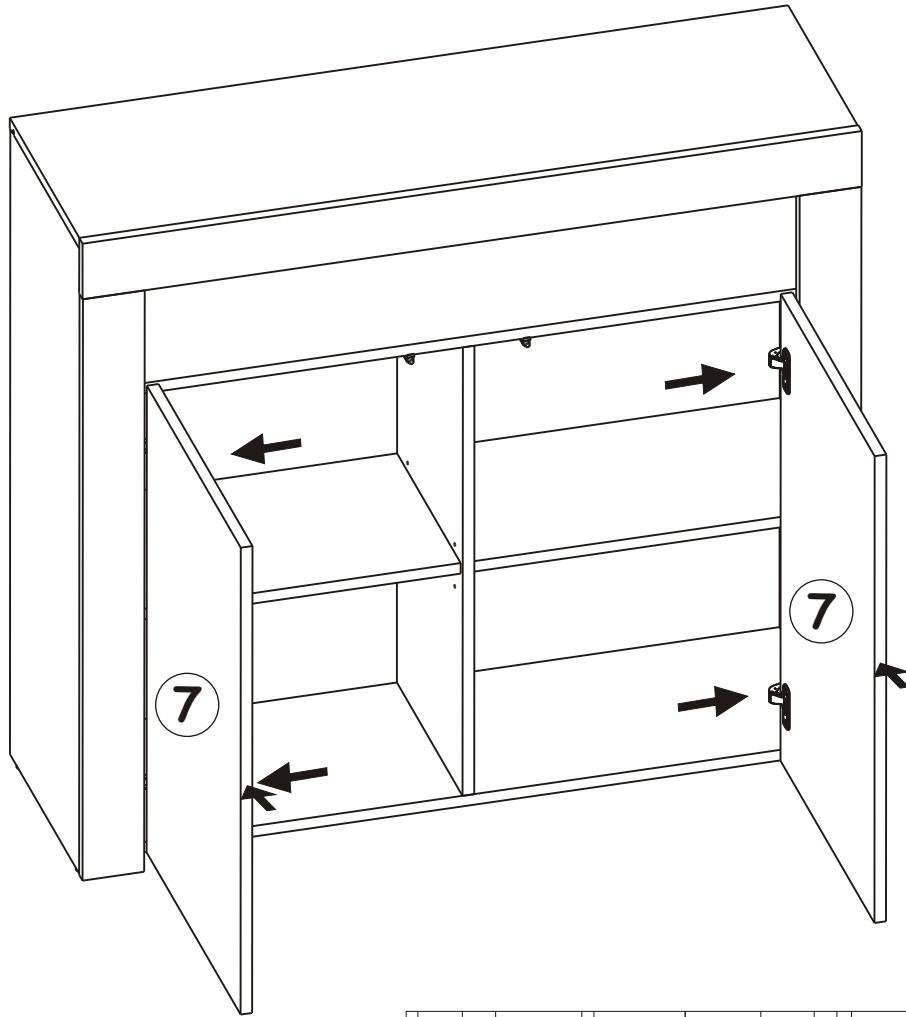
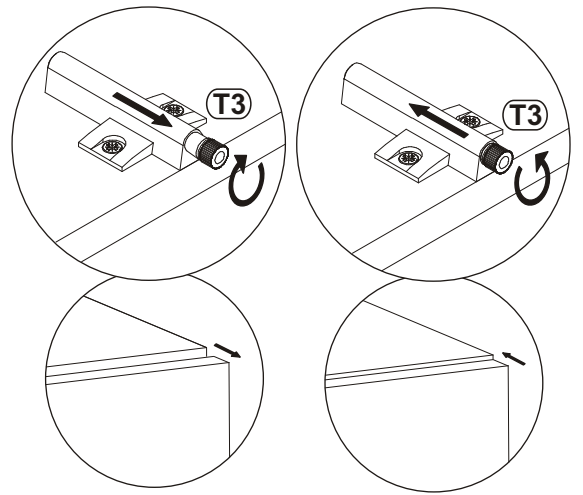
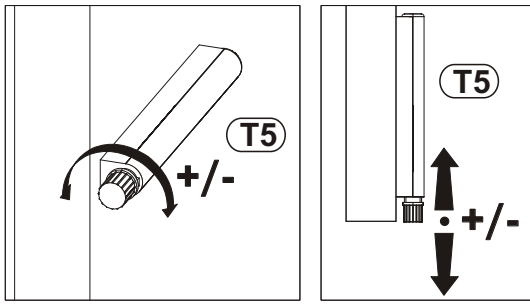
16



17



18



19

