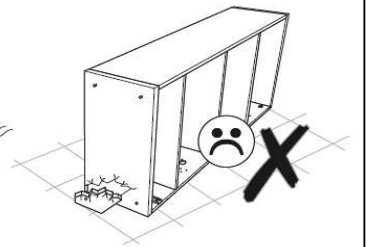
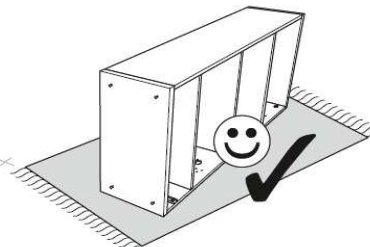
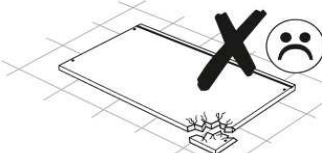
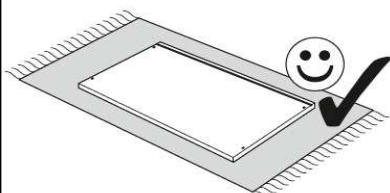
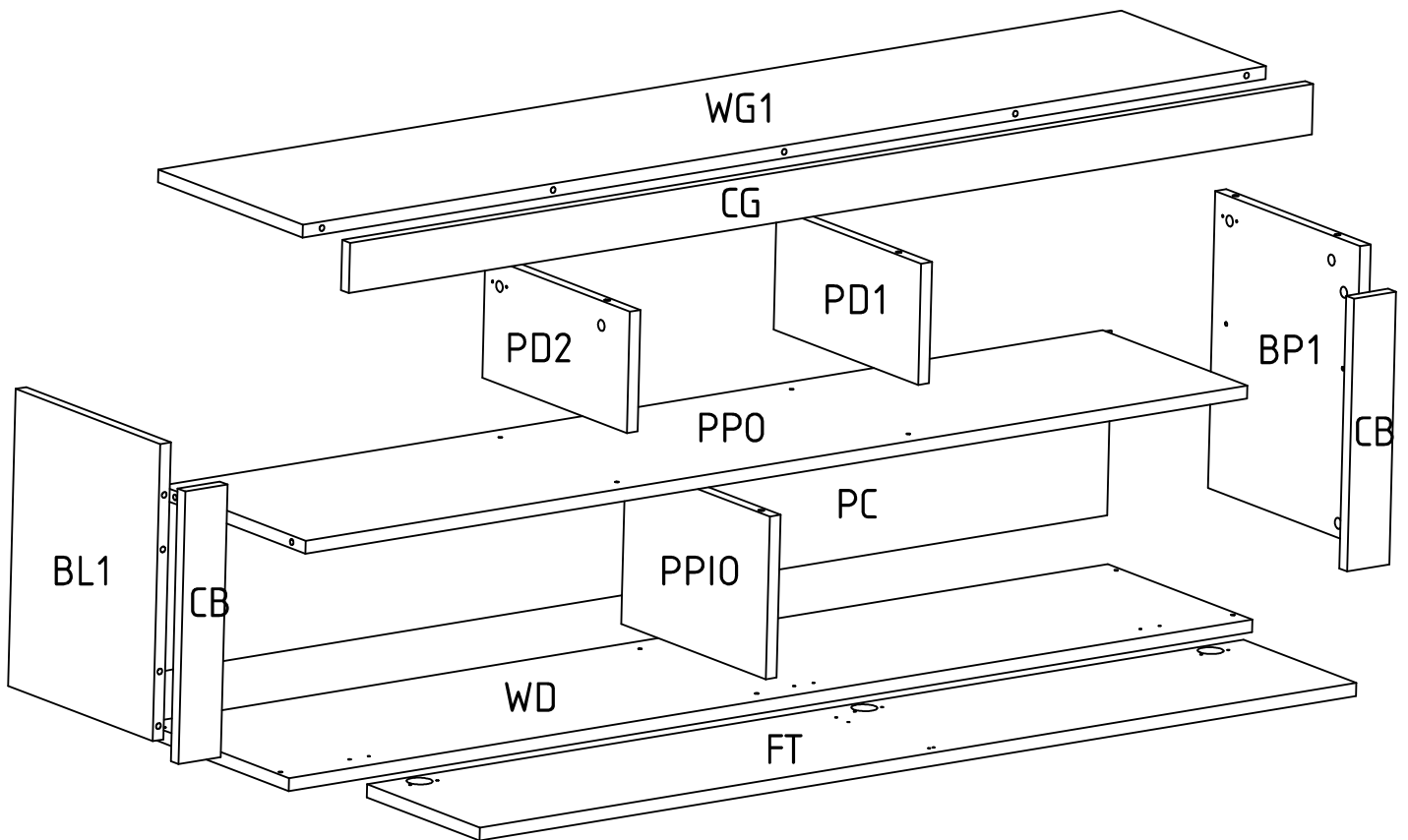
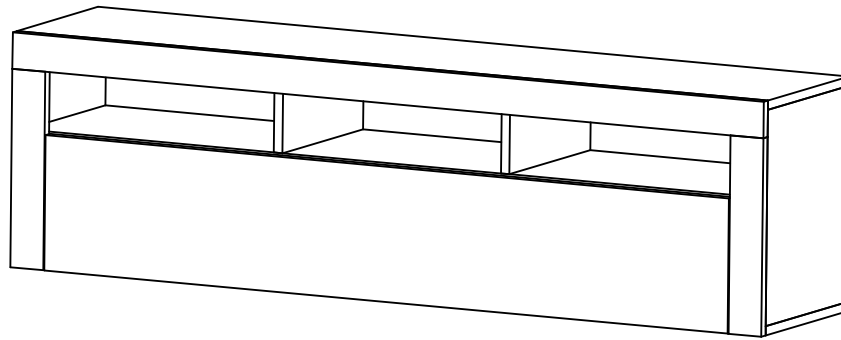
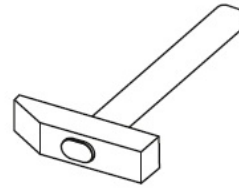
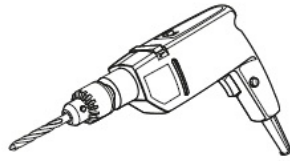
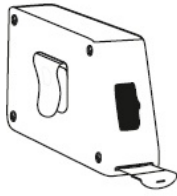


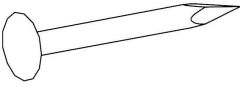
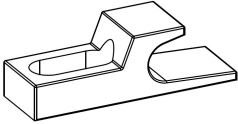
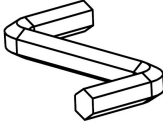


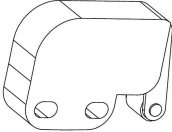
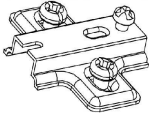
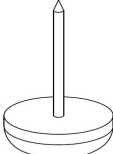
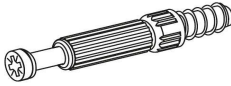
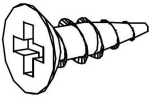


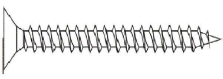


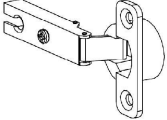
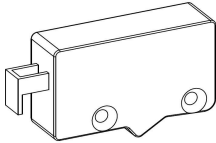

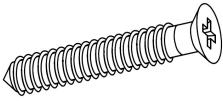
ADIS

ADIS\_17

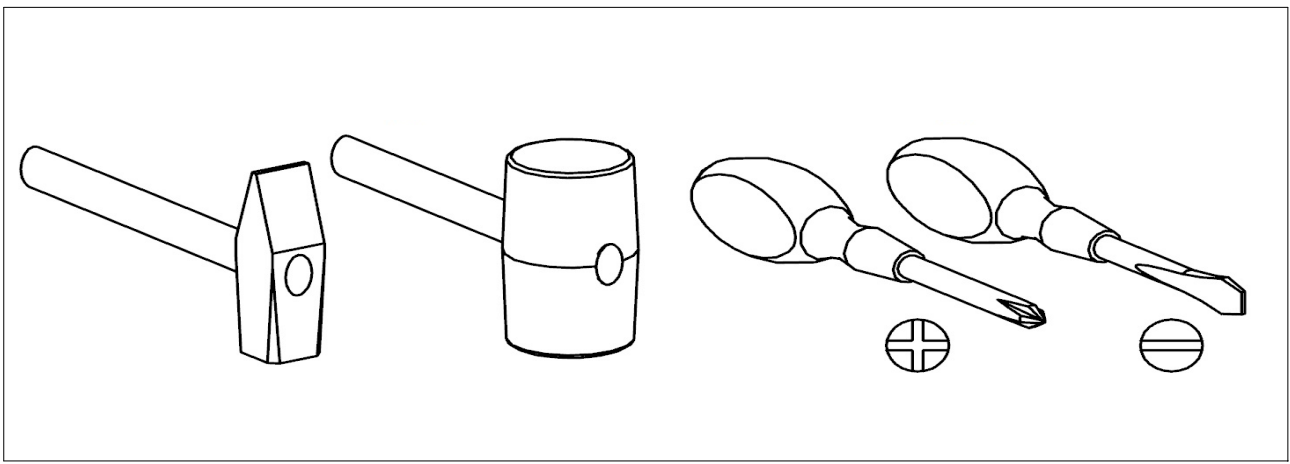
0P-39



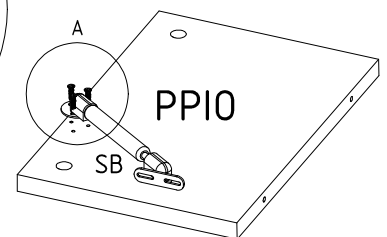
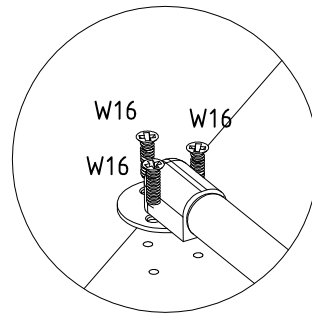
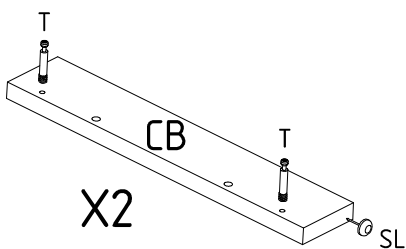
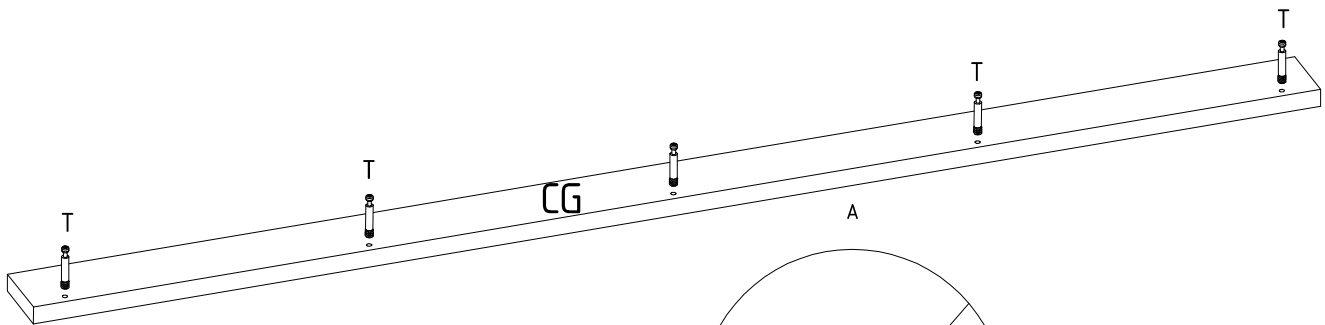
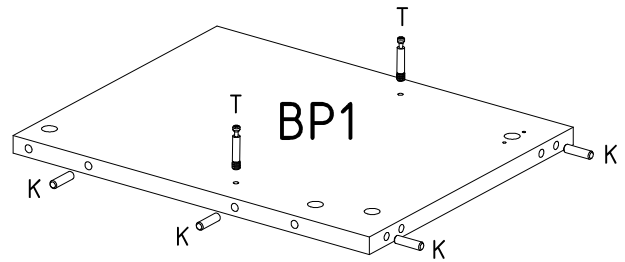
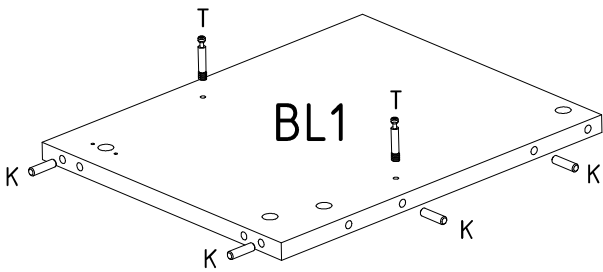
## Table accessories

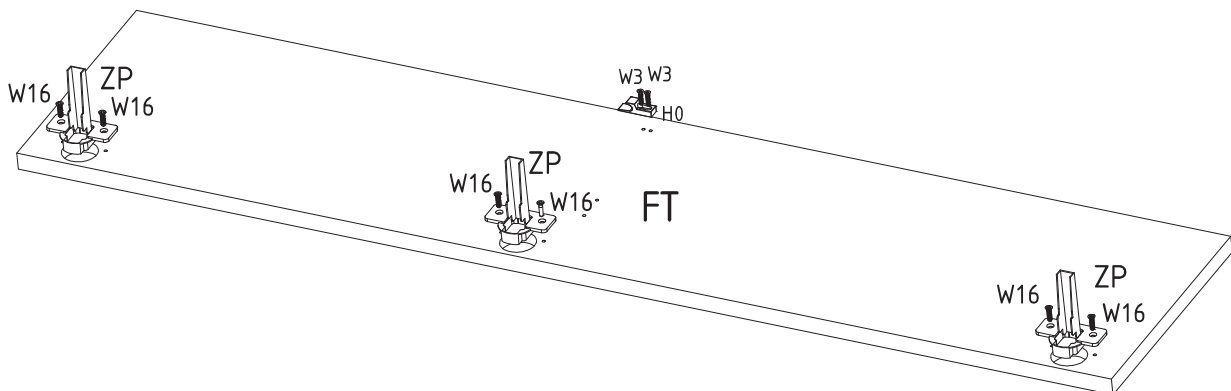
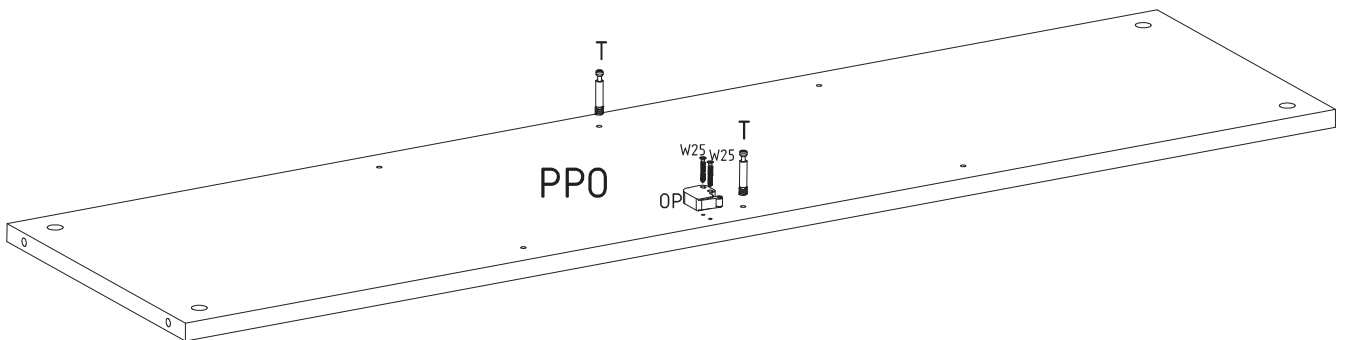
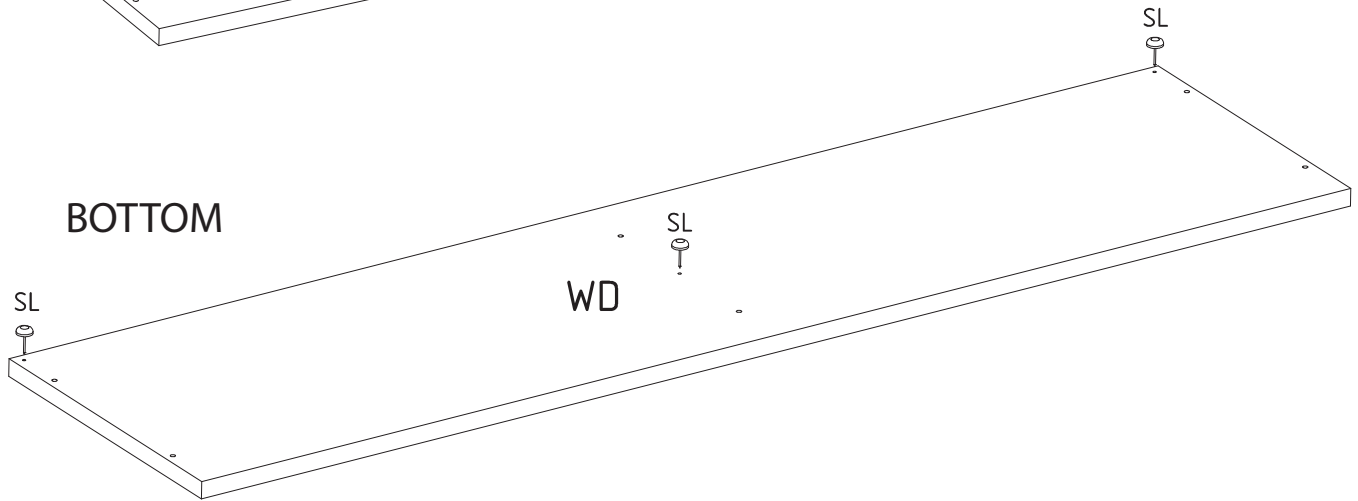
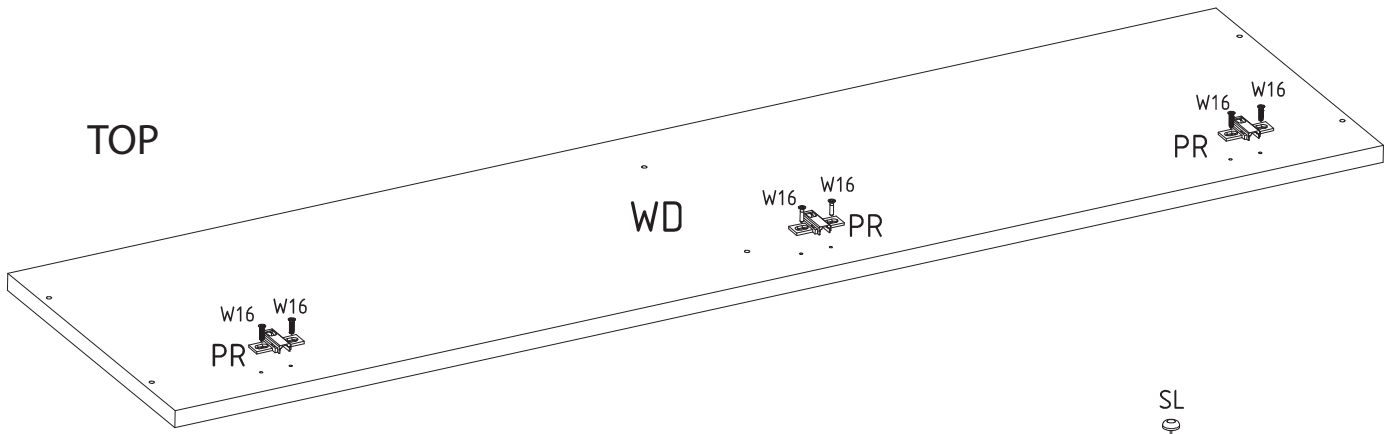
 <b>G</b>	 <b>HO</b>	 <b>A1</b>	6,3 X 50  <b>KN</b>	15 x 12  <b>M</b>
 <b>OP</b>	 <b>PR</b>	 <b>SL</b>	6 x 34 mm  <b>T</b>	4 x 16  <b>W16</b>
8 x 30  <b>K</b>	 <b>SB</b>	WKREŹ 4 x 30  <b>W30</b>	 <b>Z</b>	 <b>ZK</b>
 <b>ZP</b>	 <b>ZR</b>	WKREŹ 3 x 16mm  <b>W3</b>	WKREŹ 3 x 25mm  <b>W25</b>	

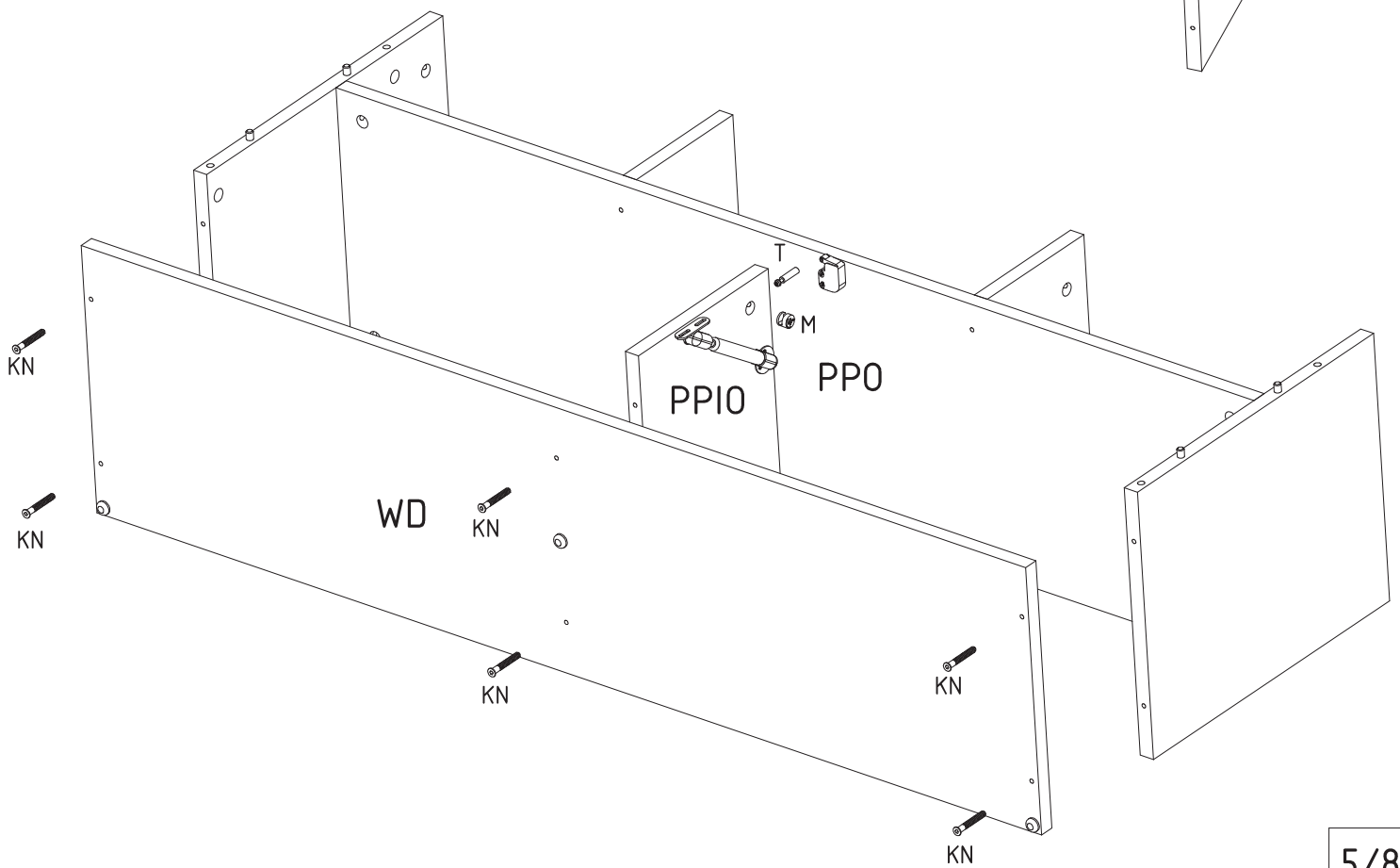
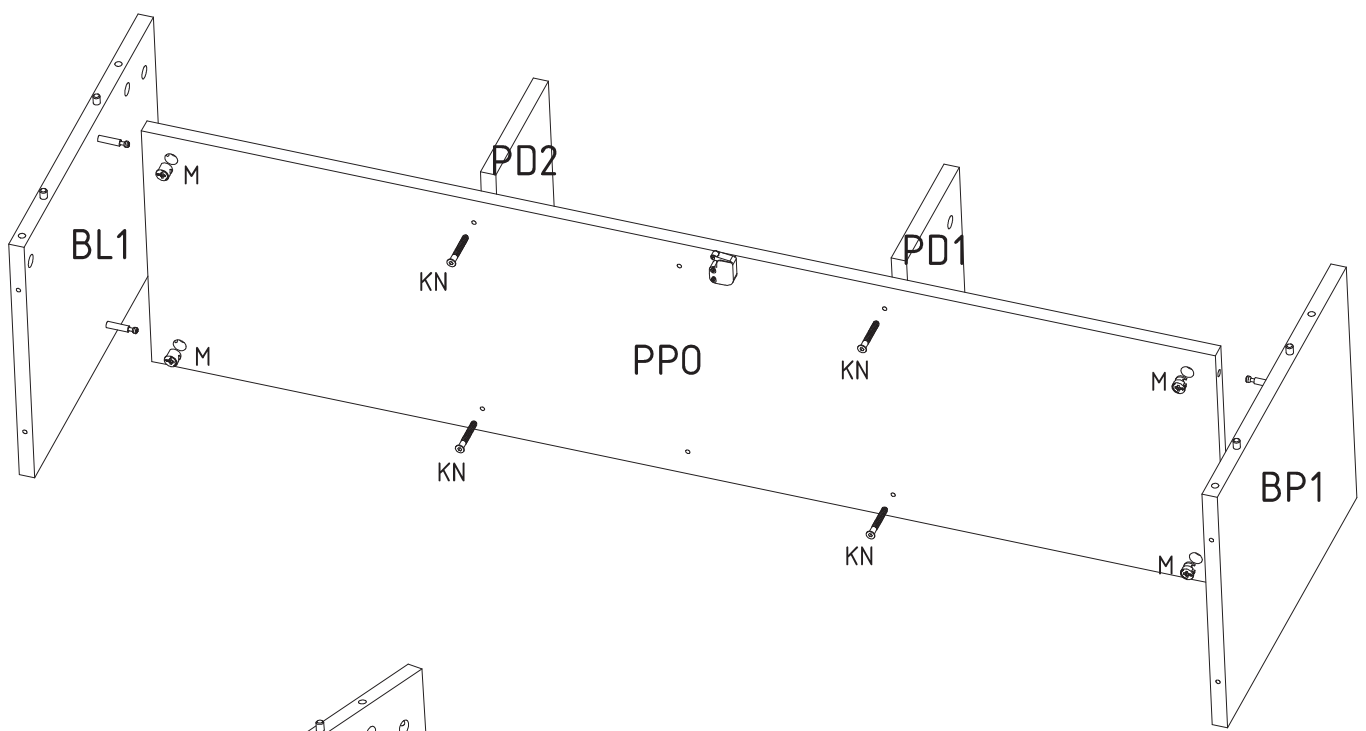
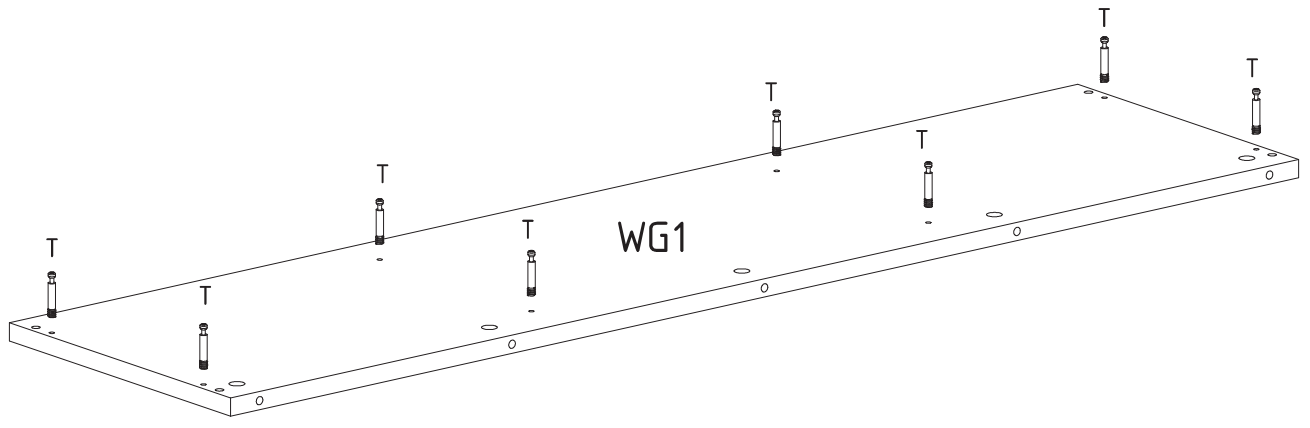
Elements				Accessories	
SYMBOL	LENGTH	WIDTH	QUANTITY	SYMBOL	QUANTITY
BL1	16,29	13,07	1	G	40
BP1	16,29	13,07	1	HO_GTV	1
CB	150	2,75	2	K	8
CG	62,99	2,75	1	KEY IMBUS A1	1
FT	57,24	10,19	1	KN	10
PC	62,71	10,11	1	M	23
PD1	13,07	6,65	1	OP_GTV	1
PD2	13,07	6,65	1	PR	3
PPI0	8,93	13,07	1	SB	1
PP0	61,53	13,07	1	SL	5
WD	62,99	13,07	1	T	23
WG1	62,99	13,07	1	W16	14
				W25	2
				W3	2
				W30	8
				Z	23
				ZK	10
				ZP	3
				ZR	4

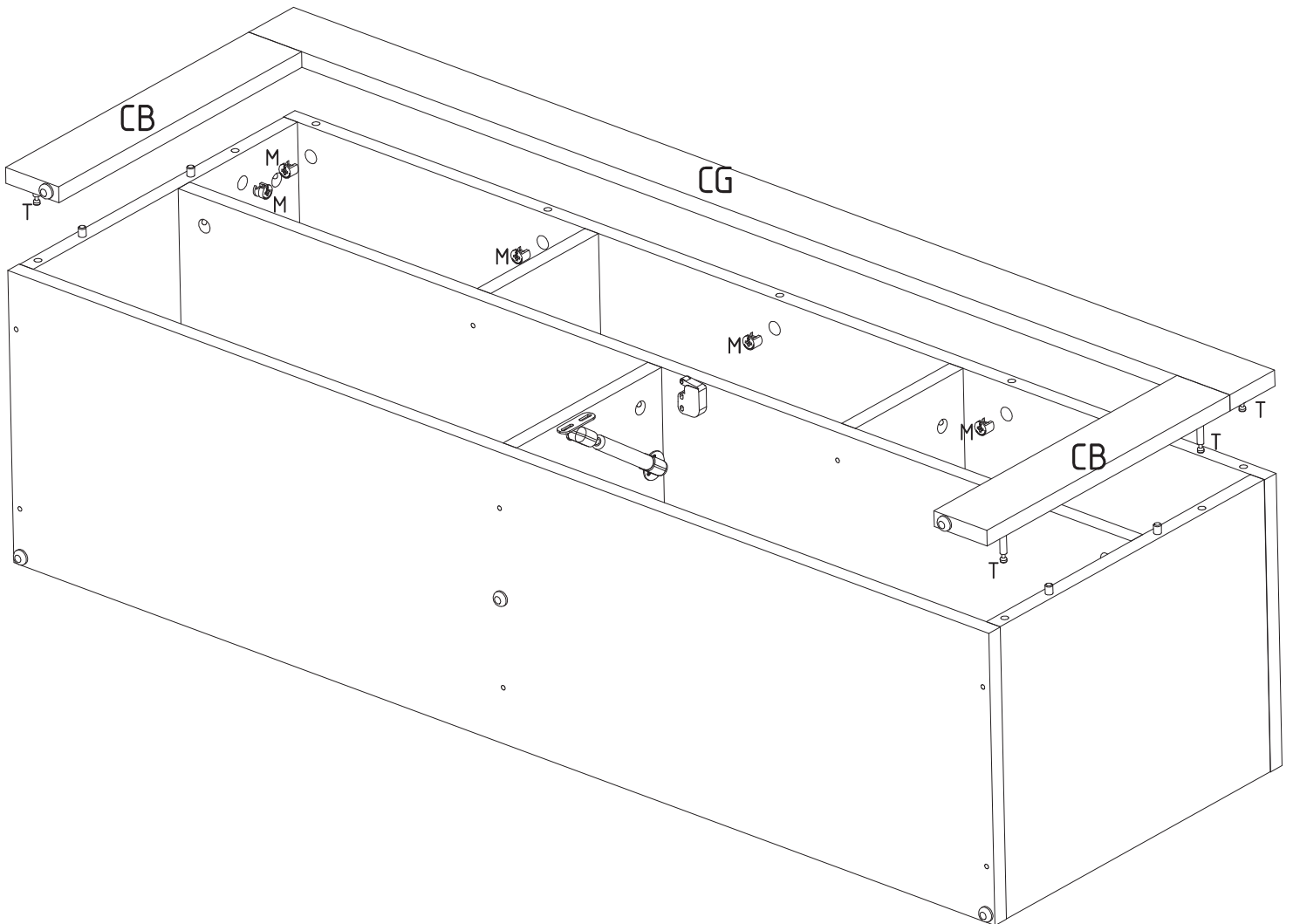
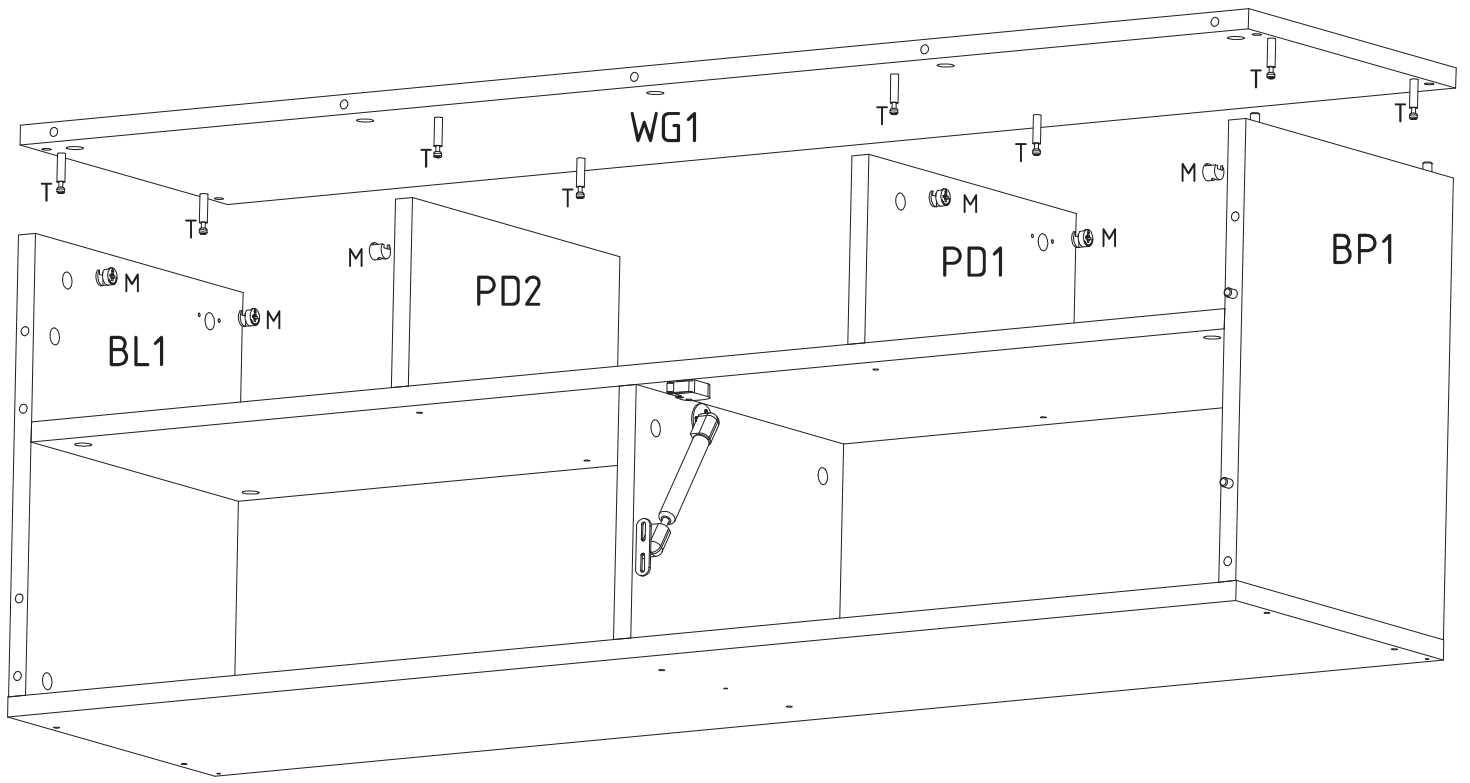


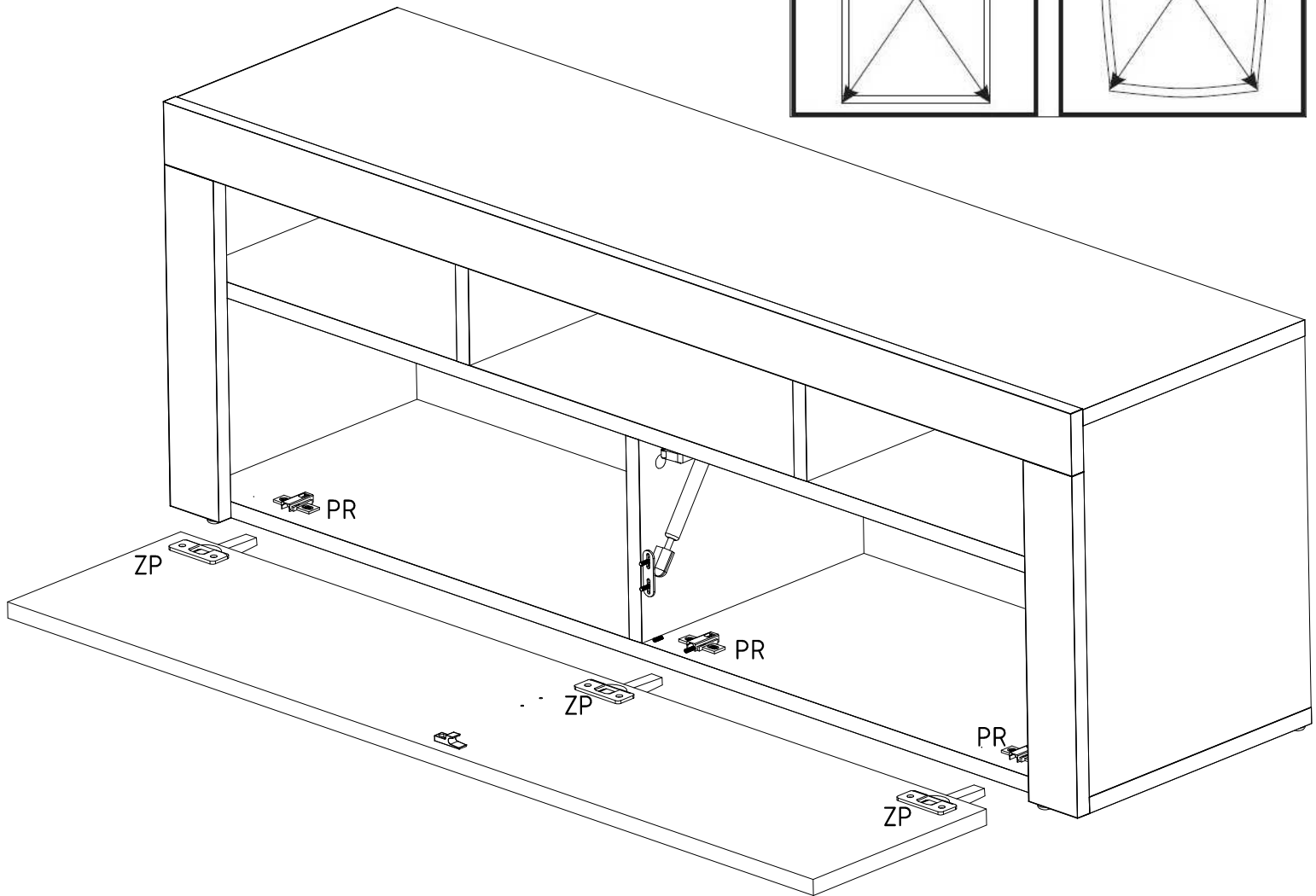
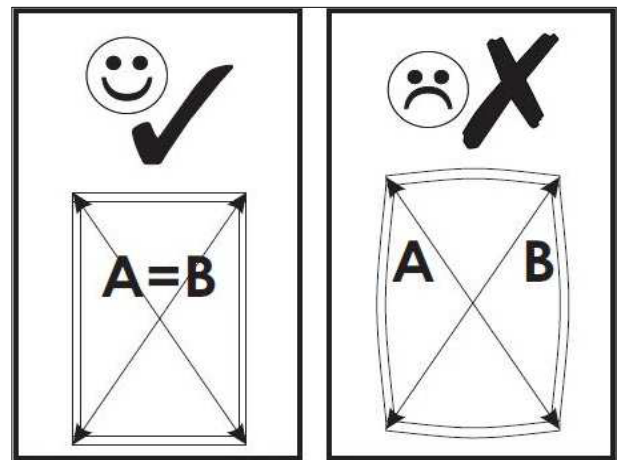
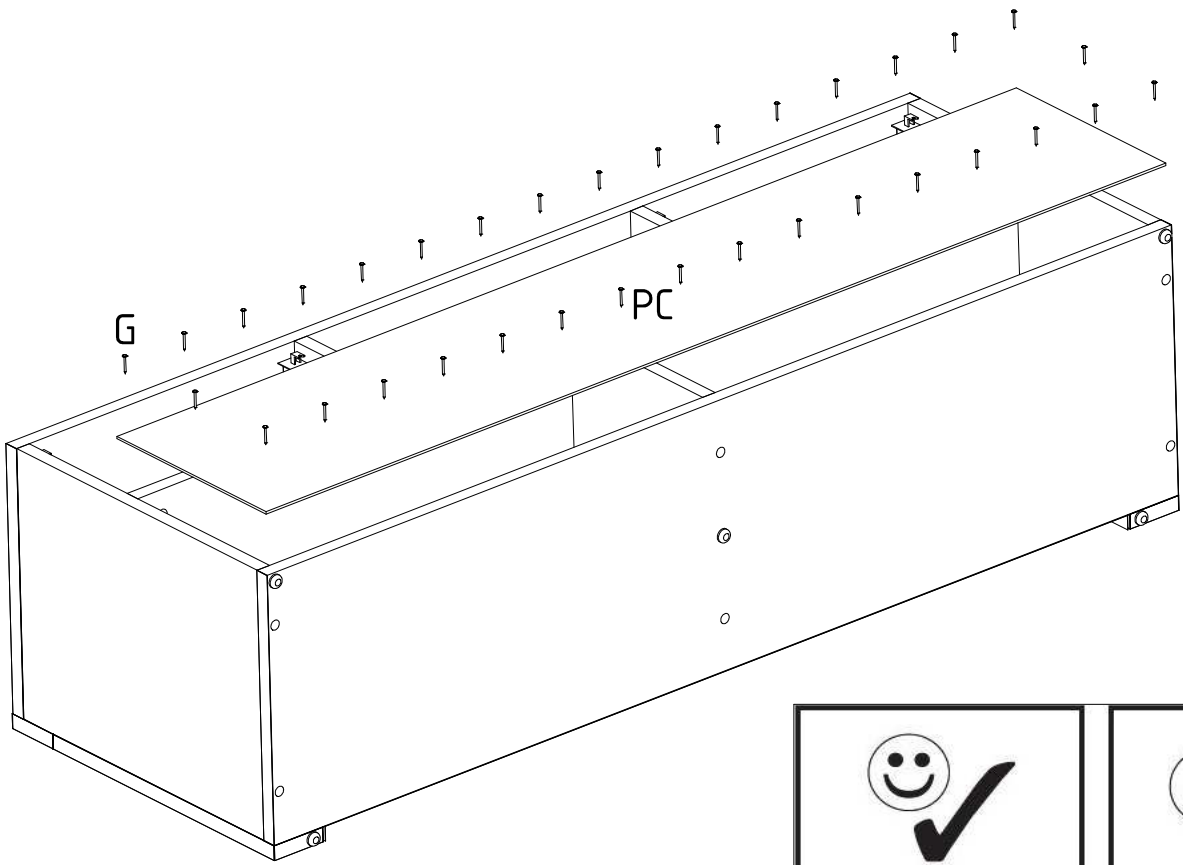
M&T			
1	2	3	4

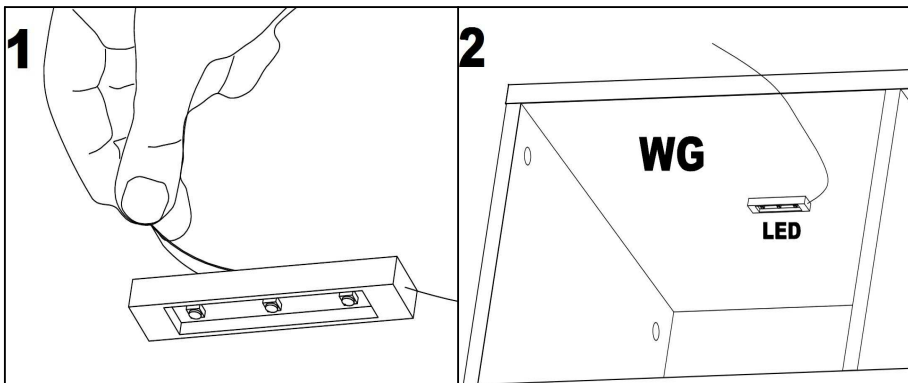
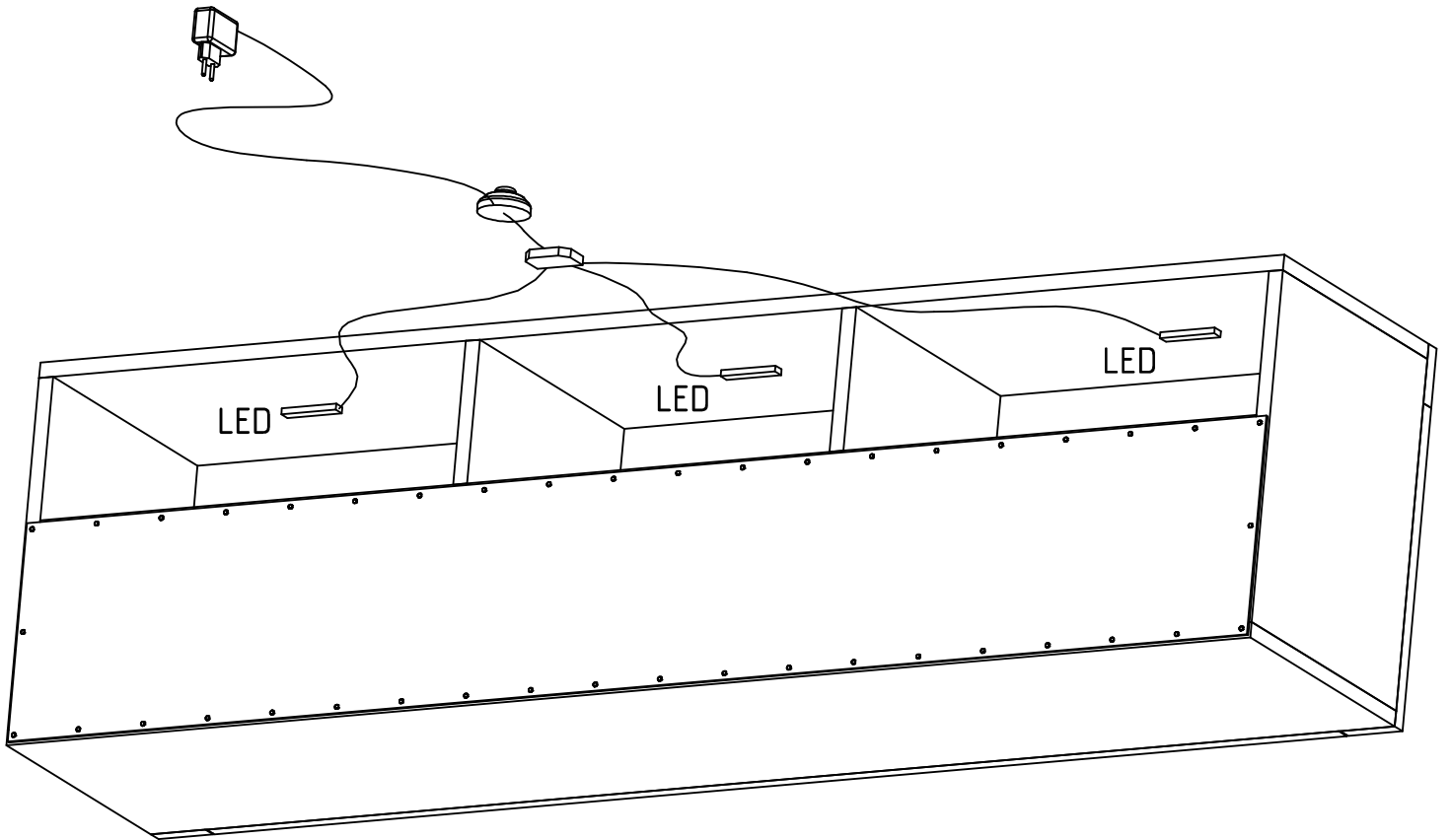
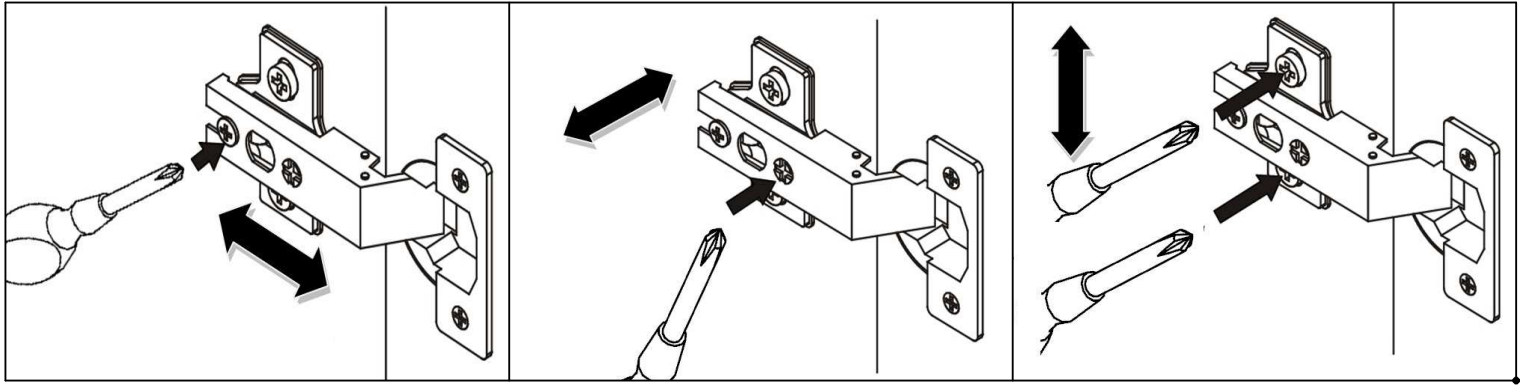






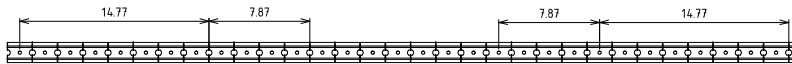








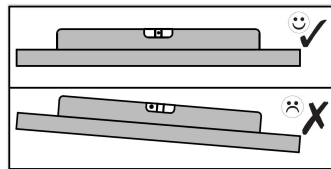
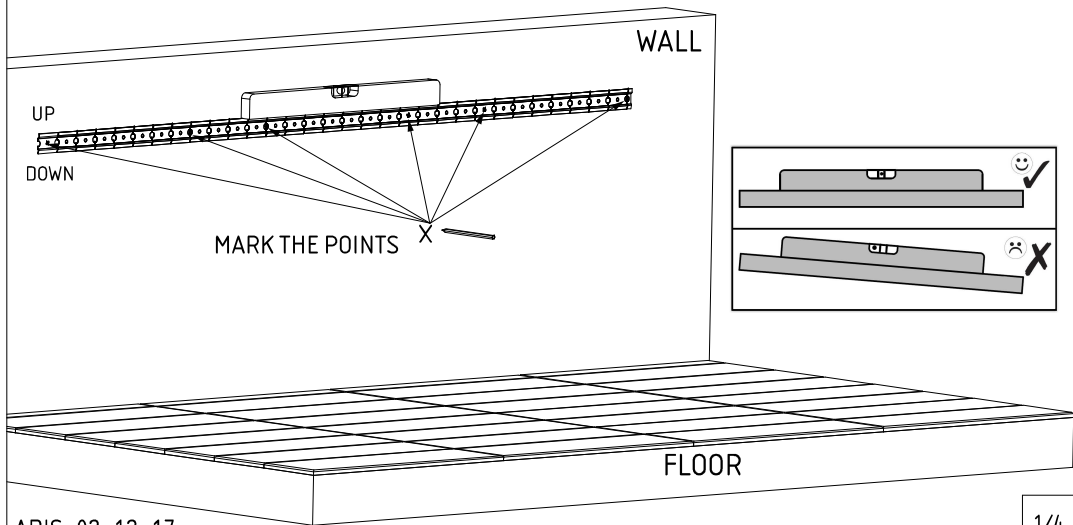
DISTANCE OF DRILLING



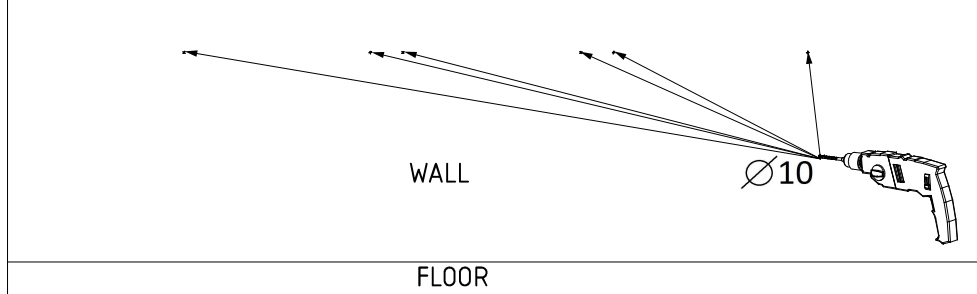
UNIT: in

1.

Wall installation manual



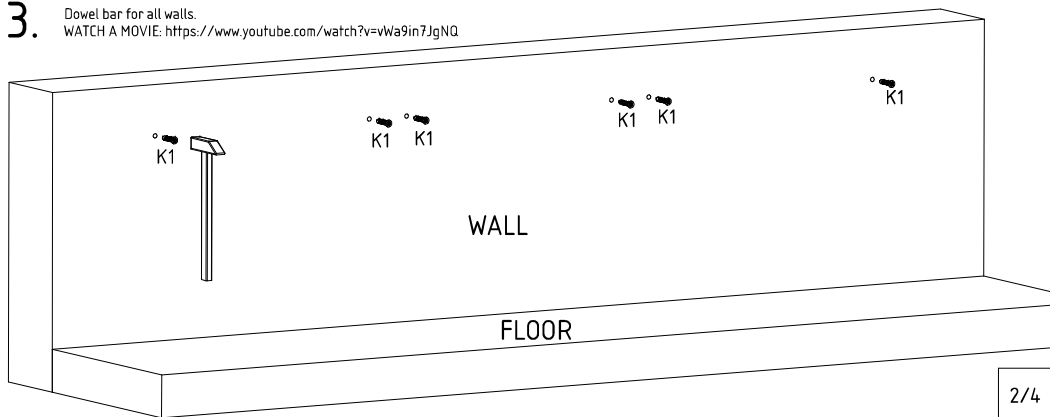
2.



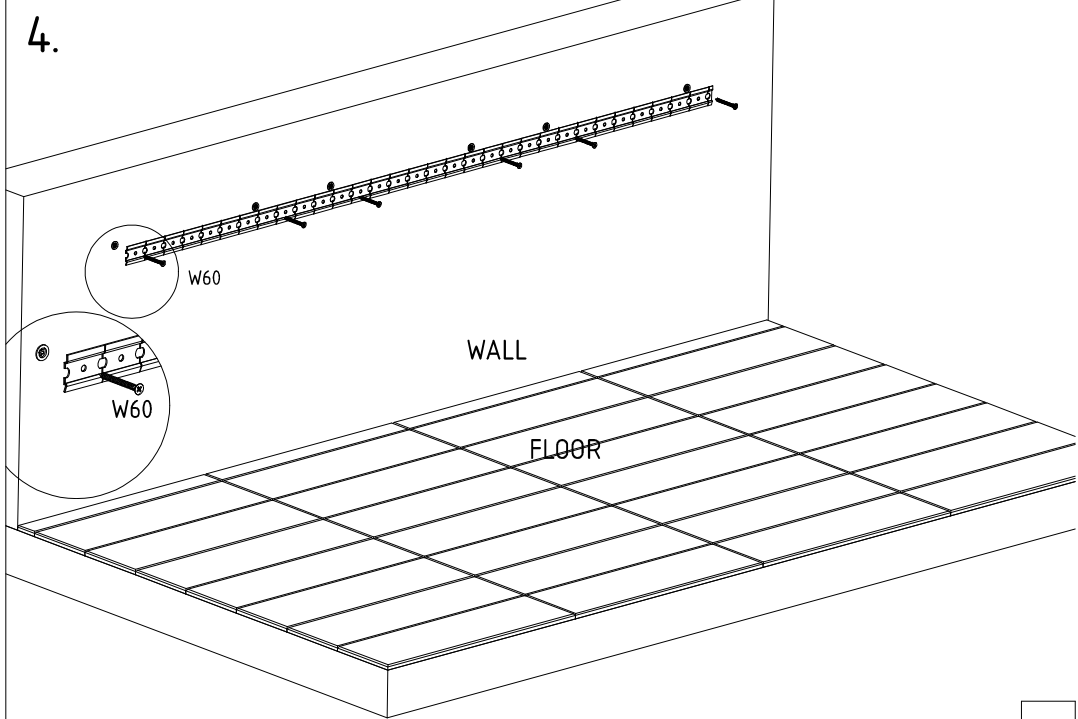
3.

Dowel bar for all walls.

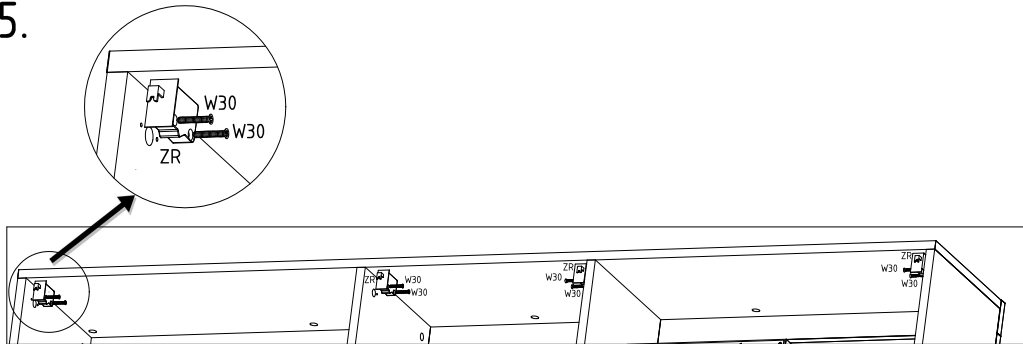
WATCH A MOVIE: <https://www.youtube.com/watch?v=vWa9in7JgNQ>



4.



5.



6.

