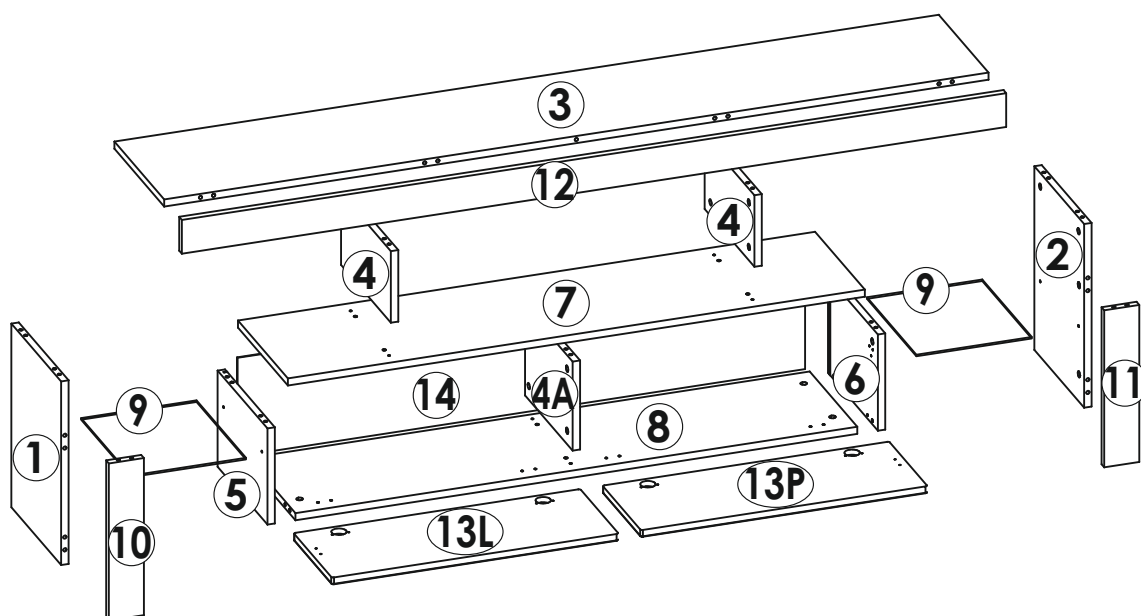
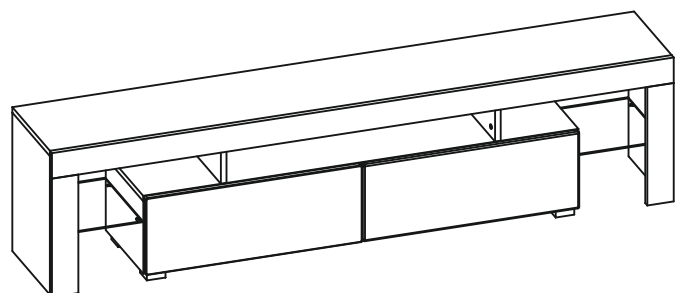
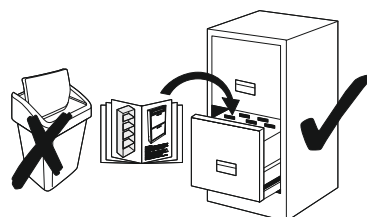


# RTV MILANO 200



- 80 min.

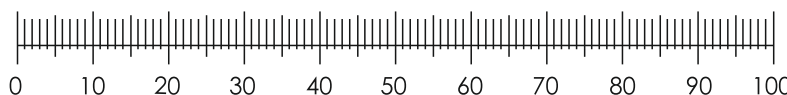
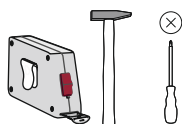
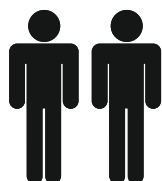


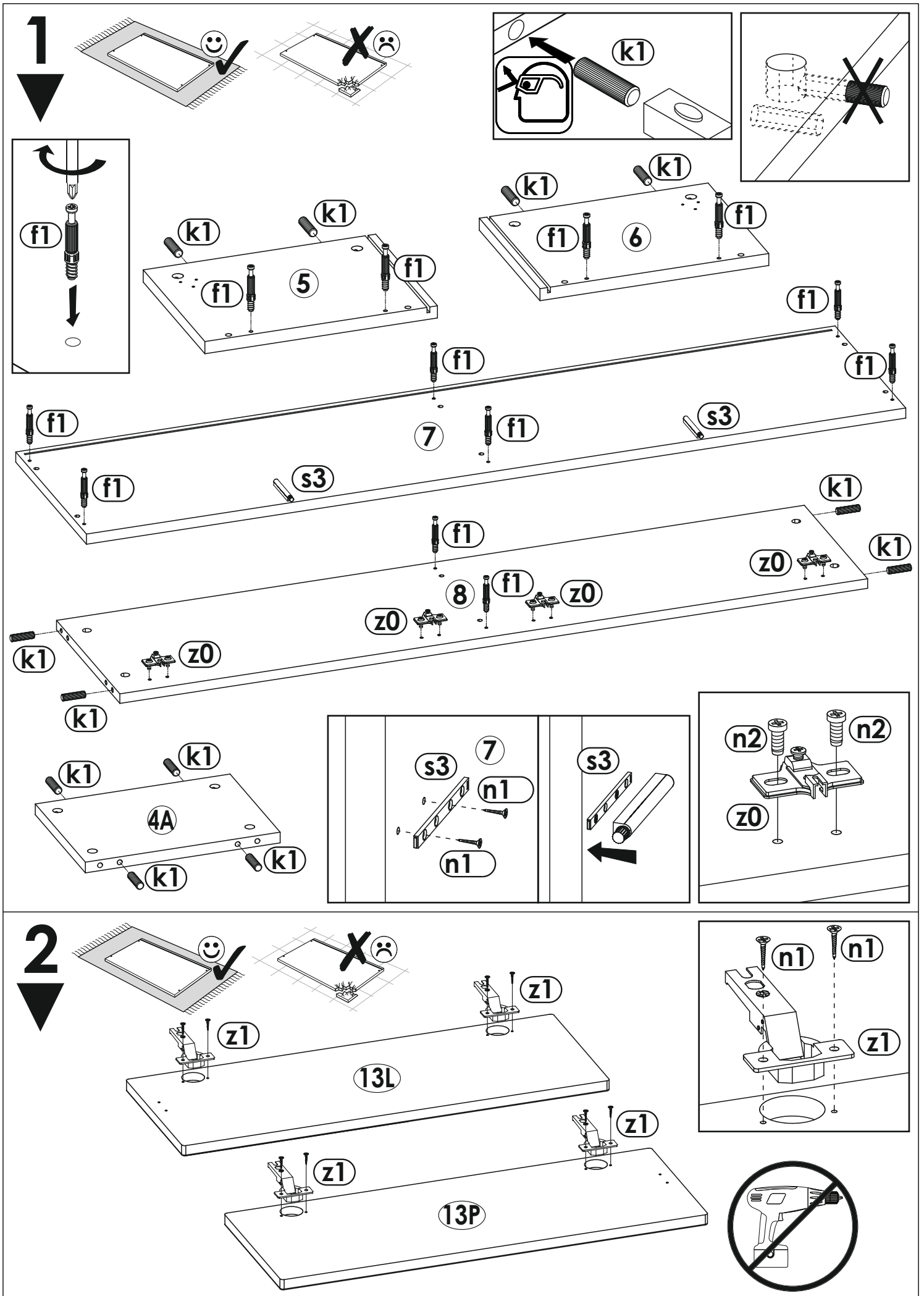
1	432	330	x1
2	432	330	x1
3	2000	330	x1
4	162	330	x2
4A	213	317	x1
5	232	330	x1
6	232	330	x1
7	1400	330	x1
8	1362	317	x1
9	282	320	x2
10	85	365	x1
11	85	365	x1
12	2000	85	x1
13L	698	248	x1
13P	698	248	x1
14	1372	248	x1

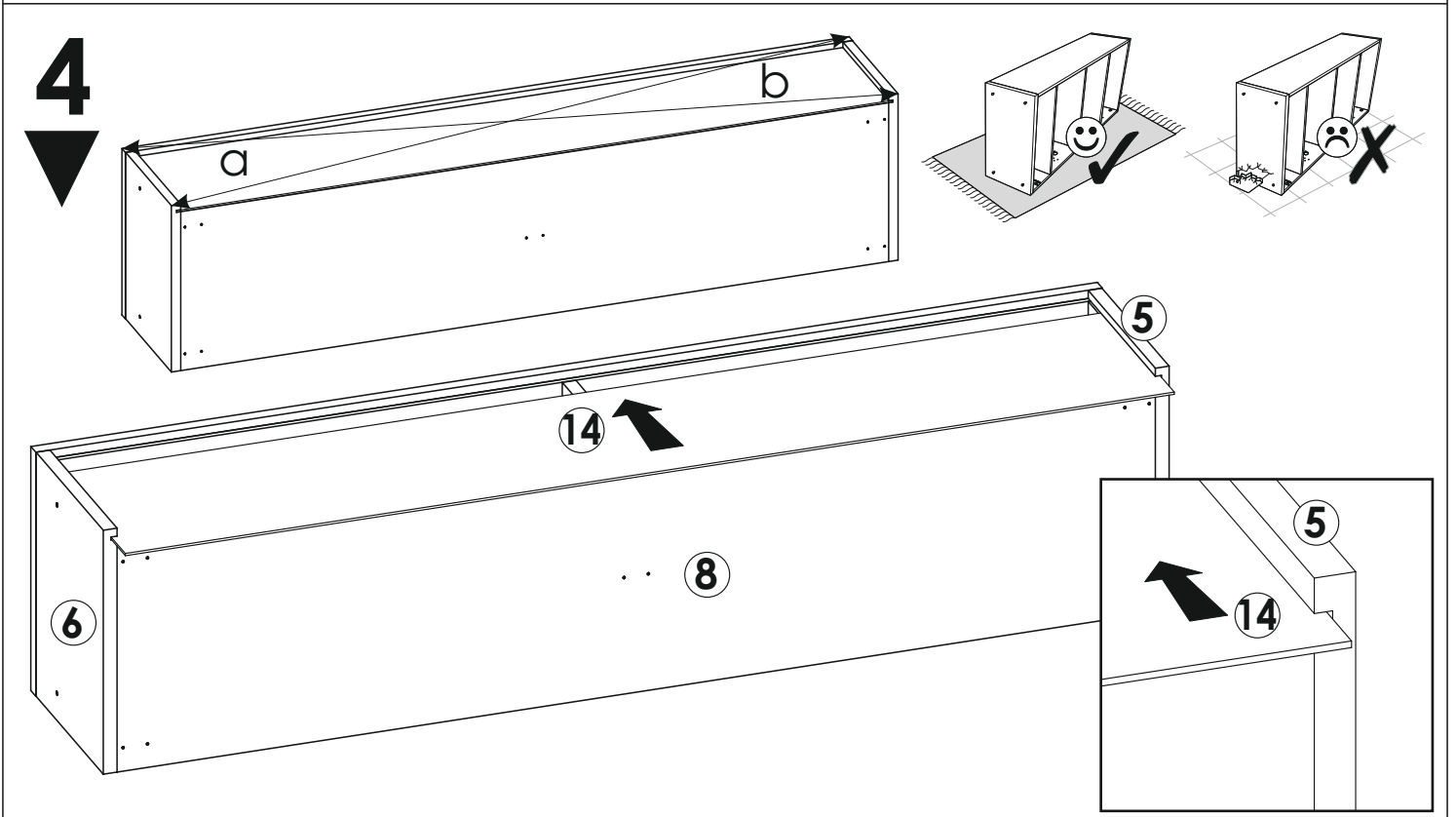
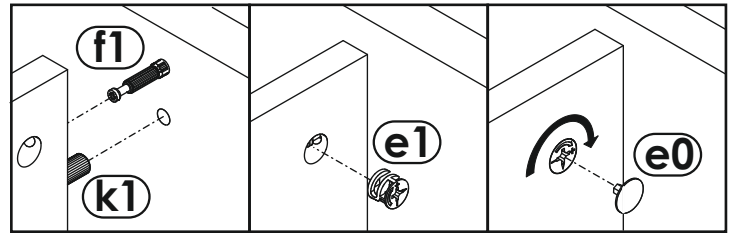
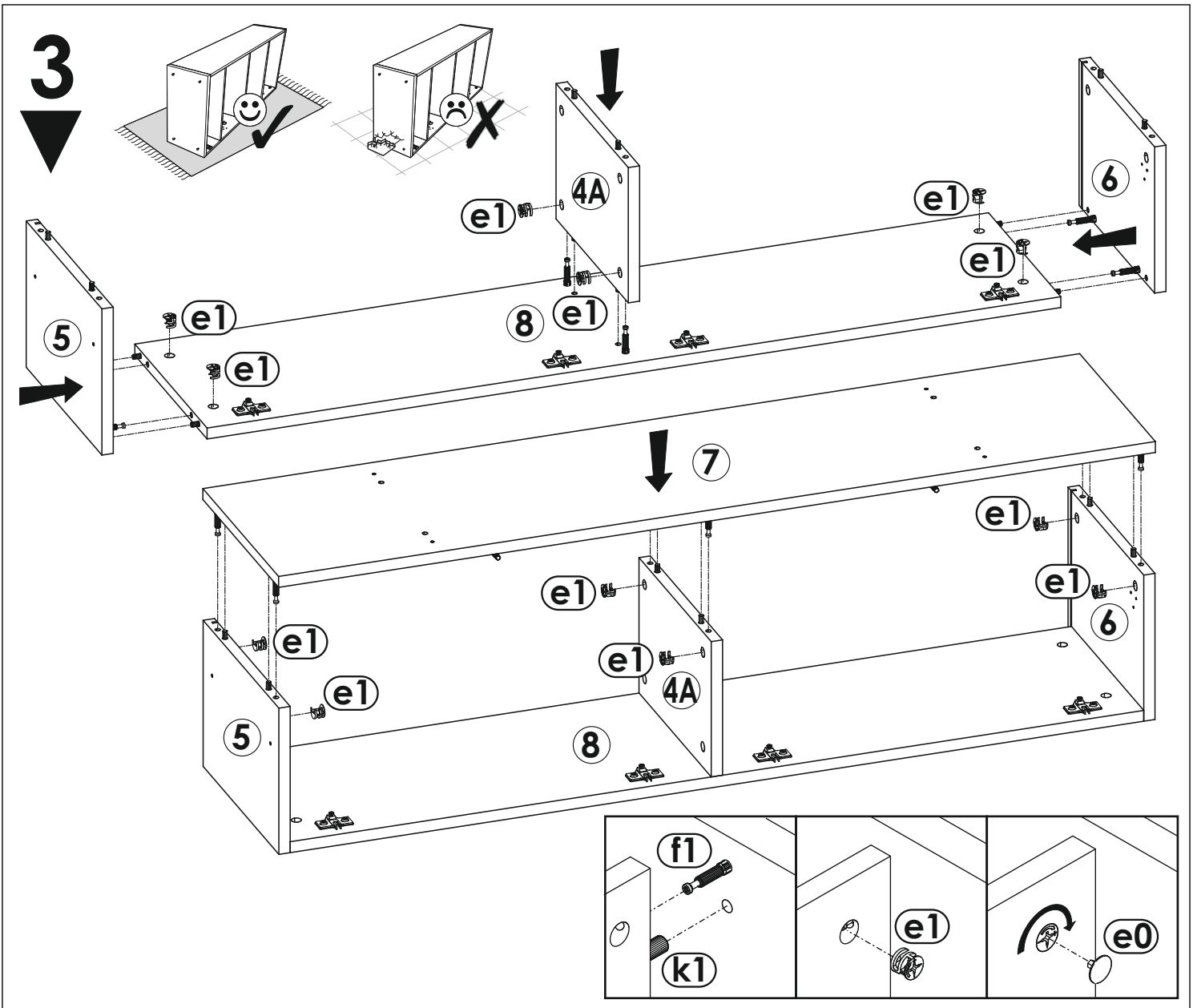


\* tylko  
w wersji  
LED

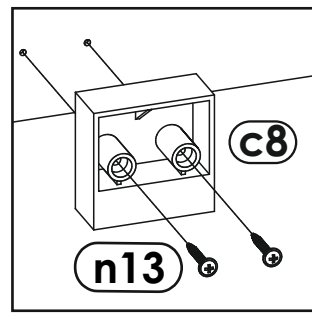
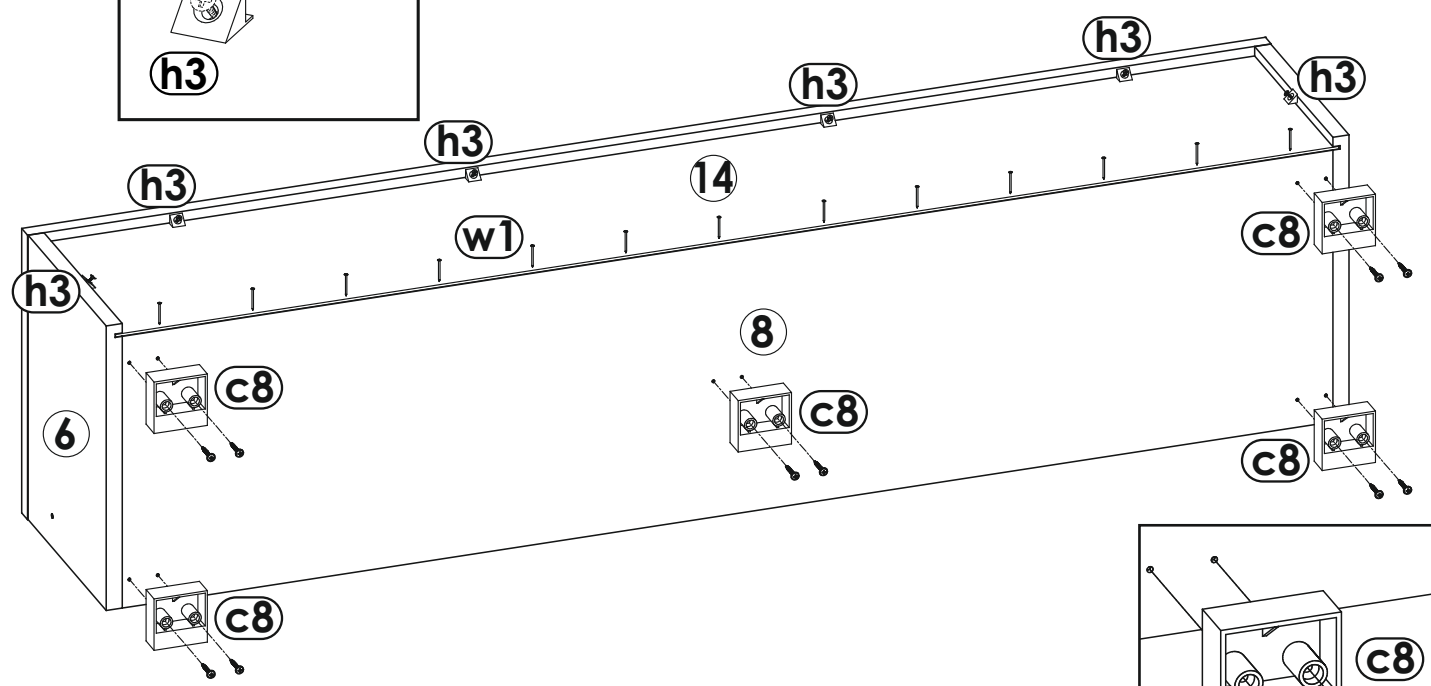
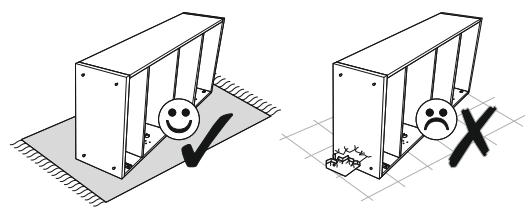
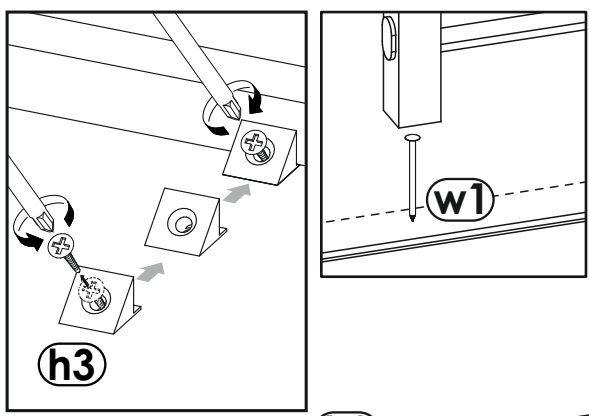
 x1	 x6	 x36	 x8	 x4	 ~20
 x4	 x8	 x4	 4x16 x12	 x2	 3,5x14 x10
 x33	 x33	 x33	 x5	 3,5x30 x10	 x2



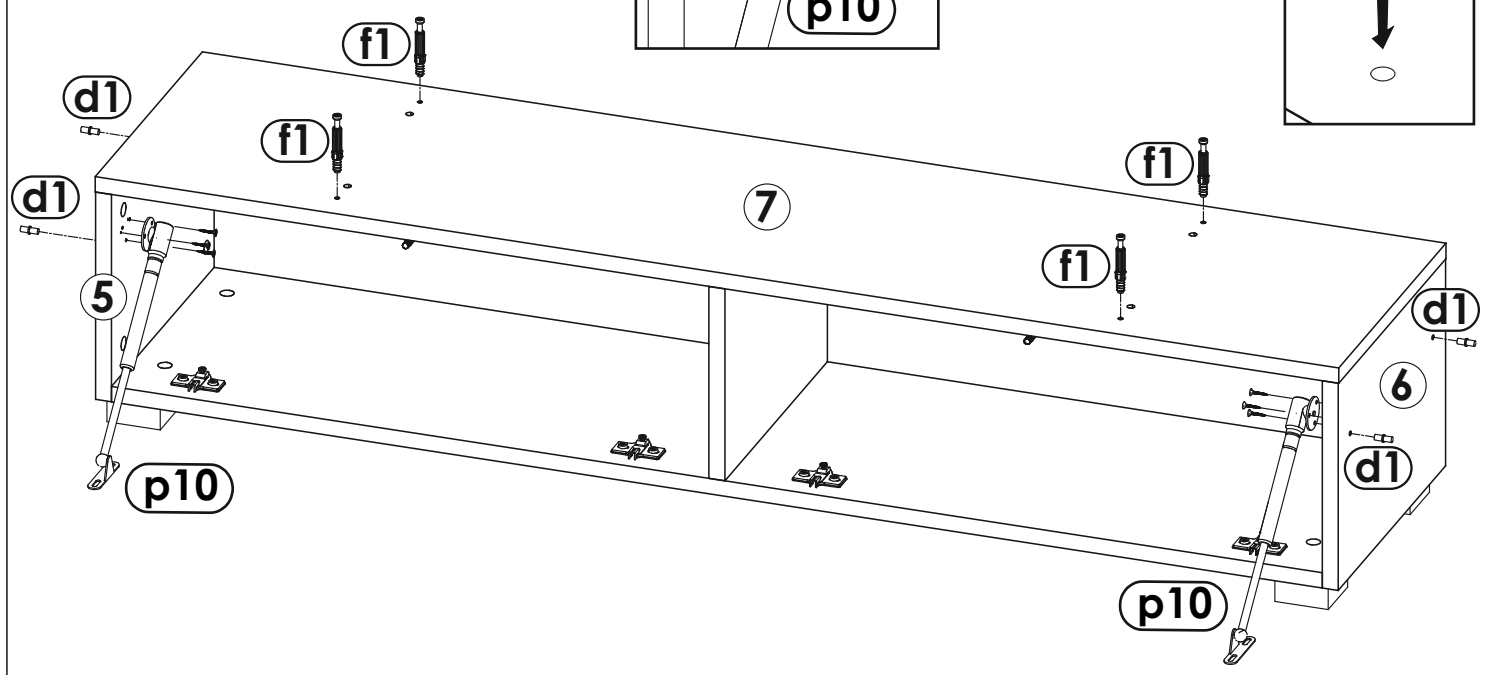
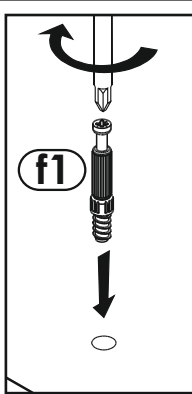
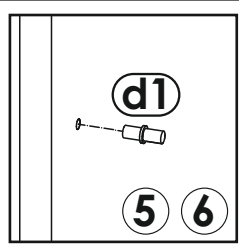
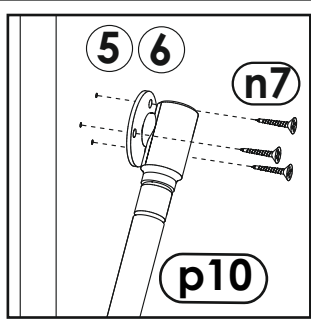




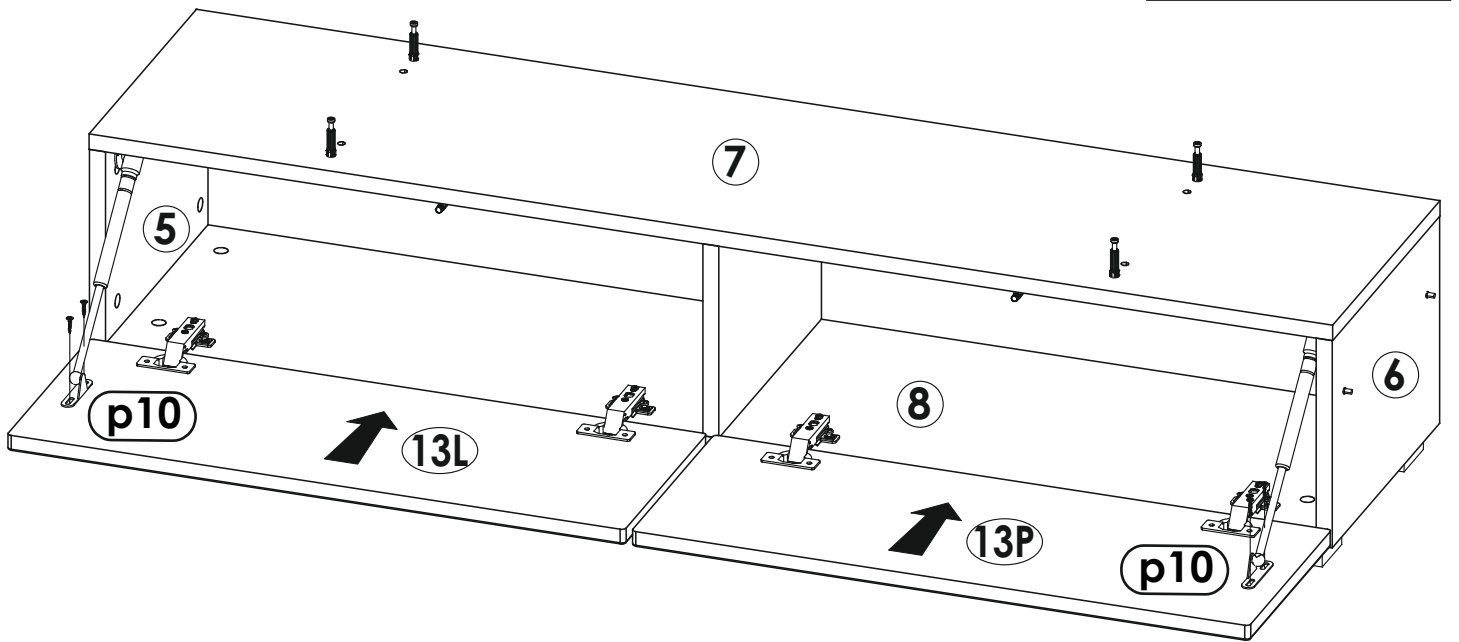
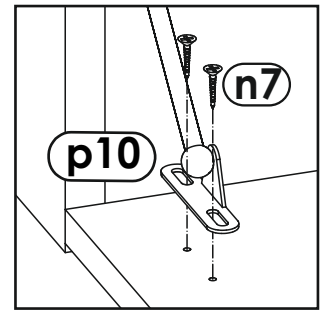
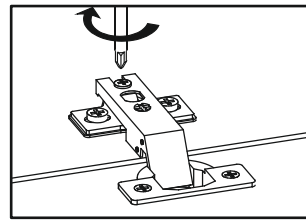
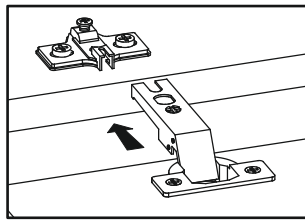
5



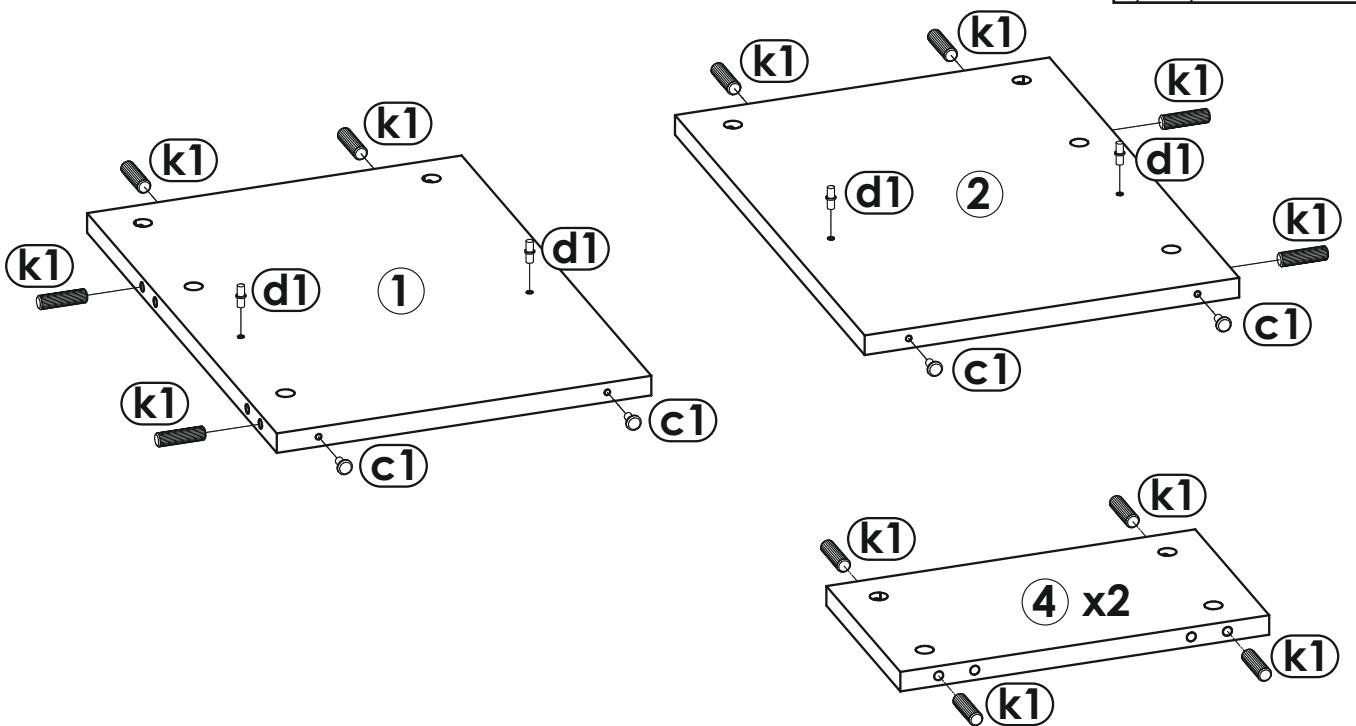
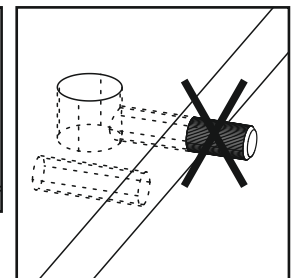
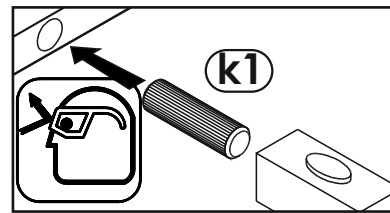
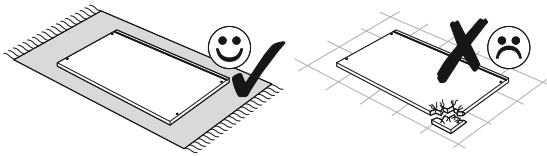
6



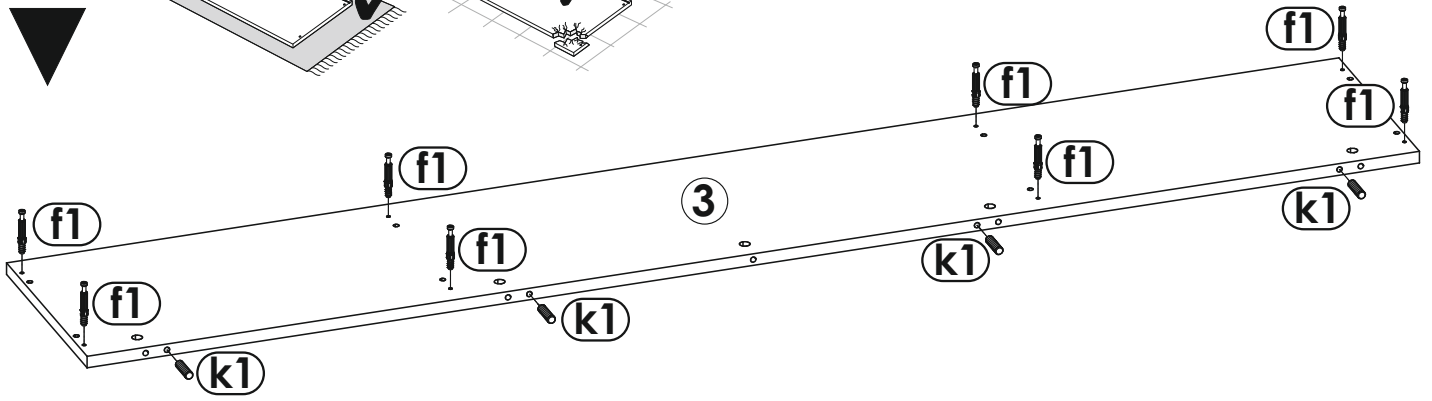
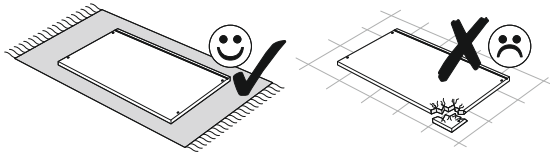
7  
▼



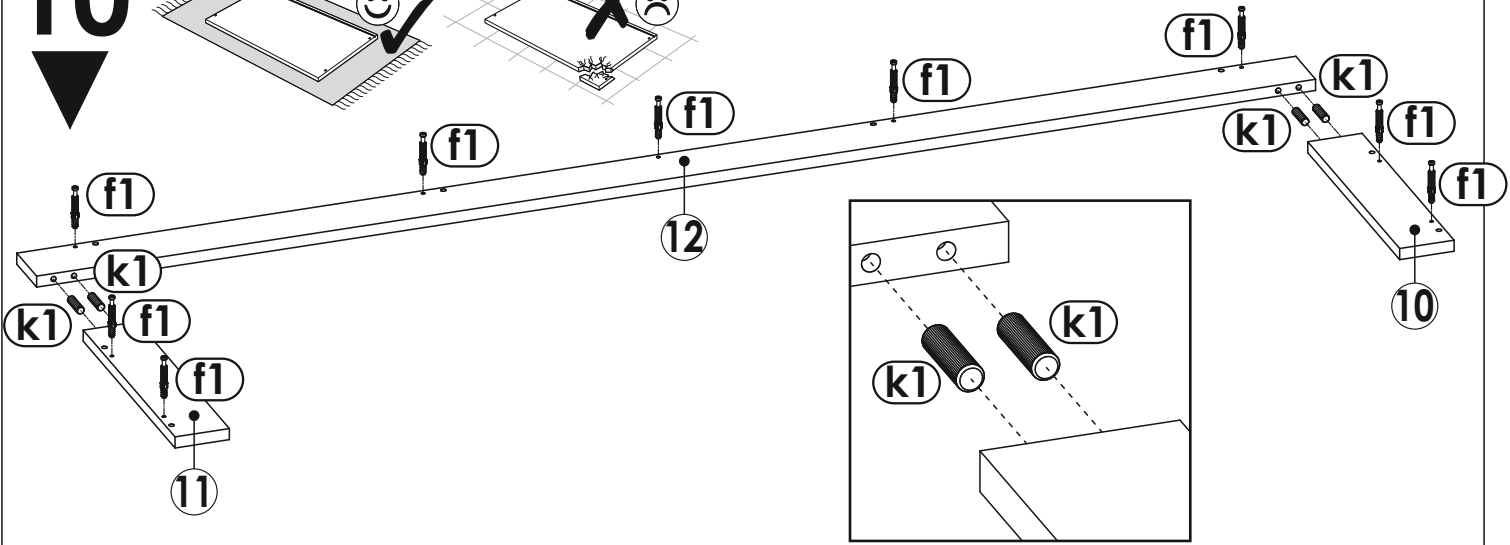
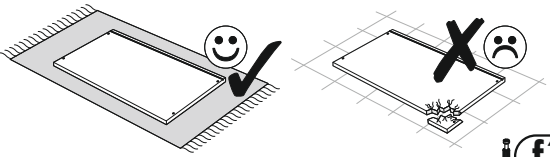
8  
▼



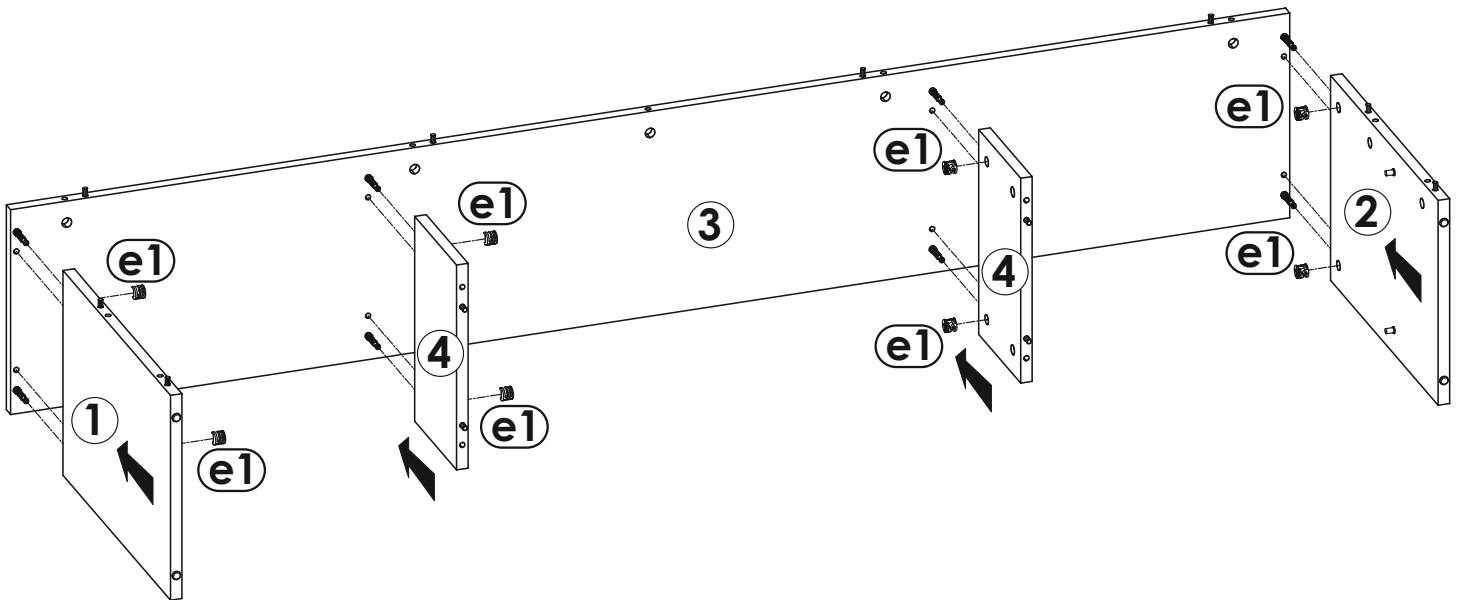
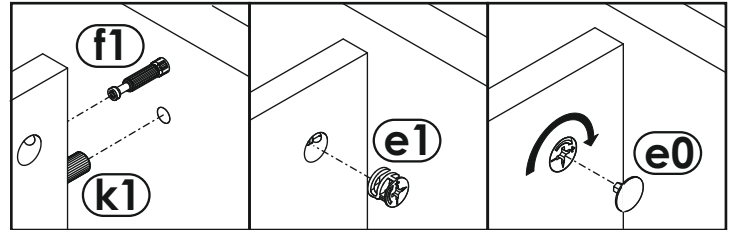
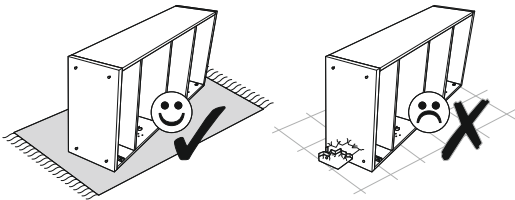
9  
▼



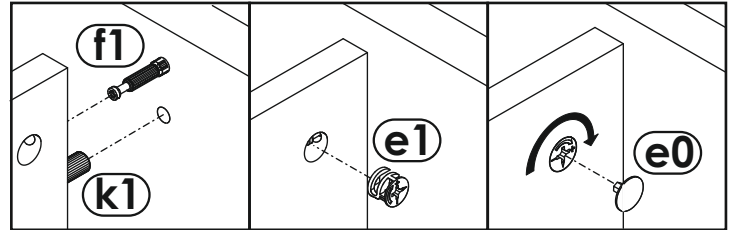
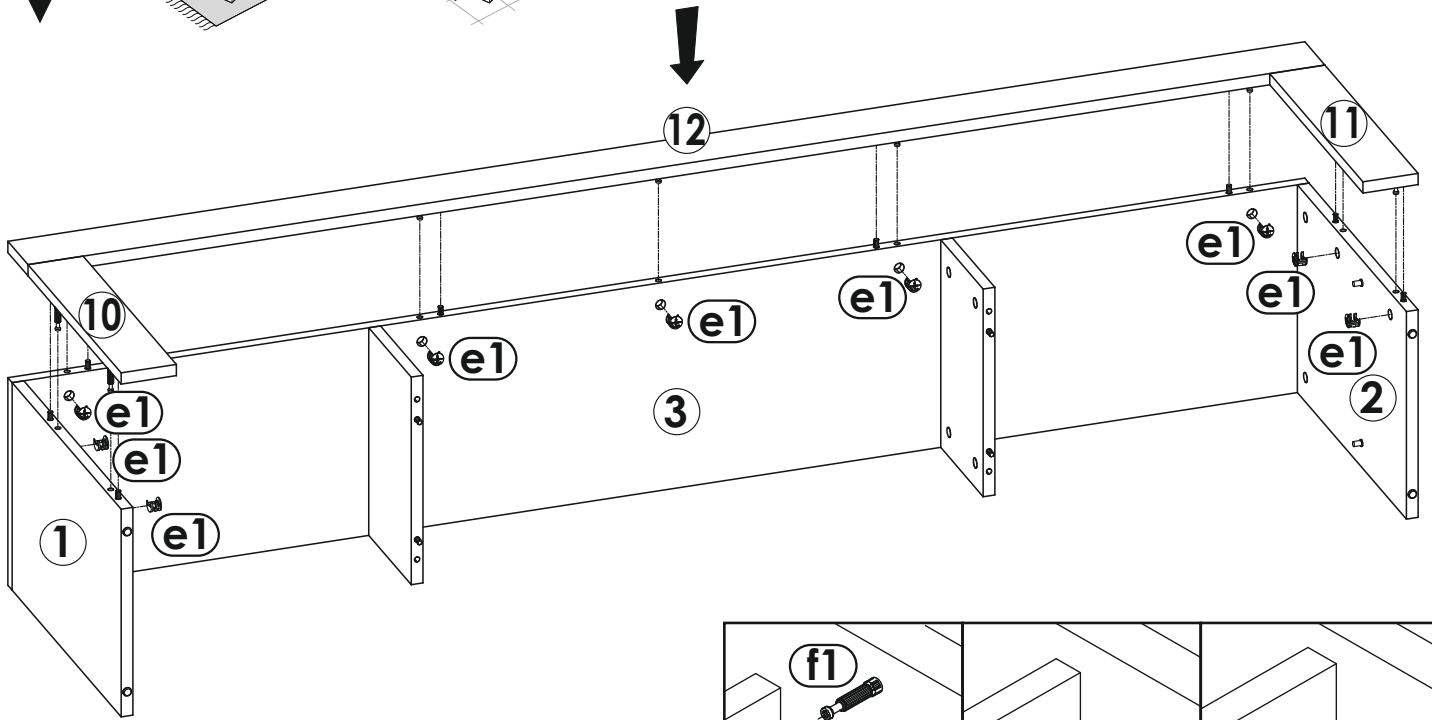
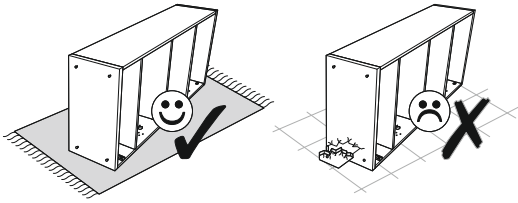
10  
▼



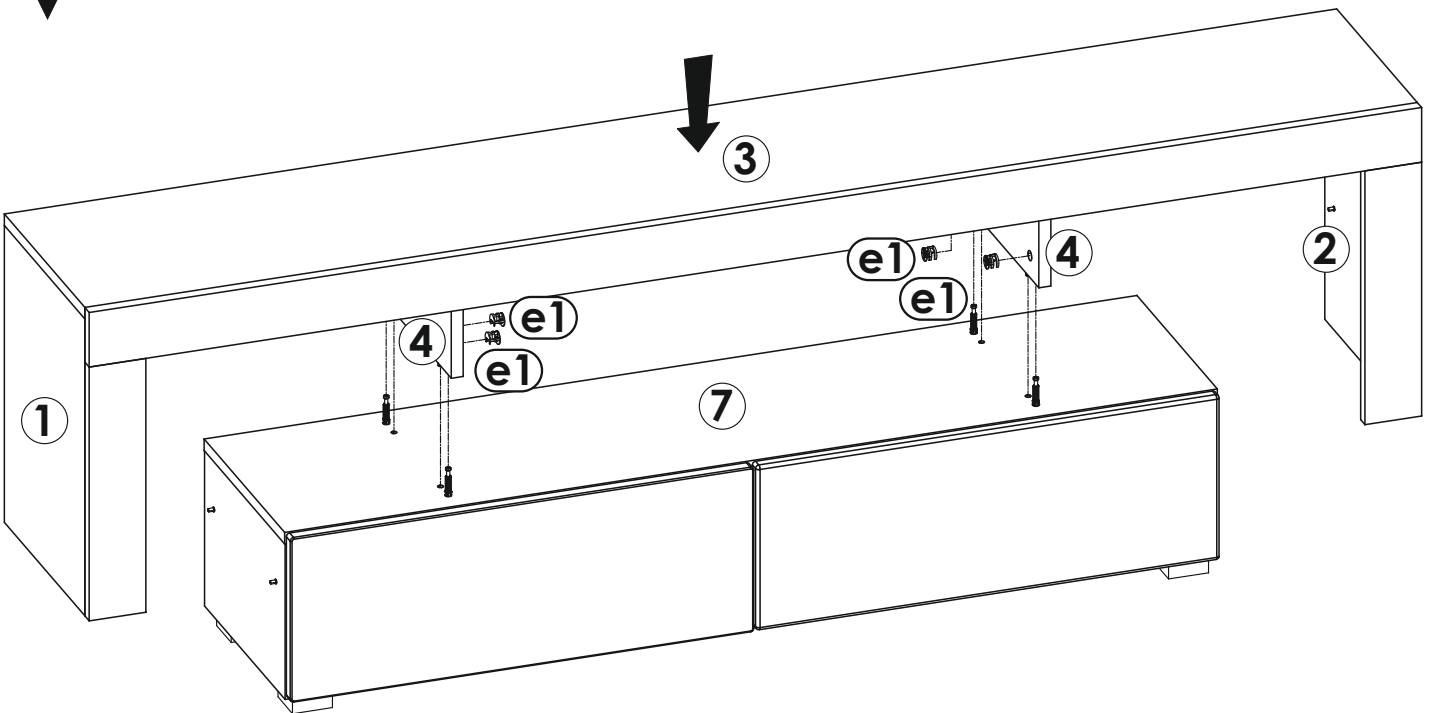
11  
▼



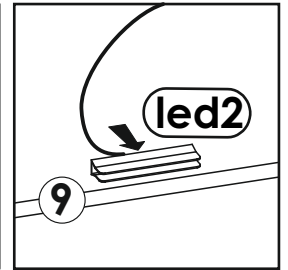
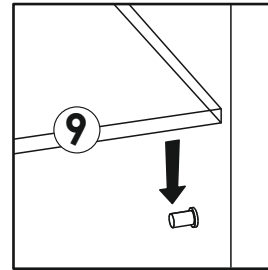
# 12



# 13



# 14



\* tylko  
w wersji  
LED

