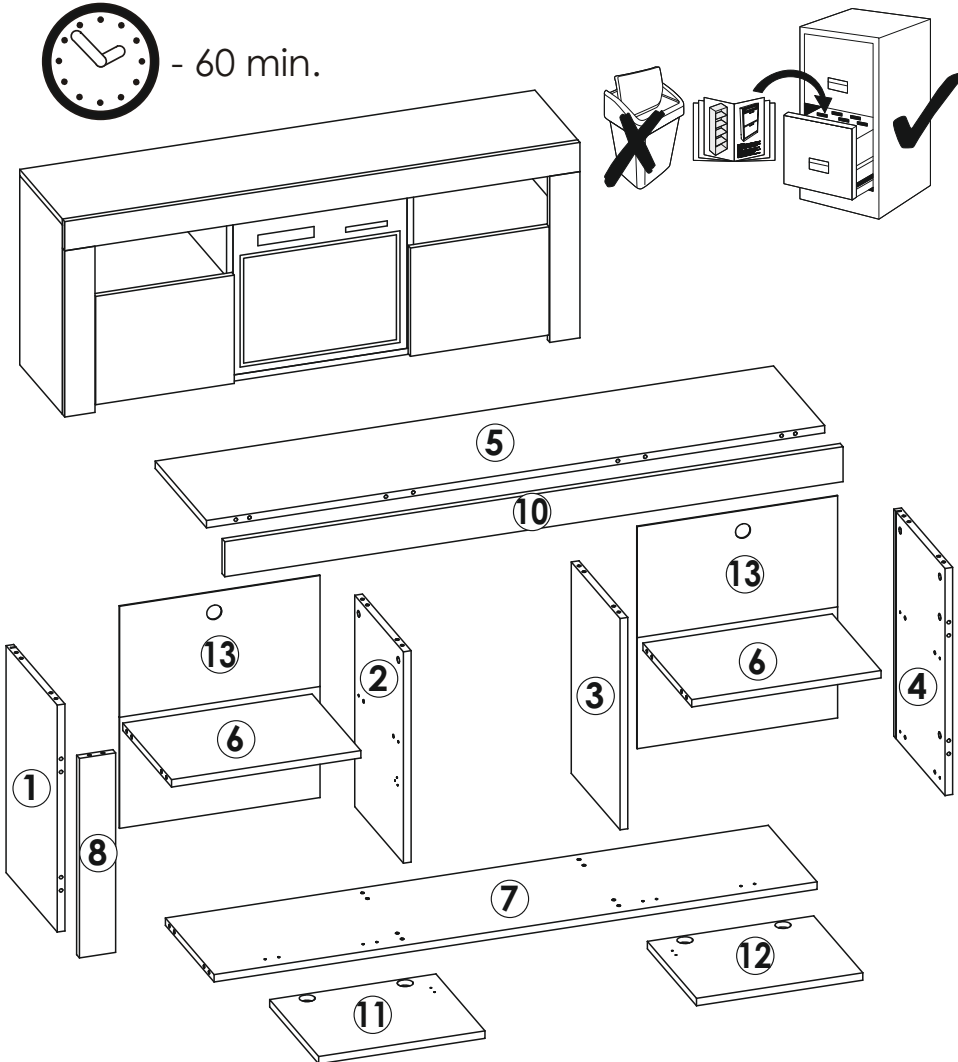


RTV 2D - K



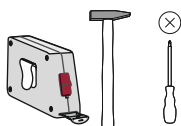
- 60 min.



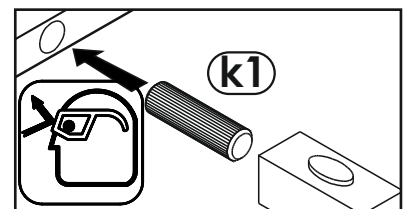
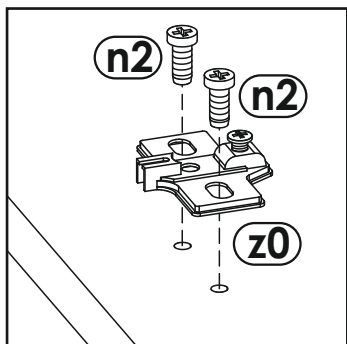
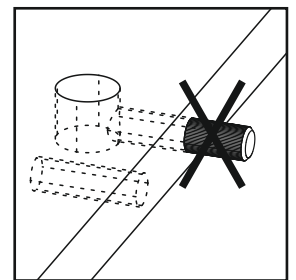
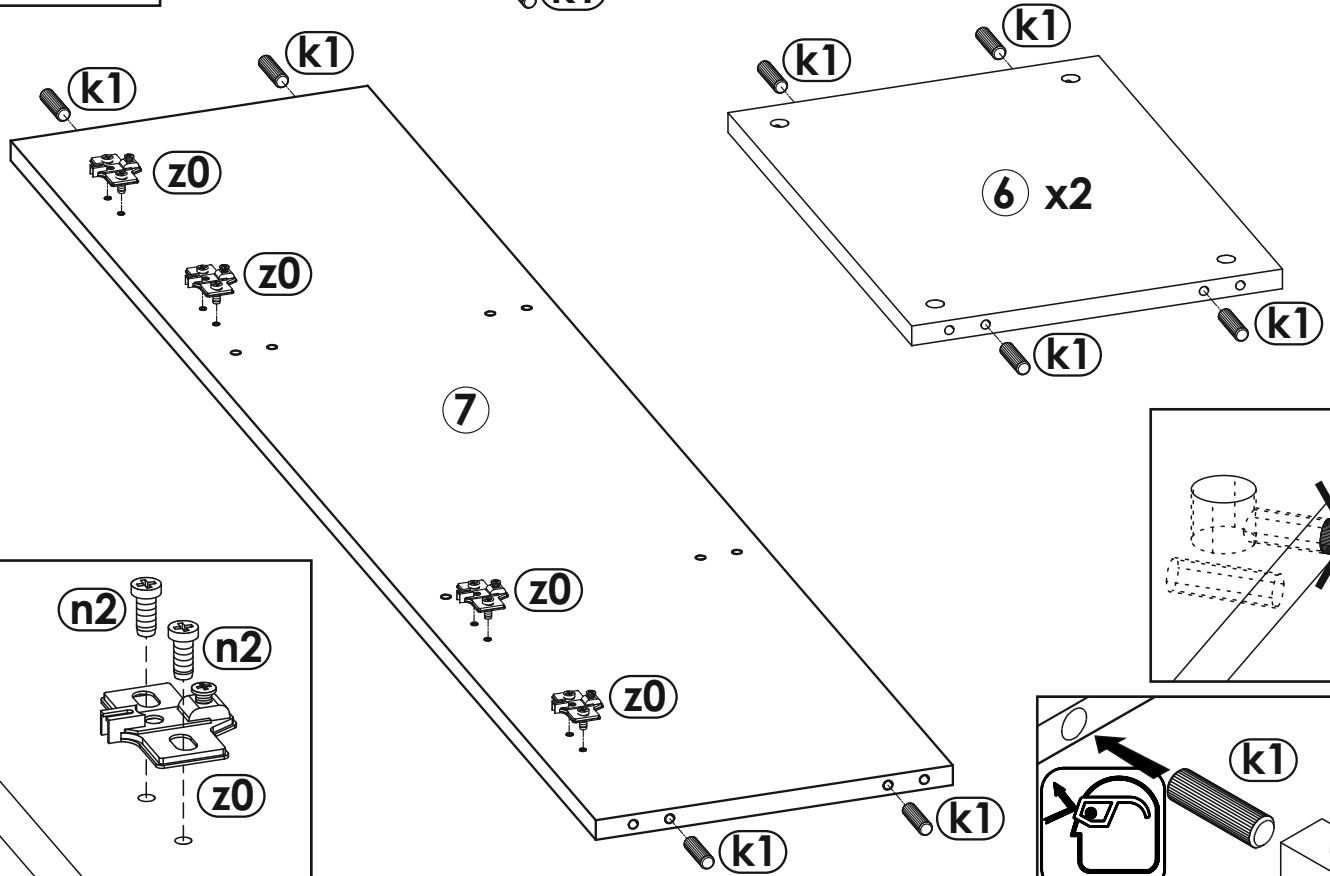
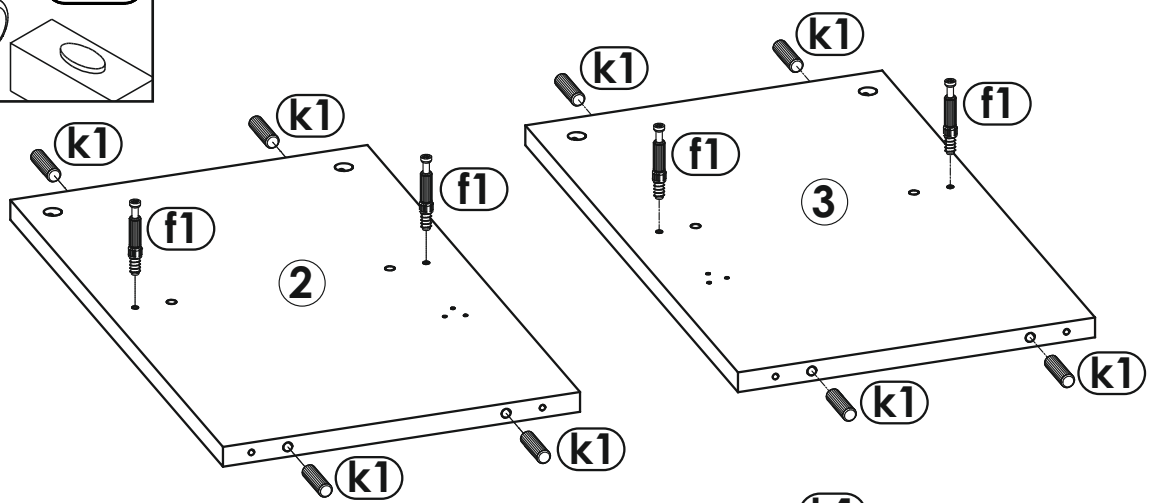
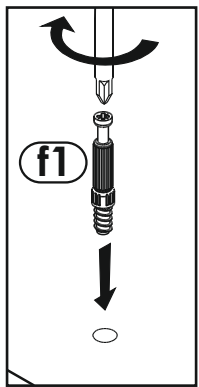
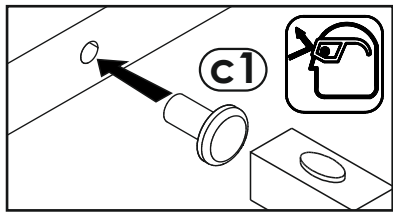
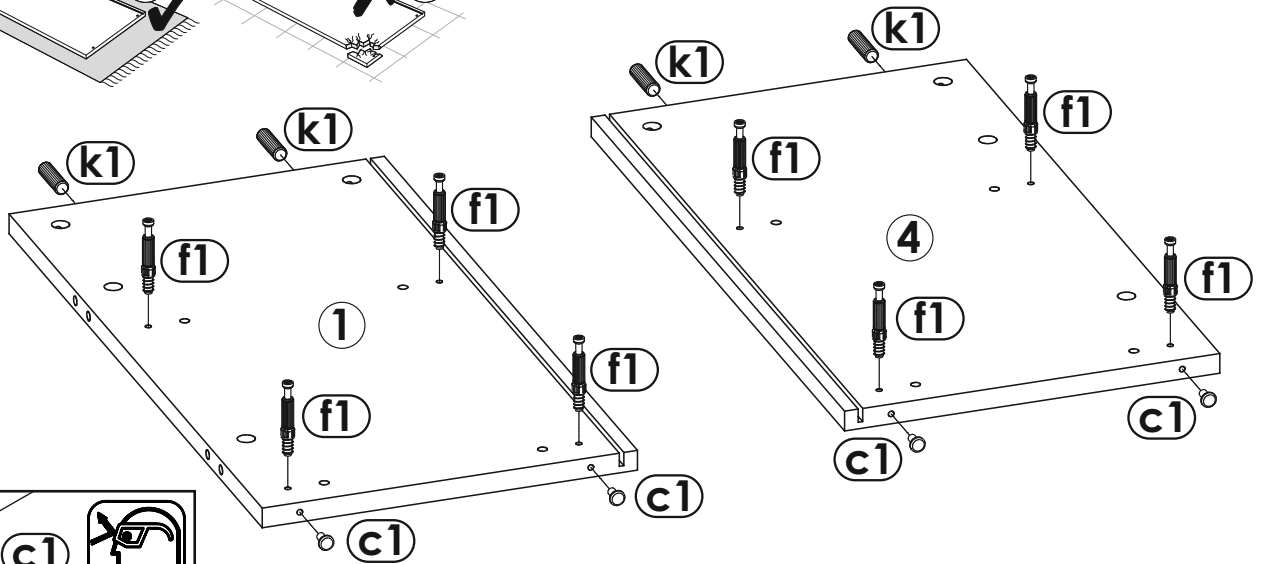
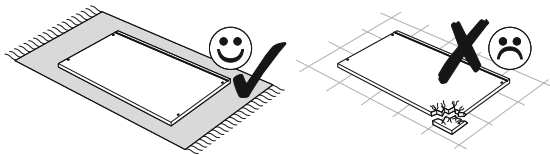
	mm	inch	
①	552 x 330	21,73x12,99	x1
②	513 x 317	20,19x12,48	x1
③	513 x 317	20,19x12,48	x1
④	552 x 330	21,73x12,99	x1
⑤	1450 x 330	57,09x12,99	x1
⑥	456 x 317	17,95x12,48	x2
⑦	1413 x 317	55,63x12,48	x1
⑧	485 x 85	19,09x3,35	x1
⑨	485 x 85	19,09x3,35	x1
⑩	1450 x 85	57,09x3,35	x1
⑪	406 x 306	15,98x12,05	x1
⑫	406 x 306	15,98x12,05	x1
⑬	485 x 540	19,09x21,26	x2



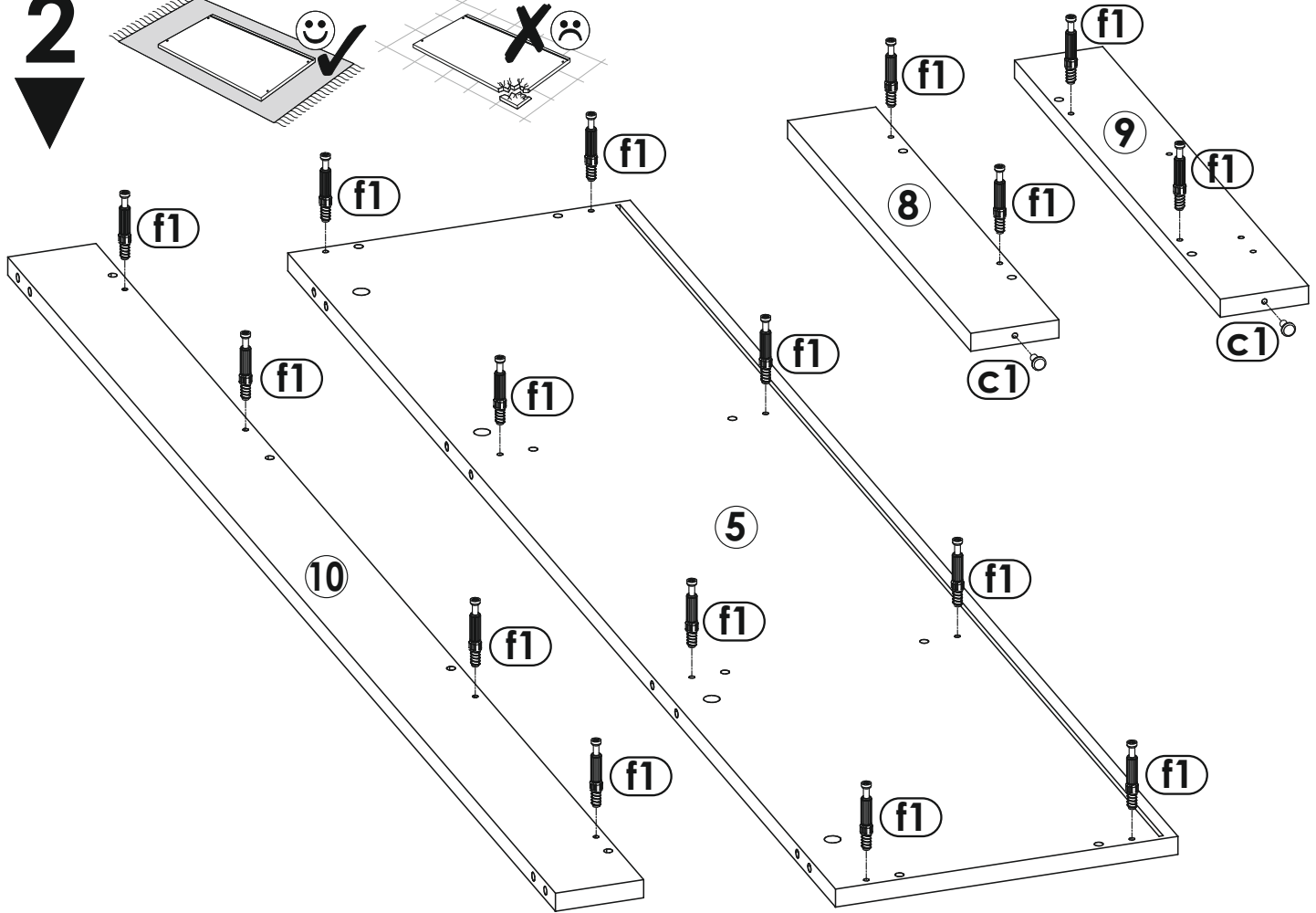
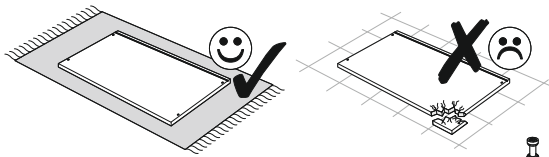
nk1 x4	led-w x1	led-3a x2	m x1	g1 x4	c8 x2	n13 3,5x22 x4
 z0 x4		 n2 x8	 z1 x4	 e0 x28	 e1 x28	 f1 x28
 h3 x8	 c1 x6	 n1 4x16 x8	 w1 ~15	 k1 x36	 p10 x2	 n7 x10



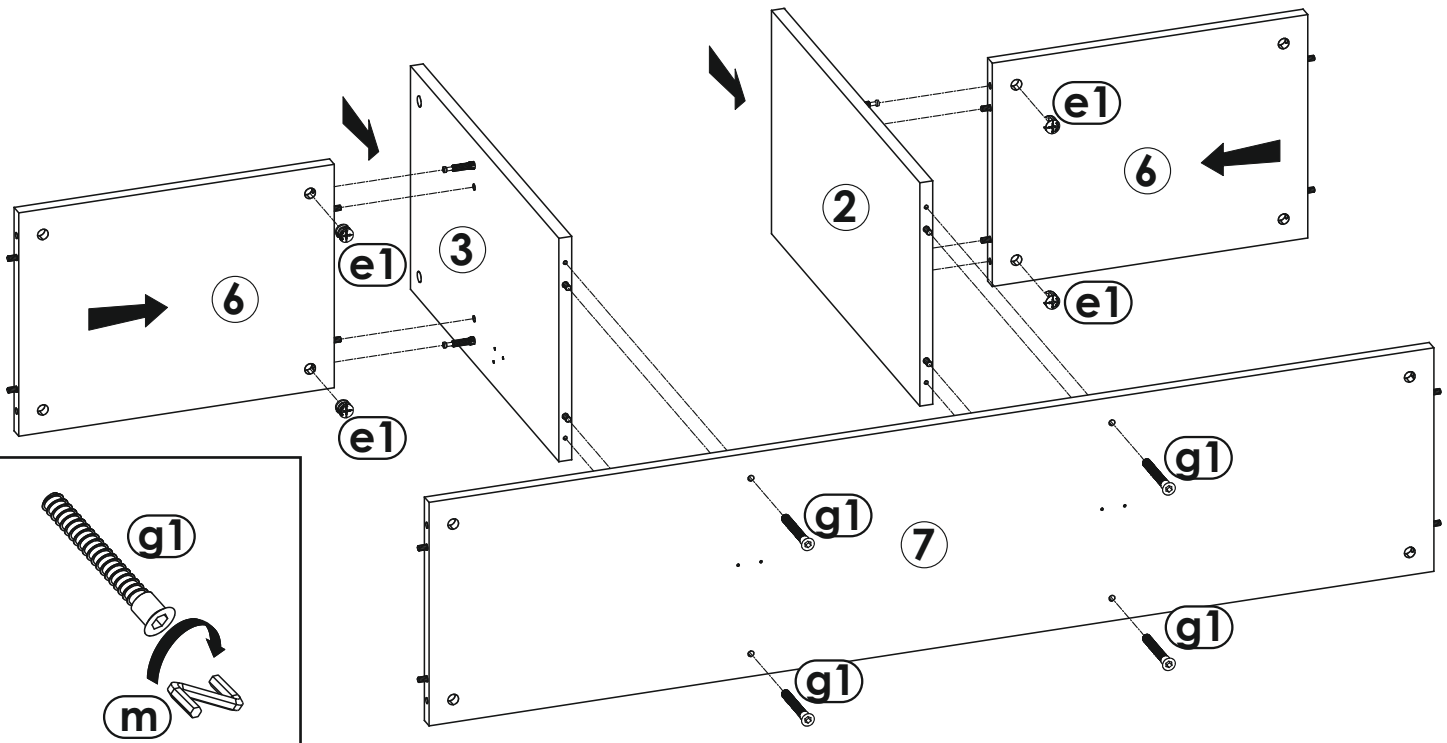
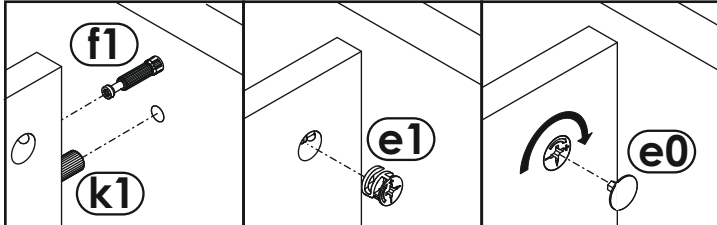
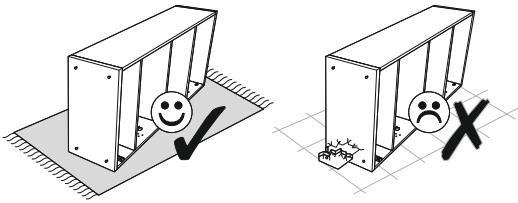
1

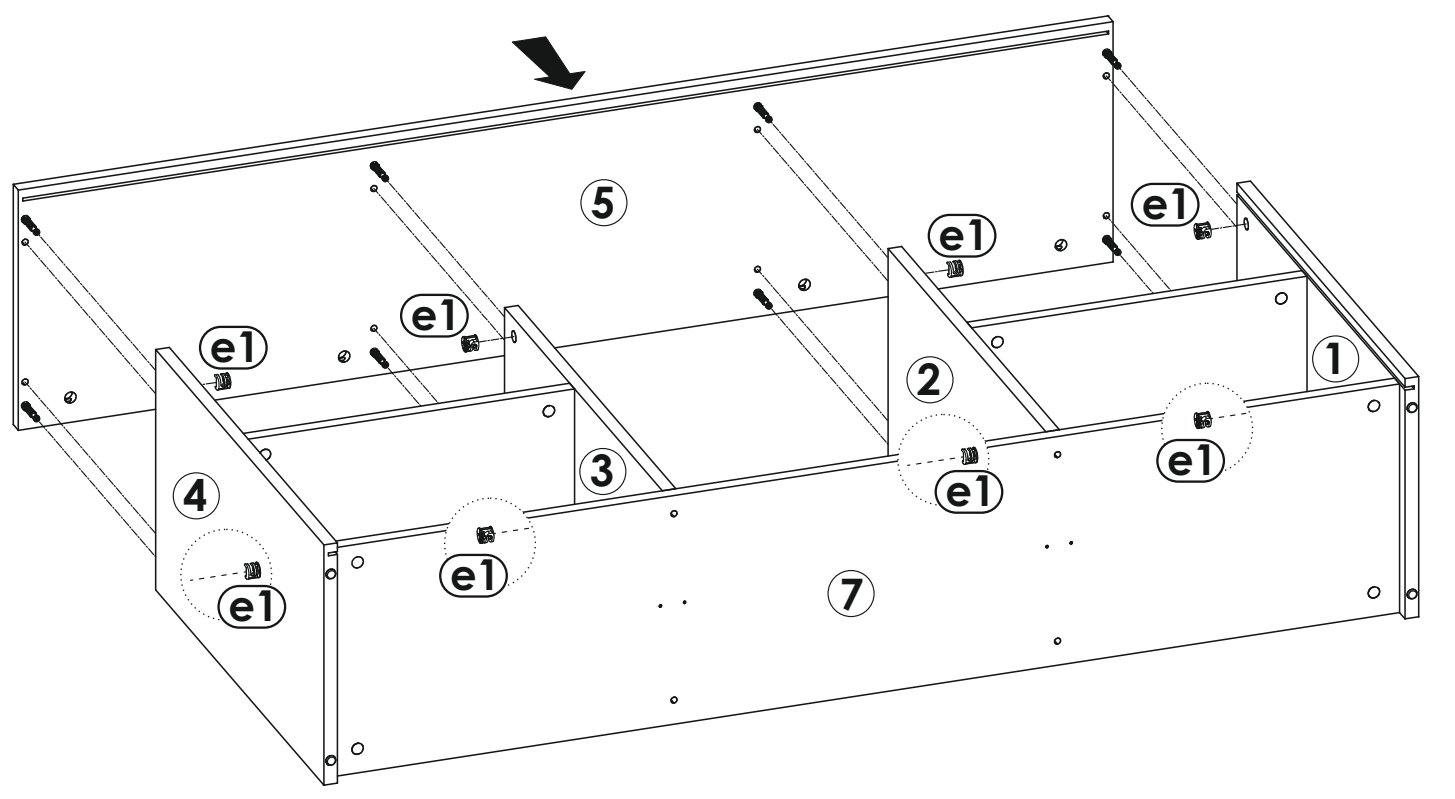
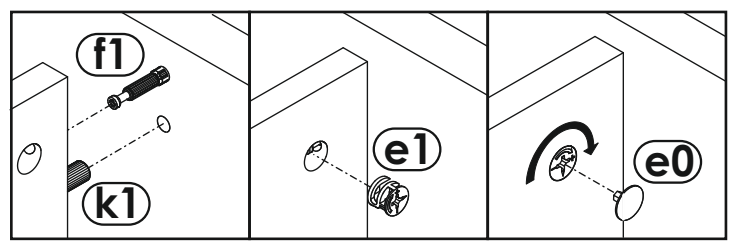
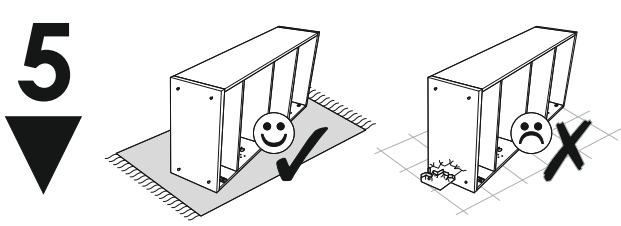
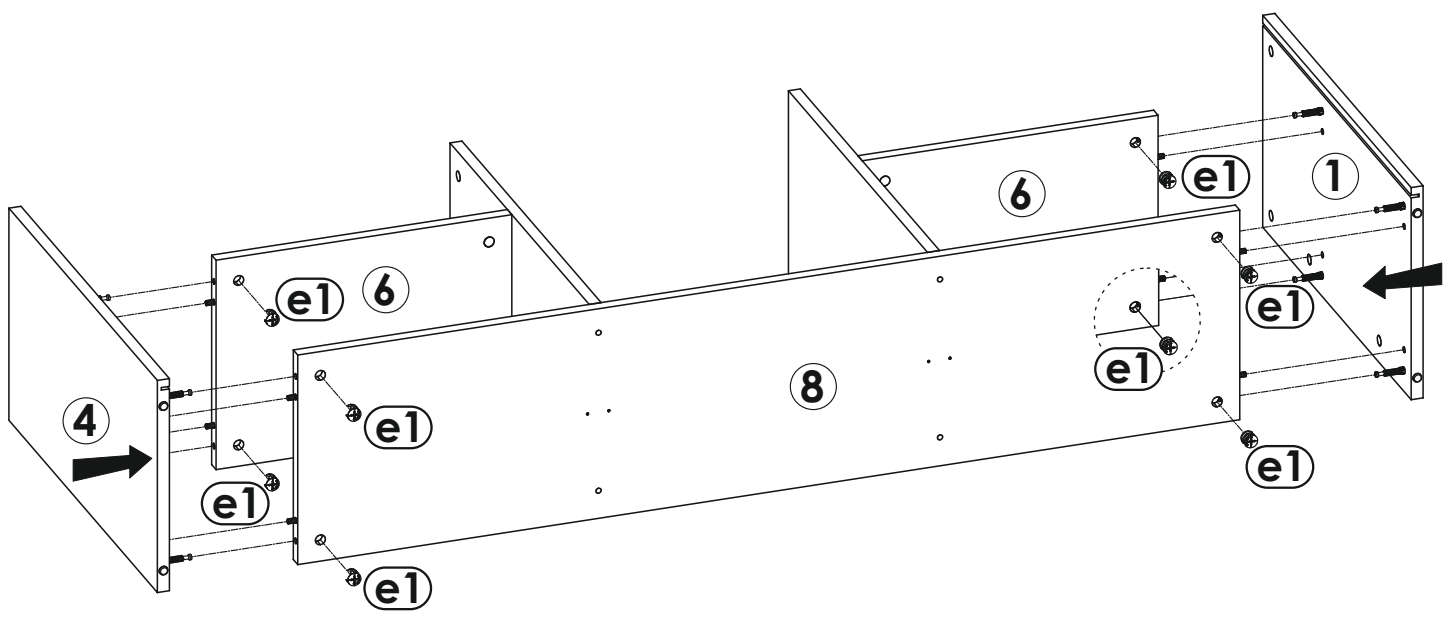
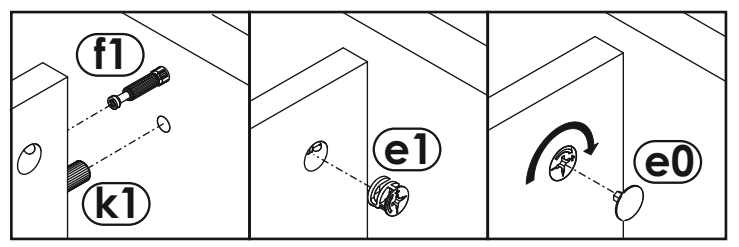
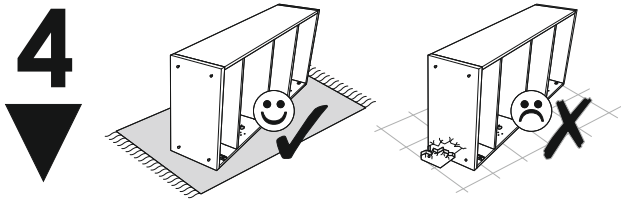


2



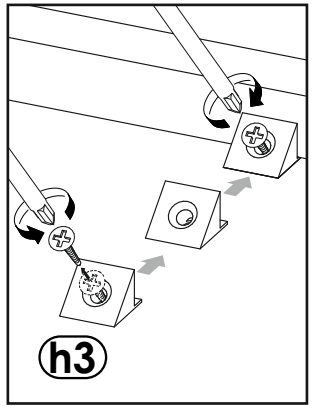
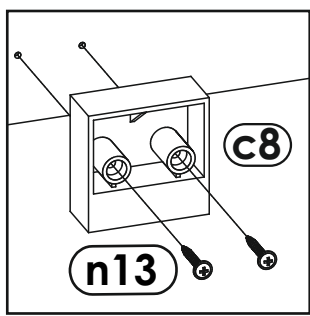
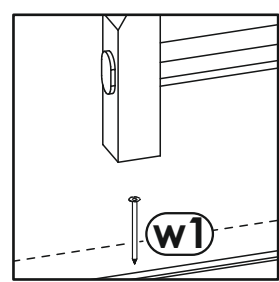
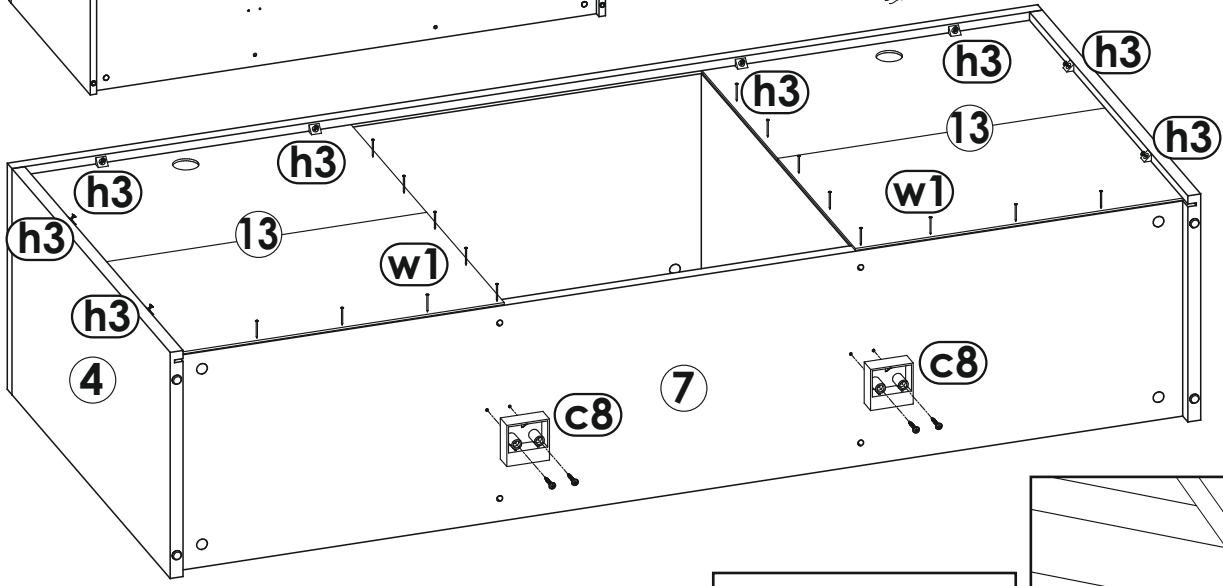
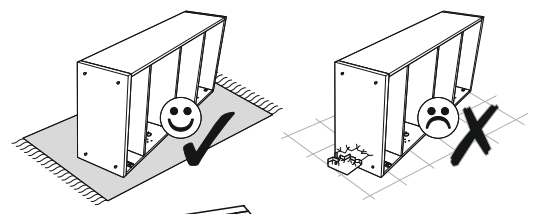
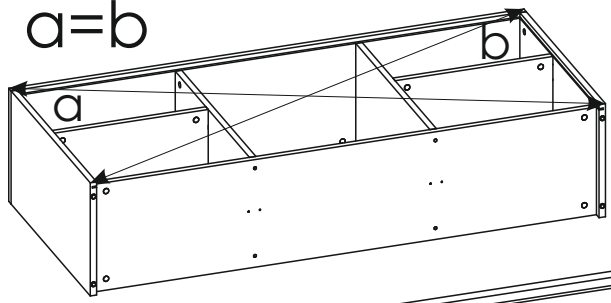
3



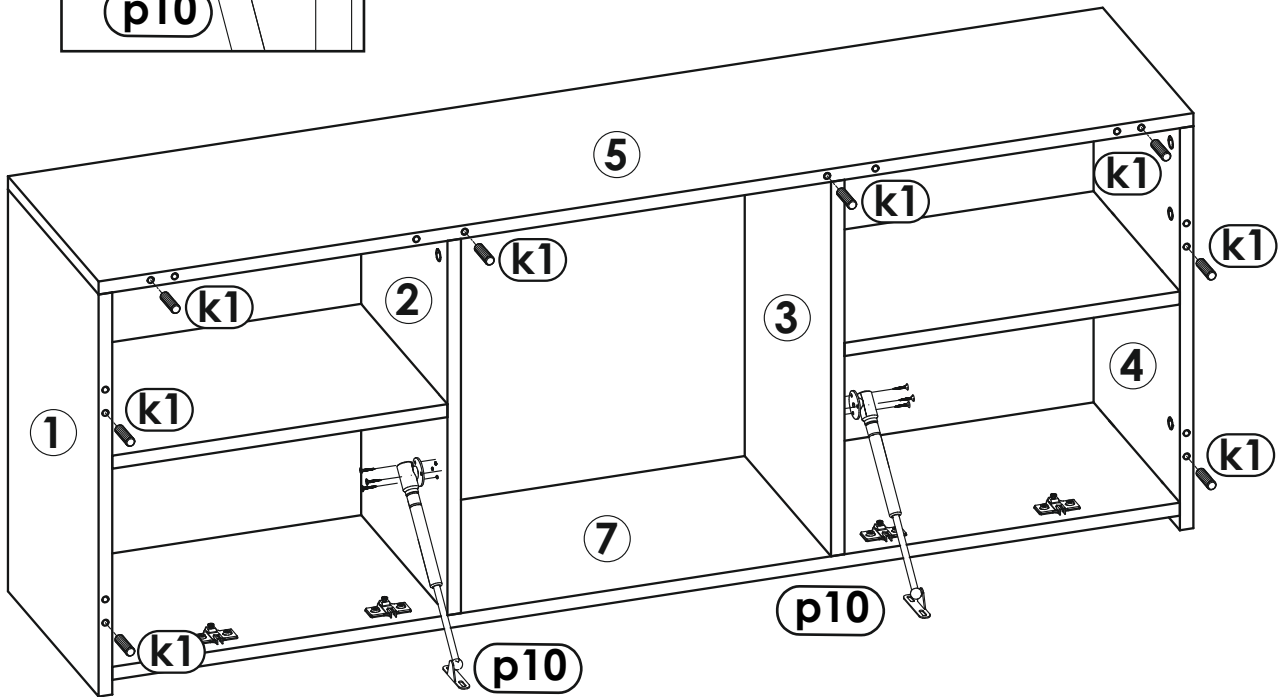
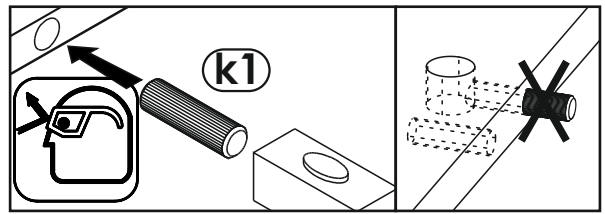
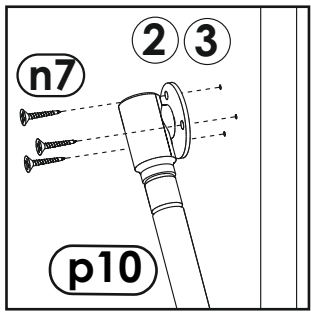


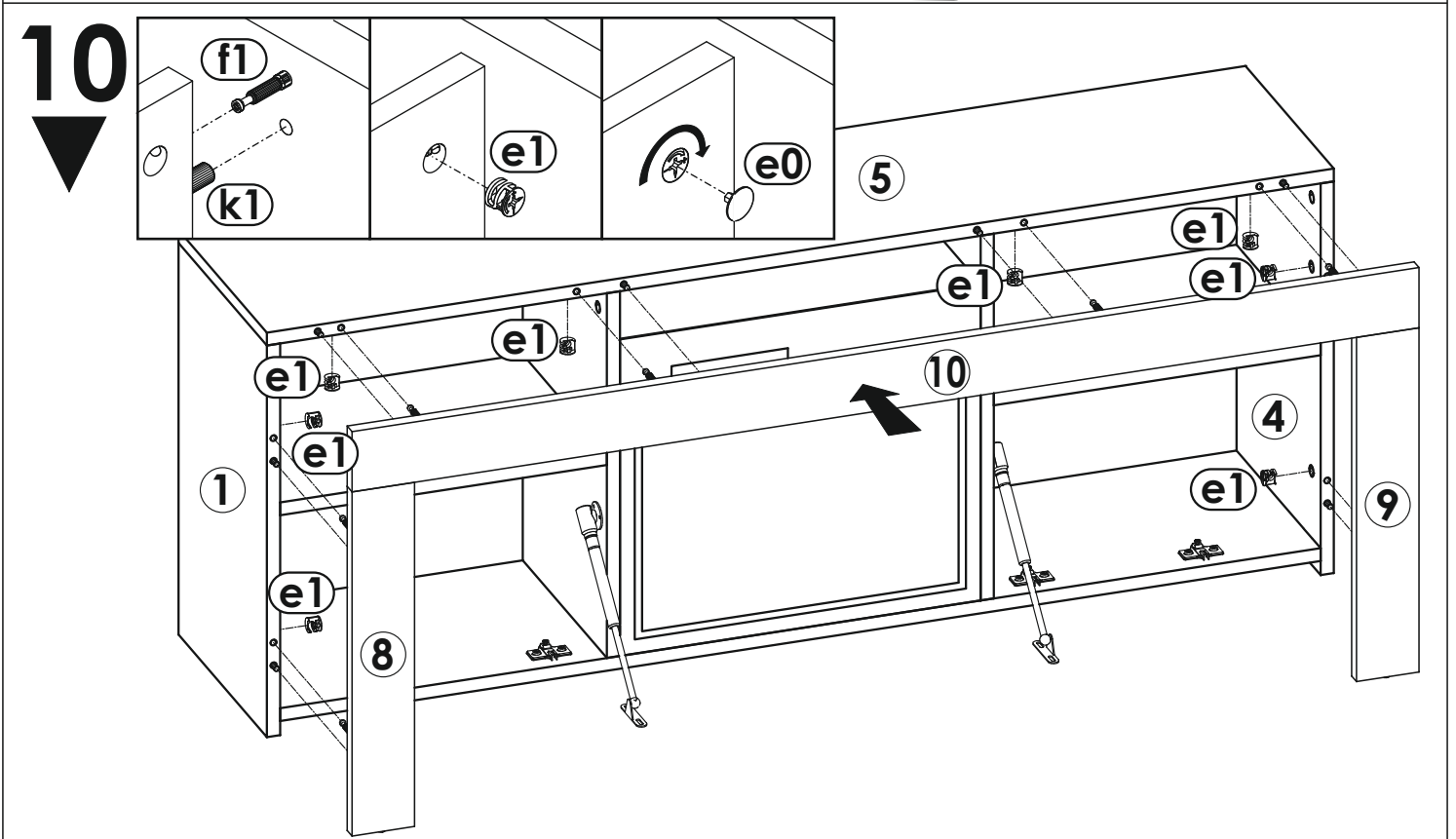
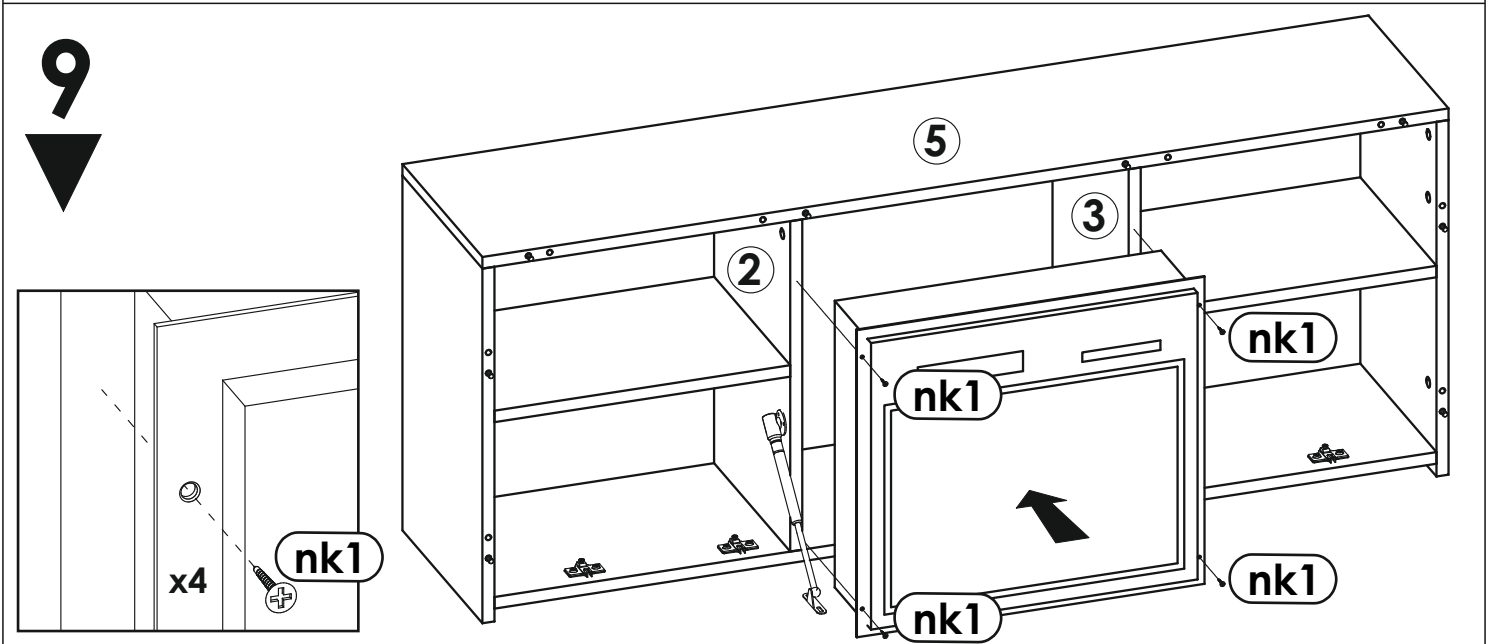
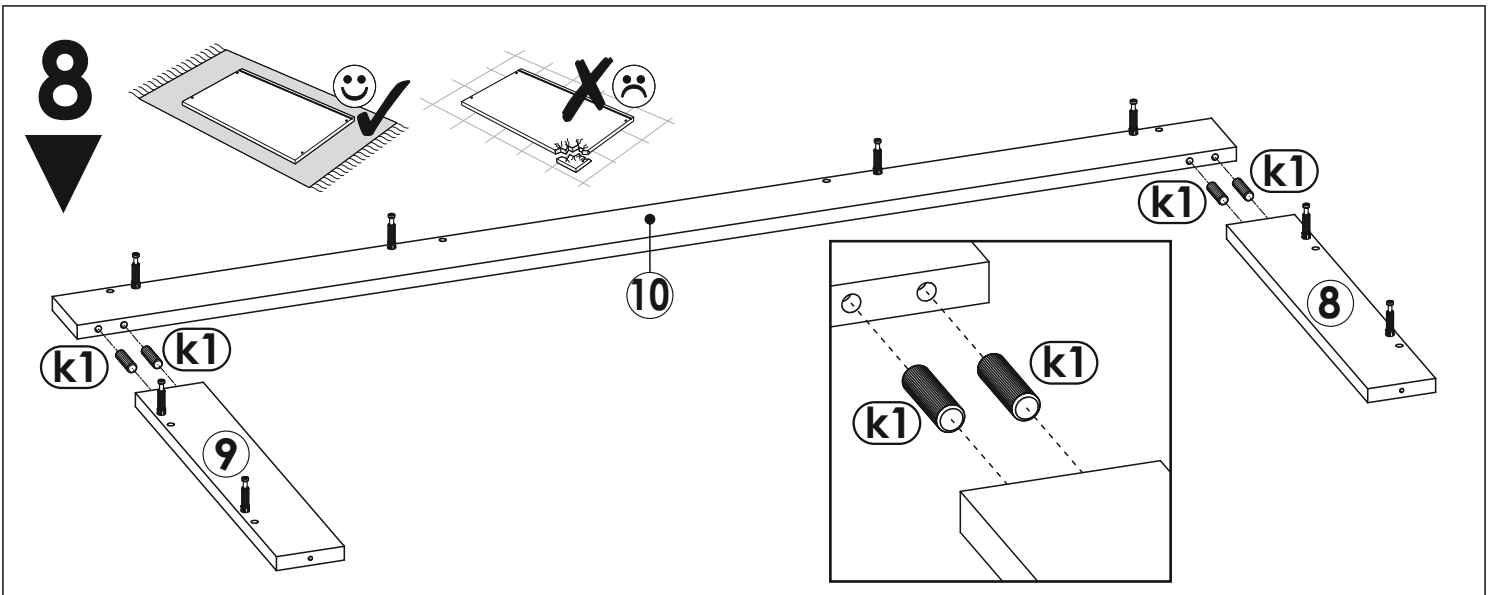
6

a=b

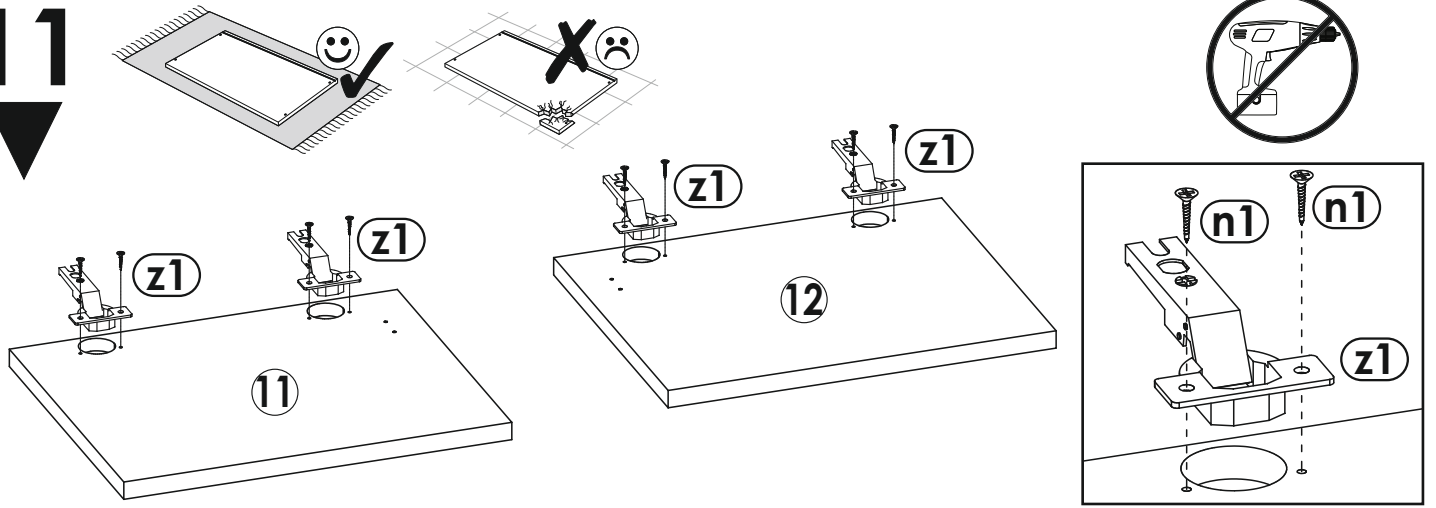


7





11



12

