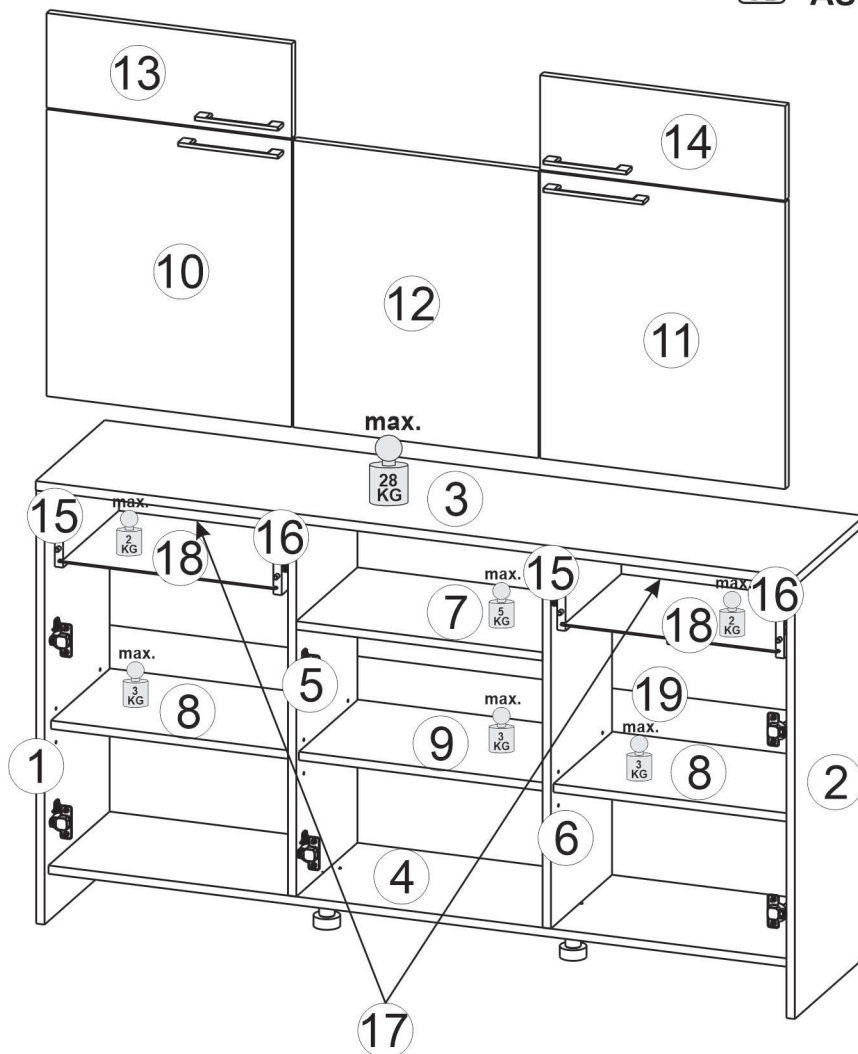
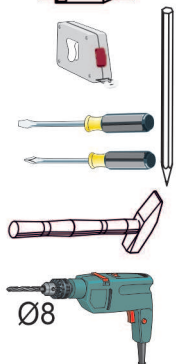


Do montażu potrzebne są:
 Für die Montage dieser Type benötigen Sie:
 Use the following for assembly:



D Sehr geehrter Kunde, sollte ein Teil fehlen oder beschädigt sein, kreuzen Sie bitte dieses deutlich auf der Montageanleitung an und schicken Sie zu uns ab.
GB Dear customer, Should there be any place missing or damaged, kindly mark this place clearly on the attached assembly instructions and return it to us.
PL Szanowny Kliencie, gdyby brakowało jakiejś części lub byłaby uszkodzona proszę to oznaczyć krzyżykiem na instrukcji montażowej i przesłać instrukcję razem z reklamacją.



BAG 1

K2 x20	T1 x20	M1 x20	S10 3x18 x7	W2 x12	P2 UP 3,5x18 x20	S9 x4	K11 x12	K7 x1	Z2 x8
----------------------	----------------------	----------------------	------------------------------	----------------------	-----------------------------------	---------------------	-----------------------	---------------------	---------------------

BAG 2

B1 x2	E1 UP 3,5x13 x16	P2 UP 3,5x18 x8
---------------------	-----------------------------------	----------------------------------

BAG 3

U1 128 x2	U2 160 x2	W11 4x25 x8
----------------------------	----------------------------	------------------------------

BAG 4

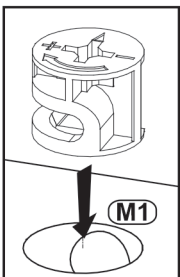
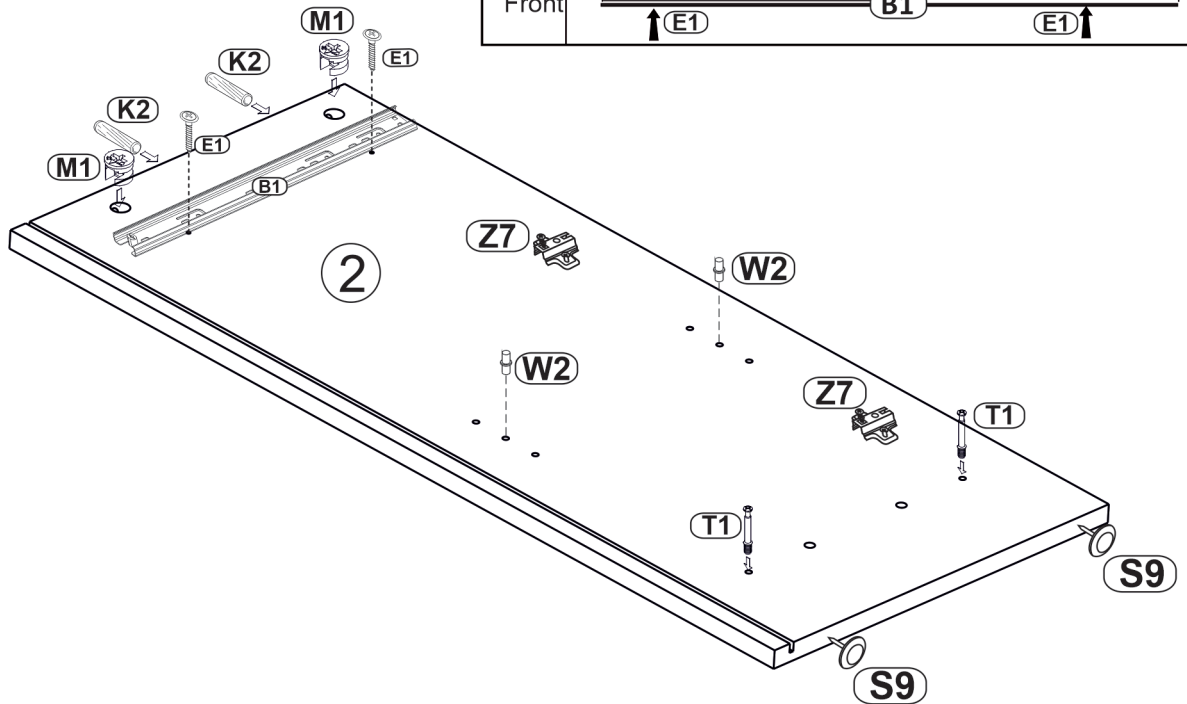
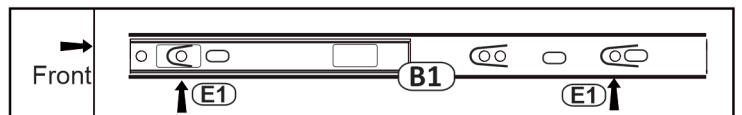
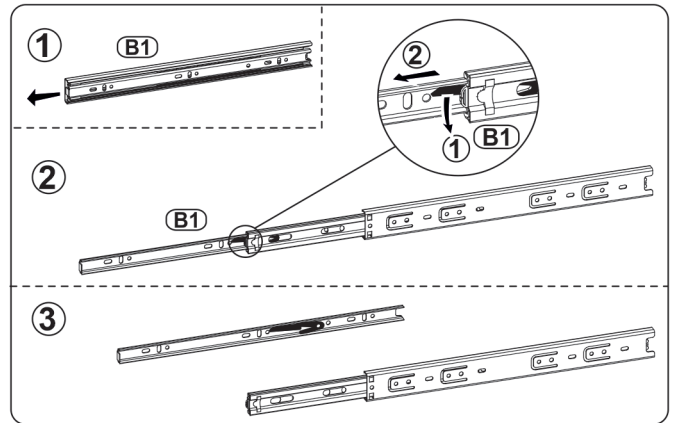
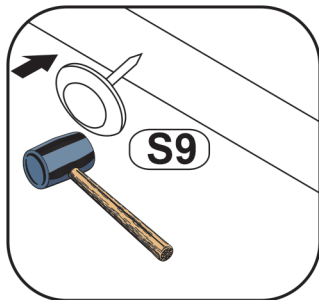
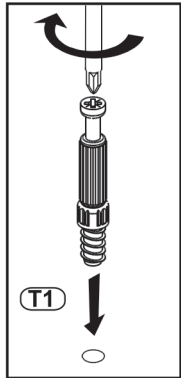
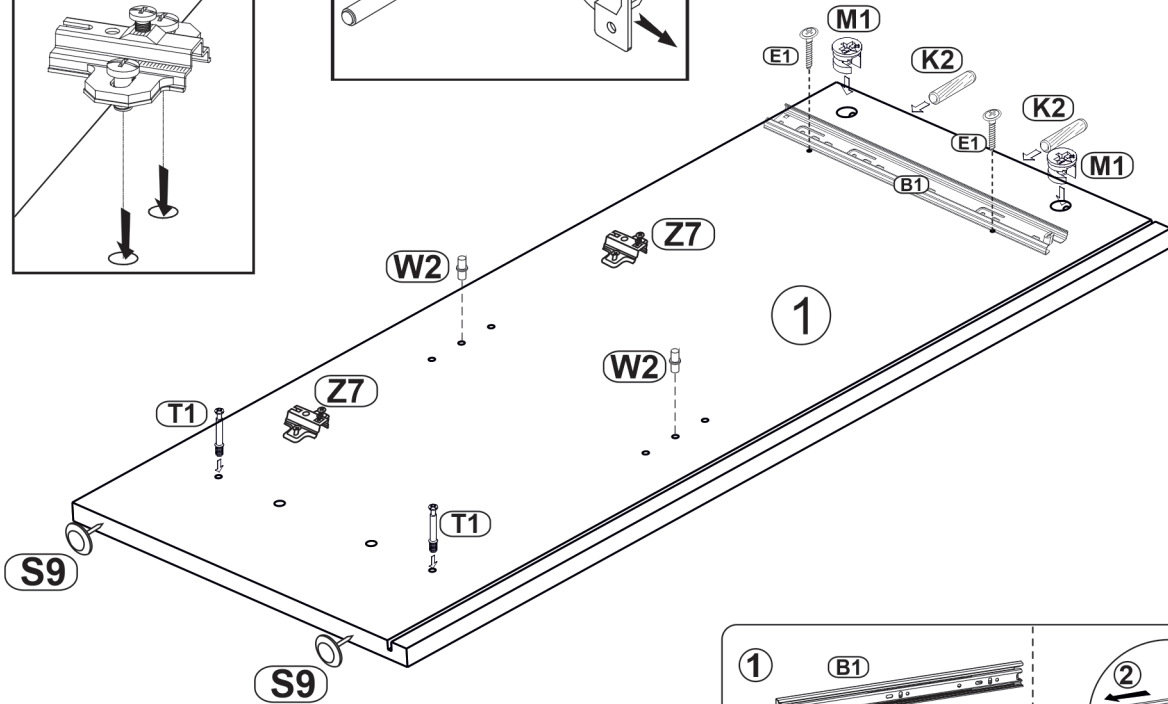
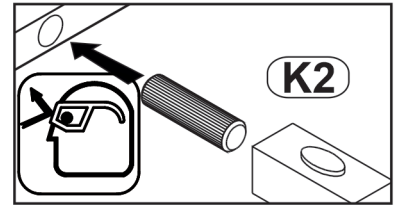
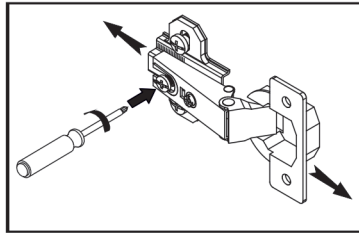
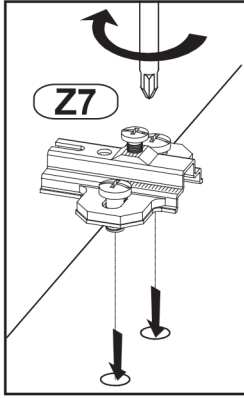
Z7 x6	S3 4x13 x20
---------------------	------------------------------

BAG 5

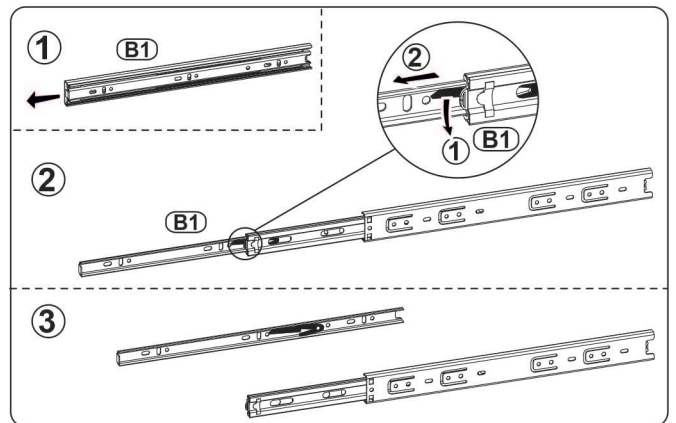
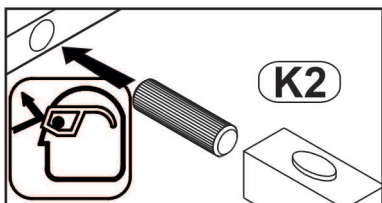
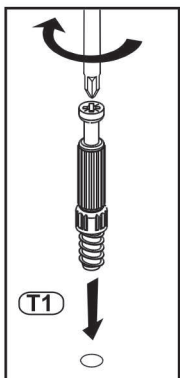
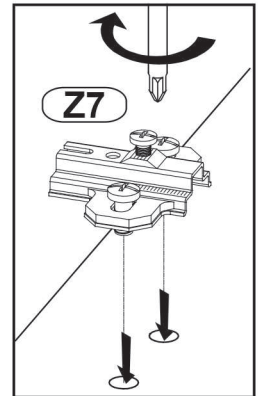
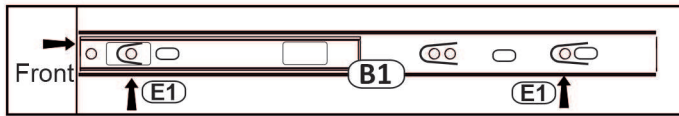
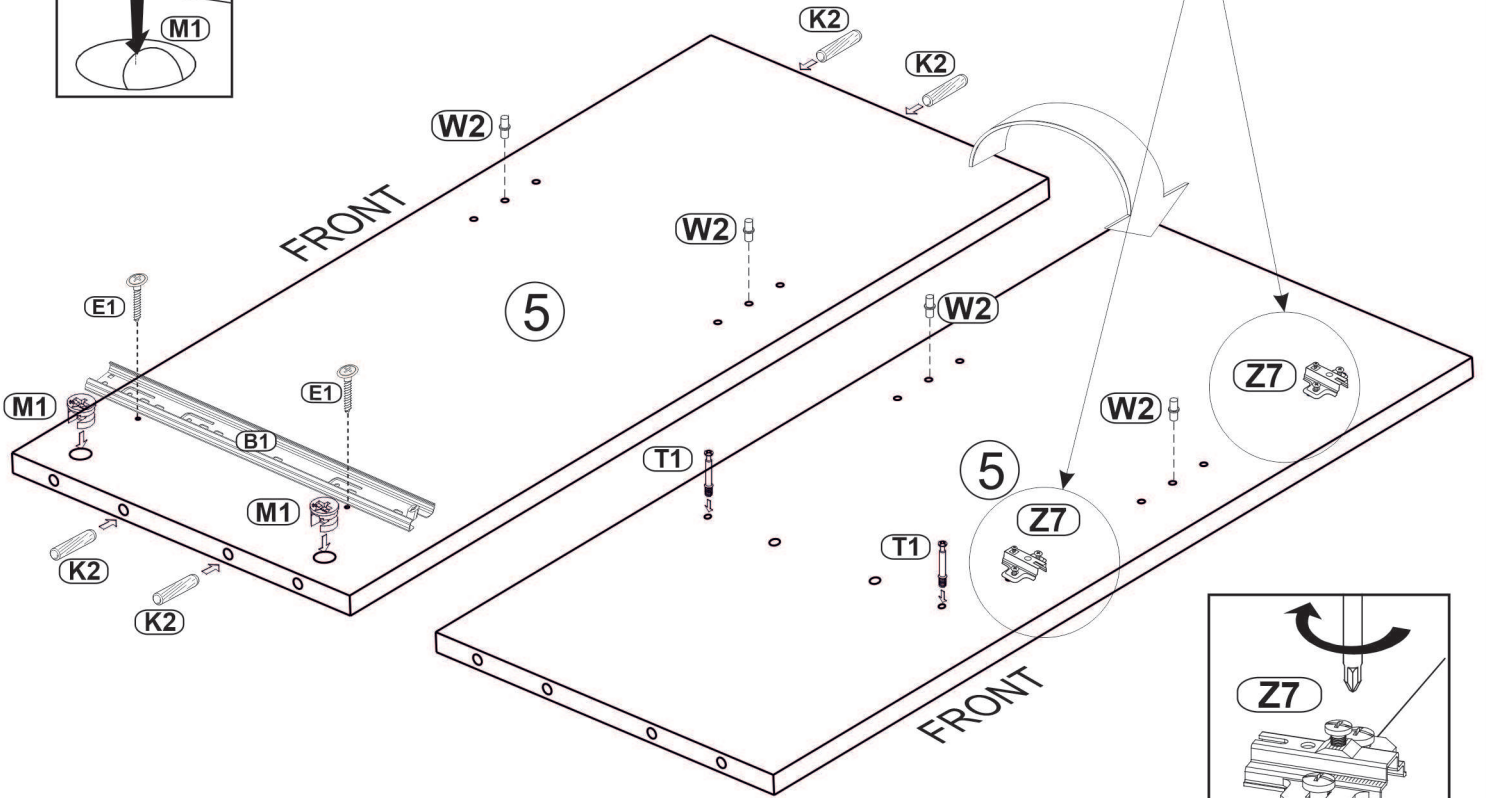
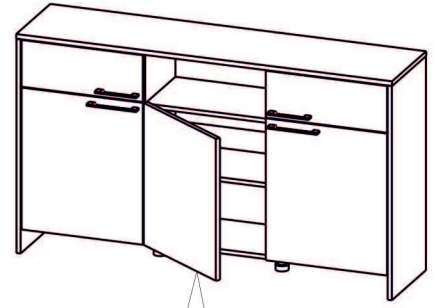
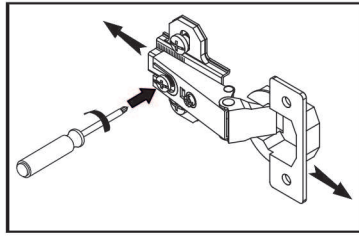
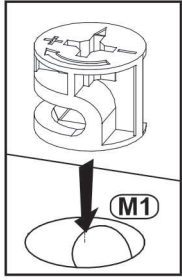
B5 x1

F1 x2

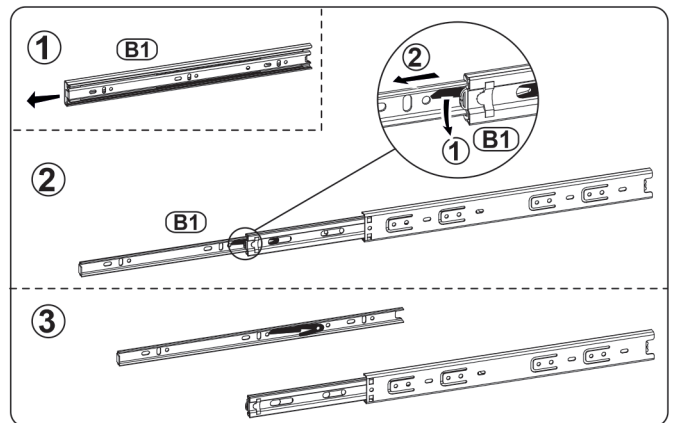
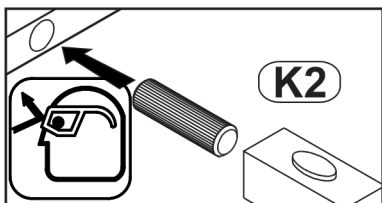
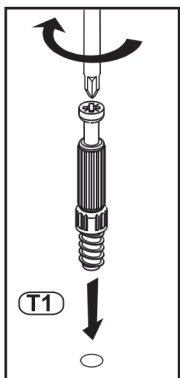
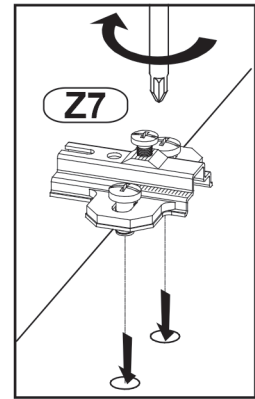
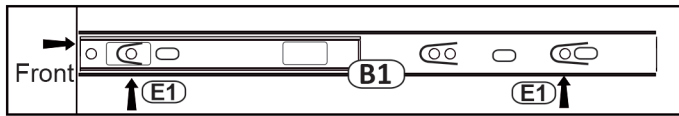
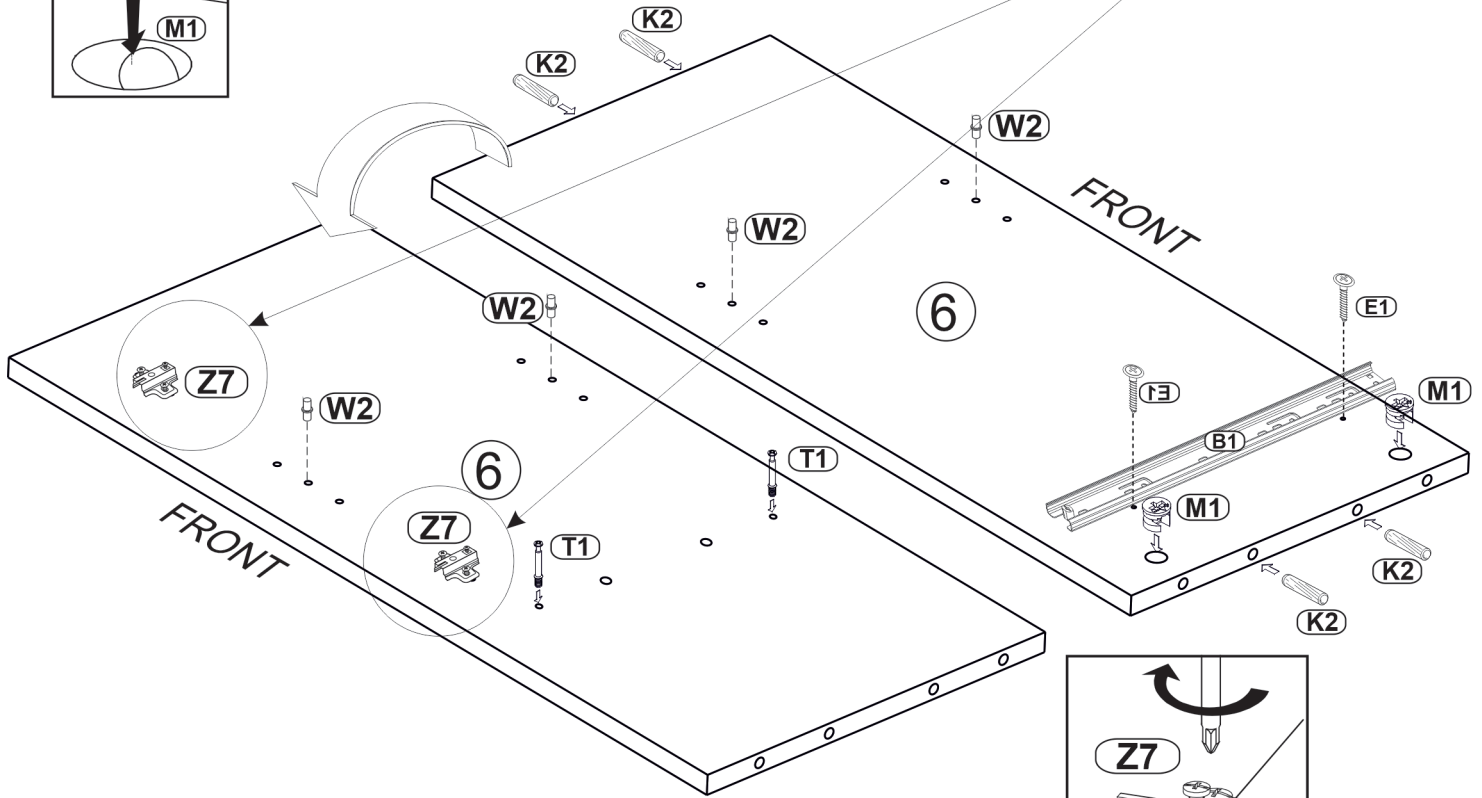
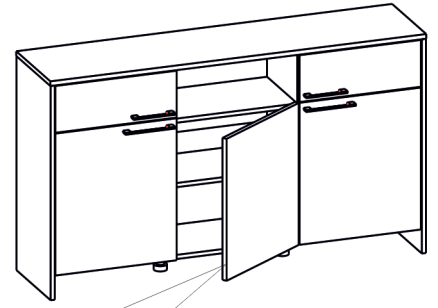
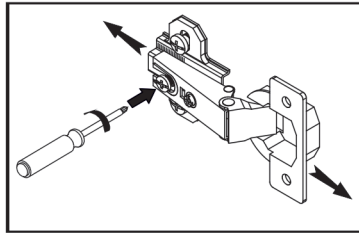
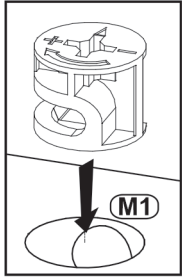
1



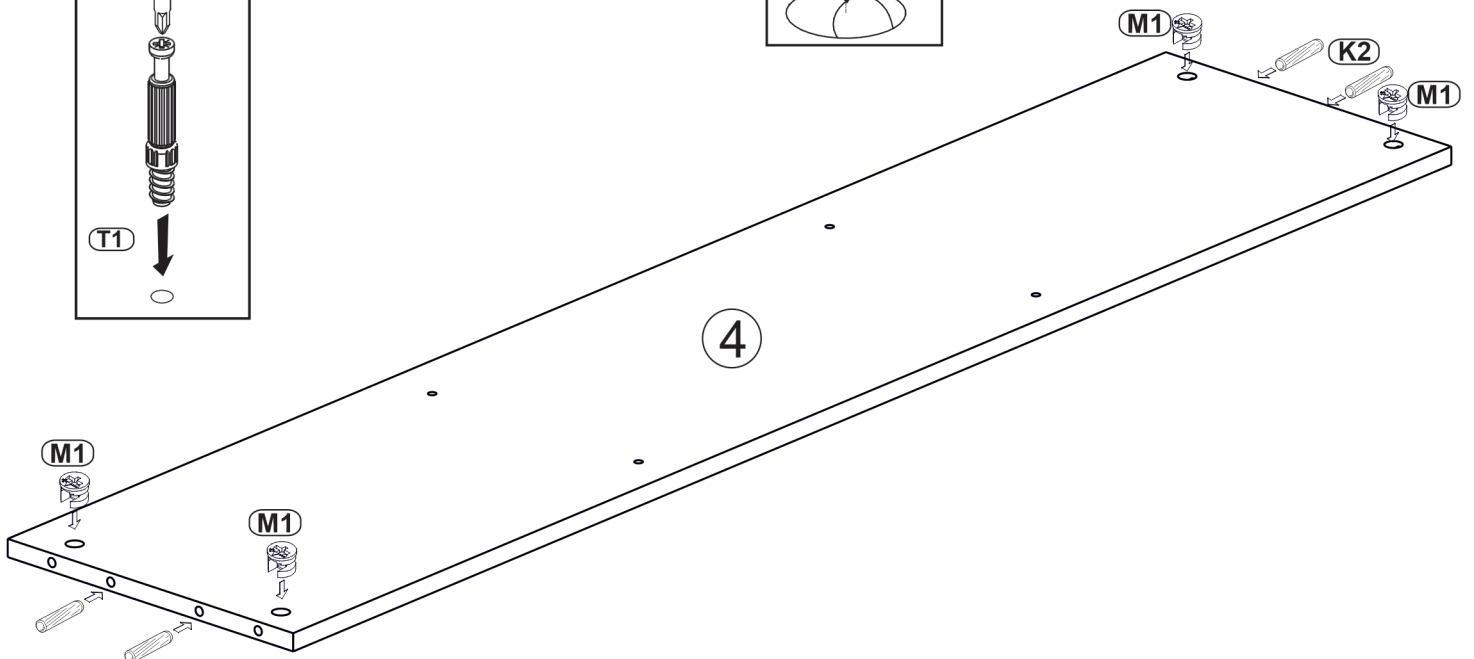
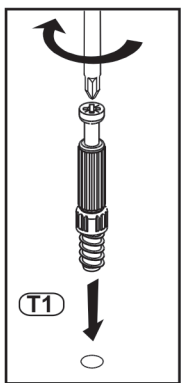
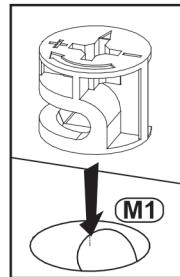
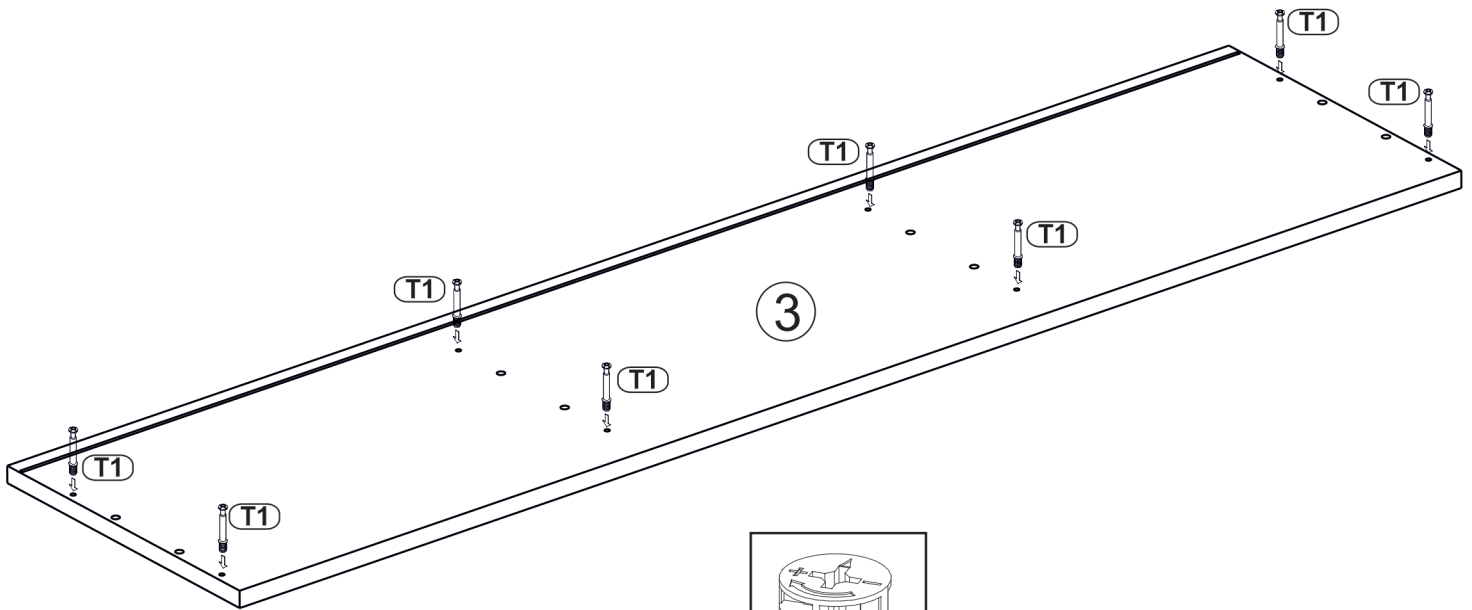
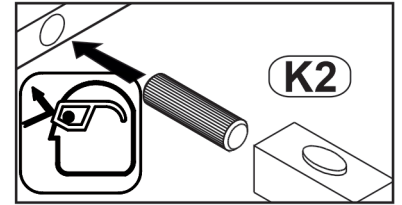
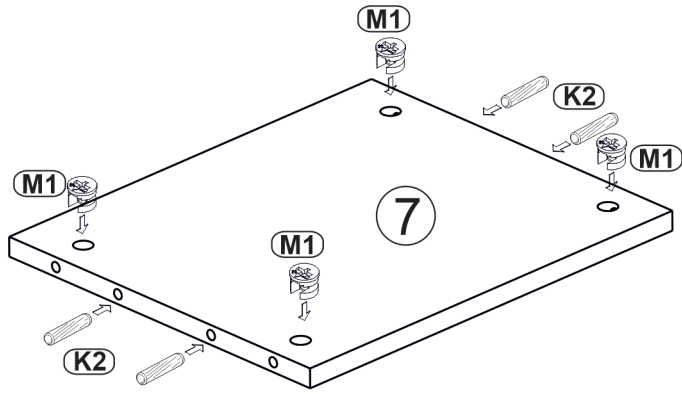
2



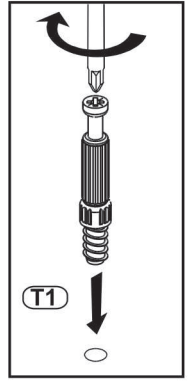
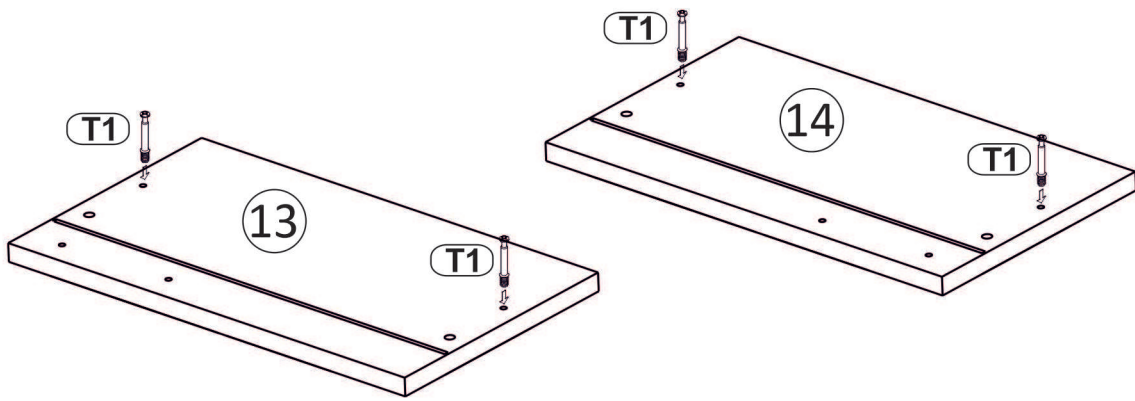
3



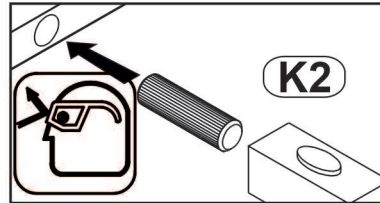
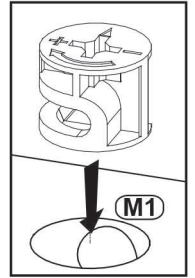
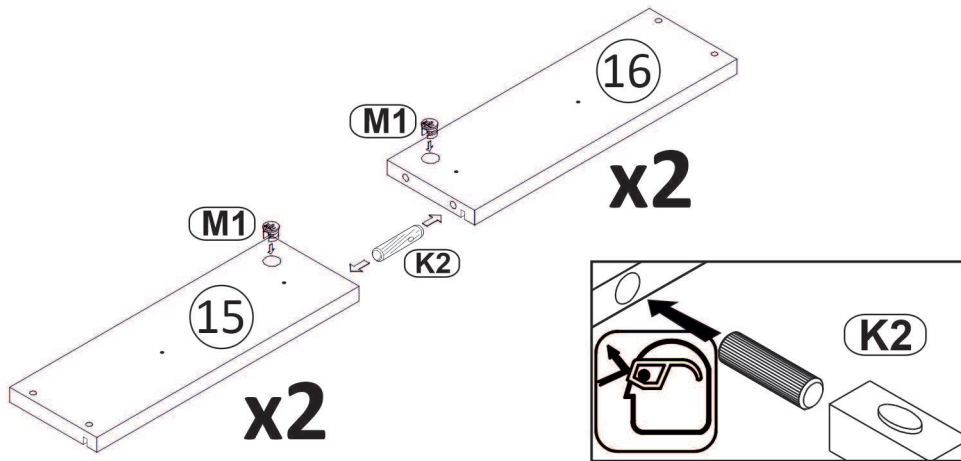
4



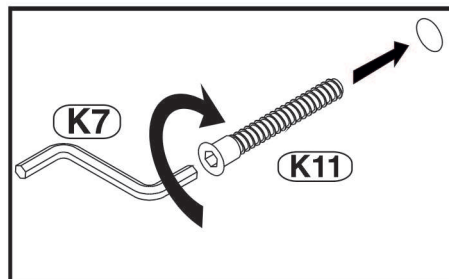
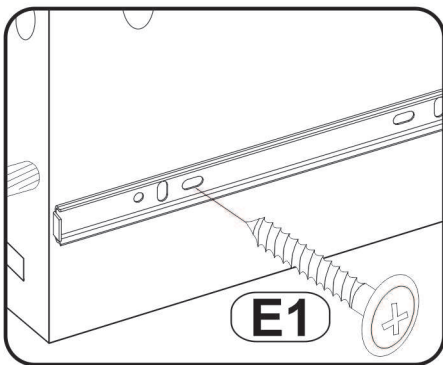
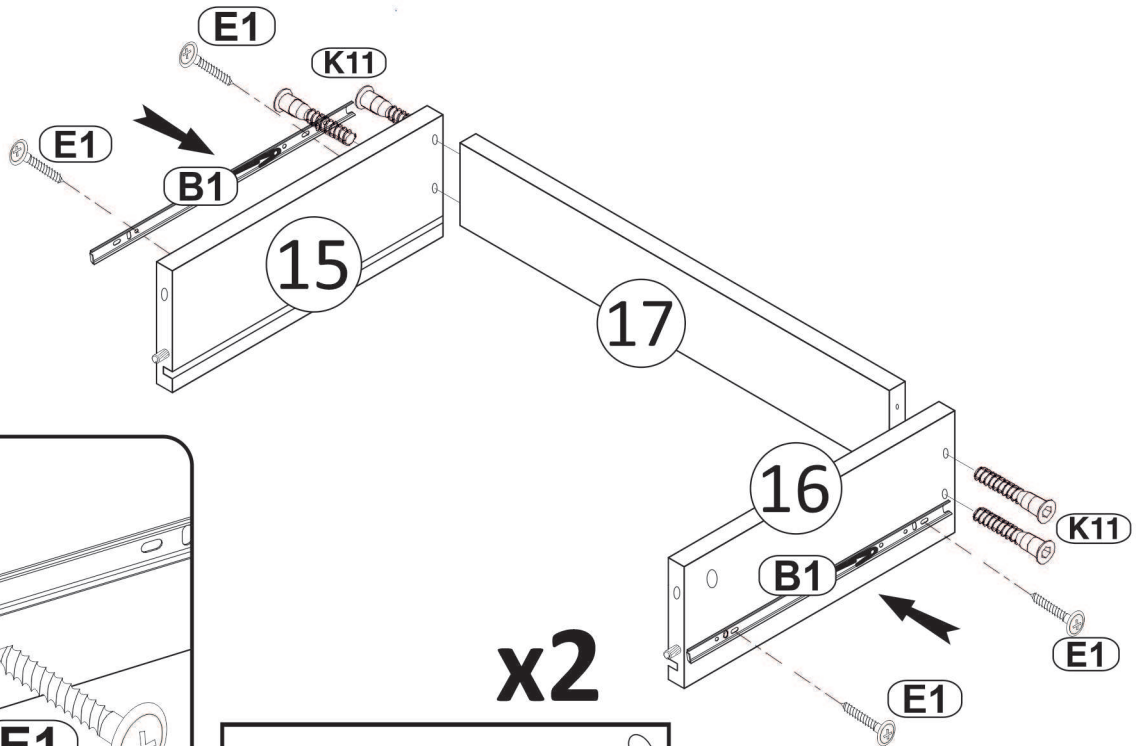
5



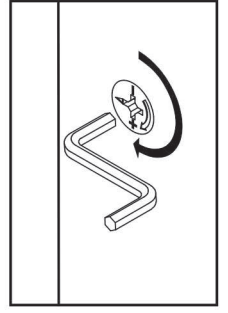
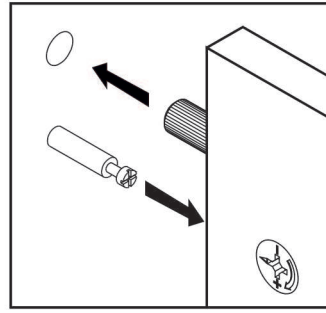
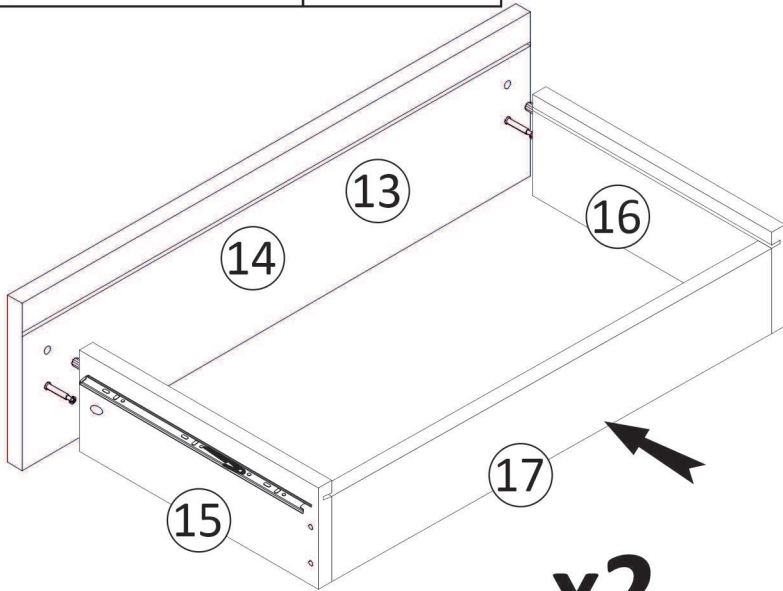
6



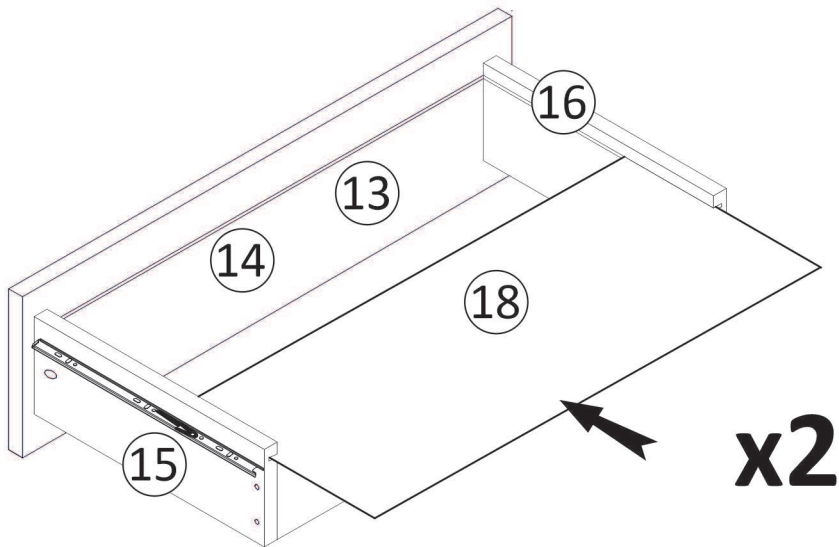
7



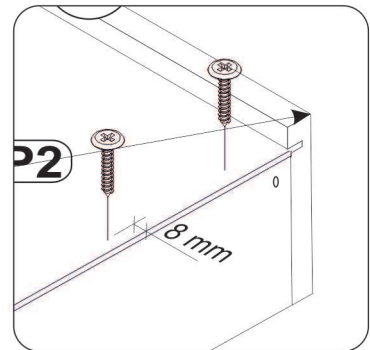
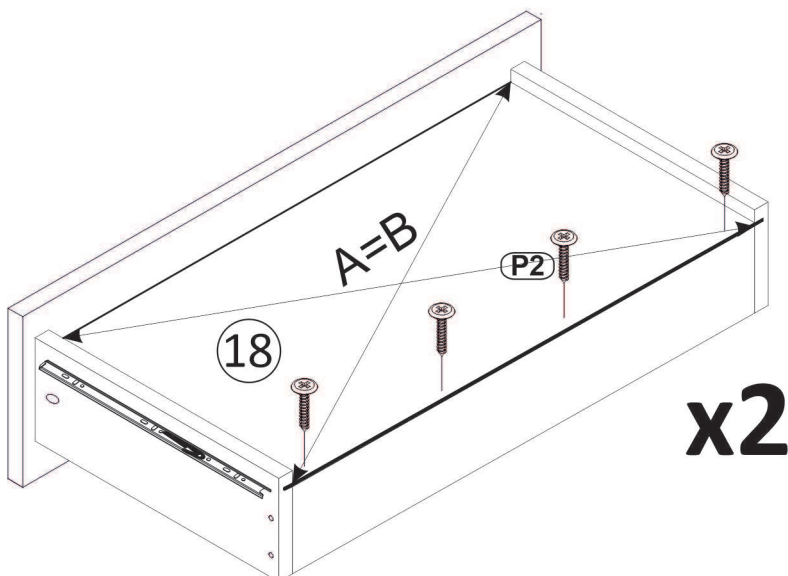
8



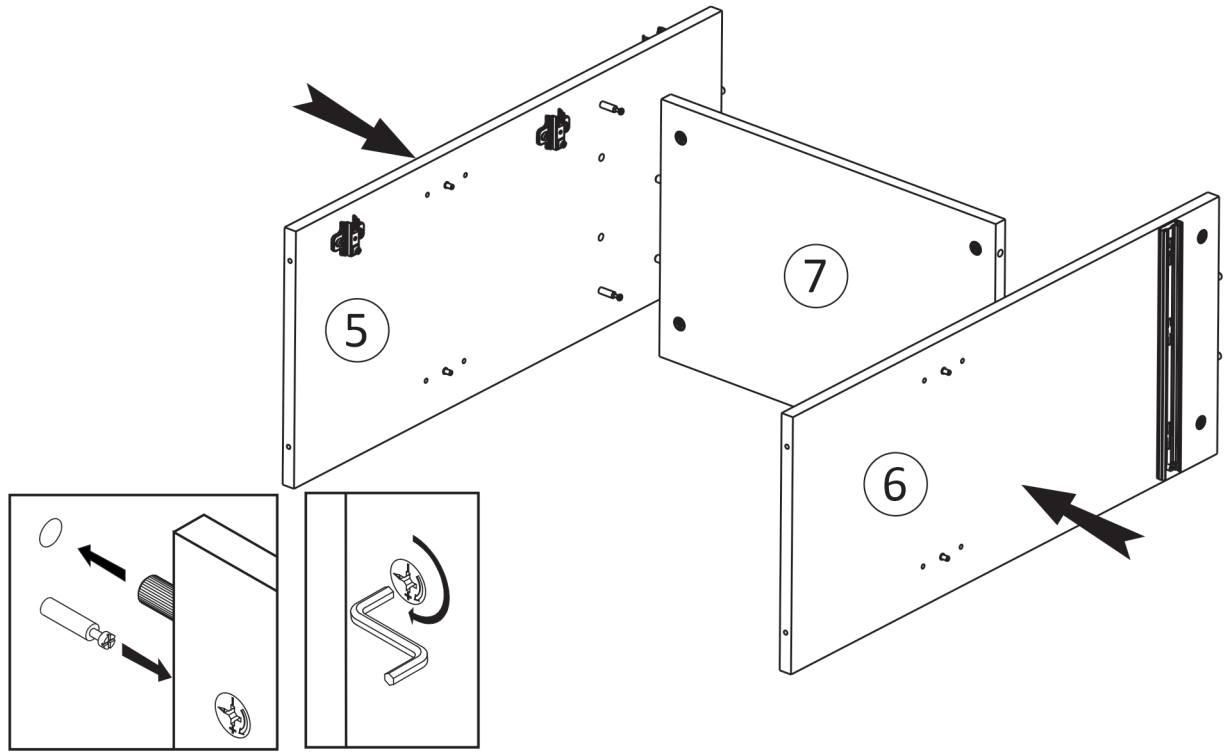
9



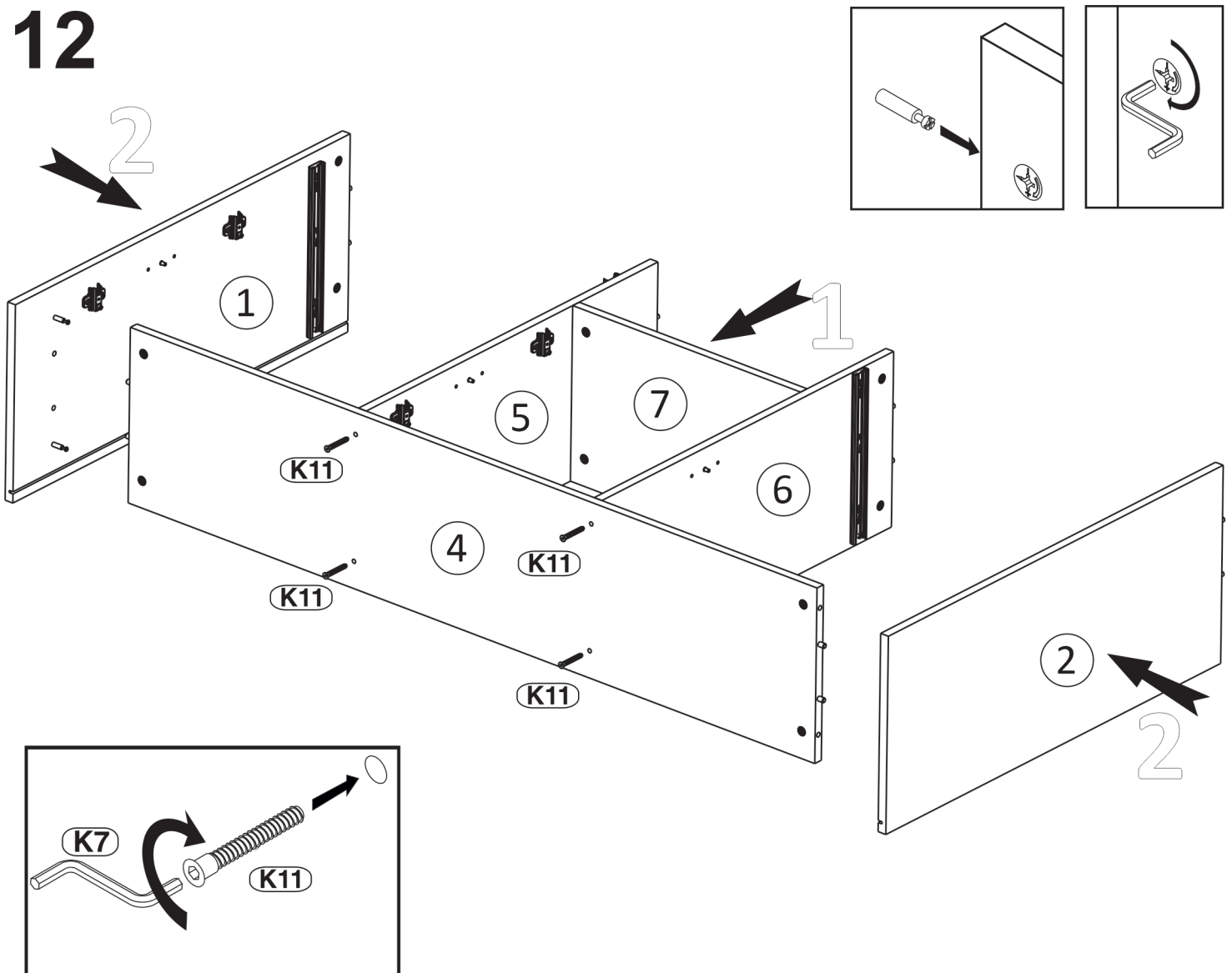
10



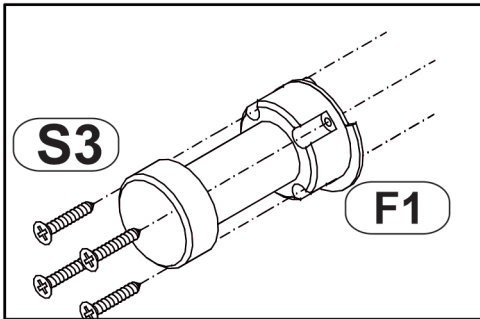
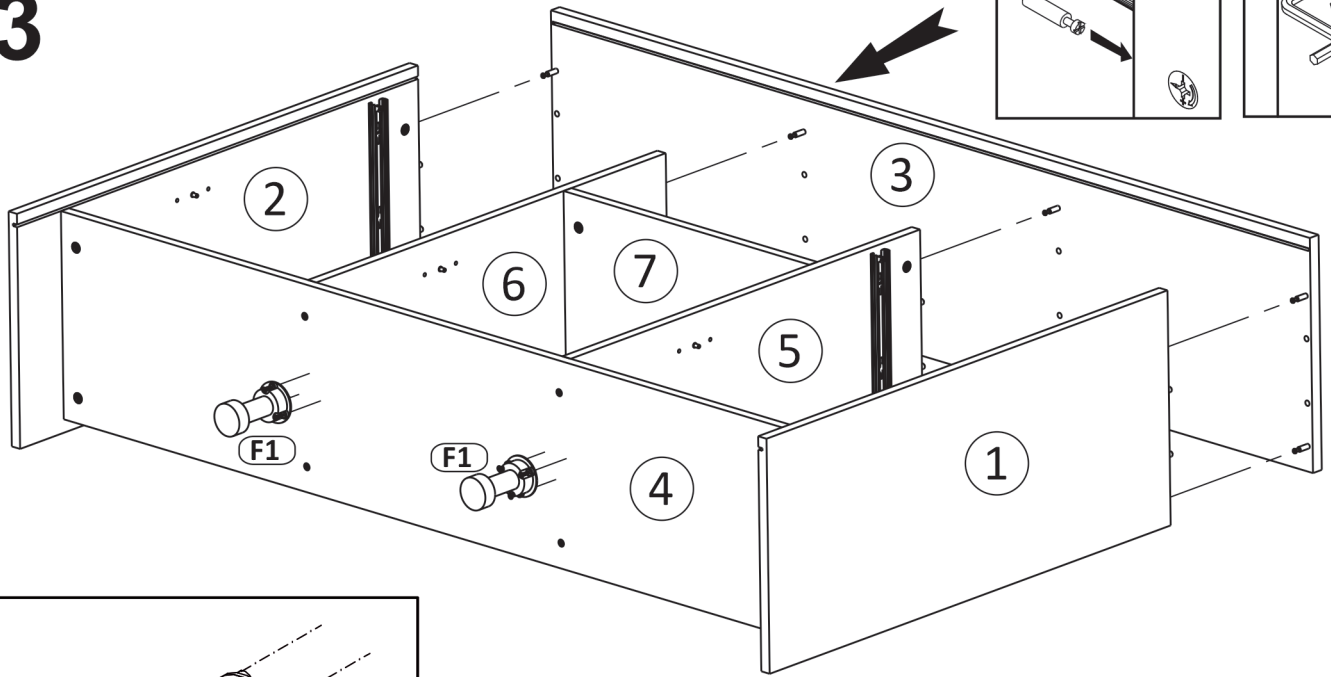
11



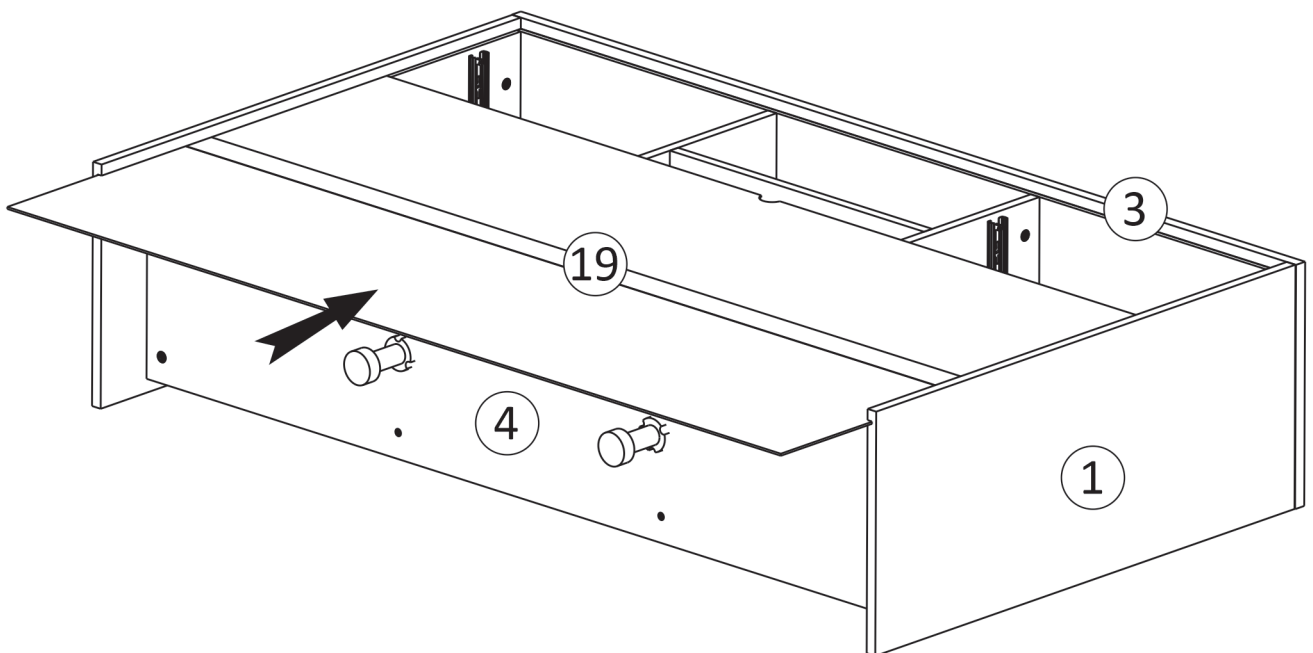
12



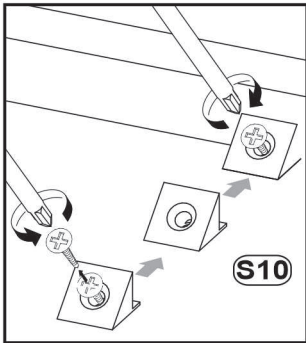
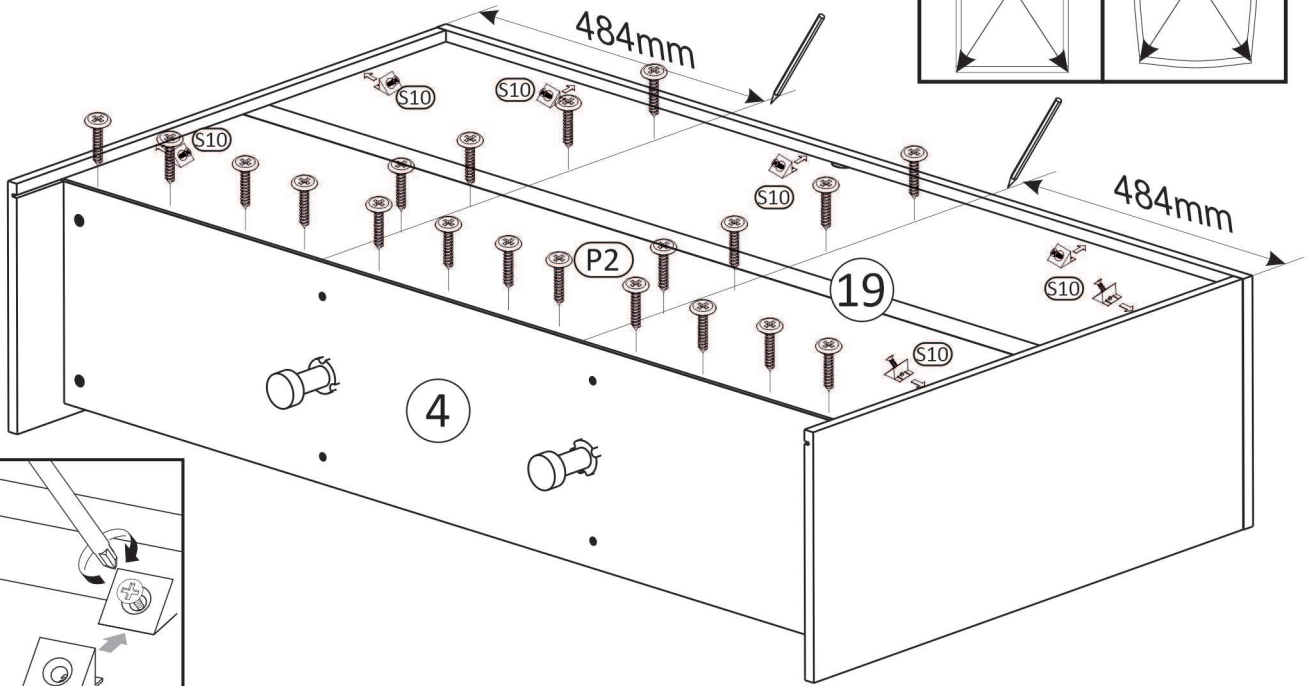
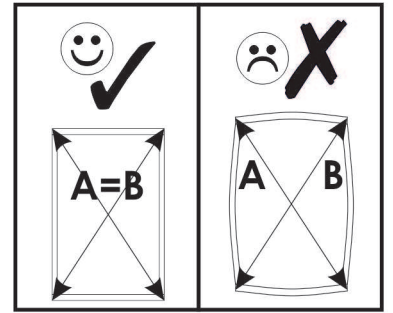
13



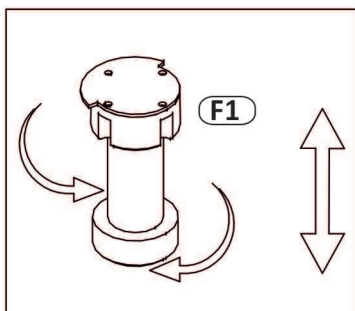
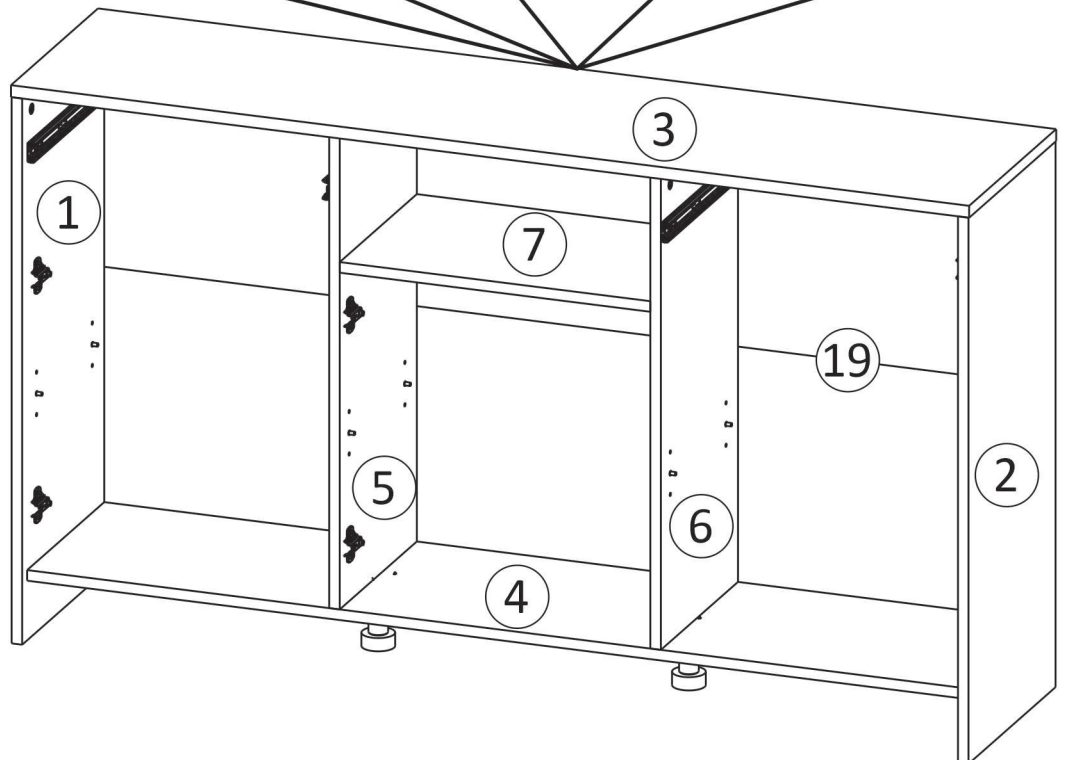
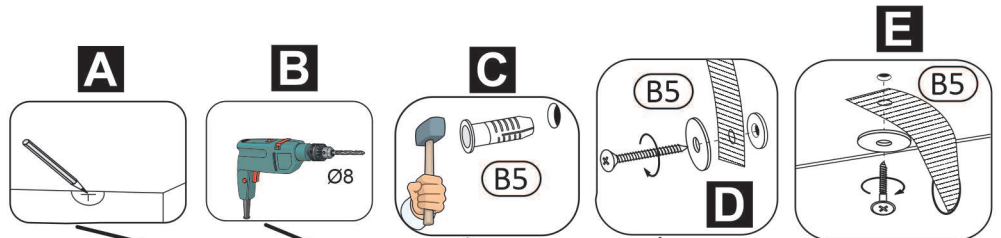
14



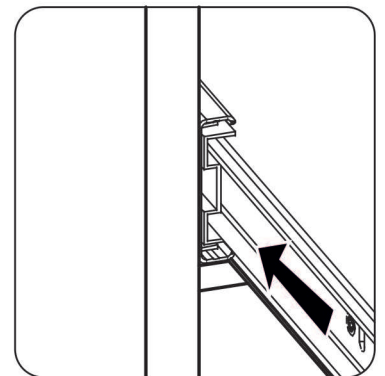
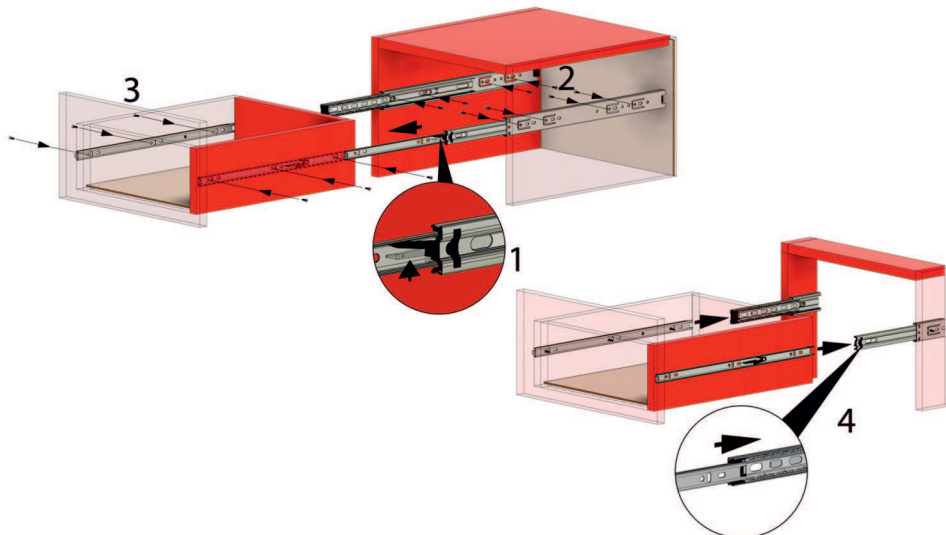
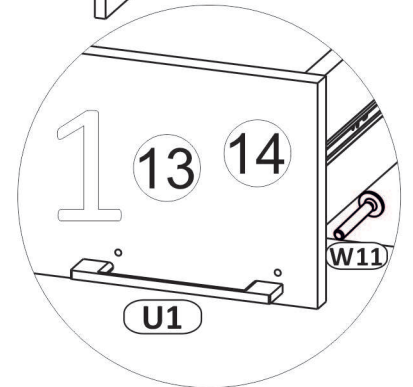
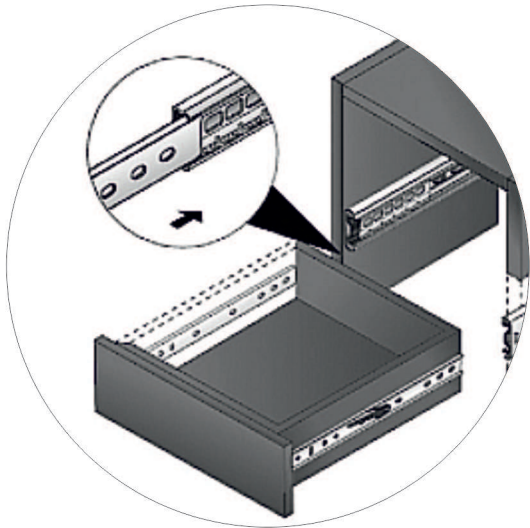
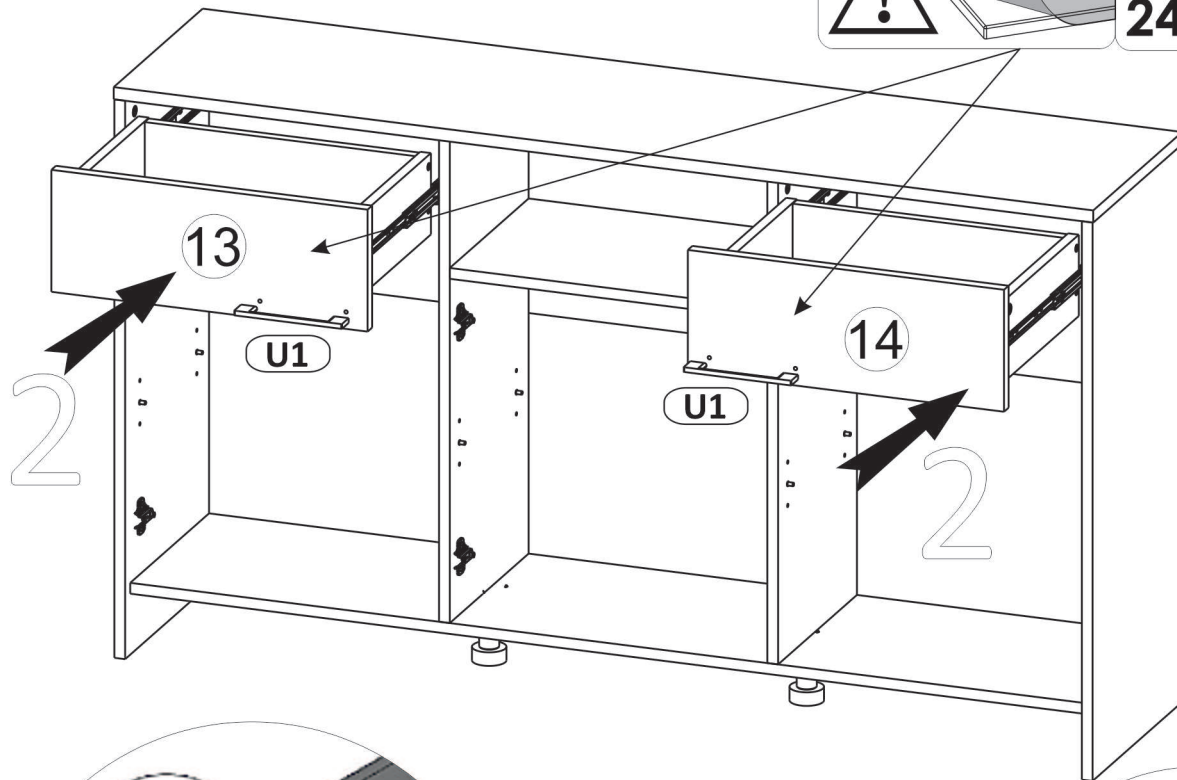
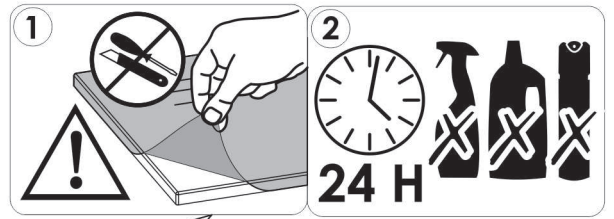
15



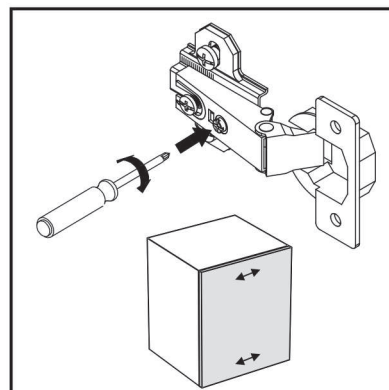
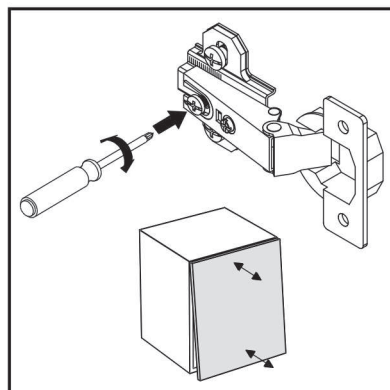
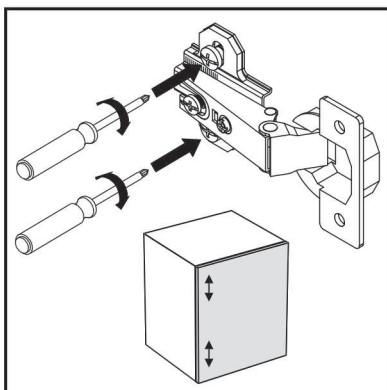
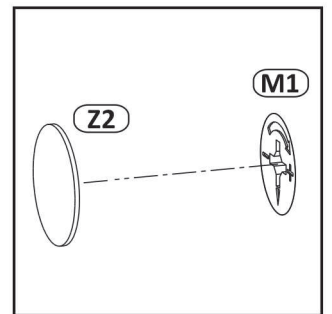
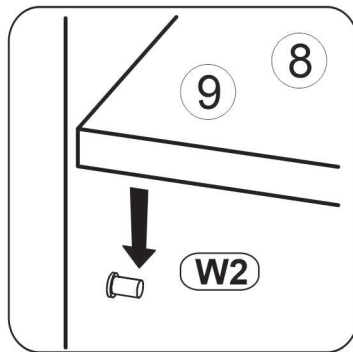
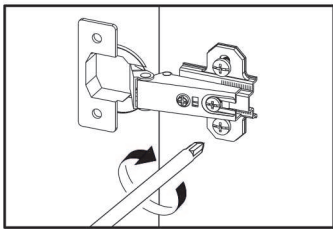
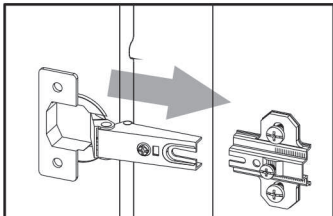
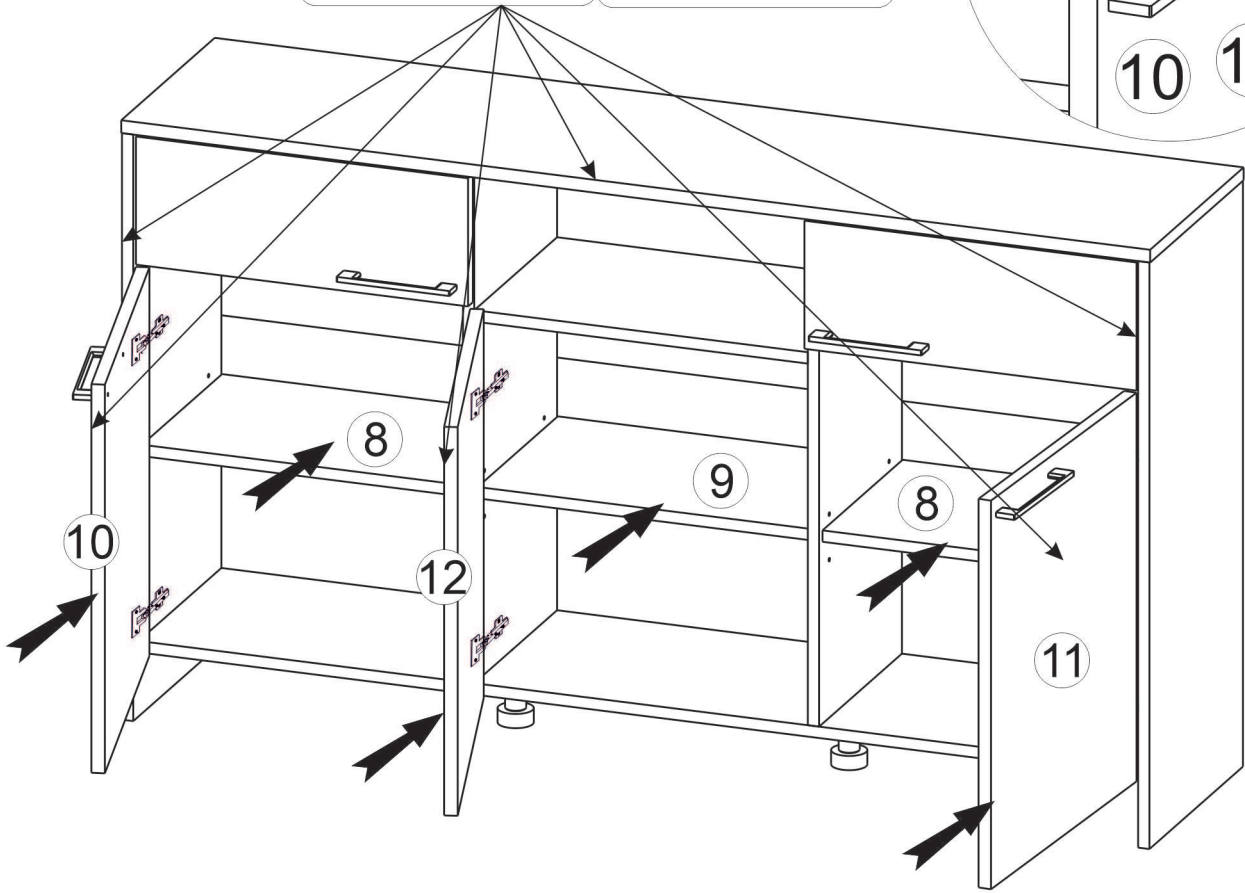
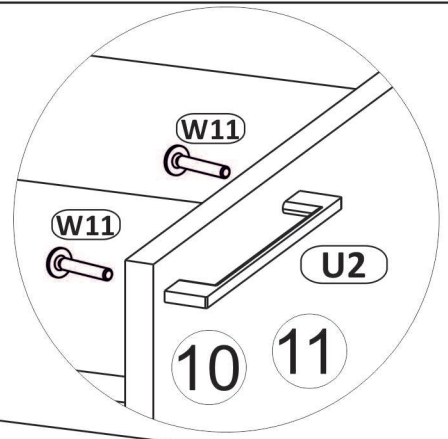
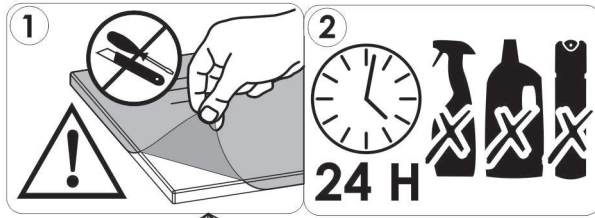
16



17



18



Claim your extended 90 day product warranty by registering your product at www.meblefurniture.com/register

**ATTENTION: DO NOT RETURN THIS PRODUCT!!!
PLEASE READ THE FOLLOWING!!!**

FOR REPLACEMENT/MISSING PARTS:

www.meblefurniture.com/parts

**FOR INSTRUCTION/ASSEMBLY MANUALS
AND VIDEOS:**

www.meblefurniture.com/assembly

ALL OTHER INQUIRIES:

help@meblefurniture.com

**IF YOU ARE MISSING PARTS OR YOUR
PRODUCT ARRIVED DAMAGED:**

Please fill out a parts request form at
www.meblefurniture.com/parts

Replacement parts are shipped out in one business day. You will receive a tracking number via email once your parts request has been processed.

**IF YOU ARE MISSING AN INSTRUCTION
MANUAL OR NEED ASSEMBLY HELP:**

Please visit www.meblefurniture.com/assembly to access our library of product assembly videos or to download product instruction manuals.

**NOTICE REGARDING HIGH GLOSS
PROTECTIVE FOIL AND PRODUCT CARE:**

After removing the protective foil from the gloss fronts, the acrylic surface of the boards is still soft and easy to scratch. With air contact, the hygroscopic acrylic layer hardens, and the board becomes more resistant to scratches. It takes approximately 48 hours for the acrylic layer of the board to fully harden.

**DO NOT CLEAN, WIPE, OR POLISH THE
ACRYLIC FRONTS FOR 48 HOURS AFTER
REMOVING THE PROTECTIVE FOIL!!!**



help@meblefurniture.com