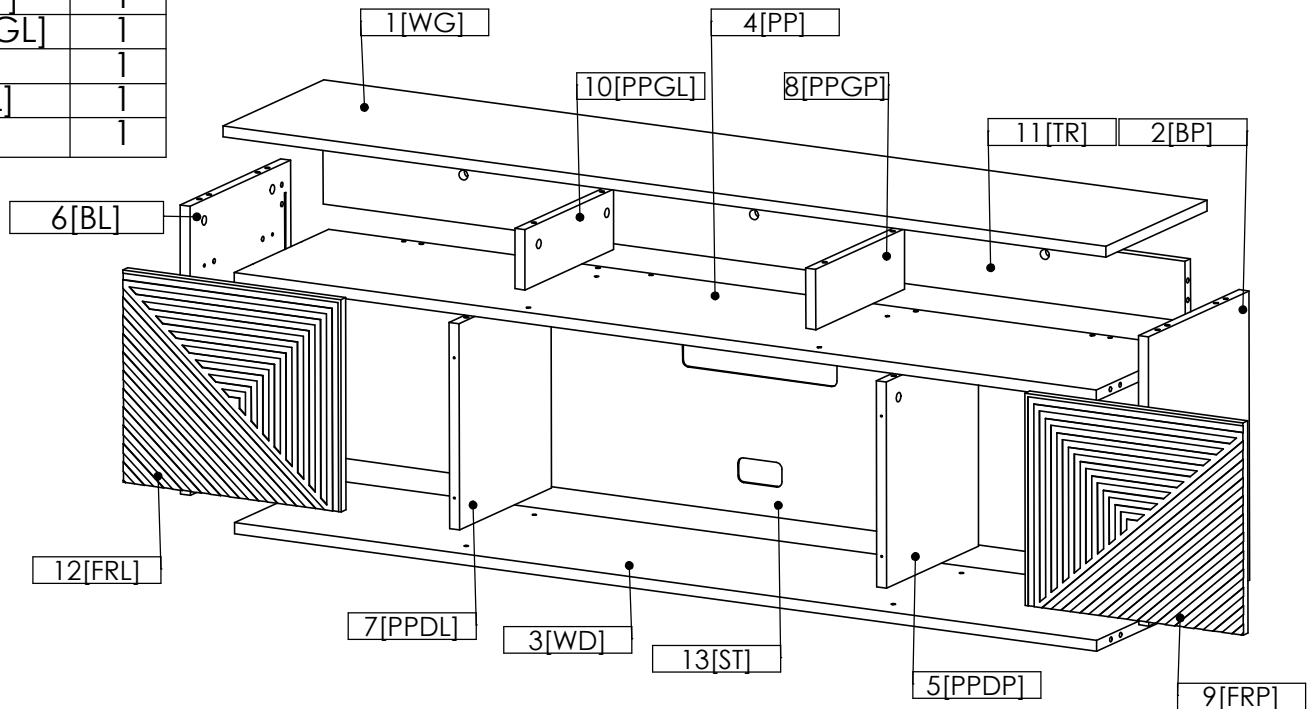
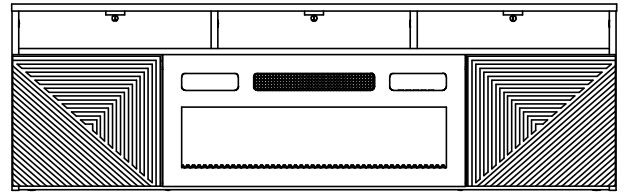


# KOM

# GIZA

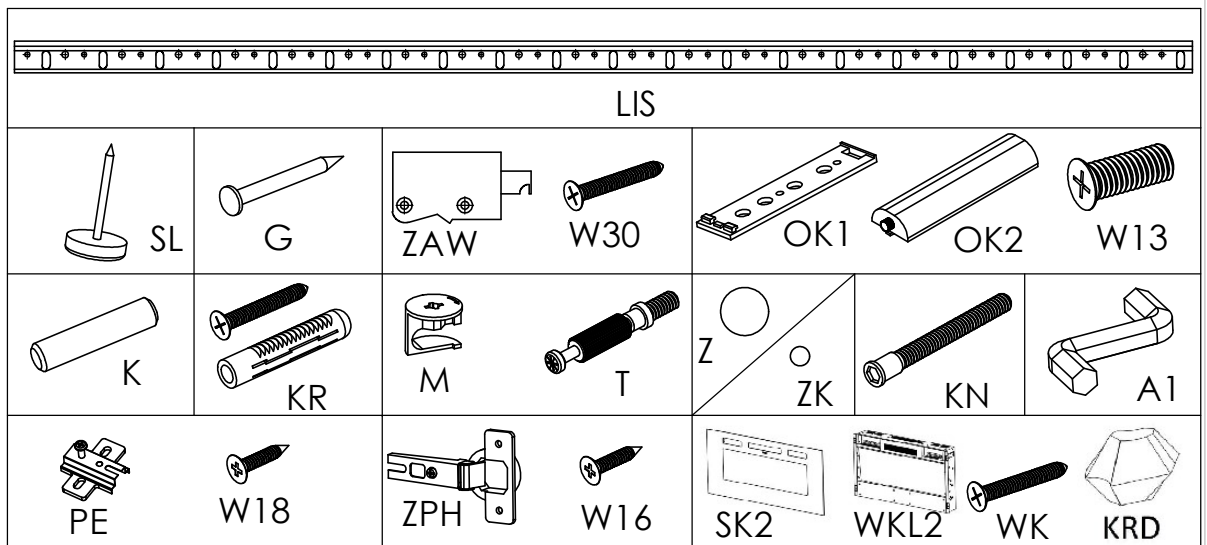
# F36.7

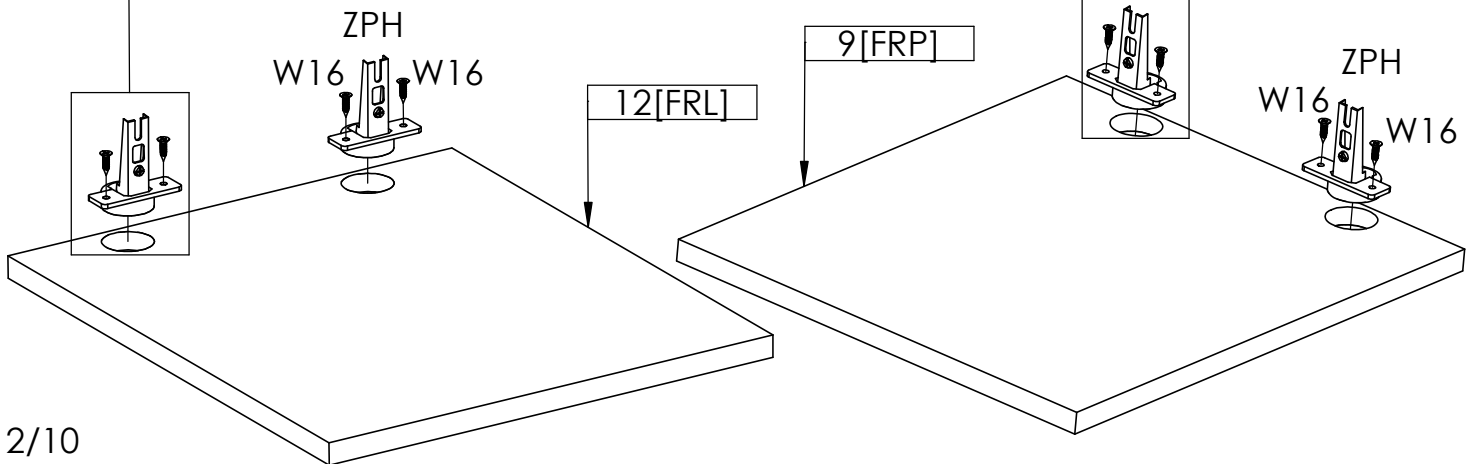
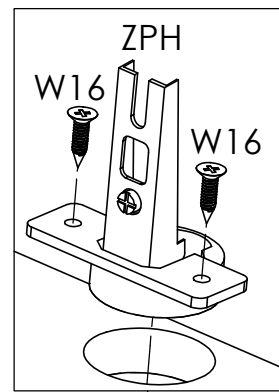
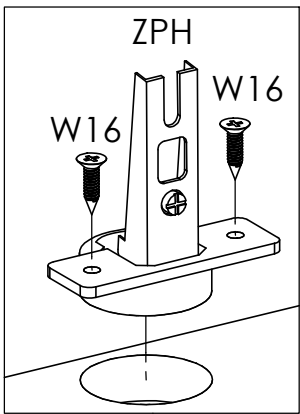
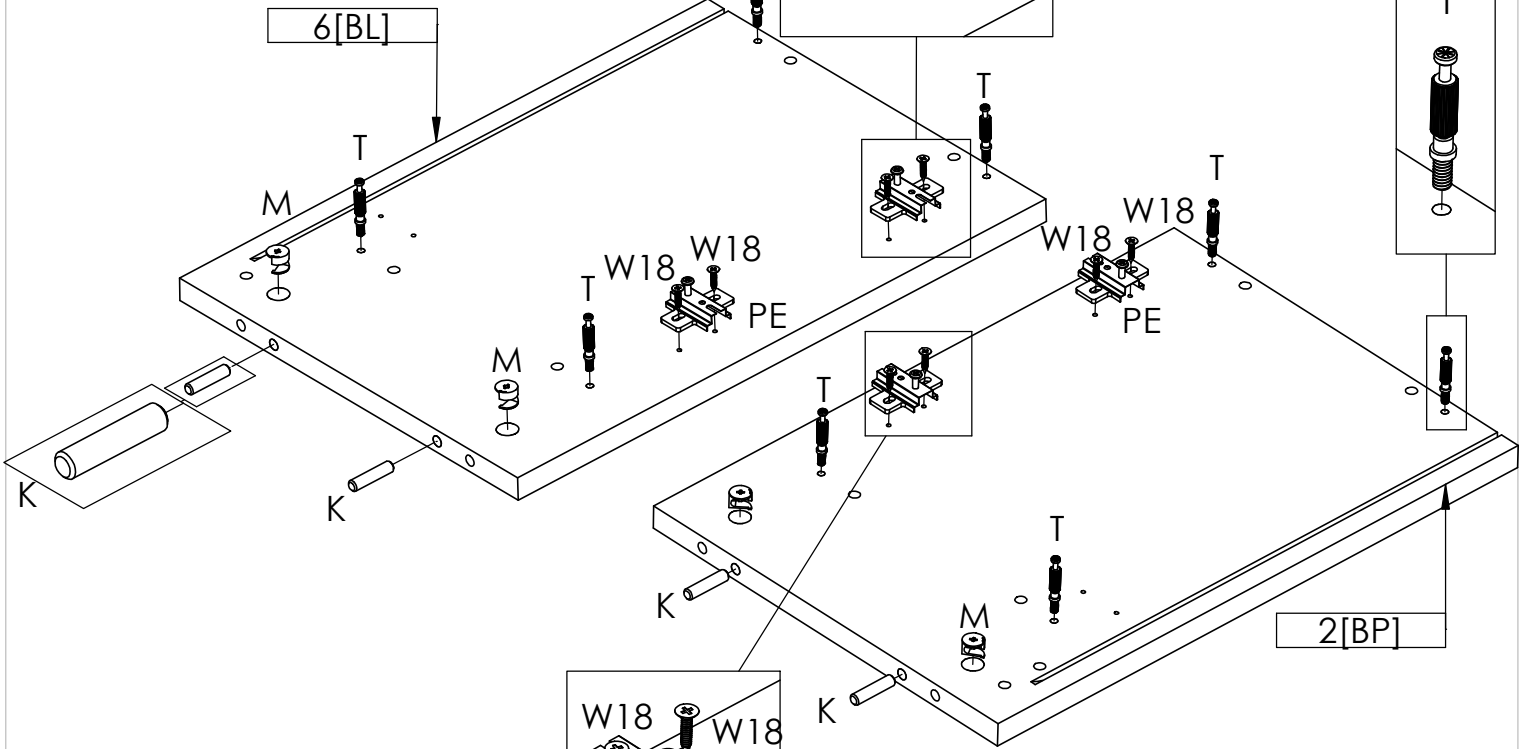
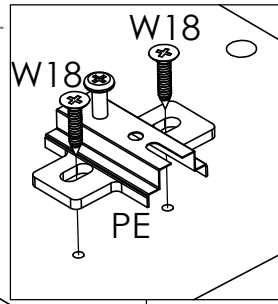
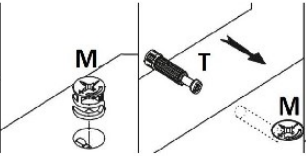
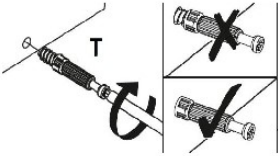
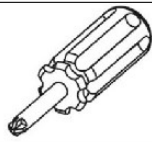
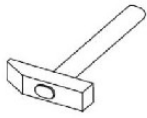
ELEMENTS	QTY
1 [WG]	1
2 [BP]	1
3 [WD]	1
4 [PP]	1
5 [PPDP]	1
6 [BL]	1
7 [PPDL]	1
8 [PPGD]	1
9 [FRP]	1
10 [PPGL]	1
11 [TR]	1
12 [FRL]	1
13 [ST]	1

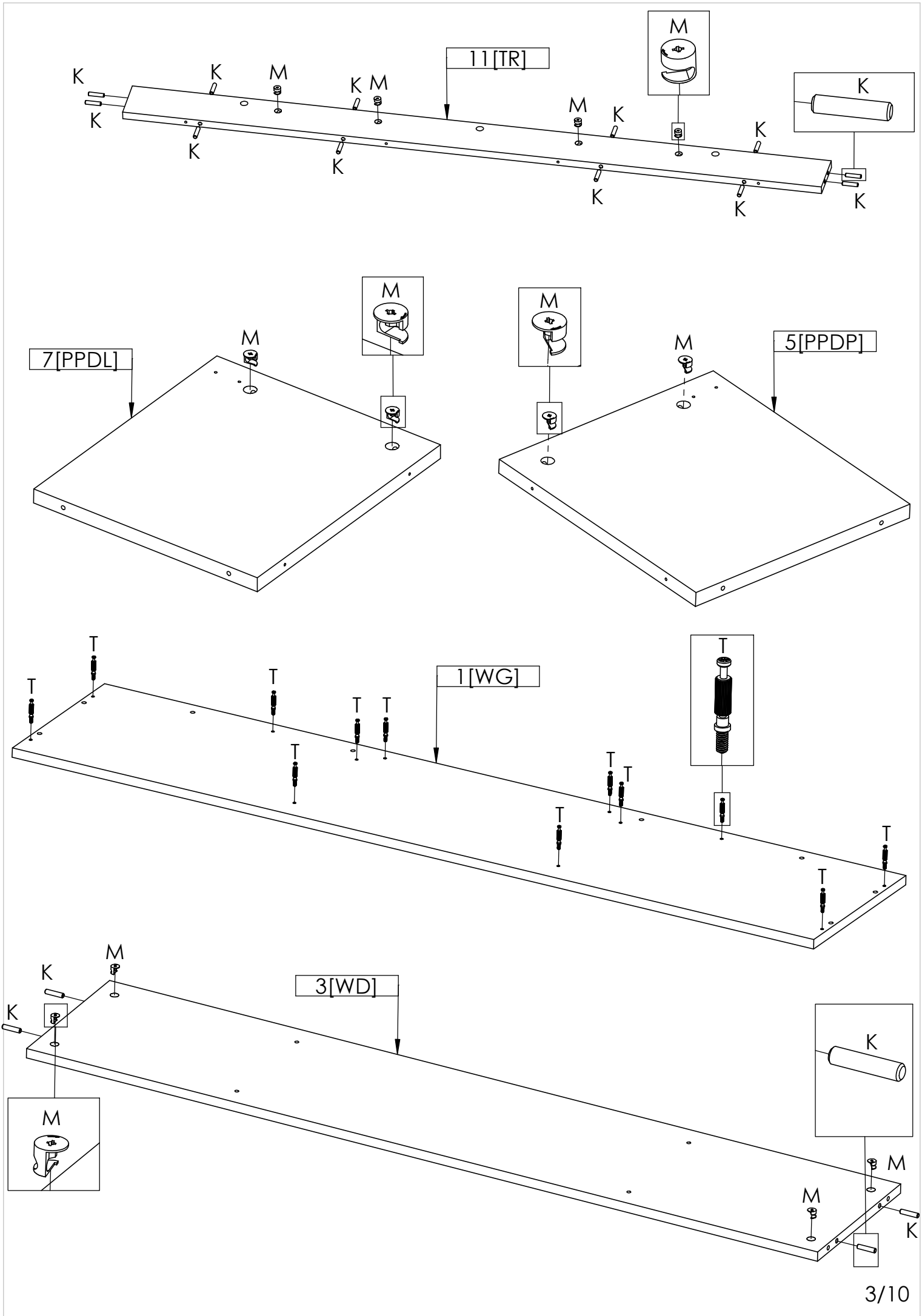


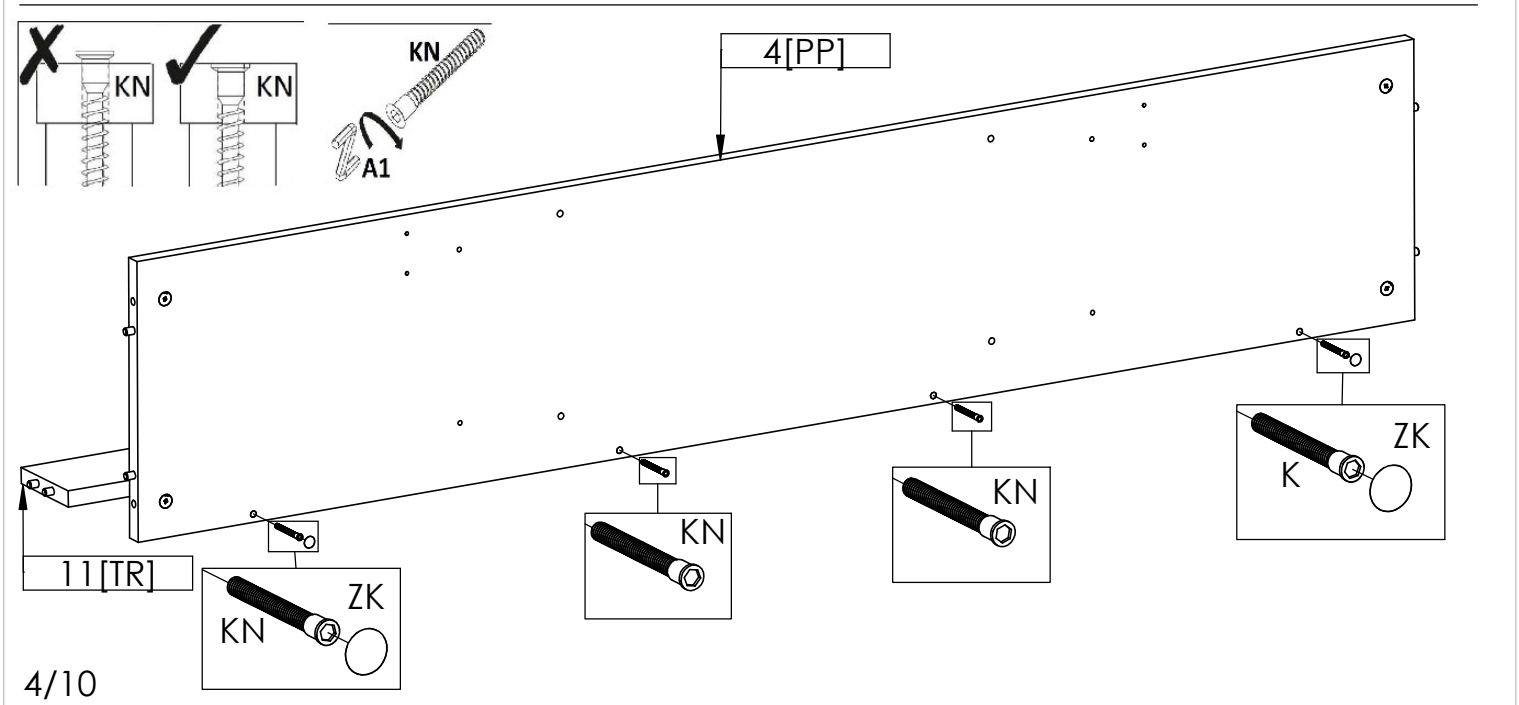
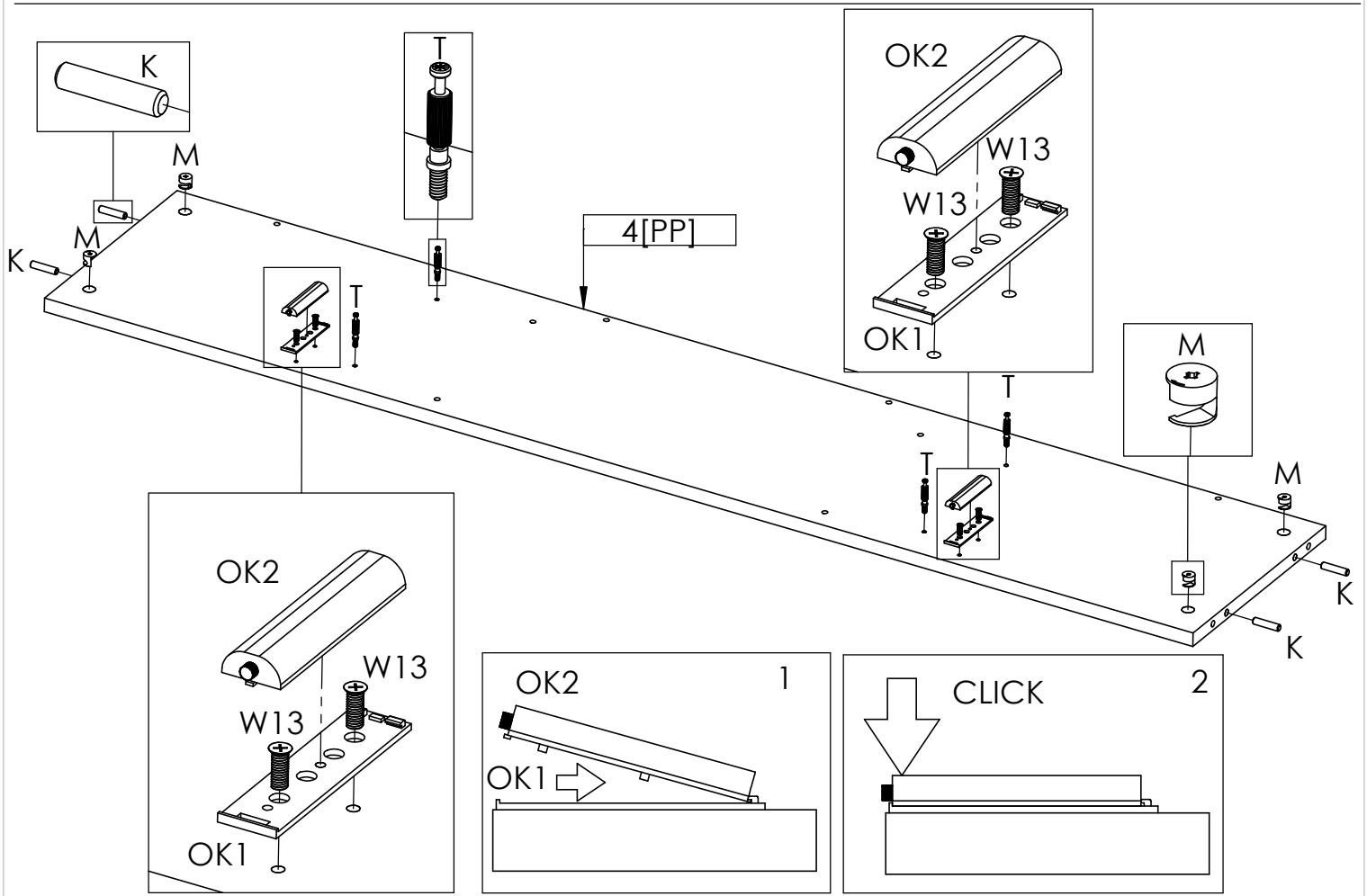
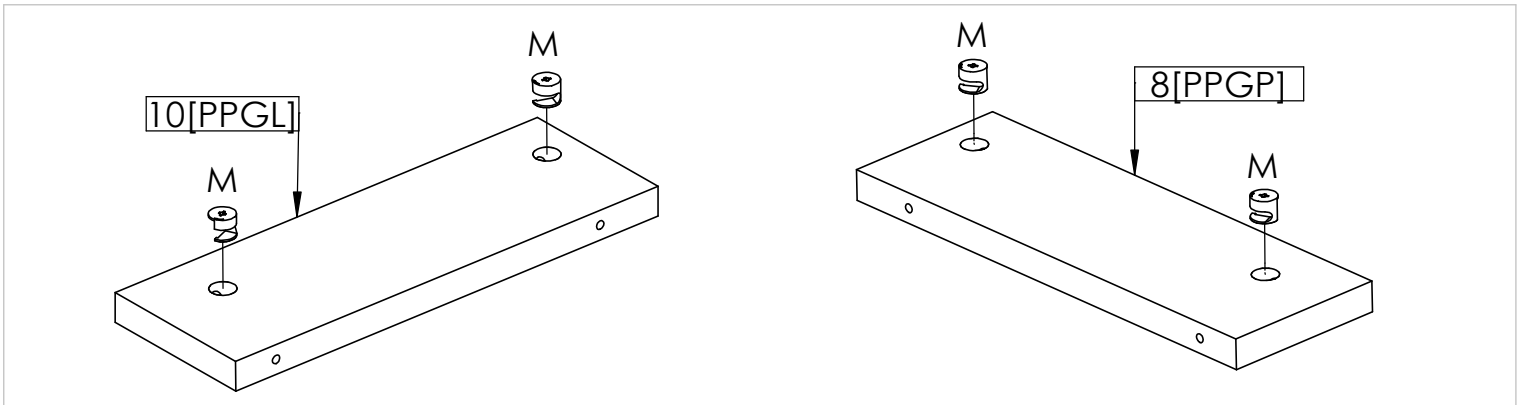
Elements attached to the electric fireplace	Symbol	SK2	WKL2	WK	KRD
	QTY	1	1	4	110

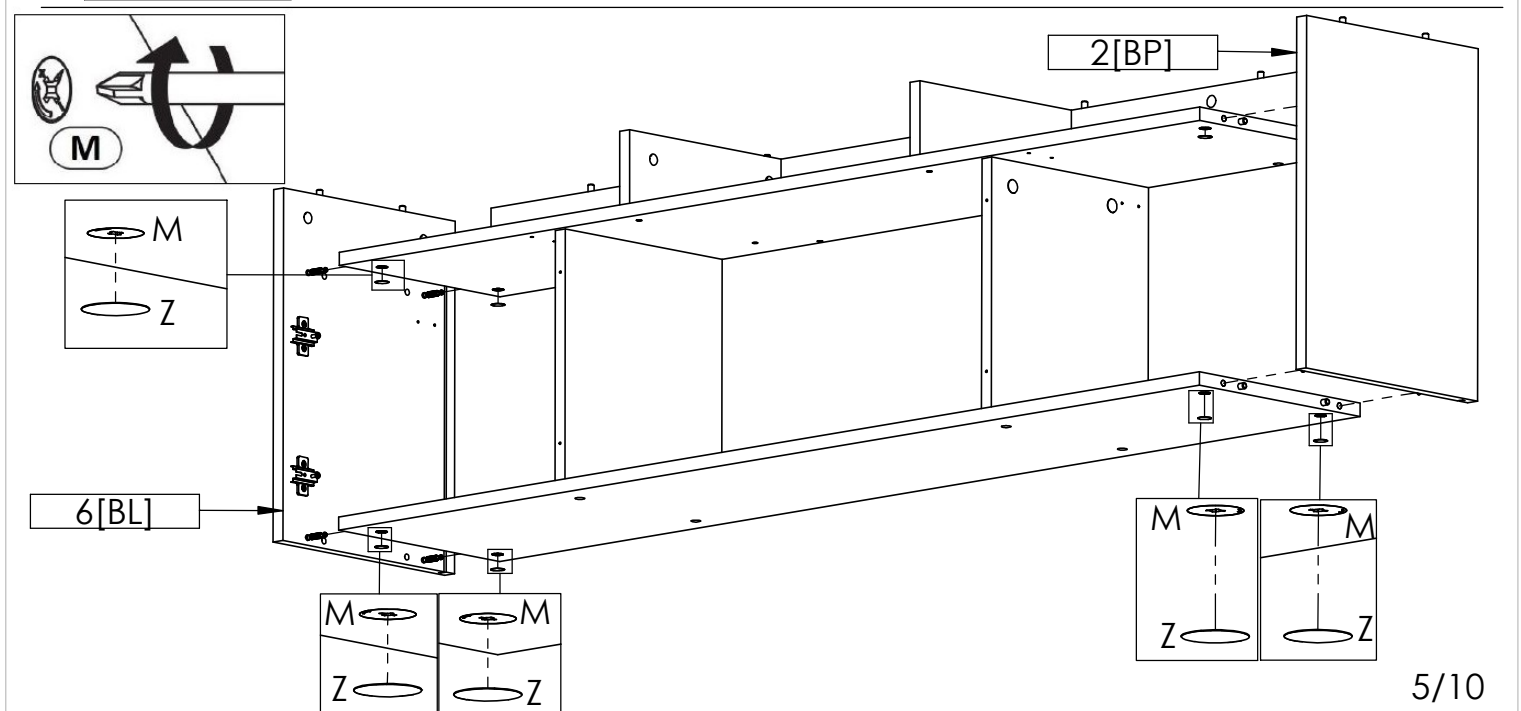
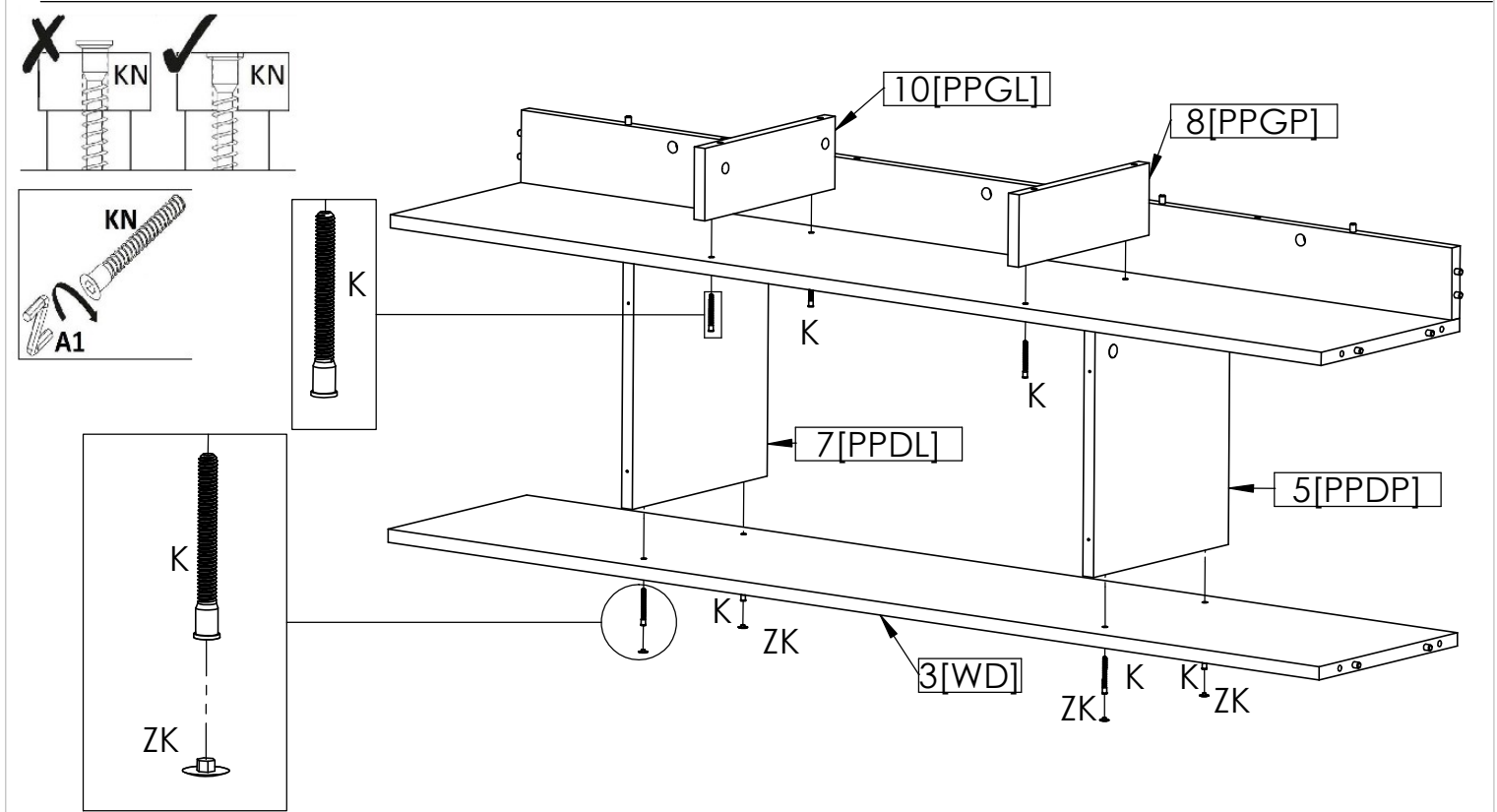
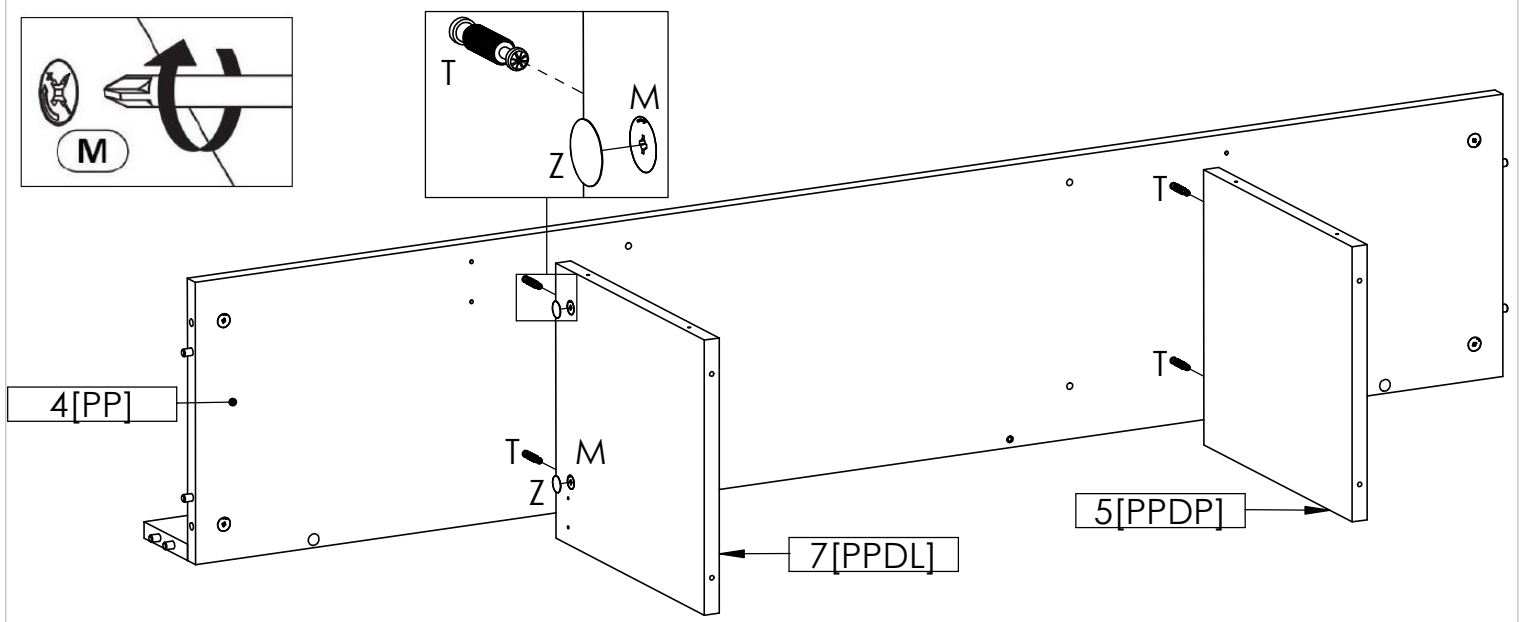
ACCESSORIES	Symbol	A1	G	K	KN	OK1	OK2	SL	T	M	W16	Z	ZK	ZPH	PE	W18	W13	KR	LIS	ZAW	W30
	QTY		1	22	24	12	2	2	6	24	24	8	20	6	4	4	8	4	4	1	4

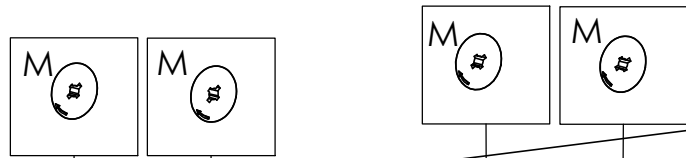
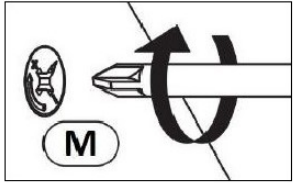
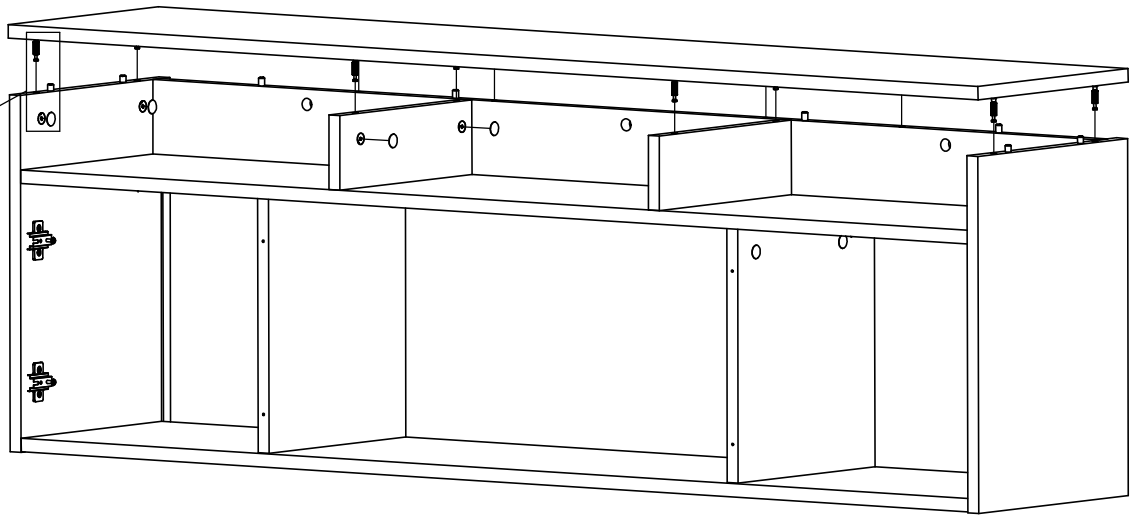
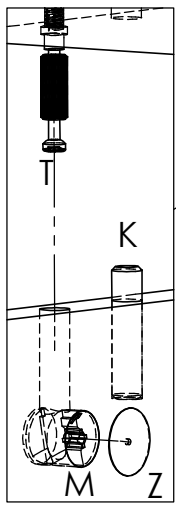




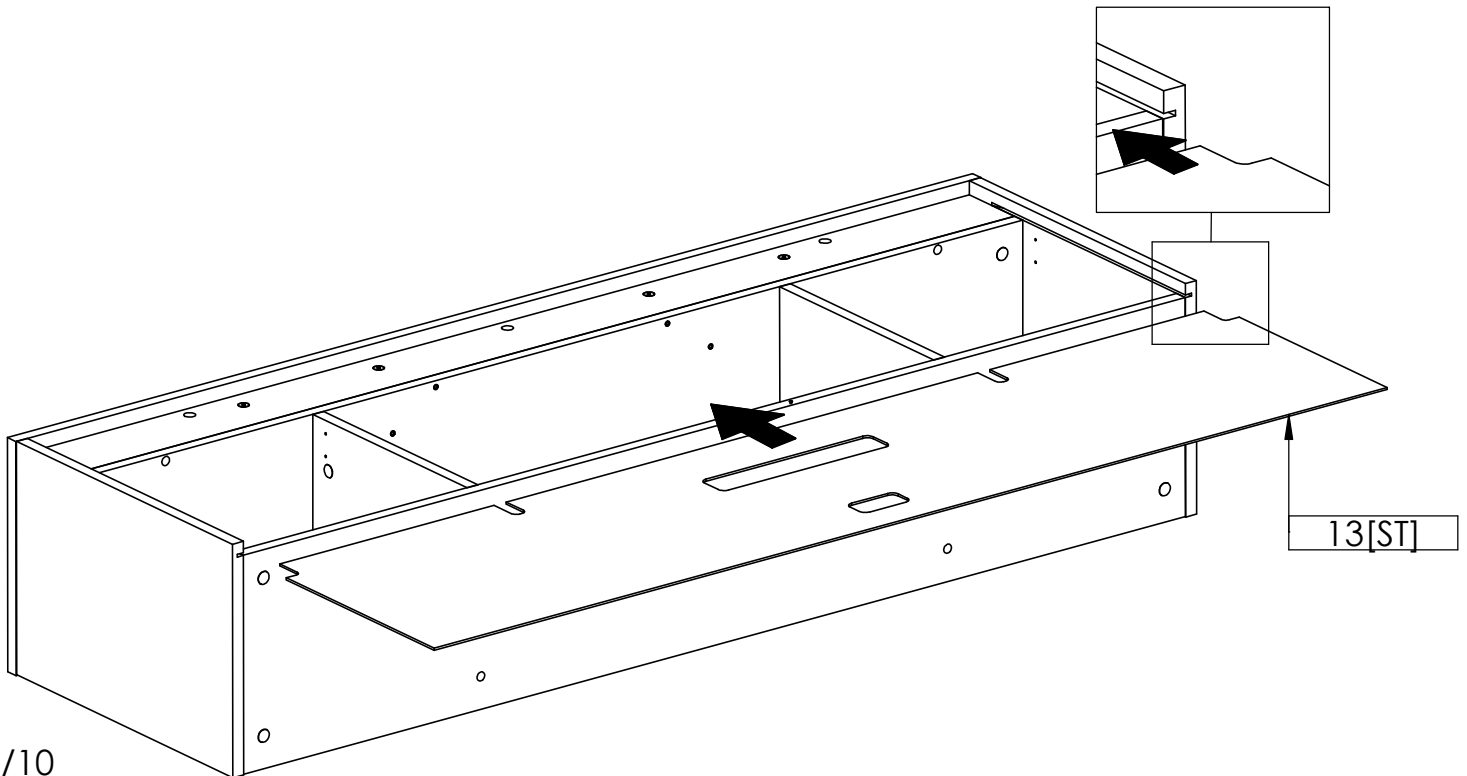
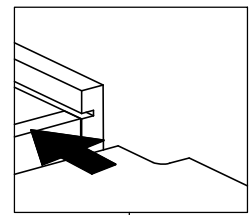
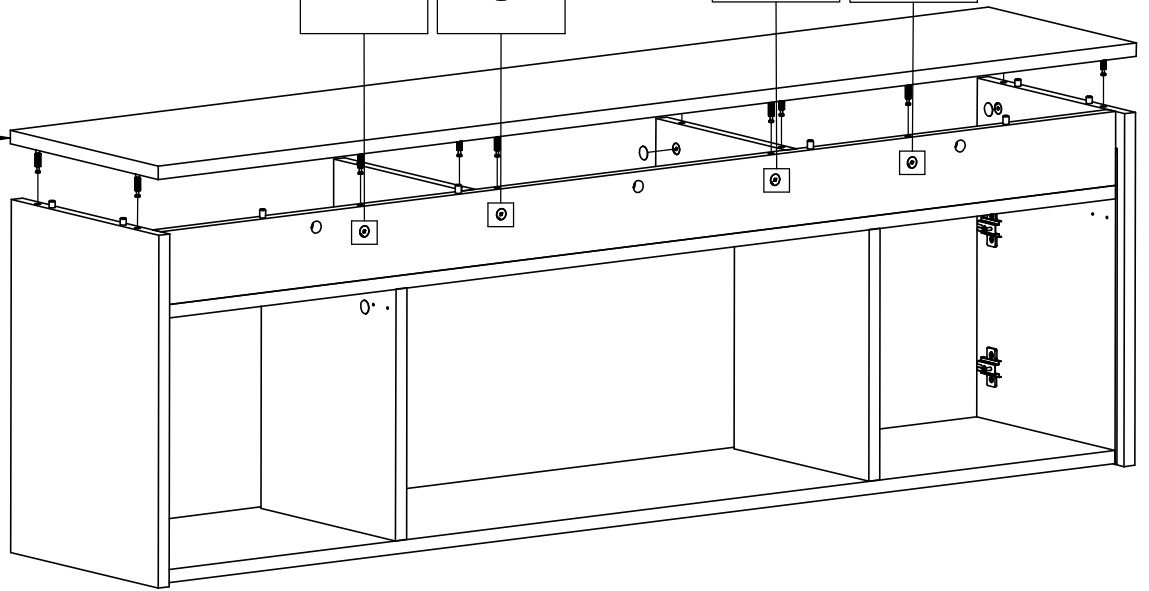


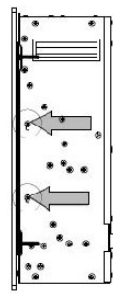
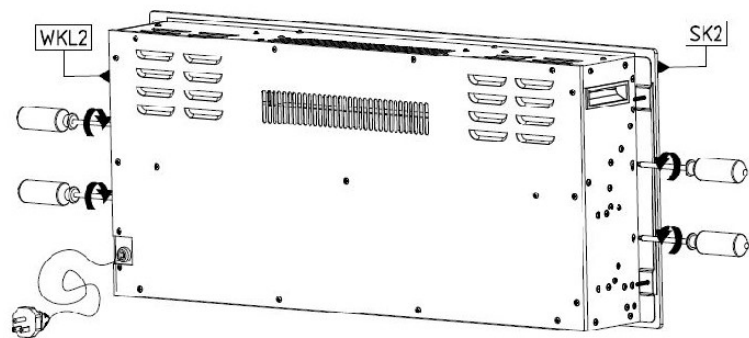
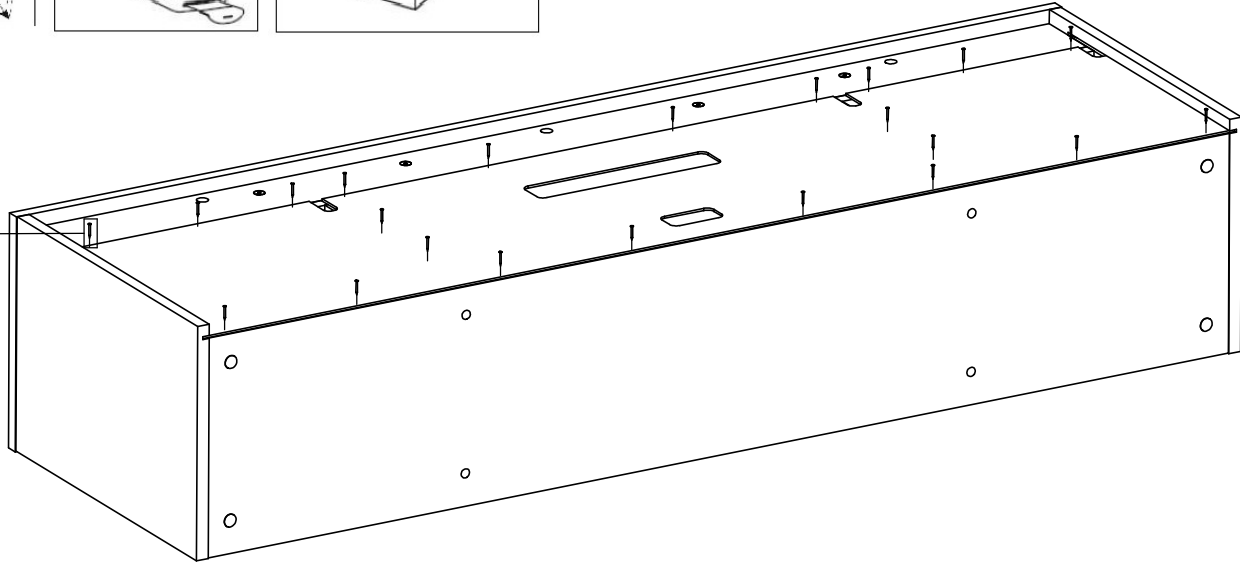
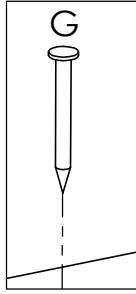
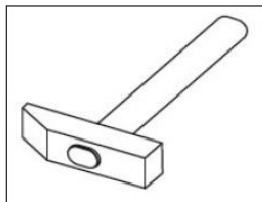
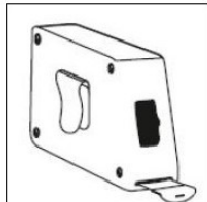
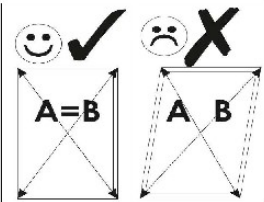




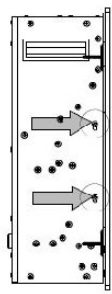


1[WG]

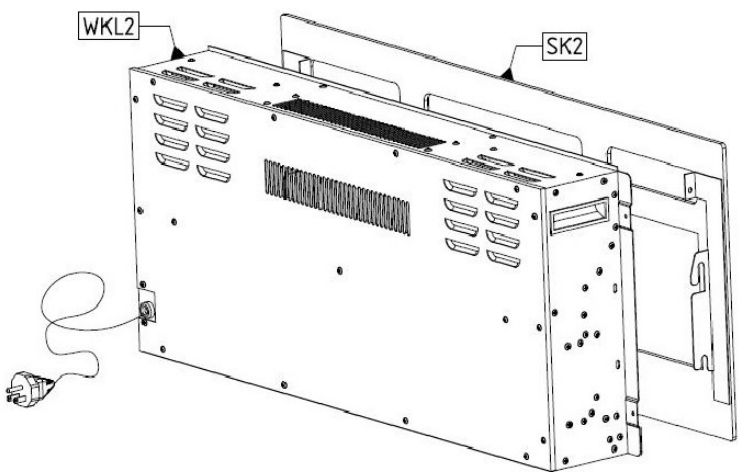
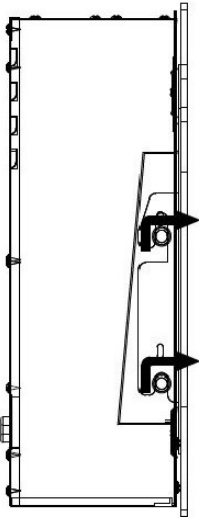


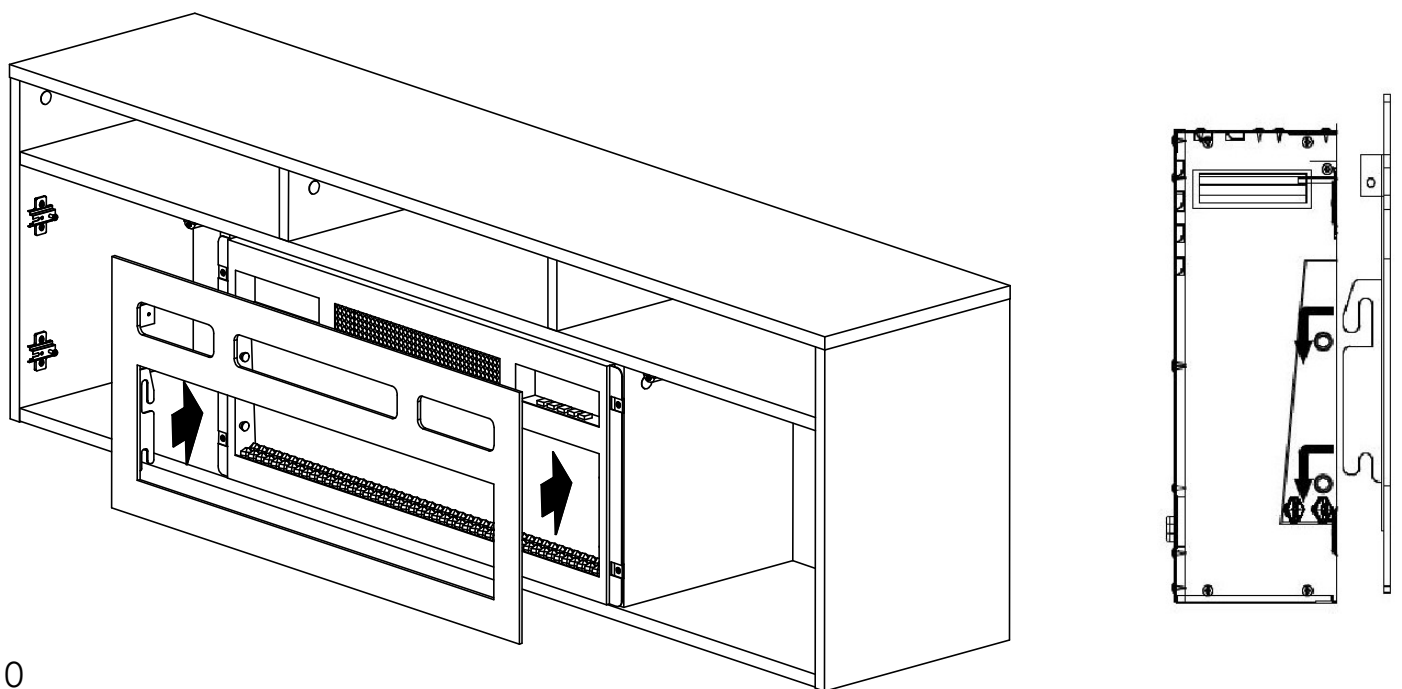
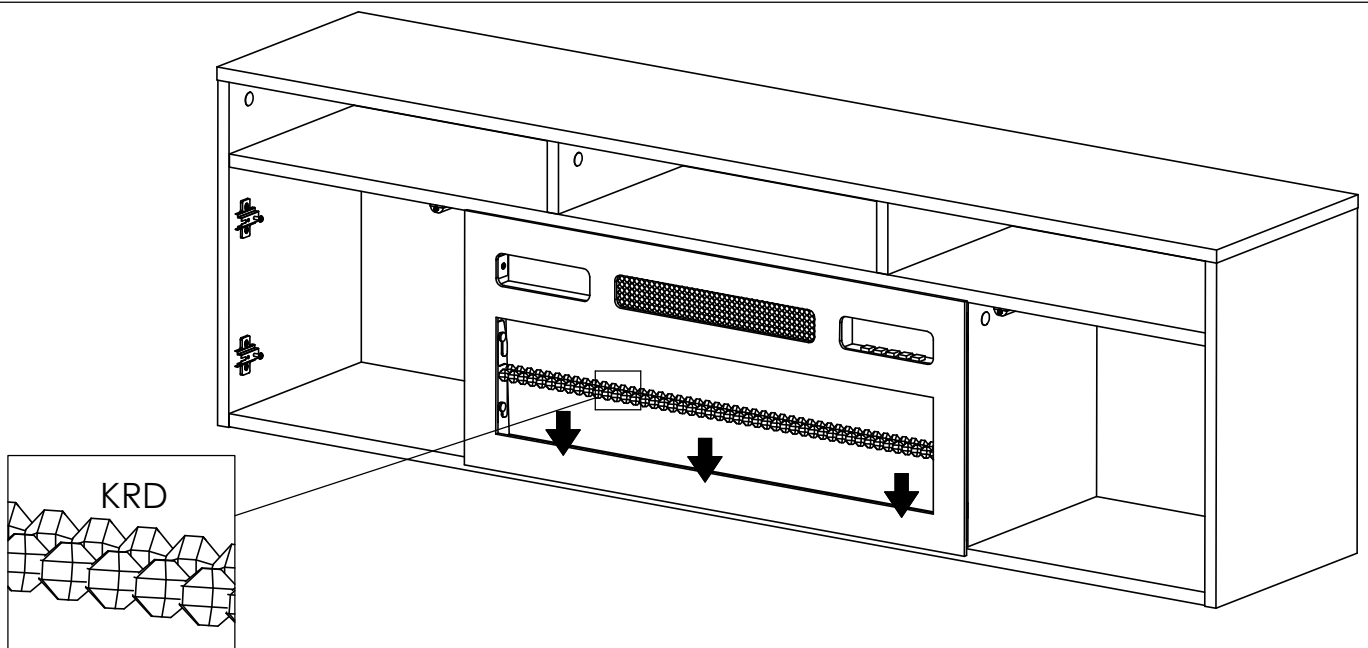
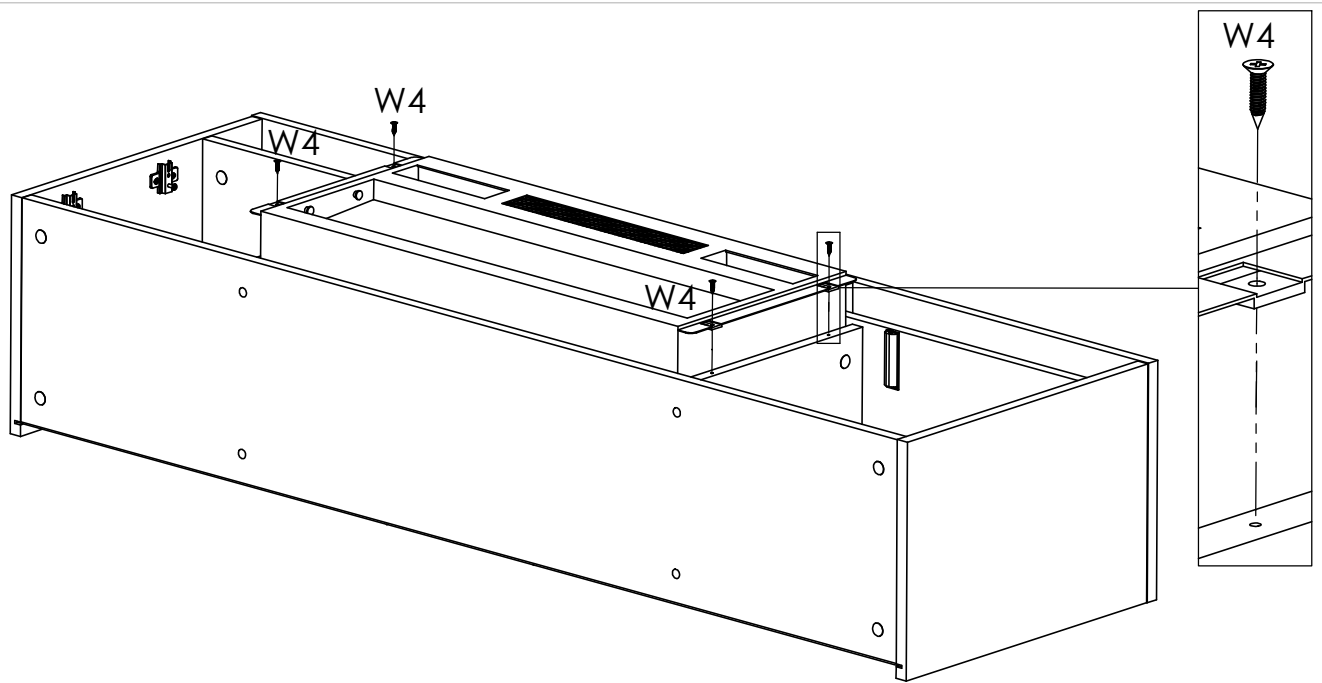


LEFT SIDE

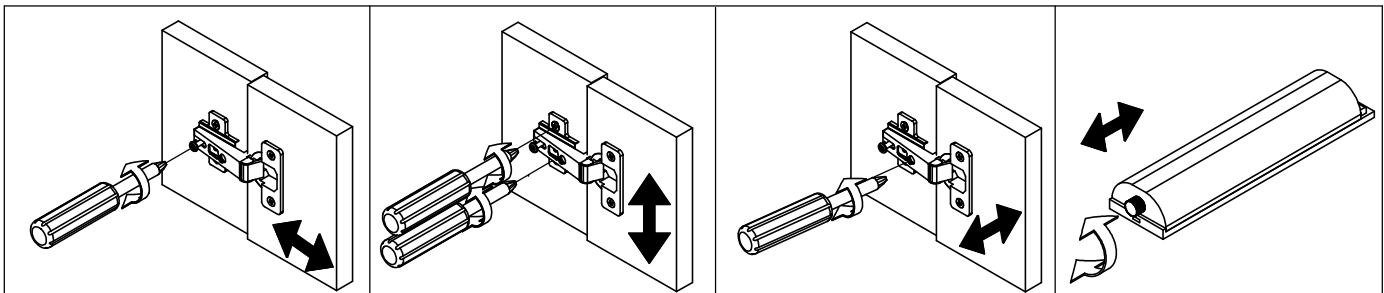
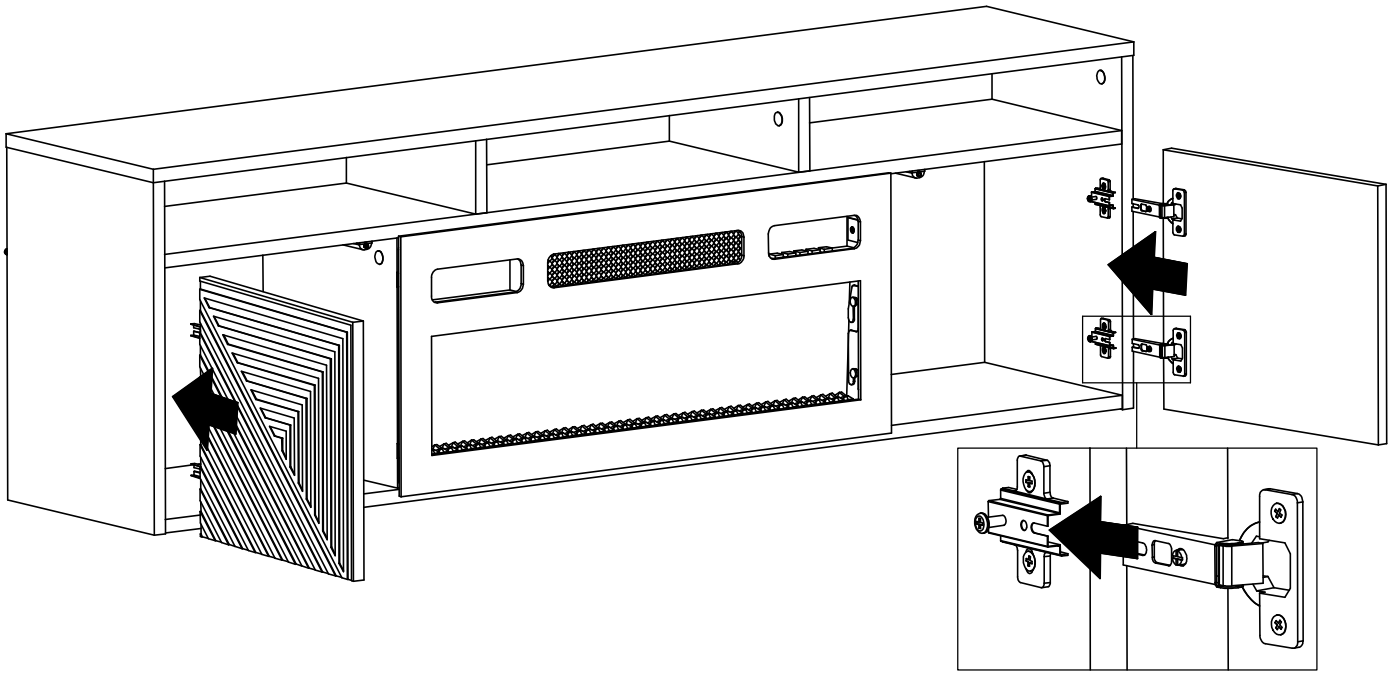
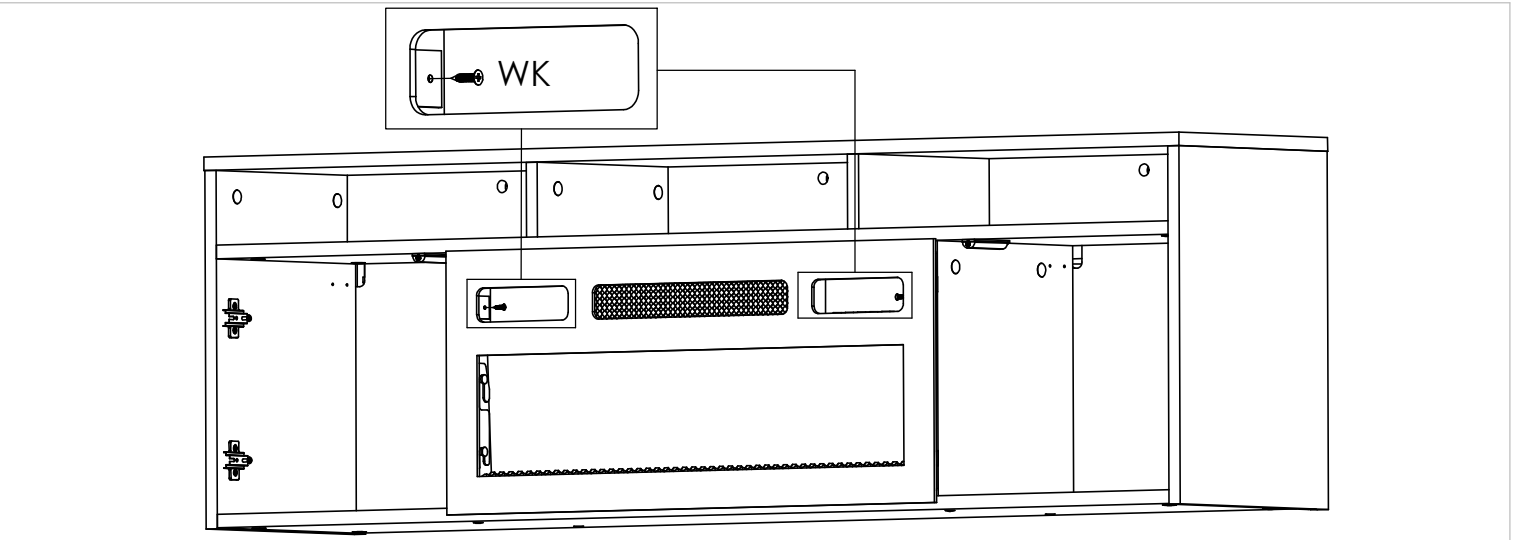


RIGHT SIDE

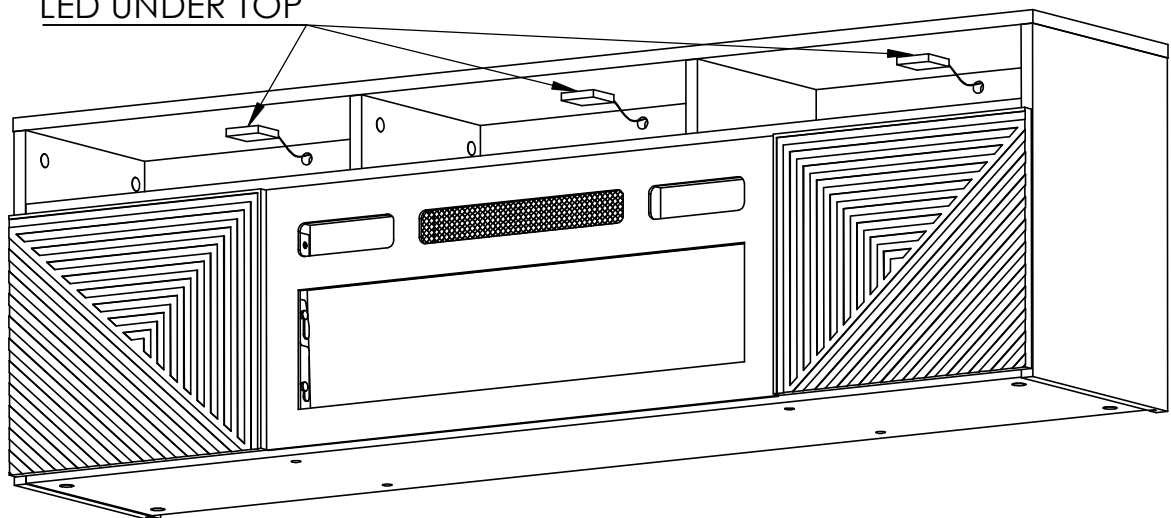




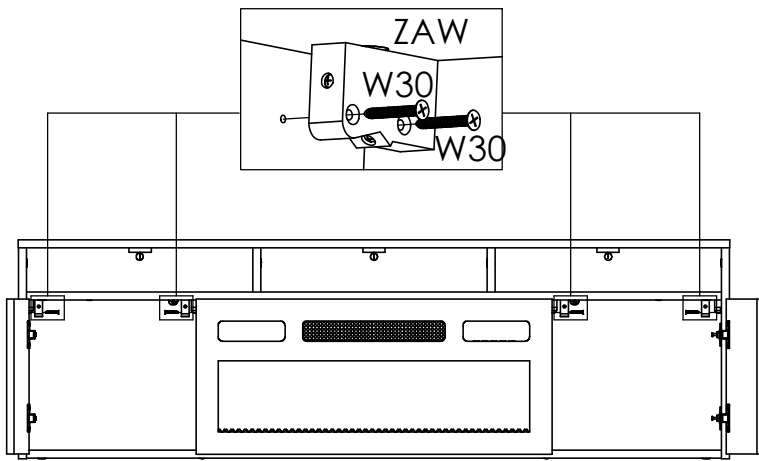




LED UNDER TOP



FOR A HANGING CREDENZA



FOR A FREE-STANDING CREDENZA

