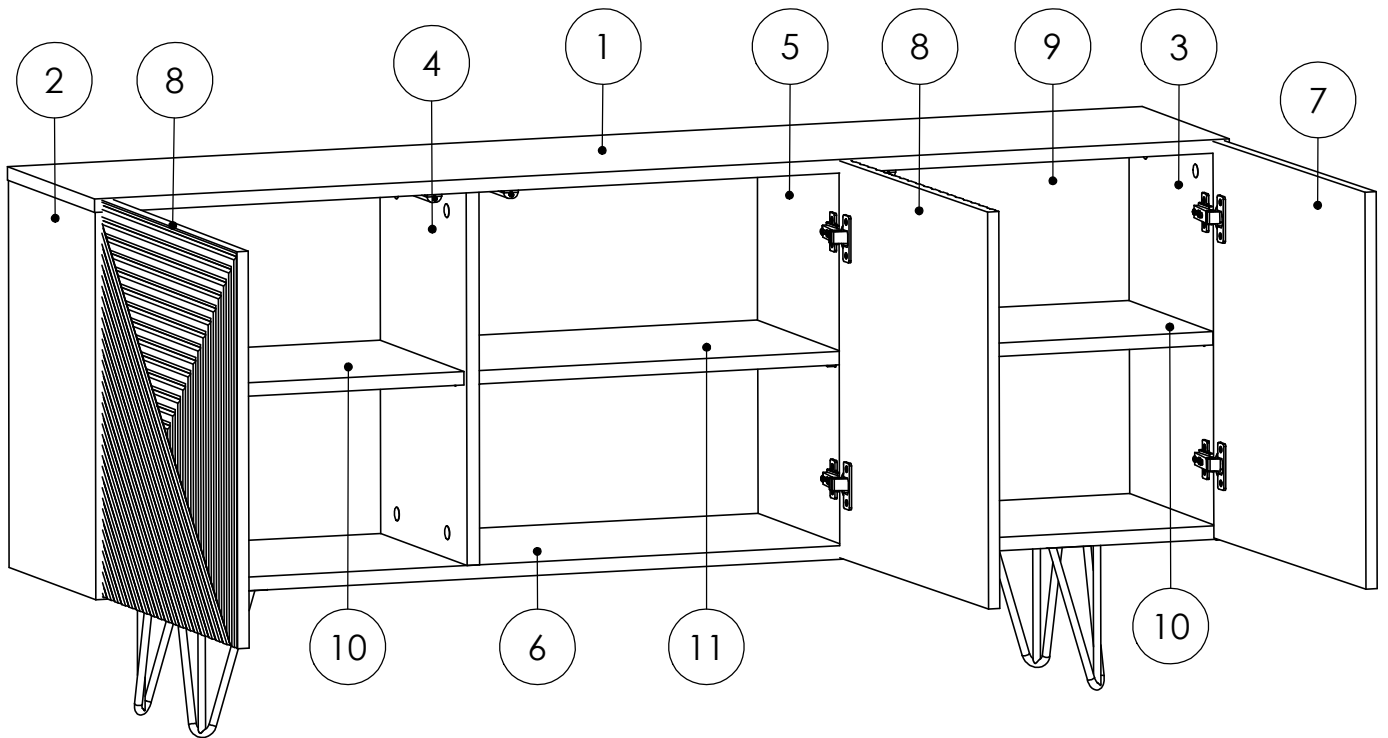
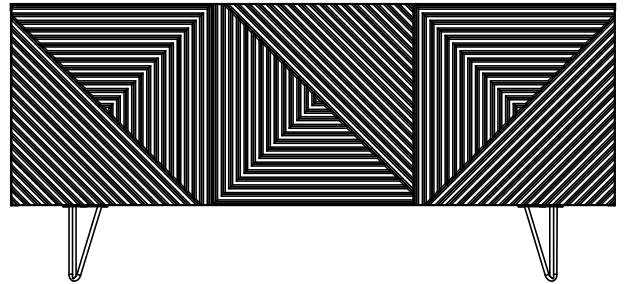


GIZA 3D

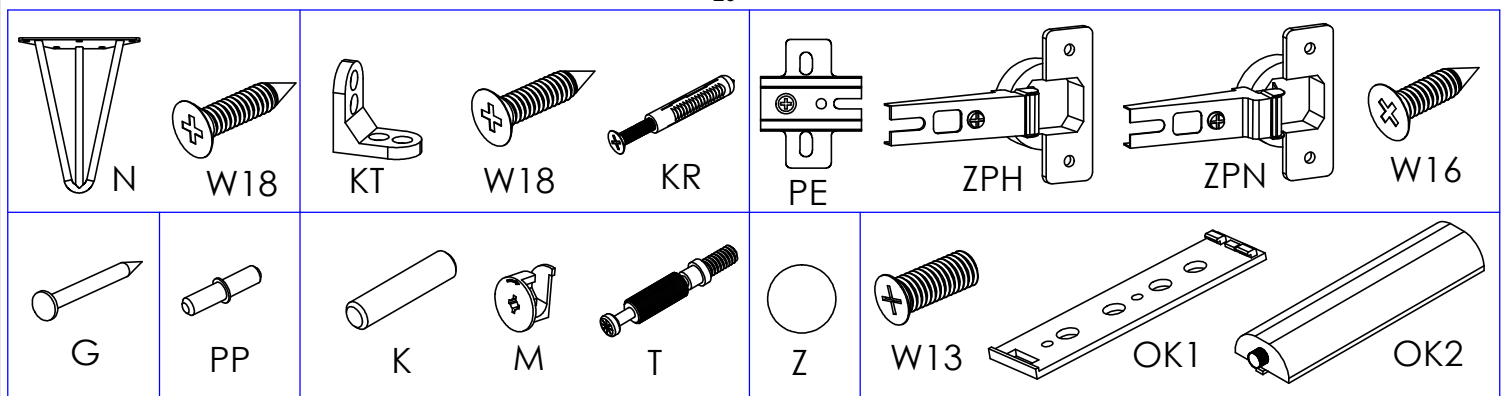
F36.4

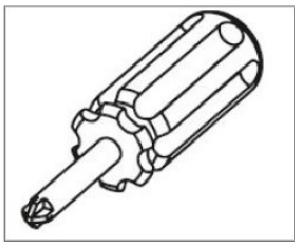
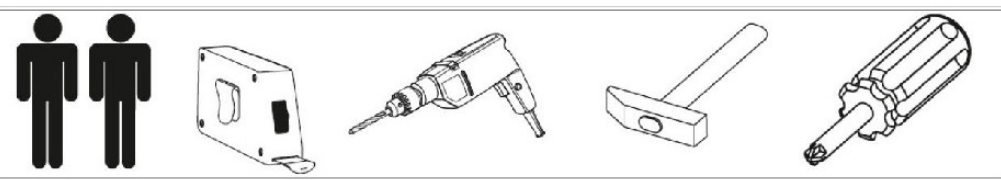
Elements	QTY
1	1
2	1
3	1
4	1
5	1
6	1
7	1
8	2
9	1
10	2
11	1



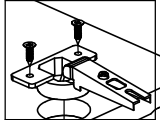
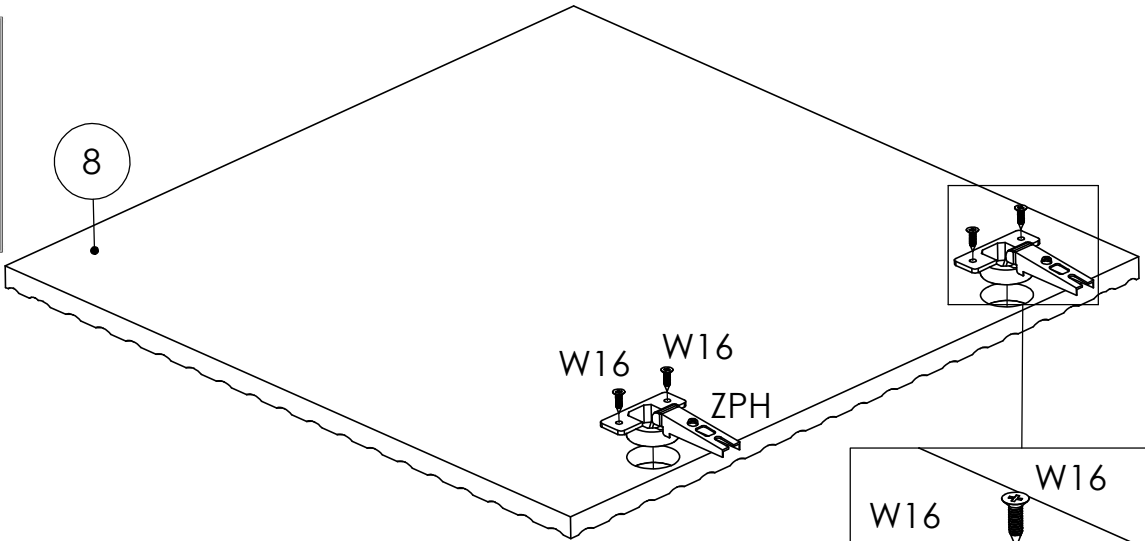
ACCESSORIES	Symbol	OK1	OK2	W13	Z	T	M	PP	G	K	W16	ZPN	ZPH	PE	W18	N	KT	KR
	QTY	3	3	6	12	16	16	12	28	20	24	2	4	6	24	4	2	2

20

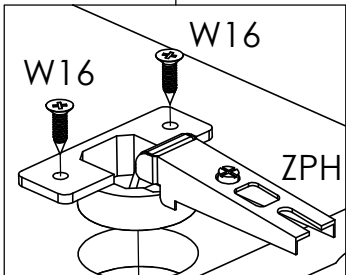




8



W16 W16 ZPH

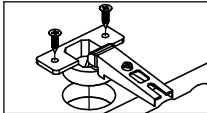
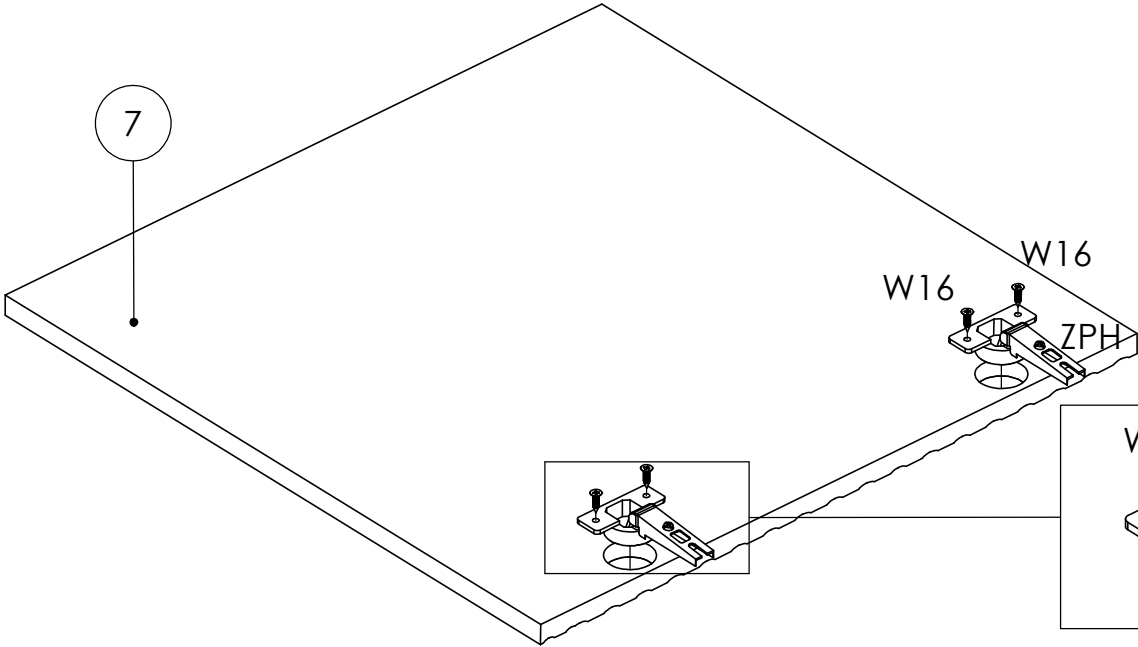


W16

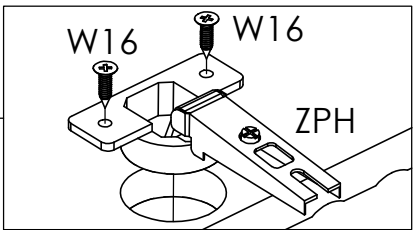
W16

ZPH

7



W16 W16 ZPH

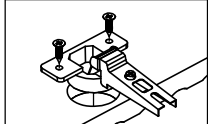
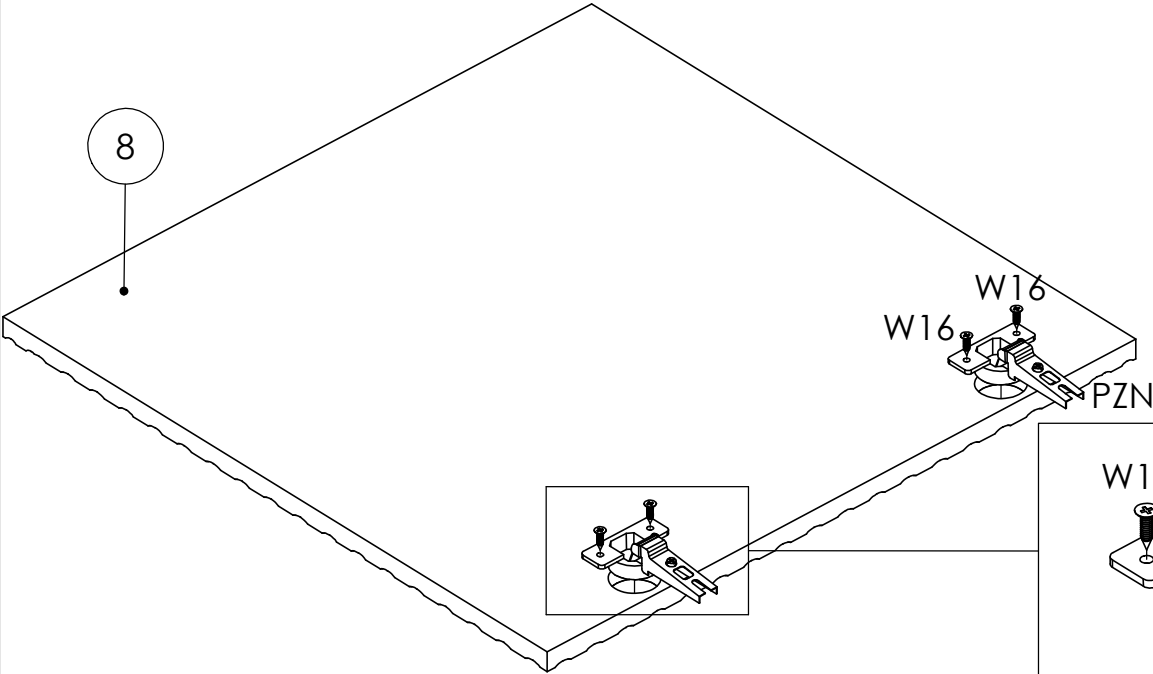


W16

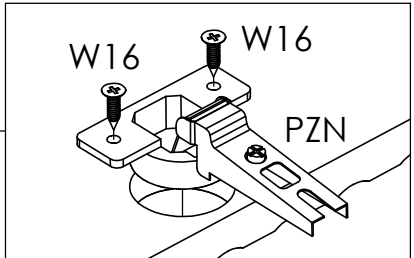
W16

ZPH

8



W16 W16 PZN



W16

W16

PZN

