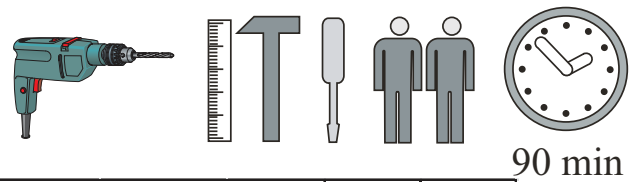
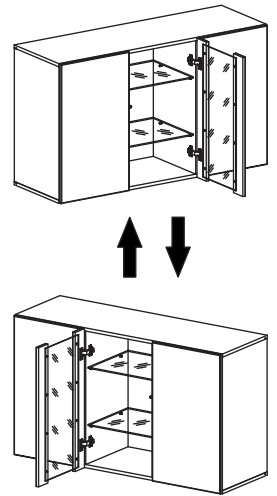
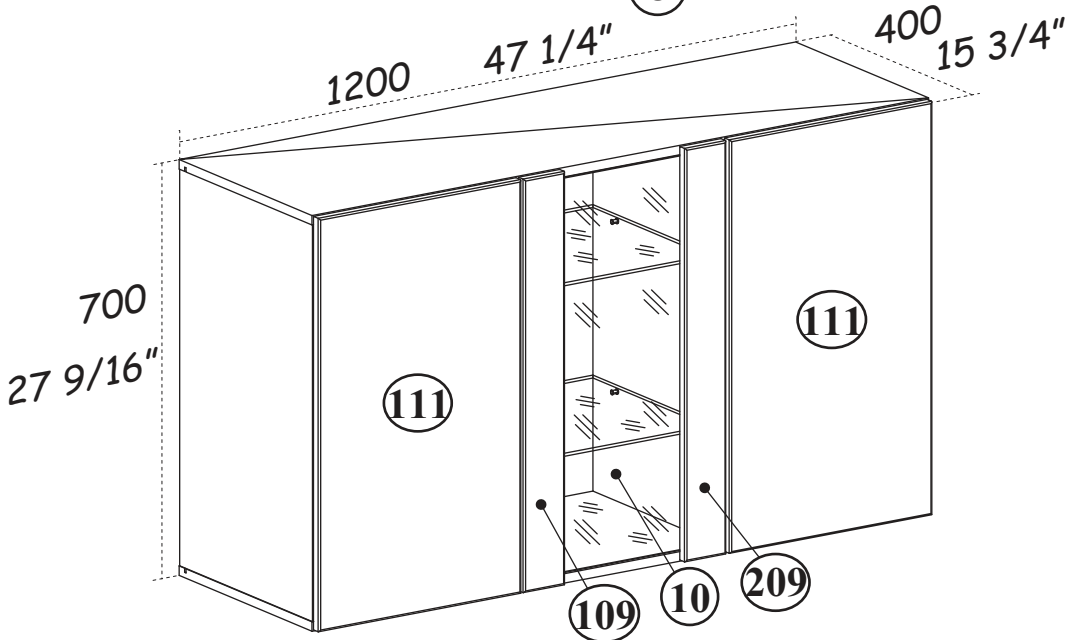
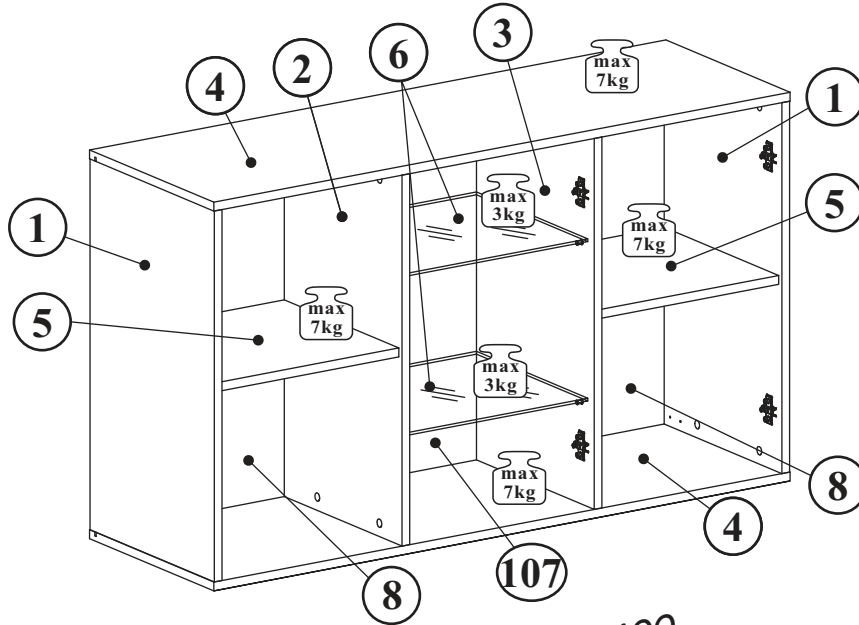
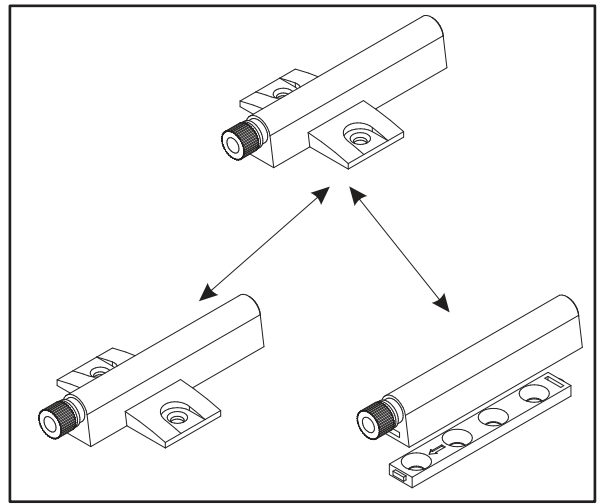
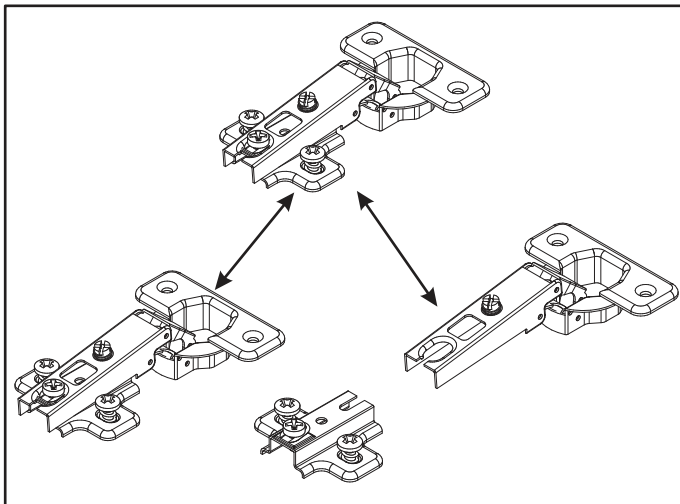
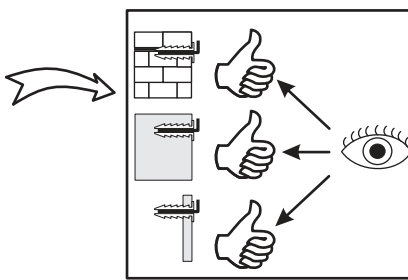
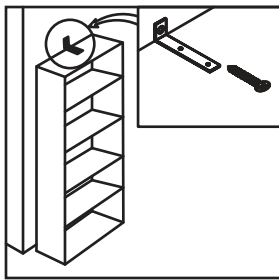
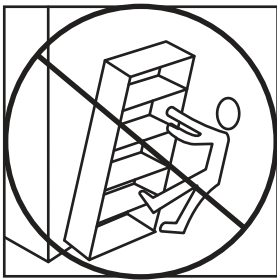
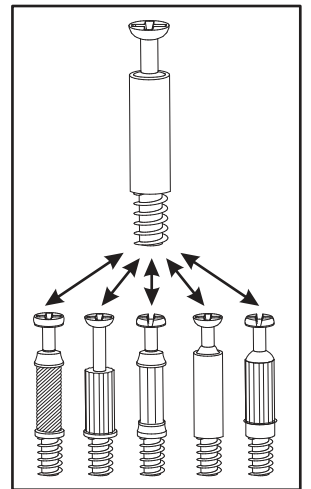
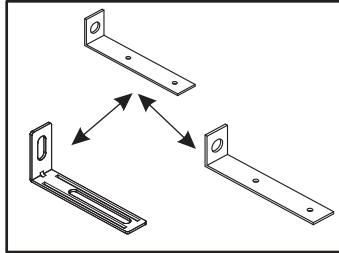
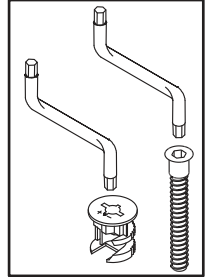
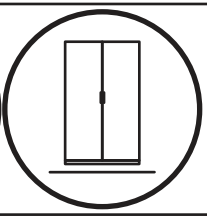
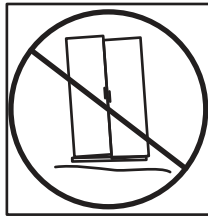
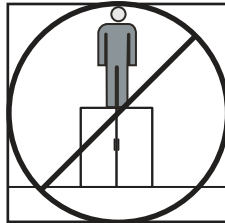
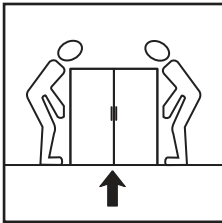
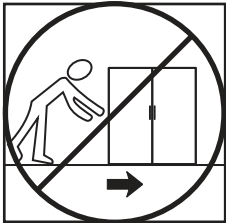
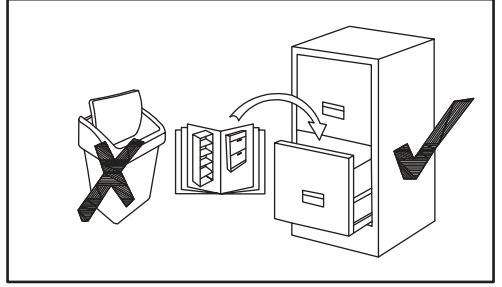
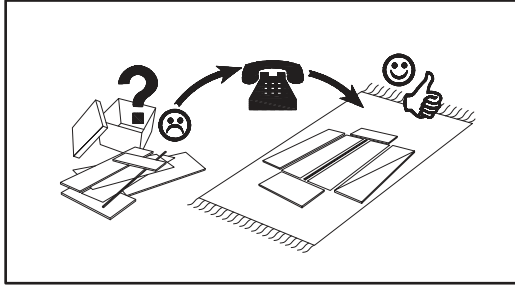
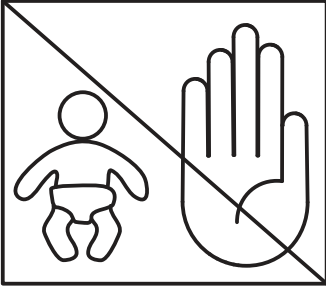
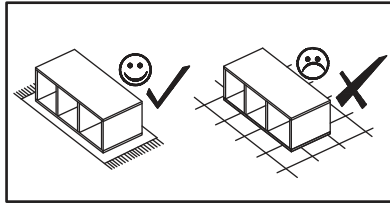
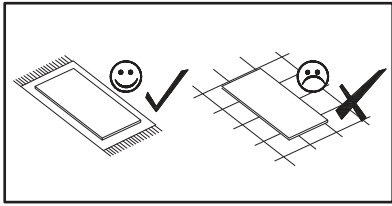


FLY 23 -- FY SB I-C



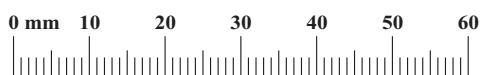
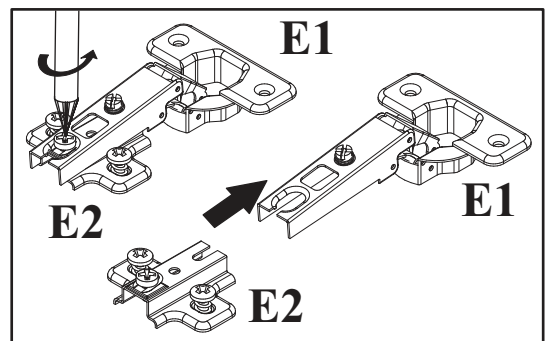
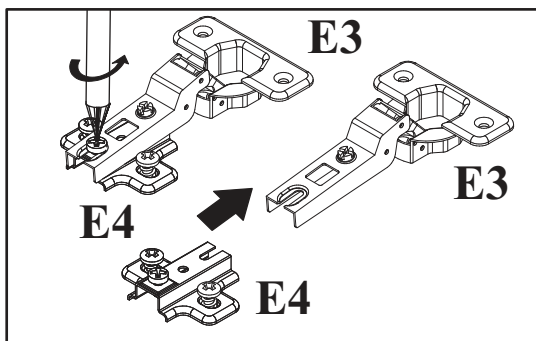
NO	Dim.			Col.-No	Qty
1	668	384	16	1	2
2	668	364	16	1	1
3	668	364	16	1	1
4	1200	384	16	1	2
5	375	354	16	1	2
6	382	344	6	1	2
7	680	398	3	1	1
8	680	388	3	1	2
109	80	696	16	1	1
209	80	696	16	1	1
10	664	283	4	1	1
111	394	696	16	1	2

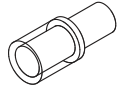
NO	Dim.			Col.-No	Qty
1	26 19/64	15 1/8	16	1	2
2	26 19/64	14 21/64	16	1	1
3	26 19/64	14 21/64	16	1	1
4	47 1/4	15 1/8	16	1	2
5	14 49/64	13 15/16	16	1	2
6	15 3/64	13 35/64	6	1	2
7	26 49/64	15 43/64	3	1	1
8	26 49/64	15 9/32	3	1	2
109	3 5/32	27 13/32	16	1	1
209	3 5/32	27 13/32	16	1	1
10	26 9/64	11 9/64	4	1	1
111	15 33/64	27 13/32	16	1	2

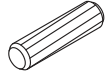


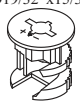
FLY 23 -- FY SB I-C

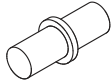
A1 x16 Ø5/16"x1 27/64" ø8x36	B4 x16	B5 x16 Ø19/32"x15/32" ø15x12	G5 x16	E1 x4 Ø1 1/32" Ø26 H=0	E2 x4 H=0
ZR1 x4	D6 x8 USØ9/64"x1 3/16" USØ3,5x30	S1 x10	D10 x18 USØ9/64"x33/64" USØ3,5x13	G20 x8	Z2 x4 Ø13/64" Ø5
AM x3	UP13 x8 UPØ1/8"x5/8" UPØ3x16	P2 x8	G7 x8	G16 x10	D9 x10 USØ1/8"x25/32" USØ3x20
E3 x2 Ø1 1/32" Ø26 H=8	E4 x2 H=2	KR5 SFXP x4 Ø 25/64"/1 31/32" x2 23/64" Ø10/50x60	SZ9 x1 L=45 3/4" L=1162mm	LZ3 x1	LED x2
G2 x1					



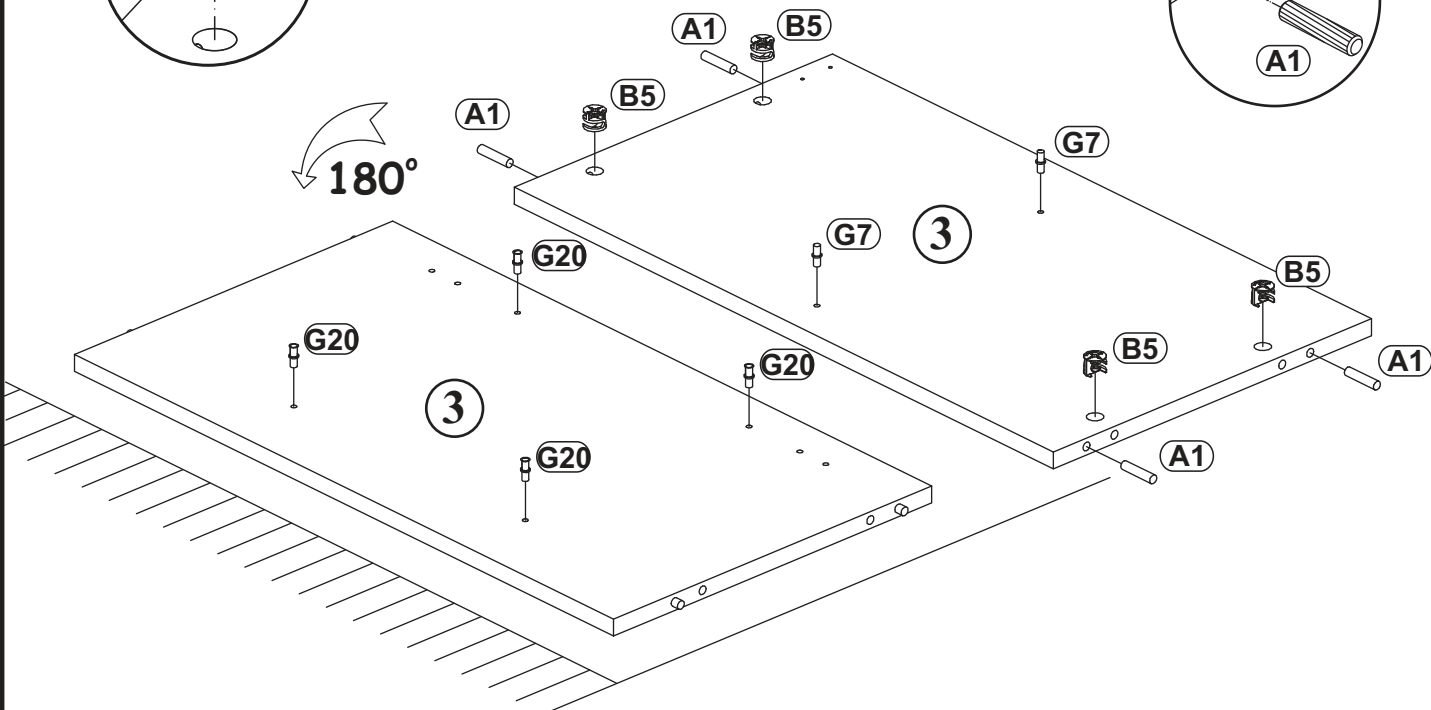
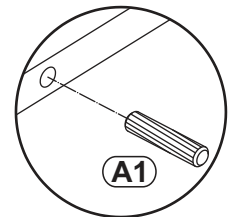
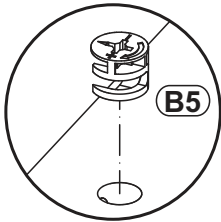
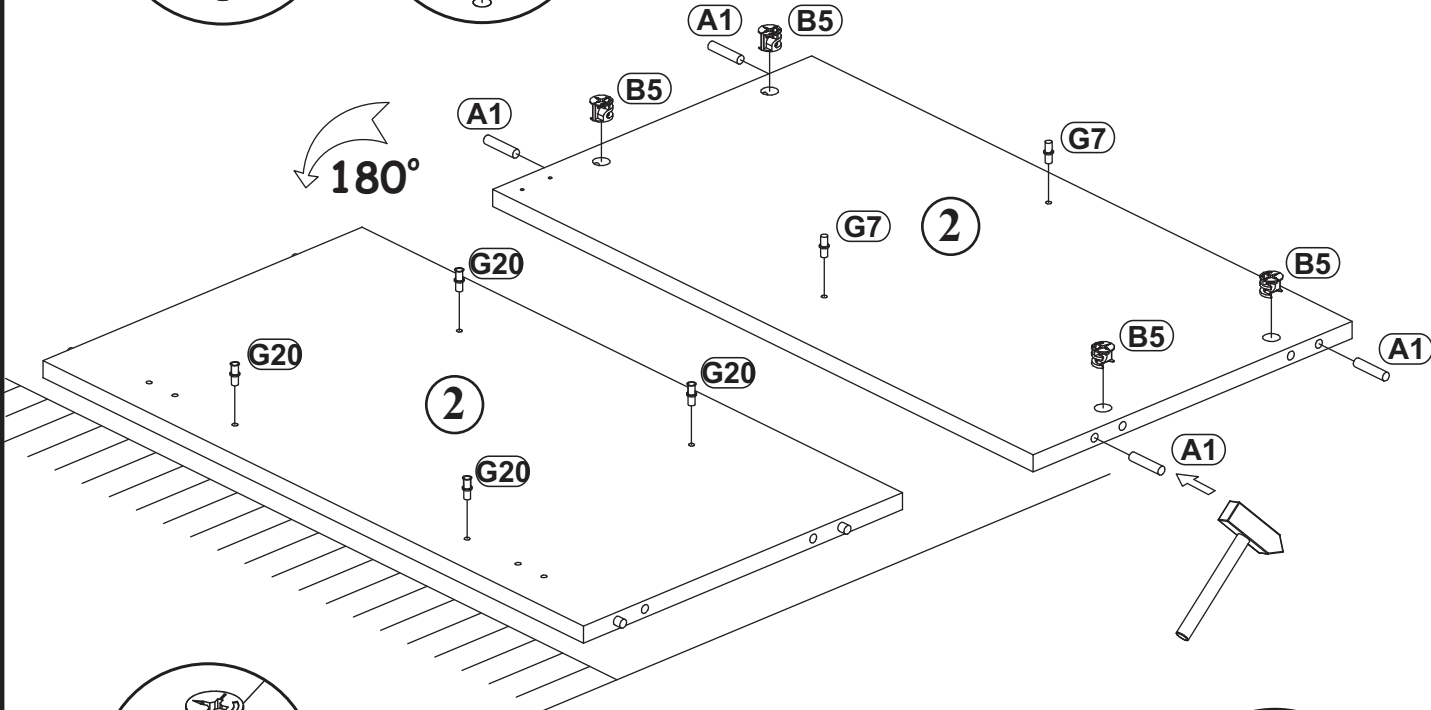
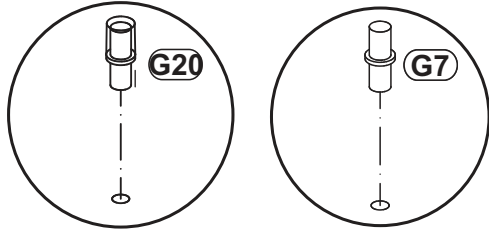
G20	
x8	

A1	
x8	$\text{Ø}5/16'' \times 1.27/64''$ $\text{Ø}8 \times 36$

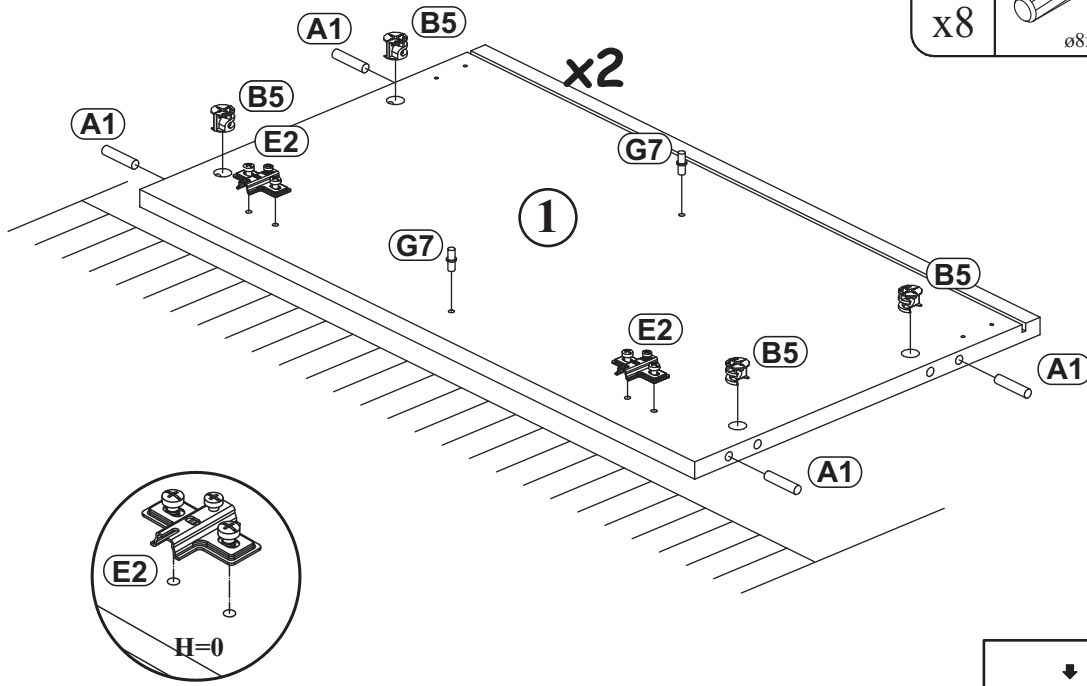
B5	
x8	$\text{Ø}19/32'' \times 15/32''$ $\text{Ø}15 \times 12$

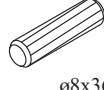
G7	
x4	


1

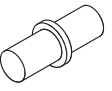


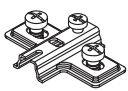
2

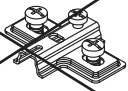


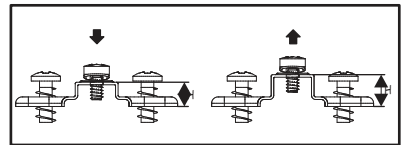
A1	Ø5/16"x1 27/64"
x8	 ø8x36

B5	Ø19/32"x15/32"
X8	 ø15x12

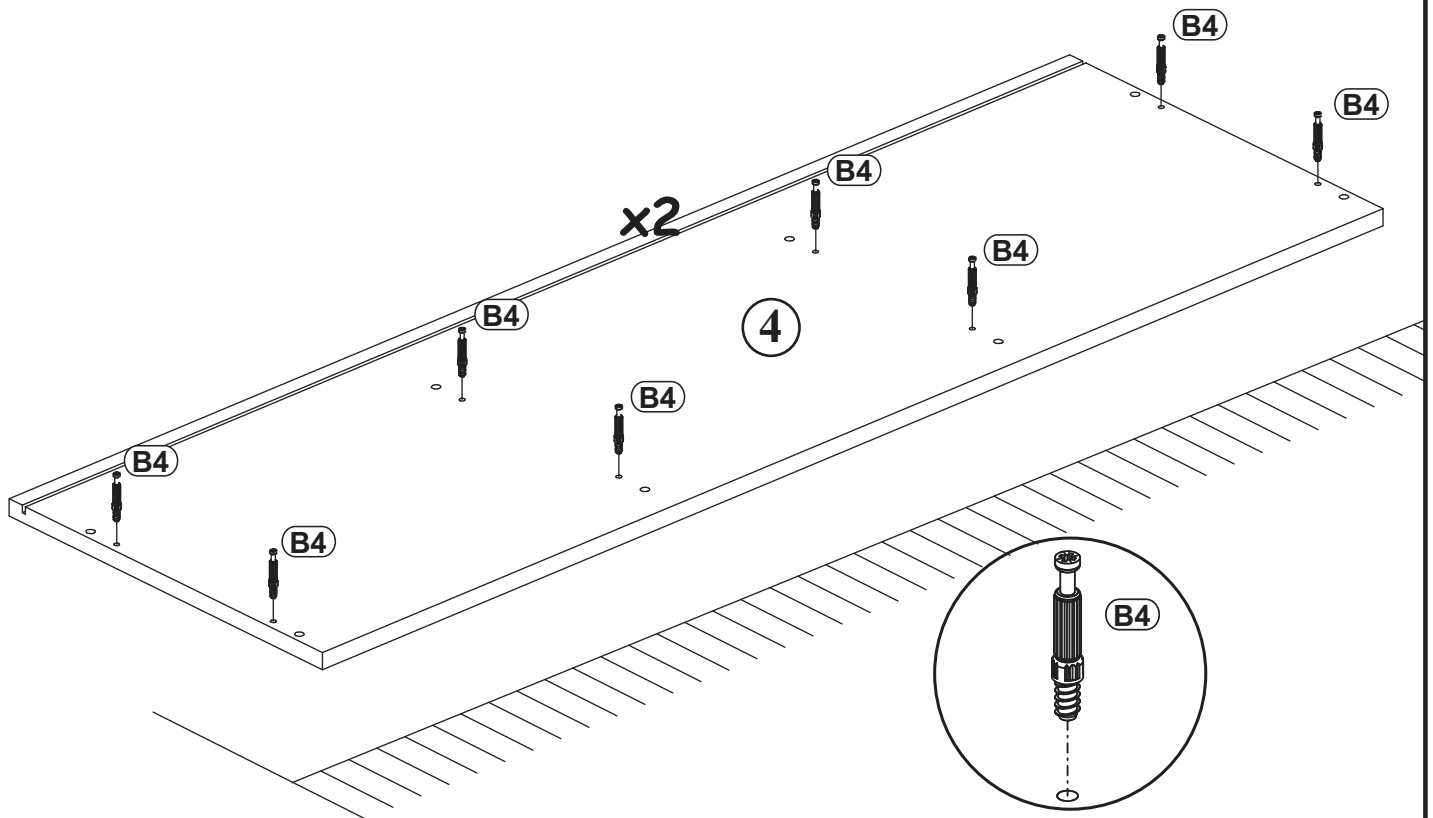
G7	
x4	

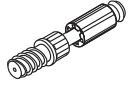
E2	
x4	!!!! H=0

E4	
x2	!!!! H=2

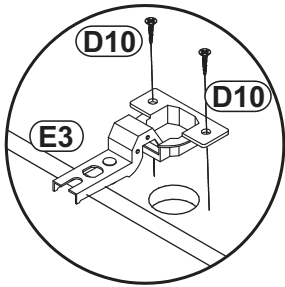
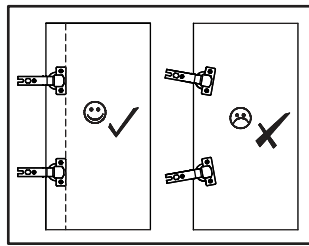


3

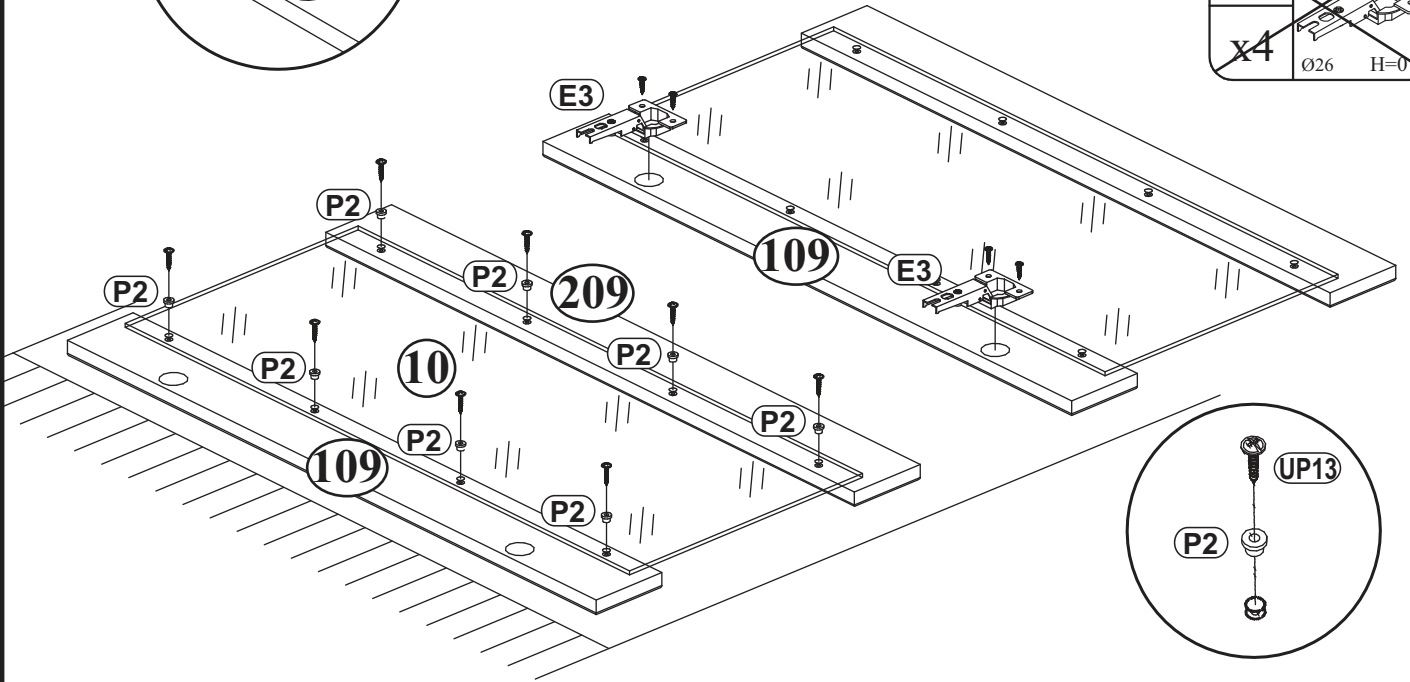


B4	
x16	

4

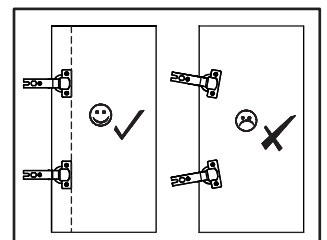
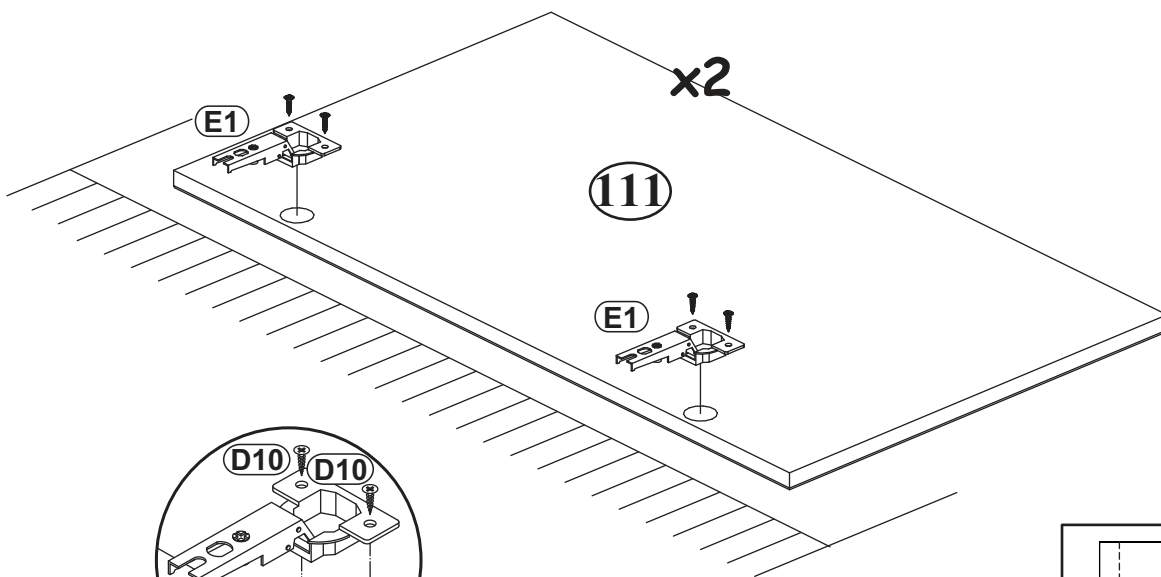


D9	USØ1/8"x25/32"	E3	Ø1 1/32"
x4	USØ3x20	x2	Ø26 H=8
P2		UP13	UPØ1/8"x5/8"
x8		x8	UPØ3x16
		E1	Ø1 1/32"
		x4	Ø26 H=0

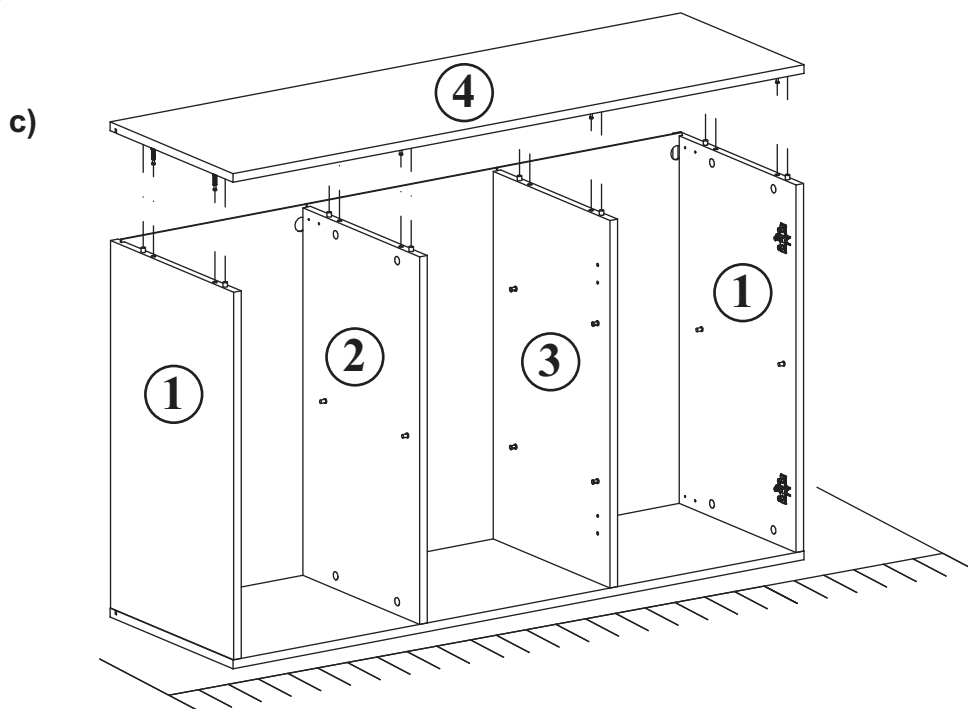
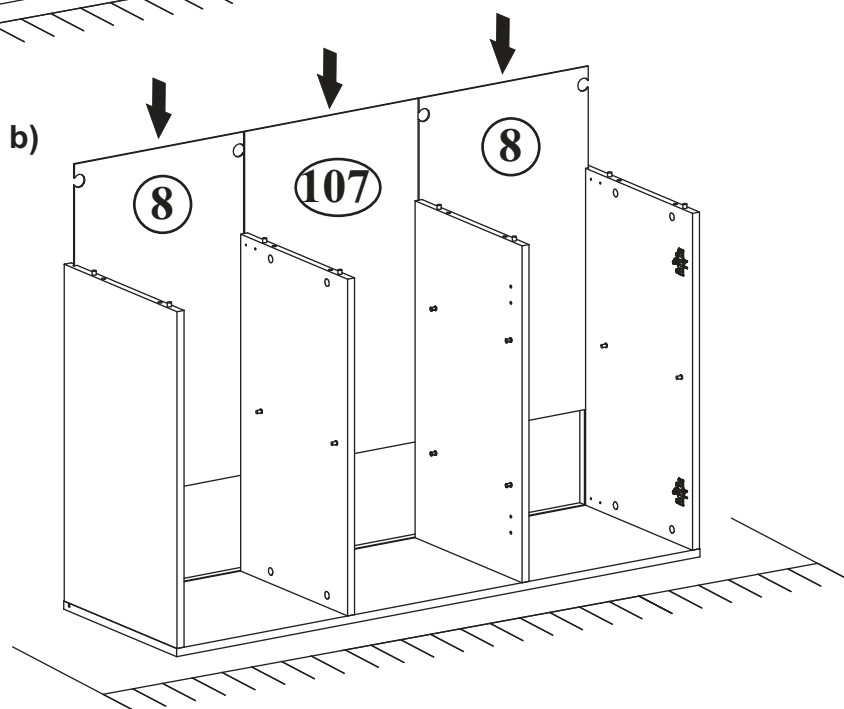
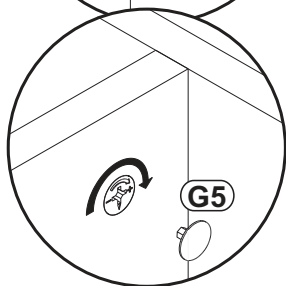
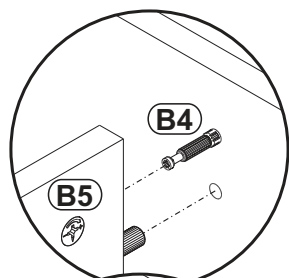
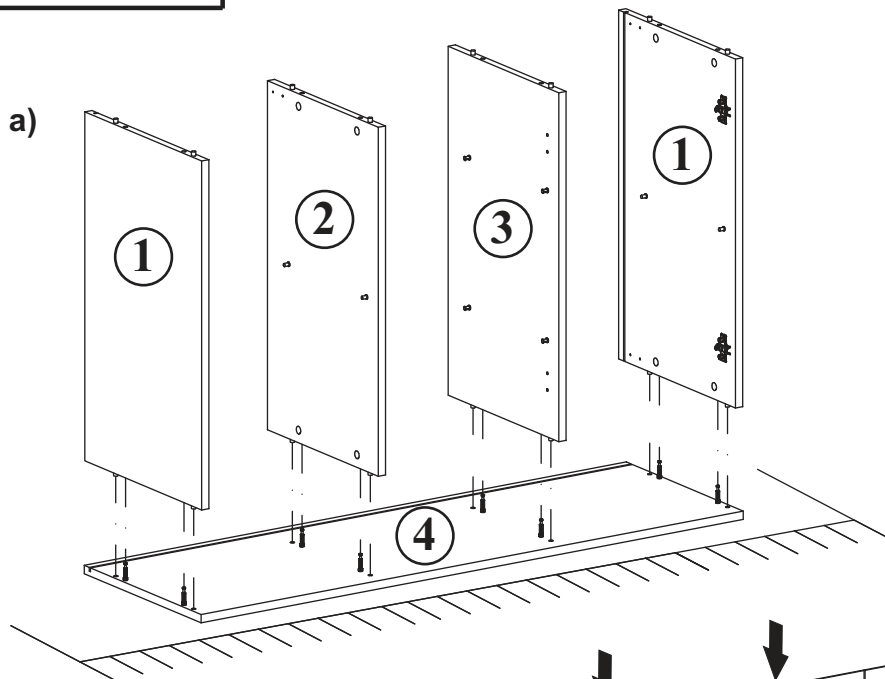


5

D10	USØ9/64"x33/64"	E1	Ø1 1/32"
x8	USØ3,5x13	x4	Ø26 H=0
		E3	Ø1 1/32"
		x2	Ø26 H=8



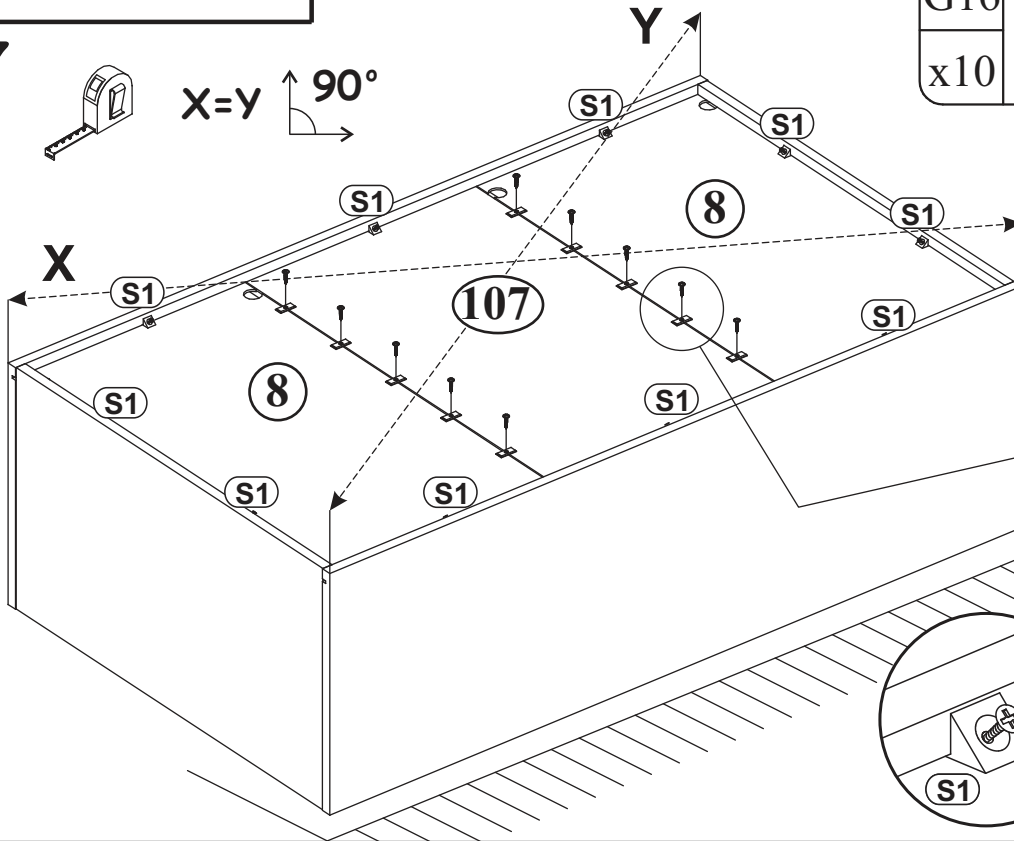
6



7



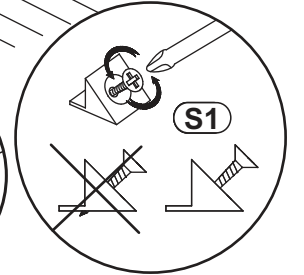
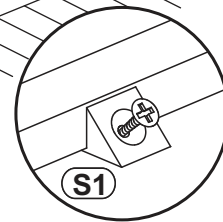
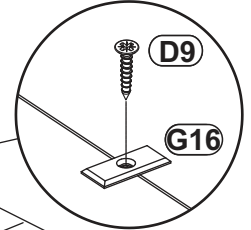
X=Y 90°



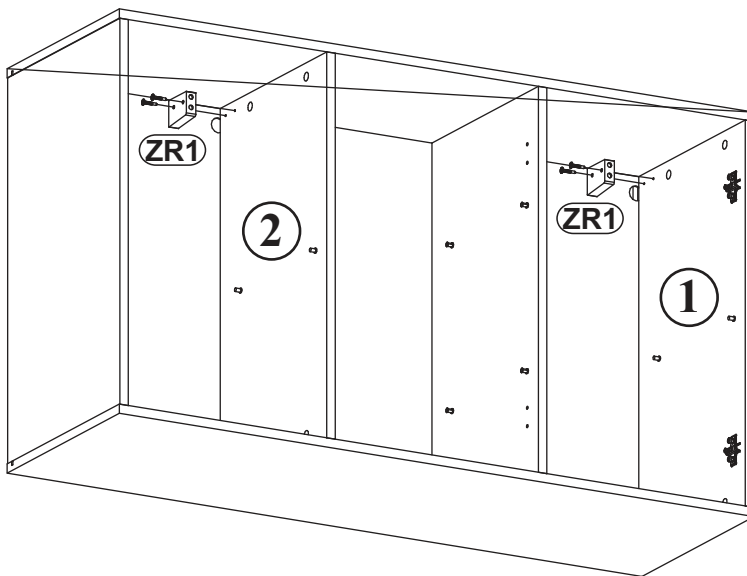
G16	
x10	

D9	USØ1/8"x25/32"
x10	
	USØ3x20

S1	
x10	

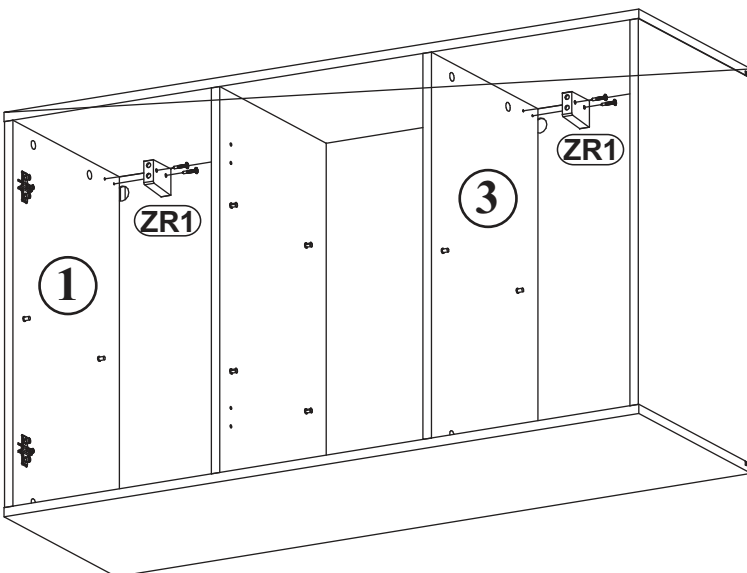
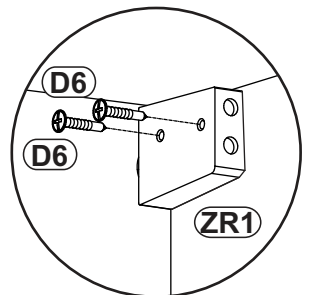
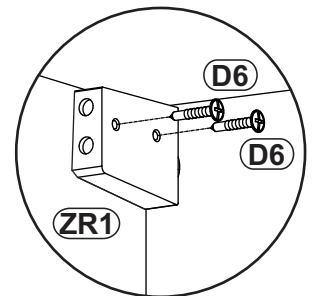


8

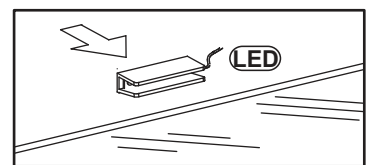
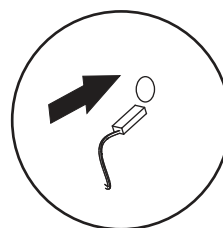
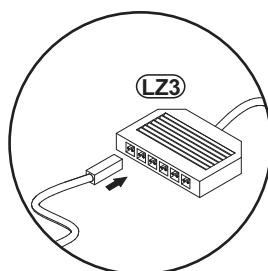
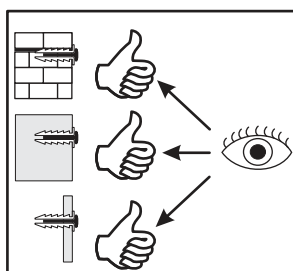
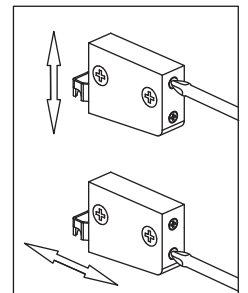
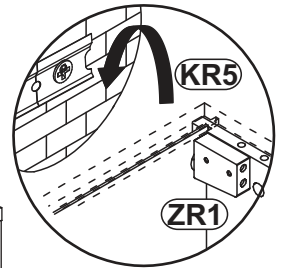
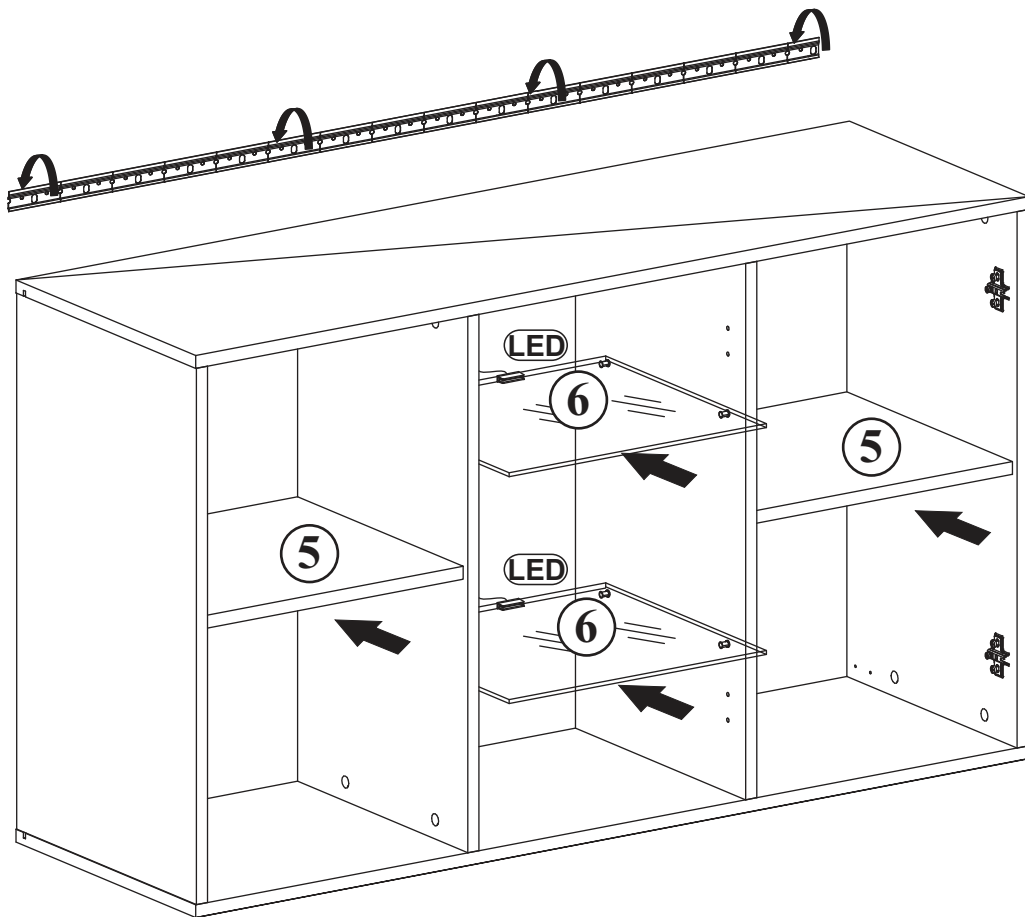
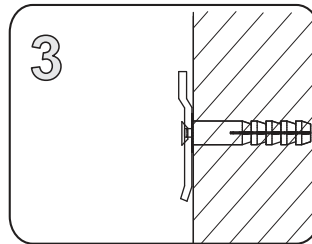
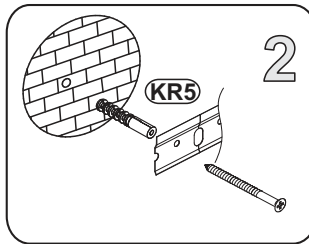
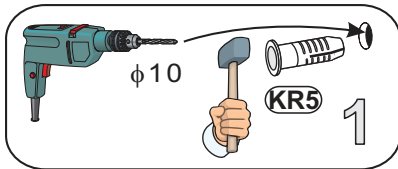
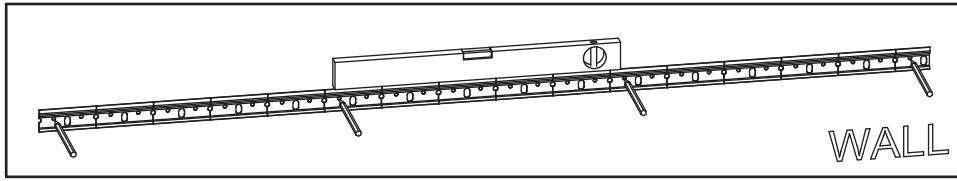
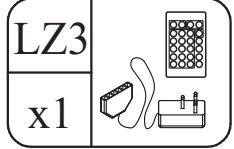
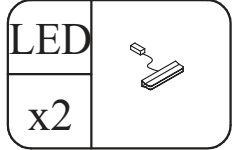
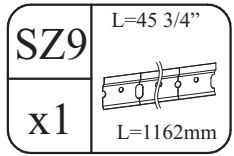
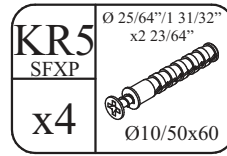
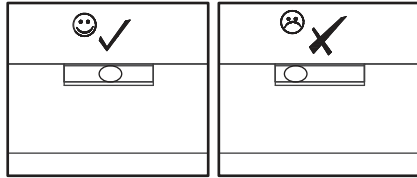


ZR1	
x4	

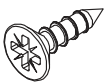
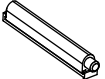
D6	USØ9/64"x1 3/16"
x8	
	USØ3,5x30

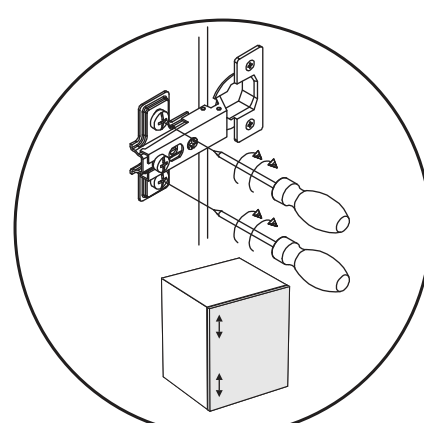
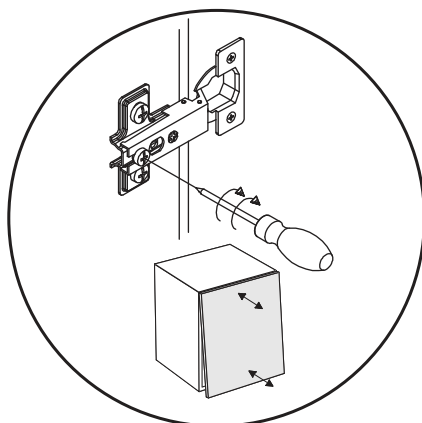
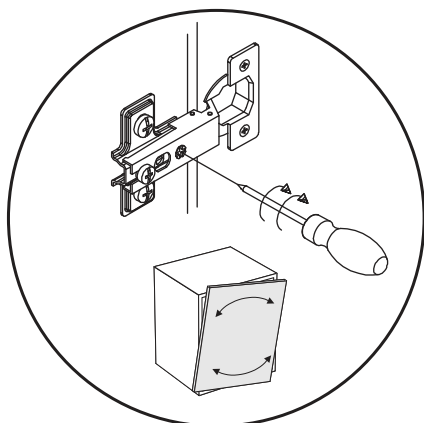
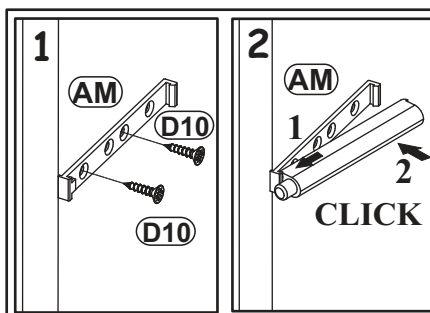
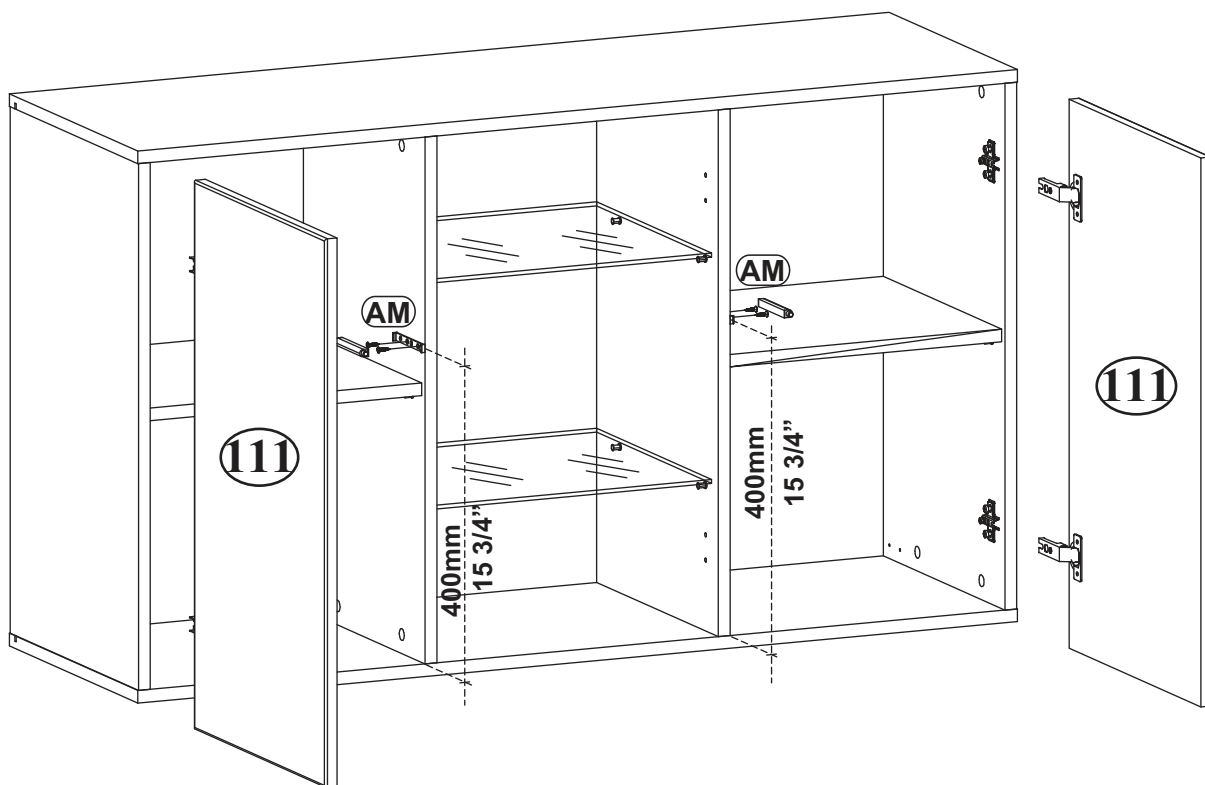


9

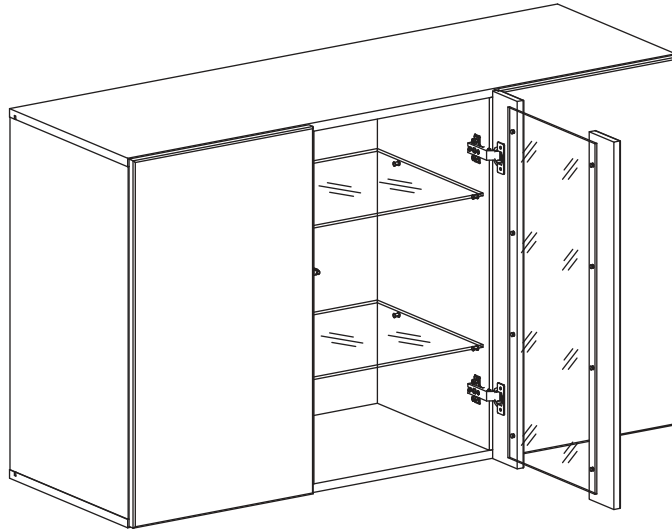


10

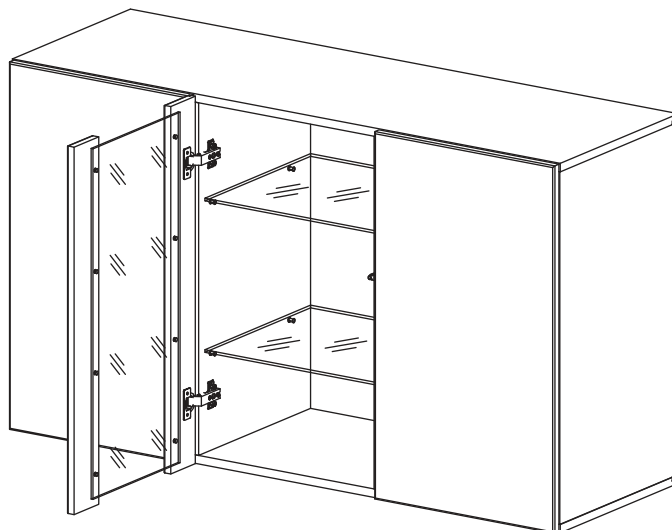
D10	US09/64"x33/64"
x4	 USØ3,5x13
AM	
x2	



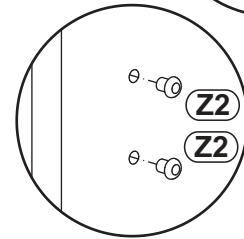
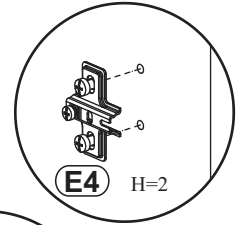
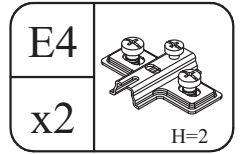
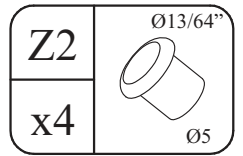
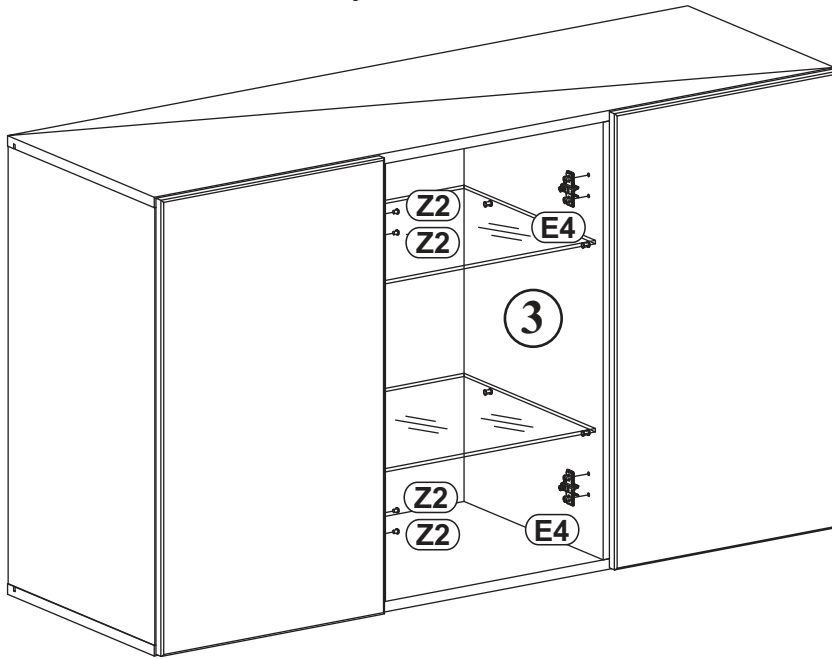
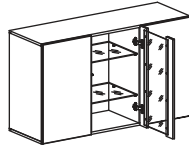
11 - 12



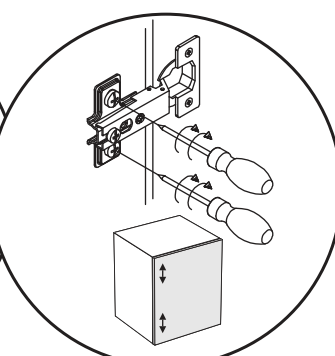
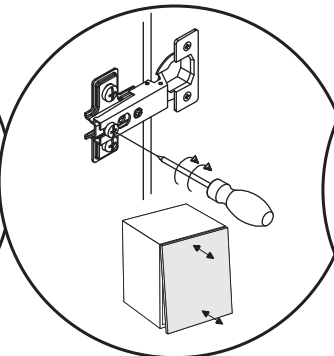
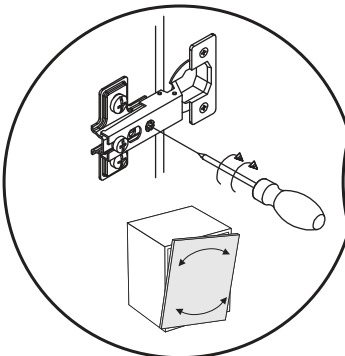
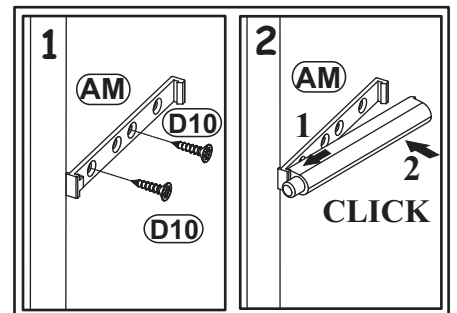
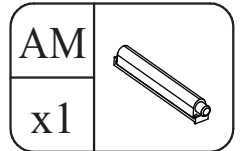
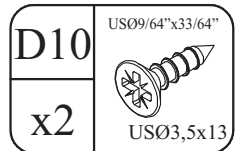
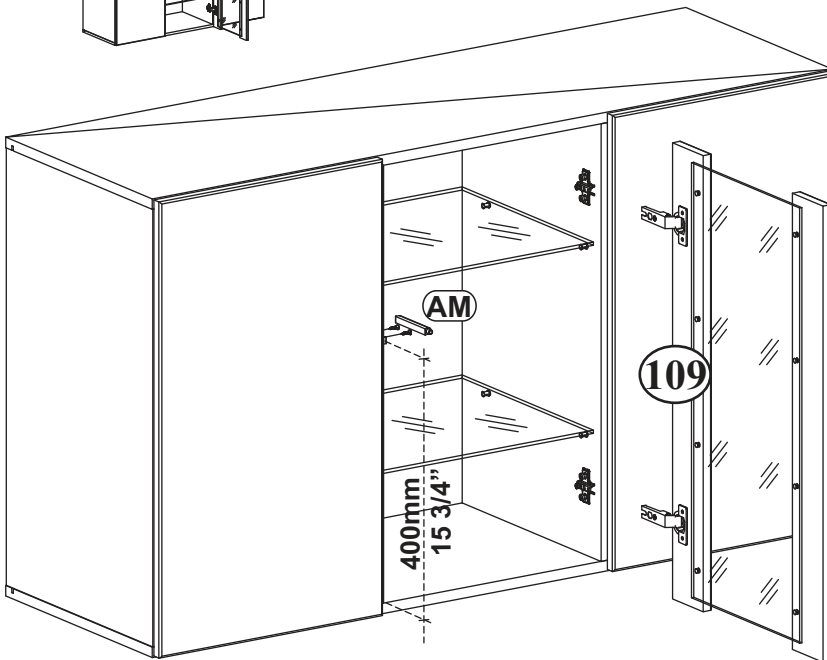
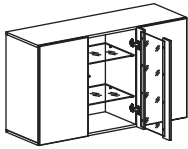
13 - 14



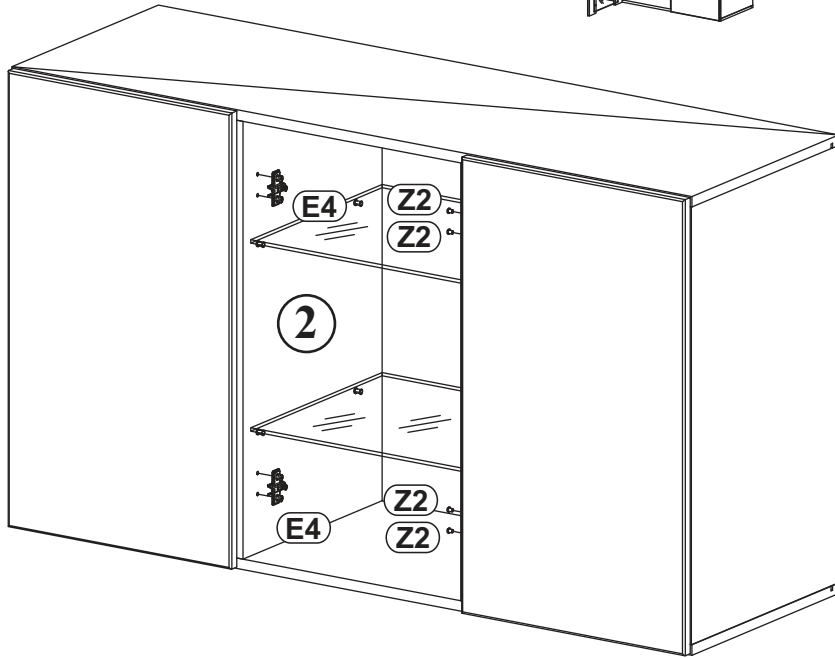
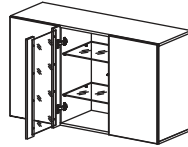
11



12

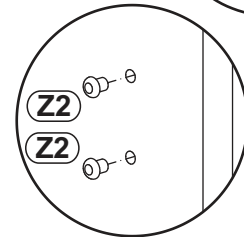
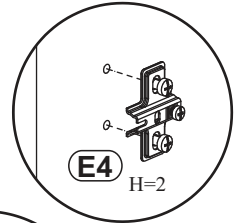


13

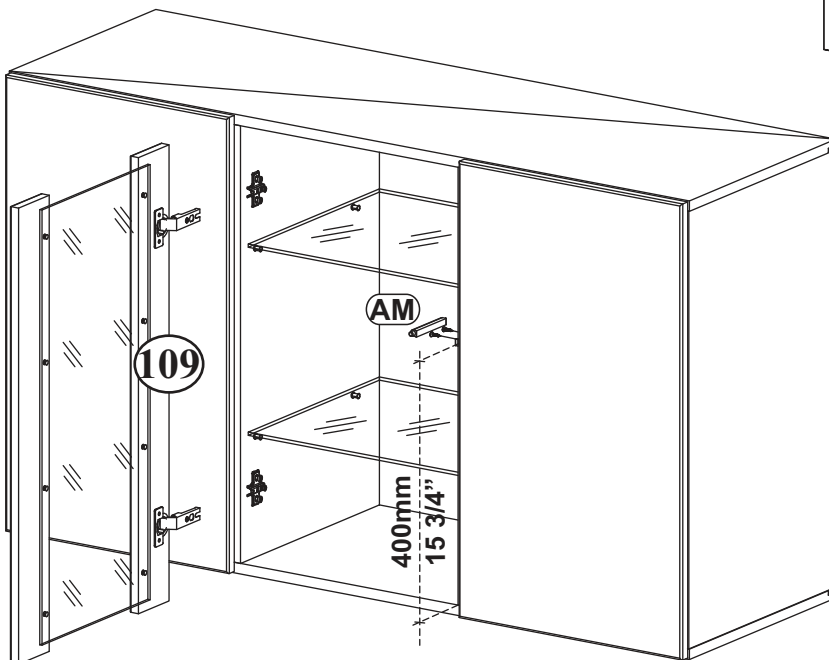
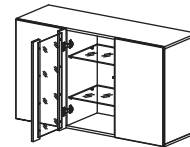


Z2	Ø13/64"
x4	Ø5

E4	
x2	H=2



14



D10	US09/64"x33/64"
x2	USØ3,5x13

AM	
x1	

