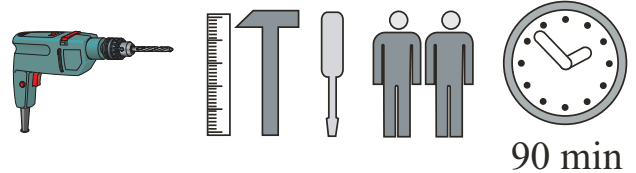
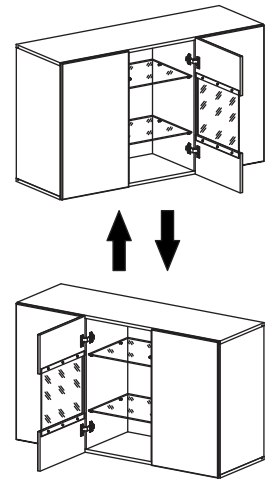
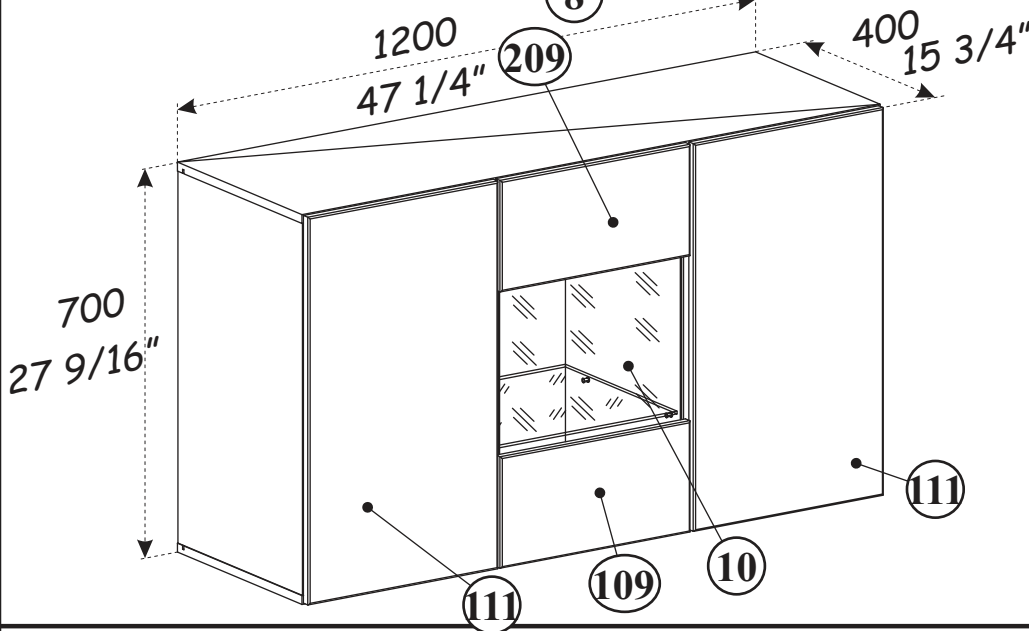
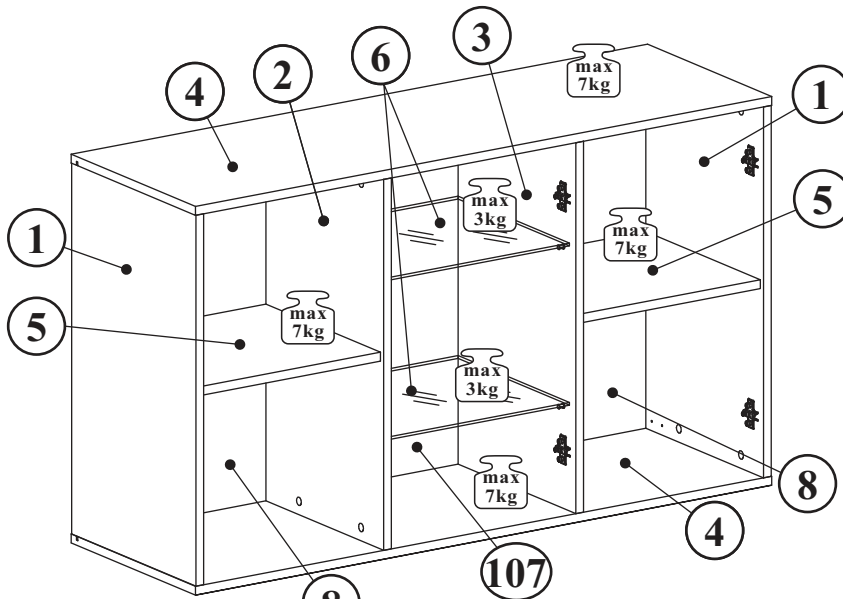
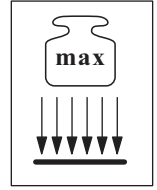


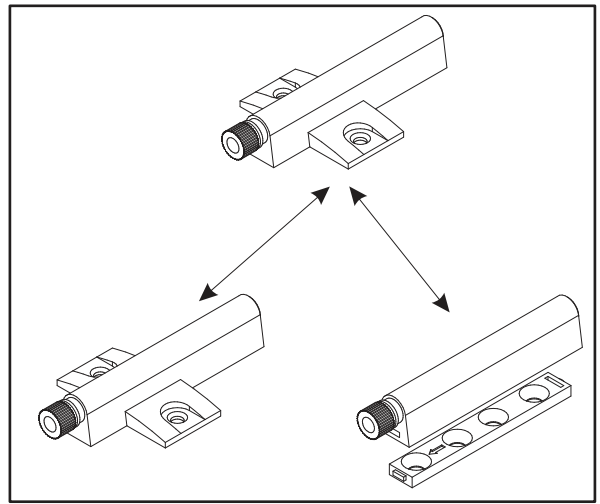
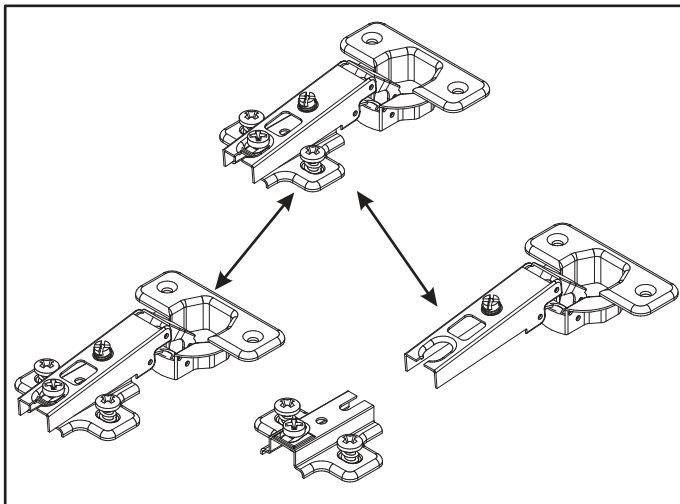
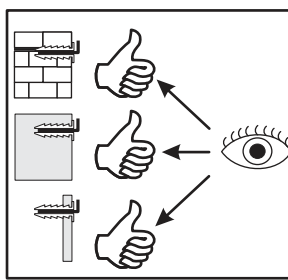
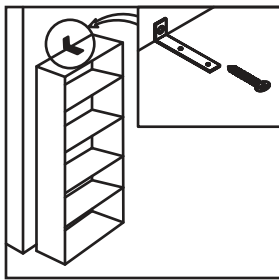
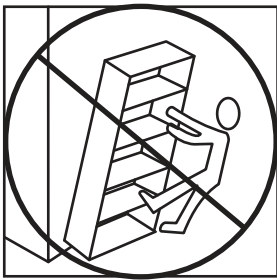
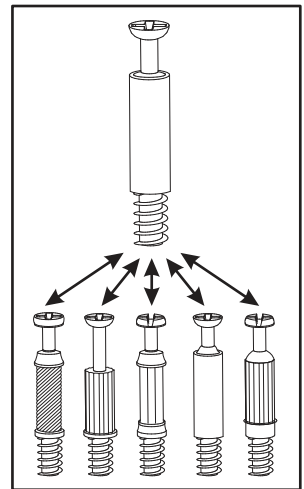
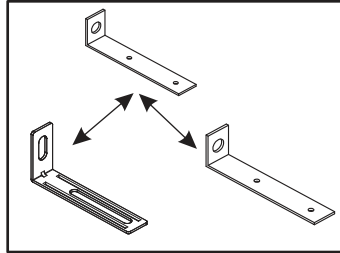
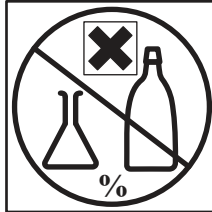
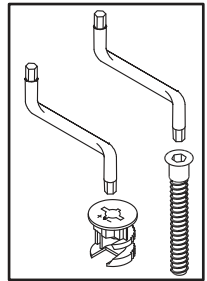
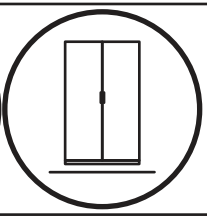
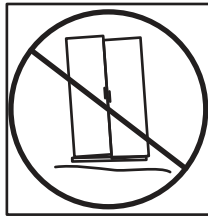
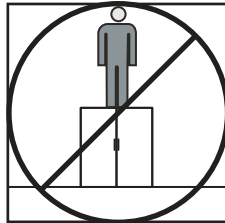
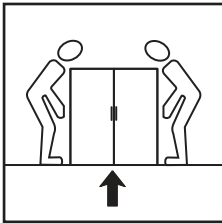
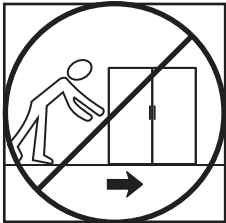
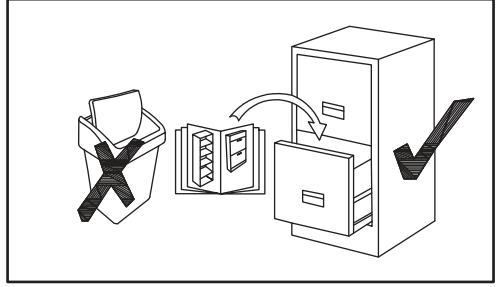
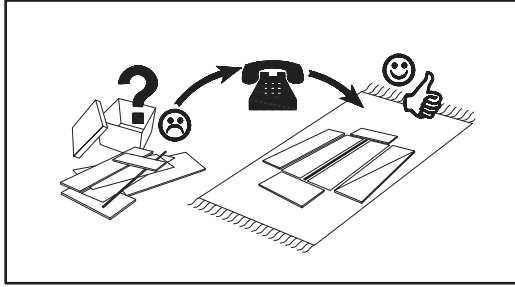
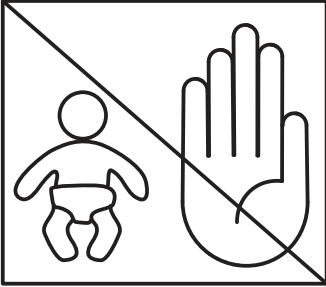
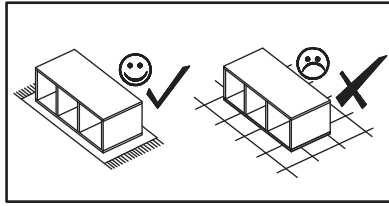
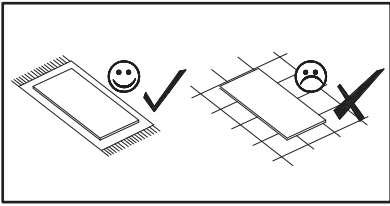
# FLY TYP- SB II-C




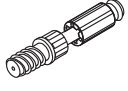


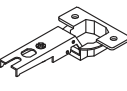
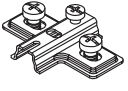
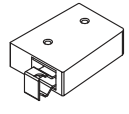

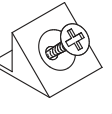

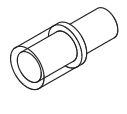

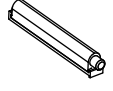

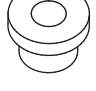
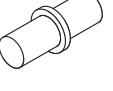
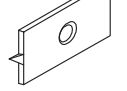

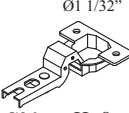
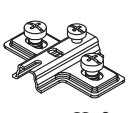

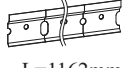
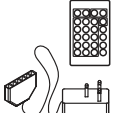
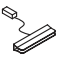

NO	Dim.			Col.-No	Qty
1	668	384	16	1	2
2	668	364	16	1	1
3	668	364	16	1	1
4	1200	384	16	1	2
5	375	354	16	1	2
6	382	344	5	1	2
7	680	398	3	1	1
8	680	388	3	1	2
209	394	200	16	1	1
109	394	200	16	1	1
10	378	345	4	1	1
111	394	696	16	1	2

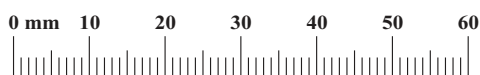
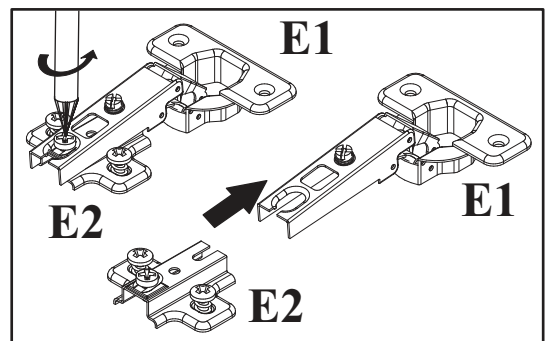
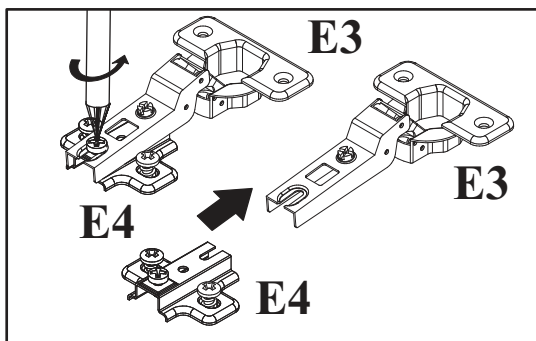
NO	Dim.			Col.-No	Qty
1	26 19/64	15 1/8	5/8	1	2
2	26 19/64	14 21/64	5/8	1	1
3	26 19/64	14 21/64	5/8	1	1
4	47 1/4	15 1/8	5/8	1	2
5	14 49/64	13 15/16	5/8	1	2
6	15 3/64	13 35/64	13/64	1	2
7	26 49/64	15 43/64	1/8	1	1
8	26 49/64	15 9/32	1/8	1	2
209	15 33/64	7 7/8	5/8	1	1
109	15 33/64	7 7/8	5/8	1	1
10	14 7/8	13 37/64	5/32	1	1
111	15 33/64	27 13/32	5/8	1	2

FLY TYP- SB II-C

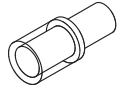


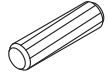
# FLY TYP- SB II-C

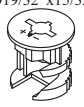
A1 x16	Ø5/16"x1 27/64"  ø8x36	B4 x16		B5 x16	Ø19/32"x15/32"  ø15x12	G5 x16		E1 x4	Ø1 1/32"  Ø26 H=0	E2 x4	 H=0
ZR1 x4		D6 x8	USØ9/64"x1 3/16"  USØ3,5x30	S1 x10		D10 x18	USØ9/64"x33/64"  USØ3,5x13	G20 x8		Z2 x4	Ø13/64"  Ø5
AM x3		UP13 x6	UPØ1/8"x5/8"  UPØ3x16	P2 x6		G7 x8		G16 x10		D9 x10	USØ1/8"x25/32"  USØ3x20
E3 x2	Ø1 1/32"  Ø26 H=8	E4 x2	 H=2	KR5 SFXP x4	Ø 25/64"/1 31/32" x2 23/64"  Ø10/50x60	SZ9 x1	L=45 3/4"  L=1162mm	LZ3 x1		LED x2	
G2 x1											

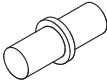


FLY TYP- SB II-C

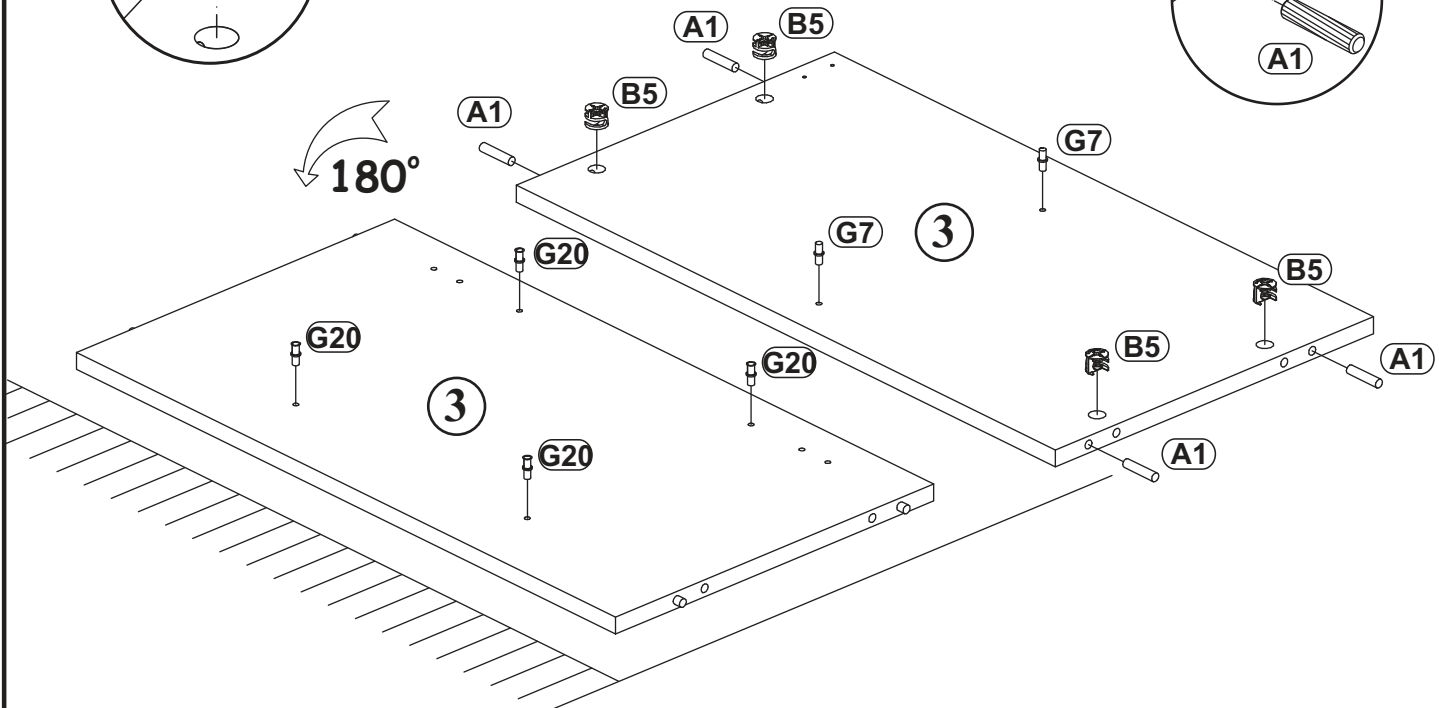
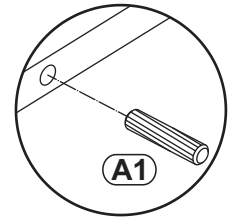
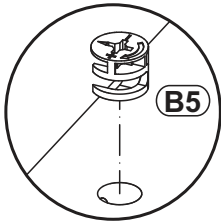
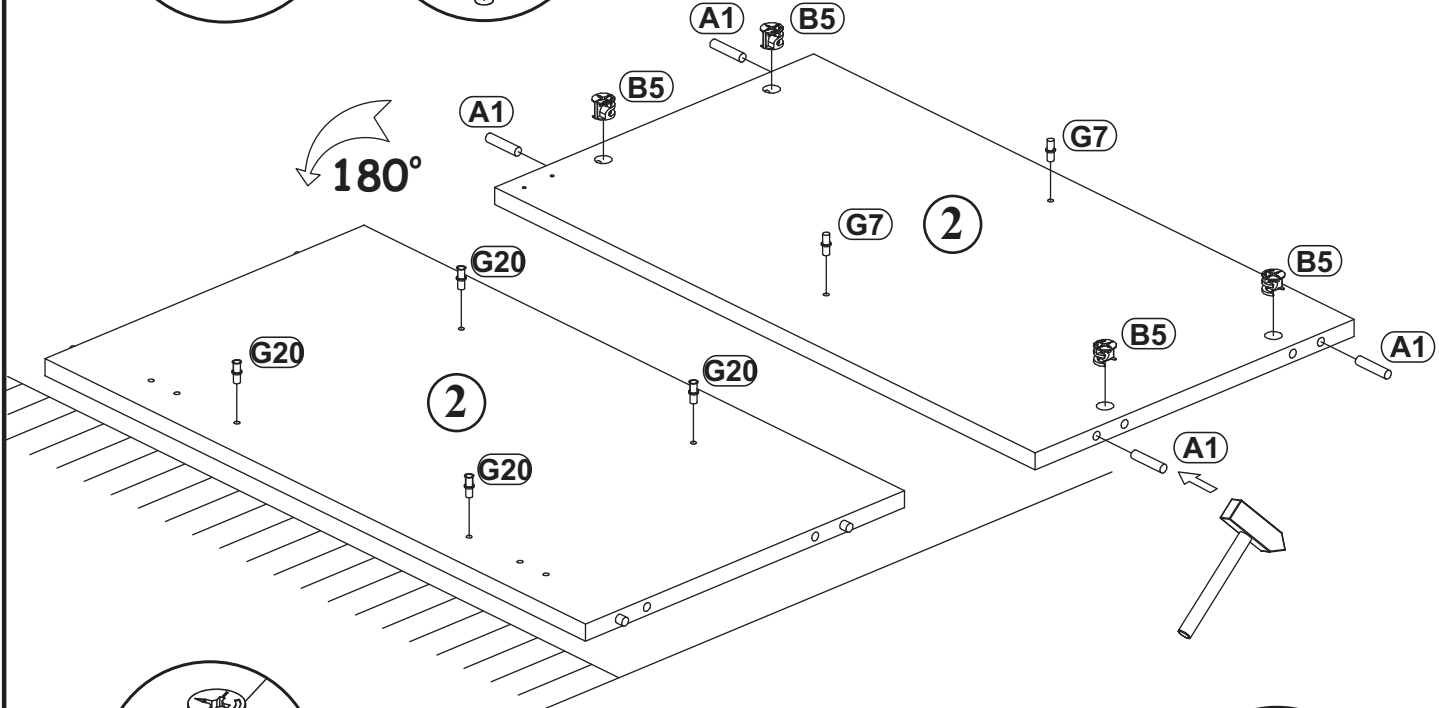
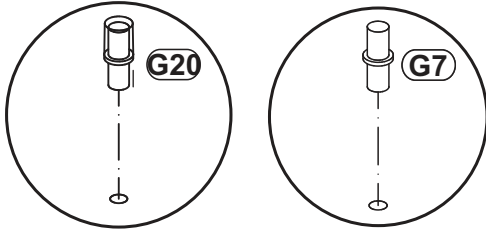
G20	
x8	

A1	Ø5/16"x1 27/64"
x8	 ø8x36

B5	Ø19/32"x15/32"
x8	 ø15x12

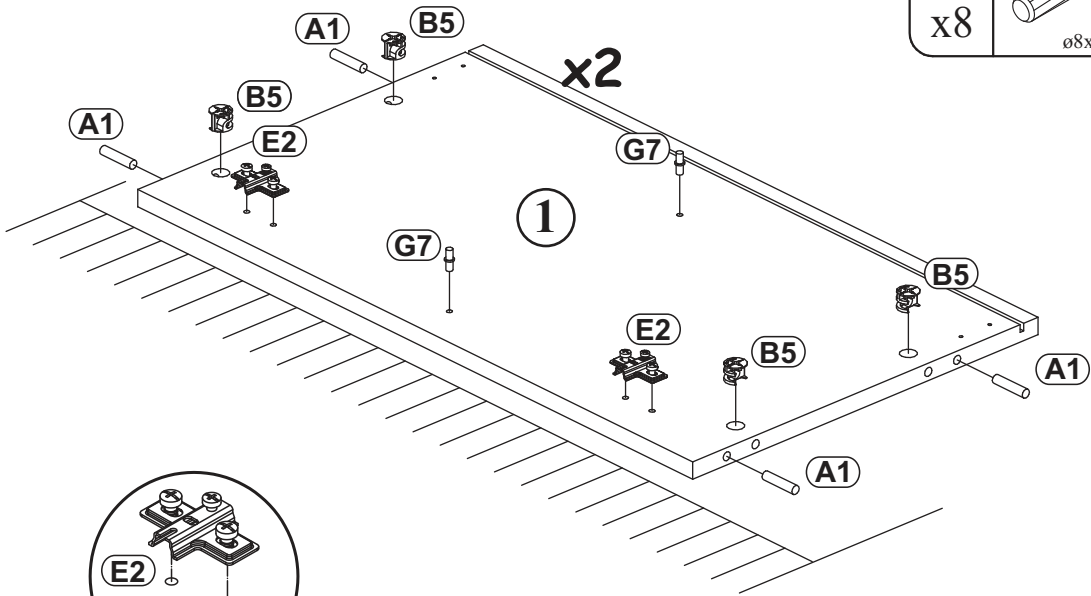
G7	
x4	

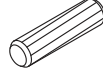
1




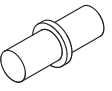
FLY TYP- SB II-C

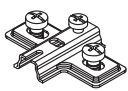
2

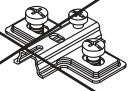


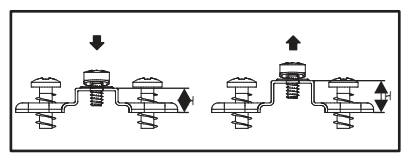
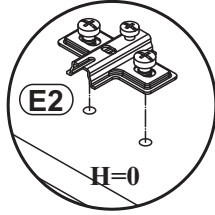
A1	Ø5/16"x1 27/64"
x8	 ø8x36

B5	Ø19/32"x15/32"
x8	 ø15x12

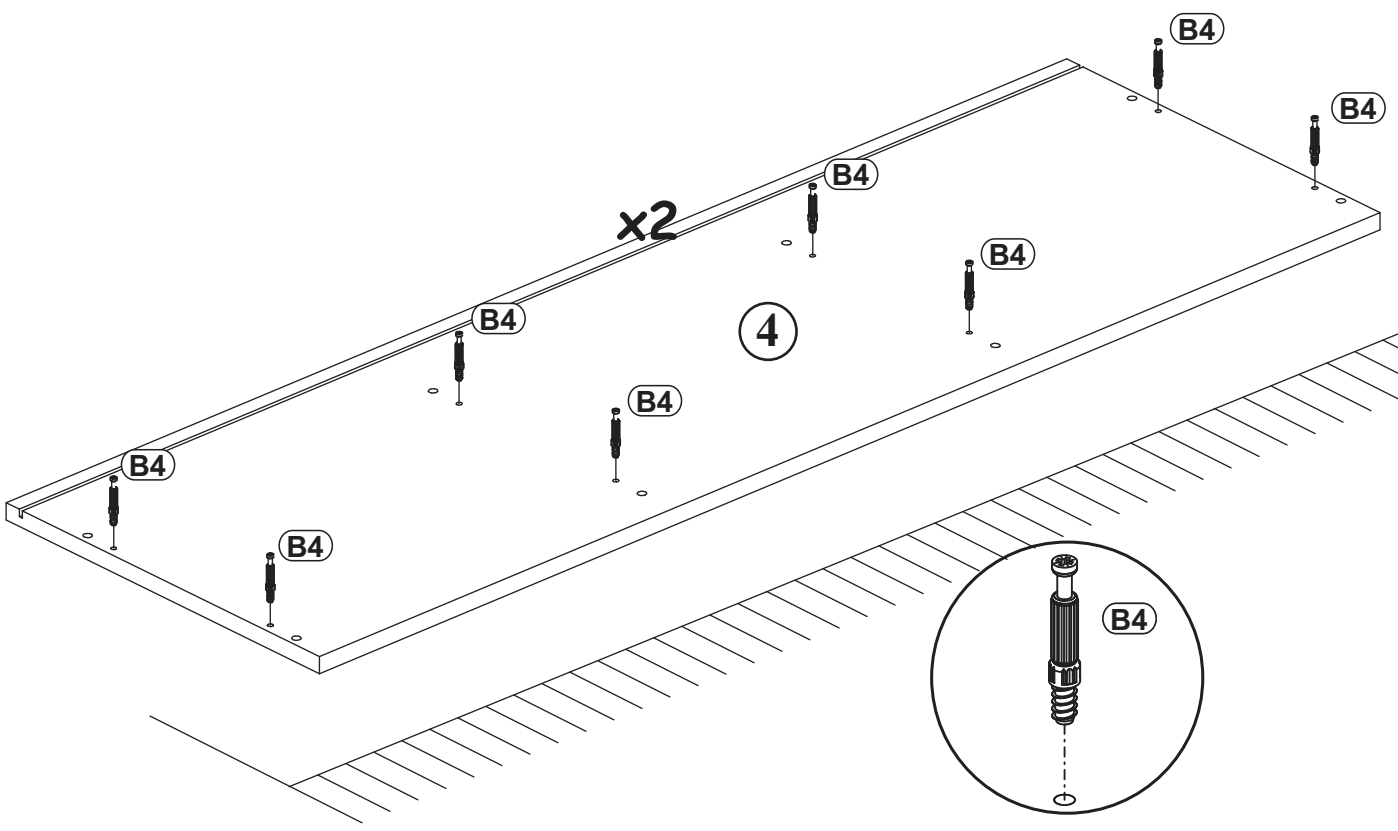
G7	
x4	

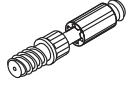
E2	
x4	!!!! H=0

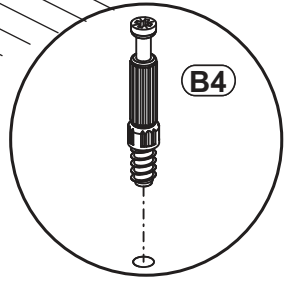
E4	
x2	!!!! H=2



3

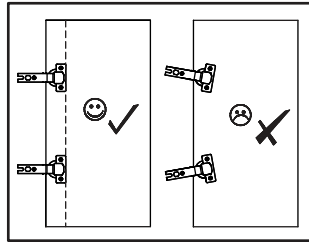
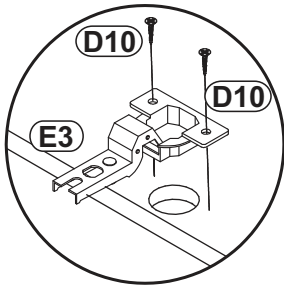


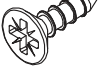
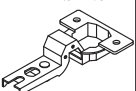



B4	
x16	

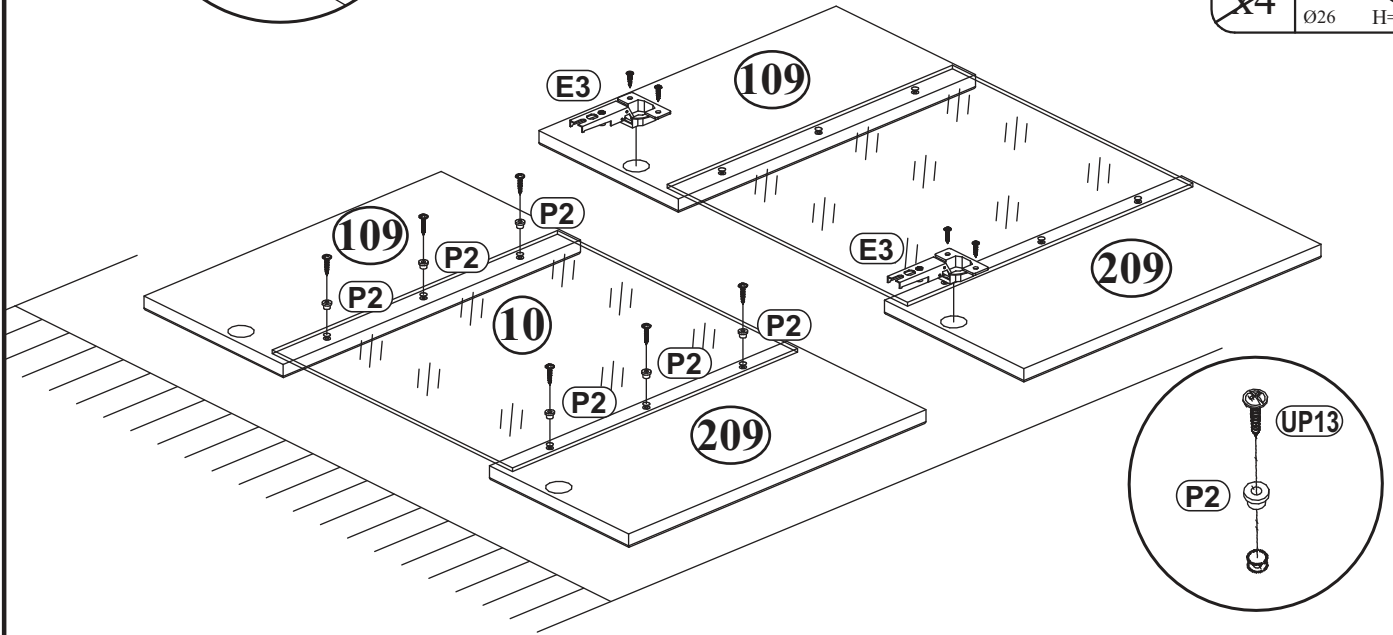


FLY TYP- SB II-C

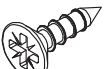
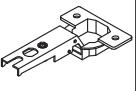
4

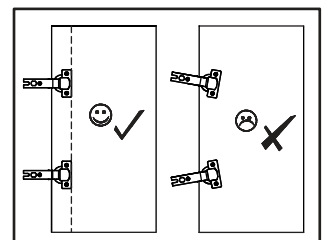
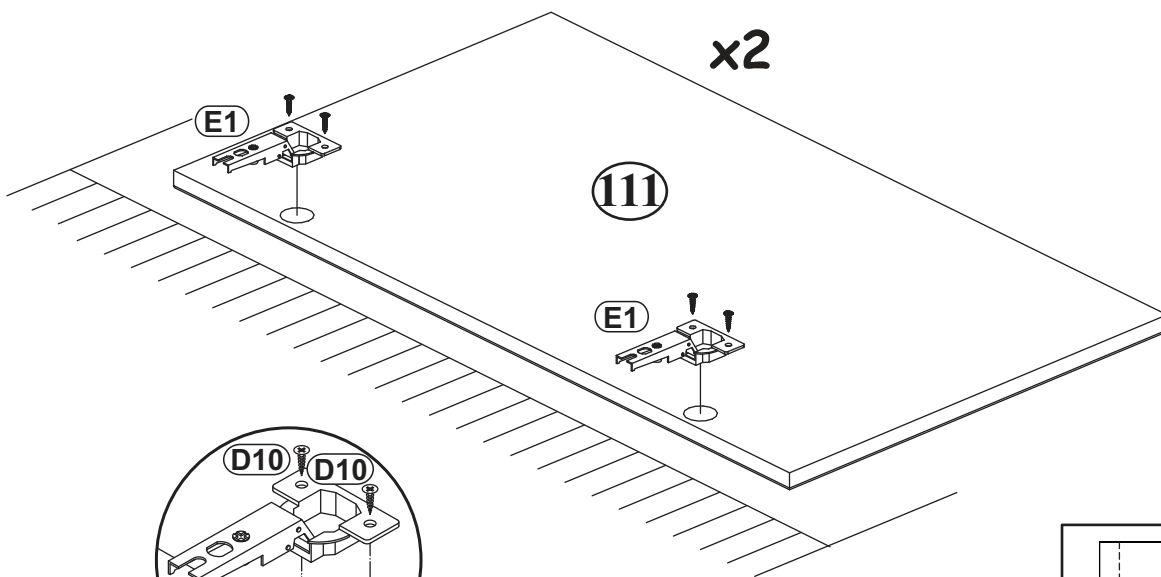


D10	US09/64"x33/64"	E3	Ø1 1/32"
x4	 USØ3,5x13	x2	 Ø26 H=8
P2		UP13	UPØ1/8"x5/8"
x6		x6	 UPØ3x16
		E1	Ø1 1/32"
		x4	 Ø26 H=0

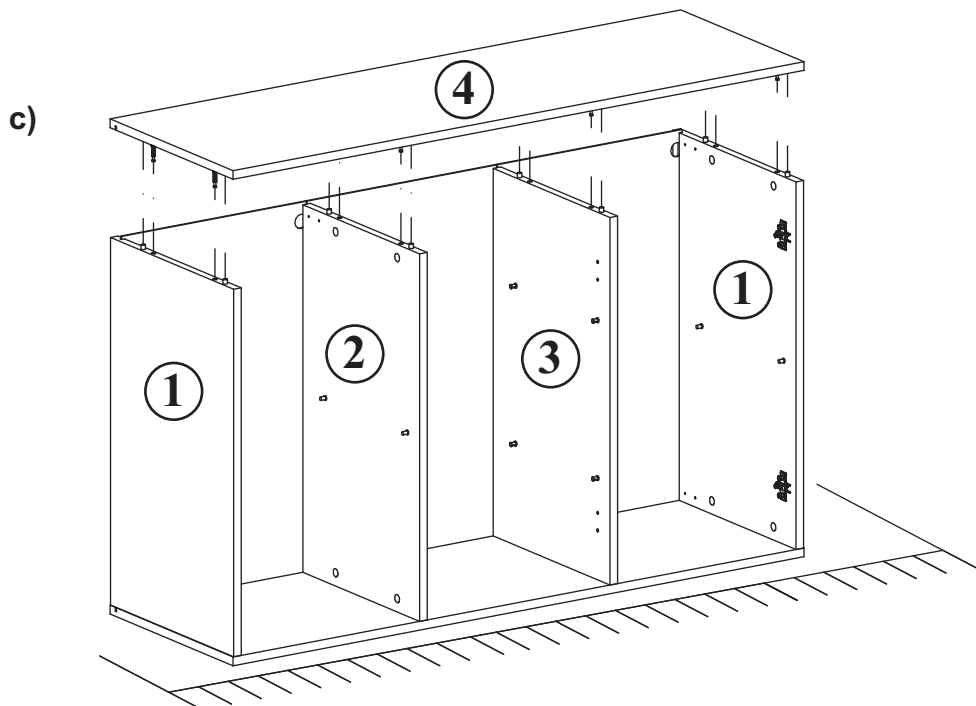
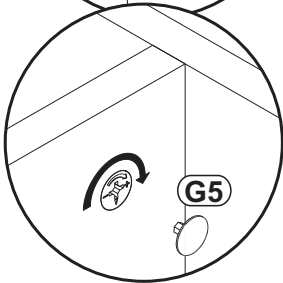
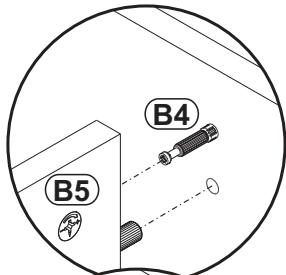
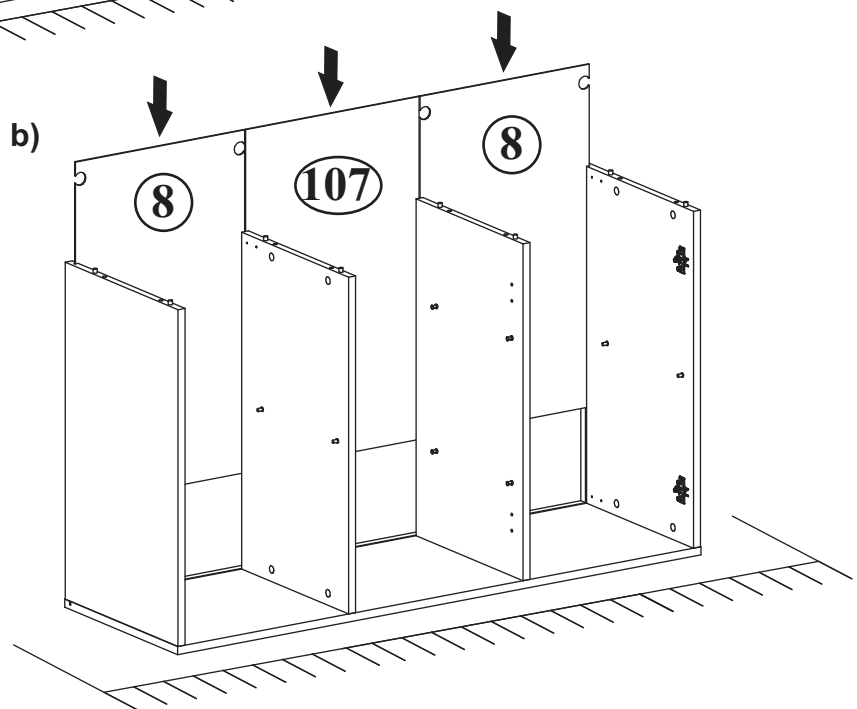
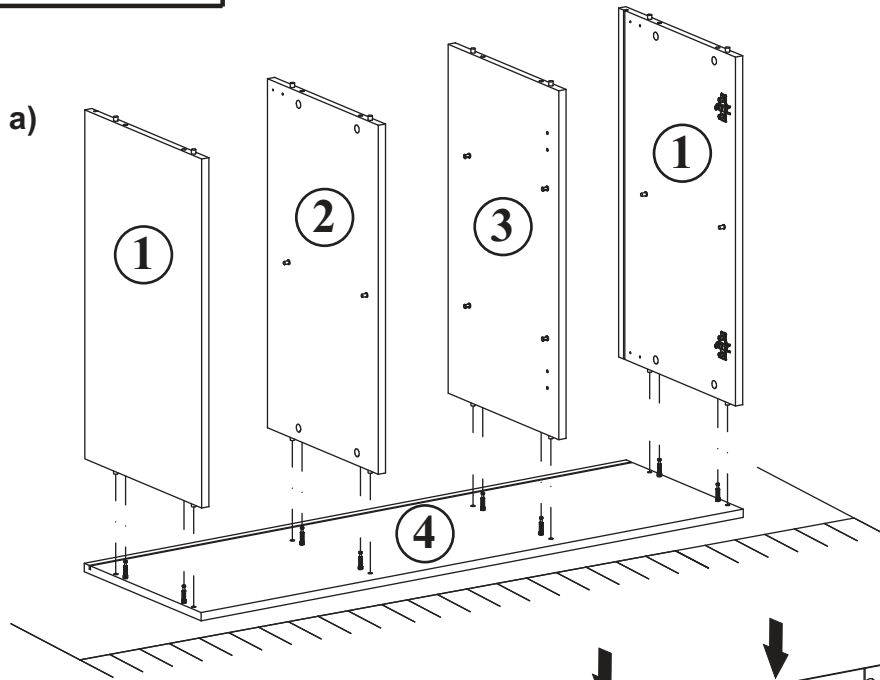


5

D10	US09/64"x33/64"	E1	Ø1 1/32"
x8	 USØ3,5x13	x4	 Ø26 H=0



6

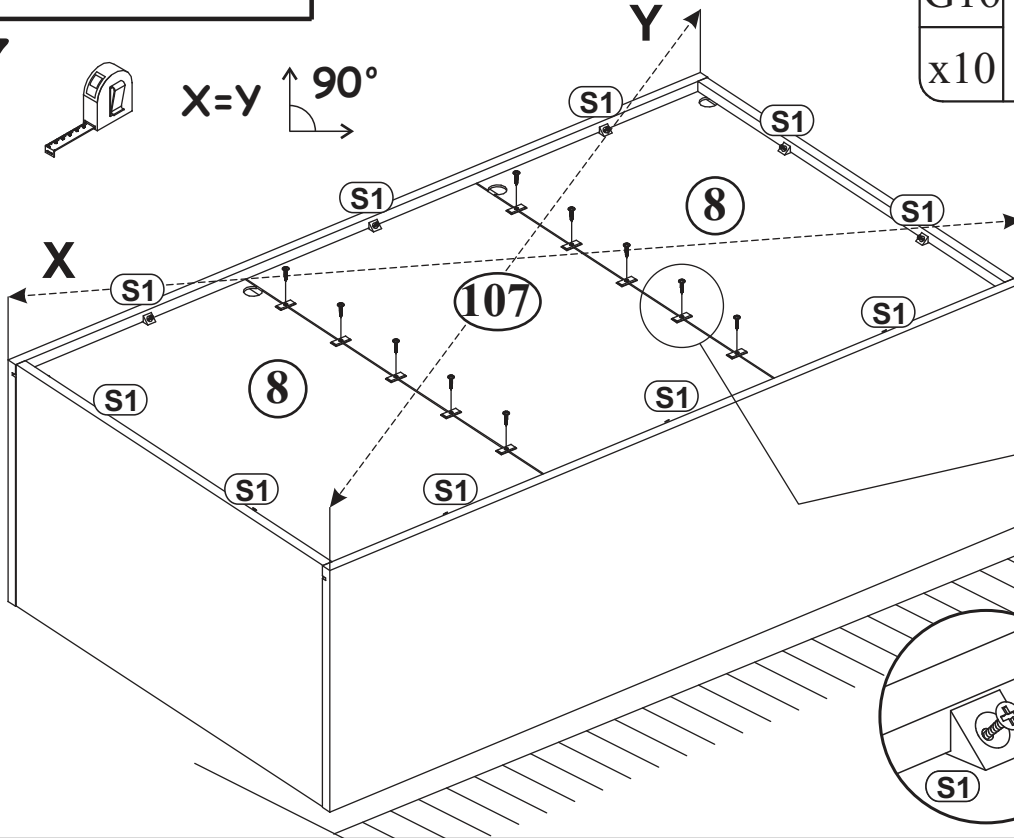


FLY TYP- SB II-C

7



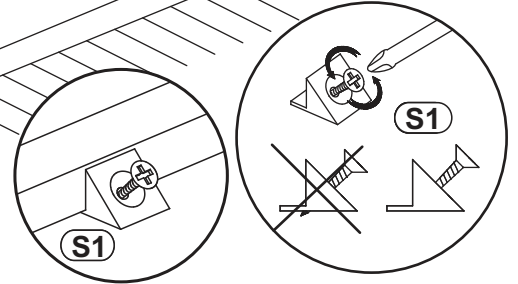
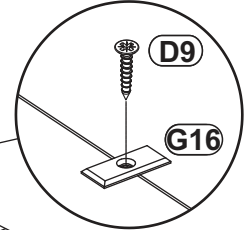
X=Y 90°



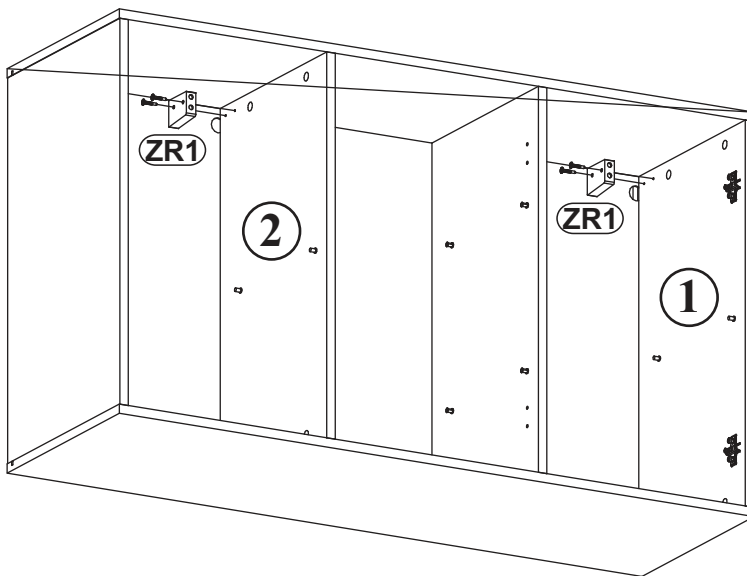
G16	
x10	

D9	USØ1/8"x25/32"
x10	
	USØ3x20

S1	
x10	

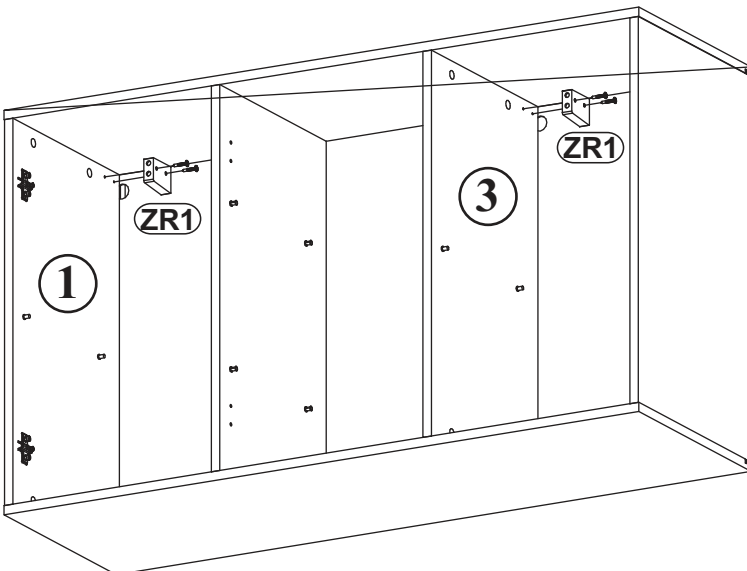
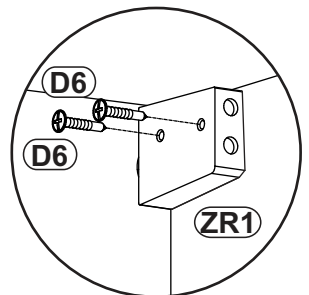
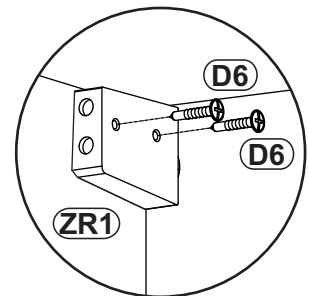


8



ZR1	
x4	

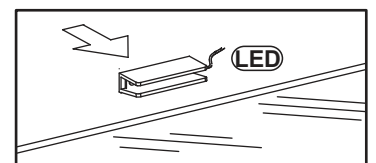
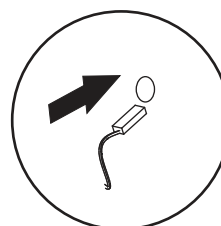
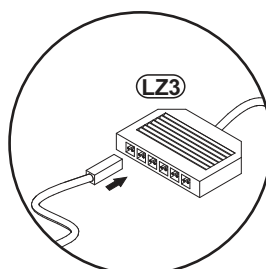
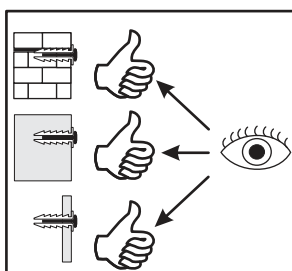
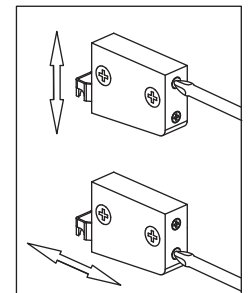
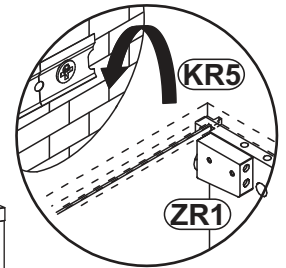
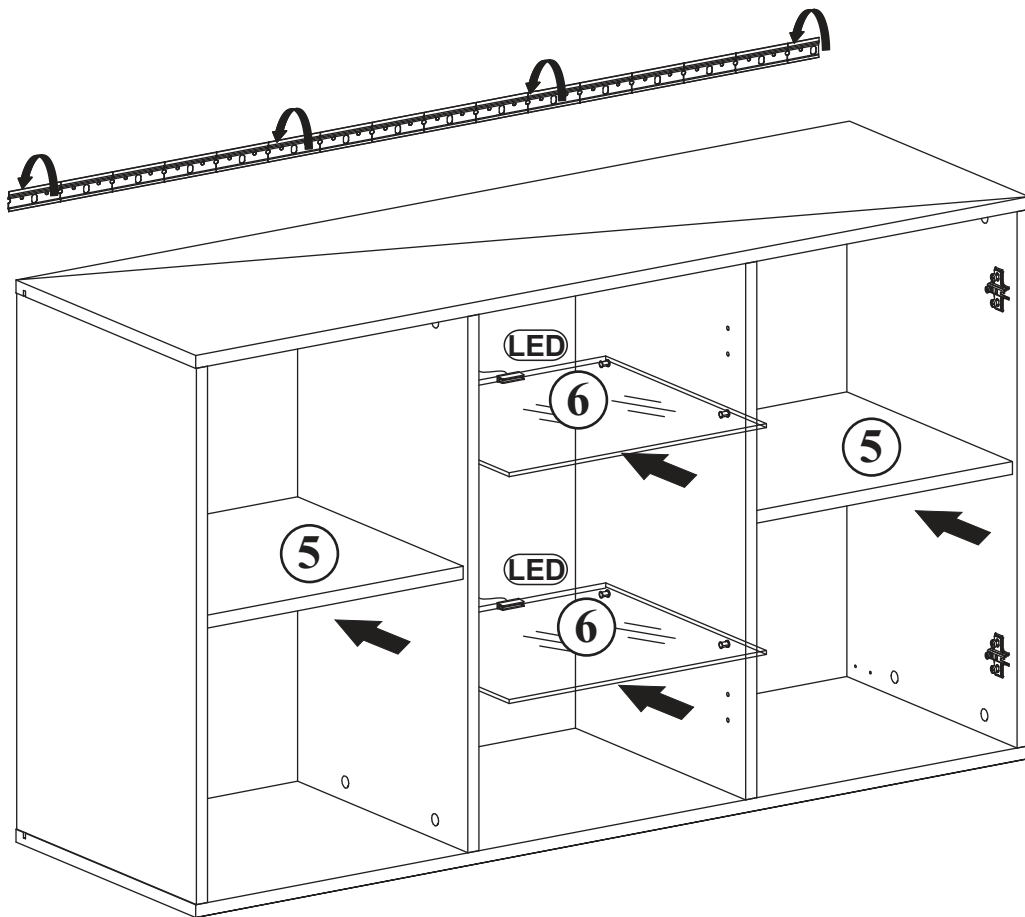
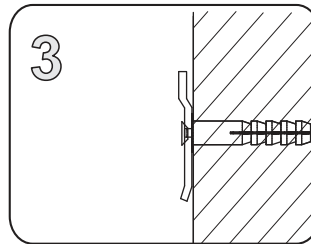
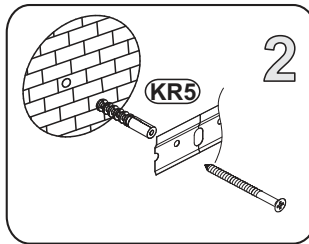
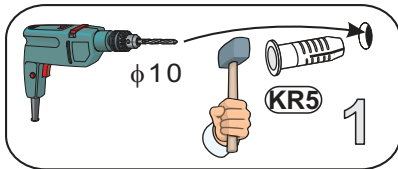
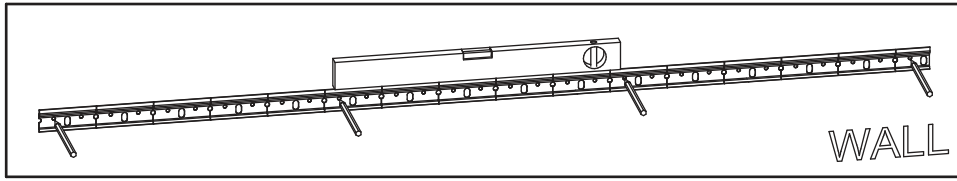
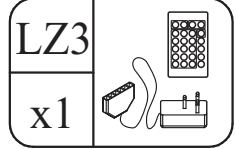
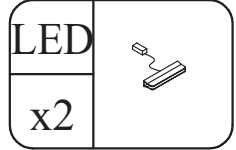
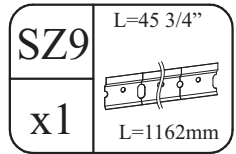
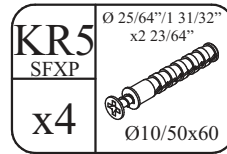
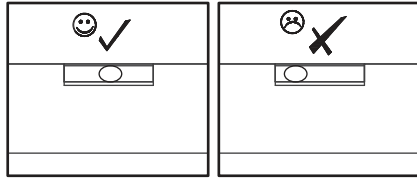
D6	USØ9/64"x1 3/16"
x8	
	USØ3,5x30



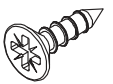
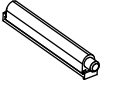


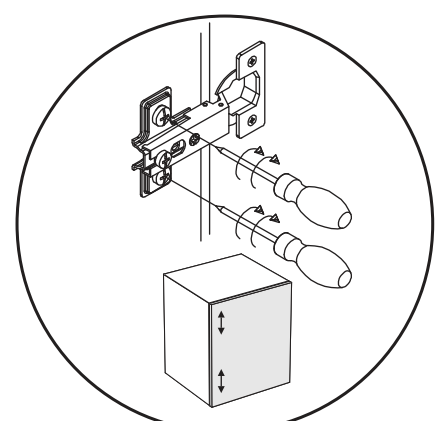
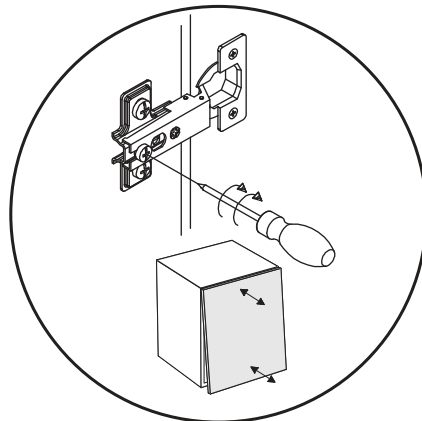
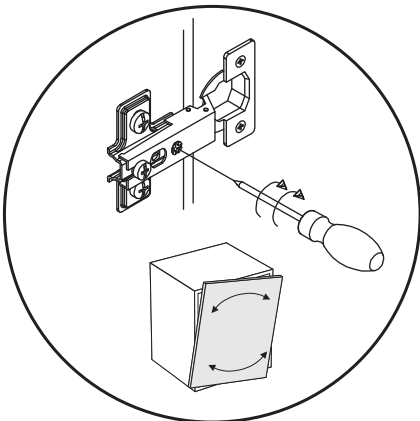
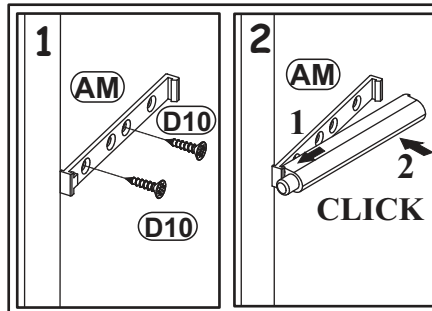
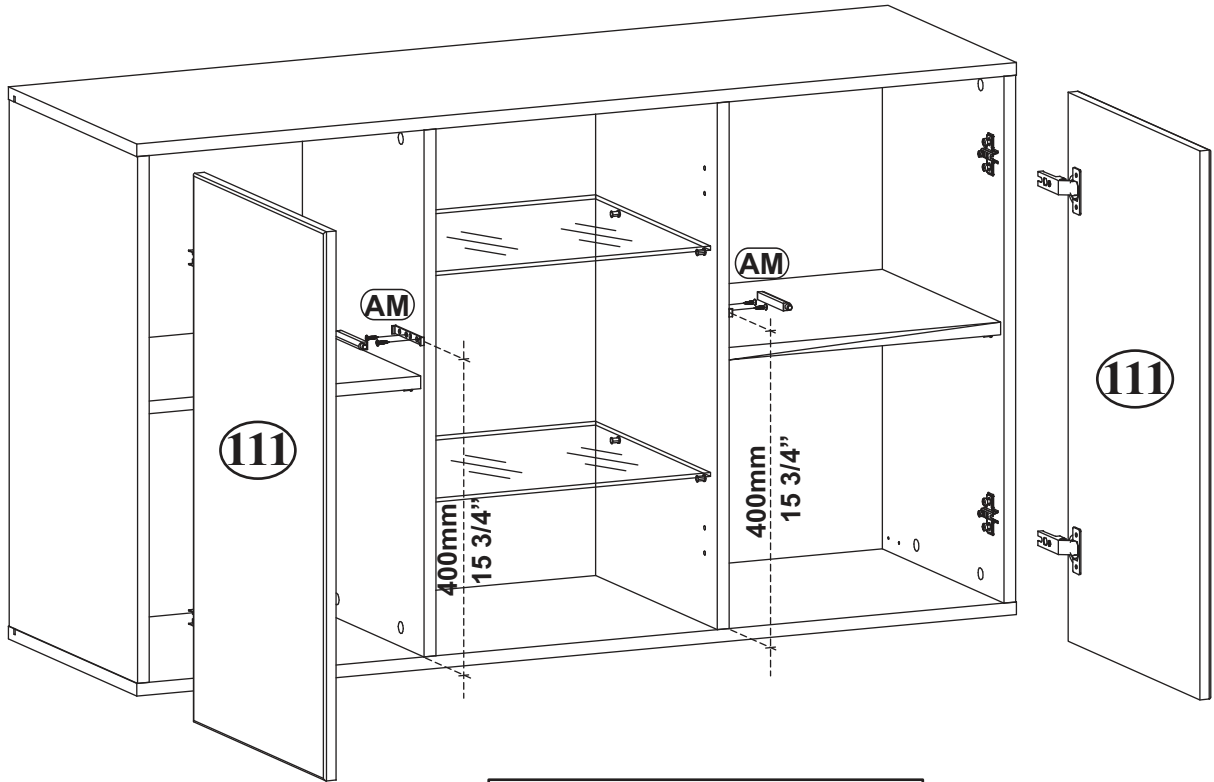
FLY TYP- SB II-C

9

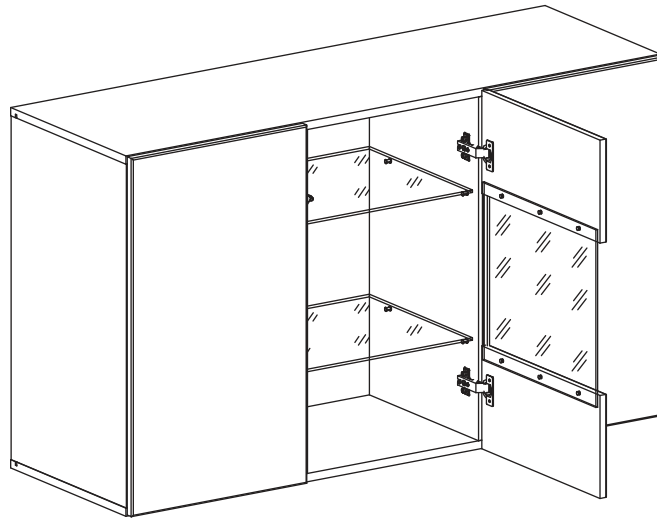


10

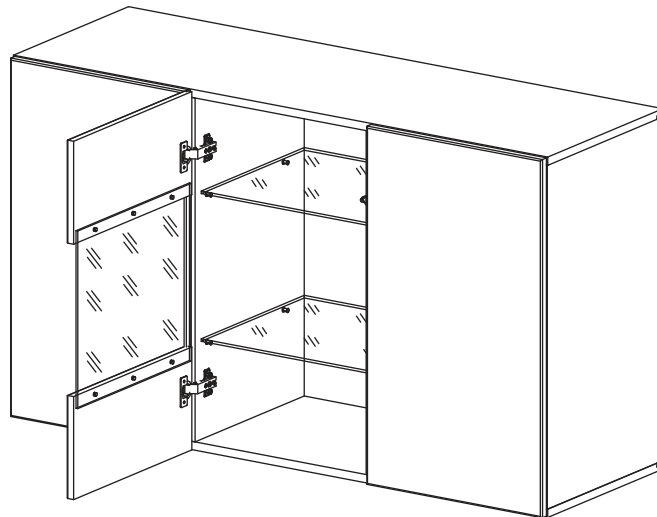
D10	US09/64"x33/64"
x4	 USØ3,5x13
AM	
x2	



**11 - 12**

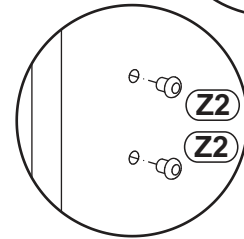
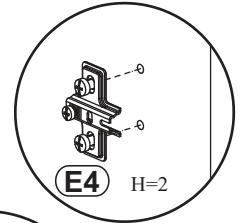
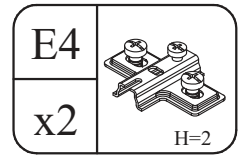
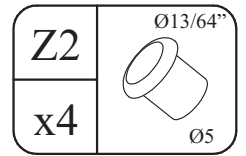
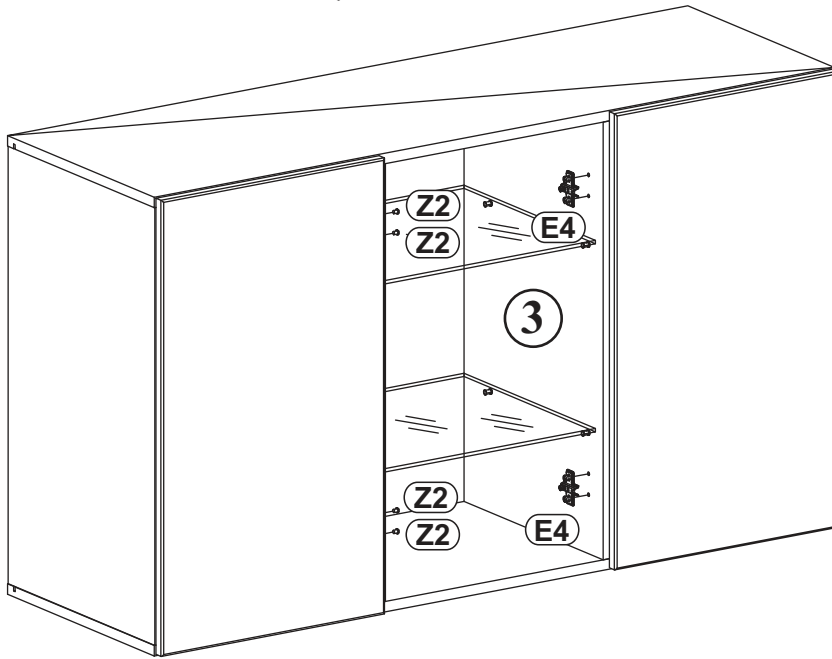
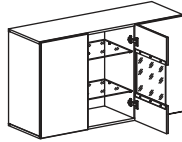


**13 - 14**

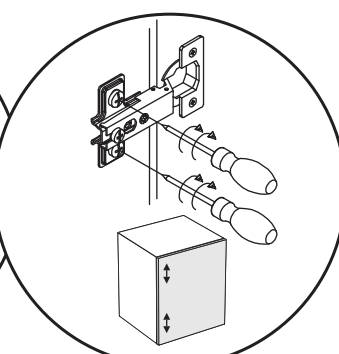
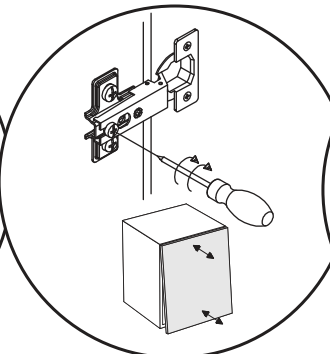
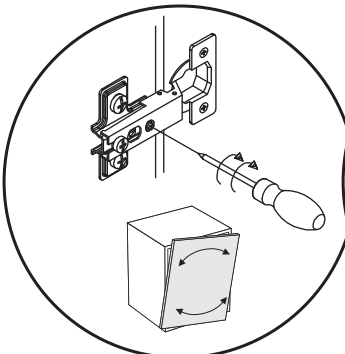
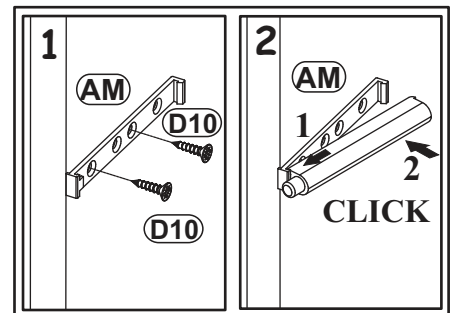
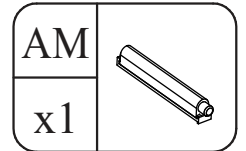
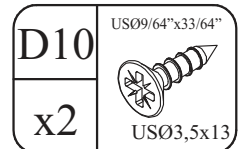
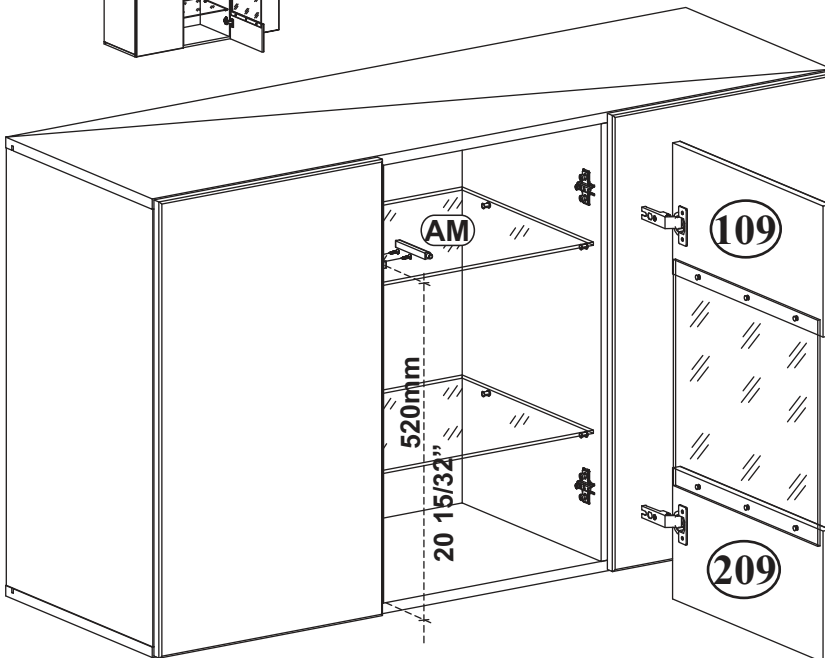
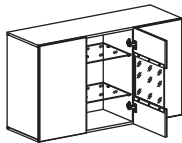


FLY TYP- SB II-C

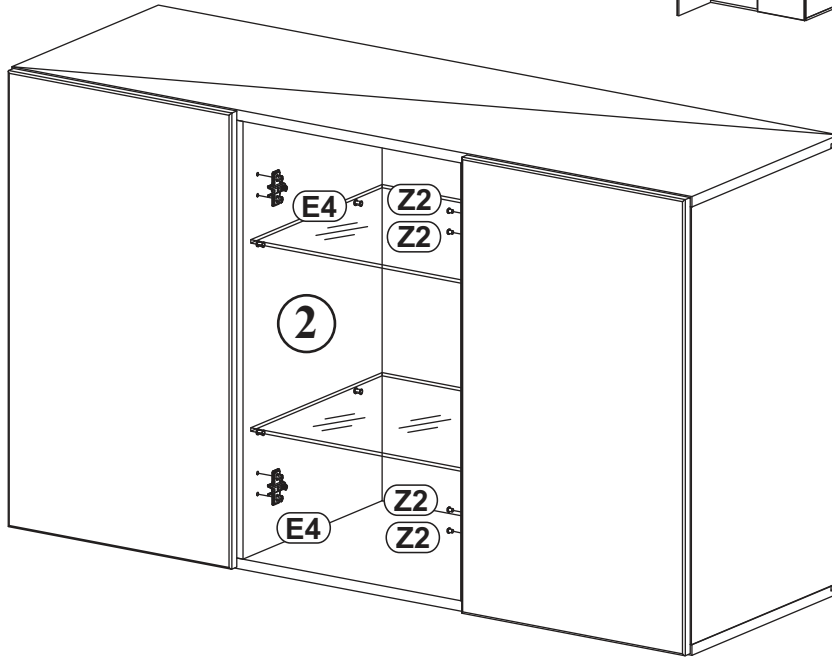
11



12

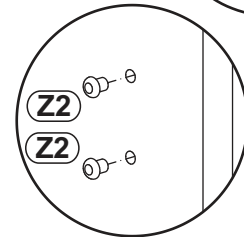
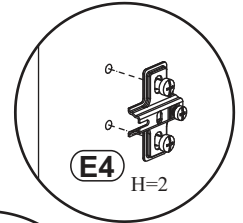


13

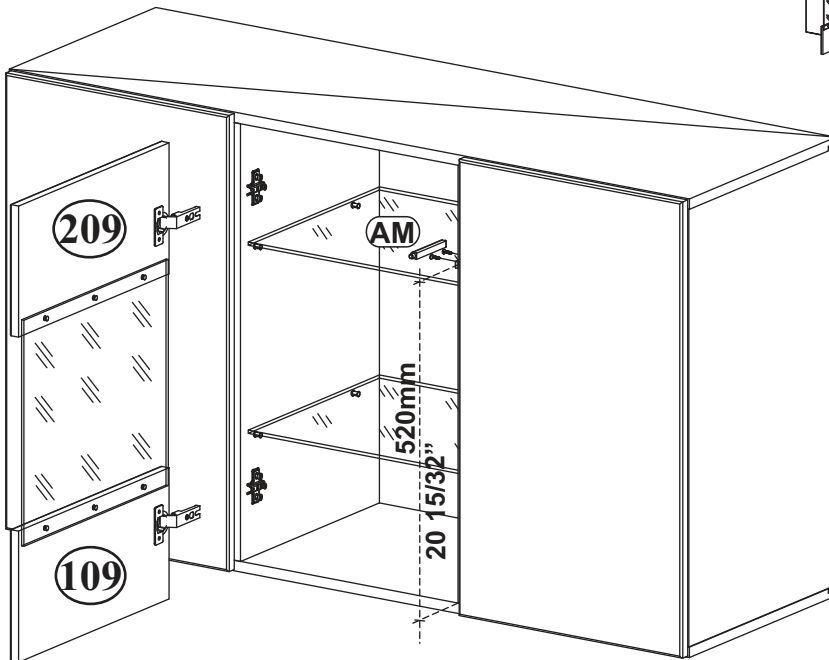


Z2	Ø13/64"
x4	Ø5

E4	
x2	H=2



14



D10	US09/64"x33/64"
x2	USØ3,5x13

AM	
x1	

