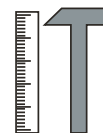
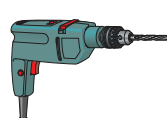
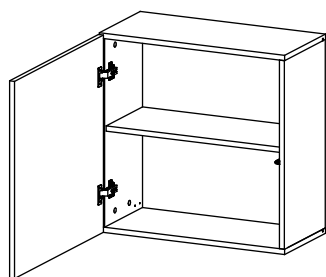
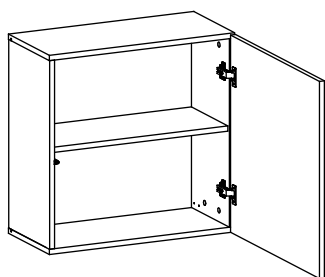
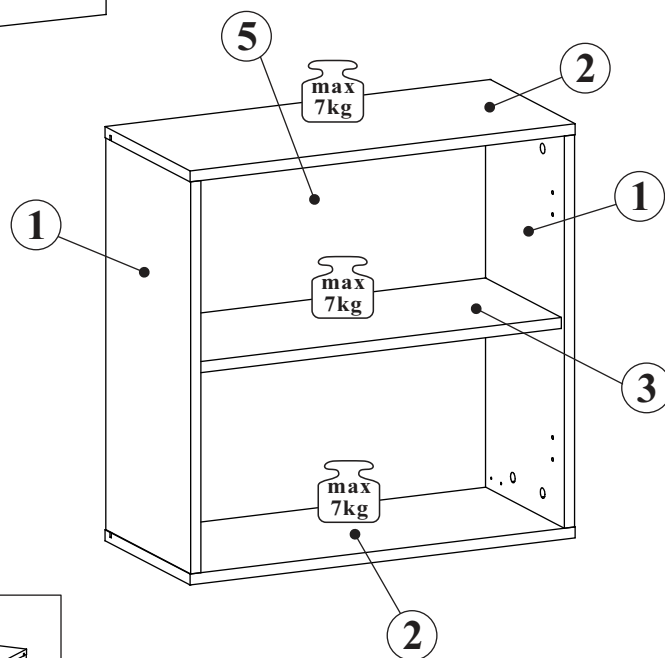
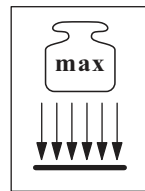
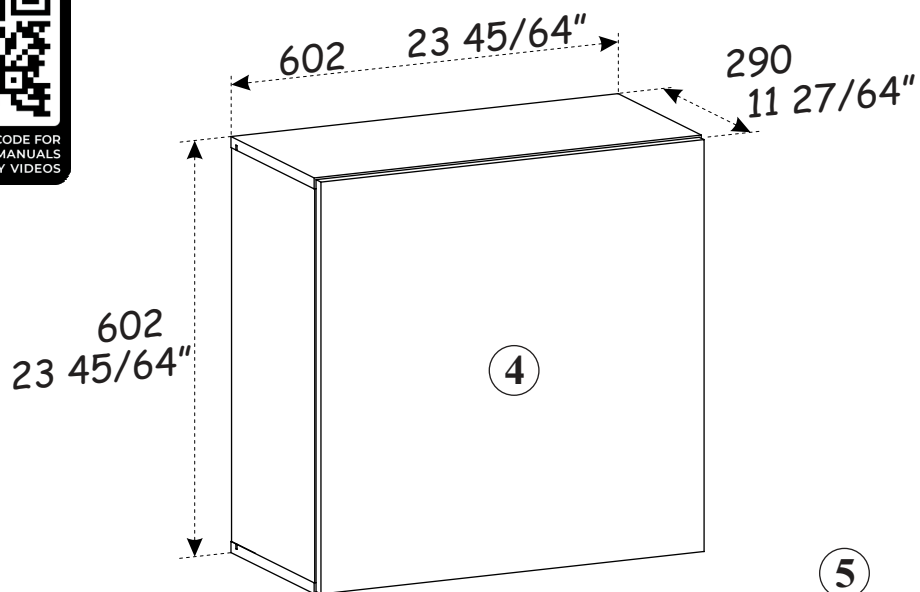


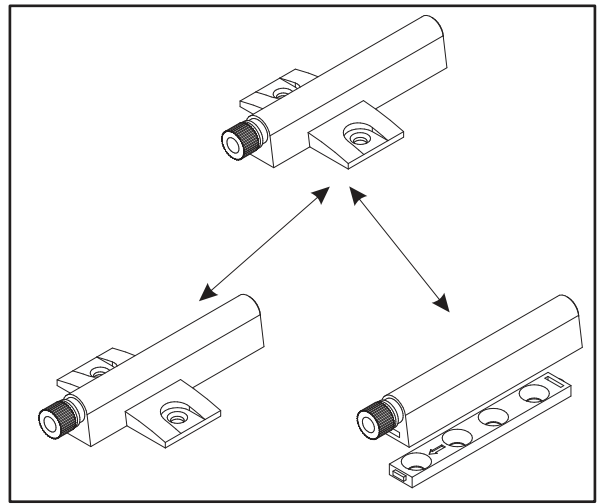
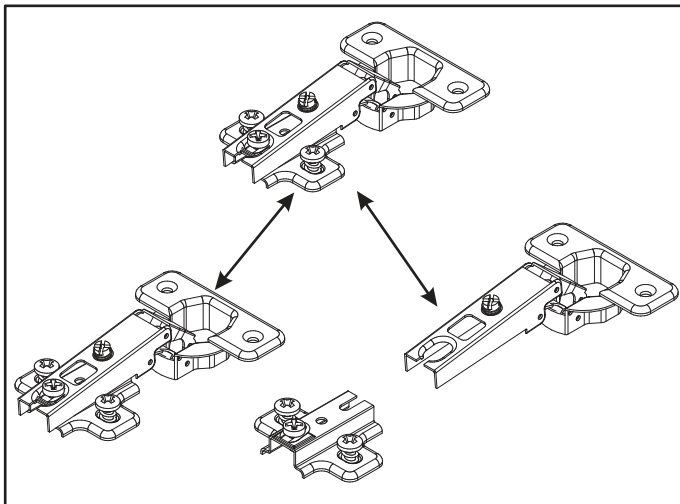
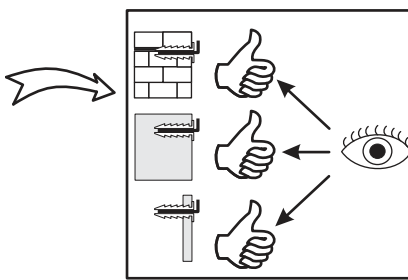
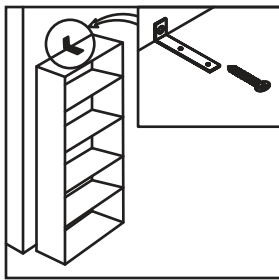
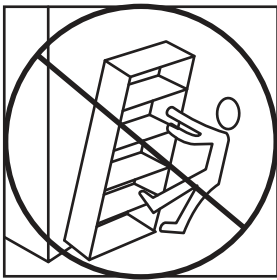
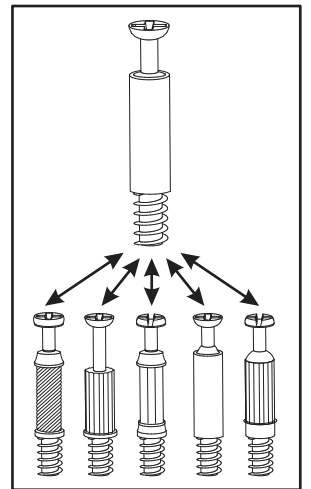
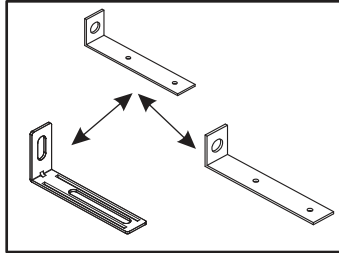
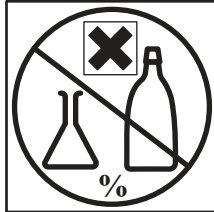
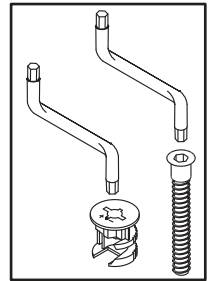
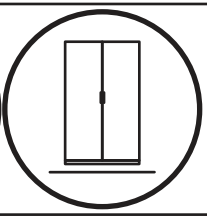
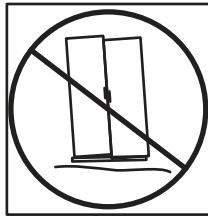
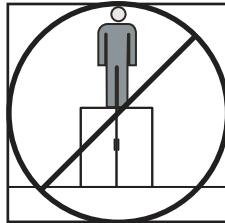
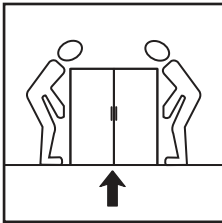
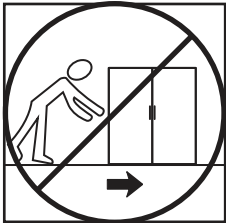
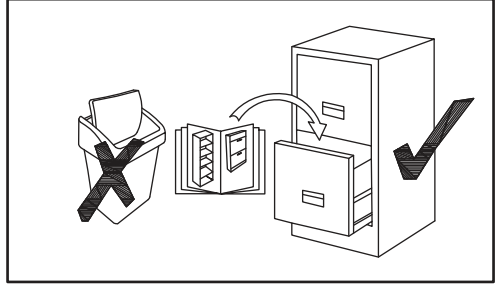
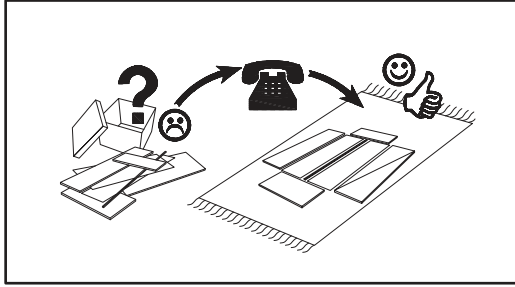
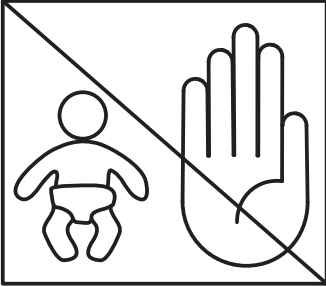
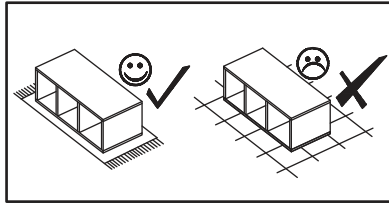
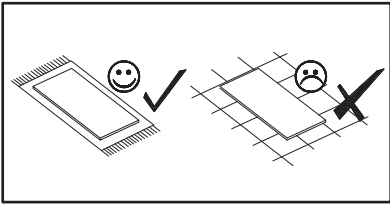
FLY 28 -- FY 60-C




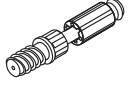


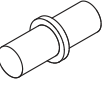

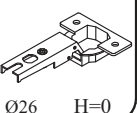
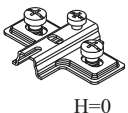

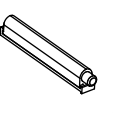
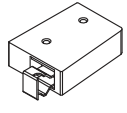

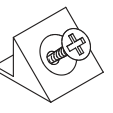

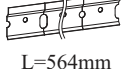

60 min

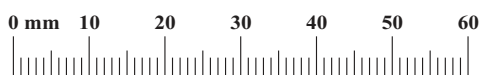
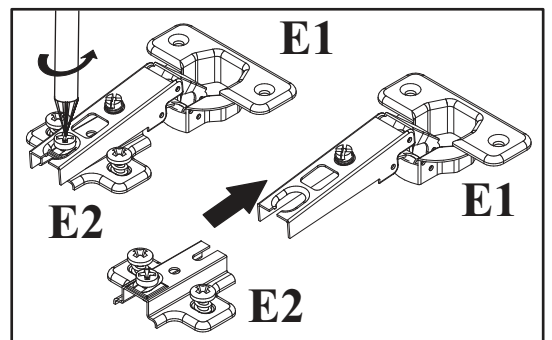
NO	Dim.			Col.-No	Qty
1	570	274	16	1	2
2	602	274	16	1	2
3	568	244	16	1	1
4	596	596	16	1	1
5	580	582	3	1	1

NO	Dim.			Col.-No	Qty
1	22 7/16	10 25/32	5/8	1	2
2	23 45/64	10 25/32	5/8	1	2
3	22 23/64	9 39/64	5/8	1	1
4	23 15/32	23 15/32	5/8	1	1
5	22 53/64	22 29/32	1/8	1	1

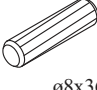

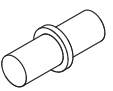


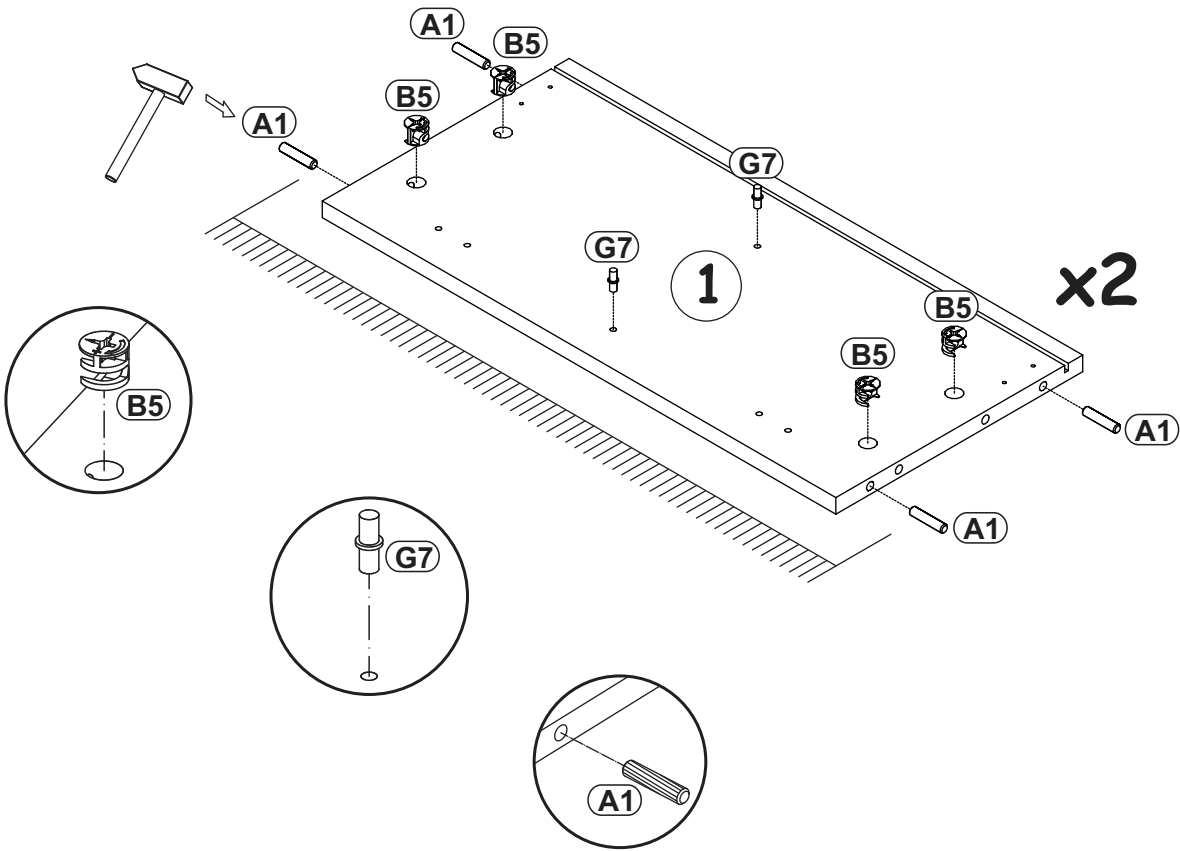
FLY 28--FY 60-C

A1 x8	$\varnothing 5/16'' \times 1 27/64''$  $\varnothing 8 \times 36$	B4 x8		B5 x8	$\varnothing 19/32'' \times 15/32''$  $\varnothing 15 \times 12$	G5 x8		G7 x4		Z2 x4	$\varnothing 13/64''$  $\varnothing 5$
E1 x2	$\varnothing 1 1/32''$  $\varnothing 26$ H=0	E2 x2	 H=0	D10 x6	$US \varnothing 9/64'' \times 33/64''$  US $\varnothing 3,5 \times 13$	AM x1		ZR1 x2		D6 x4	$US \varnothing 9/64'' \times 1 3/16''$  US $\varnothing 3,5 \times 30$
S1 x8		KR5 SFXP x3	$\varnothing 25/64'' / 1 31/32''$ $\times 2 23/64''$  $\varnothing 10 / 50 \times 60$	SZ9 x1	L=22 13/64''  L=564mm	G2 x1					

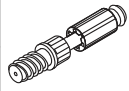


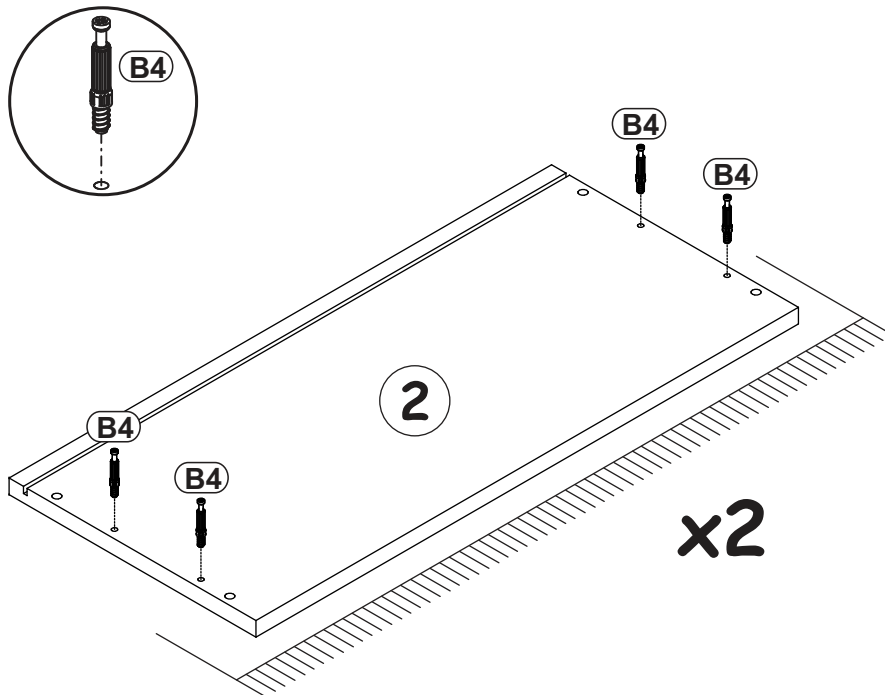
1

A1	Ø5/16"x1 27/64"	B5	Ø19/32"x15/32"	G7	
x8		x8		x4	
	ø8x36		ø15x12		



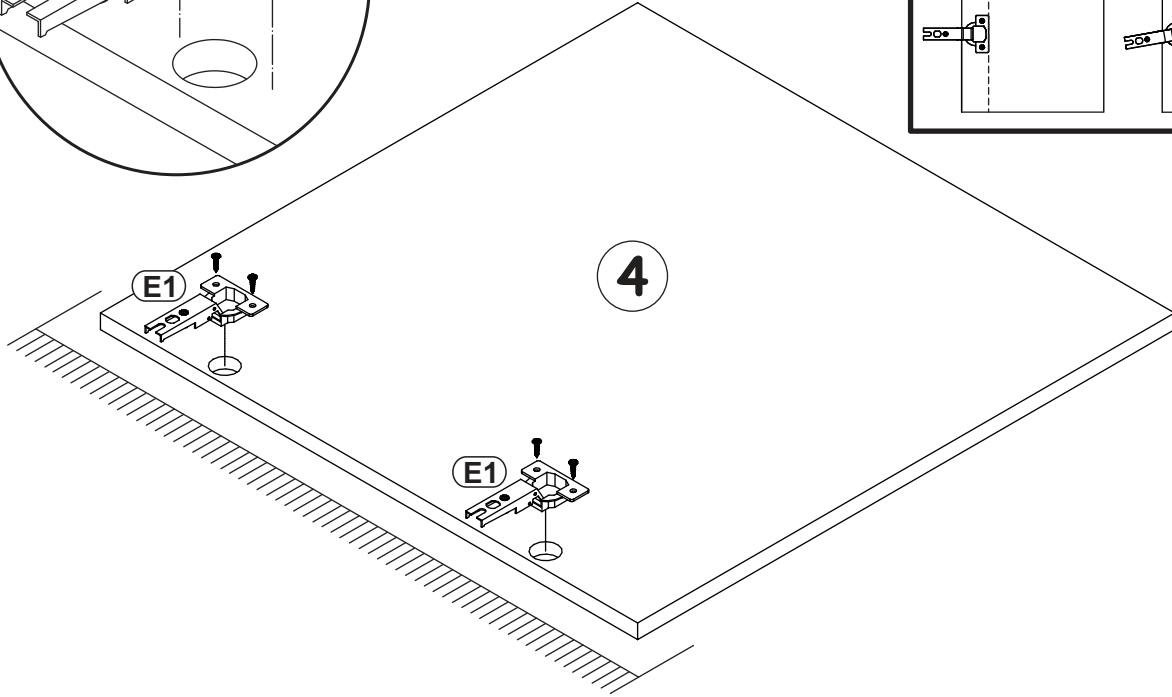
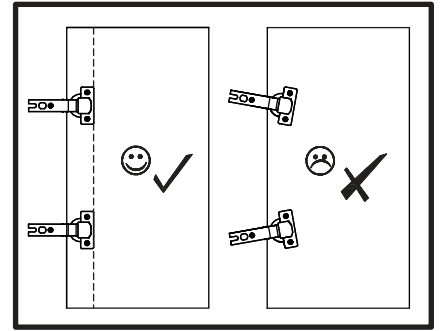
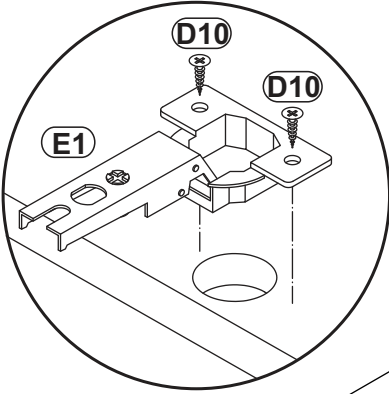
2

B4	
x8	



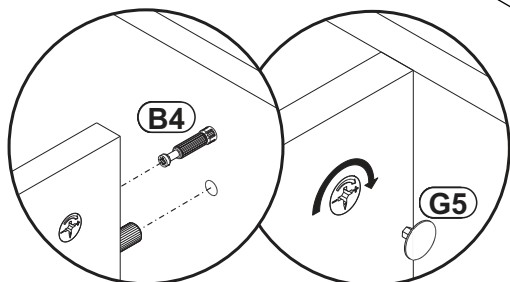
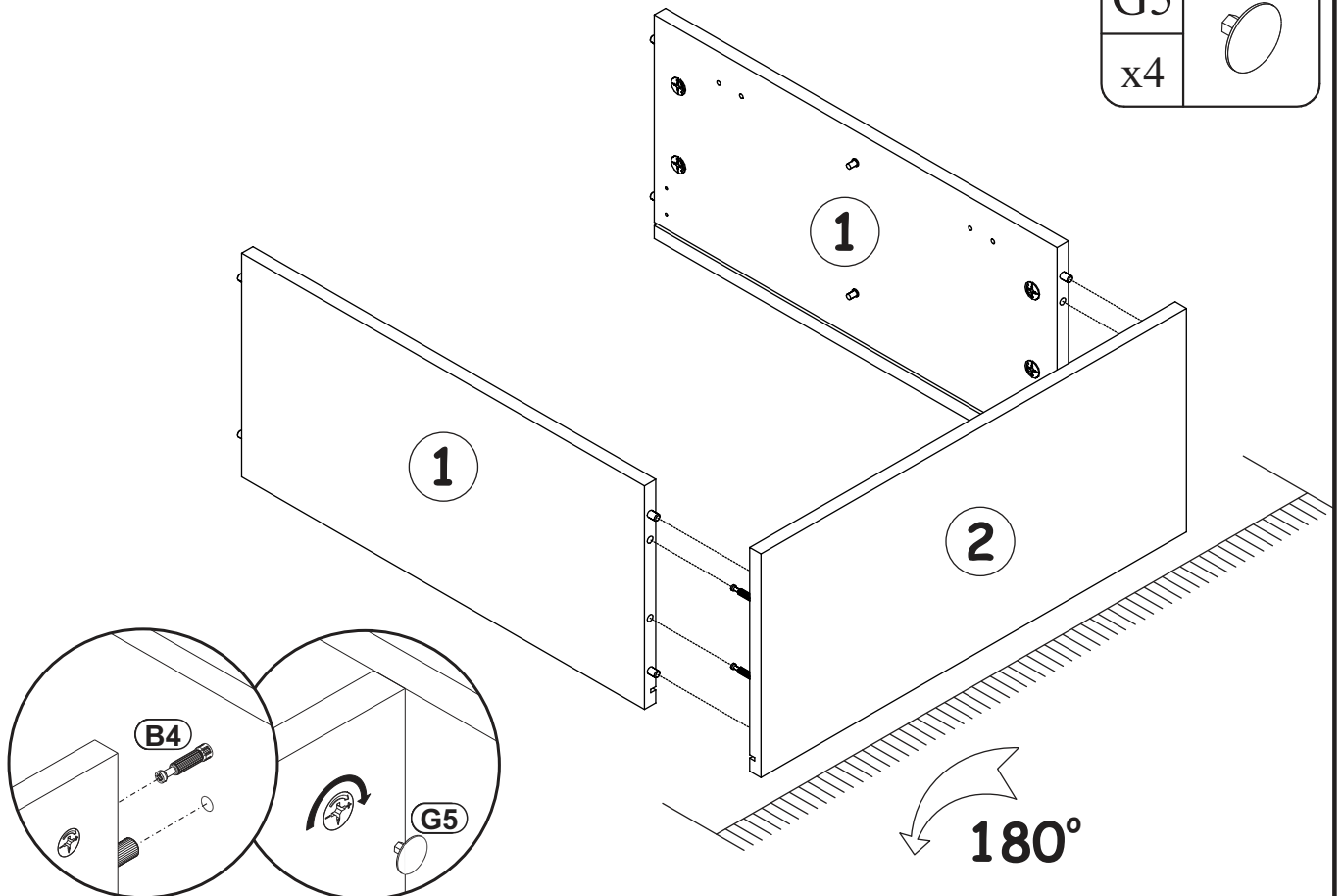
E1	Ø1 1/32"	D10	US09/64"x33/64"
	Ø26 H=0		
x2		x4	

3

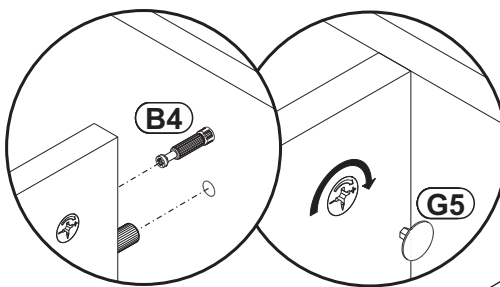


4

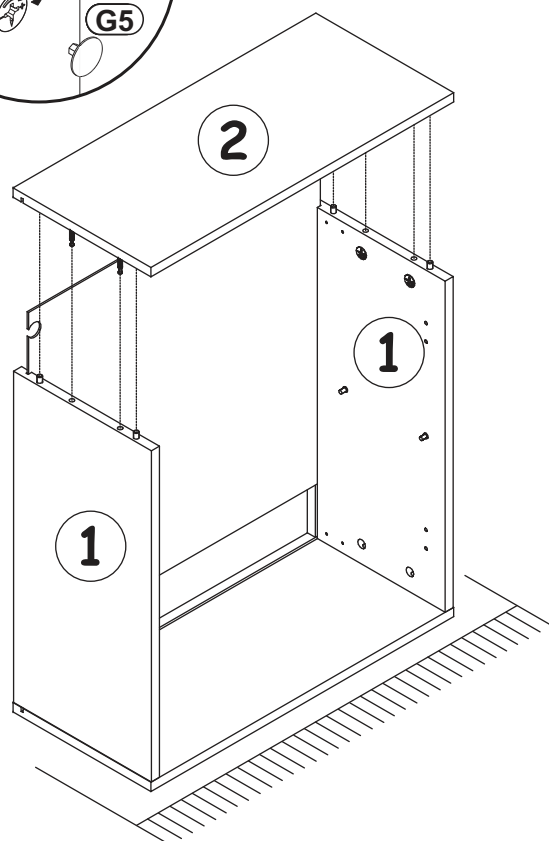
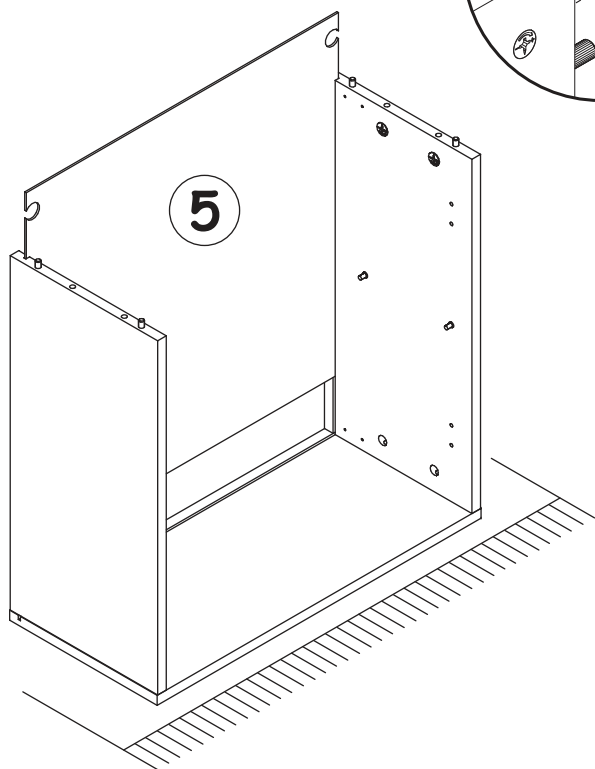
G5	
x4	



5



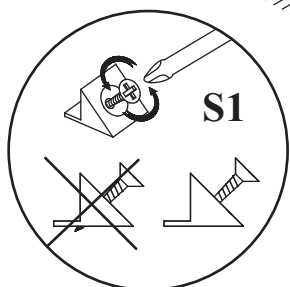
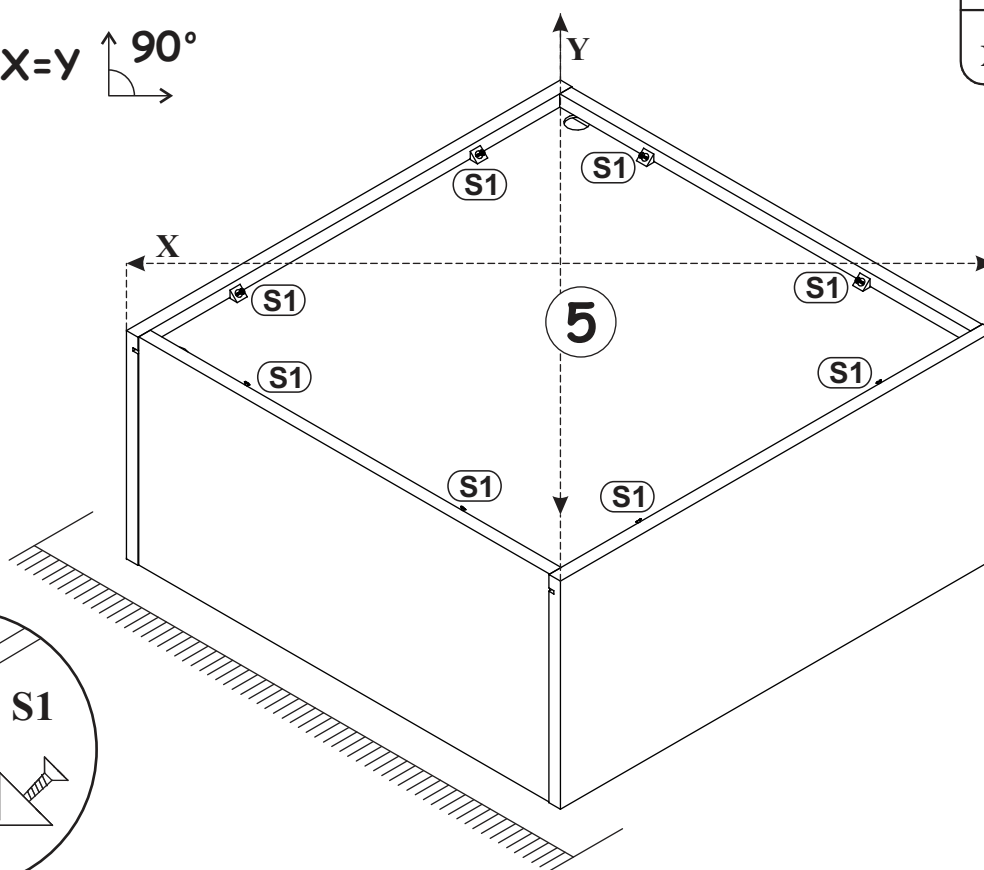
G5	
x4	



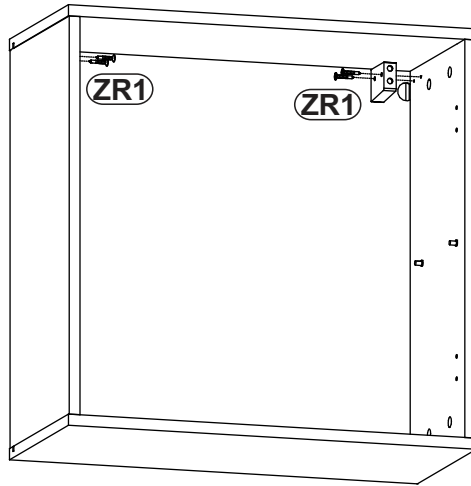
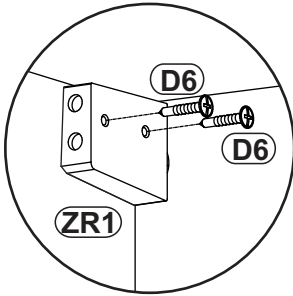
6



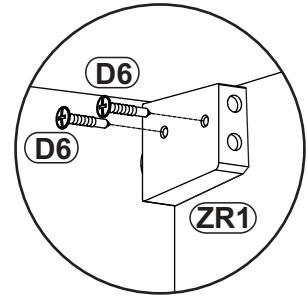
S1	
x8	



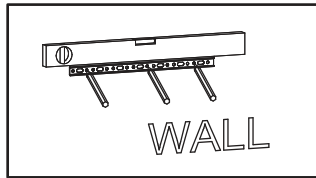
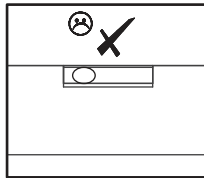
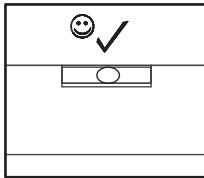
7



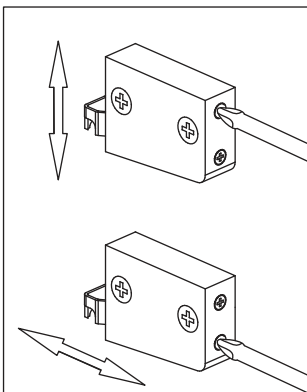
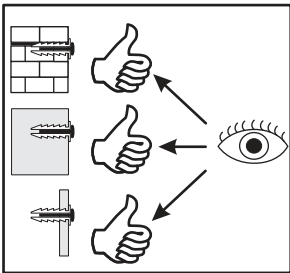
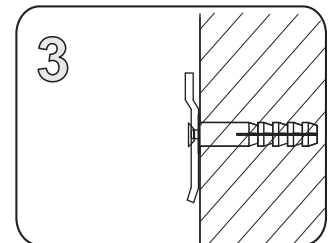
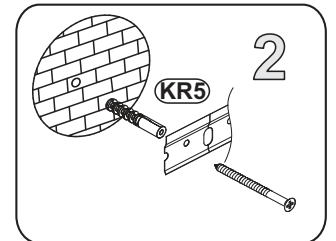
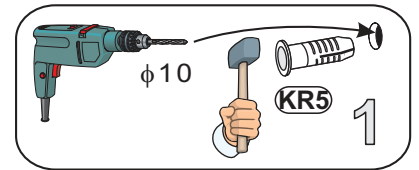
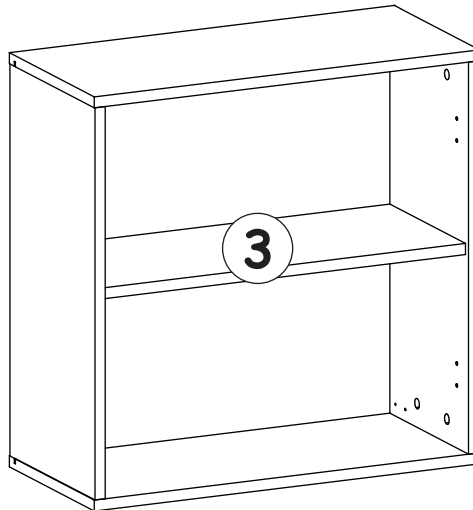
ZR1		D6	US09/64"x1 3/16"
x2		x4	US03,5x30



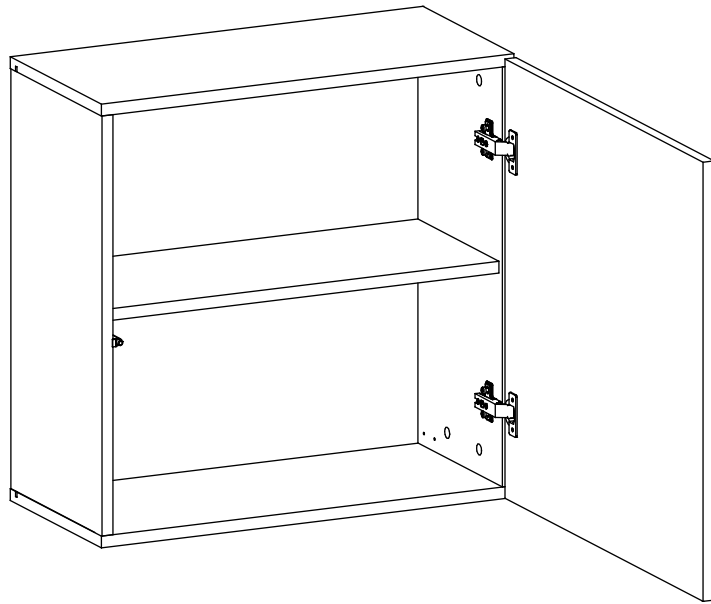
8



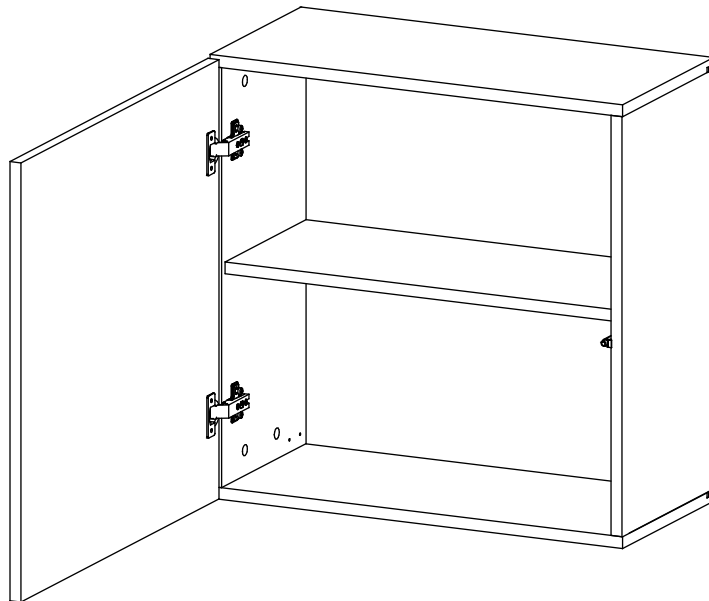
KR5 SFXP	$\varnothing 25/64"/1 31/32"$ $\times 2 23/64"$	SZ9	L=22 13/64"
x3	 $\varnothing 10/50 \times 60$	x1	 L=564mm



9-10

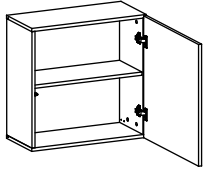


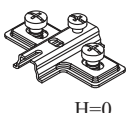

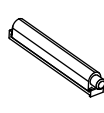

11-12

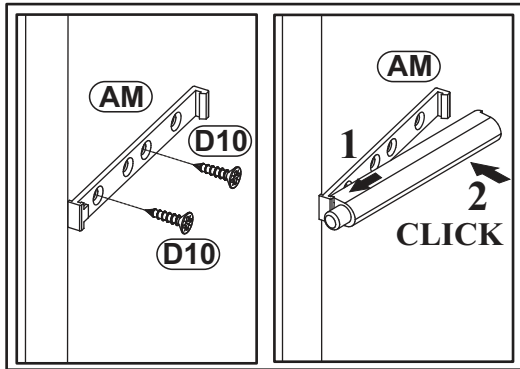
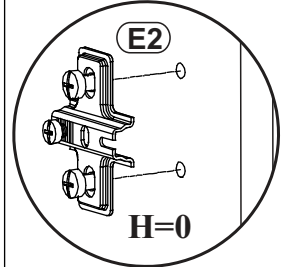
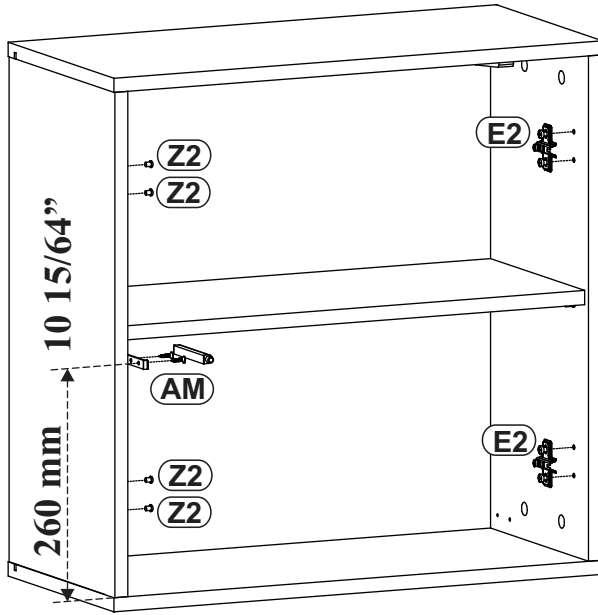
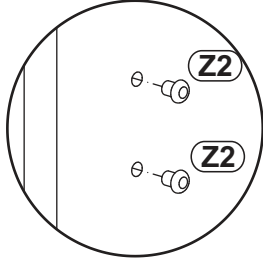


FLY 28--FY 60-C

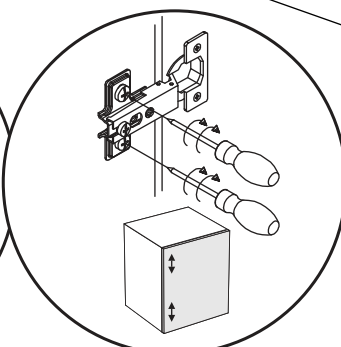
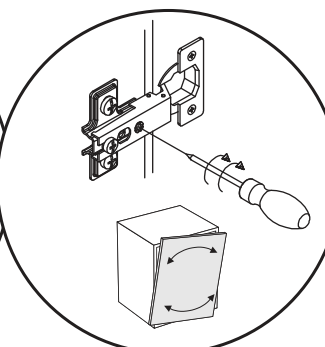
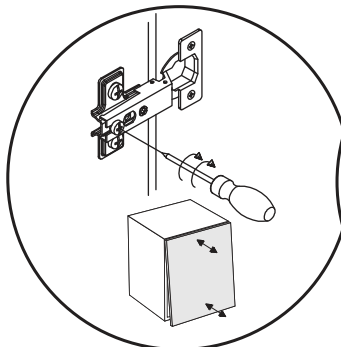
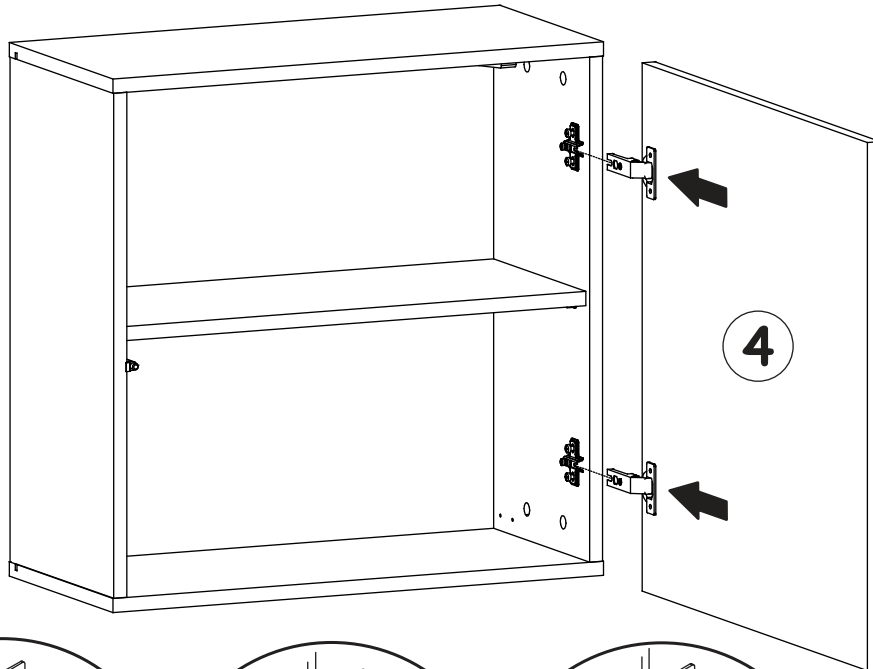
9



E2		Z2		AM		D10	
x2	H=0	x4	Ø5	x1		x2	US09/64"x33/64" USØ3,5x13

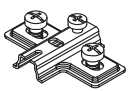

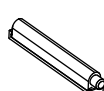
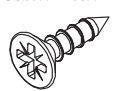


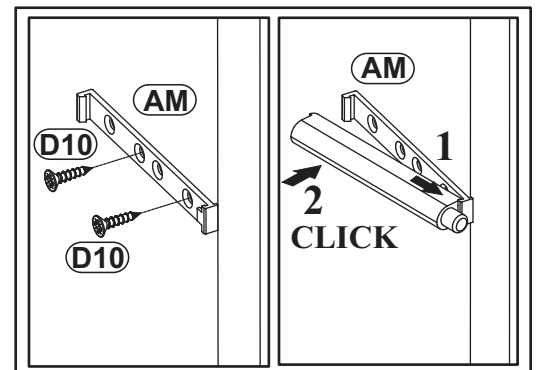
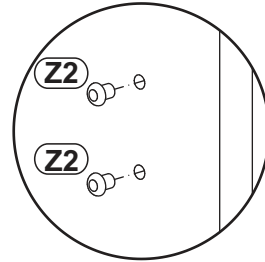
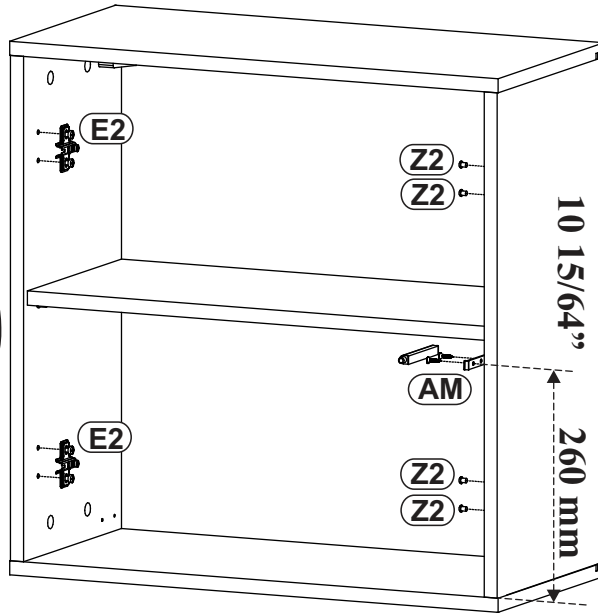
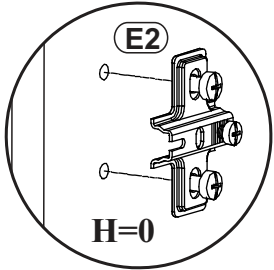
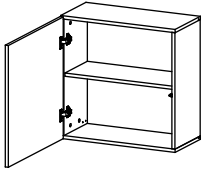
10



FLY 28--FY 60-C

11

E2		Z2		AM		D10	
x2	H=0	x4	Ø5	x1		x2	US09/64"x33/64" USØ3,5x13



12

