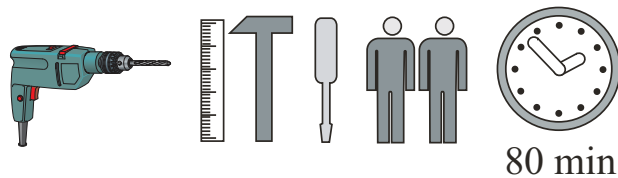
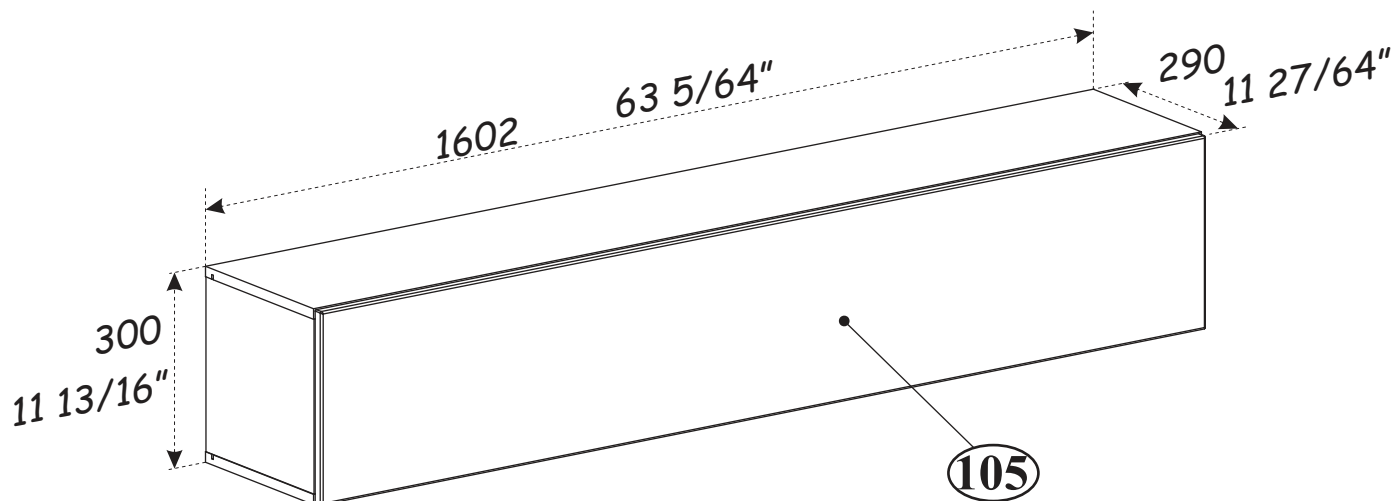
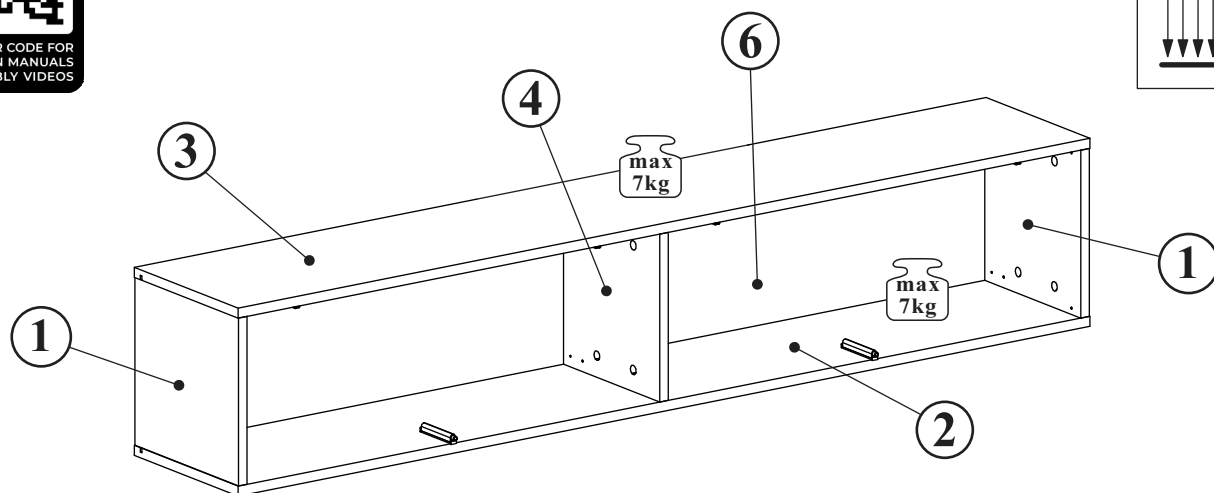
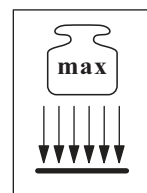
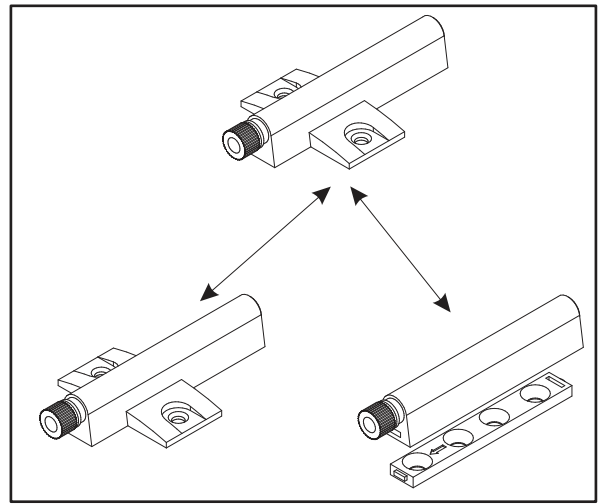
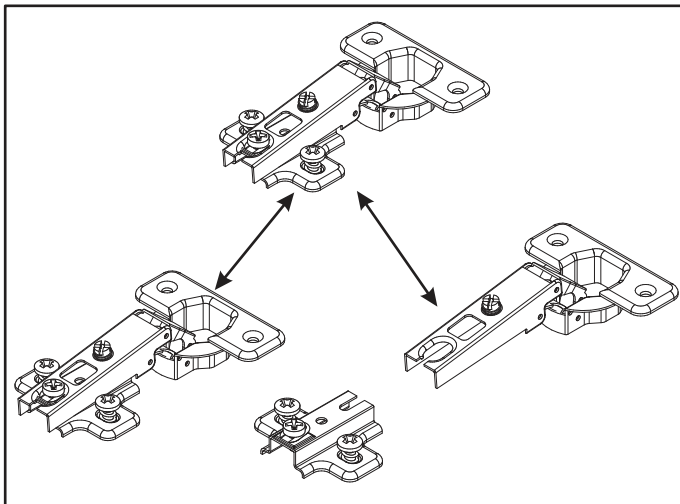
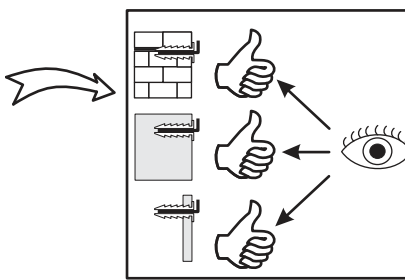
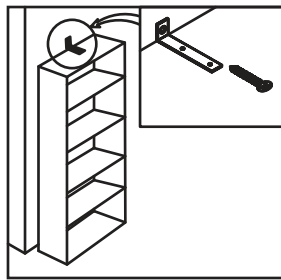
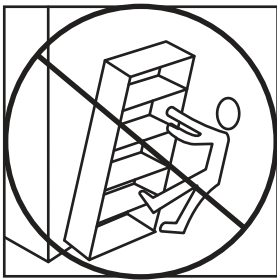
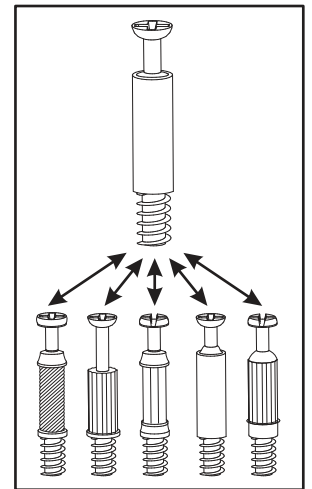
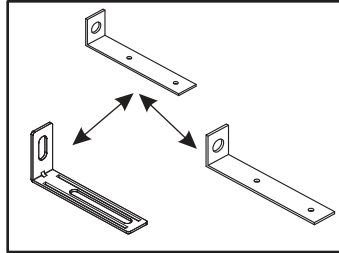
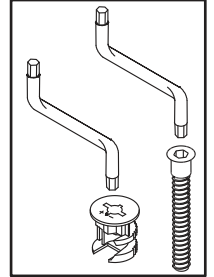
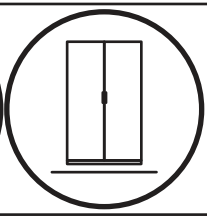
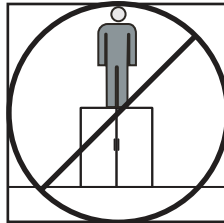
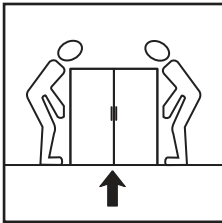
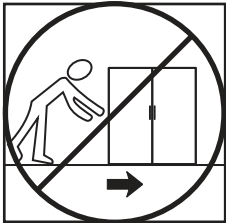
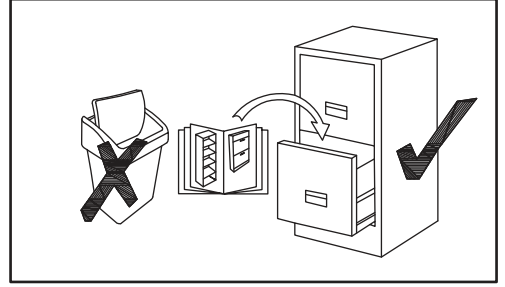
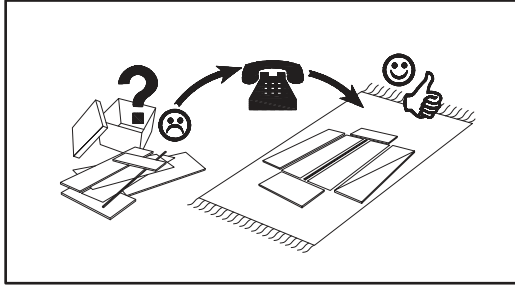
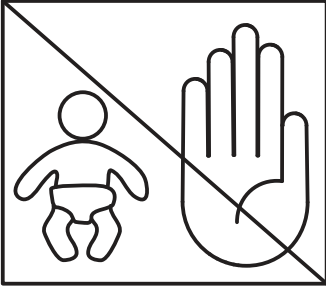
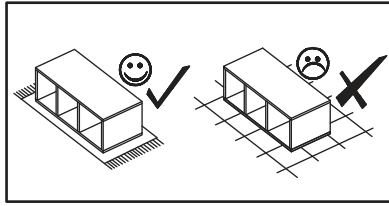
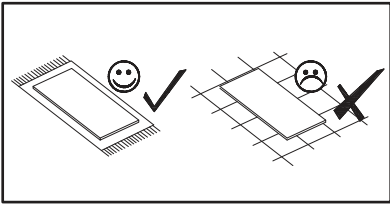


FLY 28 -- FY 50B-C



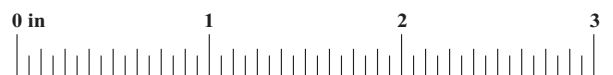
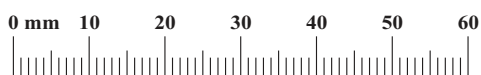
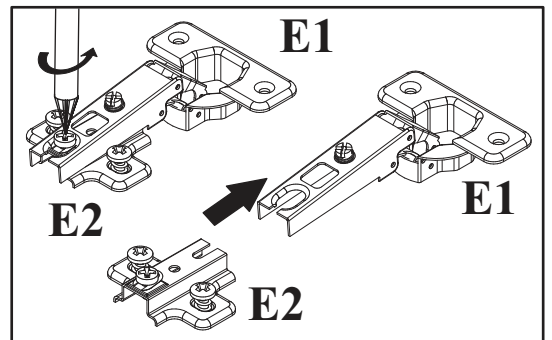
| NO | Dim. | | | Col.-No | Qty |
|-----|------|-----|----|---------|-----|
| 1 | 268 | 274 | 16 | 1 | 2 |
| 2 | 1602 | 274 | 16 | 1 | 1 |
| 3 | 1602 | 274 | 16 | 1 | 1 |
| 4 | 268 | 254 | 16 | 1 | 1 |
| 6 | 1580 | 280 | 3 | 1 | 1 |
| 105 | 1596 | 296 | 16 | 1 | 1 |


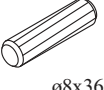
| NO | Dim. | | | Col.-No | Qty |
|-----|----------|----------|-----|---------|-----|
| 1 | 10 35/64 | 10 25/32 | 5/8 | 1 | 2 |
| 2 | 63 5/64 | 10 25/32 | 5/8 | 1 | 1 |
| 3 | 63 5/64 | 10 25/32 | 5/8 | 1 | 1 |
| 4 | 10 35/64 | 10 | 5/8 | 1 | 1 |
| 6 | 62 13/64 | 11 1/32 | 1/8 | 1 | 1 |
| 105 | 62 53/64 | 11 21/32 | 5/8 | 1 | 1 |



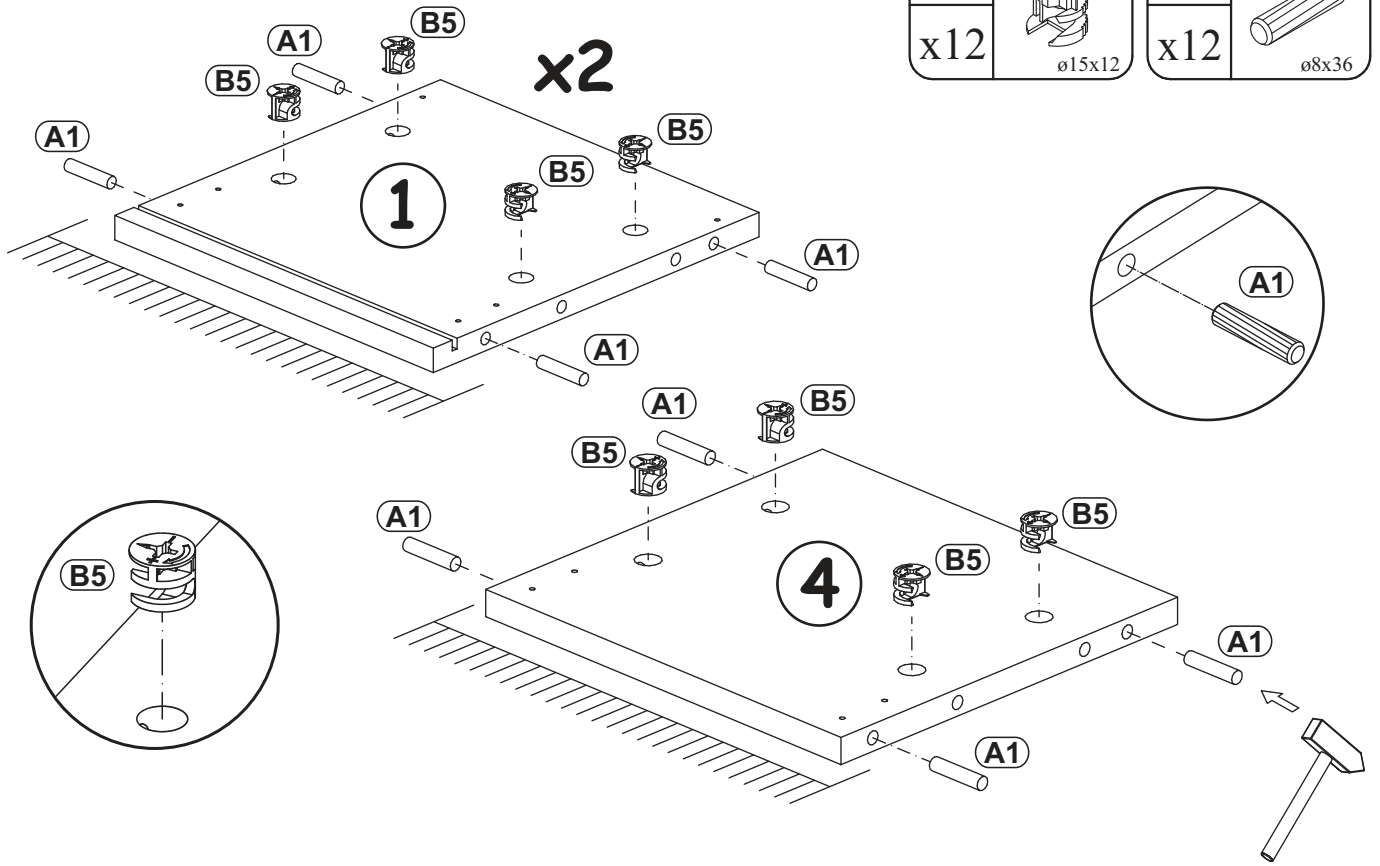
FLY 28--FY 50B-C

| | | | | | | | | | | | |
|------------|--------------------------|-------------------|---|-----------|--------------------------|-----------|--|----------|-------------------------------|------------|------------------------------|
| A1 x12 | Ø5/16"x1 27/64" ø8x36 | B4 x12 | | B5 x12 | Ø19/32"x15/32" ø15x12 | G5 x12 | | E2 x4 | H=0 | E1 x4 | Ø1 1/32" Ø26 H=0 |
| AM x2 | | BO1 x2 | | S1 x12 | | ZR1 x3 | | D6 x6 | USØ9/64"x1 3/16" USØ3,5x30 | D10 x22 | USØ9/64"x33/64" USØ3,5x13 |
| UP13 x2 | UPØ1/8"x5/8" UPØ3x16 | KR5 SFXP x4 | Ø 25/64"/1 31/32" x2 23/64" Ø10/50x60 | SZ9 x1 | L=61 37/64" L=1564mm | G2 x1 | | | | | |

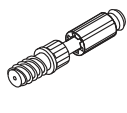
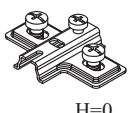


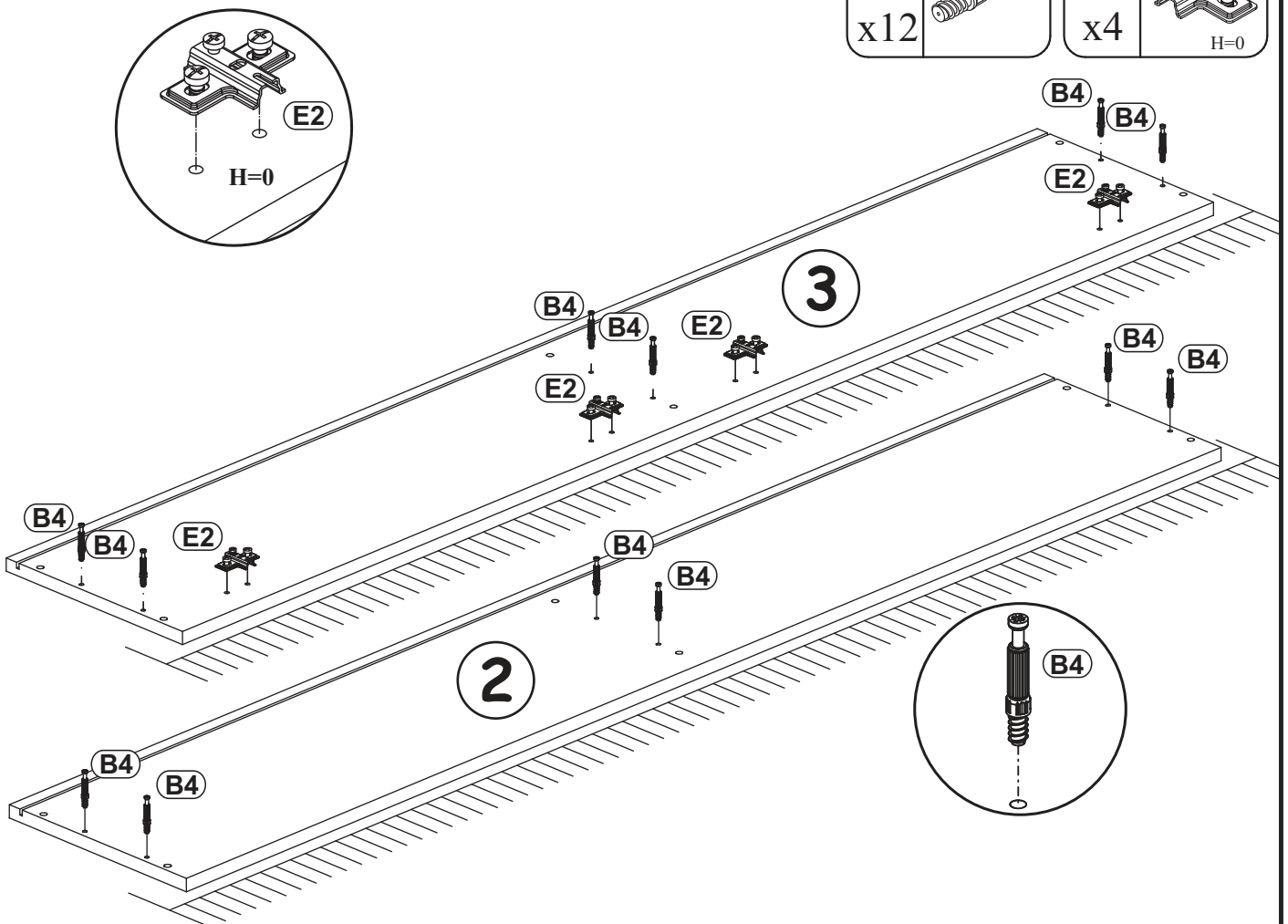
| | | | |
|-----|---|-----|--|
| B5 | Ø19/32"x15/32" | A1 | Ø5/16"x1 27/64" |
| x12 |  ø15x12 | x12 |  ø8x36 |

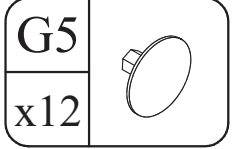
1



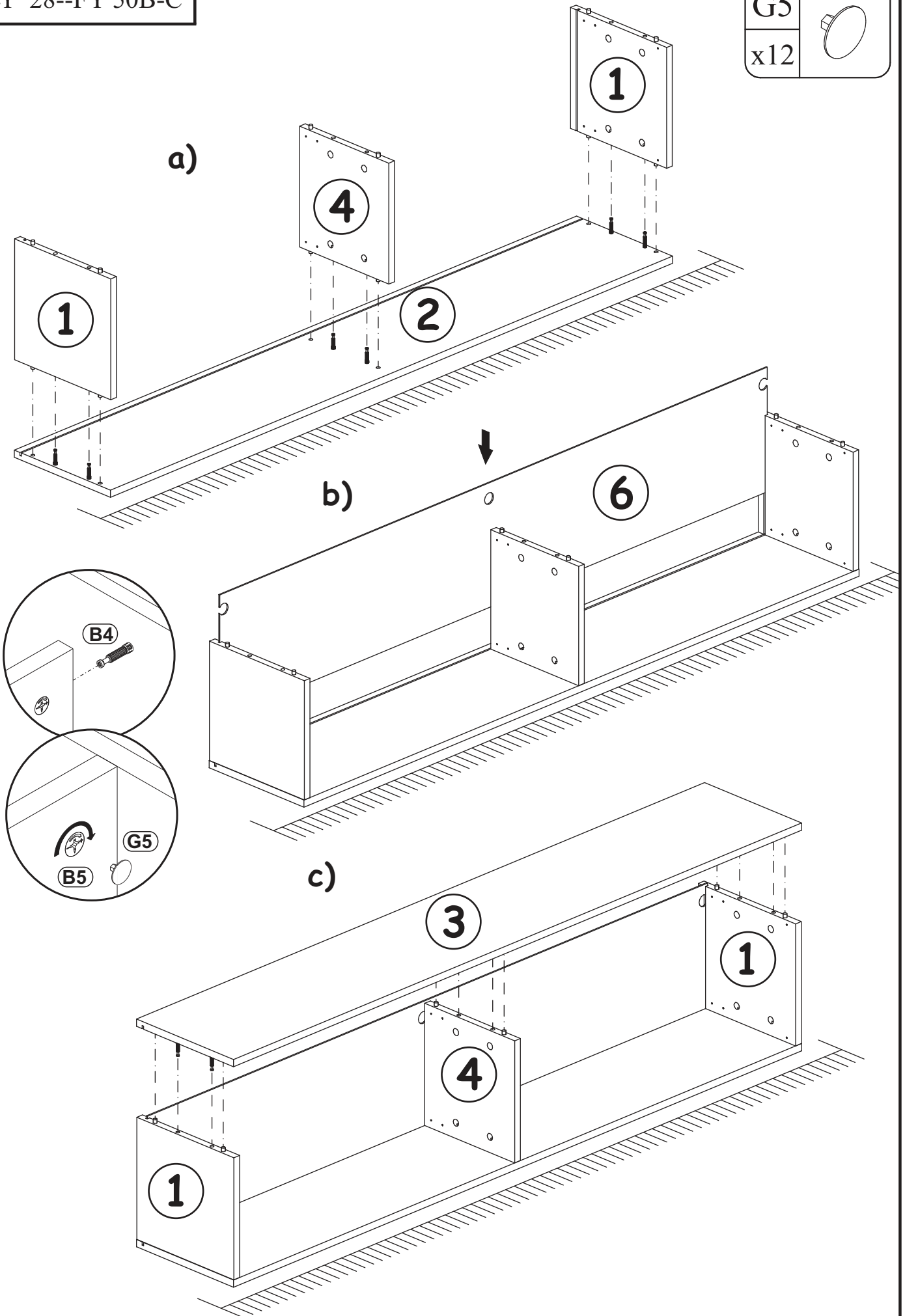
2

| | | | |
|-----|---|----|--|
| B4 |  | E2 |  H=0 |
| x12 | | x4 | |

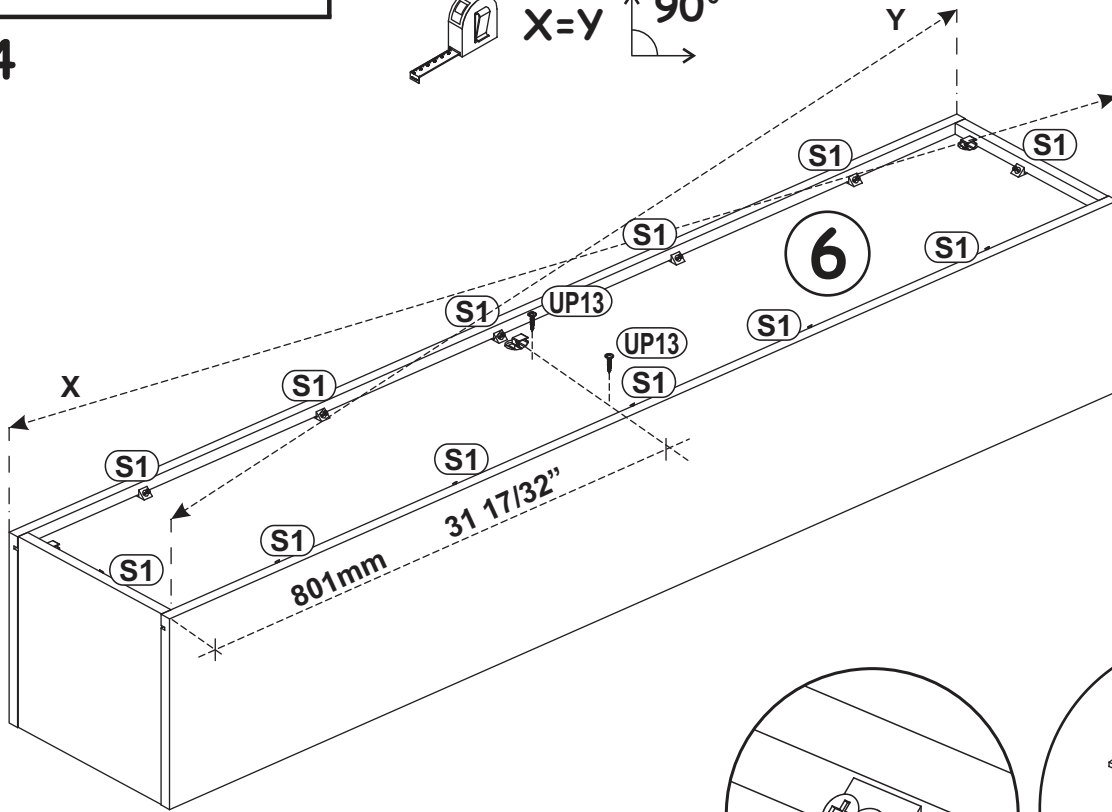





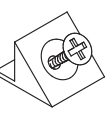
3

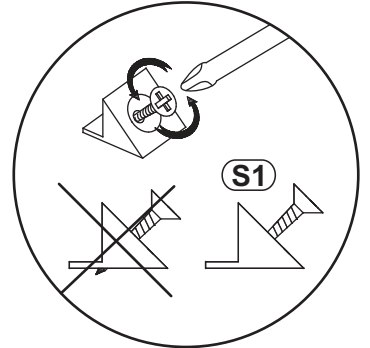
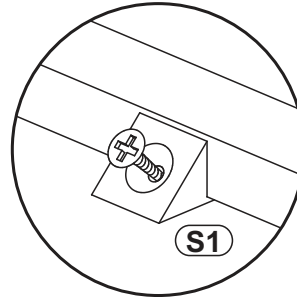
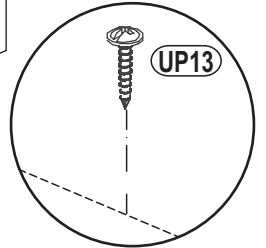


4

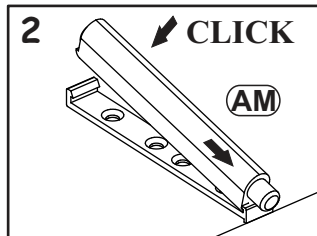
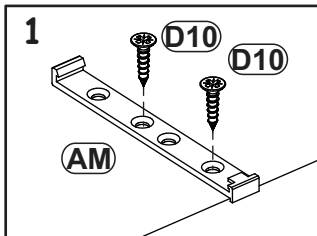


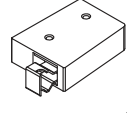
| | |
|------|--|
| UP13 | UPØ1/8"x5/8" |
| x2 |  UPØ3x16 |


| | |
|-----|---|
| S1 |  |
| x12 | |

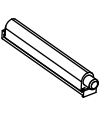



5

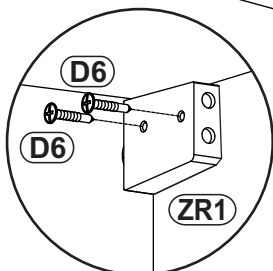
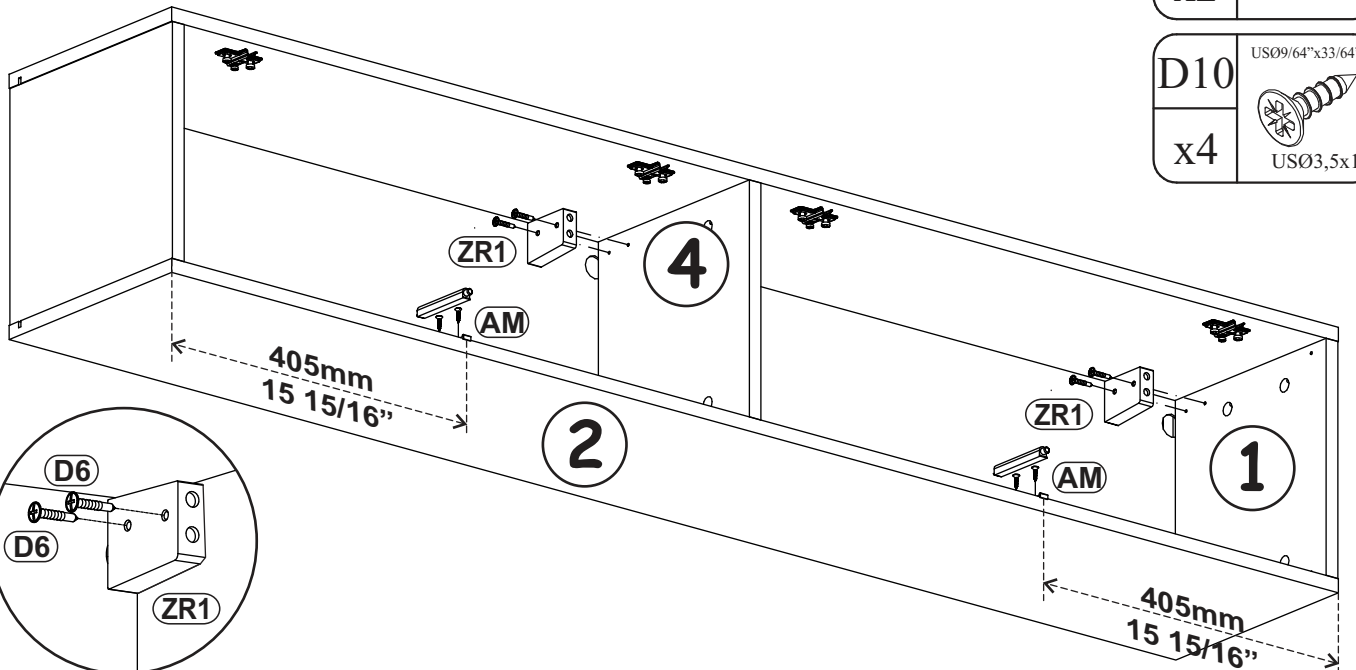


| | |
|-----|---|
| ZR1 |  |
| x2 | |

| | |
|----|--|
| D6 | USØ9/64"x1 3/16" |
| x4 |  USØ3,5x30 |

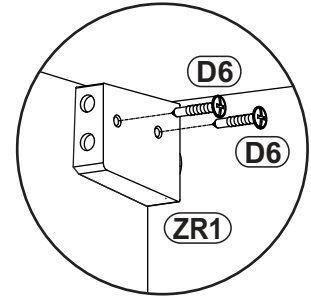
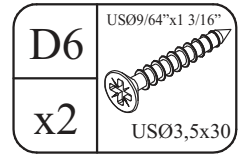
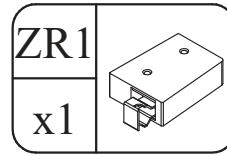
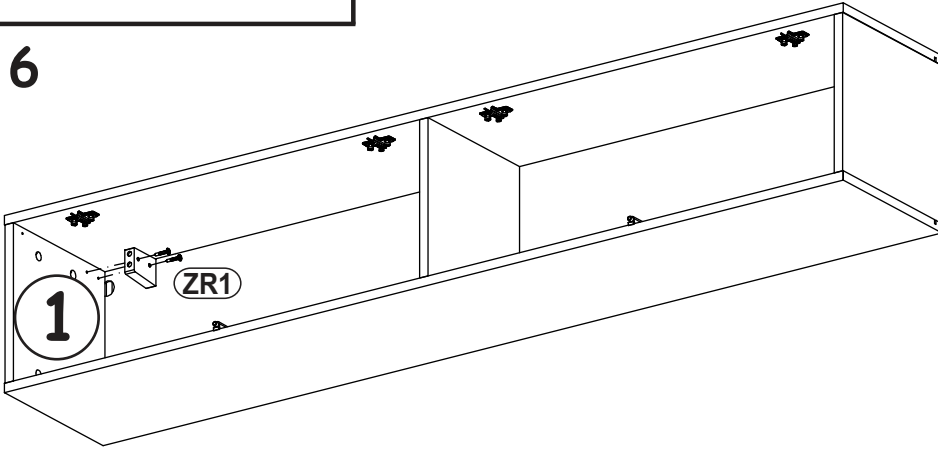
| | |
|----|---|
| AM |  |
| x2 | |

| | |
|-----|--|
| D10 | USØ9/64"x33/64" |
| x4 |  USØ3,5x13 |

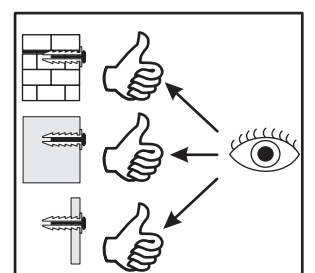
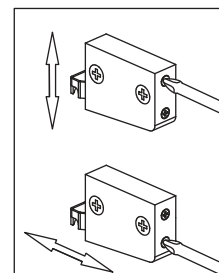
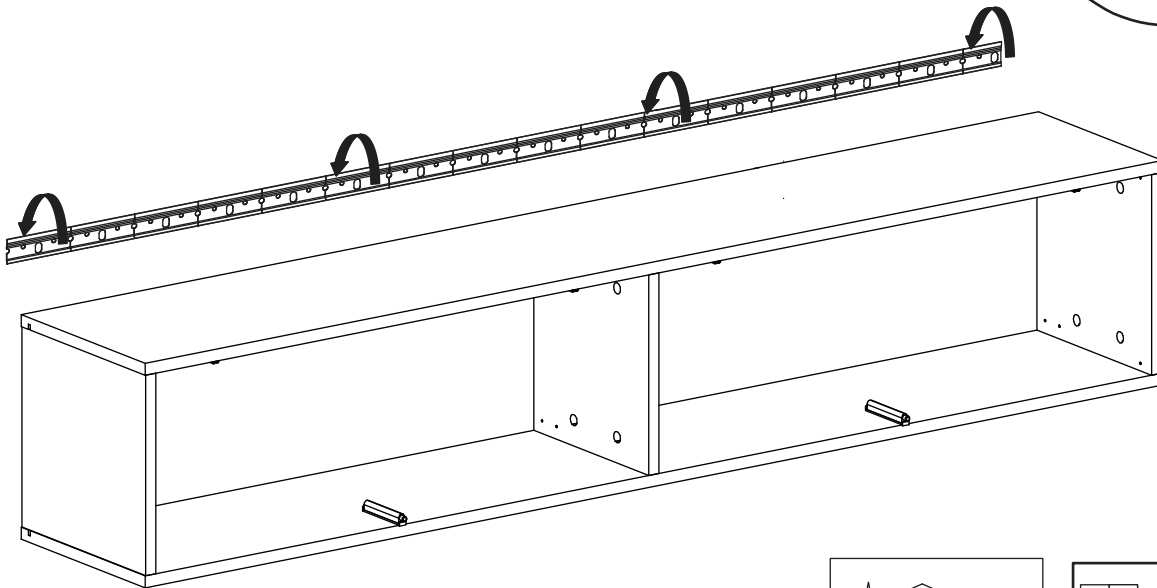
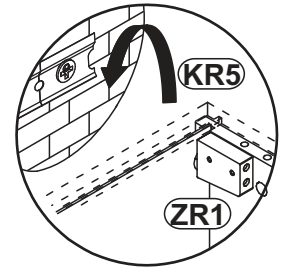
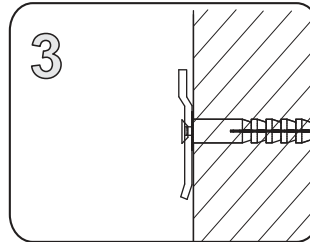
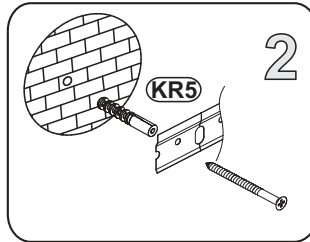
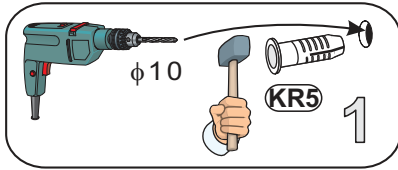
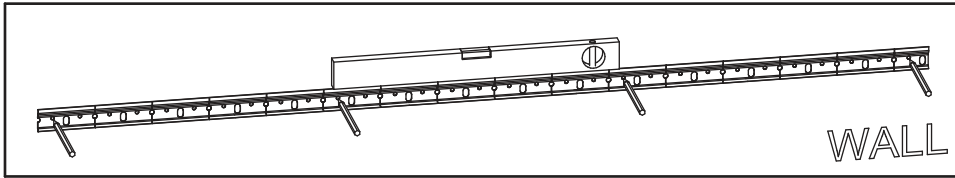
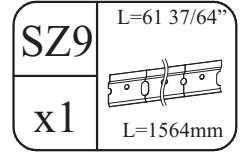
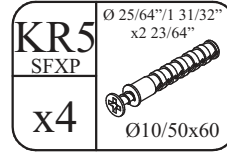
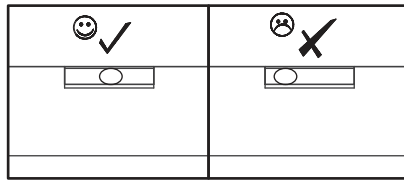


FLY 28--FY 50B-C

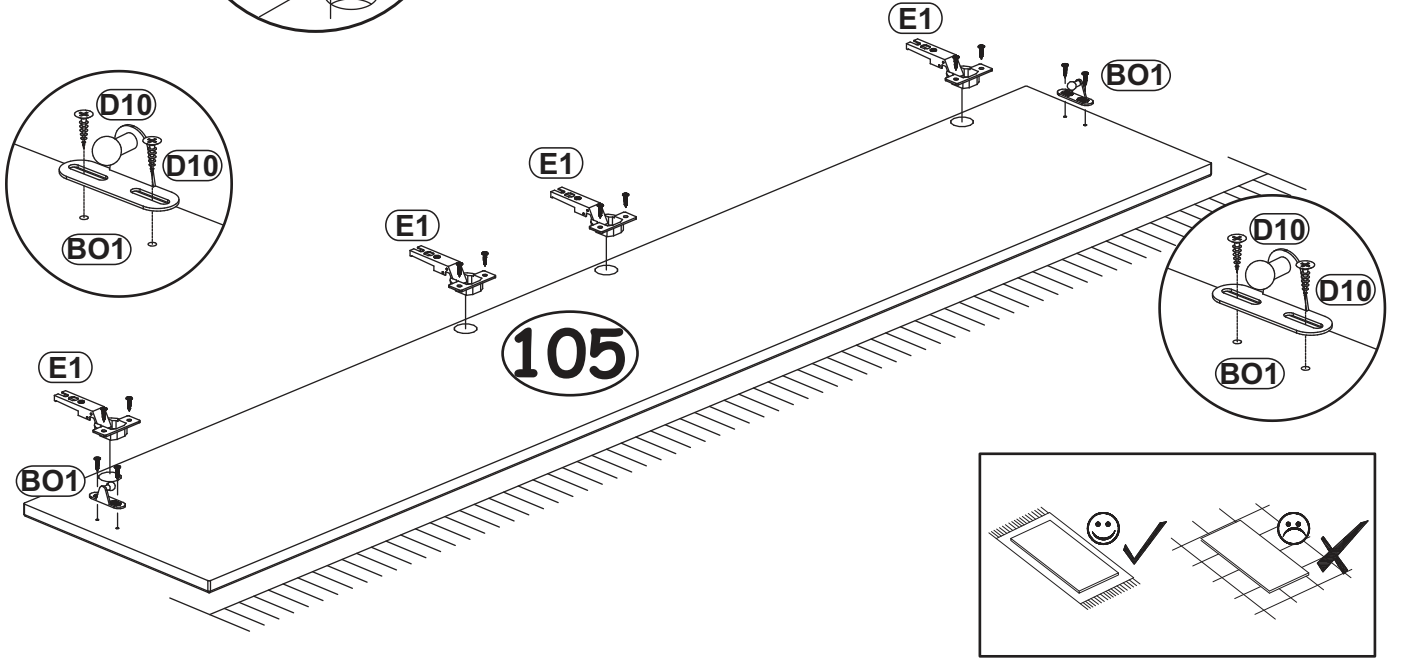
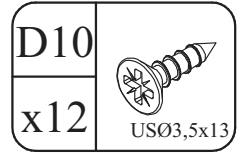
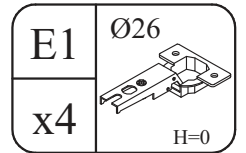
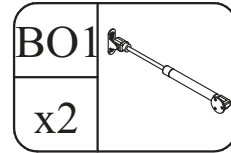
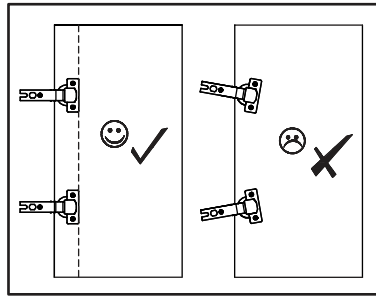
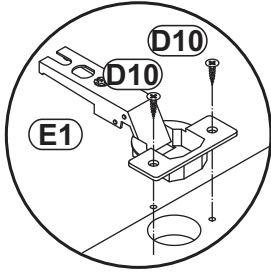
6



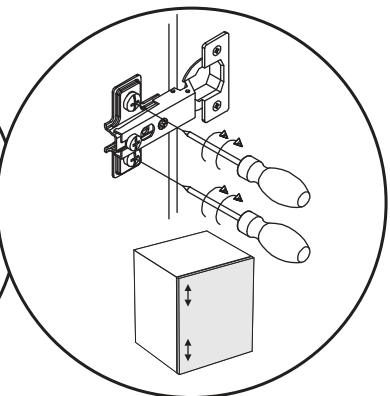
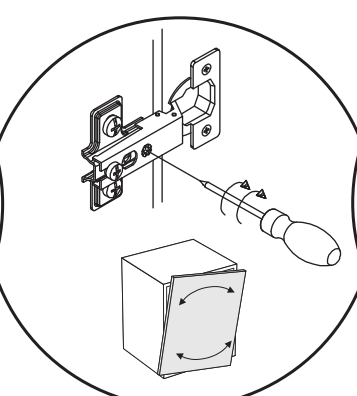
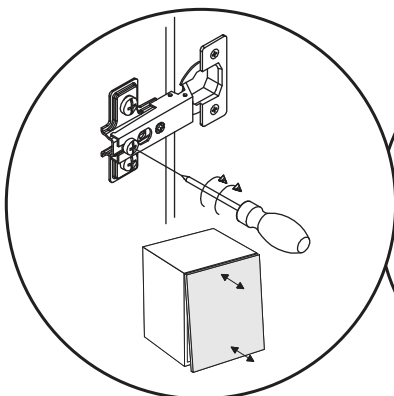
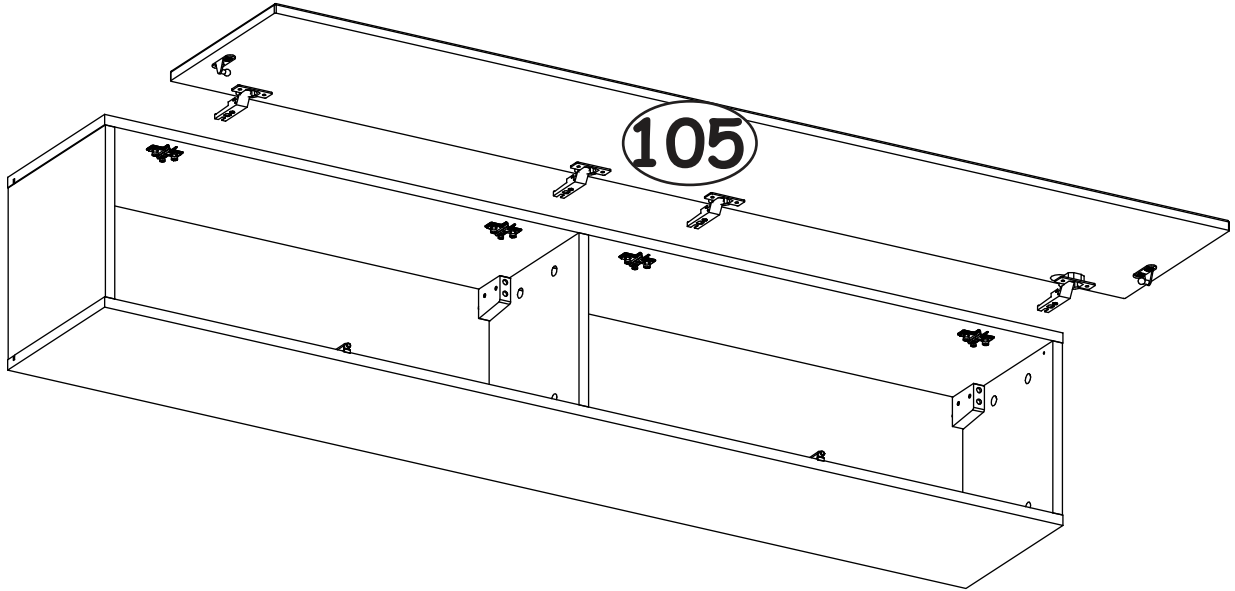
7



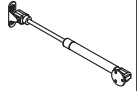

8



9



10

| | | | |
|-----|--|-----|---|
| D10 | US09/64"x33/64" | BO1 |  |
| x6 |  USØ3,5x13 | x2 | |

