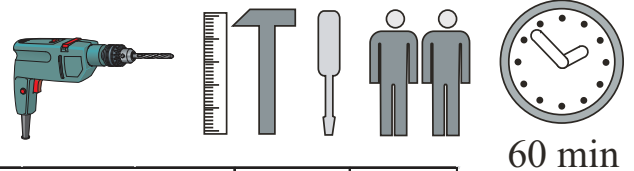
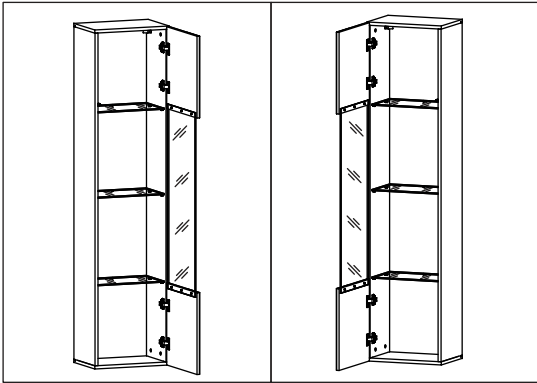
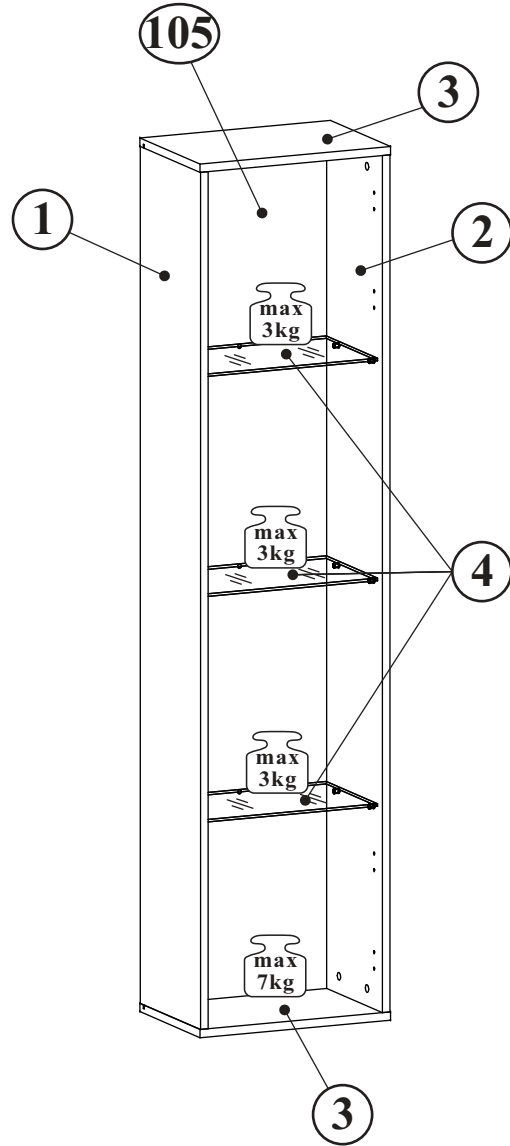
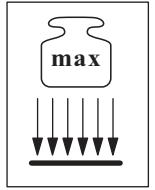
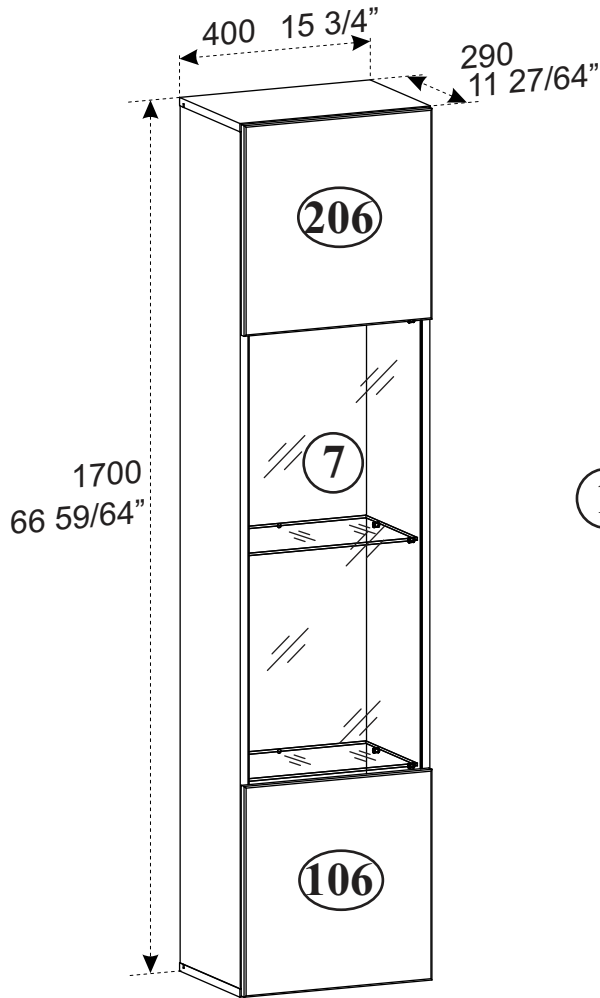
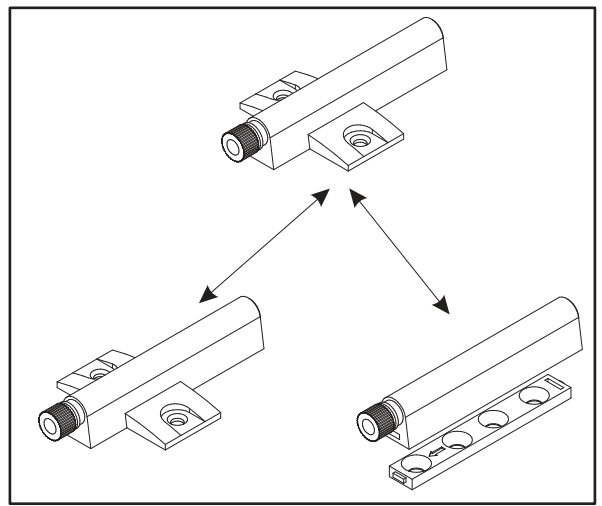
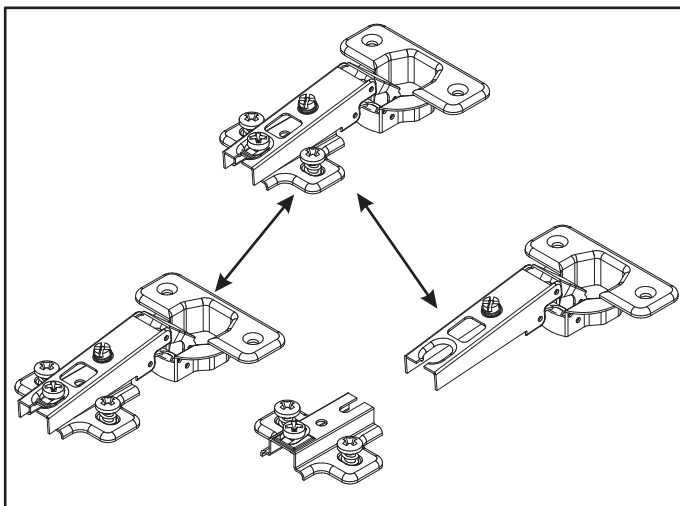
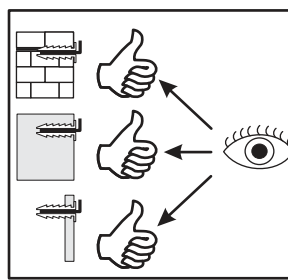
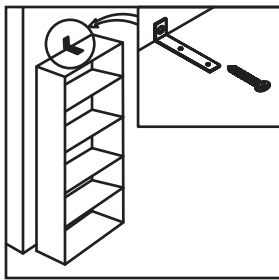
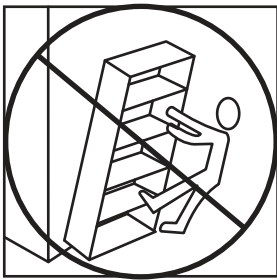
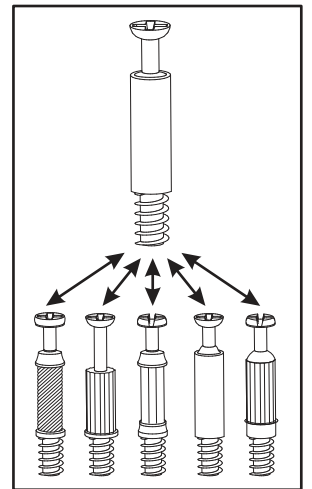
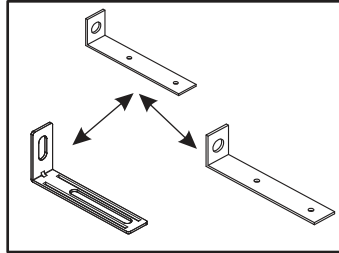
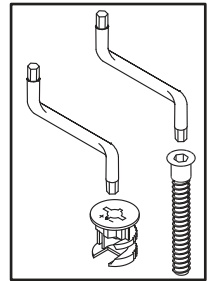
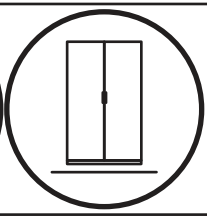
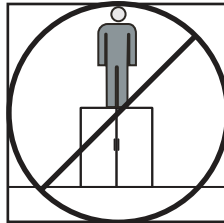
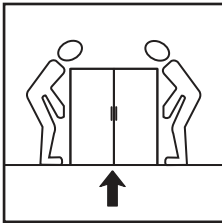
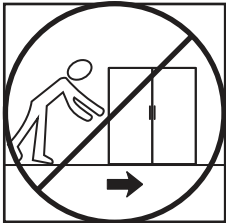
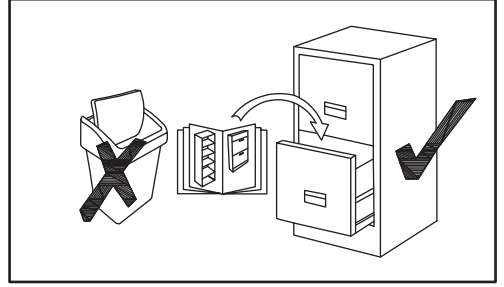
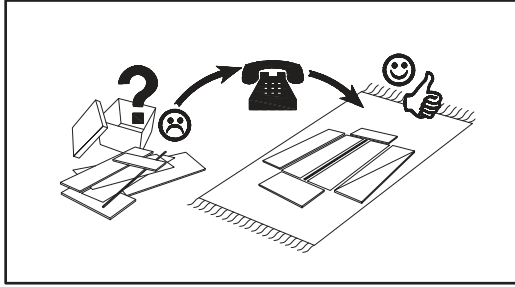
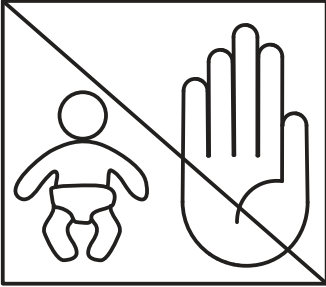
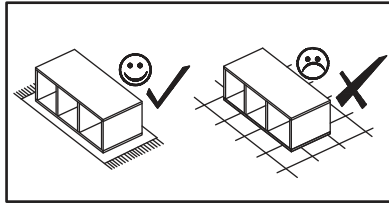
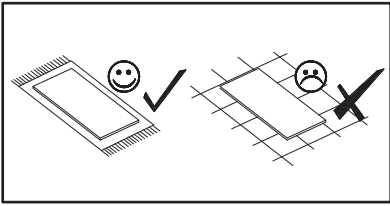


FLY 28 -- FY 42-C

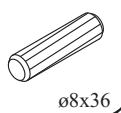
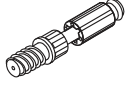


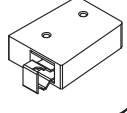

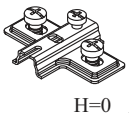
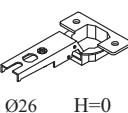

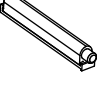
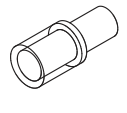

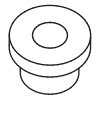

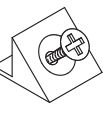

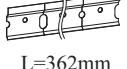


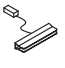


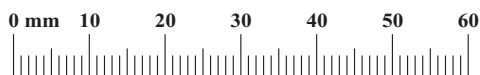
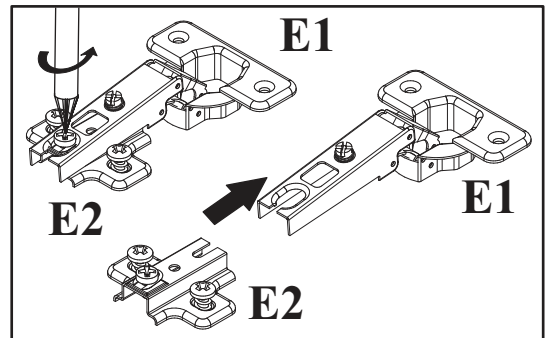
NO	Dim.			Col.-No	Qty
1	1668	274	16	1	1
2	1668	274	16	1	1
3	400	274	16	1	2
4	364	234	5	1	3
105	1680	378	3	1	1
106	394	410	16	1	1
206	394	410	16	1	1
7	925	362	4	1	1

NO	Dim.			Col.-No	Qty
1	65 43/64	10 25/32	5/8	1	1
2	65 43/64	10 25/32	5/8	1	1
3	15 3/4	10 25/32	5/8	1	2
4	14 21/64	9 7/32	13/64	1	3
105	66 9/64	14 7/8	1/8	1	1
106	15 33/64	16 9/64	5/8	1	1
206	15 33/64	16 9/64	5/8	1	1
7	36 27/64	14 1/4	5/32	1	1

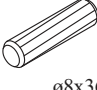


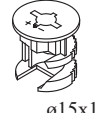
FLY 28--FY 42-C

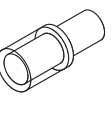
A1 x8  Ø5/16"x1 27/64" ø8x36	B4 x8 	B5 x8  Ø19/32"x15/32" ø15x12	G5 x8 	ZR1 x2 	D6 x4  USØ9/64"x1 3/16" USØ3,5x30
E2 x4  H=0	E1 x4  Ø1 1/32" Ø26 H=0	D10 x10  USØ9/64"x33/64" USØ3,5x13	AM x1 	G20 x12 	Z2 x8  Ø13/64" Ø5
P2 x6 	UP13 x6  UPØ1/8"x 5/8" UPØ3x16	S1 x12 	KR5 SFXP x2  Ø 25/64"/1 31/32" x2 23/64" Ø10/50x60	SZ9 x1  L=14 1/4" L=362mm	G2 x1 
LZ3 x1 	LED x3 				

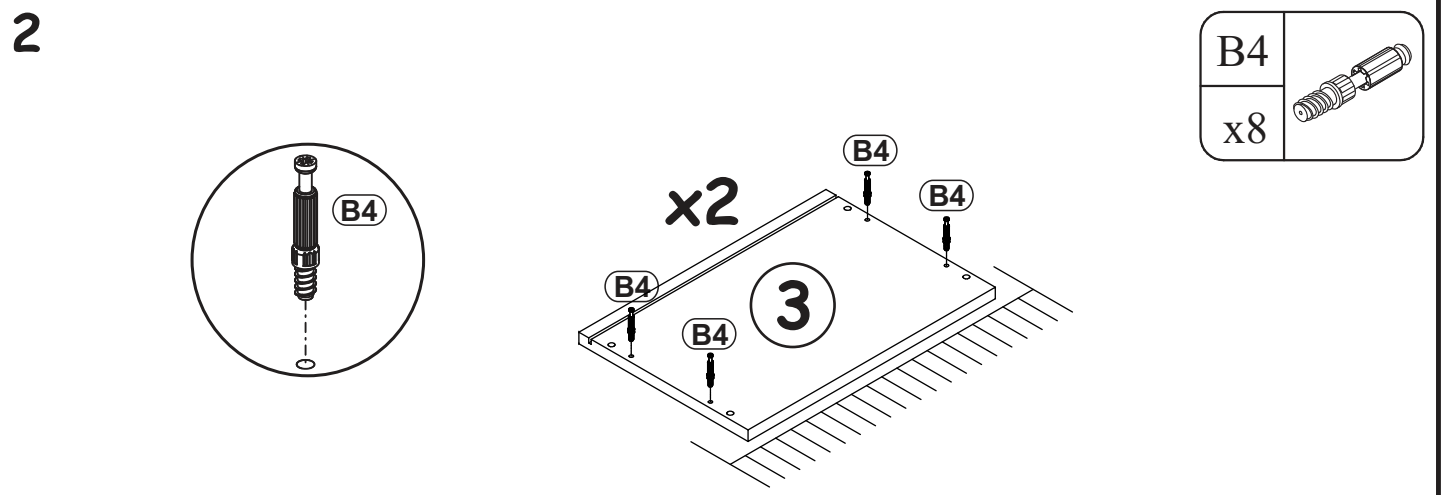
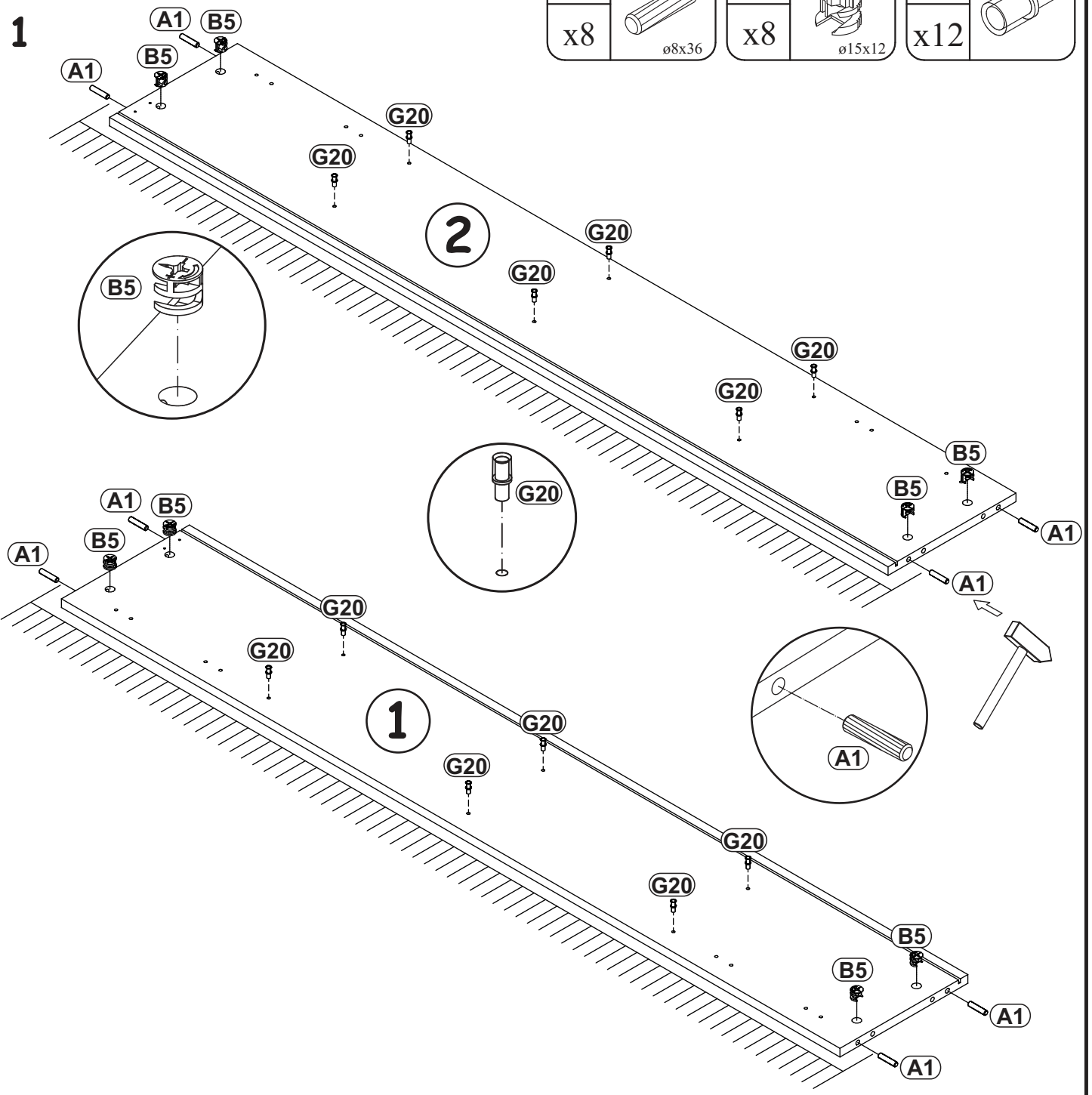


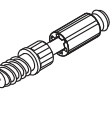
FLY 28--FY 42-C

A1	Ø5/16"x1 27/64"
x8	 ø8x36

B5	Ø19/32"x15/32"
x8	 ø15x12

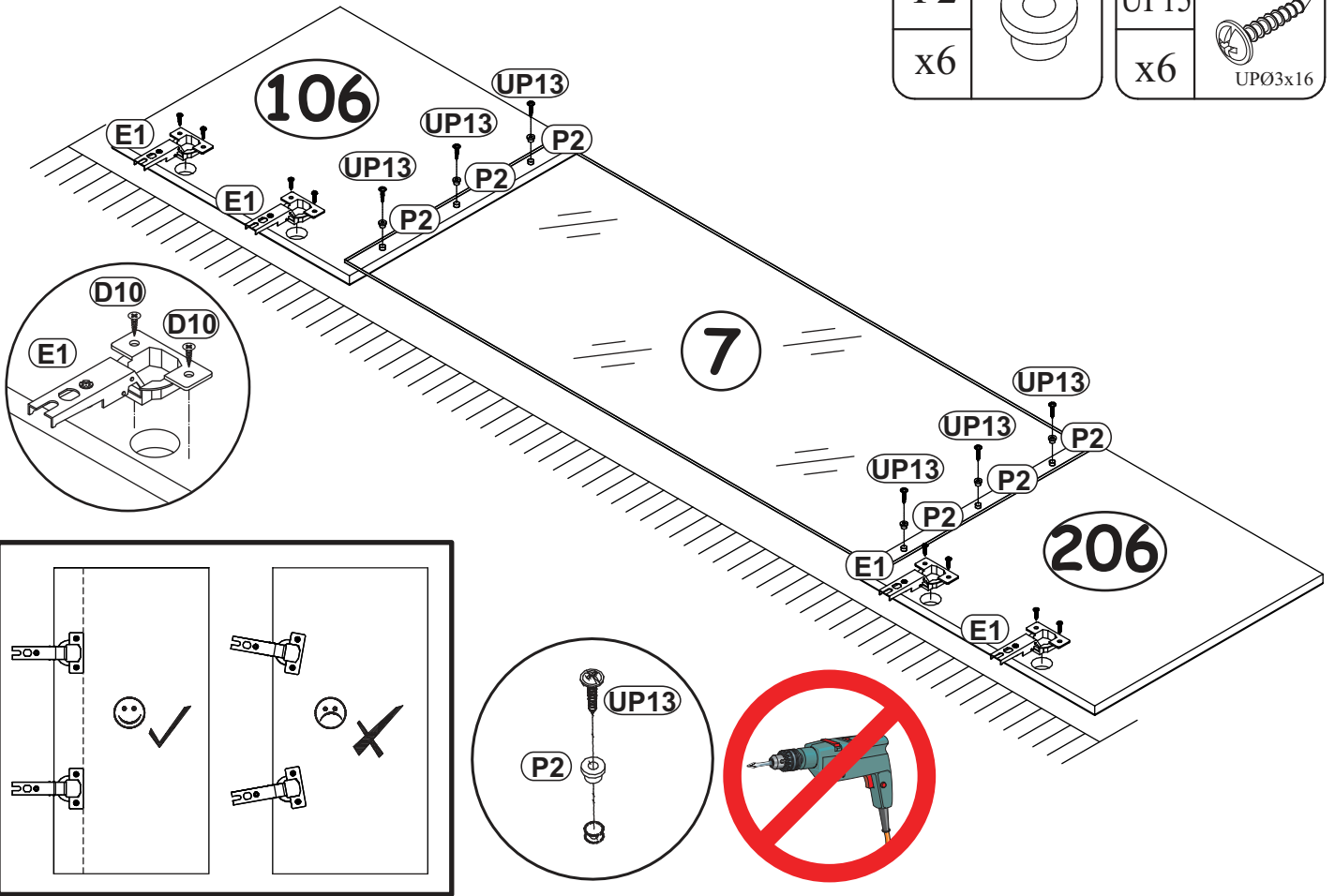
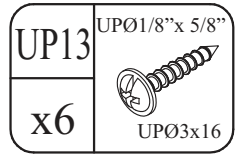
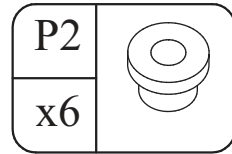
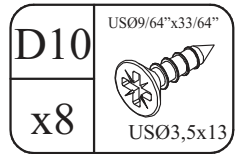
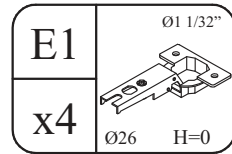
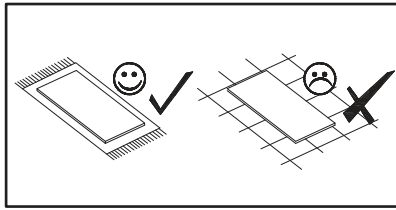
G20	
x12	



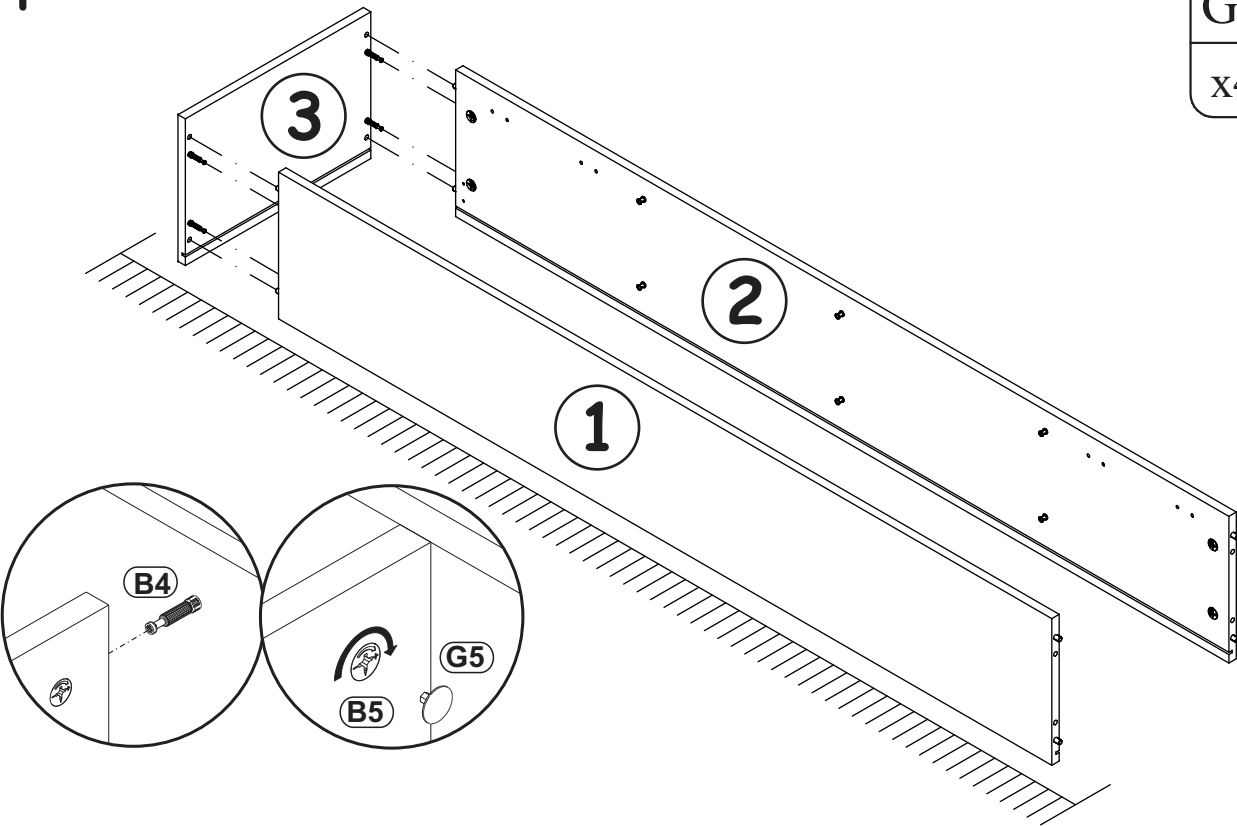
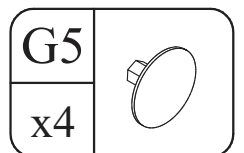
B4	
x8	

FLY 28--FY 42-C

3



4

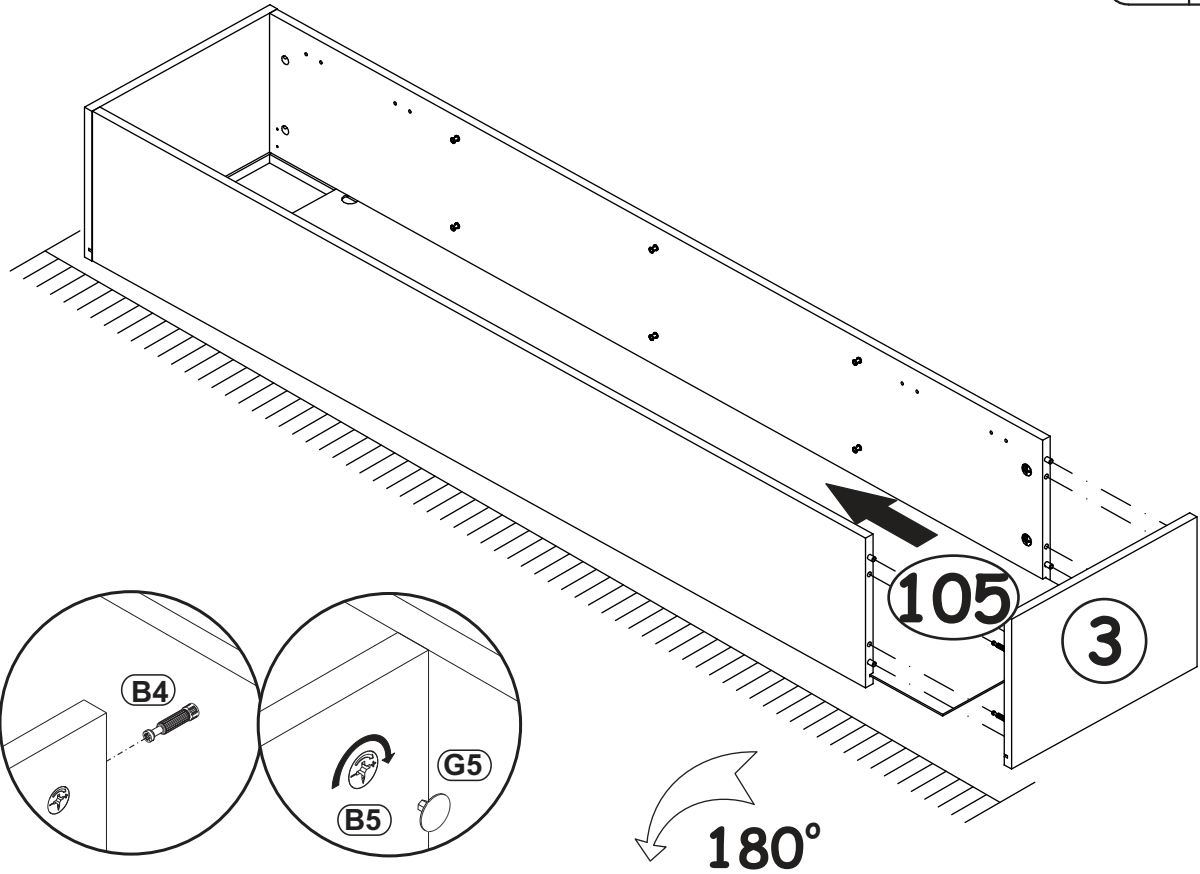


G5

x4



5

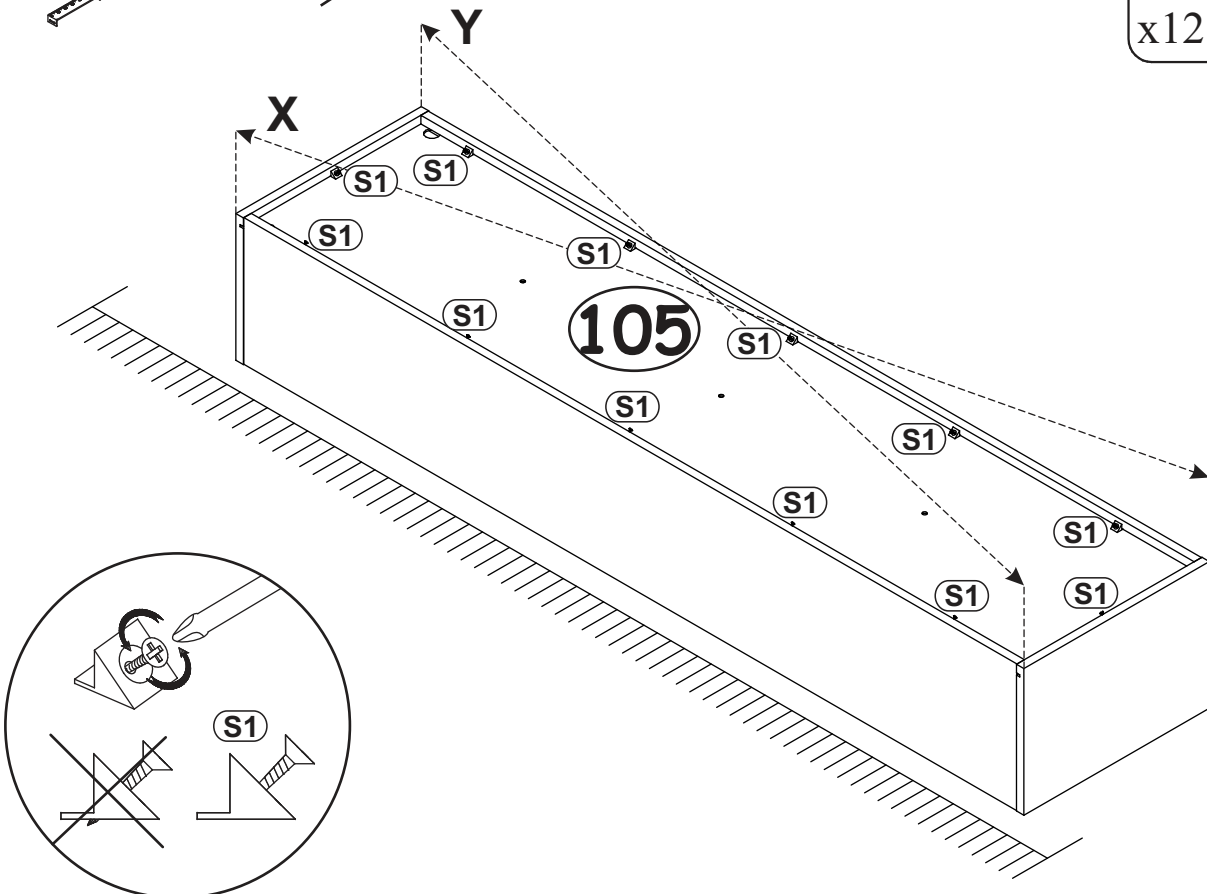
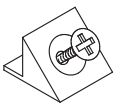


6



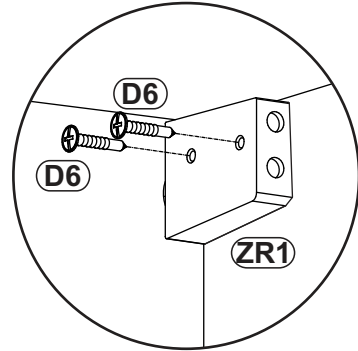
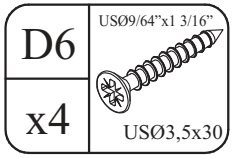
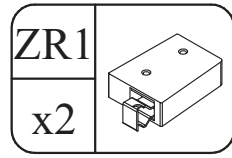
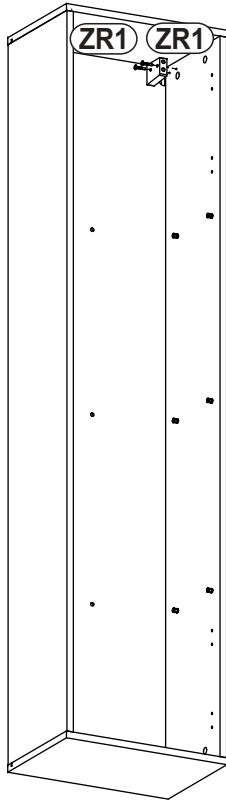
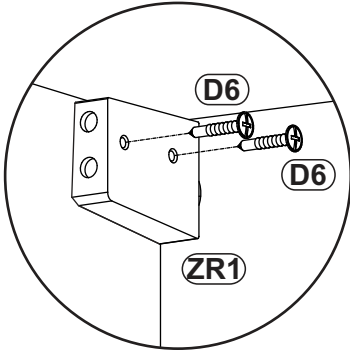
S1

x12

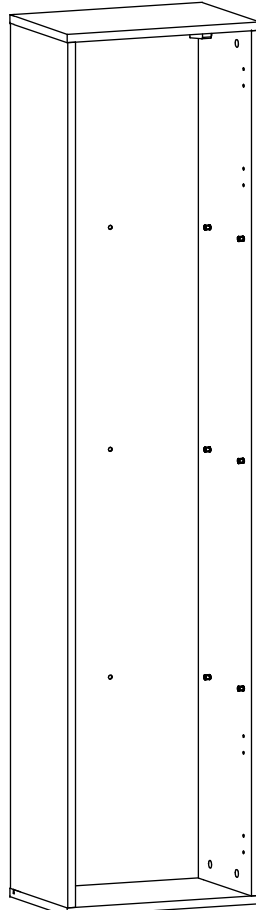
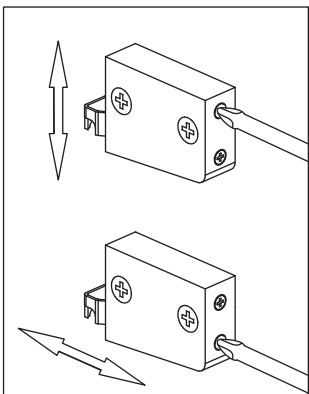
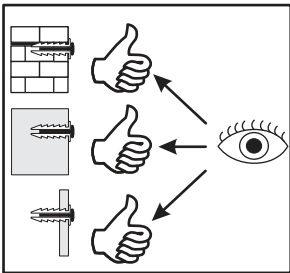
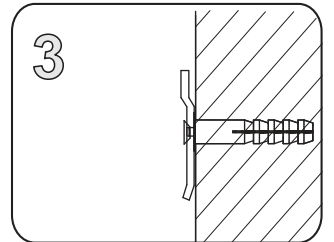
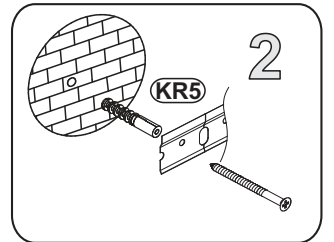
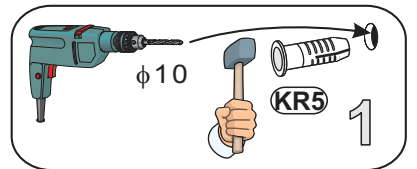
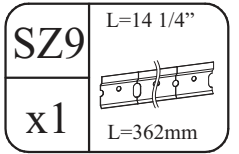
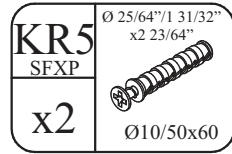
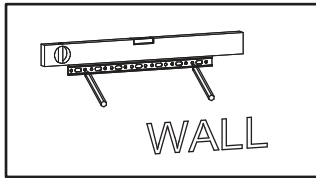
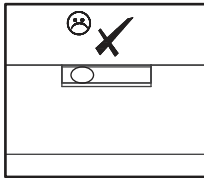
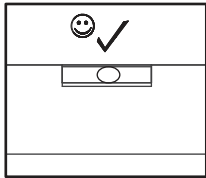


FLY 28--FY 42-C

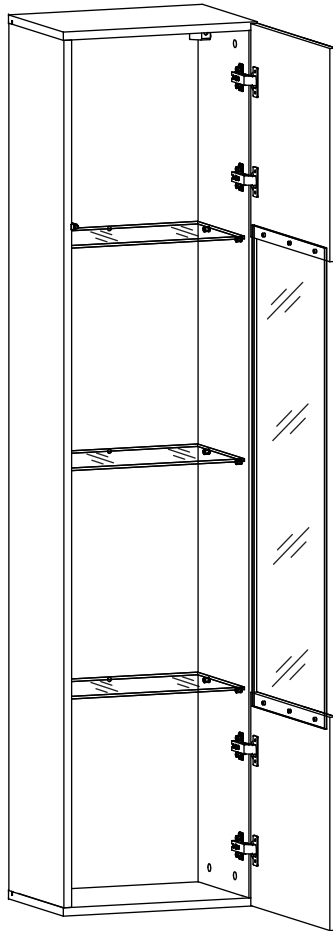
7



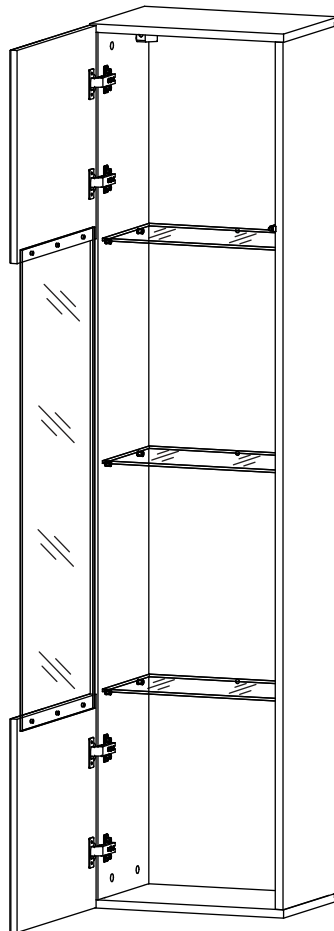
8



9-11

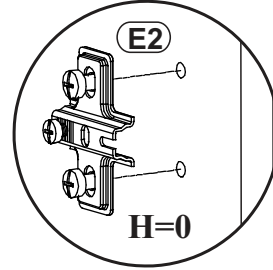
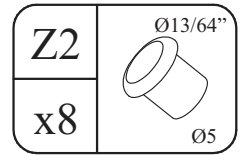
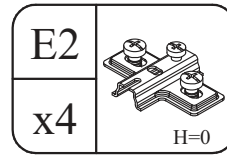
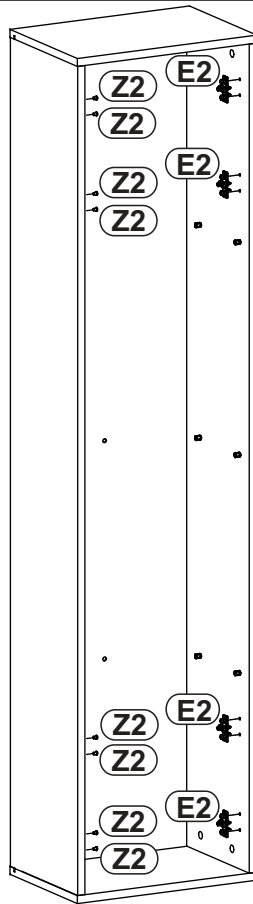
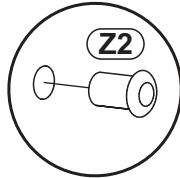
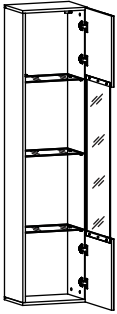


12-14

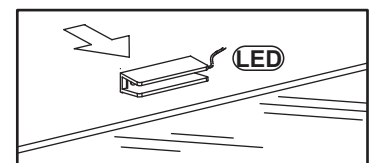
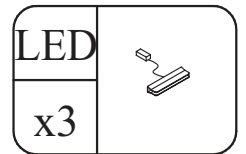
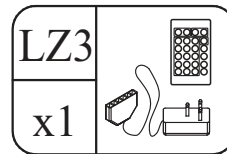
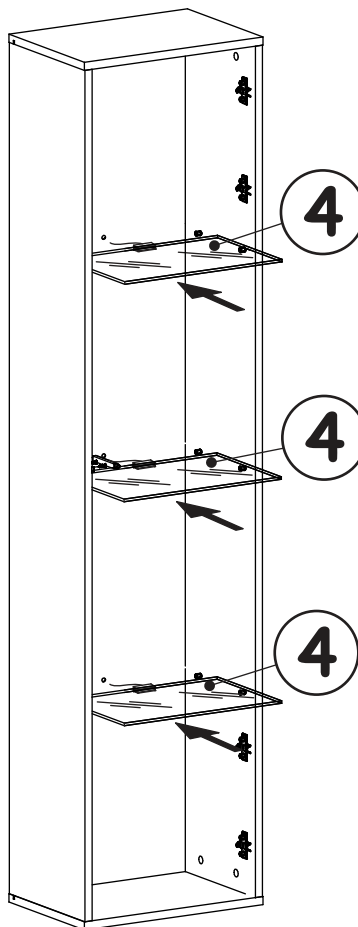
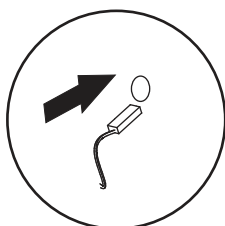
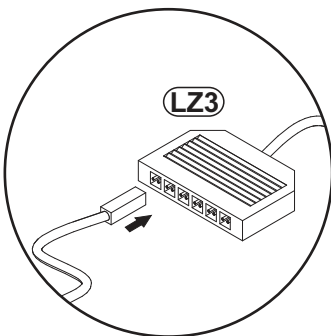
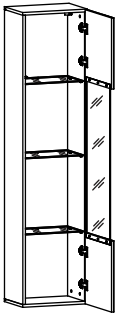


FLY 28--FY 42-C

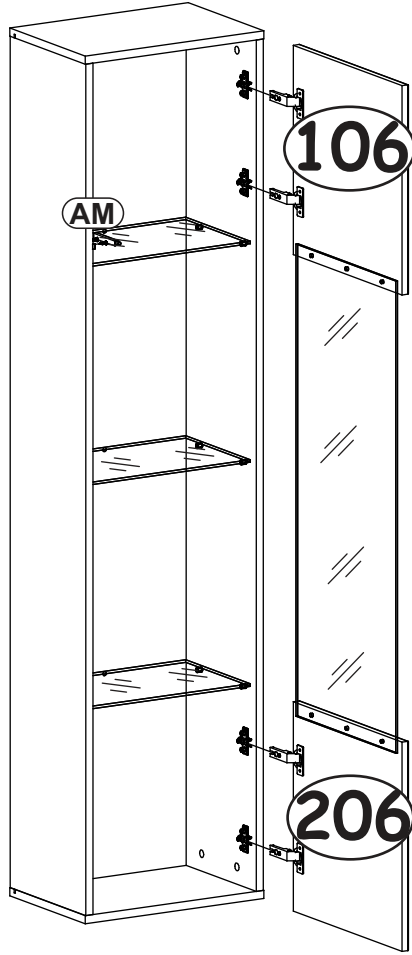
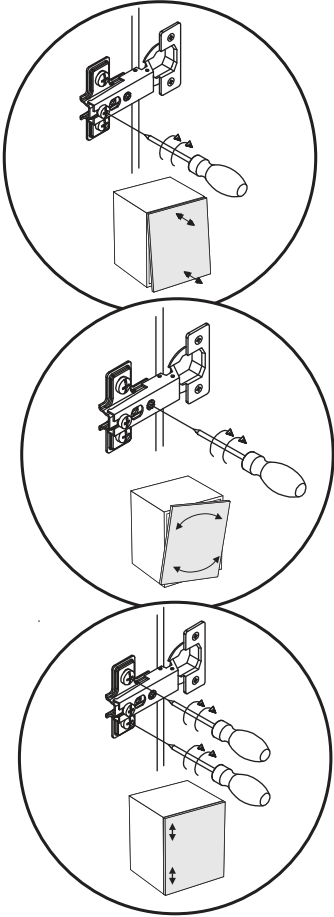
9



10

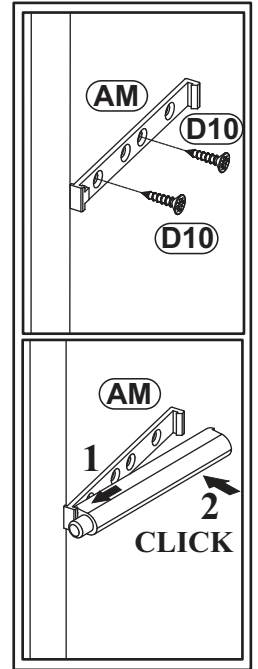


11

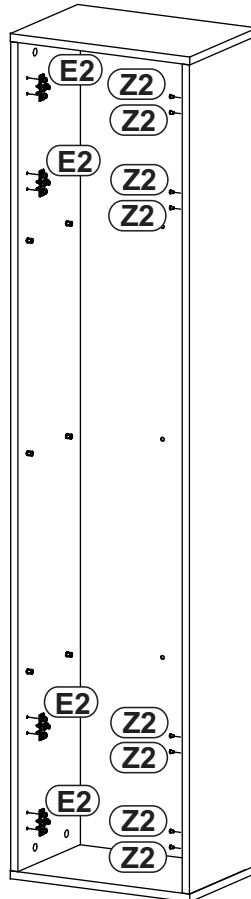
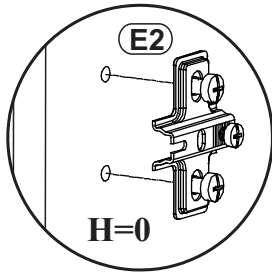
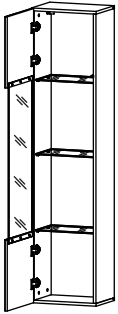


AM	
x1	

D10	US09/64"x33/64"
x2	
	USØ3,5x13

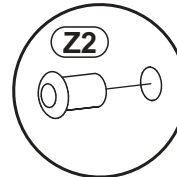


12

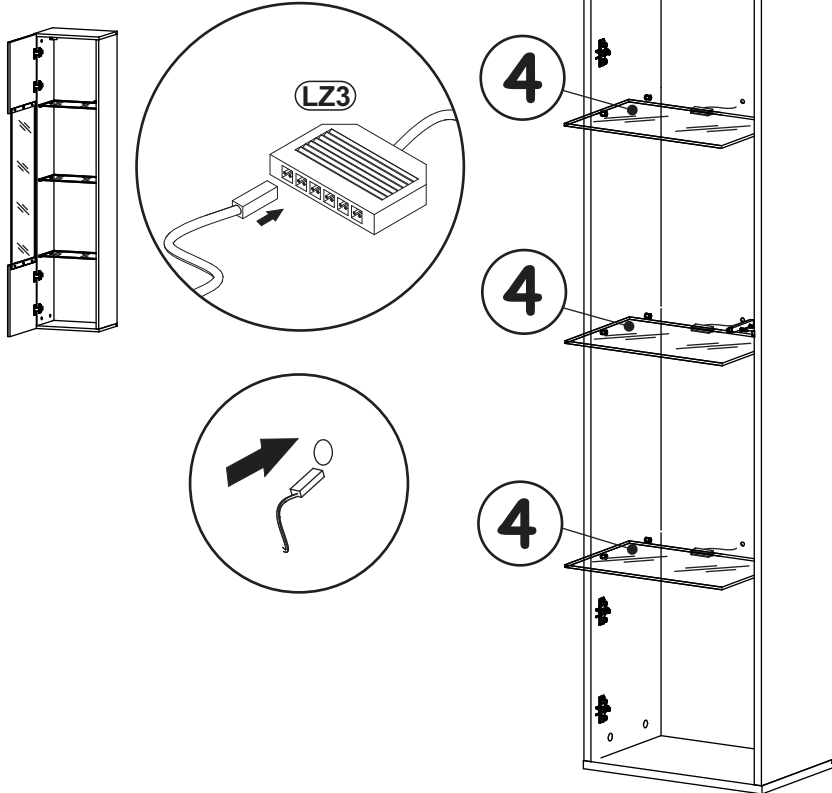


E2	
x4	H=0

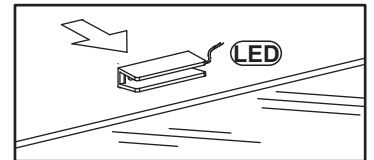
Z2	Ø13/64"
x8	
	Ø5



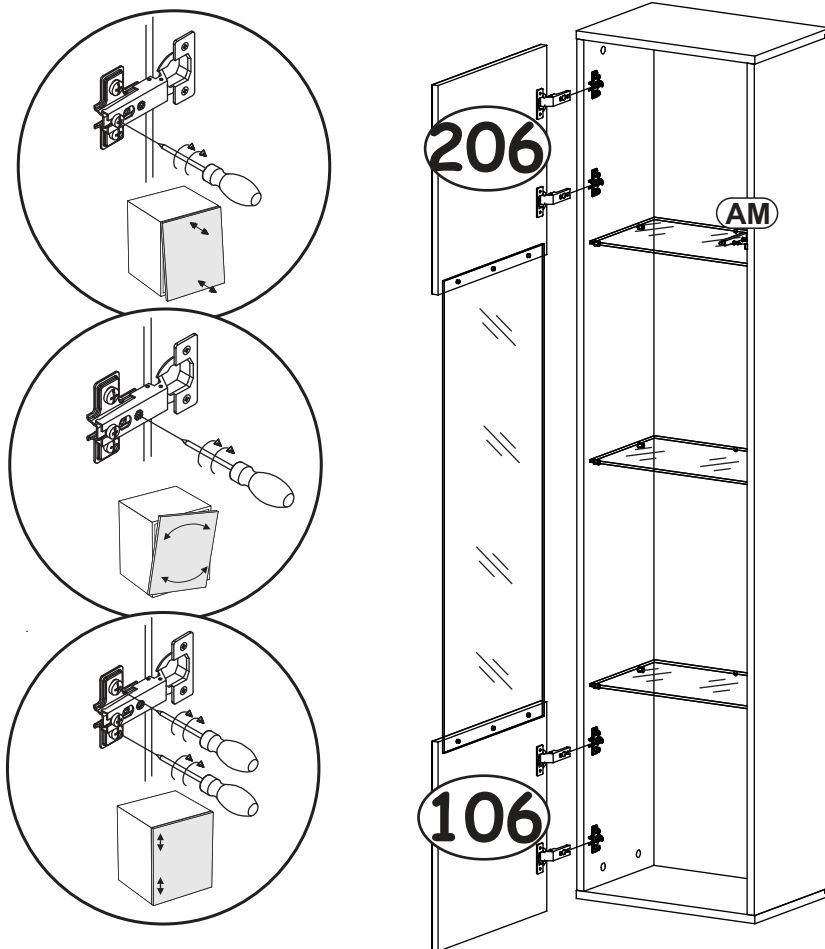
13



LZ3		LED	
x1		x3	



14



AM		D10	US09/64"x33/64"
x1		x2	USØ3,5x13

