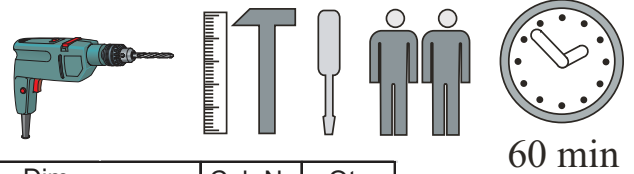
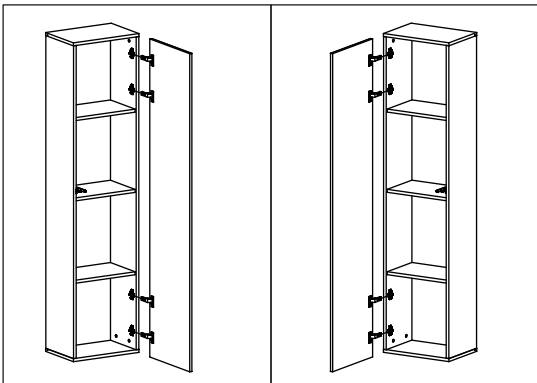
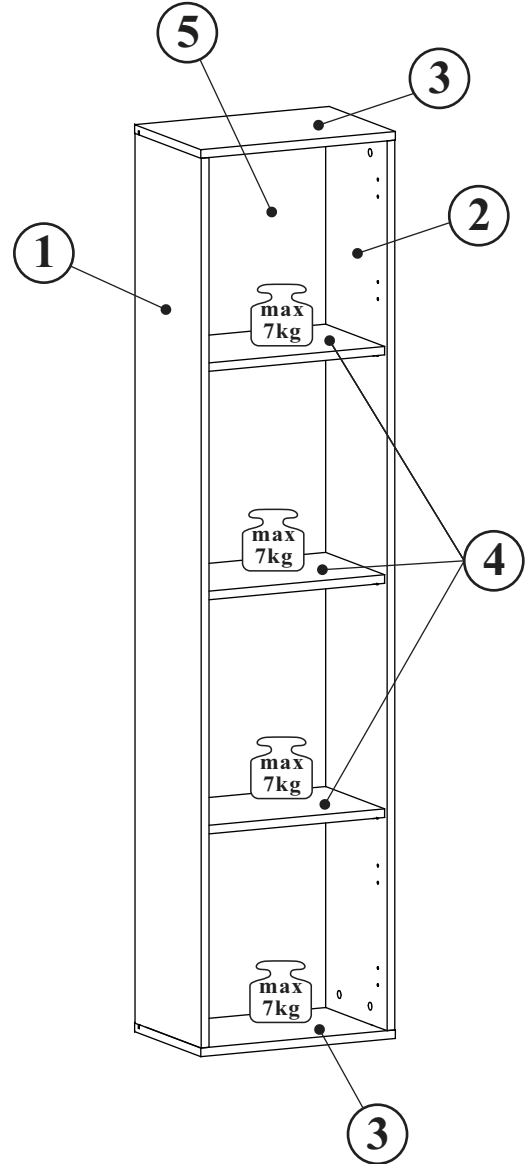
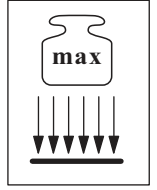
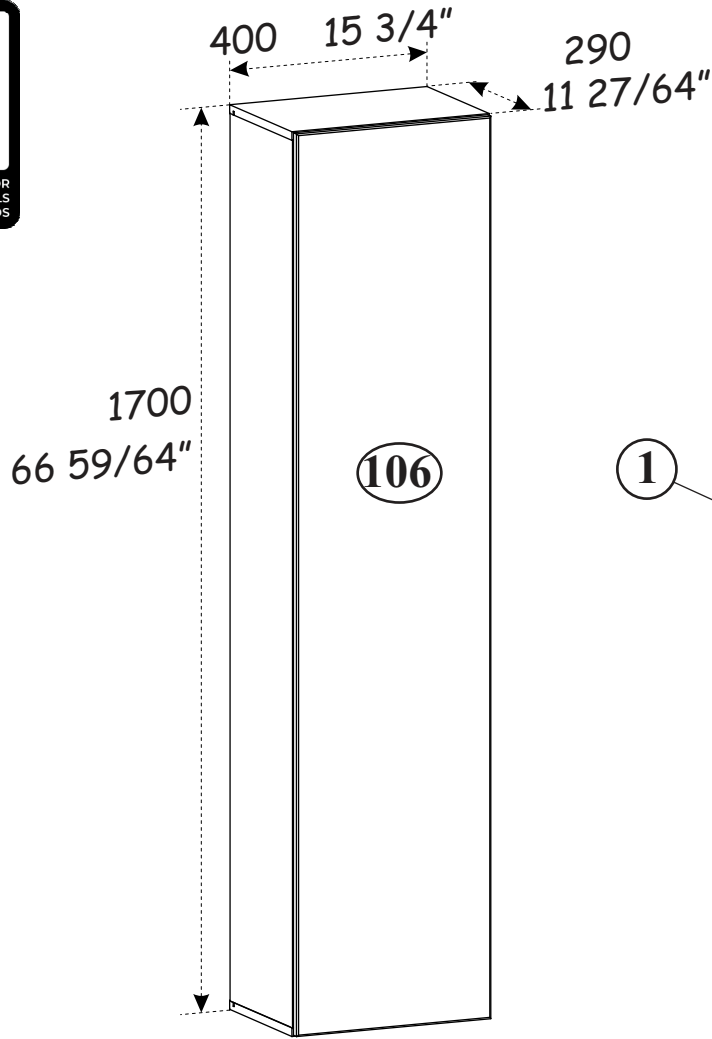
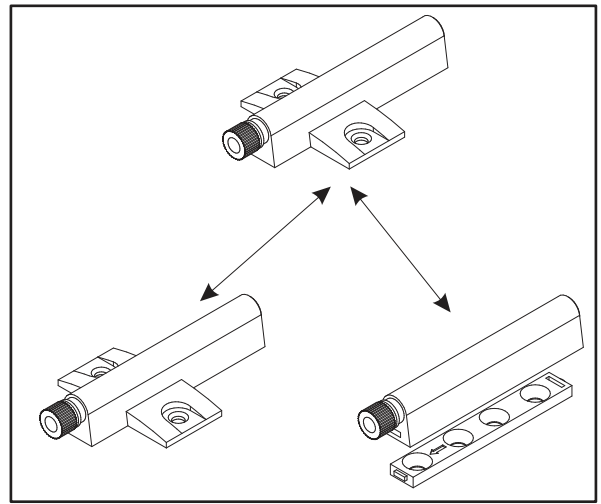
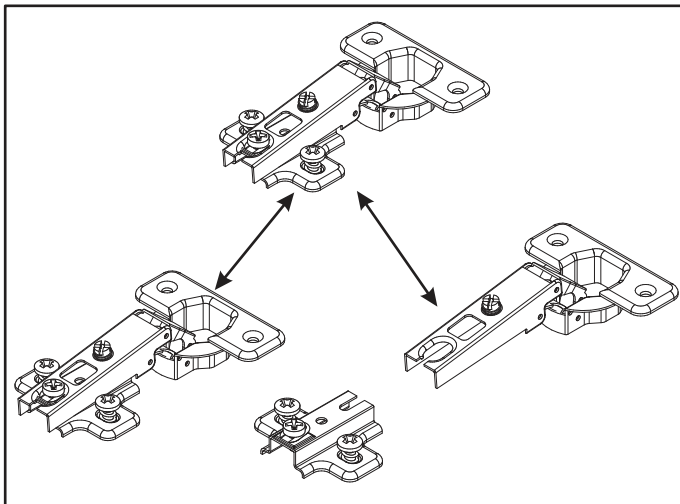
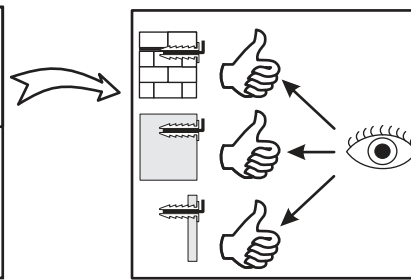
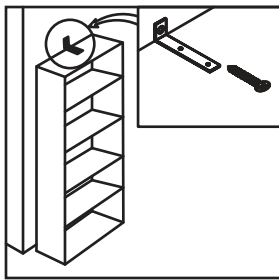
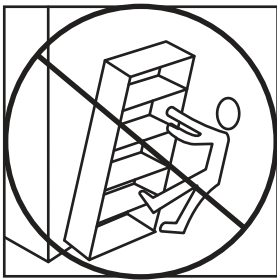
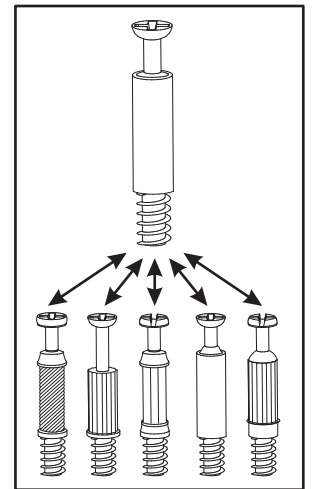
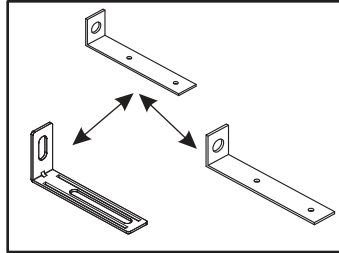
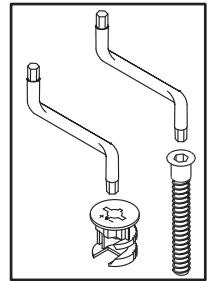
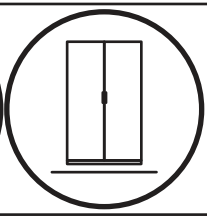
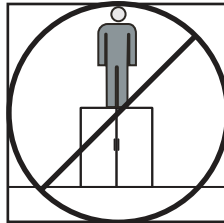
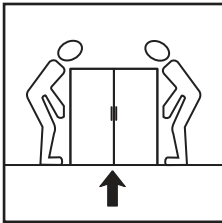
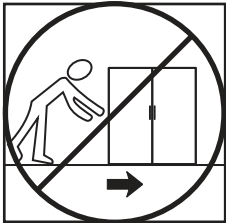
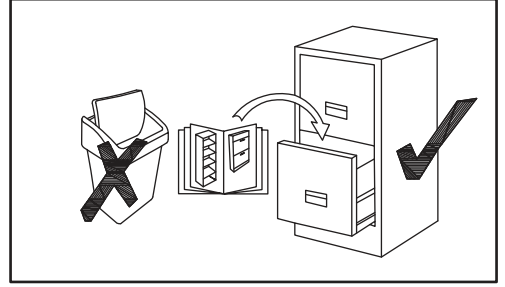
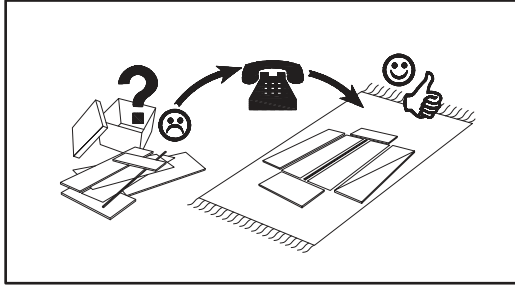
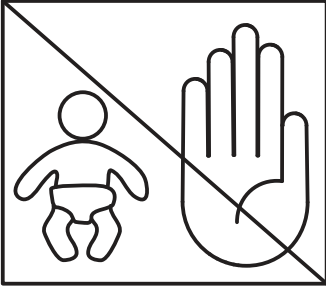
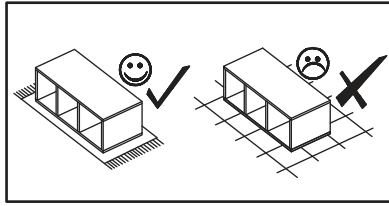
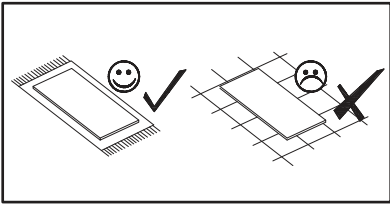


# FLY 28 -- FY 40-C

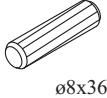
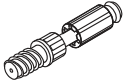


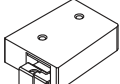
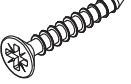
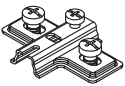
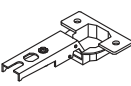
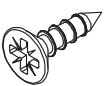
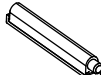
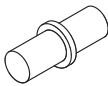

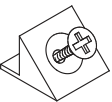





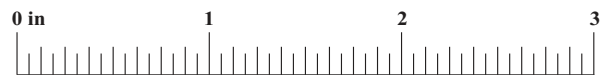
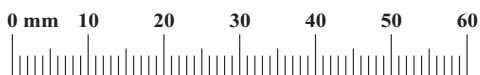
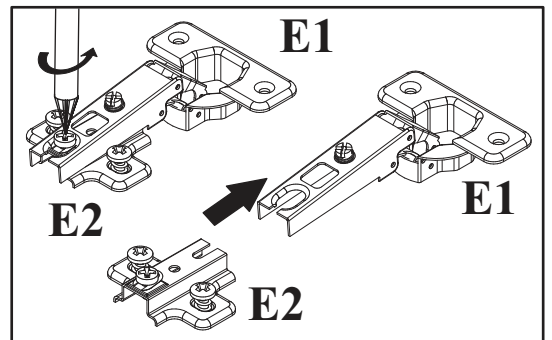
NO	Dim.			Col.-No	Qty
1	1668	274	16	1	1
2	1668	274	16	1	1
3	400	274	16	1	2
4	366	244	16	1	3
5	1680	378	3	1	1
106	394	1696	16	1	1

NO	Dim.			Col.-No	Qty
1	65 43/64	10 25/32	5/8	1	1
2	65 43/64	10 25/32	5/8	1	1
3	15 3/4	10 25/32	5/8	1	2
4	14 13/32	9 39/64	5/8	1	3
5	66 9/64	14 7/8	1/8	1	1
106	15 33/64	66 49/64	5/8	1	1

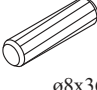



FLY 28--FY 40-C

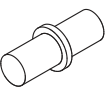
A1 x8	Ø5/16"x1 27/64"  ø8x36	B4 x8		B5 x8	Ø19/32"x15/32"  ø15x12	G5 x8		ZR1 x2		D6 x4	USØ9/64"x1 3/16"  USØ3,5x30
E2 x4	 H=0	E1 x4	Ø1 1/32"  Ø26 H=0	D10 x10	USØ9/64"x33/64"  USØ3,5x13	AM x1		G7 x12		Z2 x8	Ø13/64"  Ø5
S1 x12		KR5 SFXP x2	Ø 25/64"/1 31/32" x2 23/64"  Ø10/50x60	SZ9 x1	L=14 1/4"  L=362mm	G2 x1					

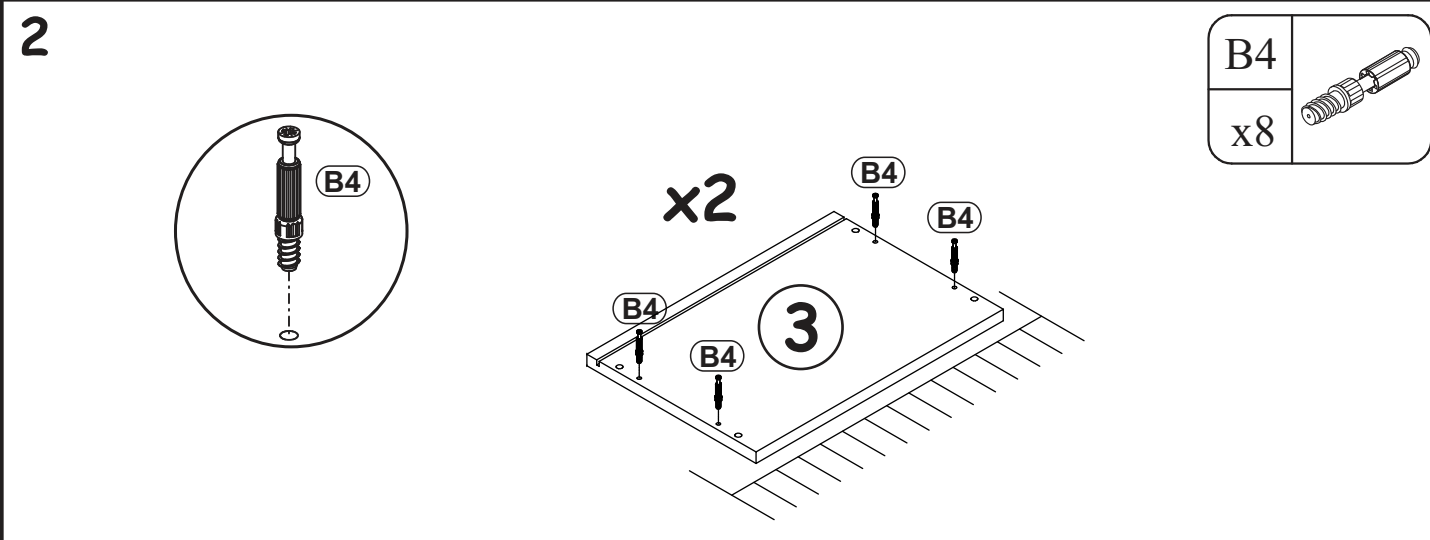
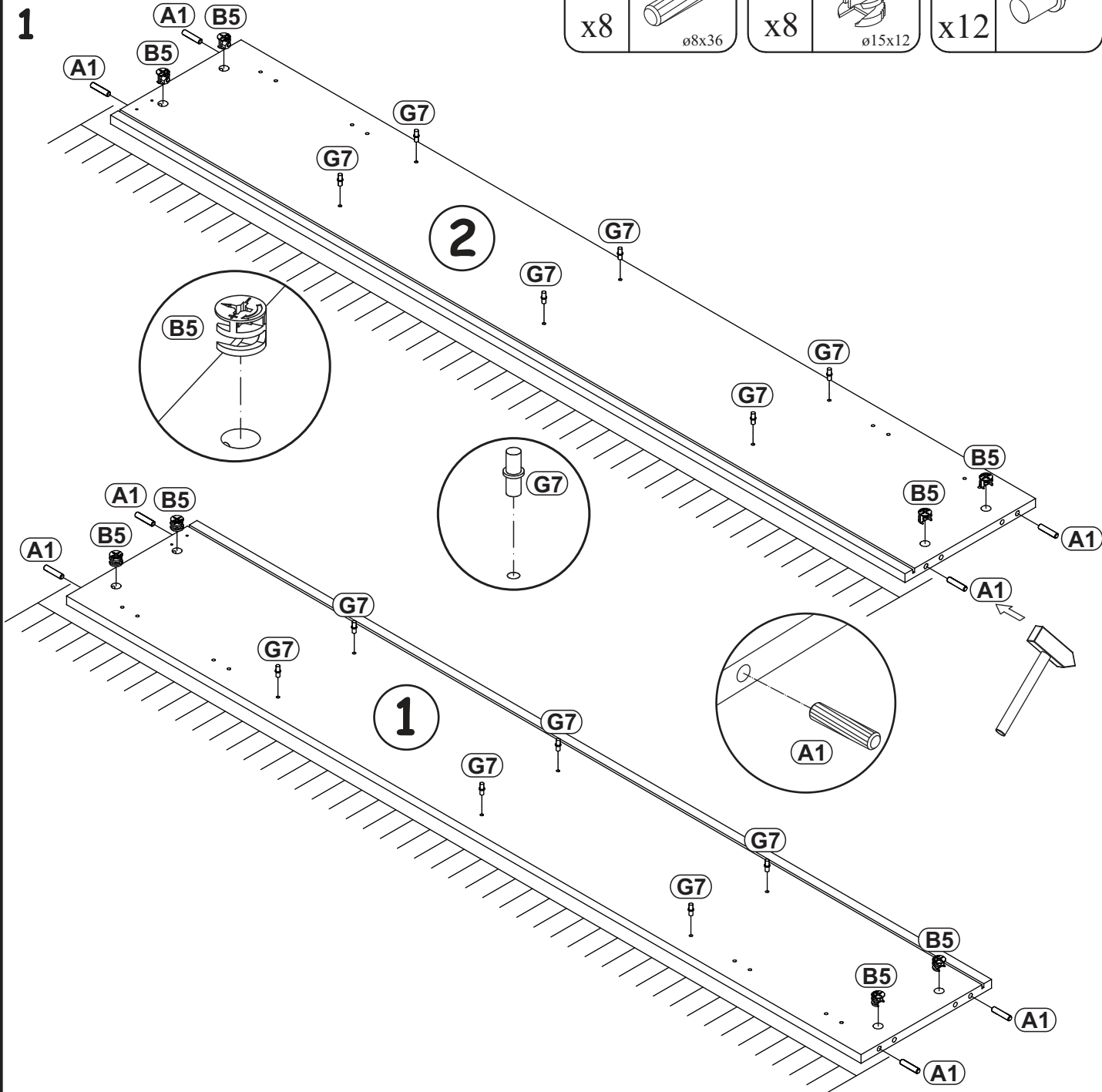


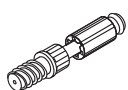
FLY 28--FY 40-C

A1	Ø5/16"x1 27/64"
x8	 ø8x36

B5	Ø19/32"x15/32"
x8	 ø15x12

G7	
x12	

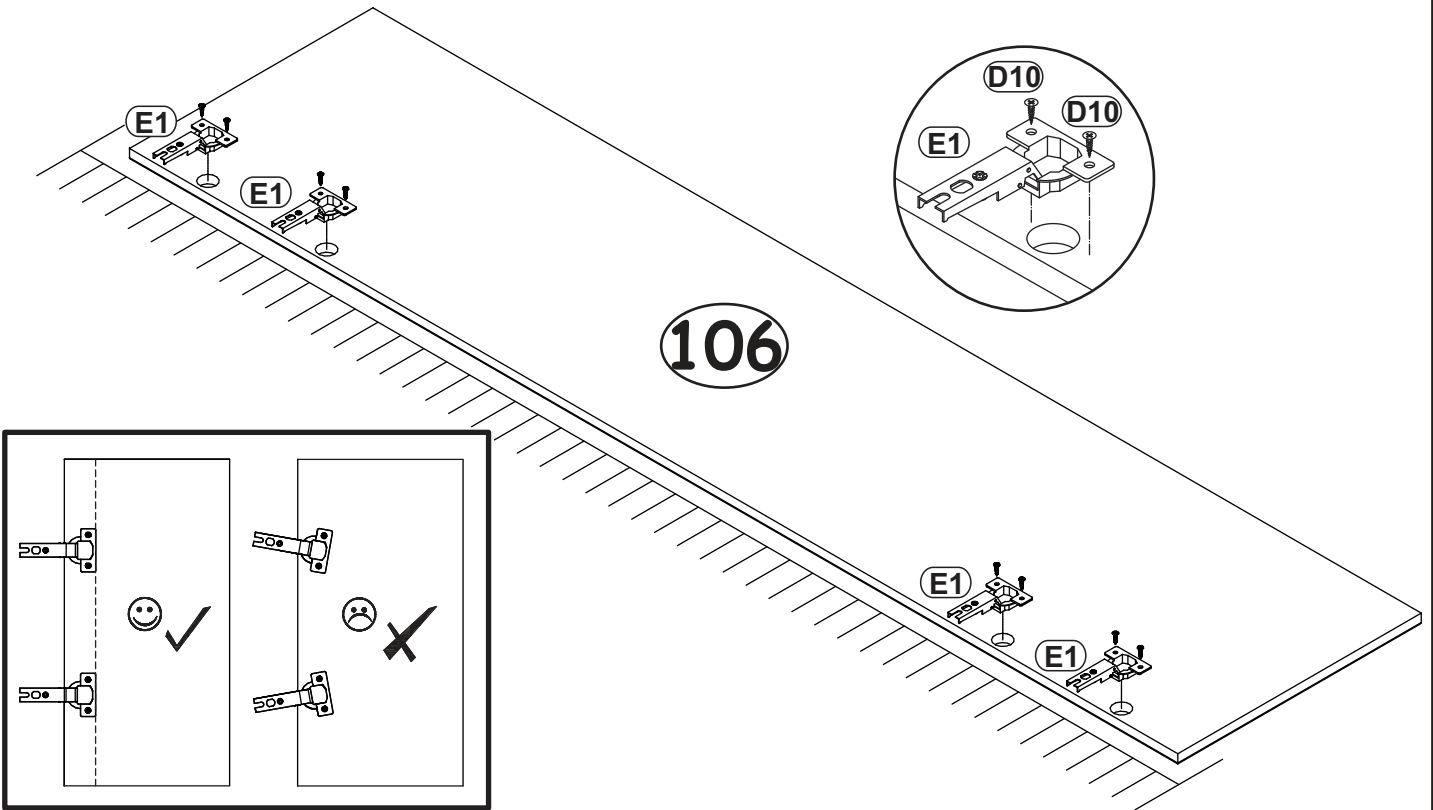


B4	
x8	

FLY 28--FY 40-C

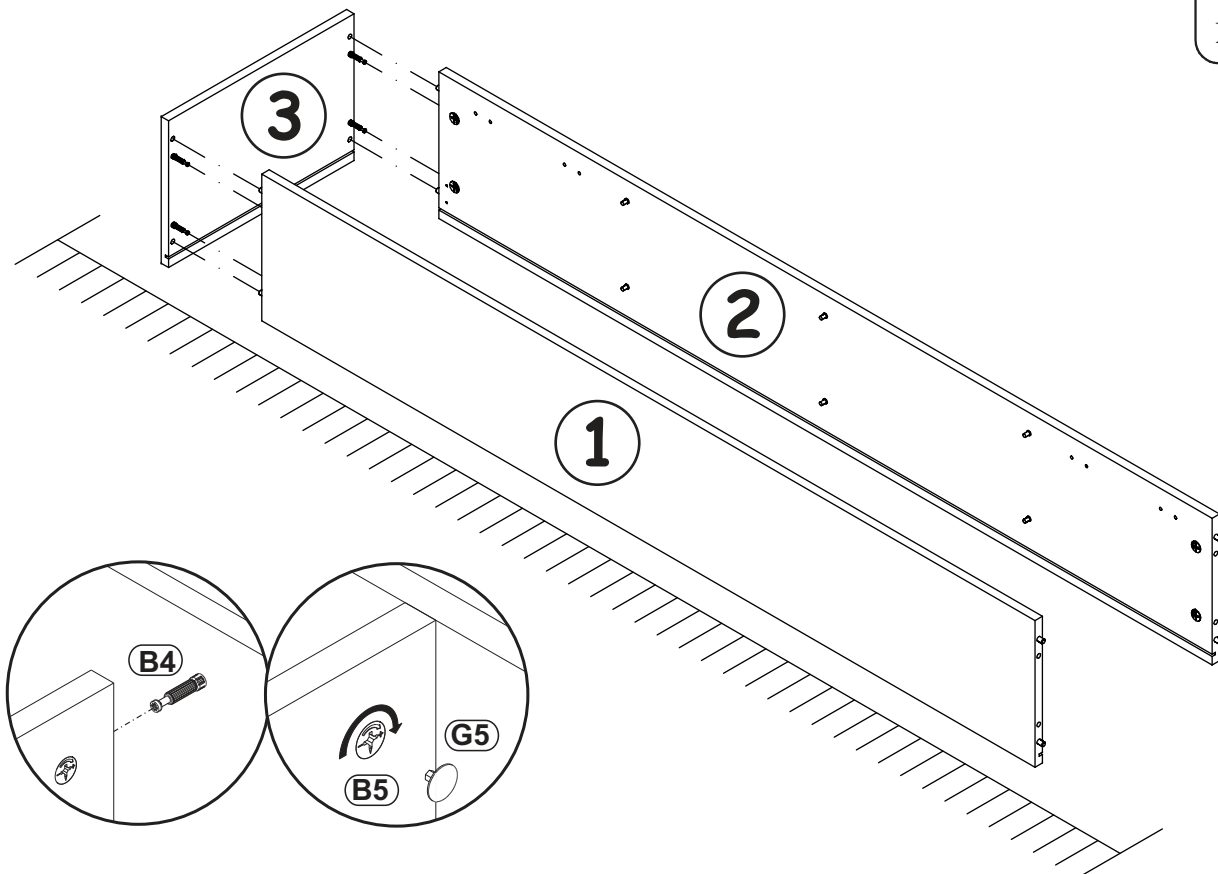
3

E1	Ø1 1/32"	D10	US09/64"x33/64"
x4	Ø26 H=0	x8	USØ3,5x13



4

G5	
x4	

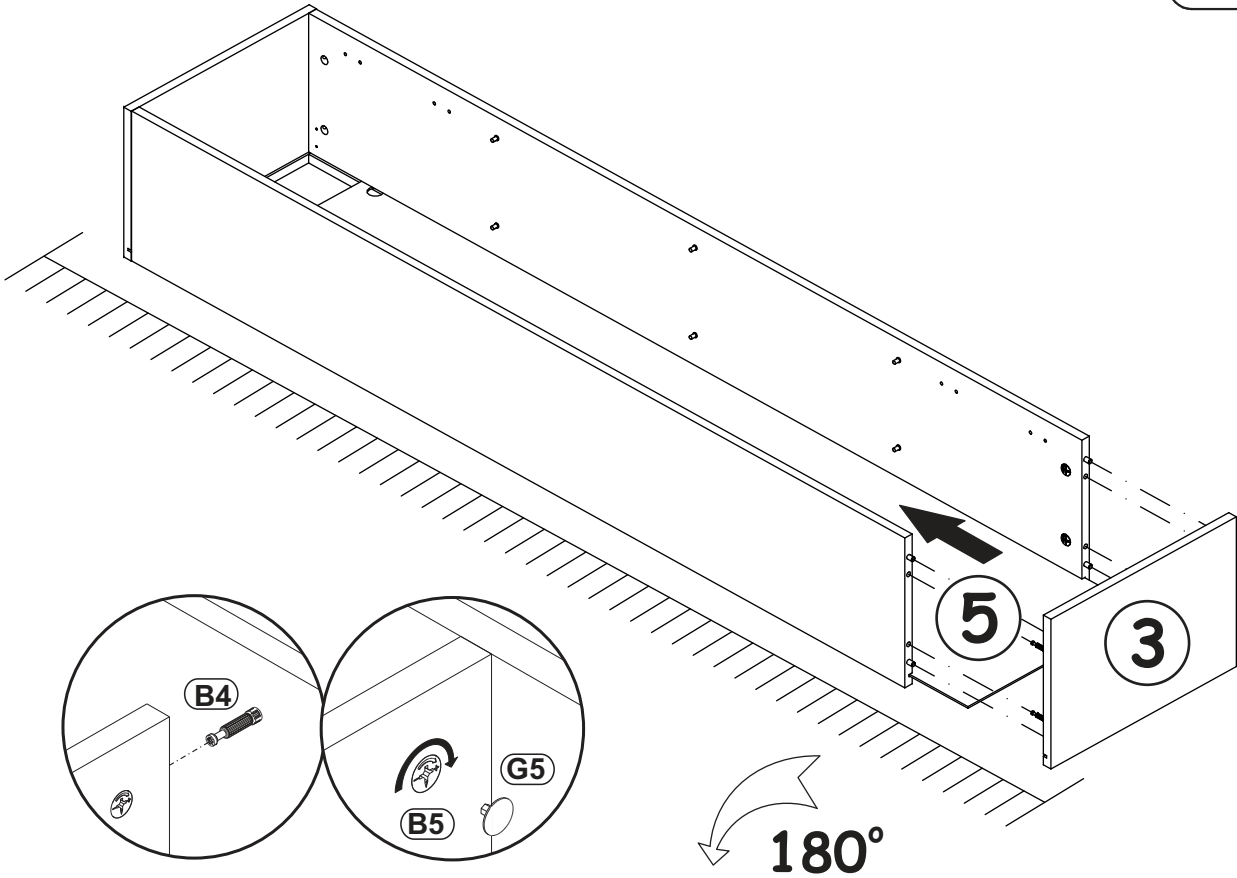


G5

x4



5



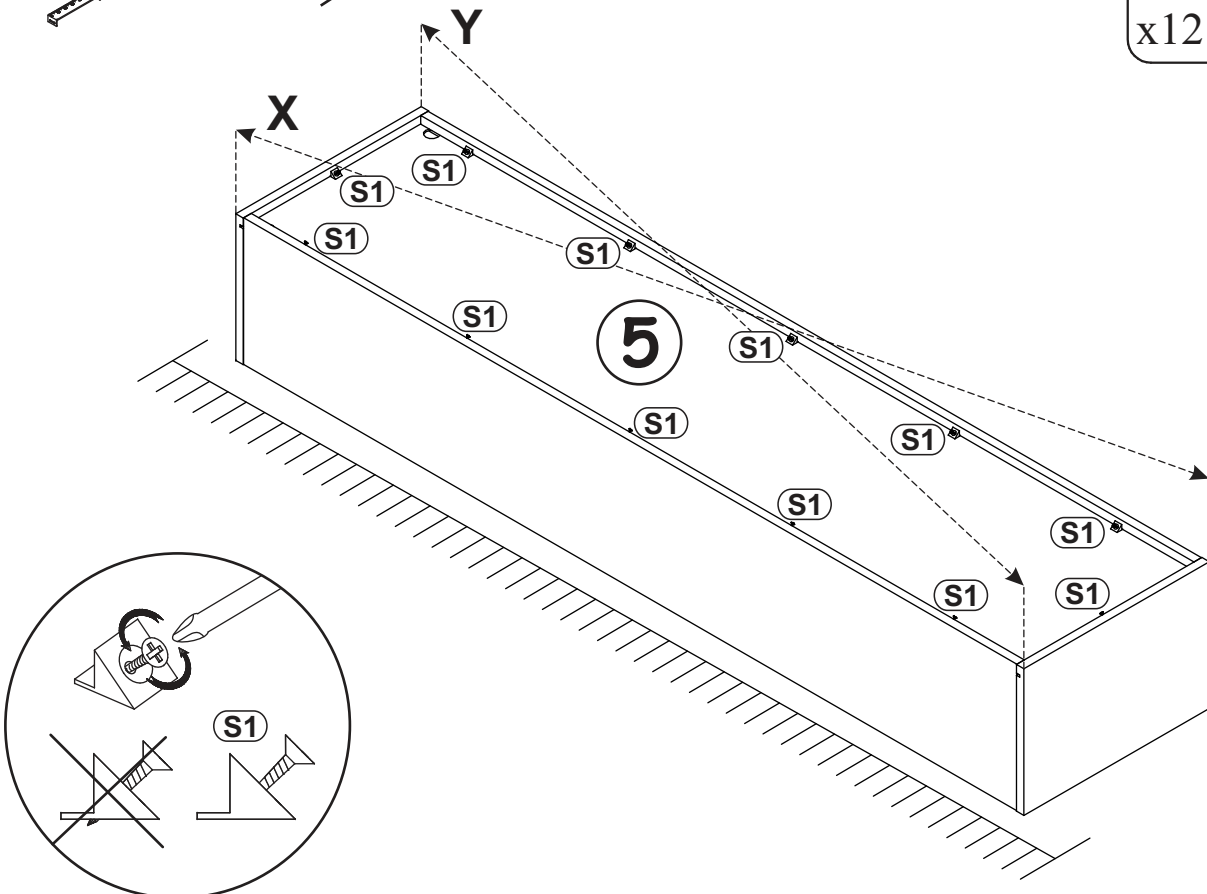
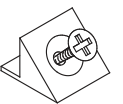
180°

6



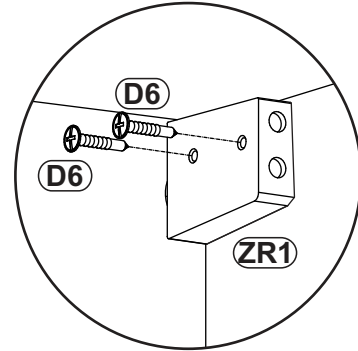
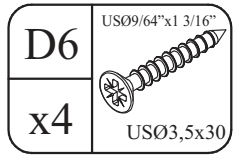
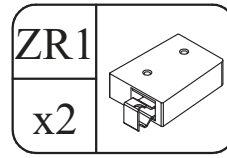
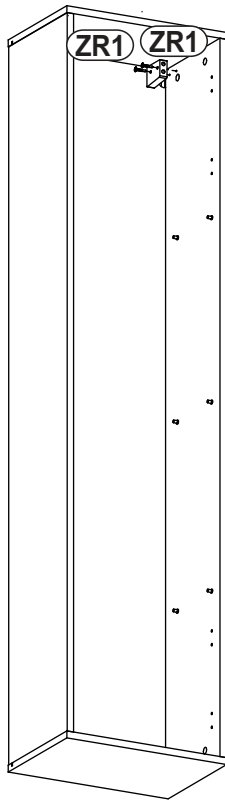
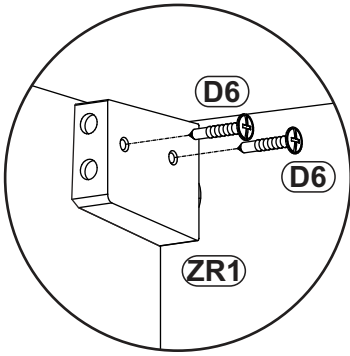
S1

x12

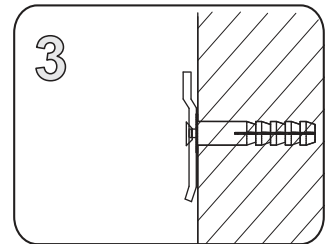
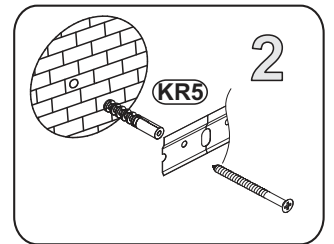
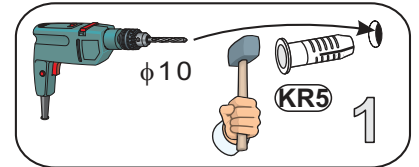
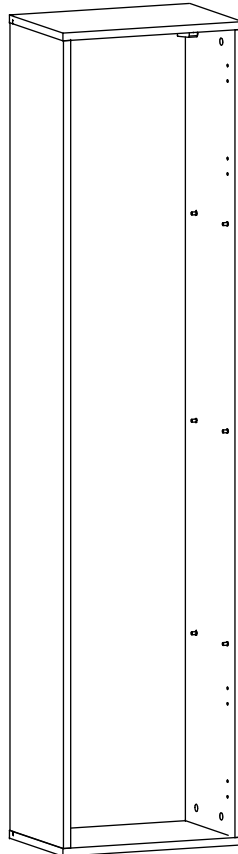
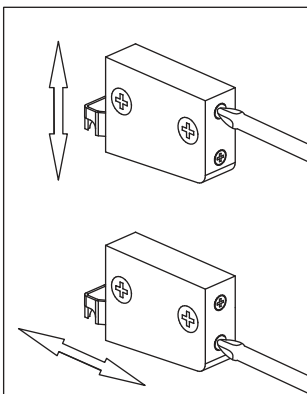
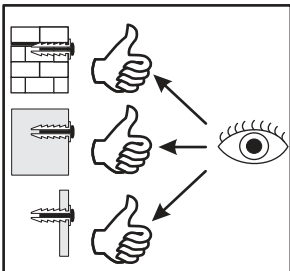
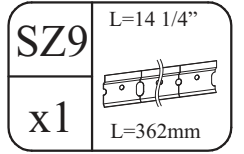
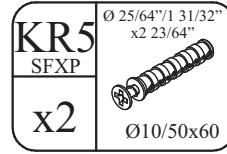
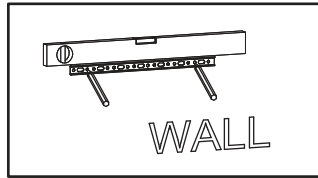
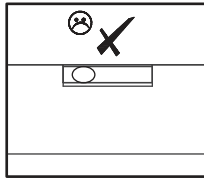
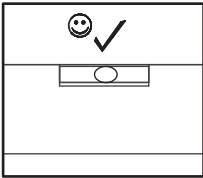


FLY 28--FY 40-C

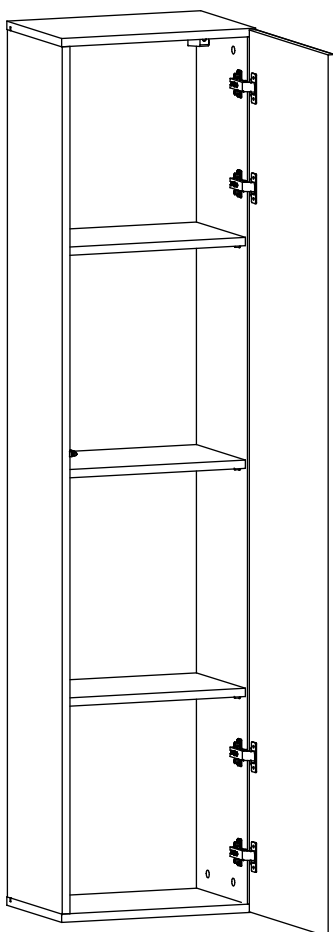
7



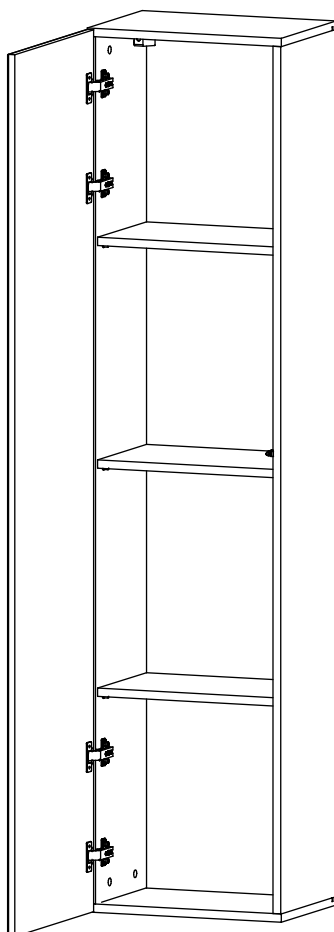
8



**9-10**

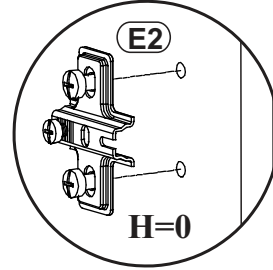
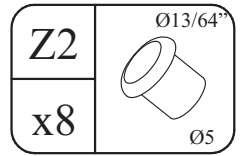
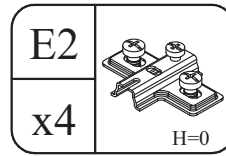
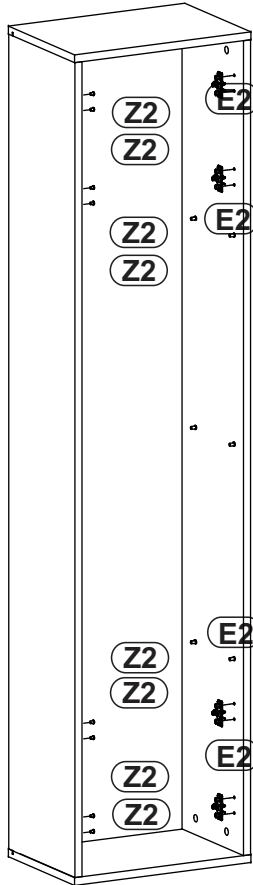
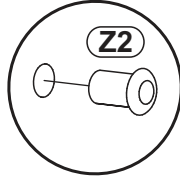
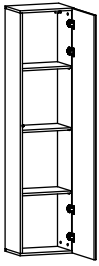


**11-12**

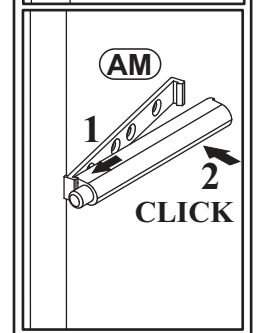
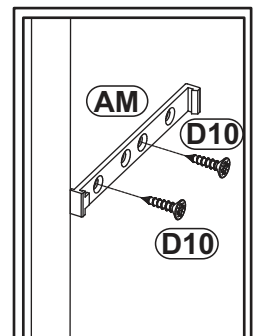
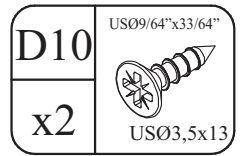
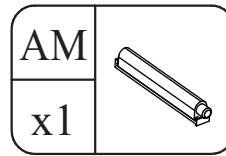
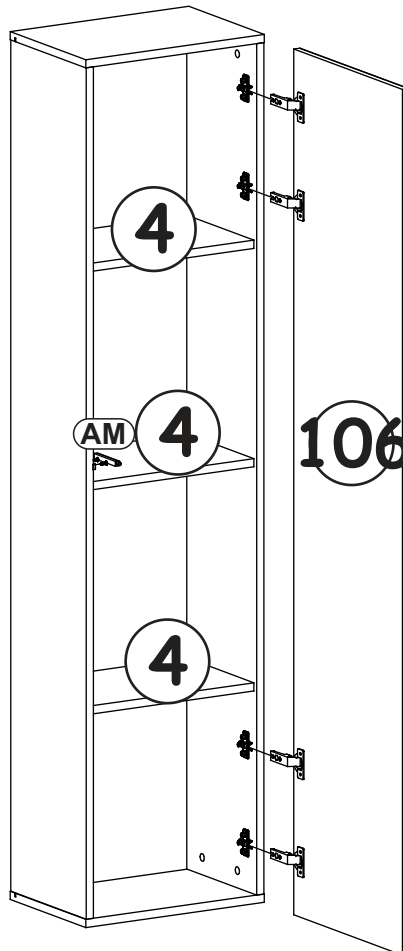
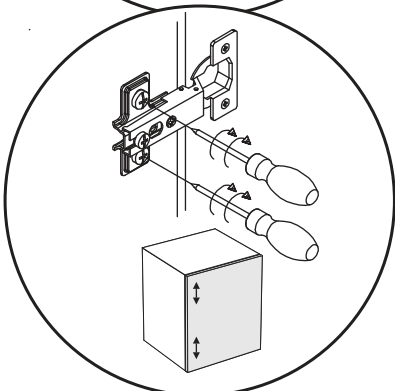
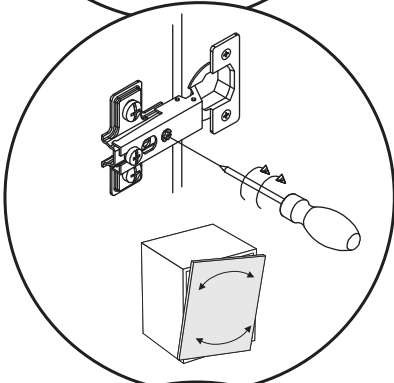
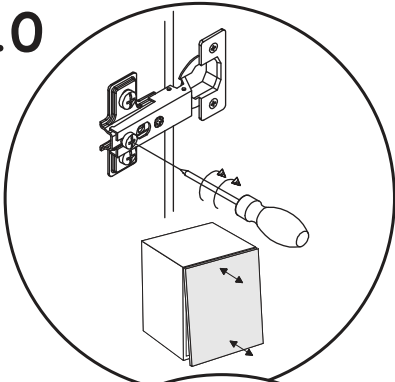




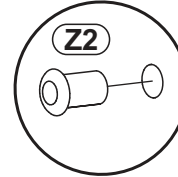
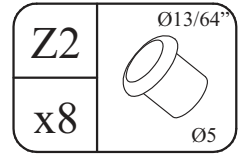
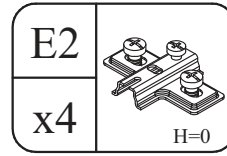
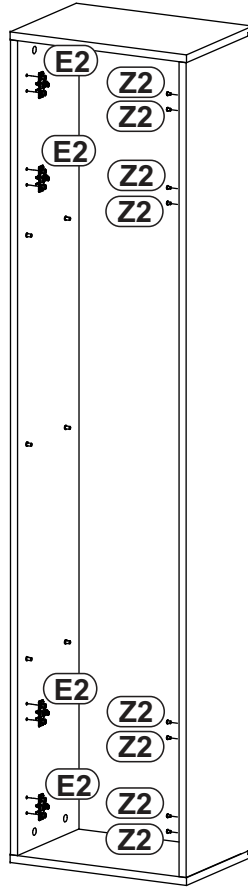
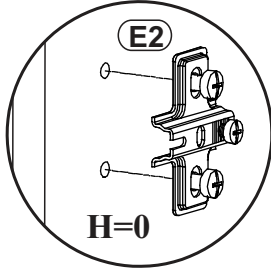
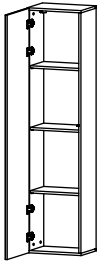
9



10



11



12

