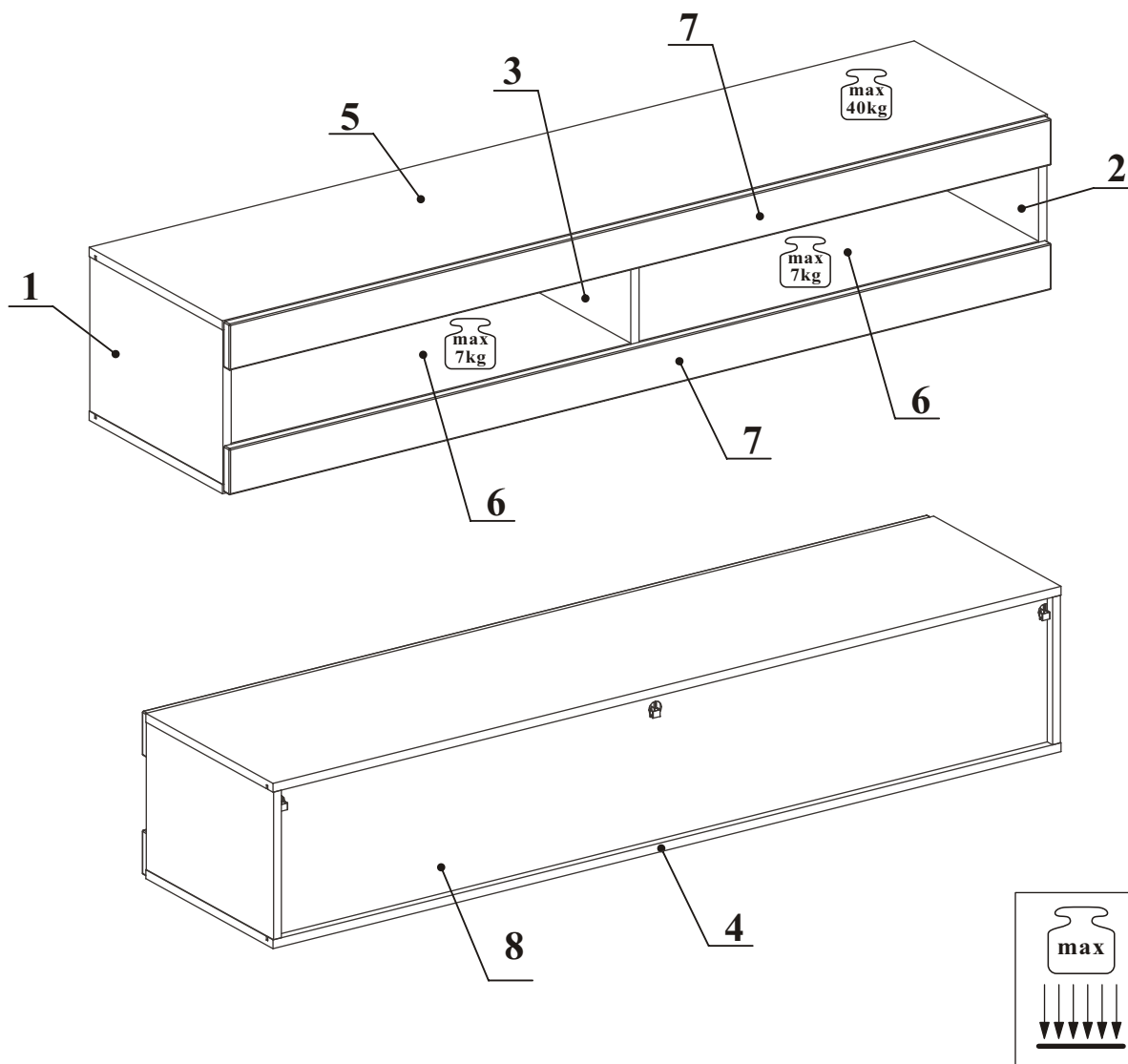
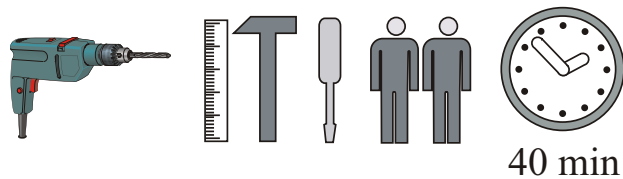


# FLY TYP-34

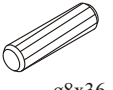
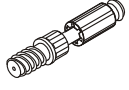


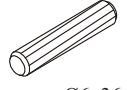

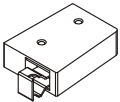
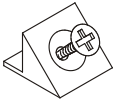


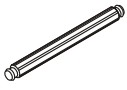


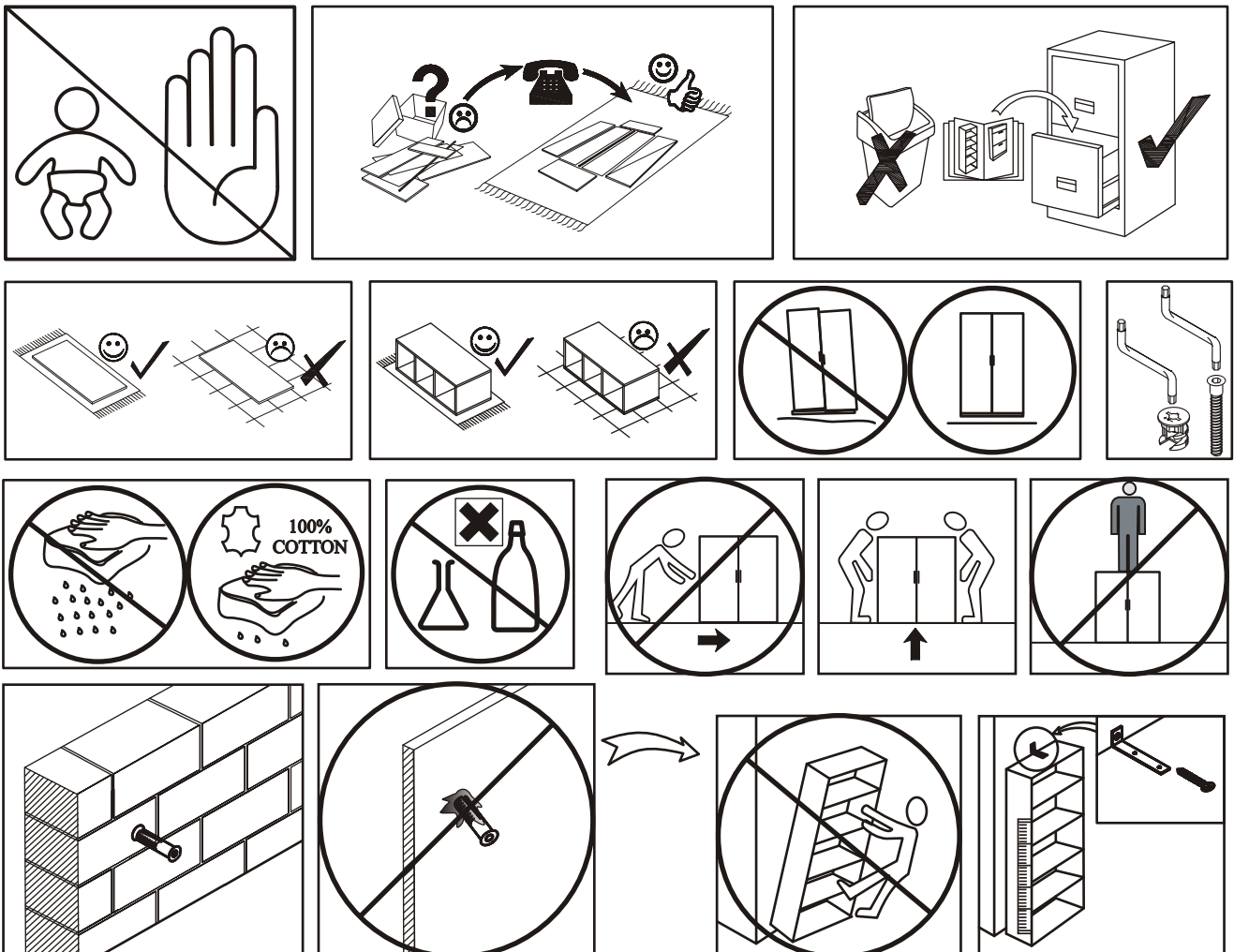
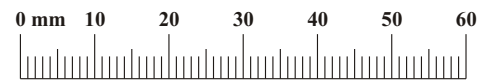
NO	Dim.		Col.-No	Qty
1	268	384	1	1
2	268	384	1	1
3	268	364	1	1
4	1602	384	1	1
5	1602	384	1	1
6	776	364	1	2
7	1596	80	1	2
8	1580	280	1	1



40 min

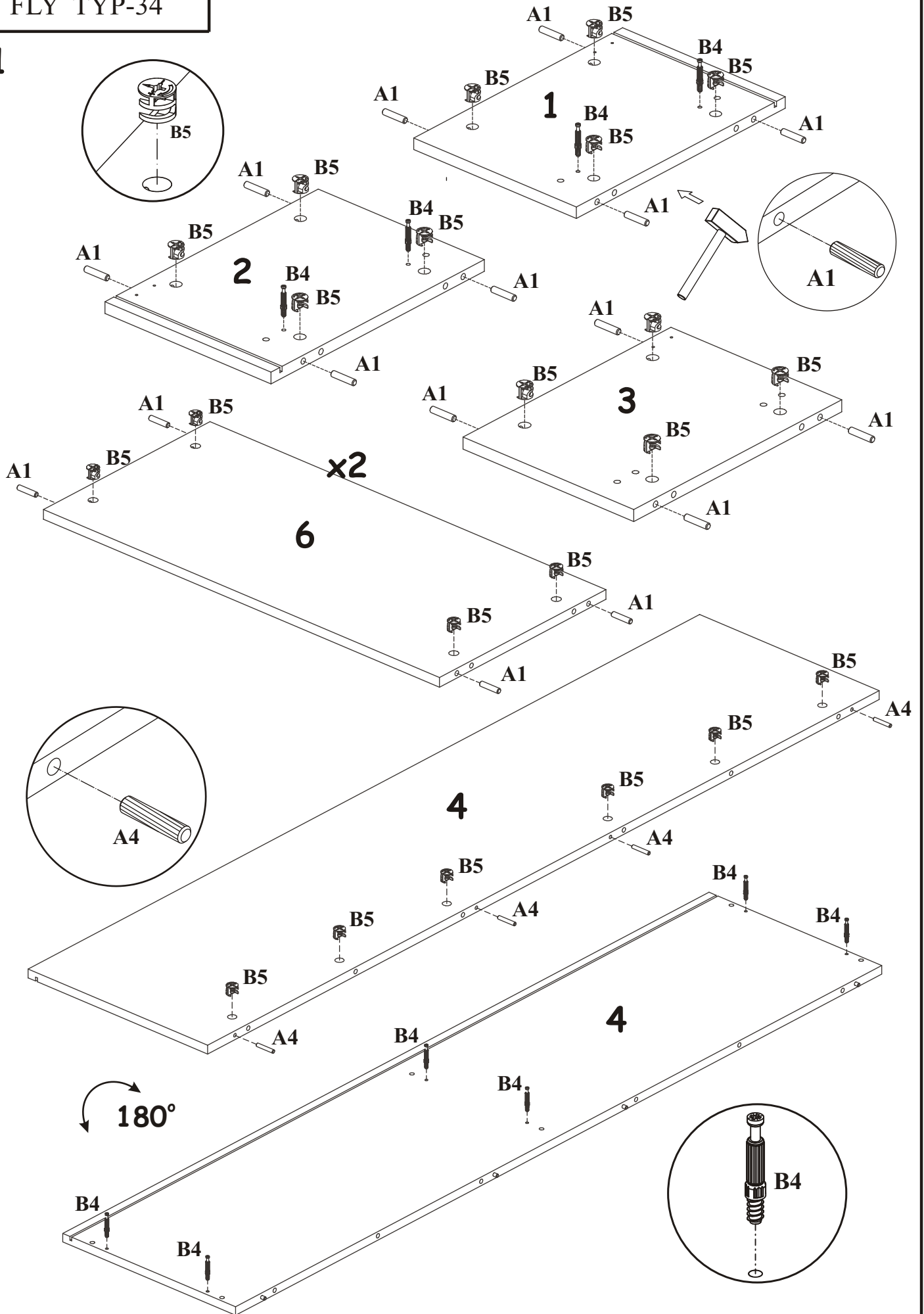
# FLY TYP-34

A1 X20  ø8x36	B4 X28 	B5 X32  ø15x12	G5 X32 	A4 X8  Ø6x36	G2 X1 
ZR1 X3 	S1 X10 	KR2 X3 	D6 X6  USØ3,5x30	B6 X2  Ø7x78	

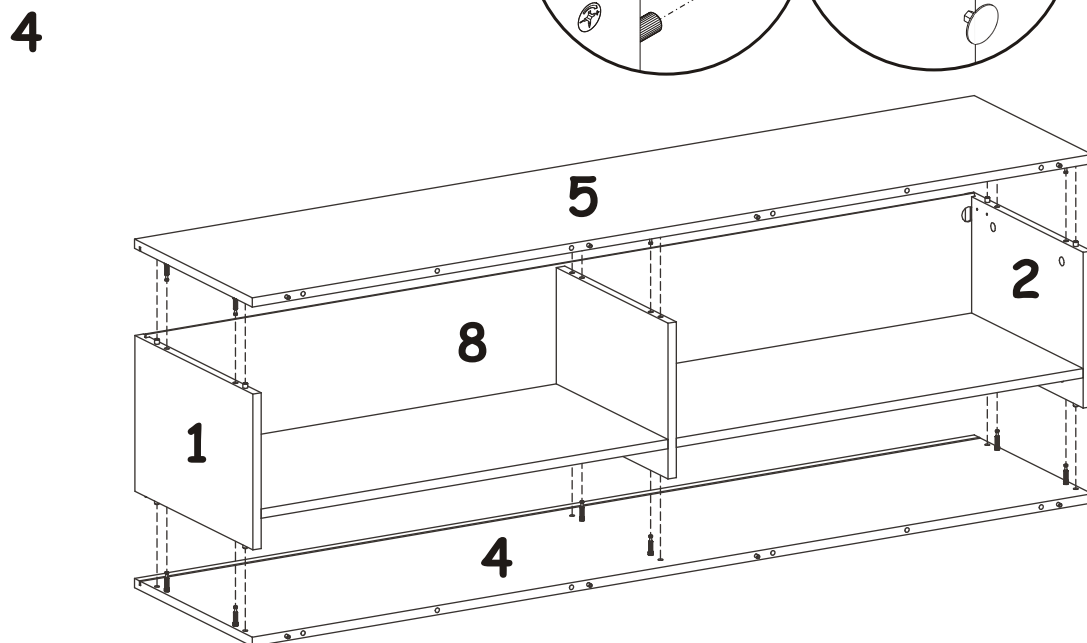
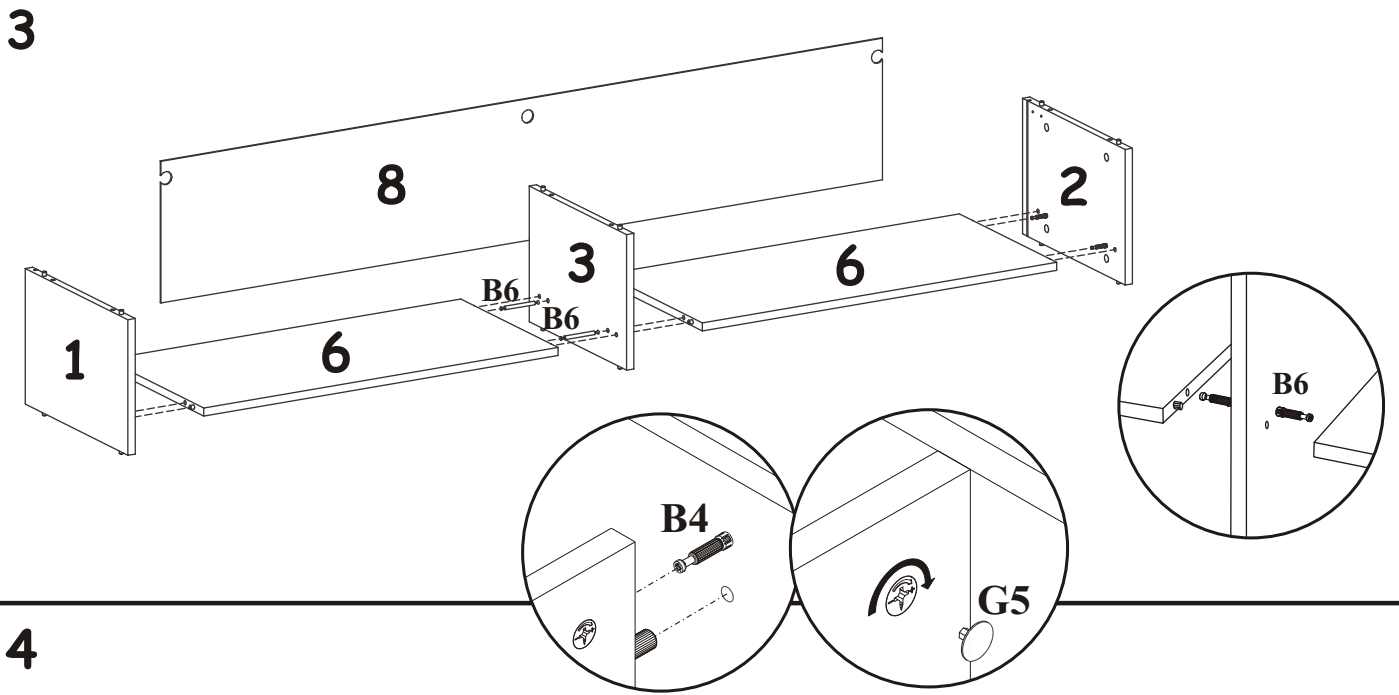
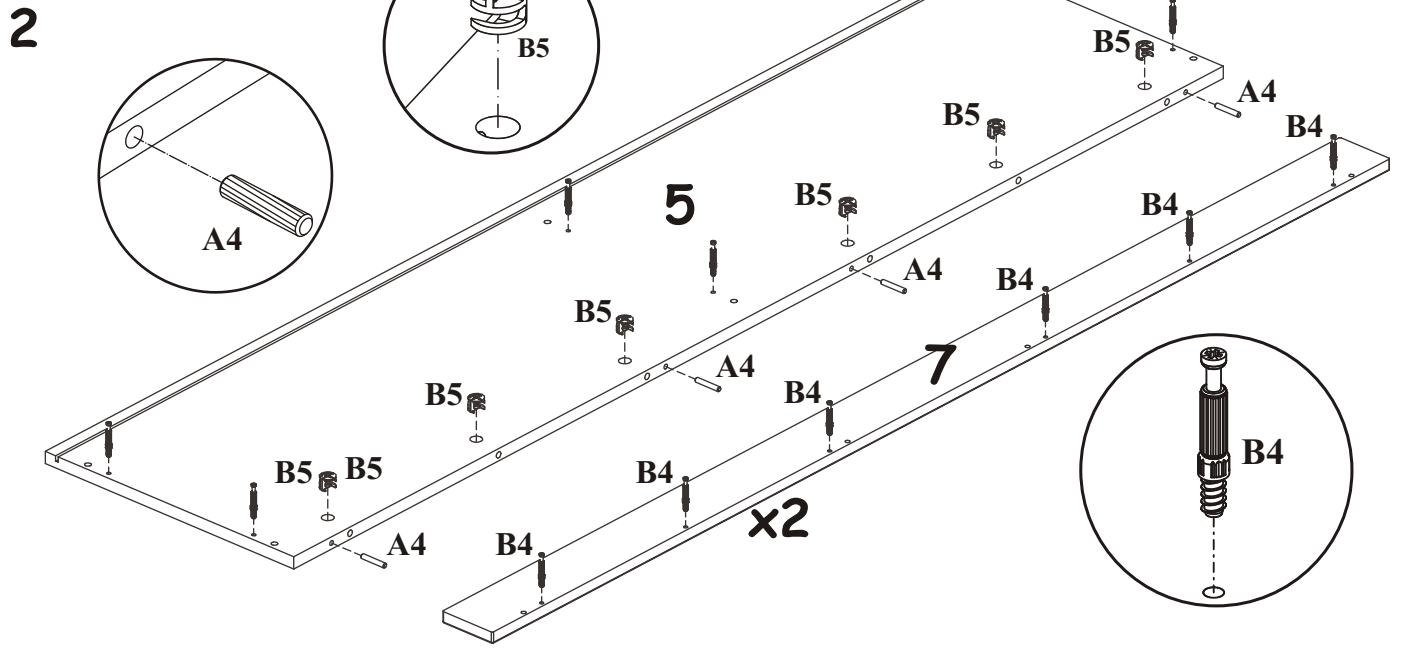


# FLY TYP-34

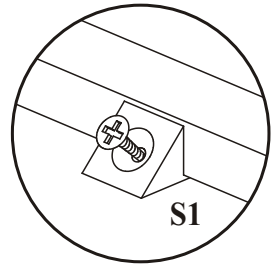
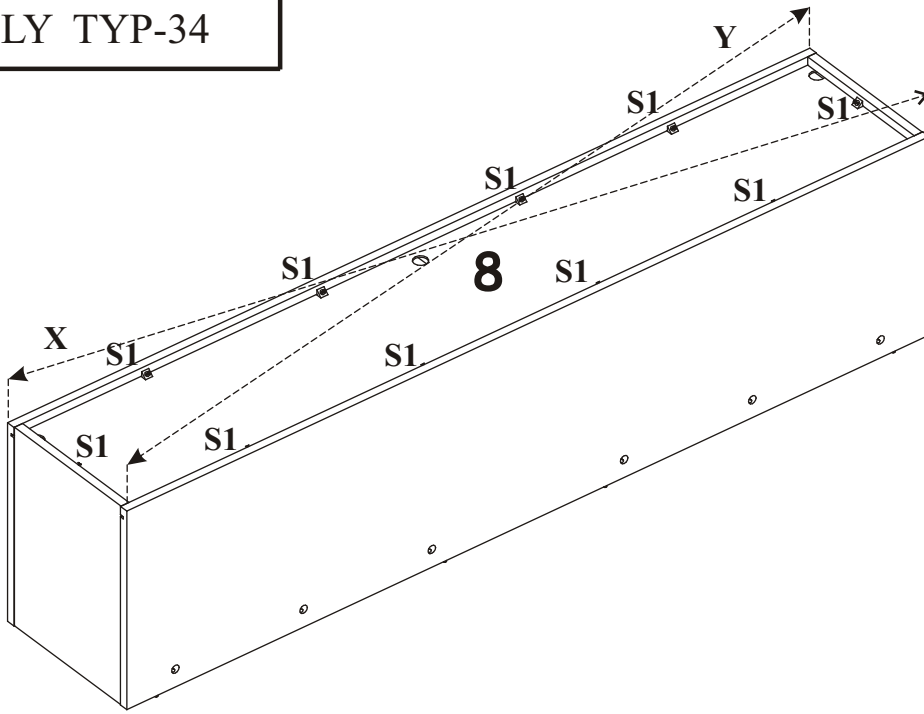
1



FLY TYP-34

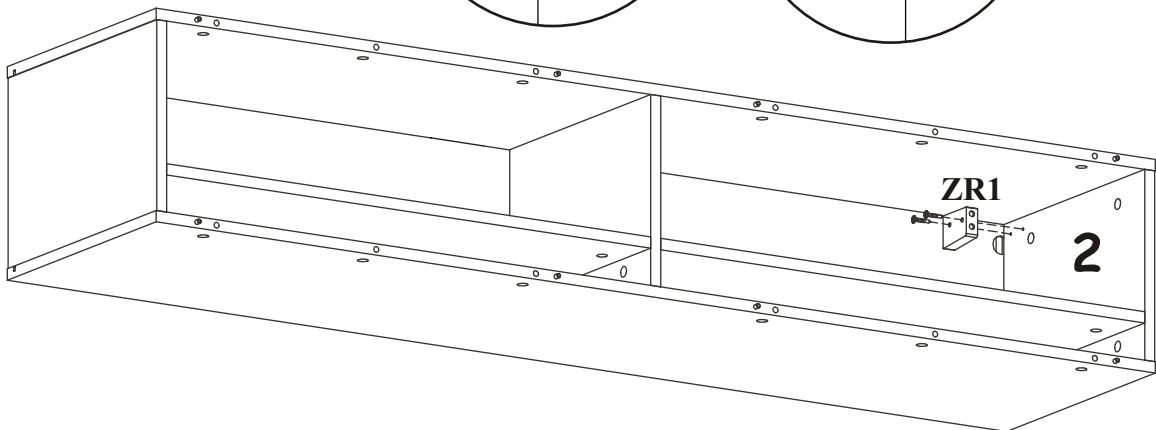
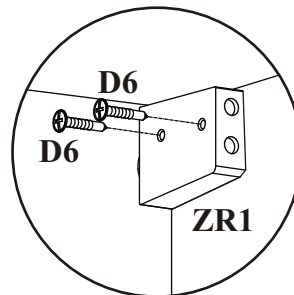
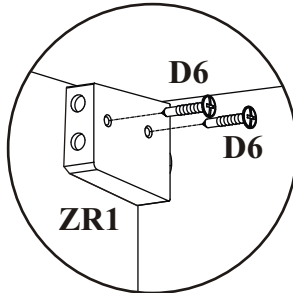
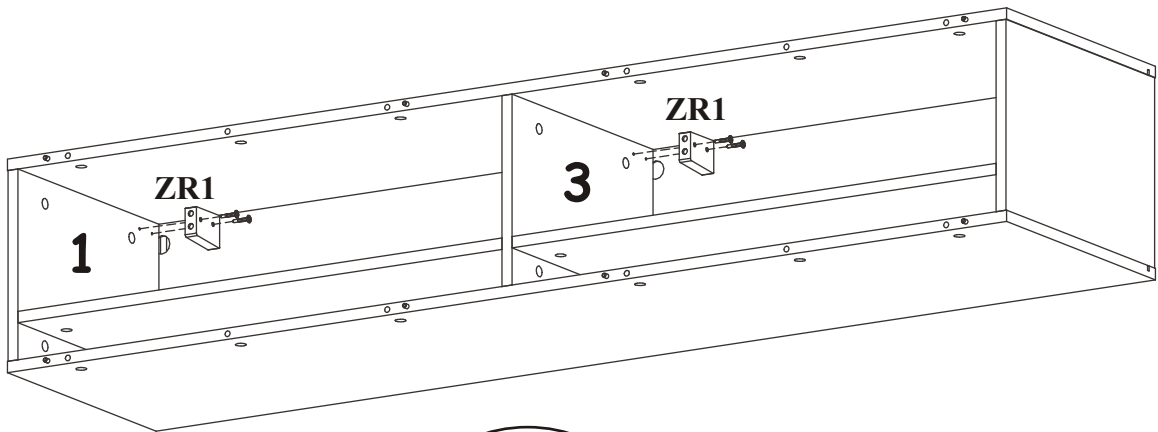


5

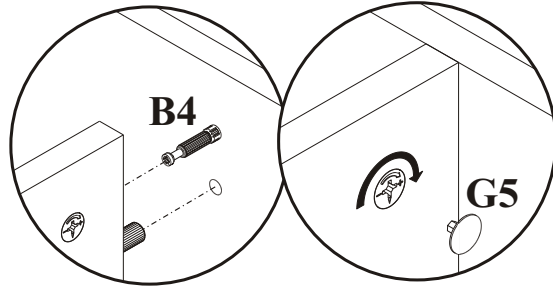
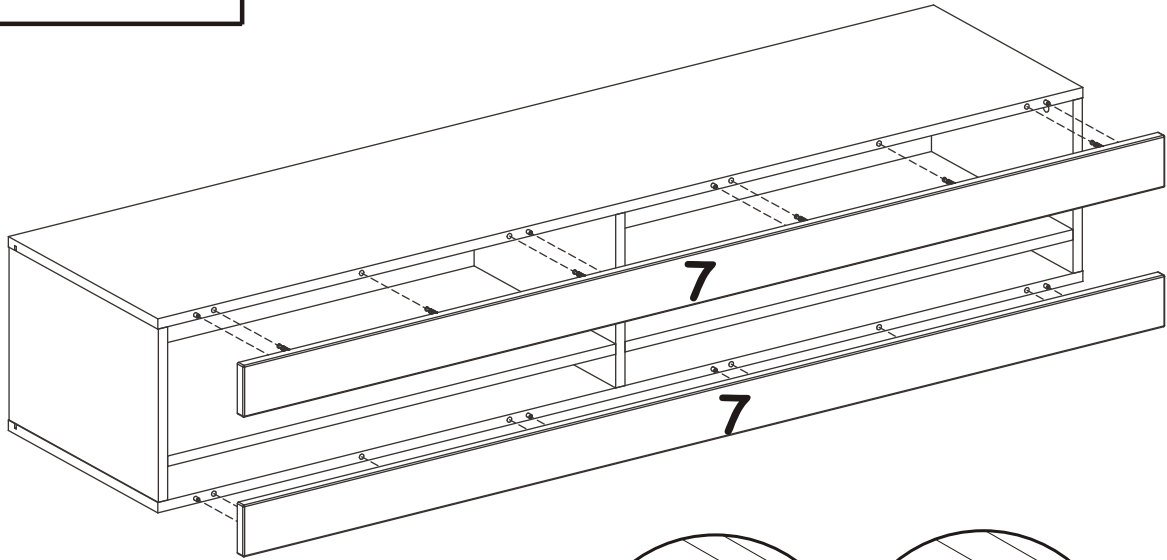


$X=Y$   $\uparrow$   $90^\circ$

6



7



8

