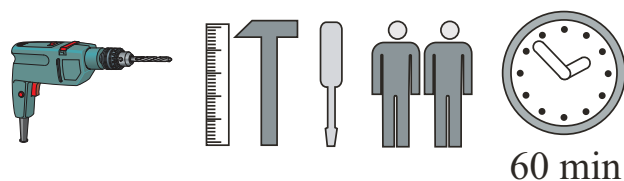
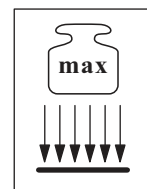
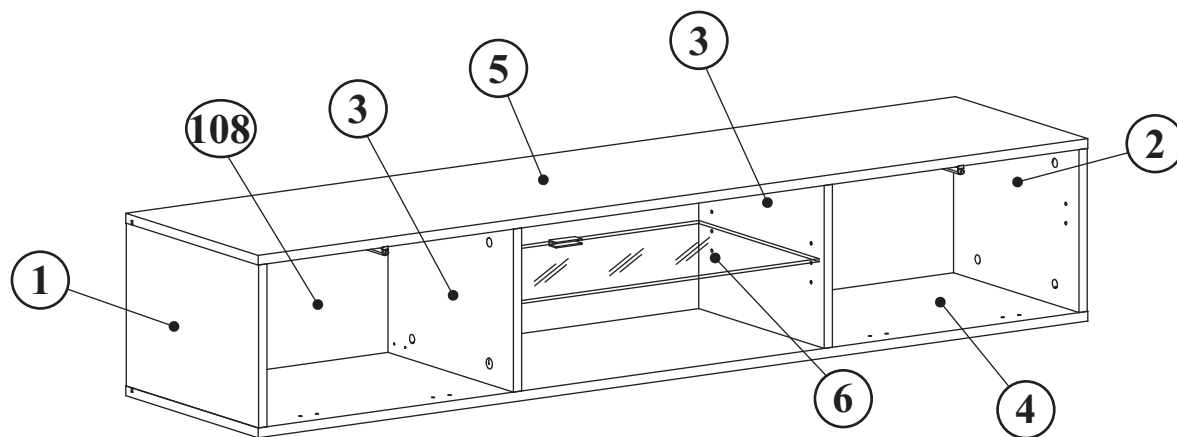
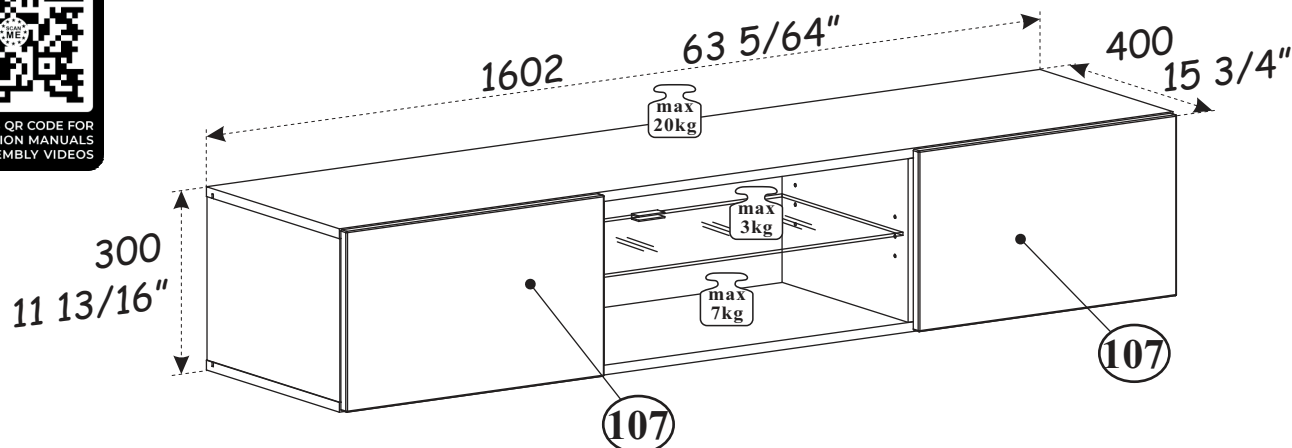
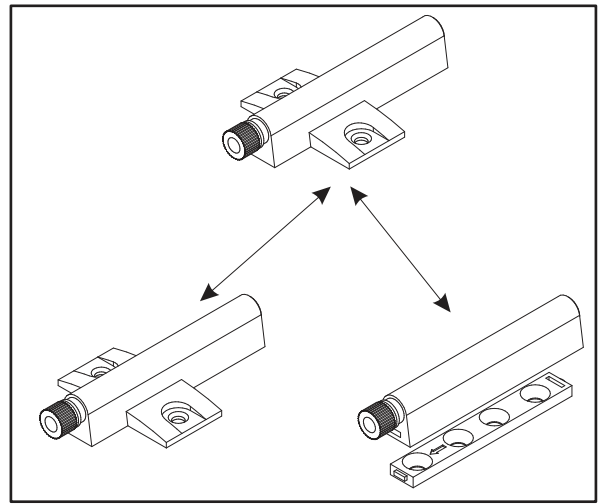
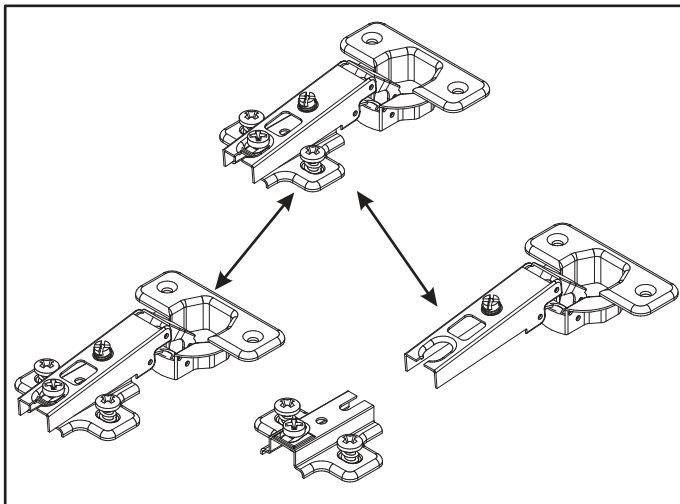
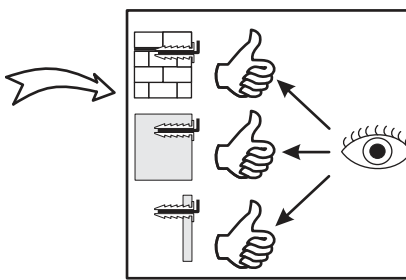
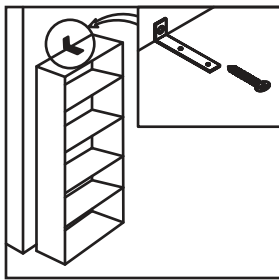
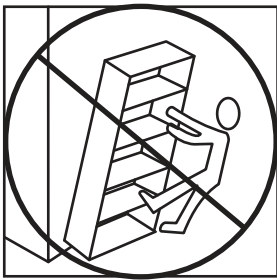
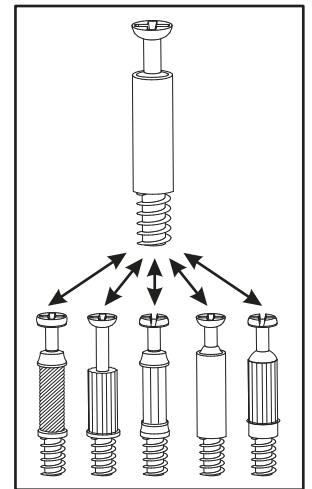
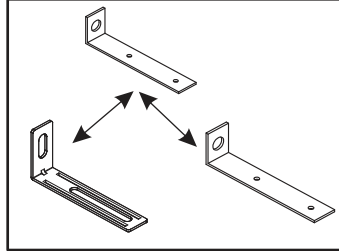
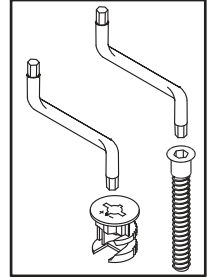
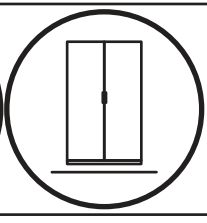
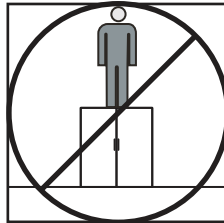
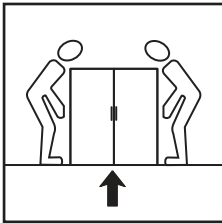
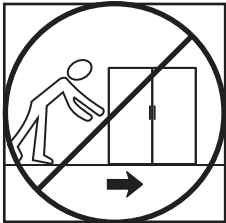
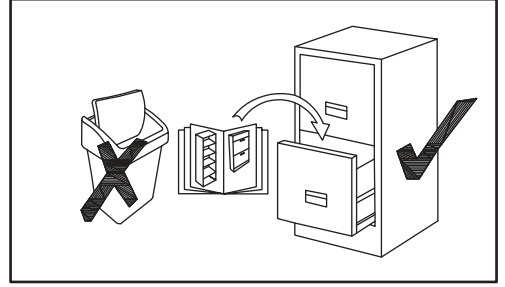
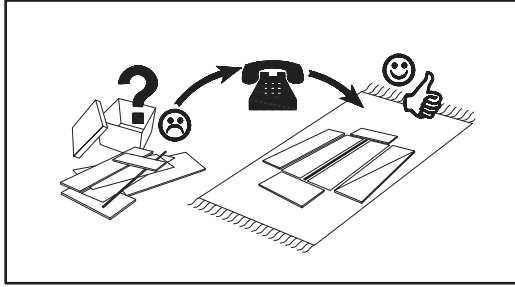
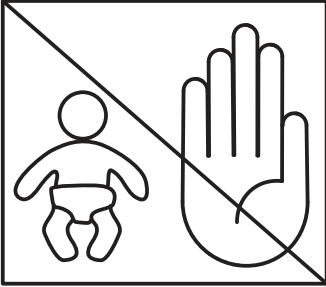
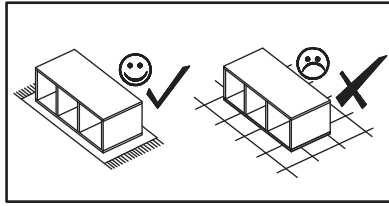
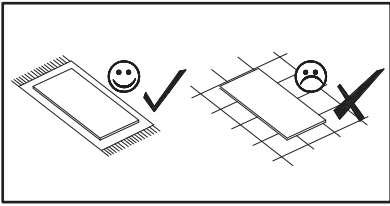


# FLY 28 -- FY 33-C



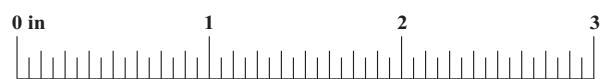
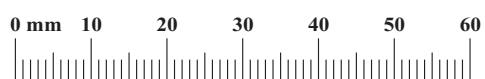
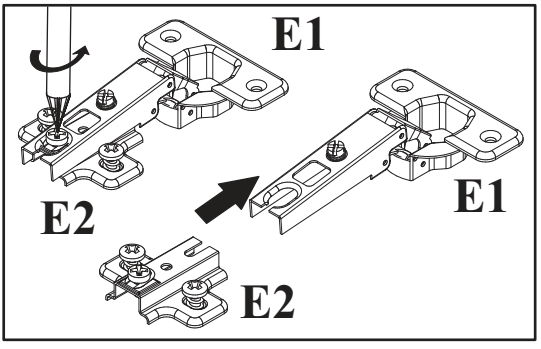
NO	Dim.			Col.-No	Qty
1	268	384	16	1	1
2	268	384	16	1	1
4	1602	384	16	1	1
5	1602	384	16	1	1
3	268	364	16	1	2
6	582	349	5	1	1
108	1580	280	3	1	1
107	496	296	16	1	2

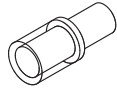
NO	Dim.			Col.-No	Qty
1	10 35/64	15 1/8	5/8	1	1
2	10 35/64	15 1/8	5/8	1	1
4	63 5/64	15 1/8	5/8	1	1
5	63 5/64	15 1/8	5/8	1	1
3	10 35/64	14 21/64	5/8	1	2
6	22 29/32	13 47/64	13/64	1	1
108	62 13/64	11 1/32	1/8	1	1
107	19 17/32	11 21/32	5/8	1	2

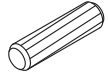


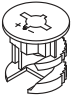
FLY 28--FY 33-C

A1 x16	Ø5/16"x1 27/64" ø8x36	B4 x16		B5 x16	Ø19/32"x15/32" ø15x12	G5 x16		G20 x4		ZR1 x4	
E2 x4	 H=0	E1 x4	Ø1 1/32" Ø26 H=0	S1 x12		G21 x2		AM X2		KR5 SFXP x4	Ø 25/64"/1 31/32" x2 23/64" Ø10/50x60
SZ9 x1	L=61 37/64" L=1564mm	D6 x8	USØ9/64"x1 3/16" USØ3,5x30	D7 x6	USØ1/8"x5/8" USØ3x16	D10 x16	USØ9/64"x33/64" USØ3,5x13	LZ3 x1		LED x1	
G2 x1											

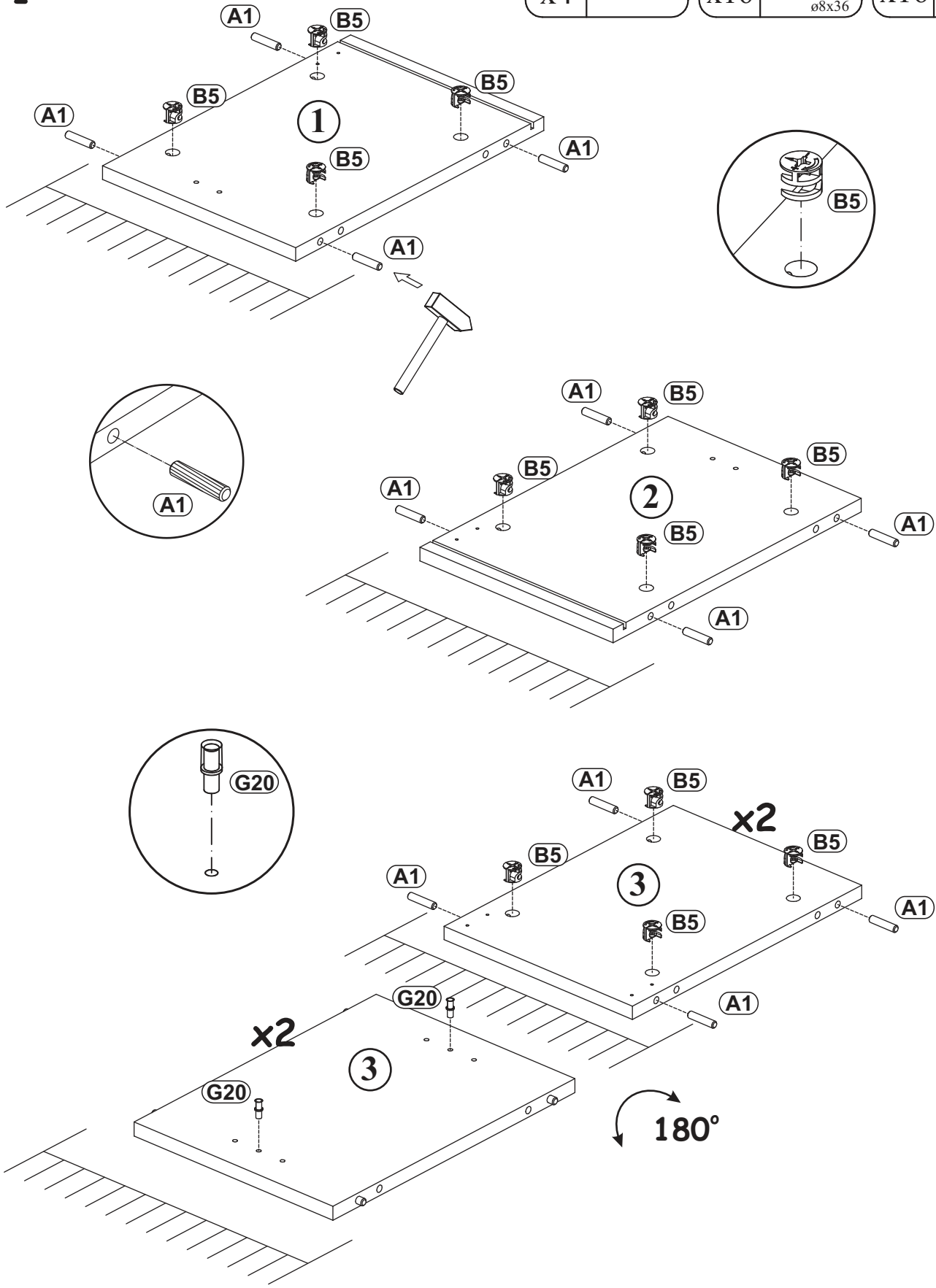


G20	
x4	

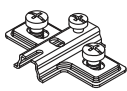
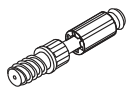
A1	$\text{Ø}5/16'' \times 1.27/64''$
x16	 $\text{Ø}8 \times 36$

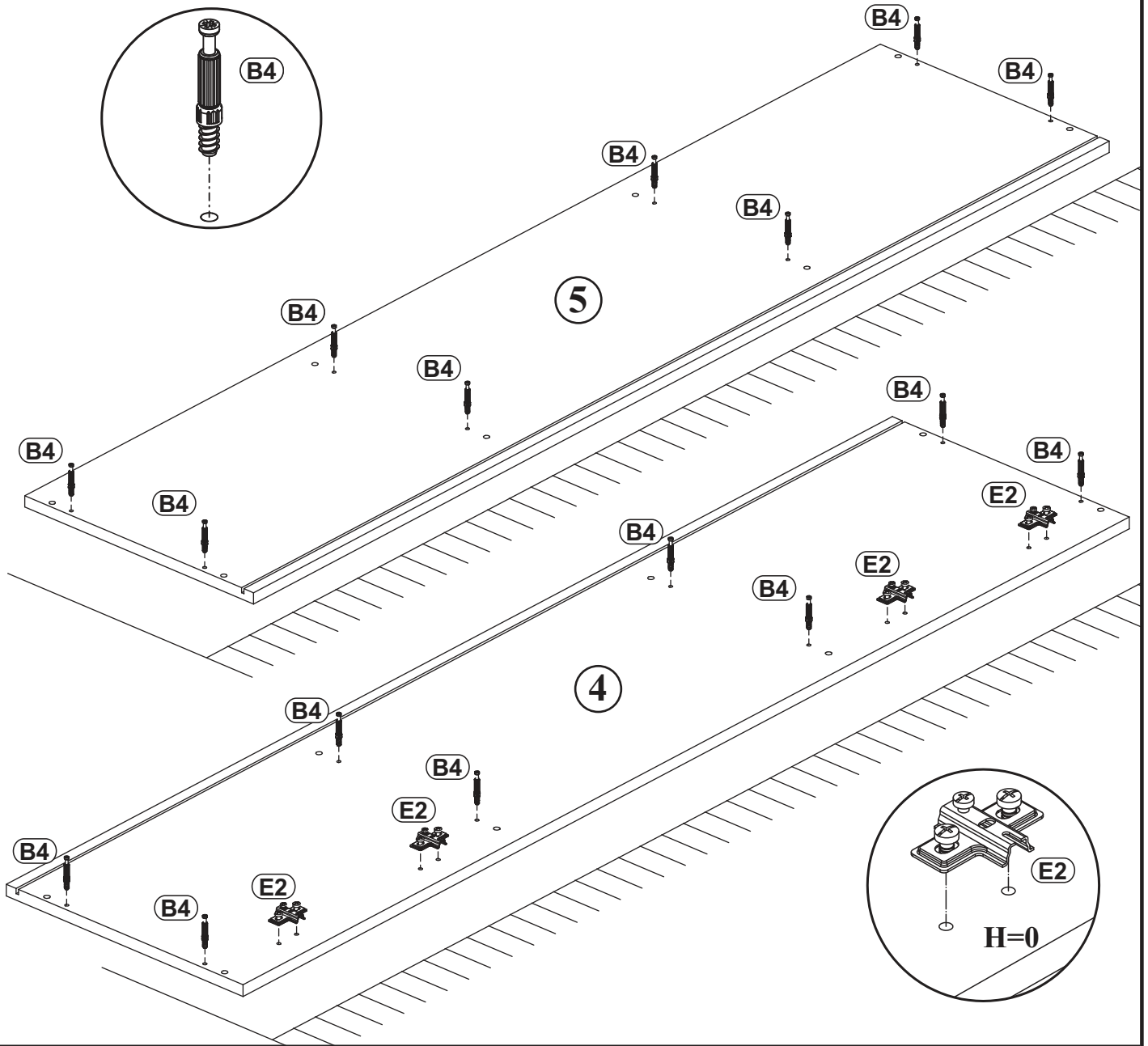
B5	$\text{Ø}19/32'' \times 15/32''$
x16	 $\text{Ø}15 \times 12$

1



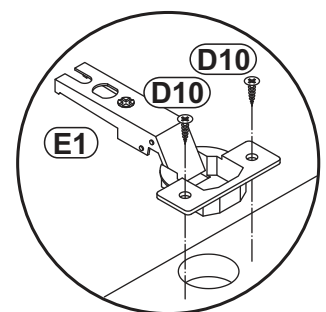
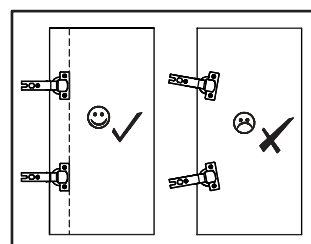
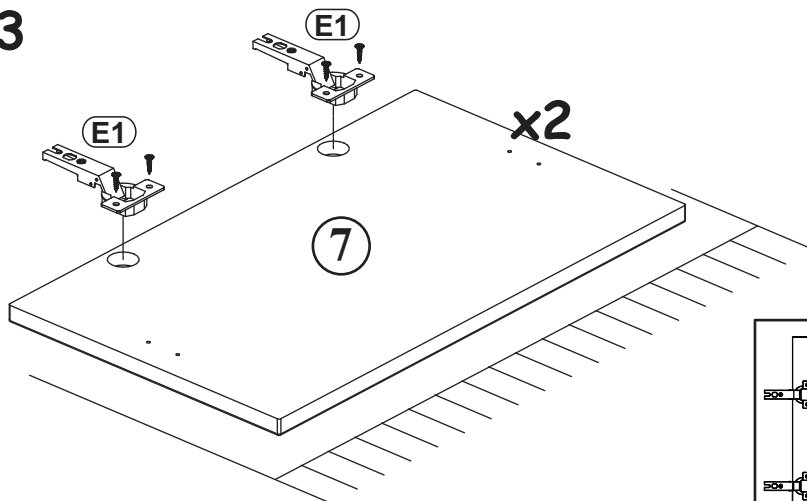
2

E2		B4	
x4	H=0	x16	



3

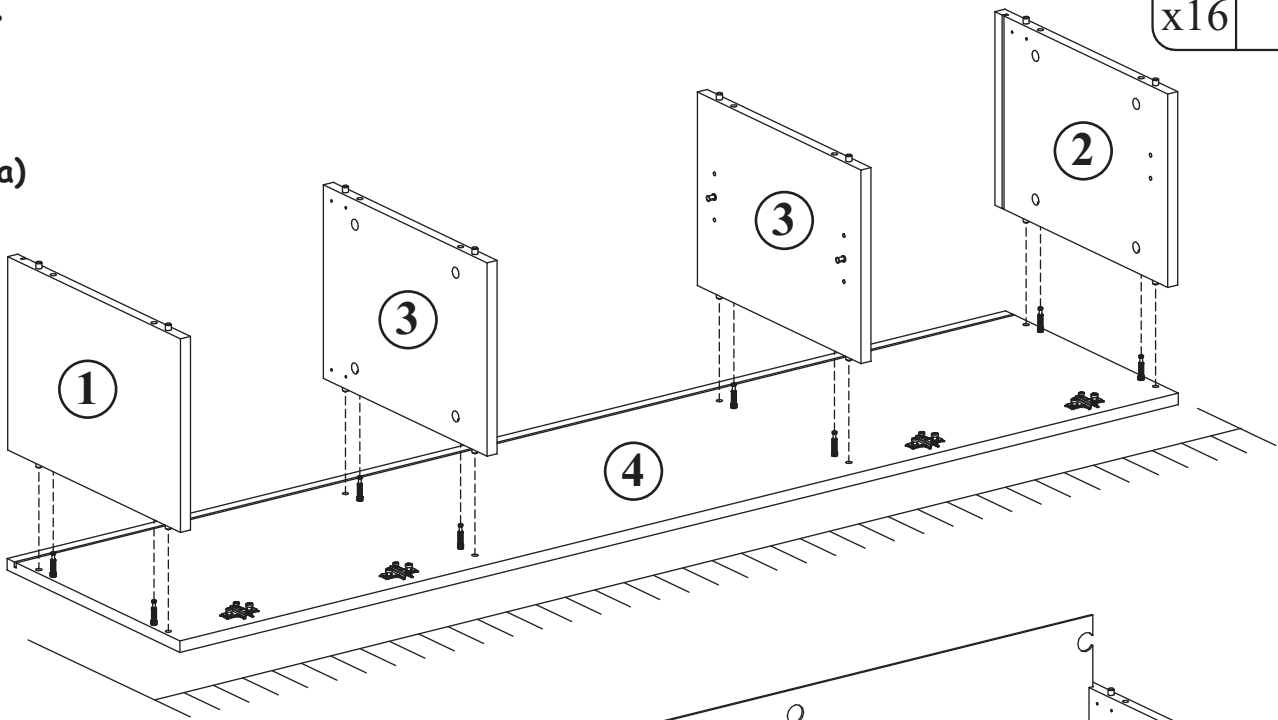
D10	US09/64"x33/64"	E1	Ø1 1/32"
x8	USØ3,5x13	x4	Ø26 H=0



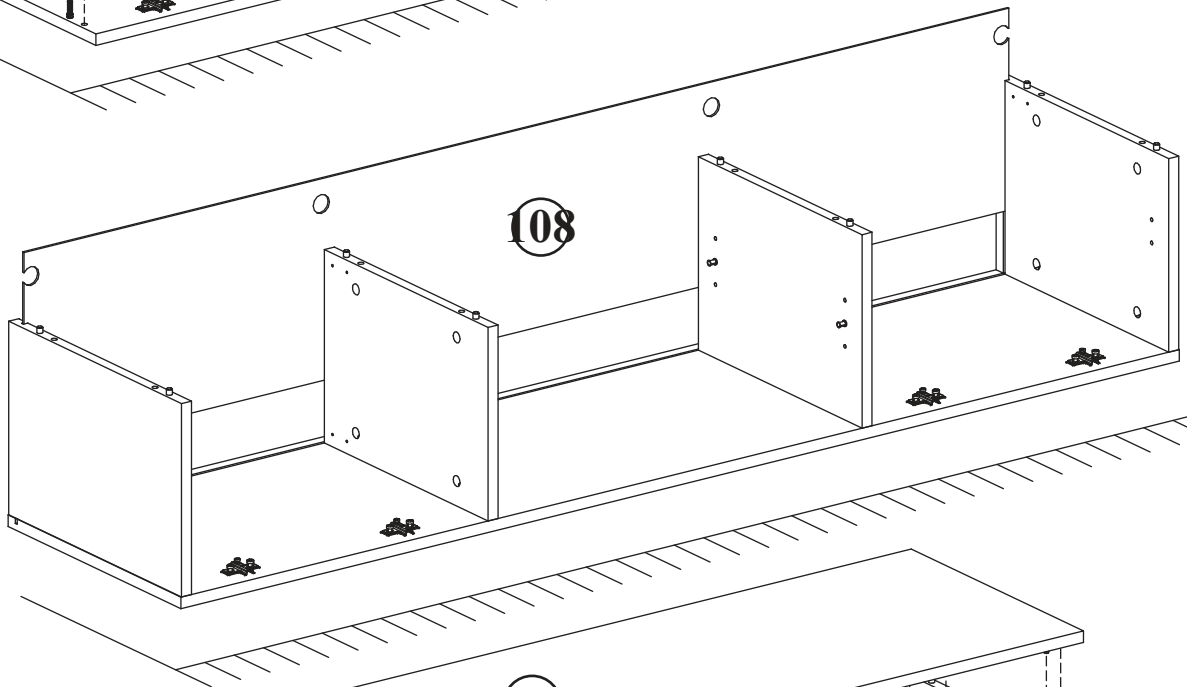


4

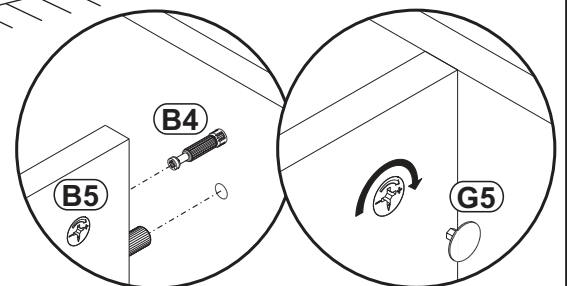
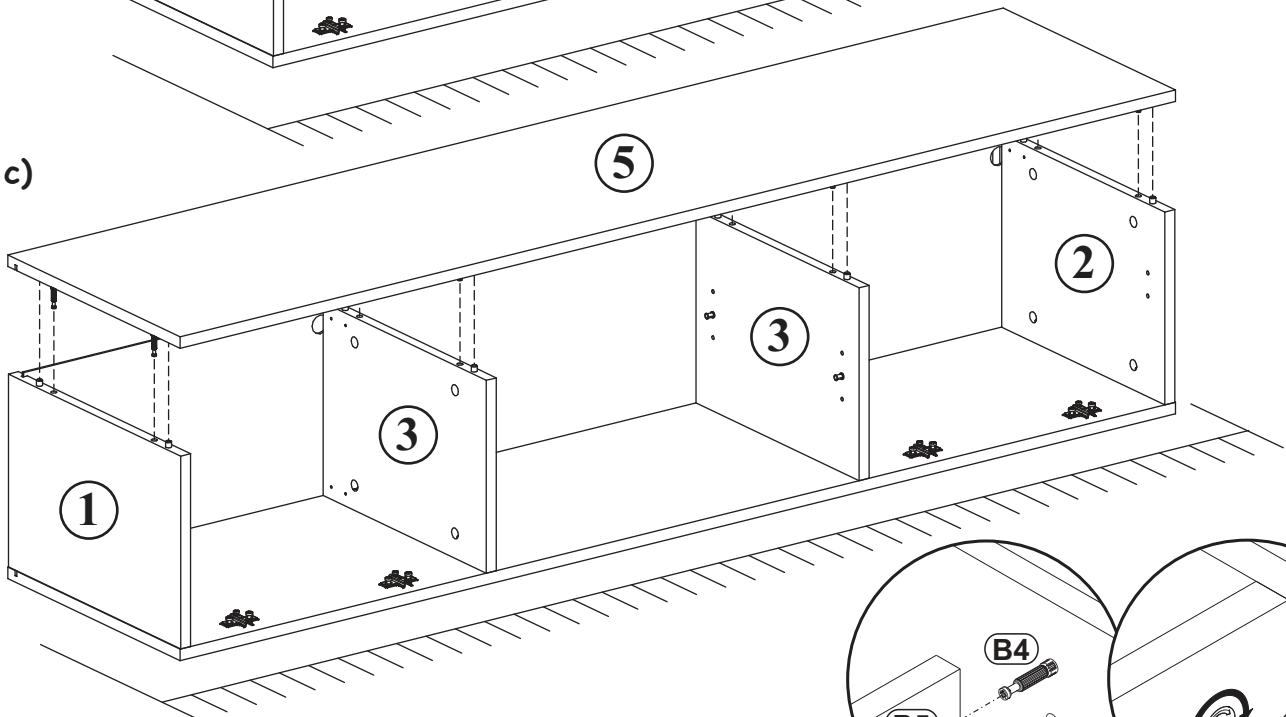
a)



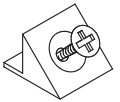
b)



c)

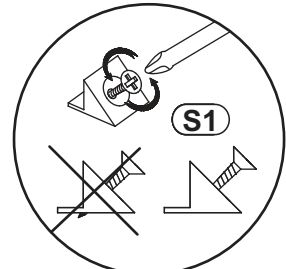
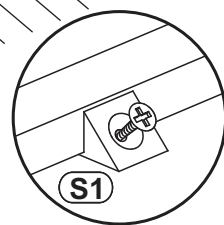
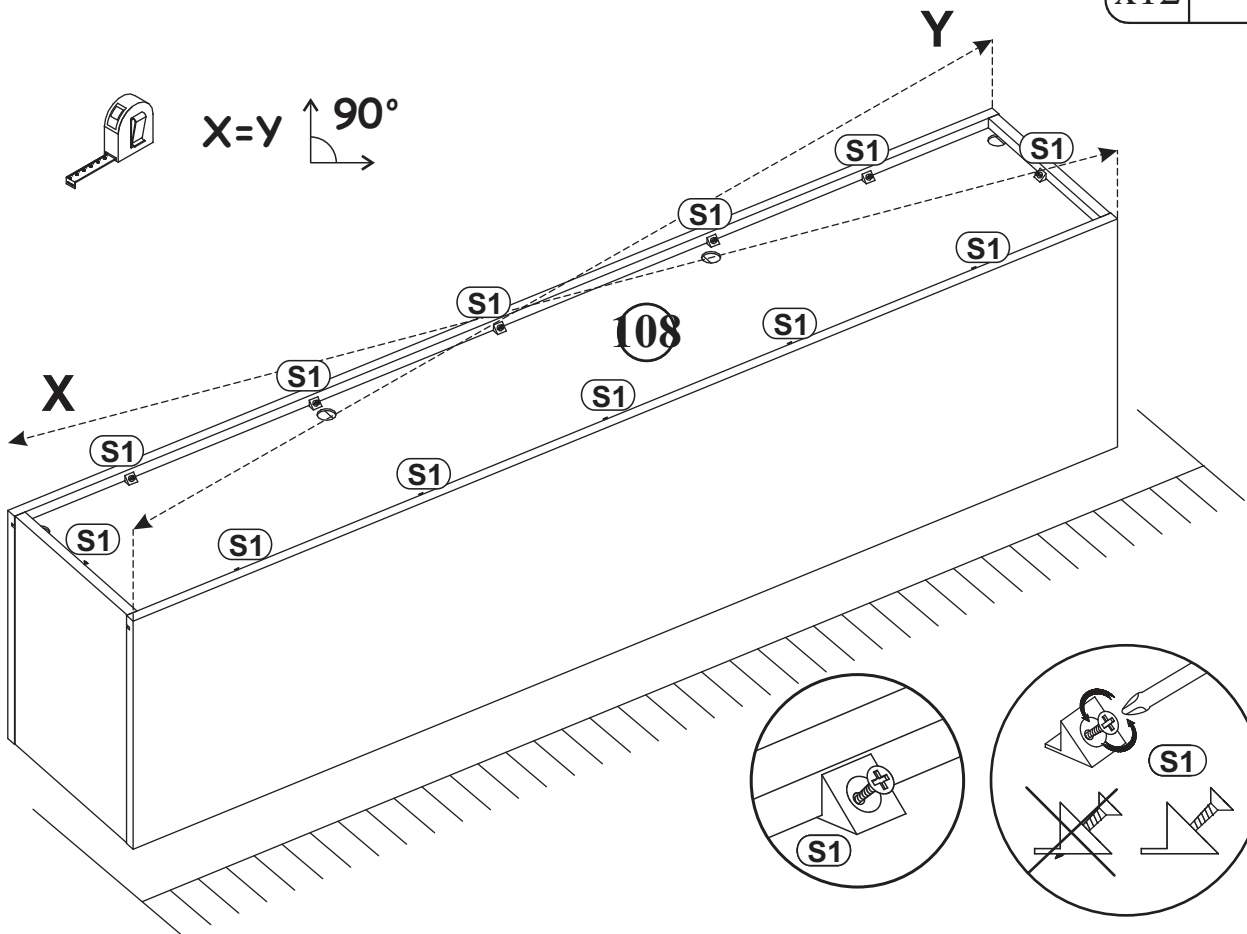


5

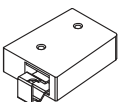
S1	
x12	



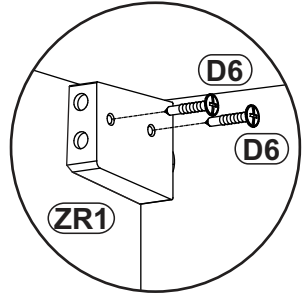
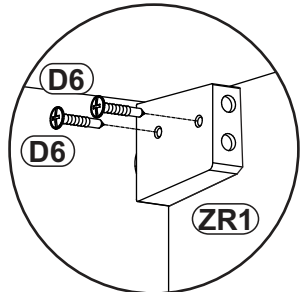
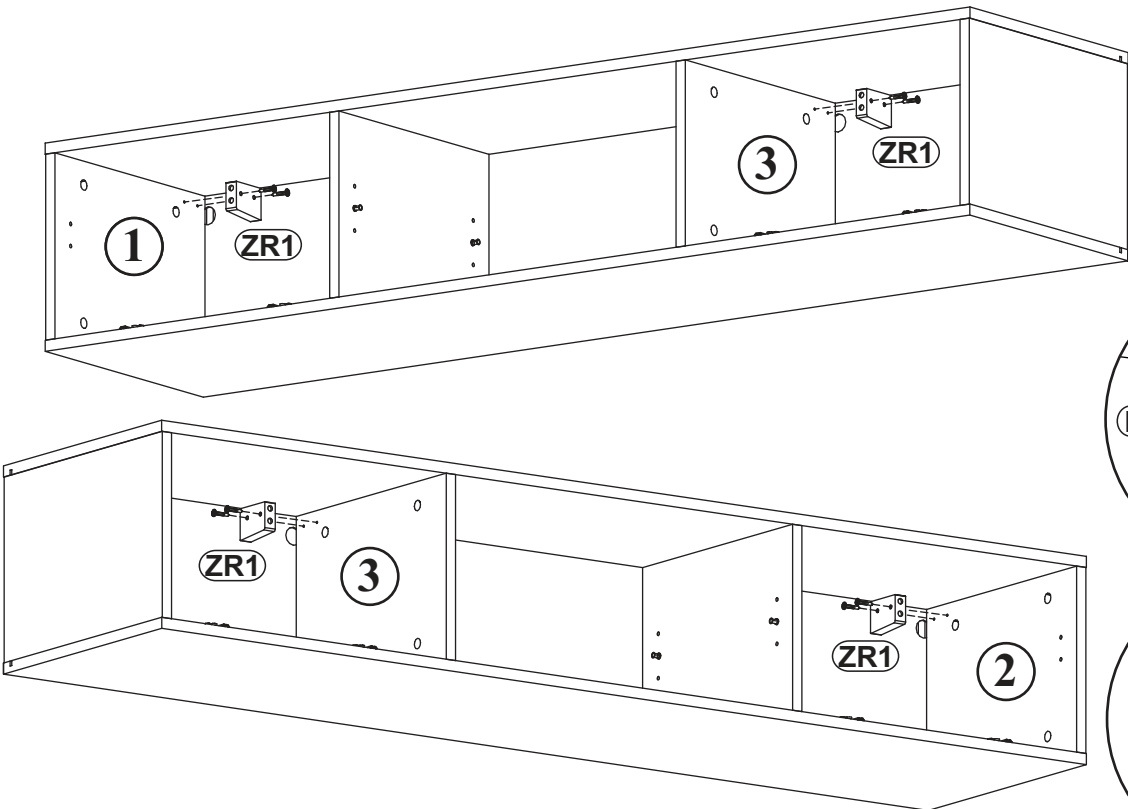
$X=Y$   $90^\circ$



6

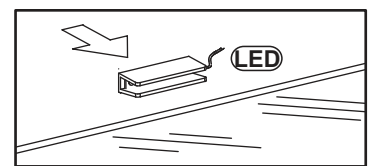
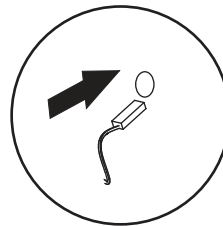
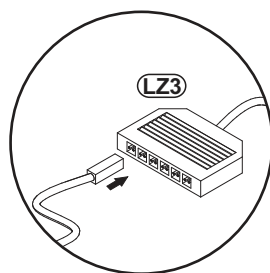
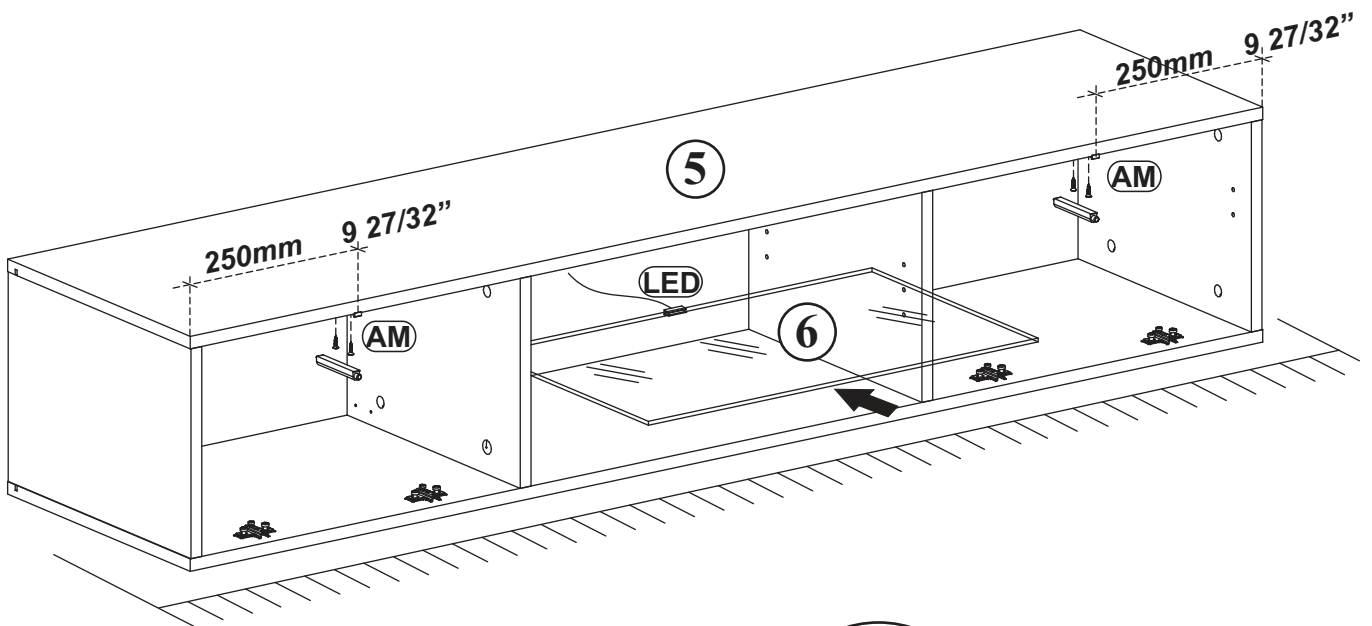
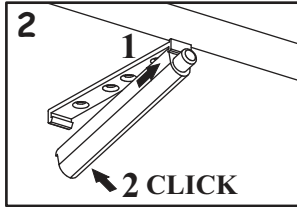
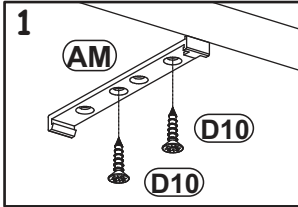
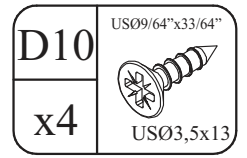
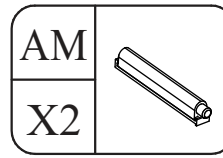
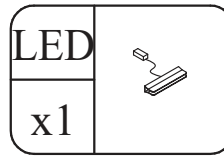
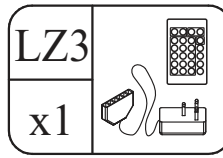
ZR1	
x4	

D6	US09/64"x1 3/16"
x8	US03,5x30



FLY 28--FY 33-C

7



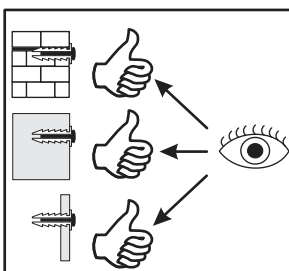
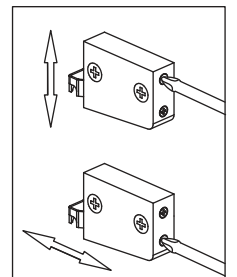
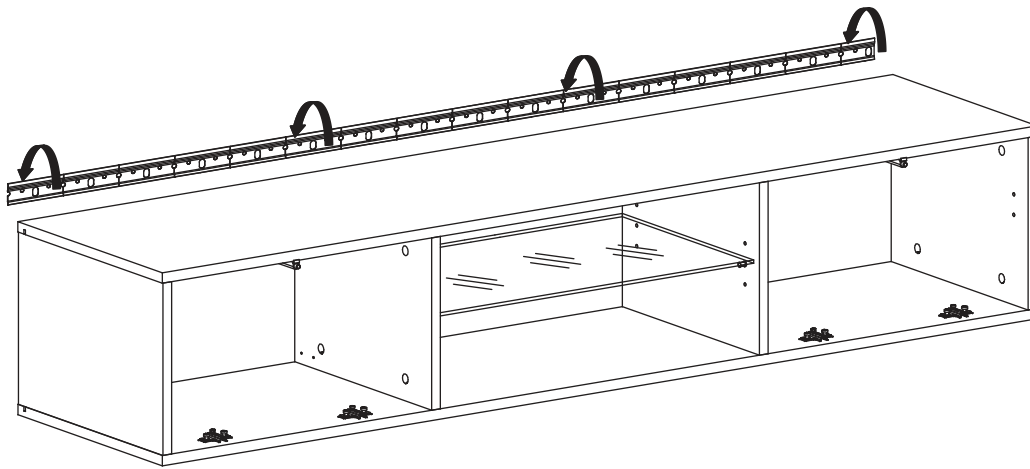
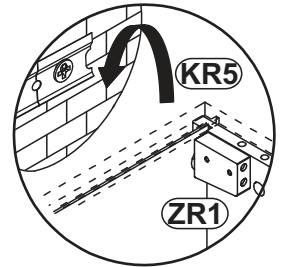
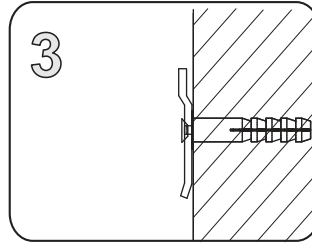
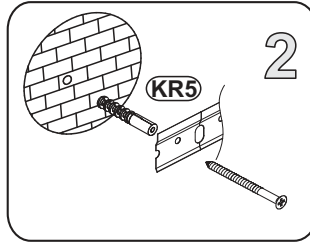
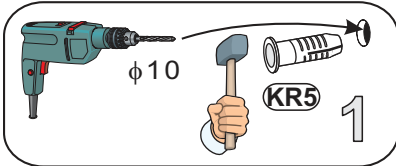
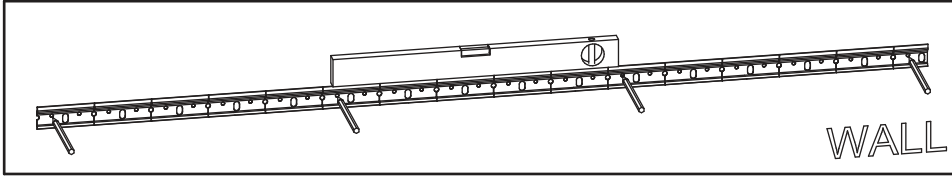
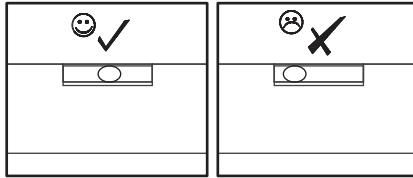


FLY 28--FY 33-C

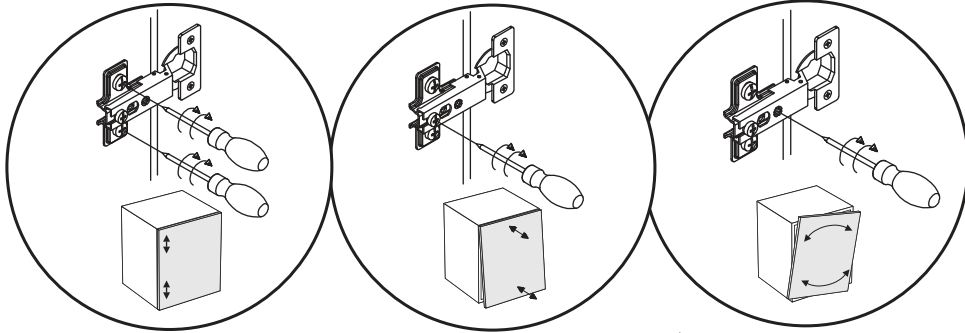
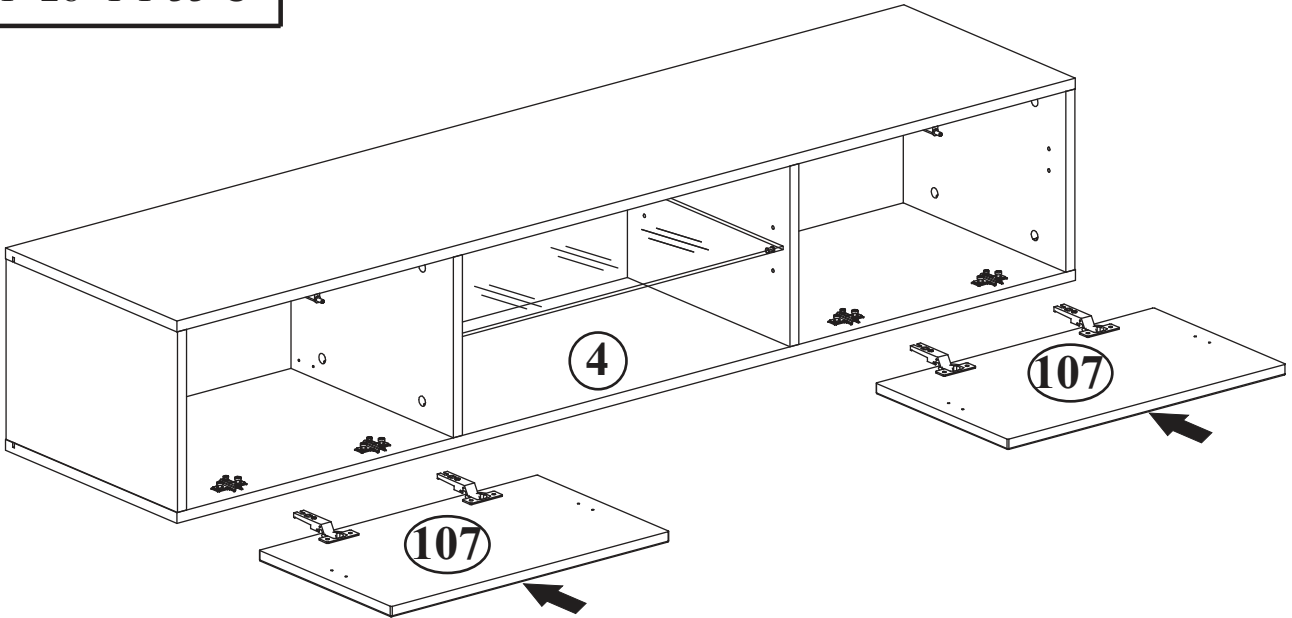
KR5  
SFXP  
x4  
Ø 25/64"/1 31/32"  
x2 23/64"  
Ø10/50x60

SZ9  
L=61 37/64"  
x1  
L=1564mm

8



9



10

