

EVEL

EVEL03

OP-81, 82

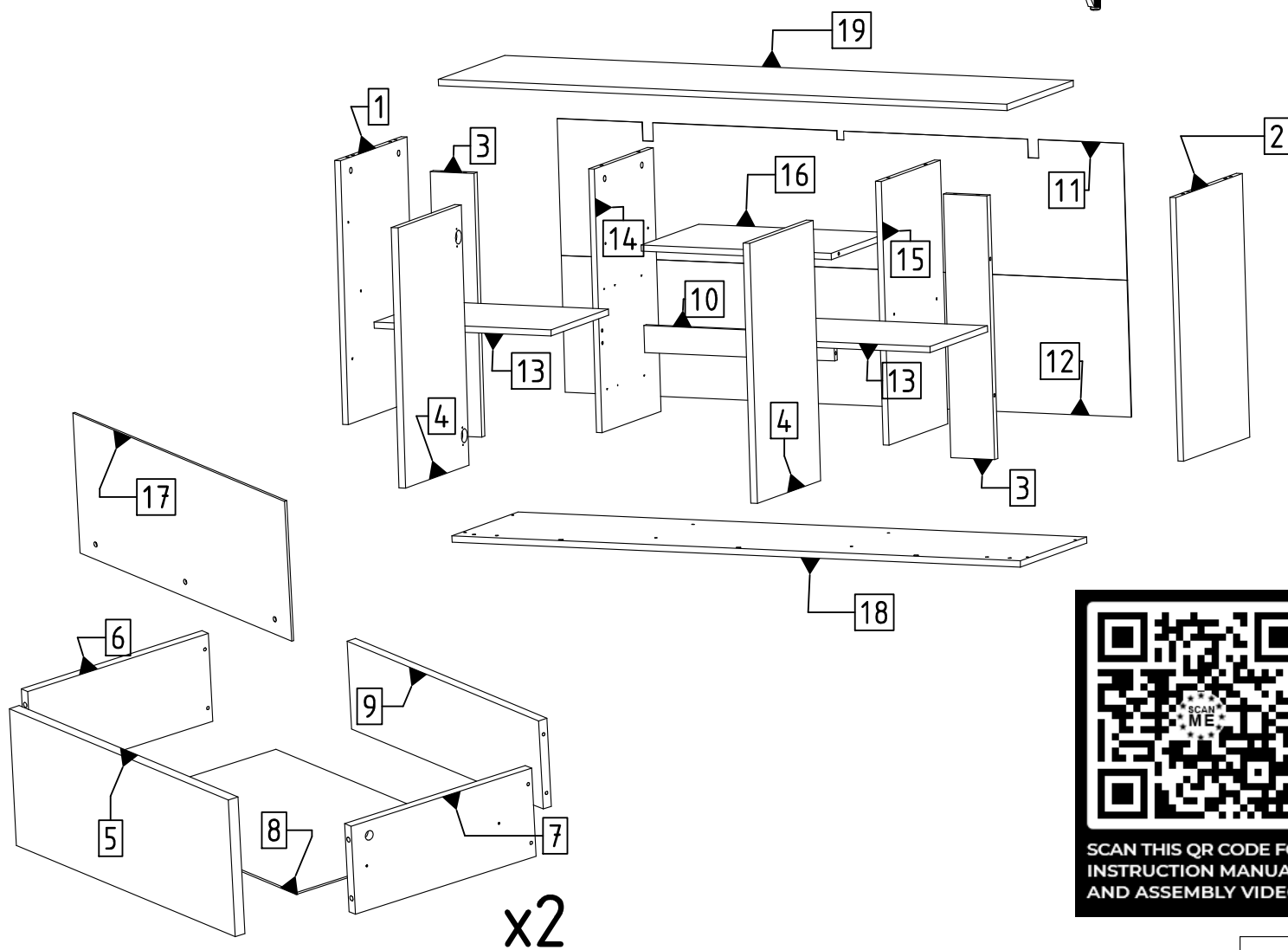
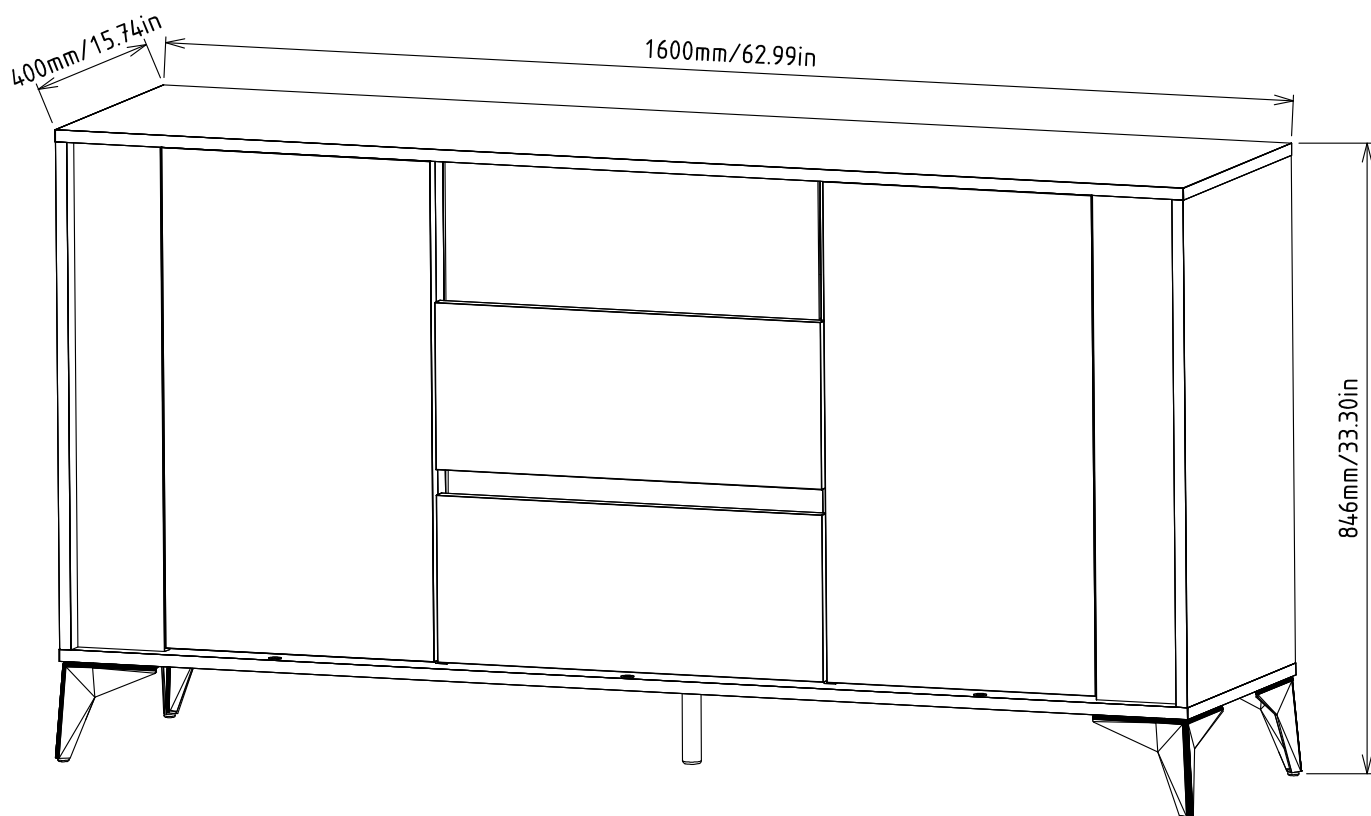
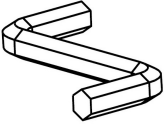
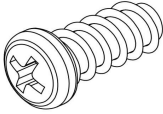
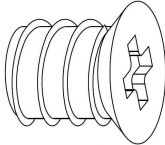
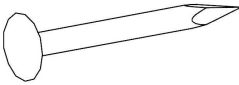
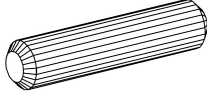
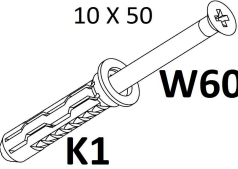
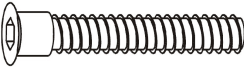
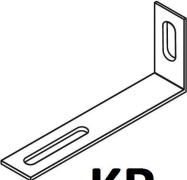

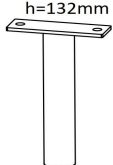
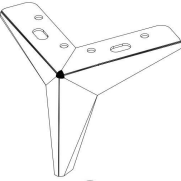
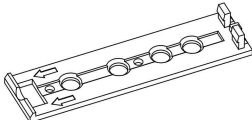
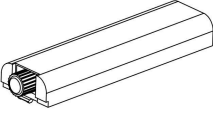
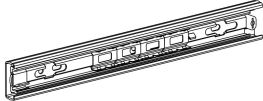
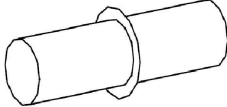

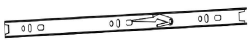
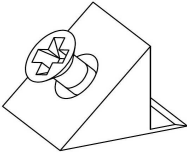
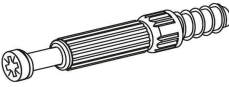
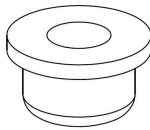
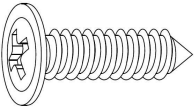

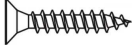
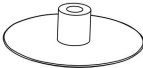
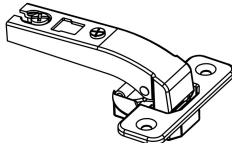
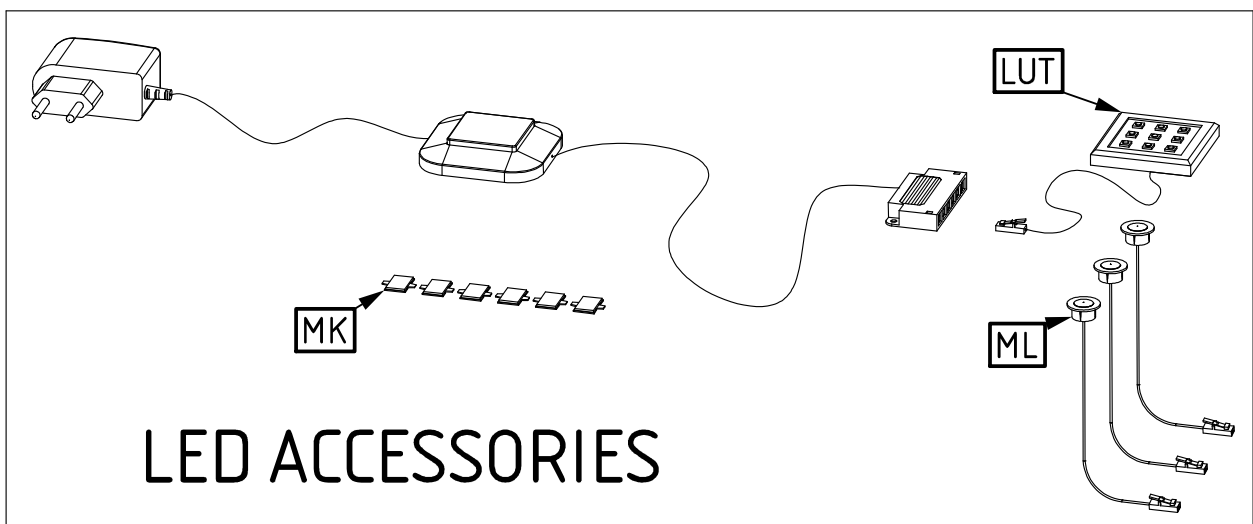


Table accessories

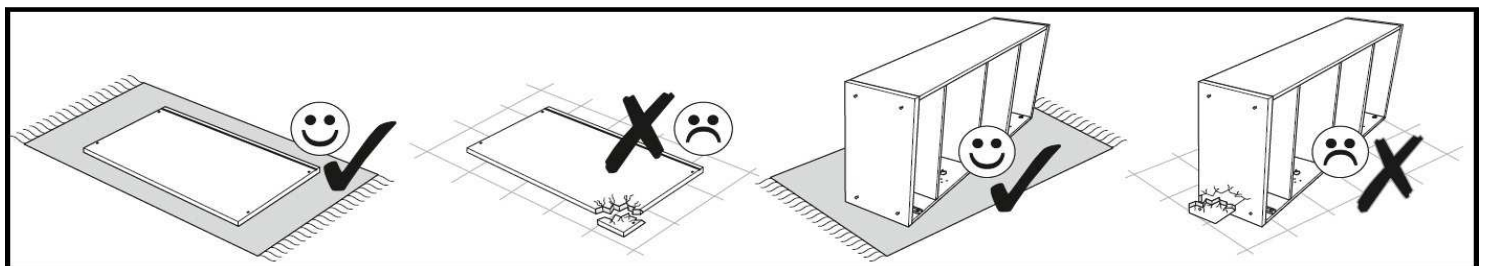
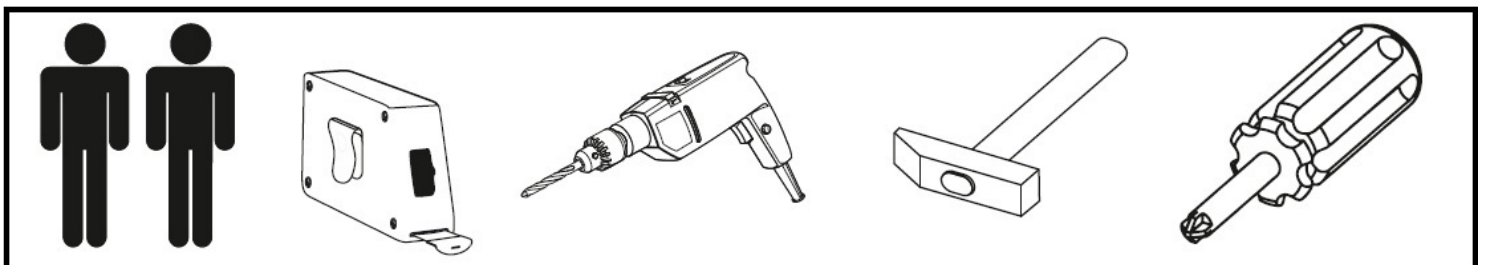
EVEL_03

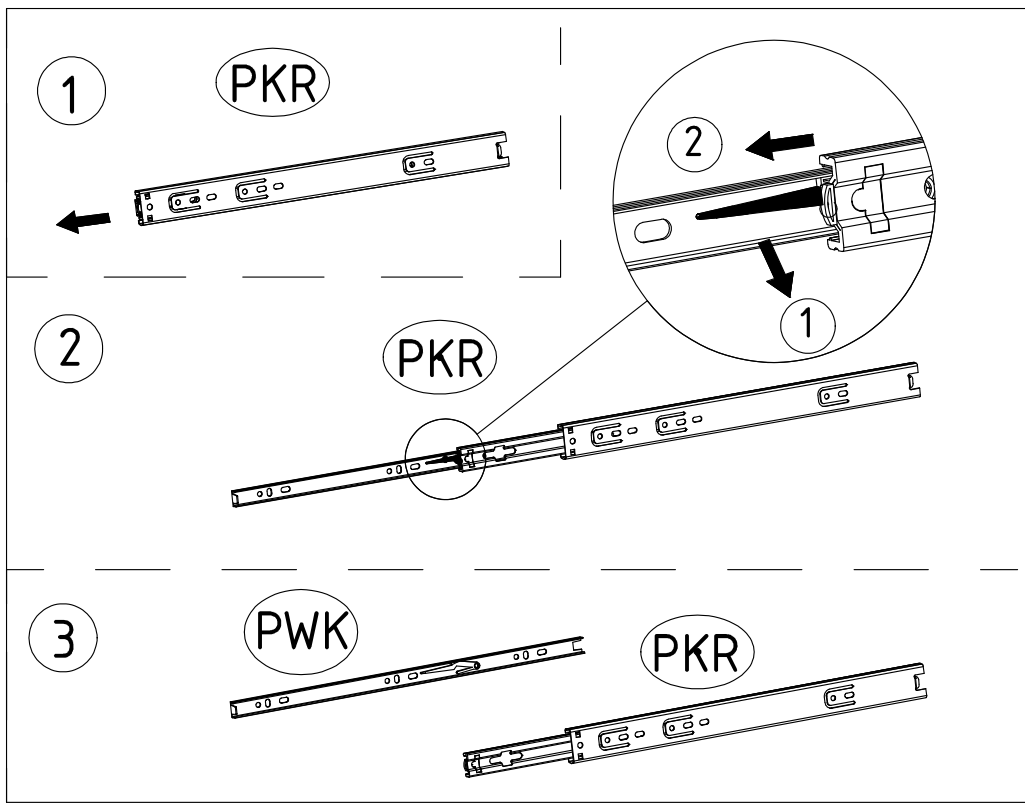
 A1	<p>6,3 X 13</p>  E13	<p>6,3x9mm</p>  E3	 G	<p>8 x 30</p>  K
<p>10 X 50</p>  K1	<p>6,3 X 50</p>  KN	 KR	<p>15 x 12</p>  M	<p>h=132mm</p>  N9
 NG	 OB	 OB2	<p>L350</p>  PKR	 PP
 PRE	<p>L350</p>  PWK	 ST	<p>6 x 34 mm</p>  T	 TP
<p>UP 4 X 16mm</p>  W10	<p>4 x 16</p>  W16	<p>3 x 16mm</p>  W3	 Z	 ZRO



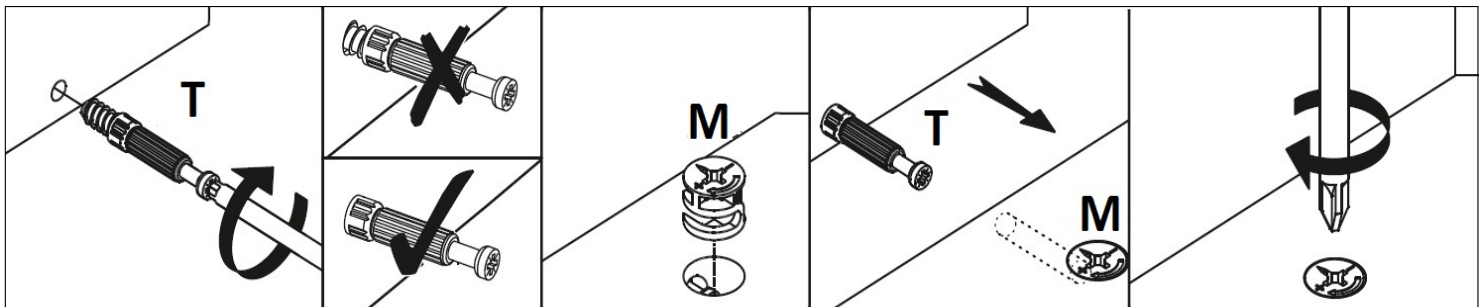
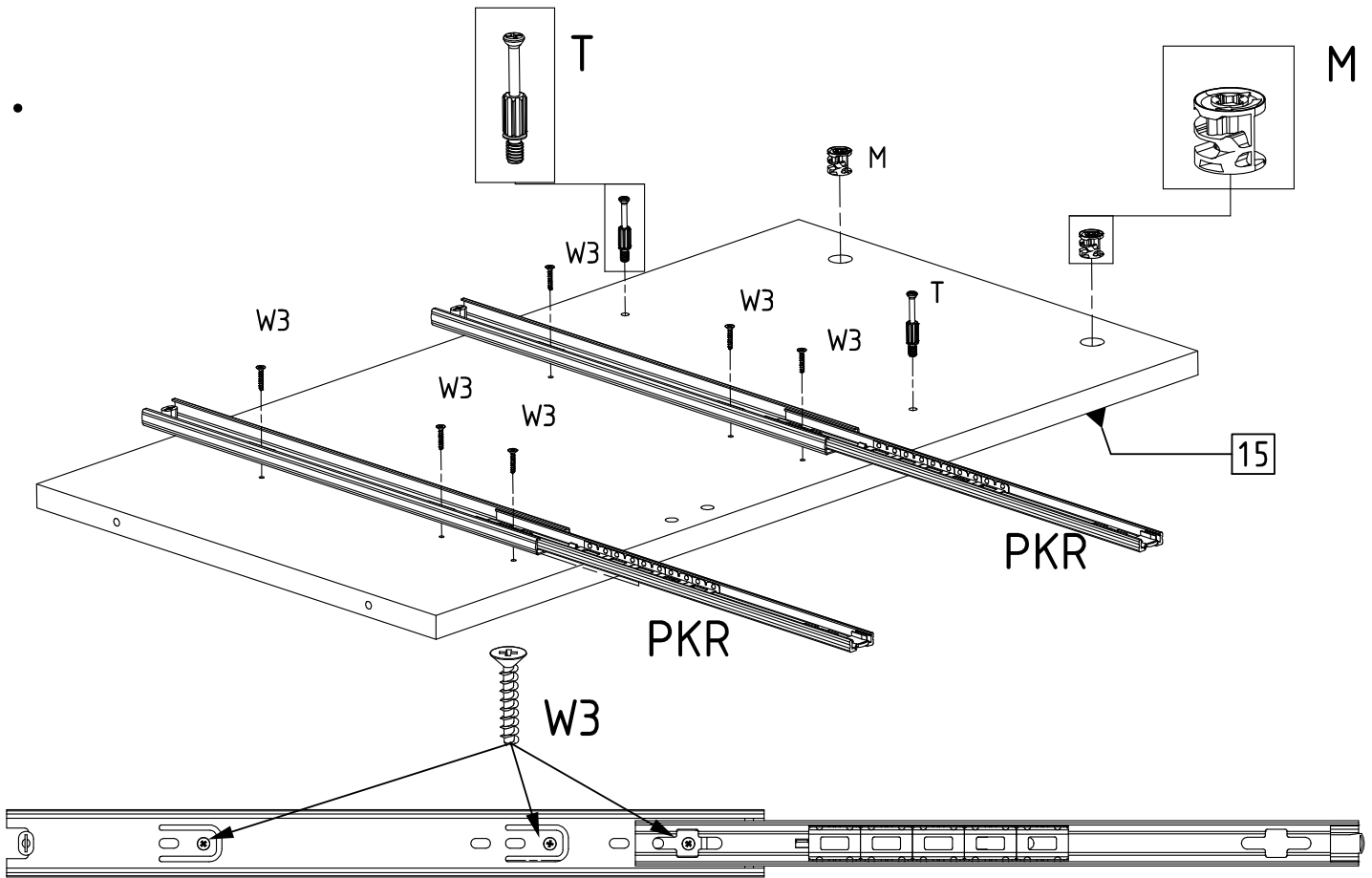
LED ACCESSORIES

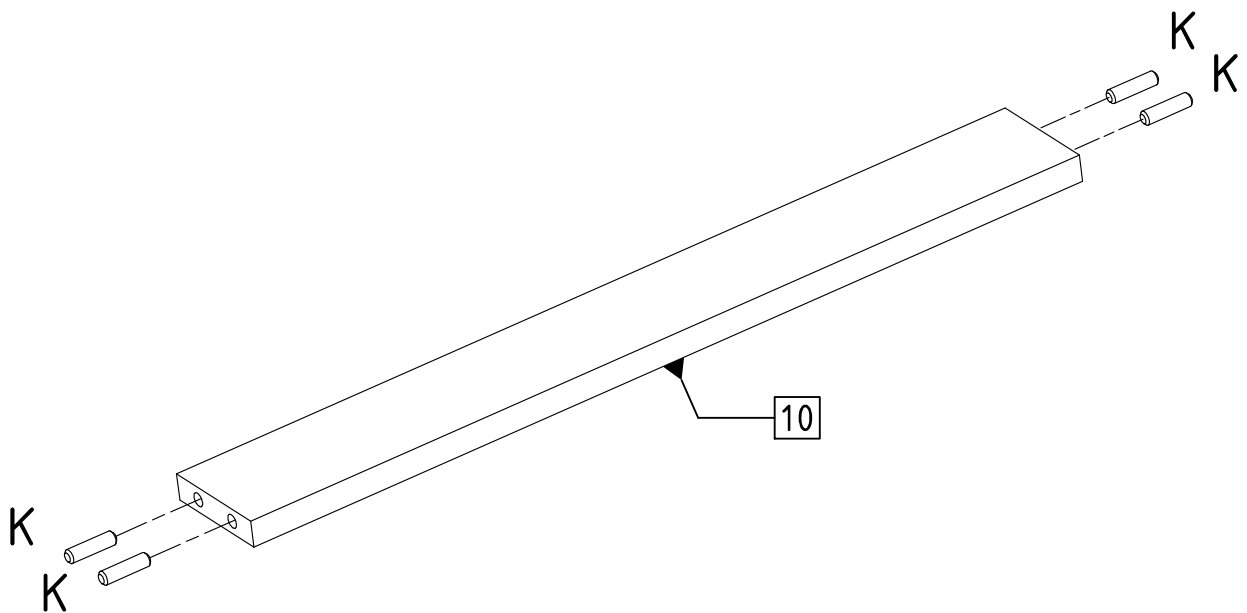
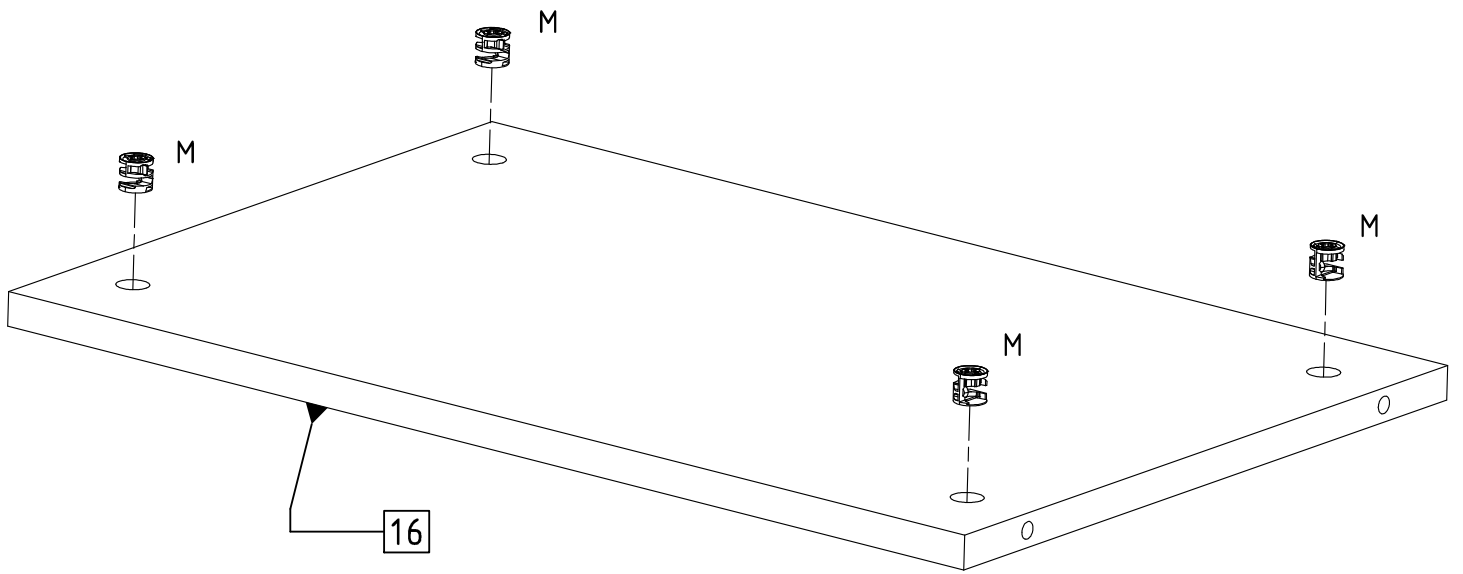
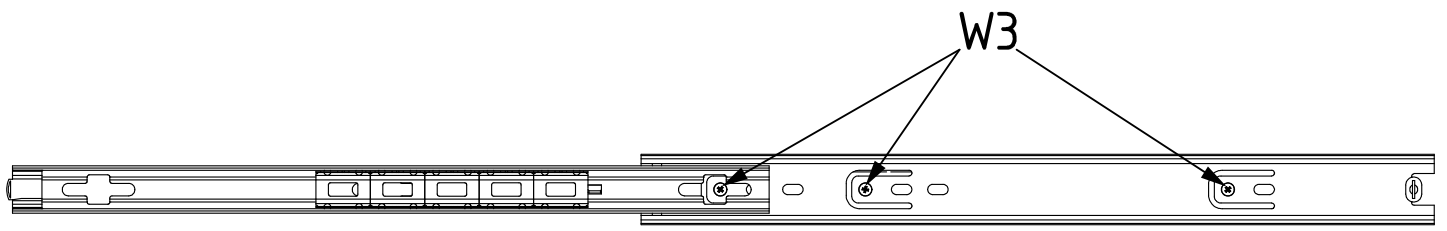
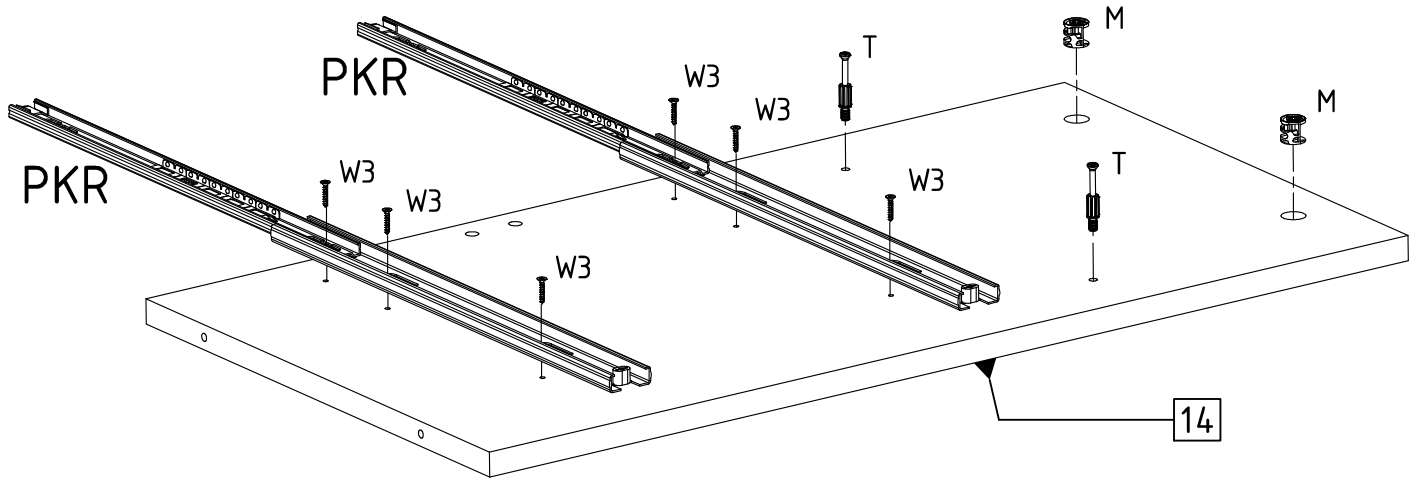
Elements				Accessories	
SYMBOL	LENGTH	WIDTH	QUANTITY	SYMBOL	QUANTITY
BL(1)	15.75	26.77	1	A1	1
BP(2)	15.75	26.77	1	E13	14
CB(3)	26.77	4.84	2	E3	4
FT(4)	26.42	15	2	G	72
FTS(5)	21.54	8.82	2	K	20
KBL(6)	13.78	5.67	2	K1	2
KBP(7)	13.78	5.67	2	KN	16
KD(8)	19.96	13.94	2	KR	2
KT(9)	18.86	5.67	2	M	20
LC(10)	21.06	2.76	1	N9	1
PC1(11)	62.72	13.9	1	NG	4
PC2(12)	62.72	13.9	1	OB	2
PK(13)	19.61	13.62	2	OB2	2
PPI01(14)	13.98	26.77	1	PKR_L350	4
PPI02(15)	13.98	26.77	1	PP	8
PPO(16)	21.06	13.66	1	PRE	4
SF(17)	20.83	9.02	1	PWK_L350	4
WD(18)	62.99	15.75	1	ST	6
WG(19)	62.99	15.75	1	T	20
				TP	3
				W10	3
				W16	12
				W3	20
				W60	2
				Z	20
				ZR0	4



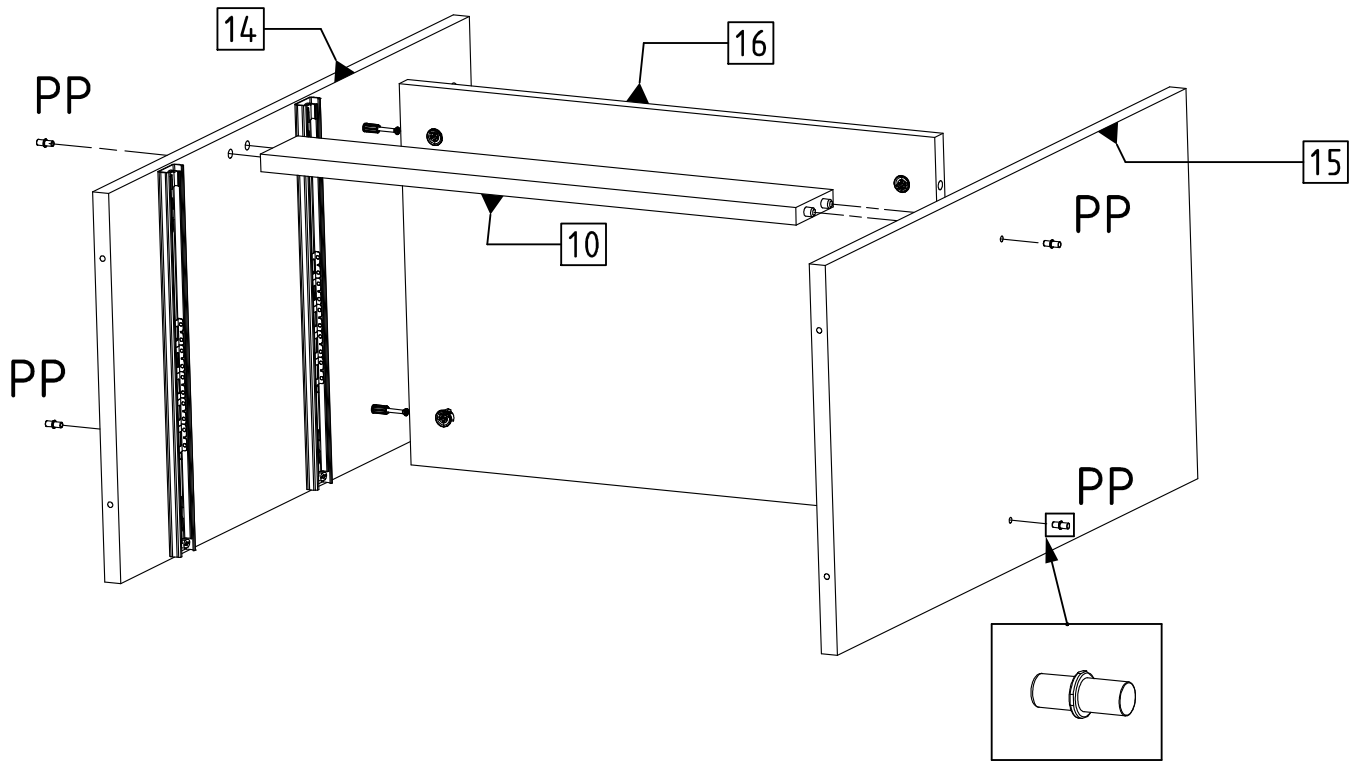


1.

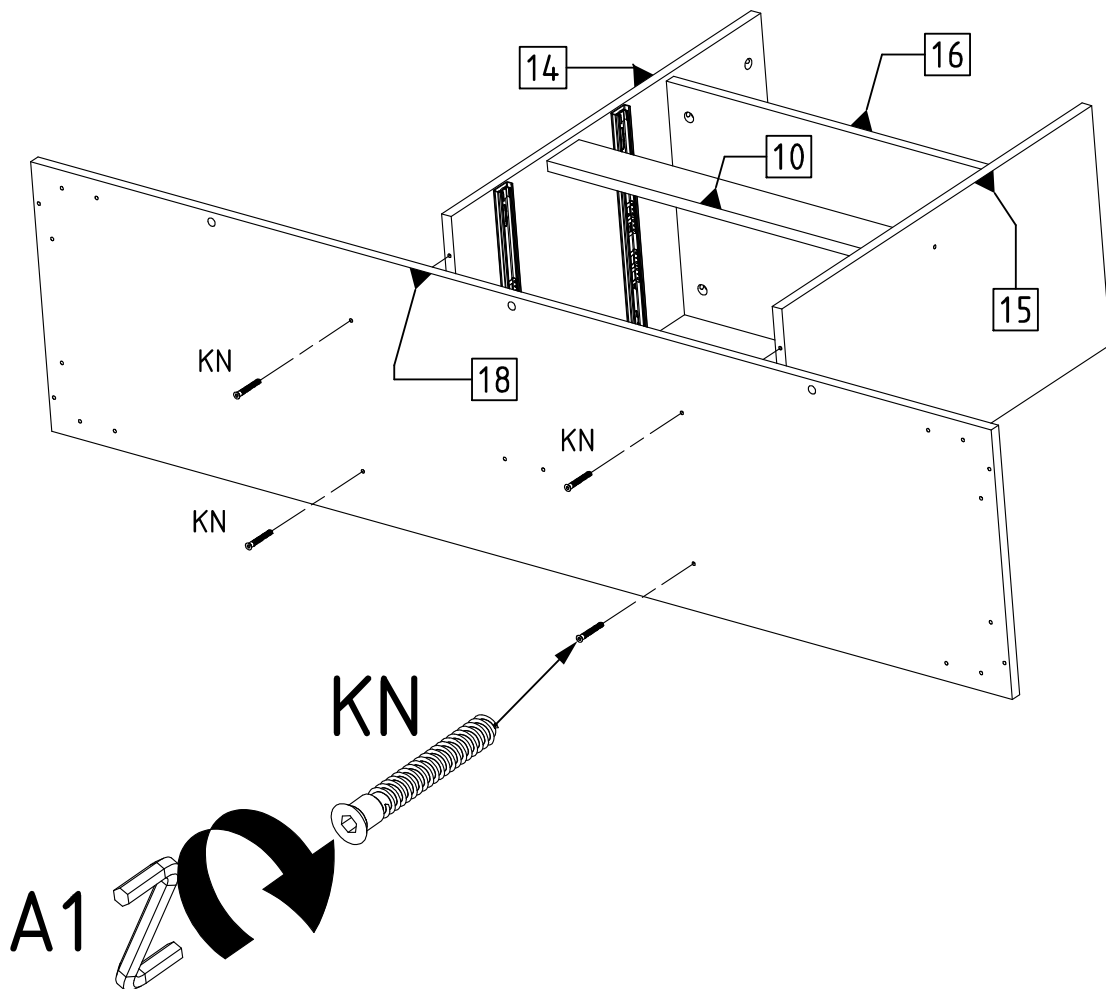




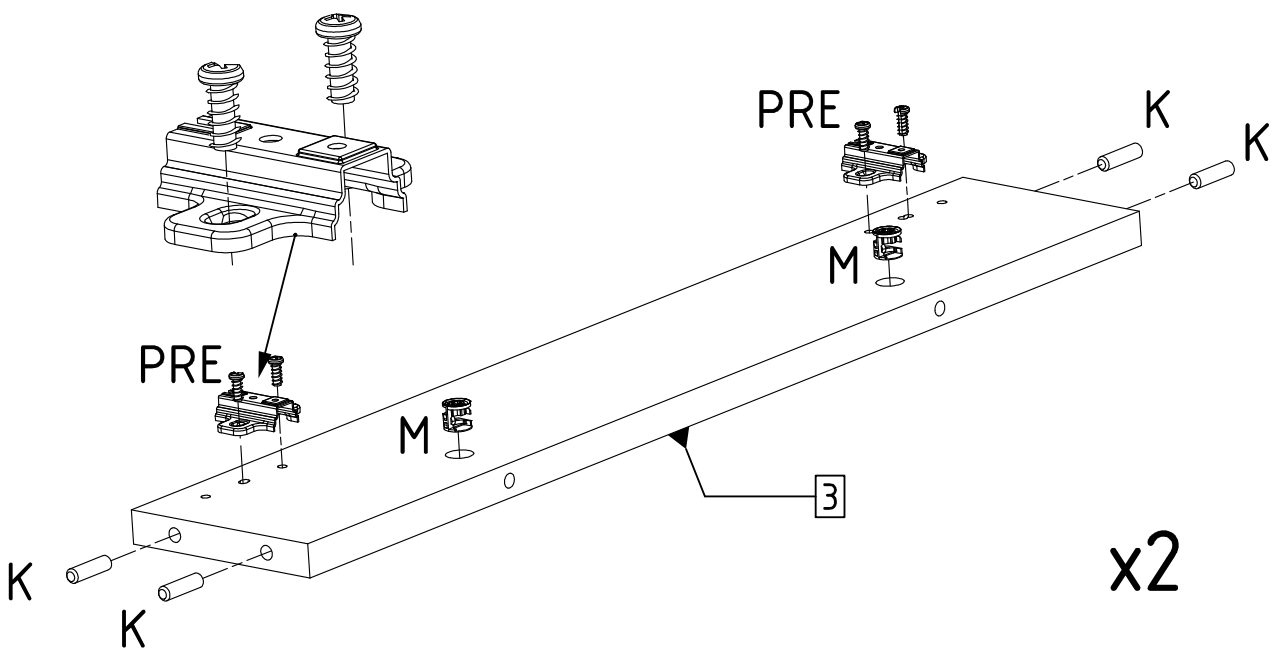
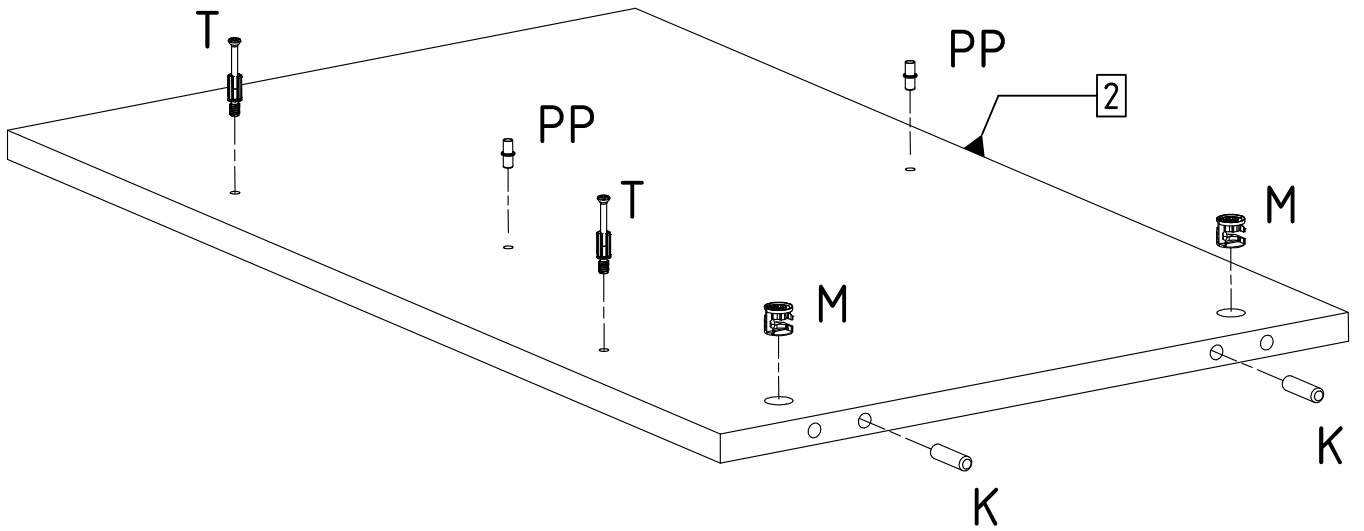
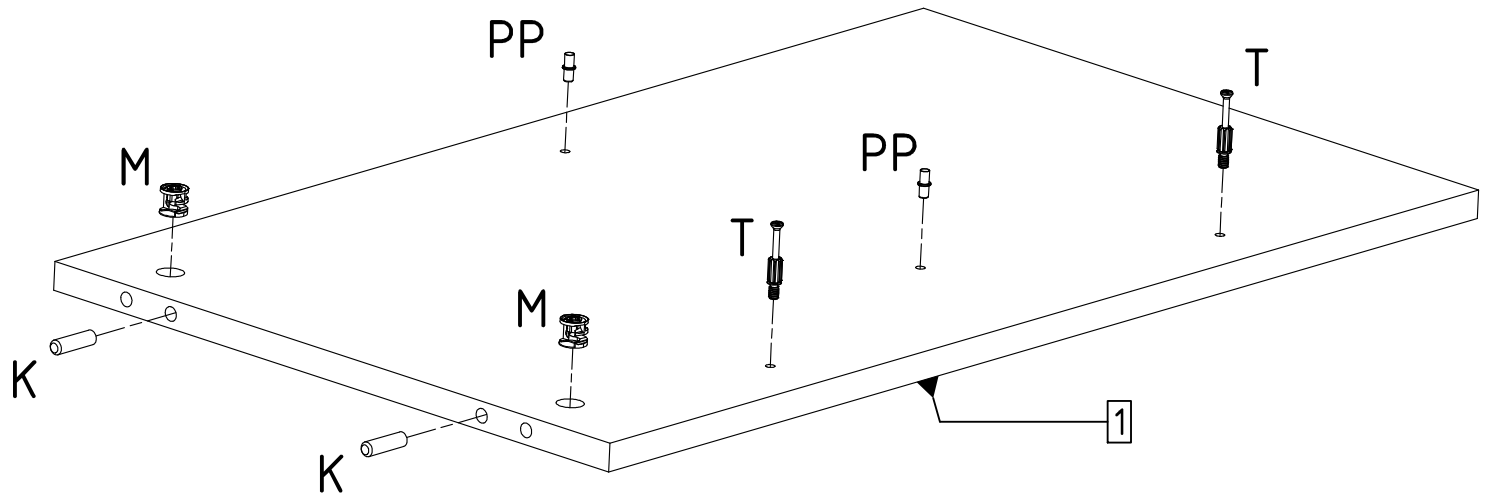
2.



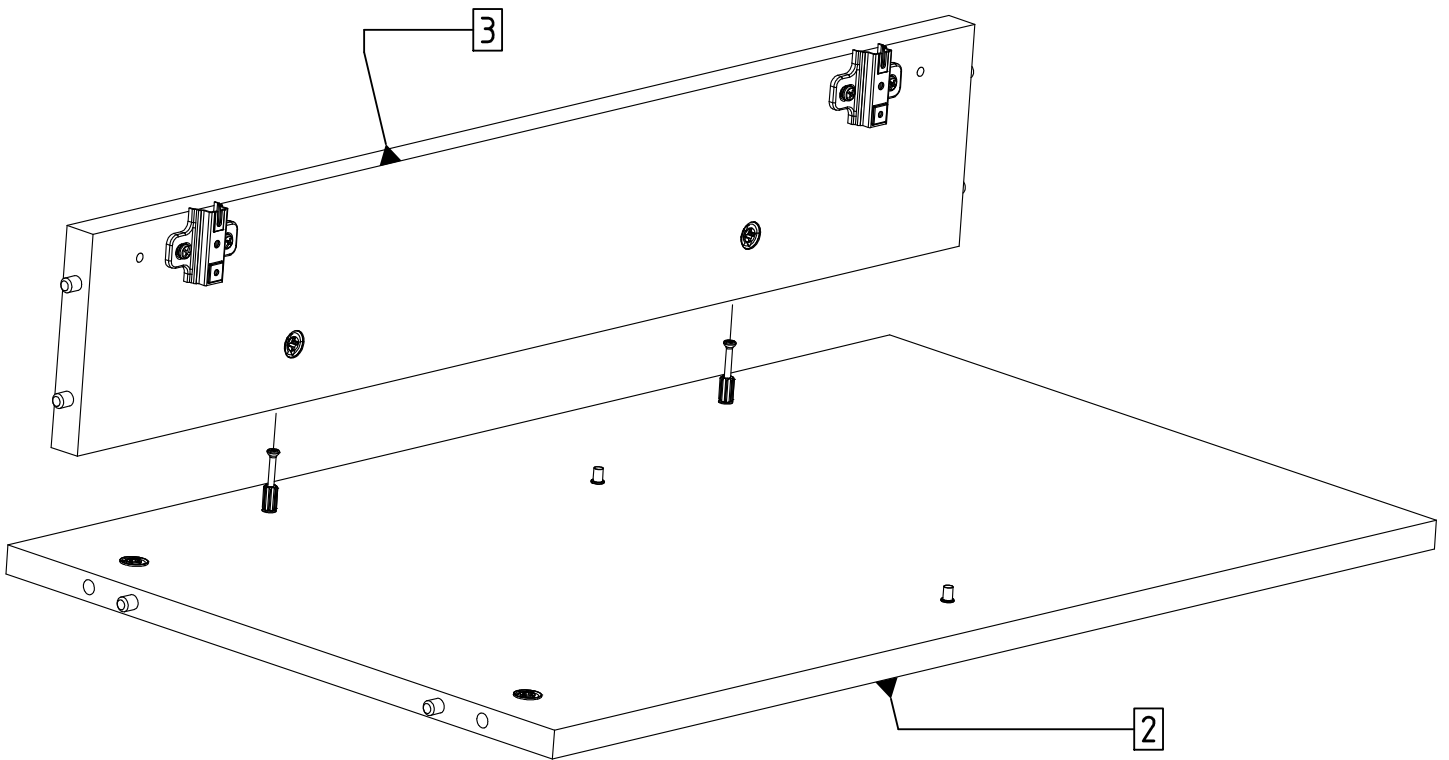
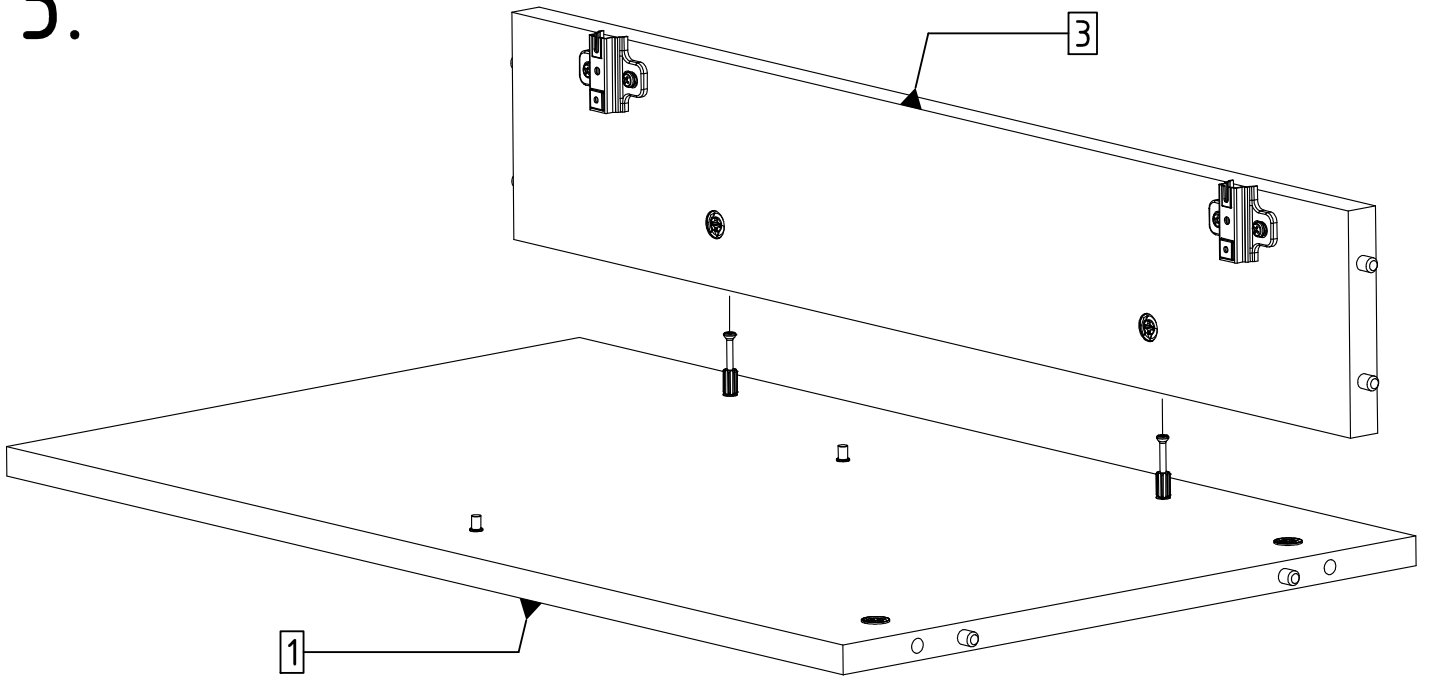
3.

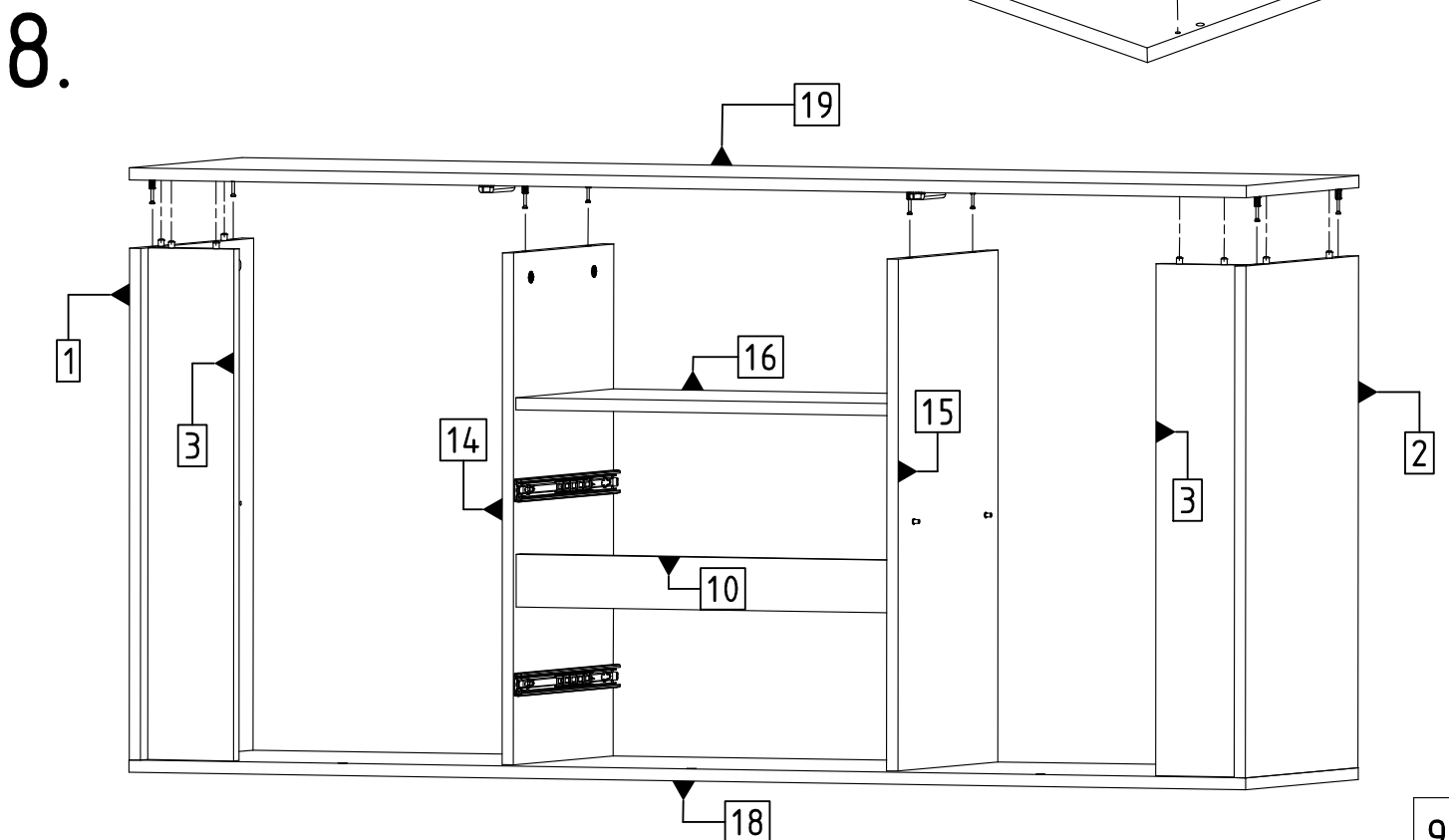
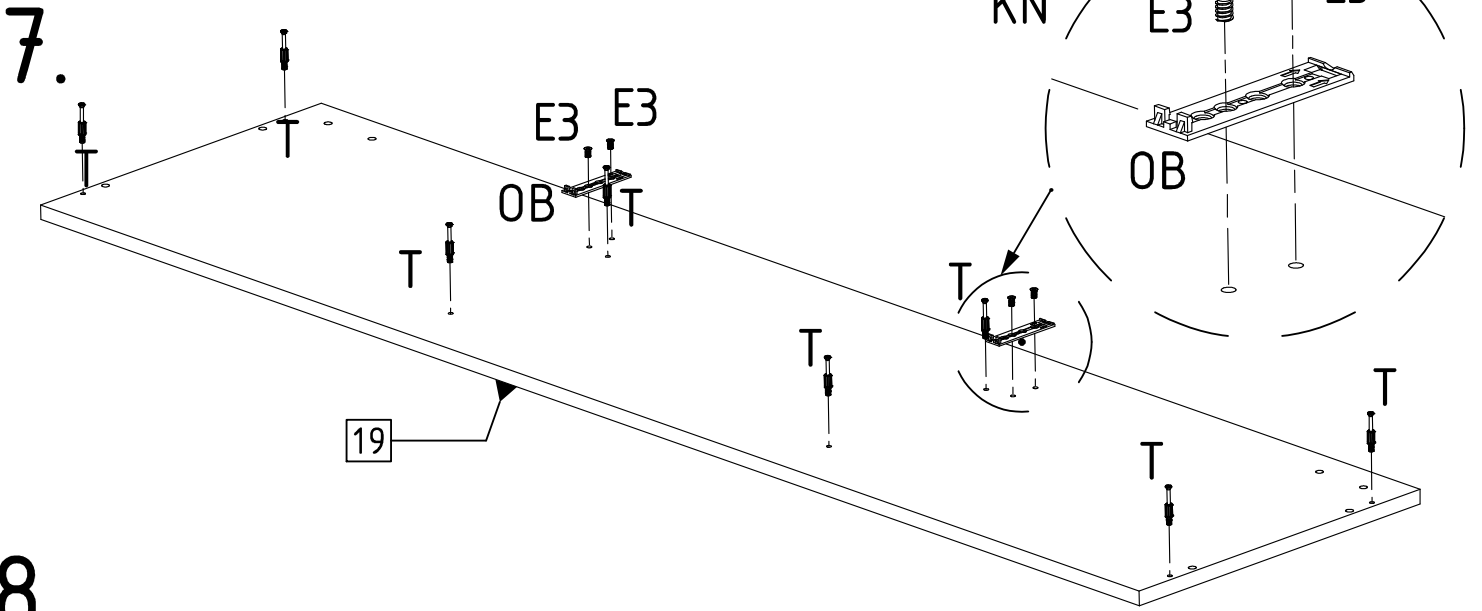
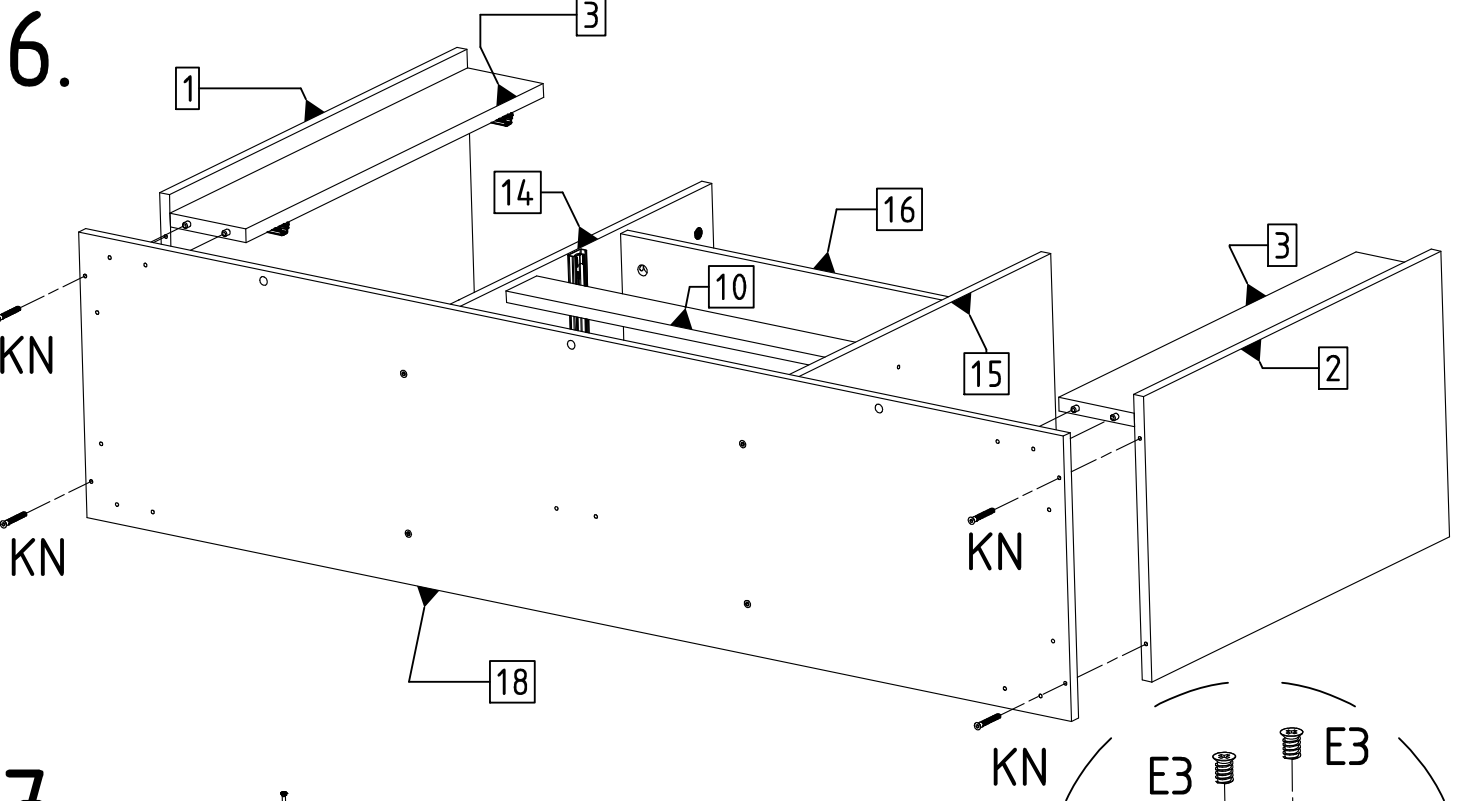


4.

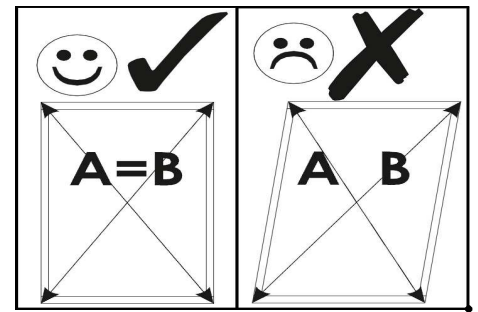
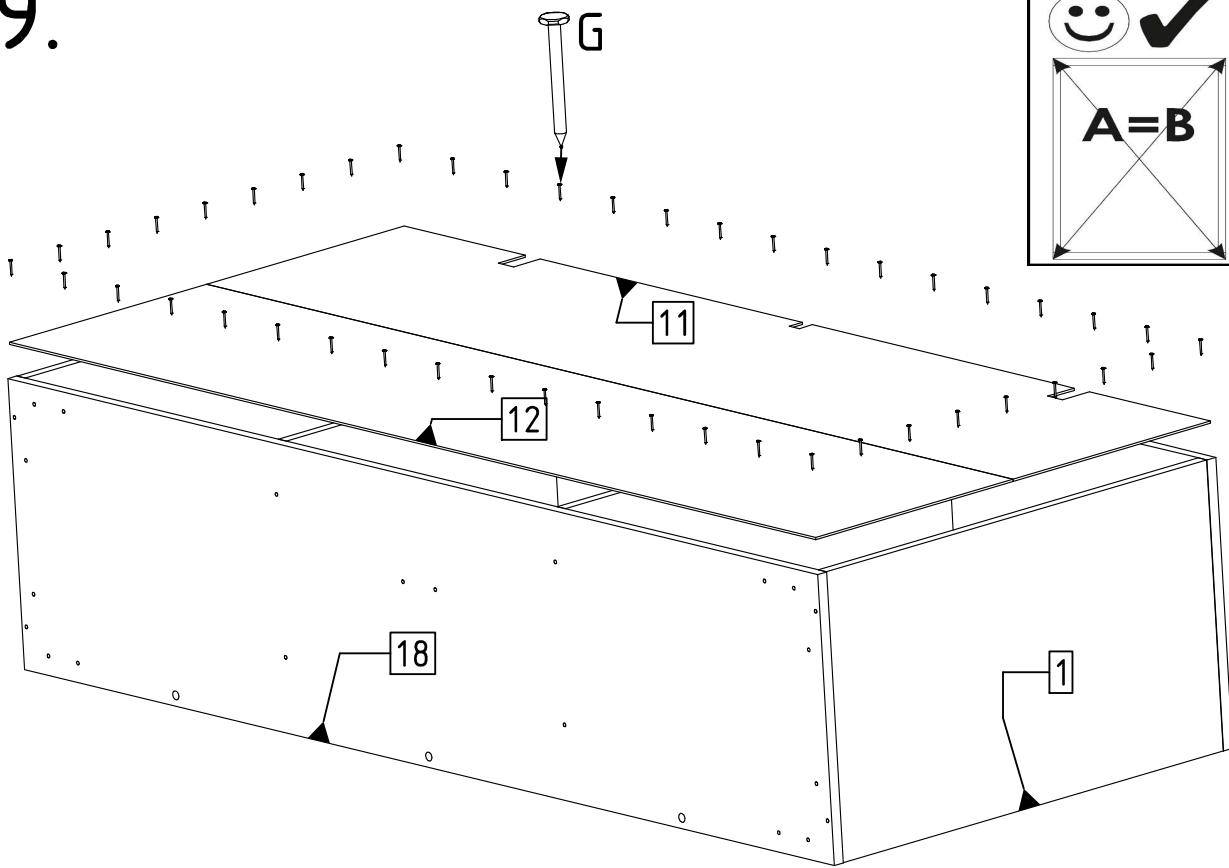


5.

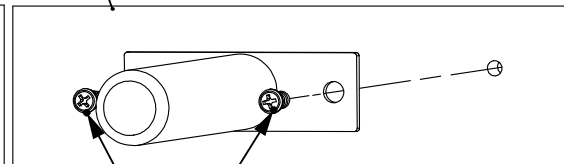
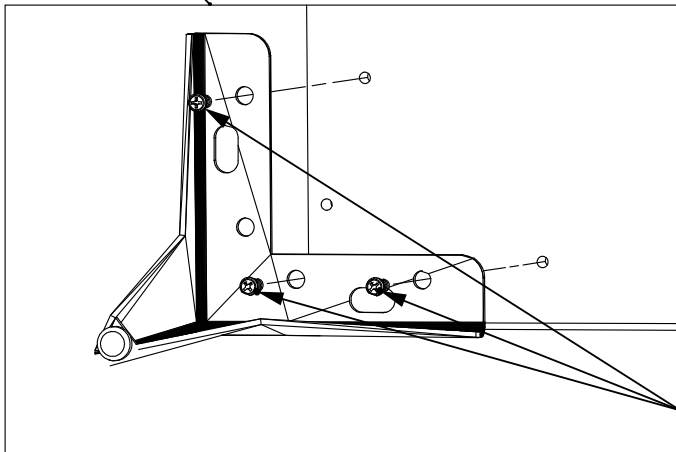
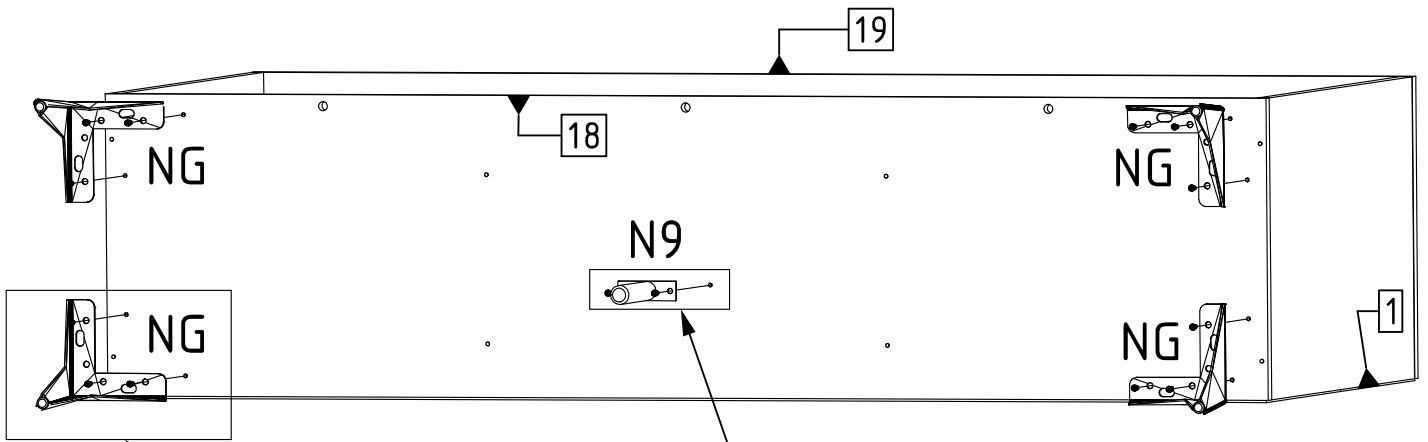




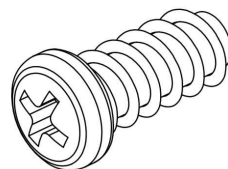
9.



10.

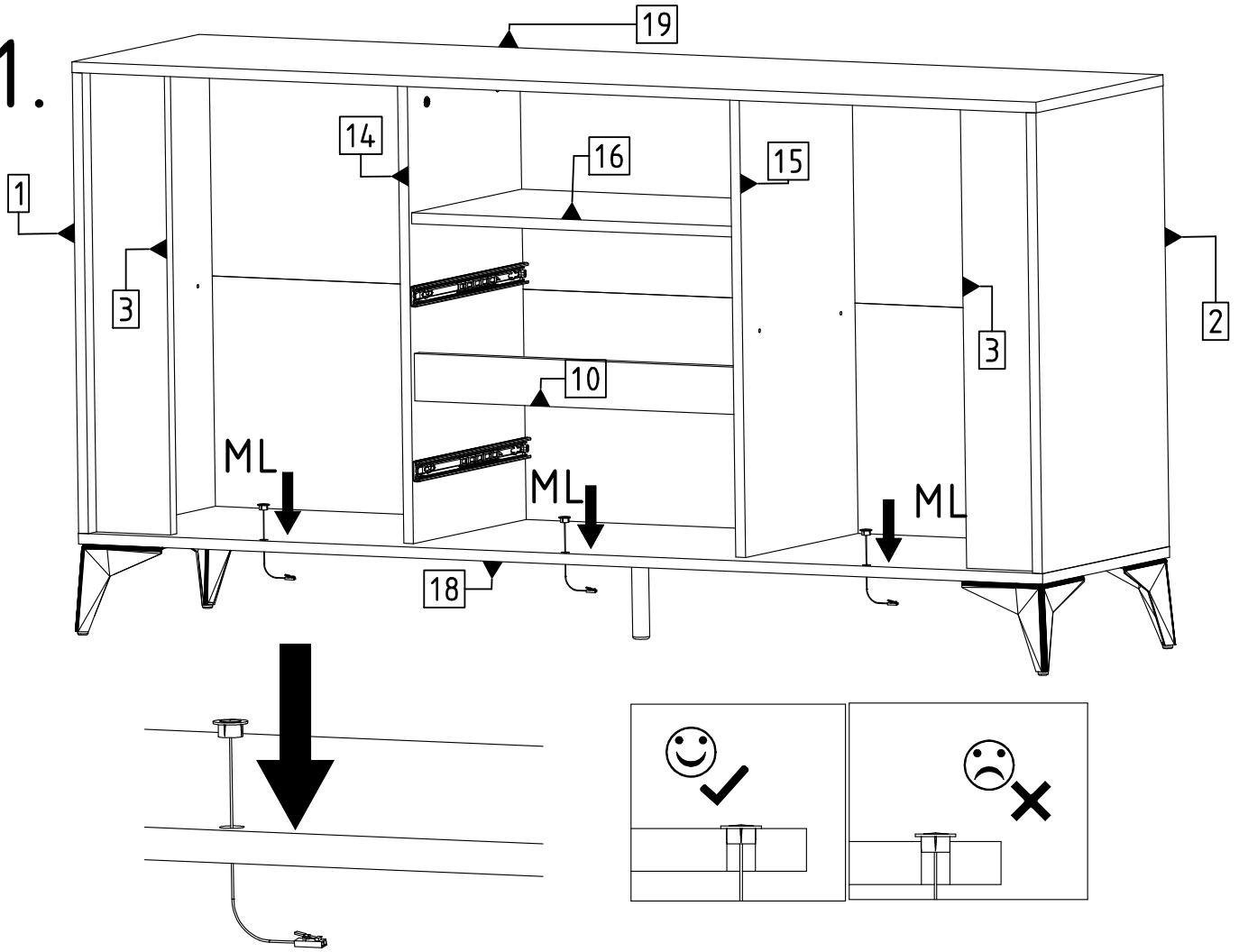


6,3 X 13

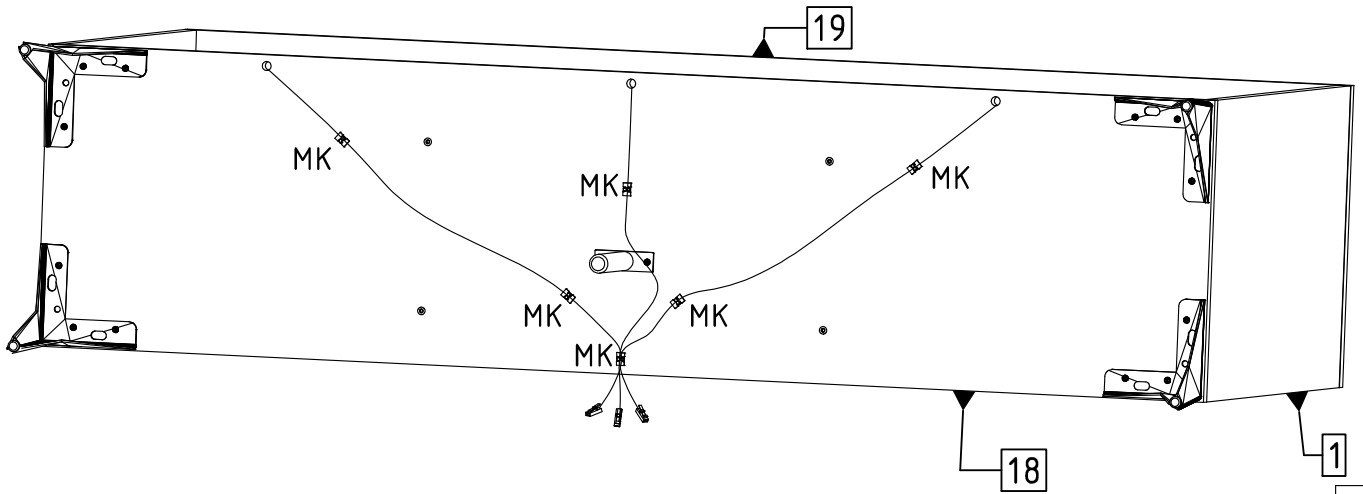
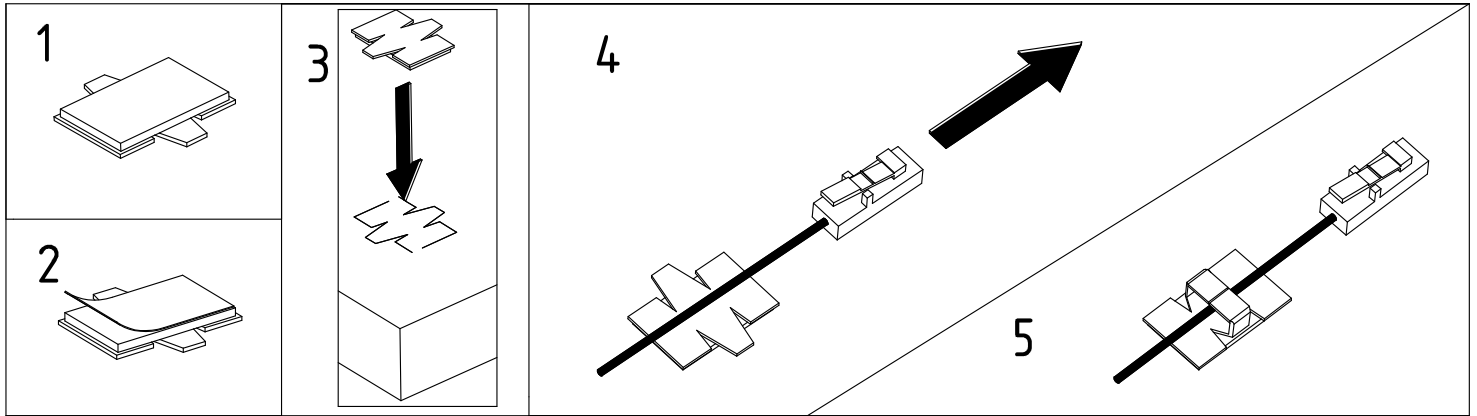


E13

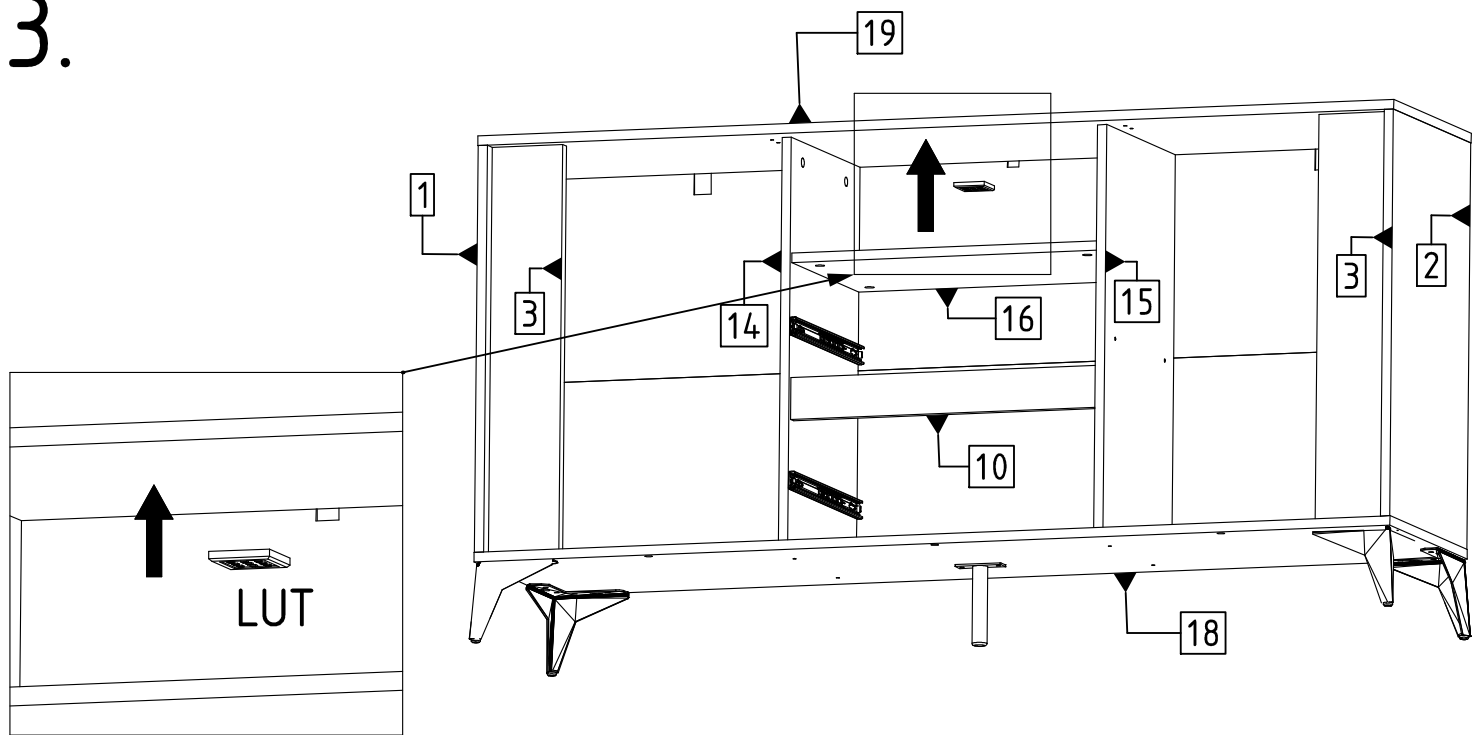
11.



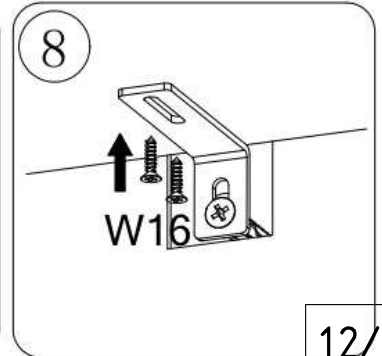
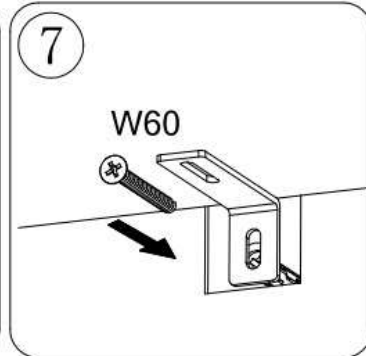
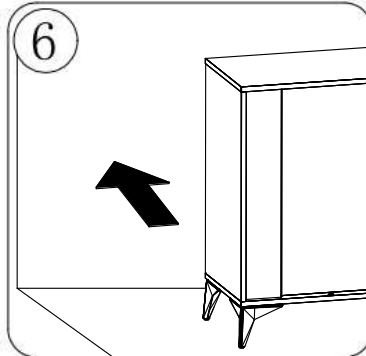
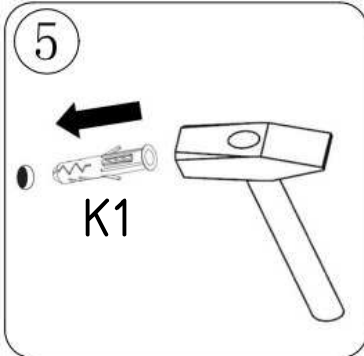
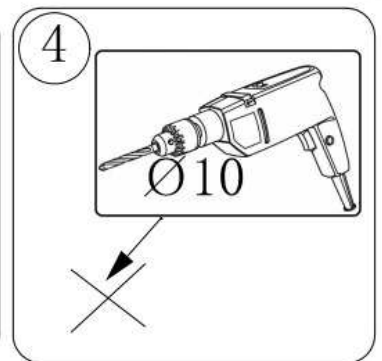
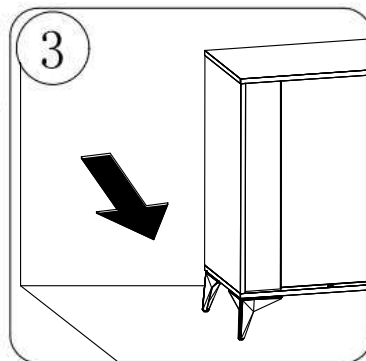
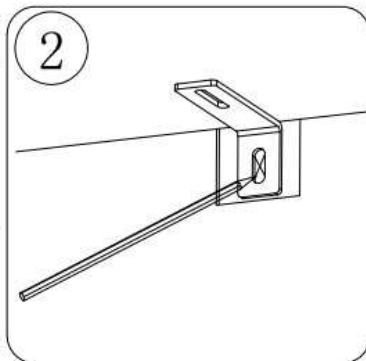
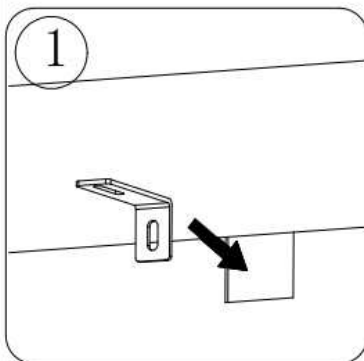
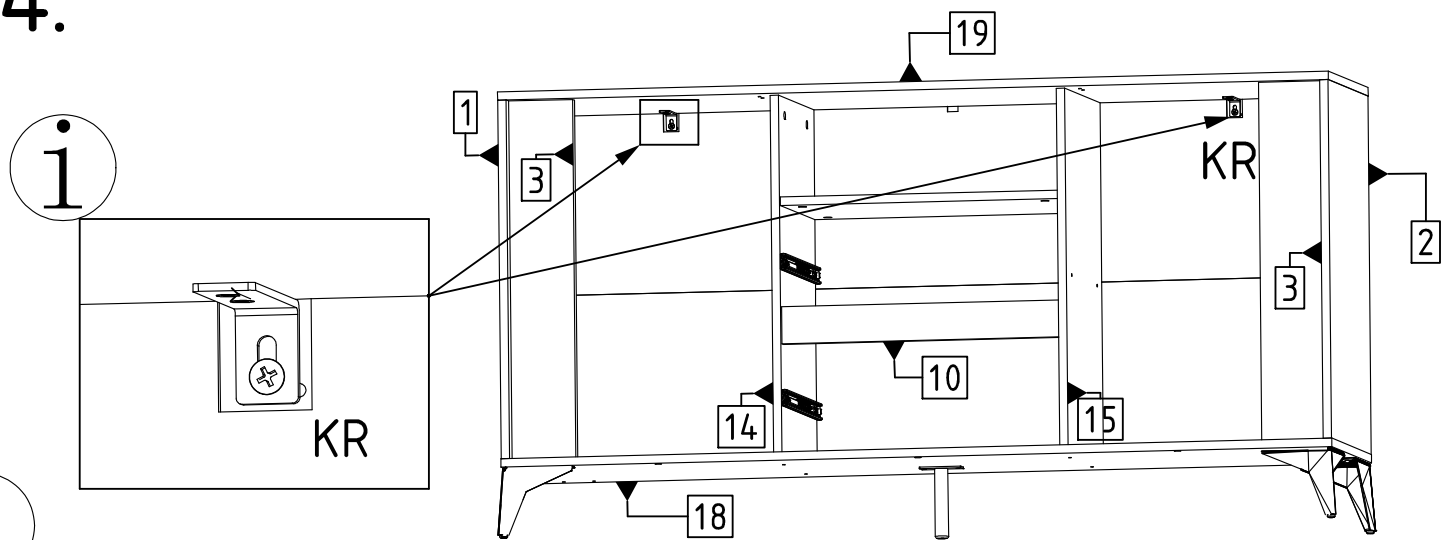
12.



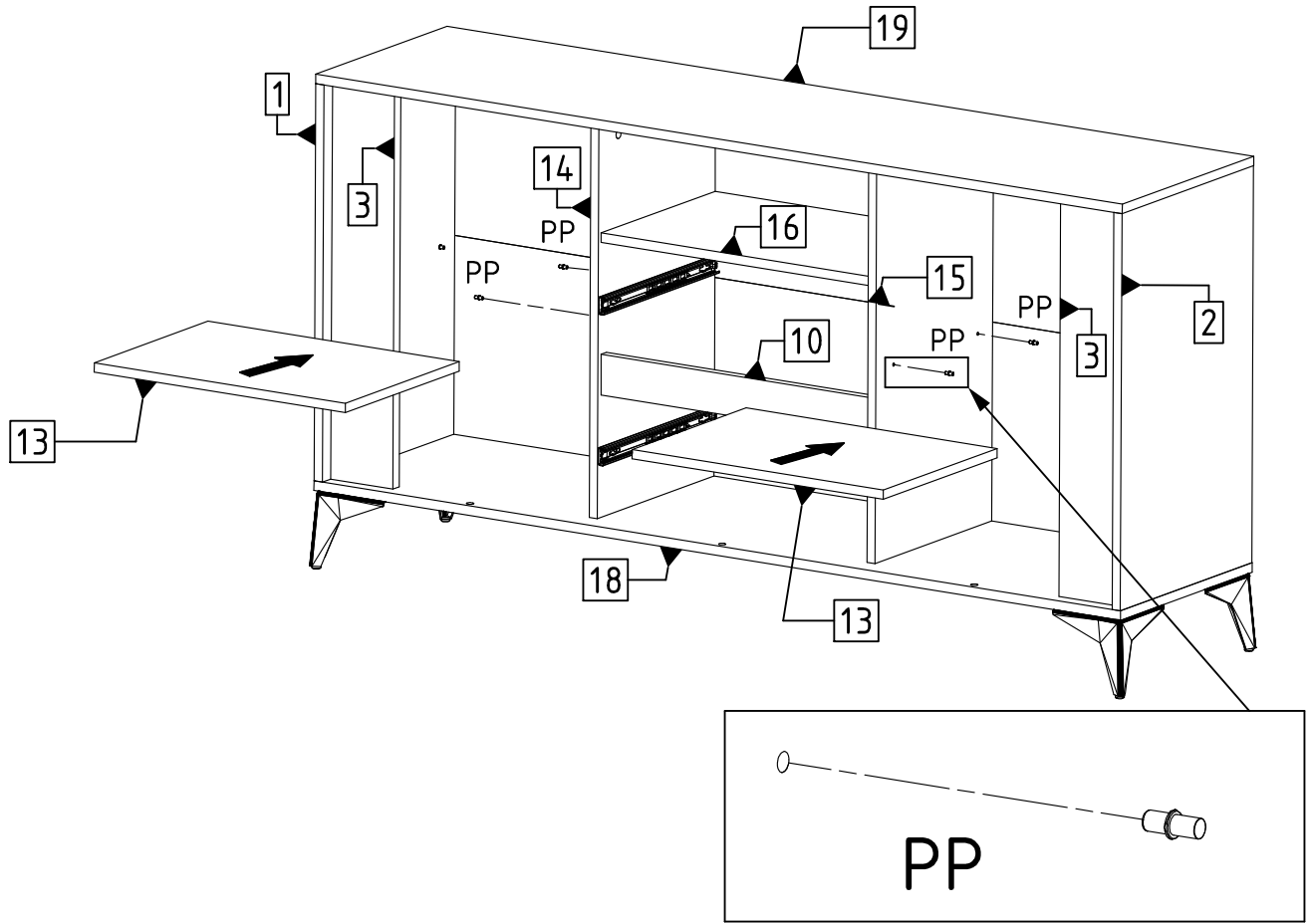
13.



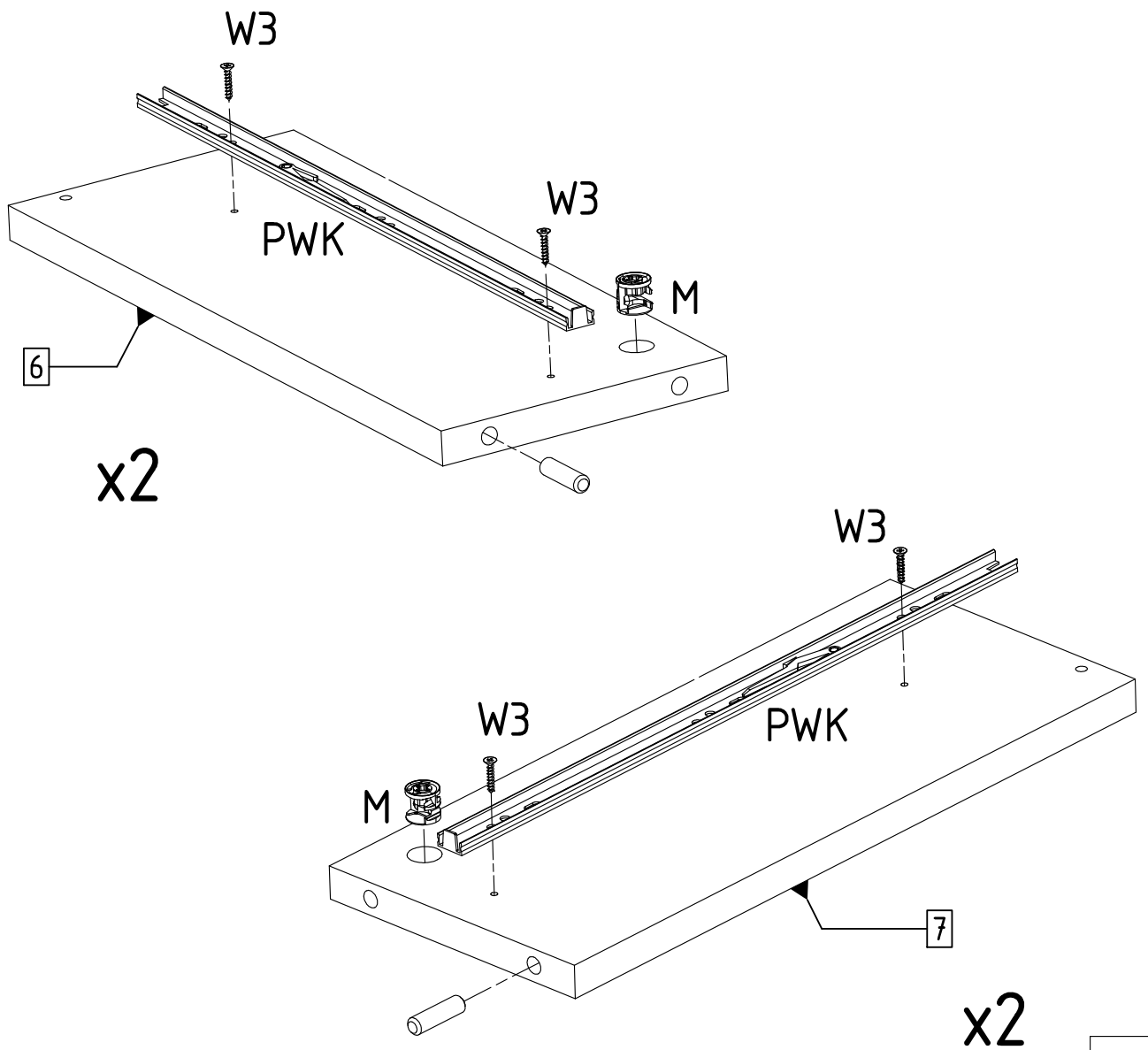
14.



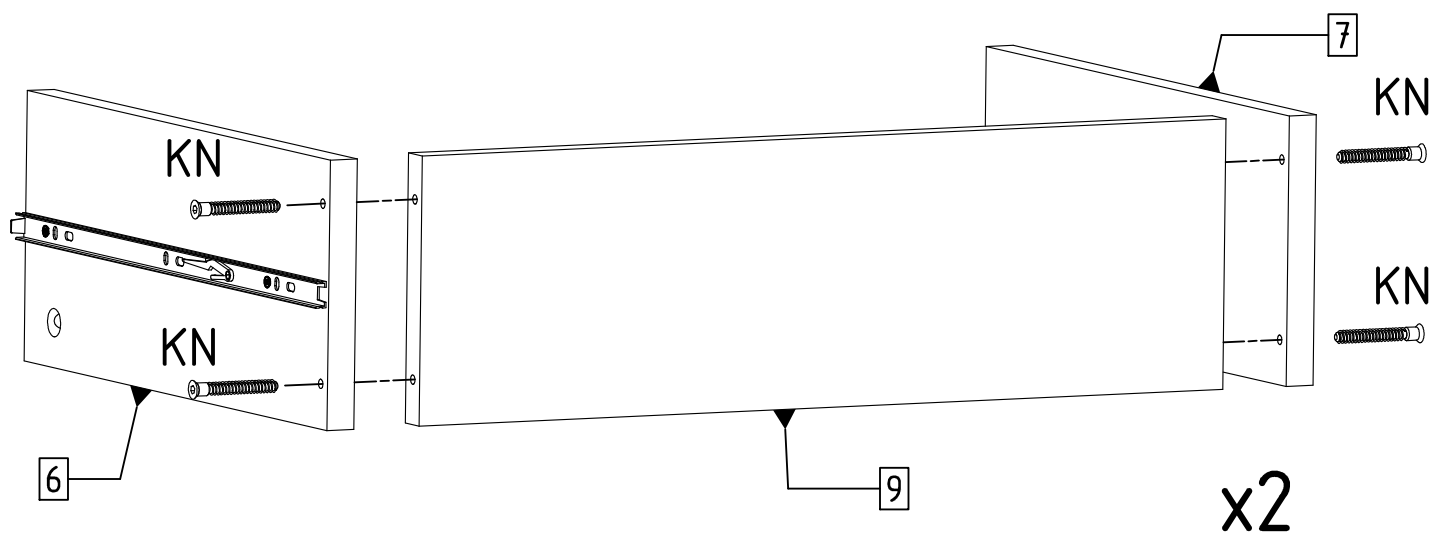
15.



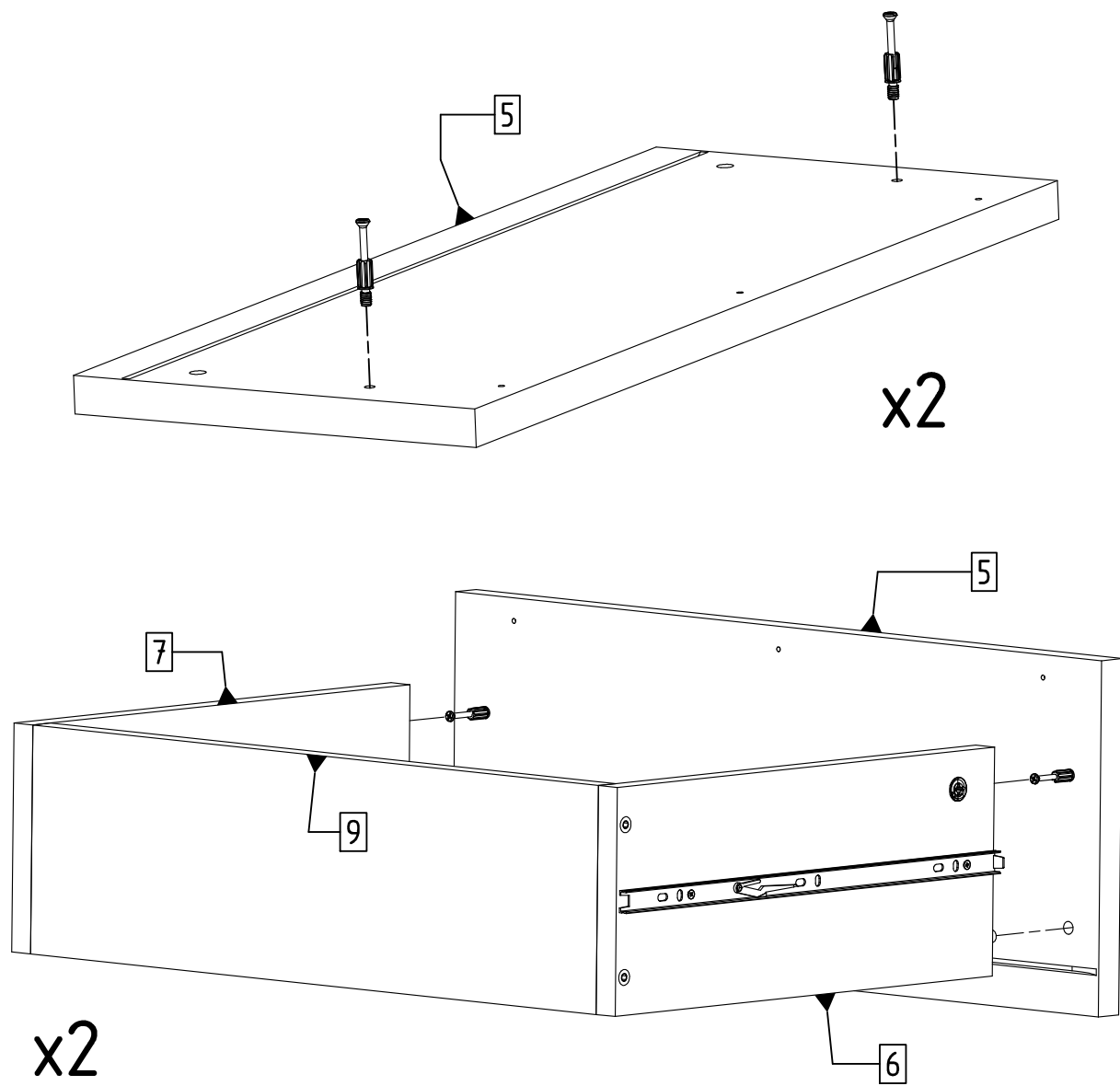
16.



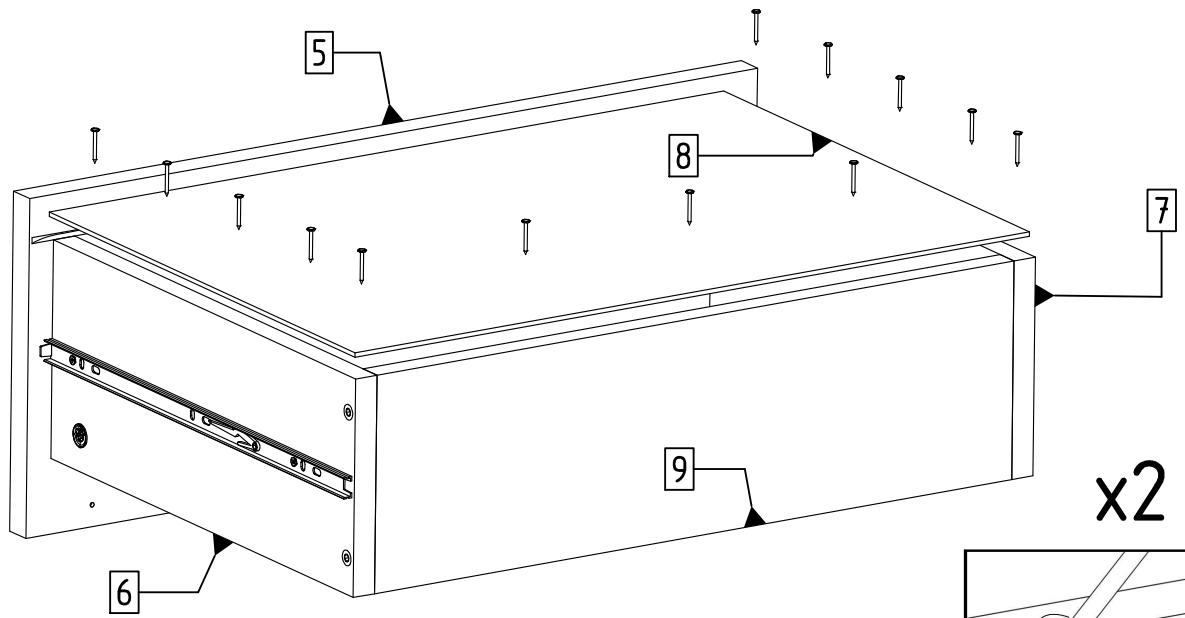
17.



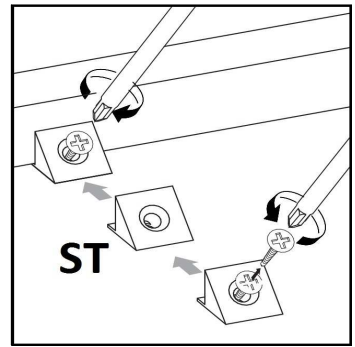
18.



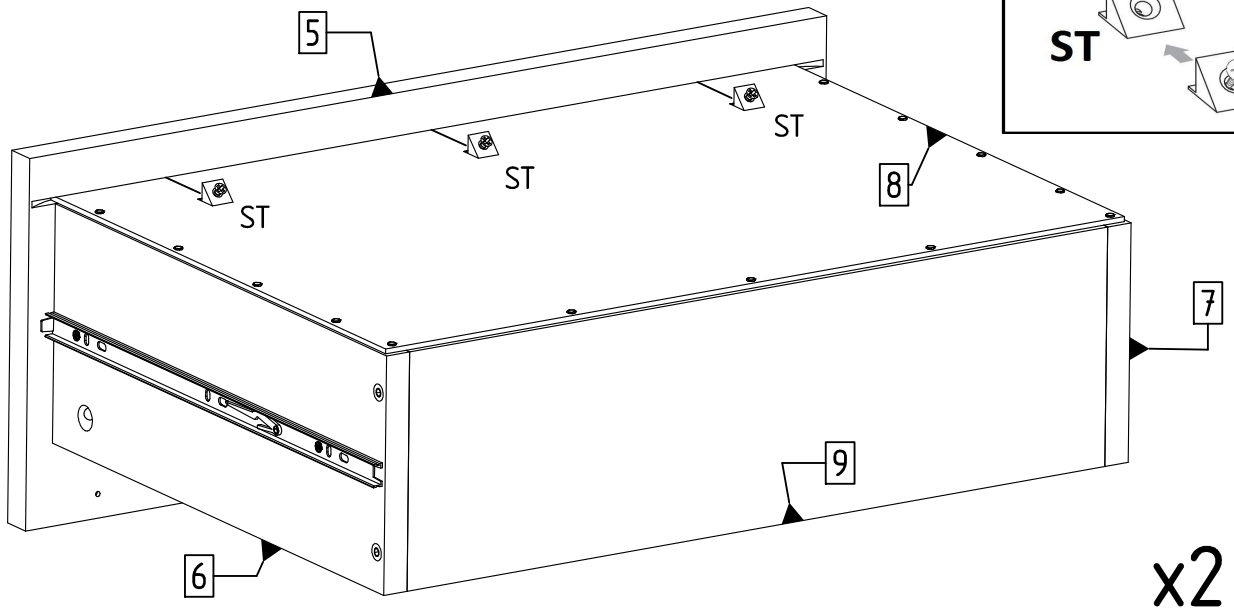
20.



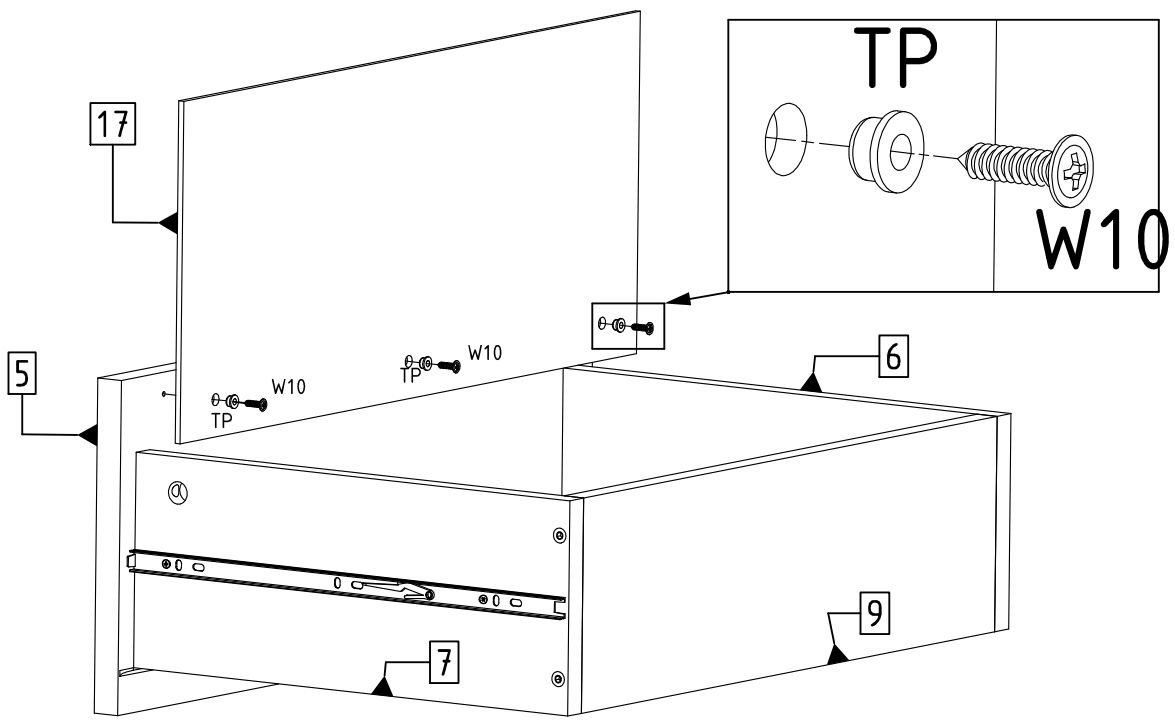
x2

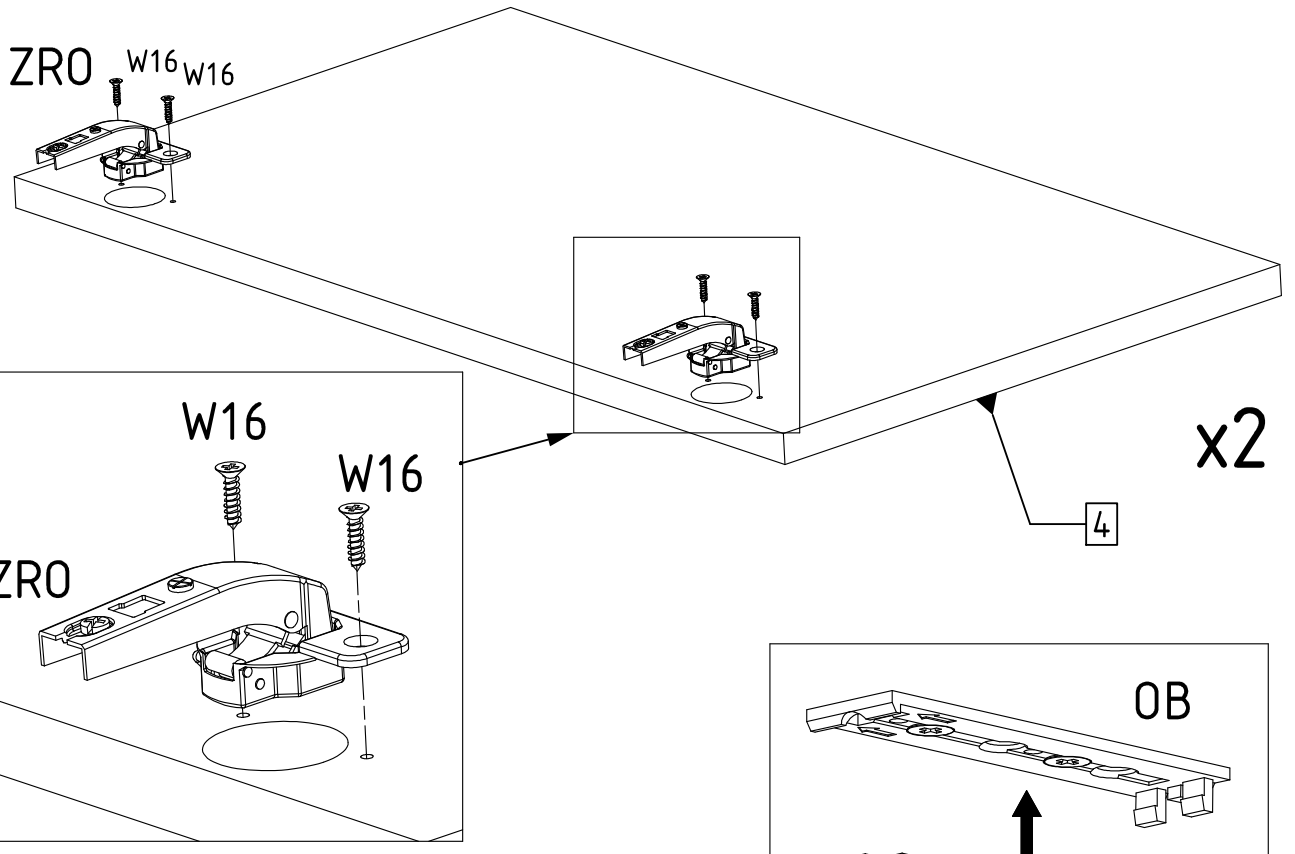


21.

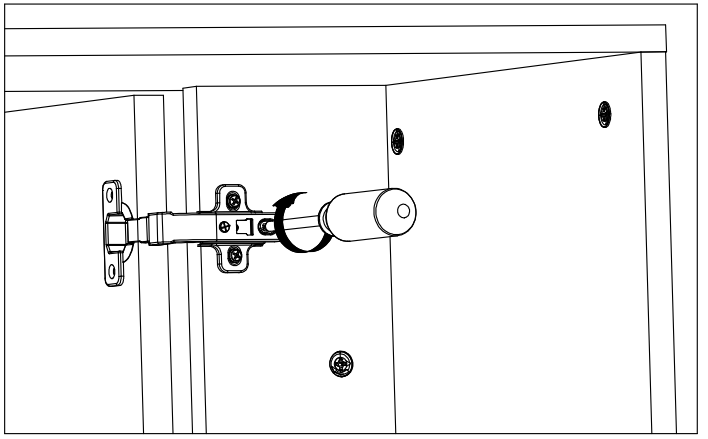
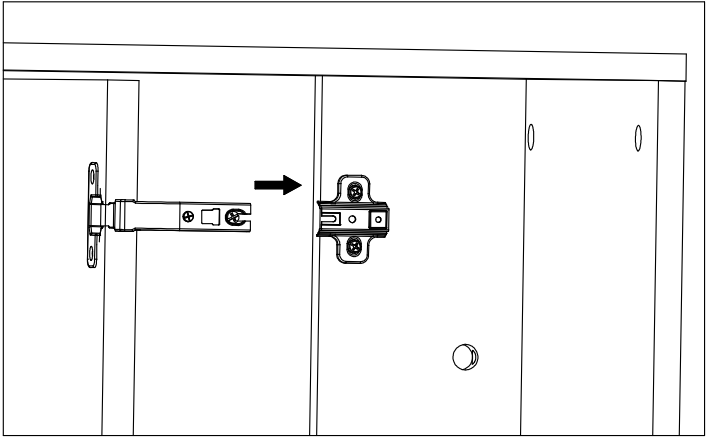
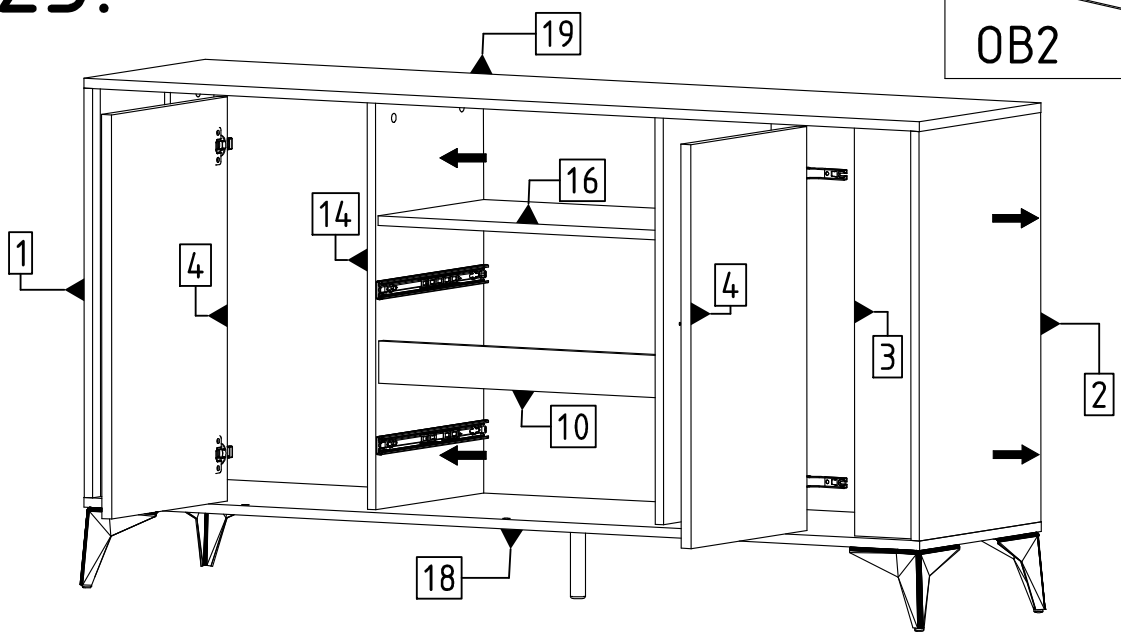


x2

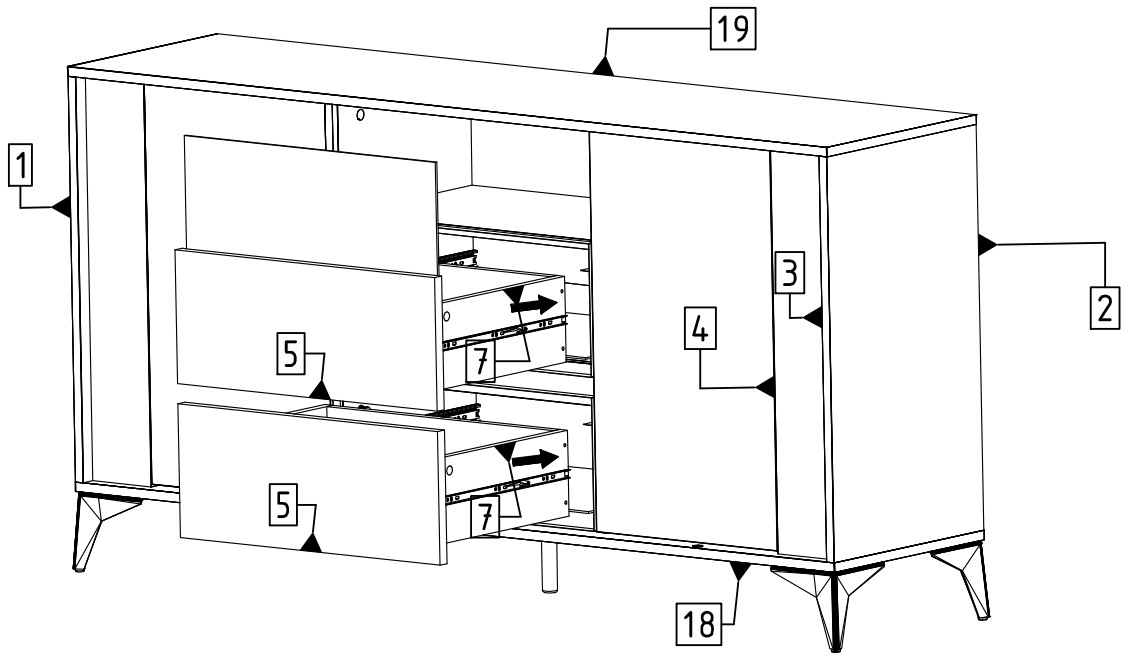




23.



24.



25.

