

EVEL

EVEL02

OP-71

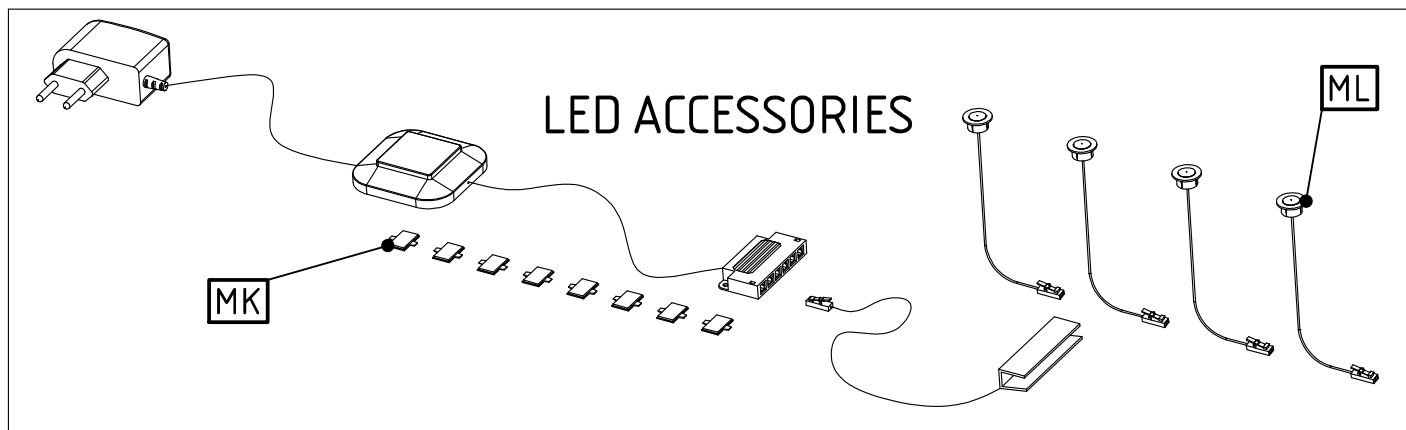
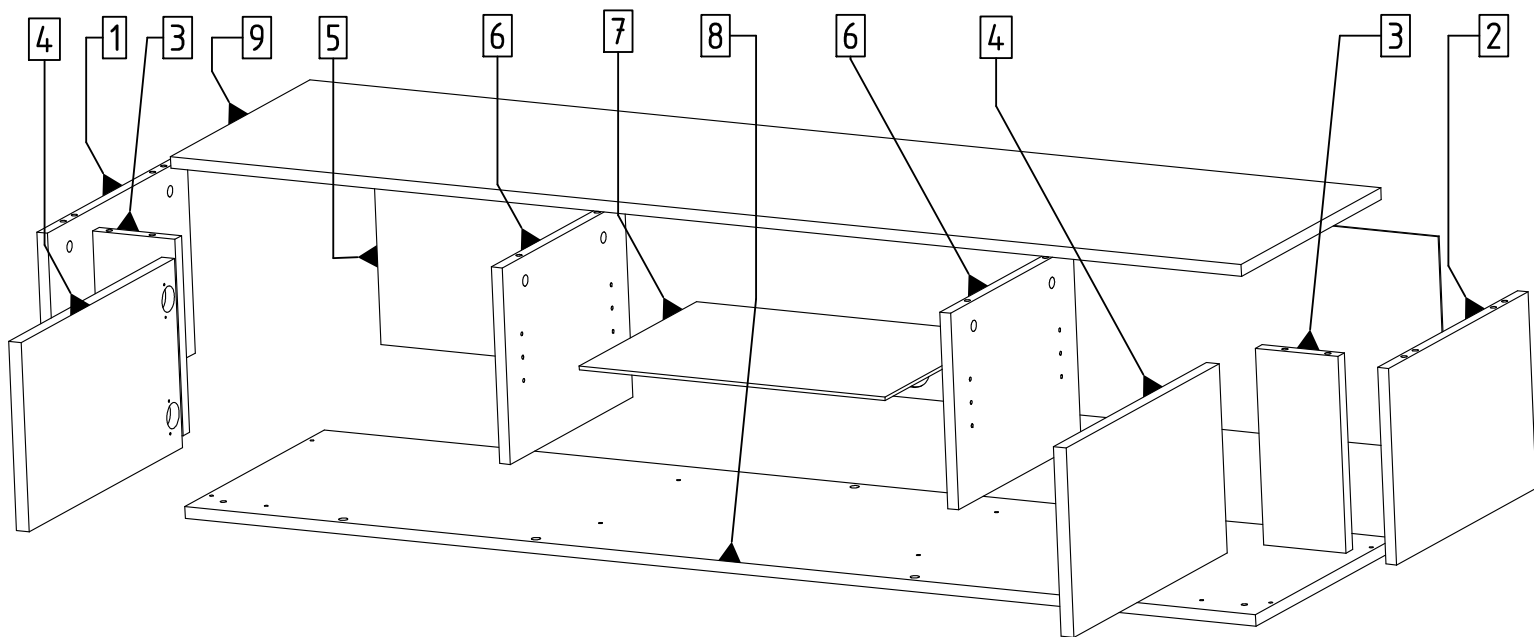
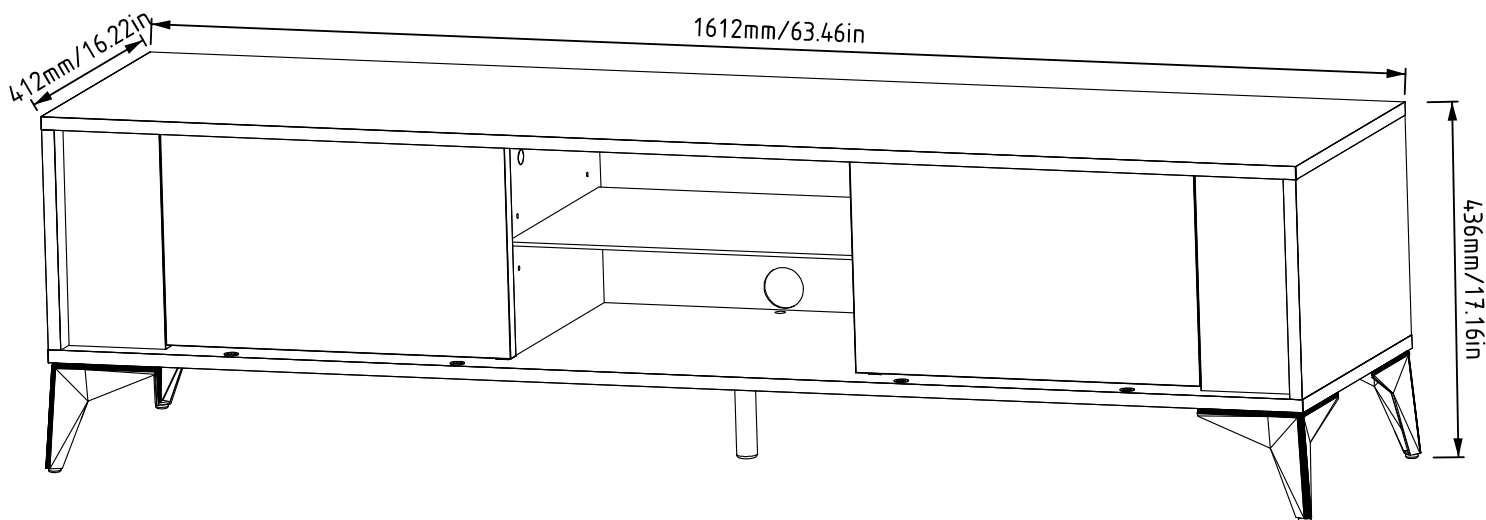
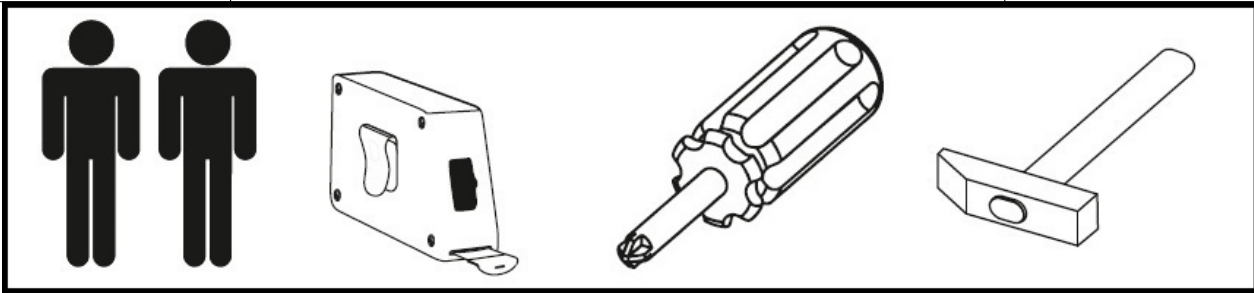
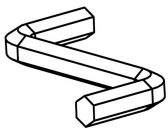
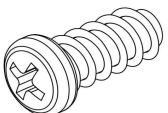
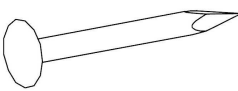
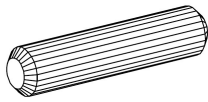
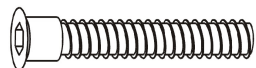

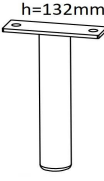
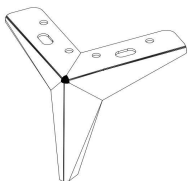
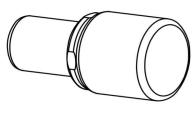
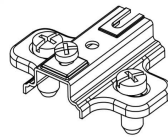
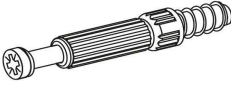

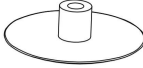
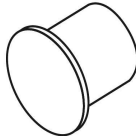
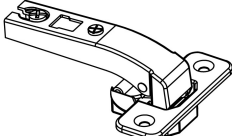


Table accessories

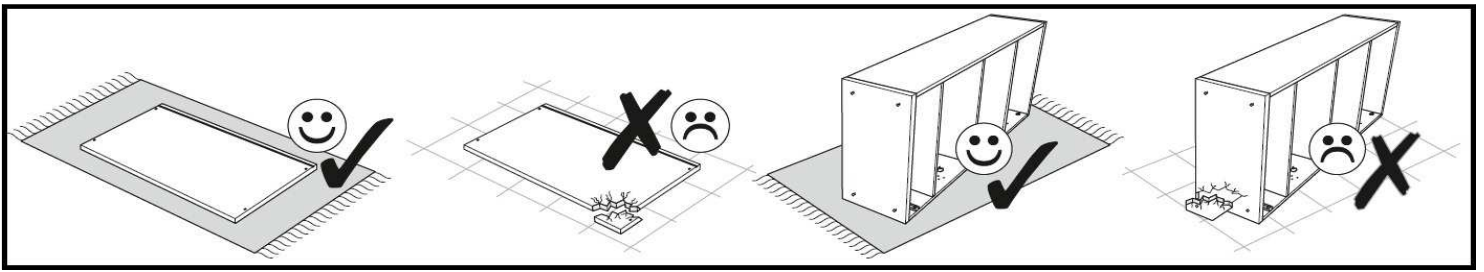
EVEL02

 A1	6,3 X 13  E13	 G	8 x 30  K	6,3 X 50  KN
15 x 12  M	h=132mm  N9	 NG	 PP3	 PRE
6 x 34 mm  T	4 x 16  W16	 Z	 Z5	 ZR0

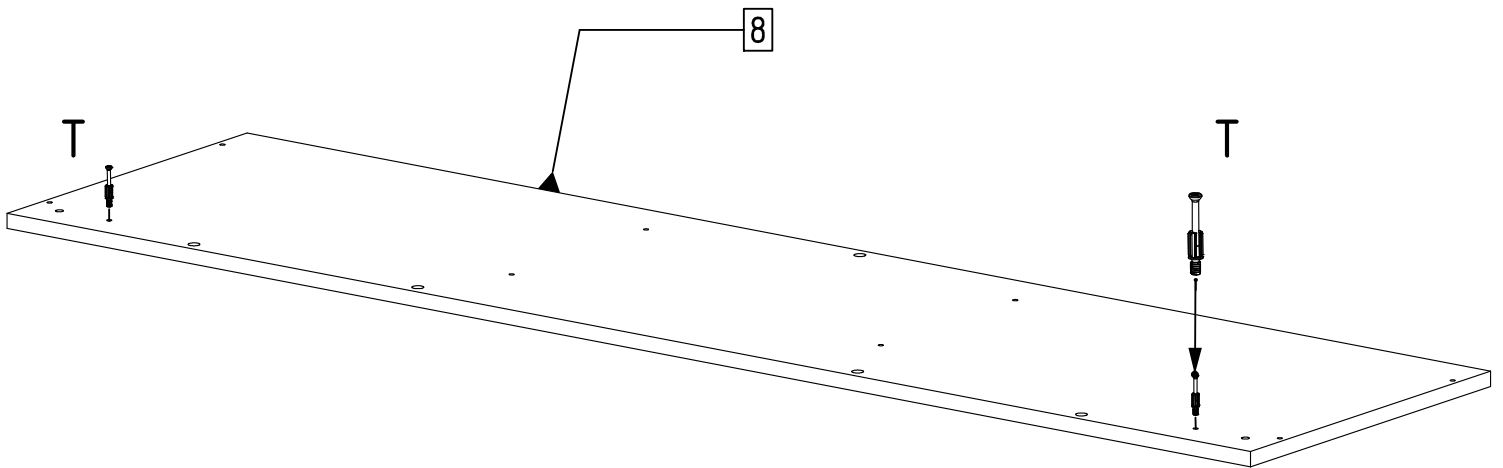
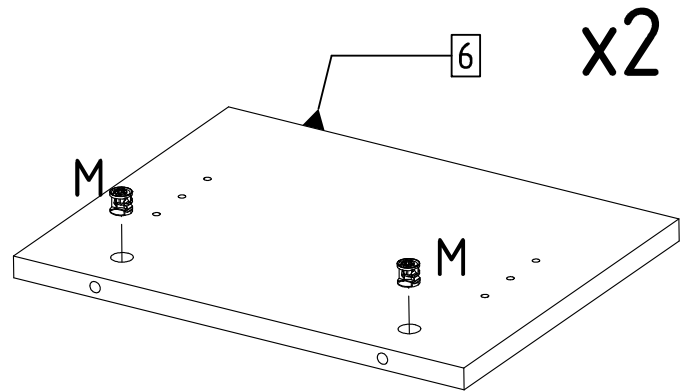
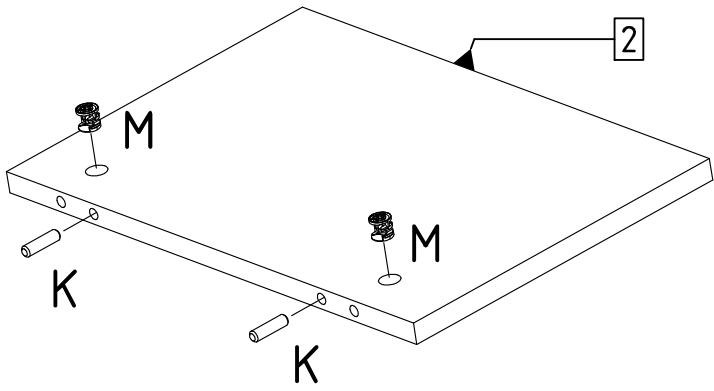
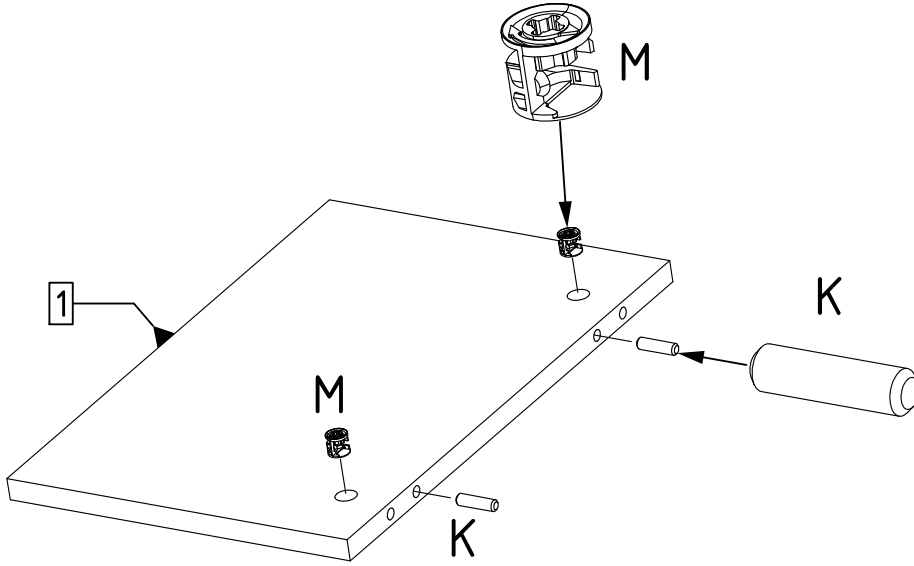
Elements				Accessories	
SYMBOL	LENGTH	WIDTH	QUANTITY	SYMBOL	QUANTITY
BL[1]	15.75	10.63	1	A1	1
BP[2]	15.75	10.63	1	E13	14
CB[3]	10.63	4.84	2	G	34
FT[4]	17.28	10.24	2	K	8
PC[5]	62.72	11.65	1	KN	8
PPIO[6]	13.82	10.63	2	M	12
PS[7]	17.99	13.23	1	N9	1
WD[8]	62.99	15.75	1	NG	4
WG[9]	62.99	15.75	1	PP3	4
				PRE	4
				T	12
				W16	8
				Z	12
				Z5	12
				ZR0	4



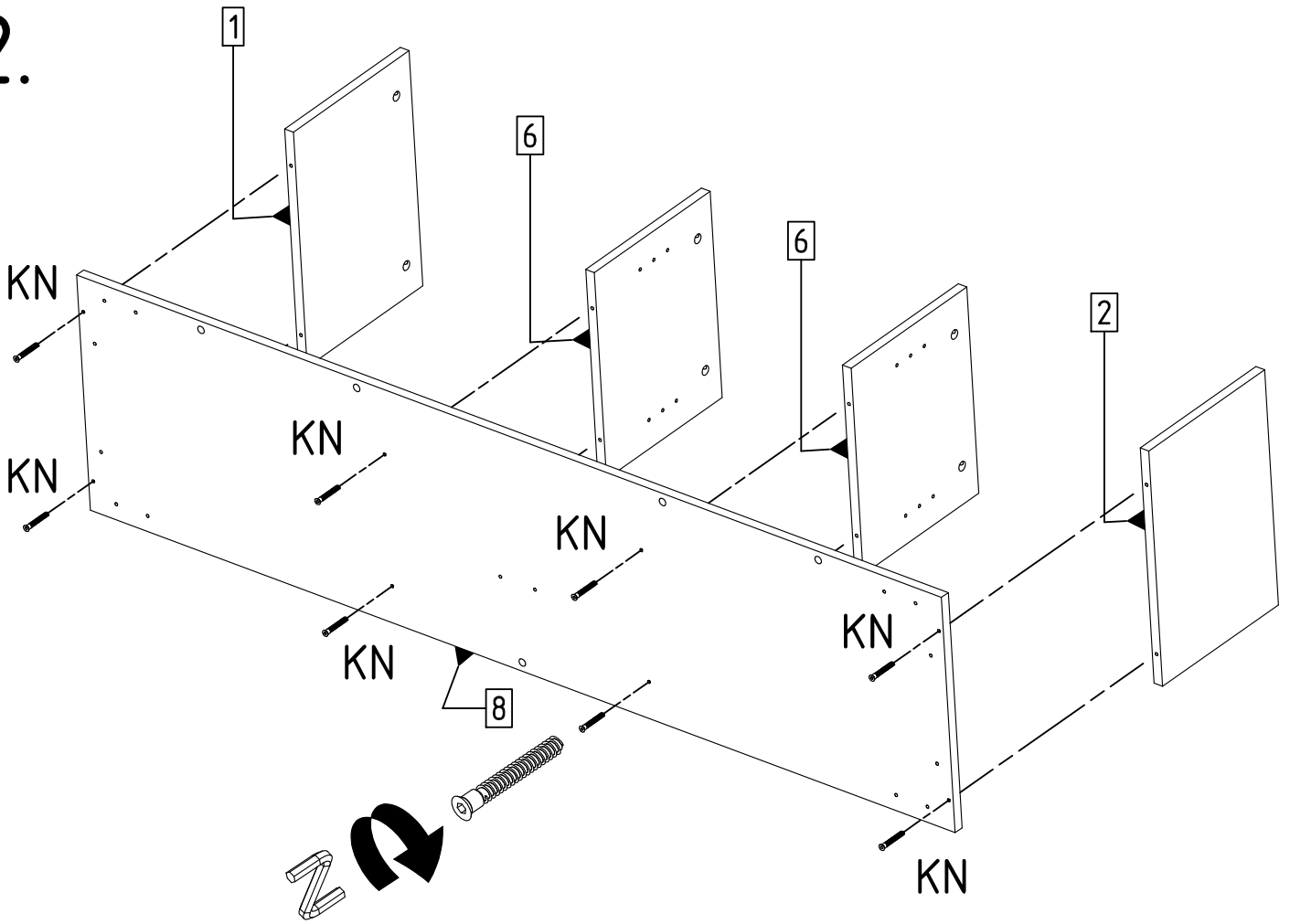
SCAN THIS QR CODE FOR
INSTRUCTION MANUALS
AND ASSEMBLY VIDEOS



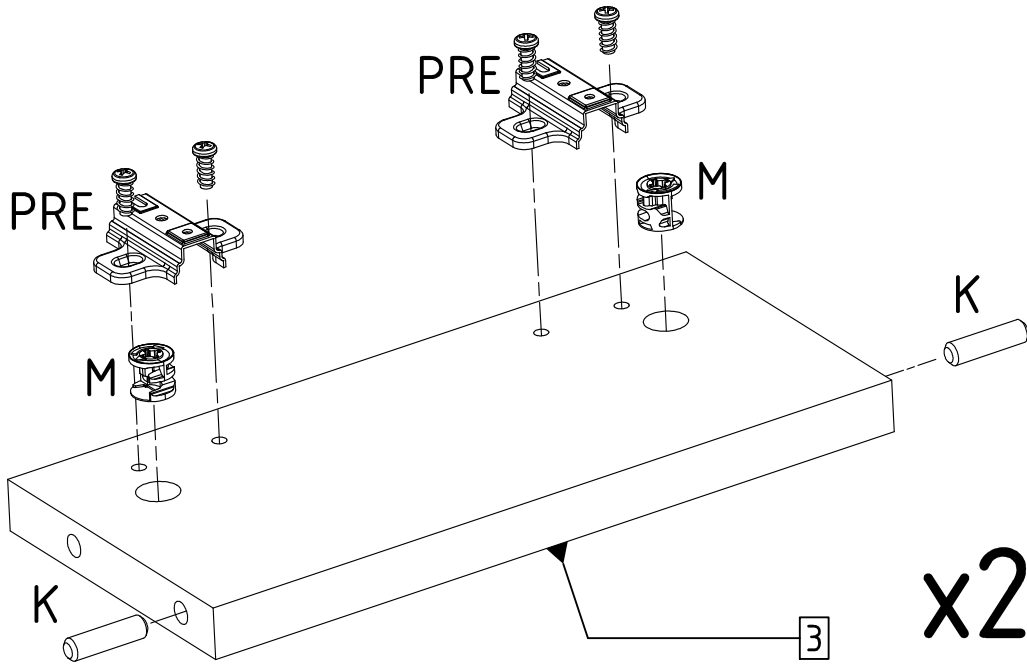
1.

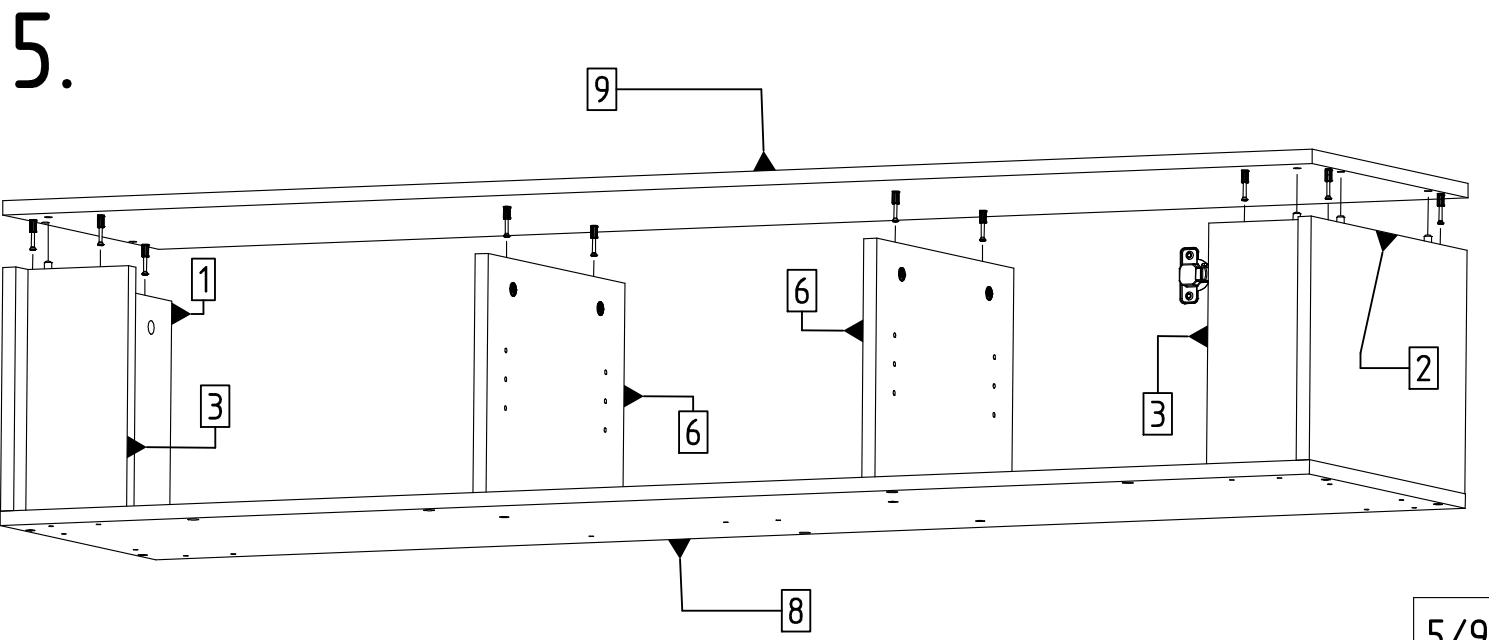
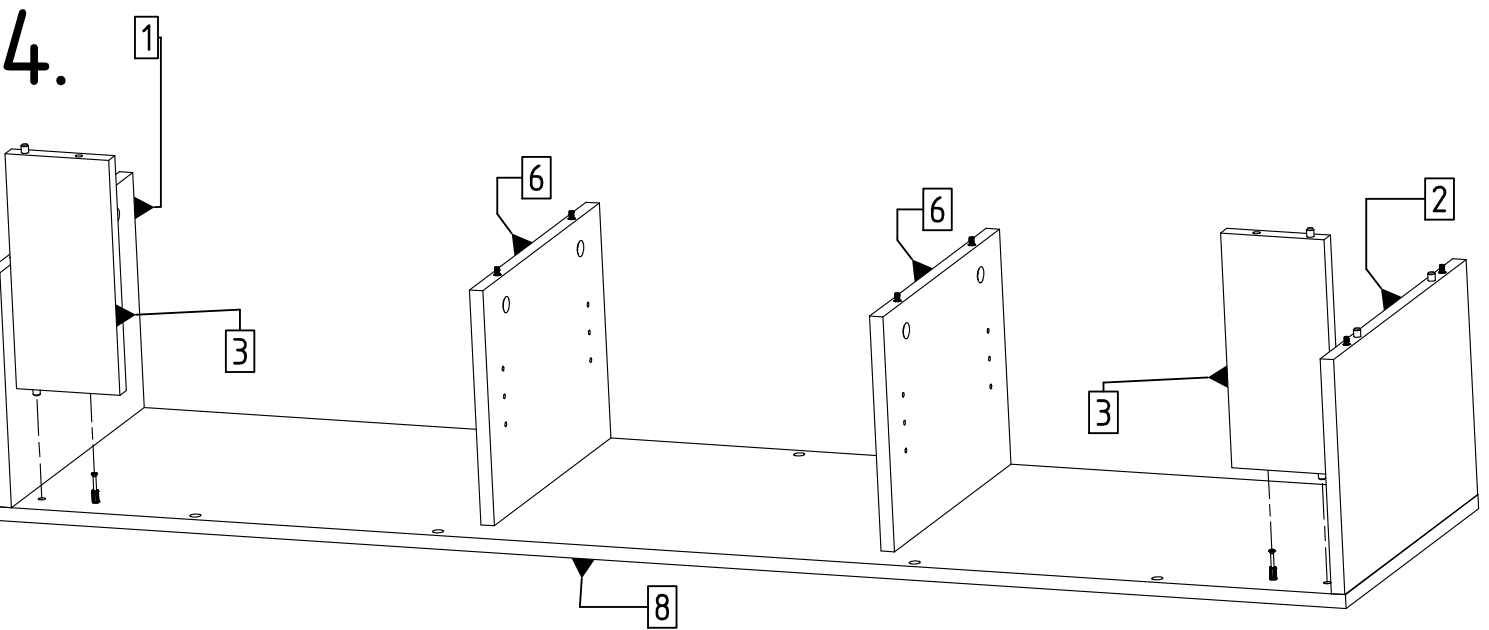
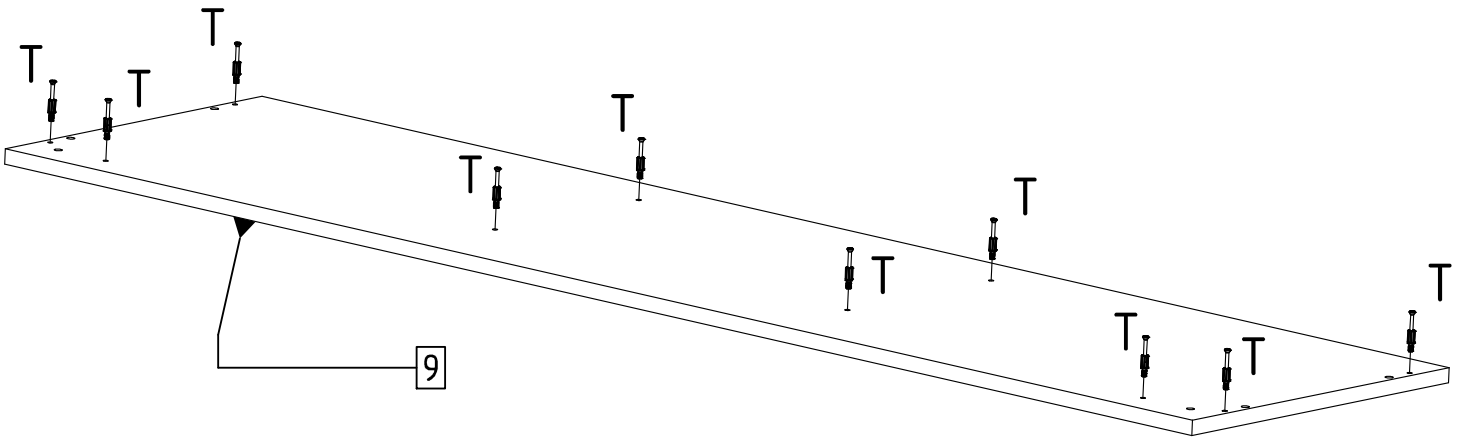
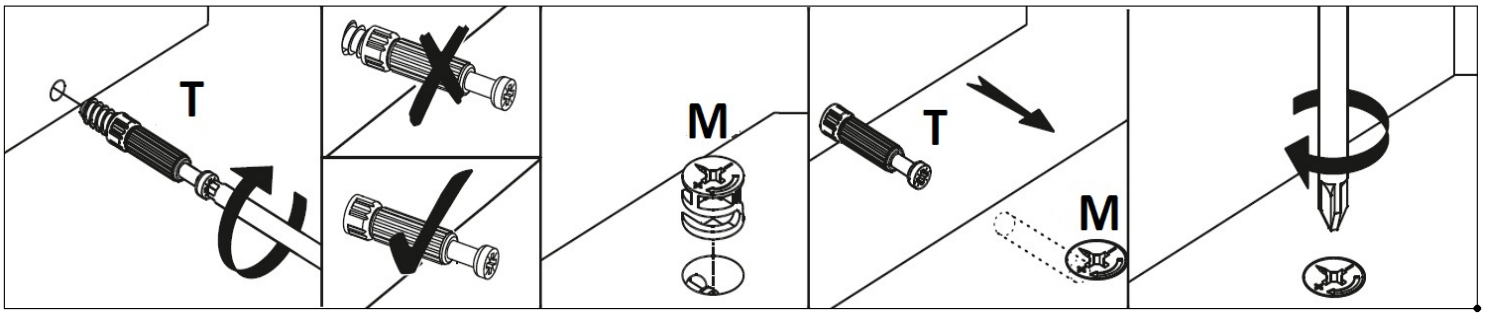


2.

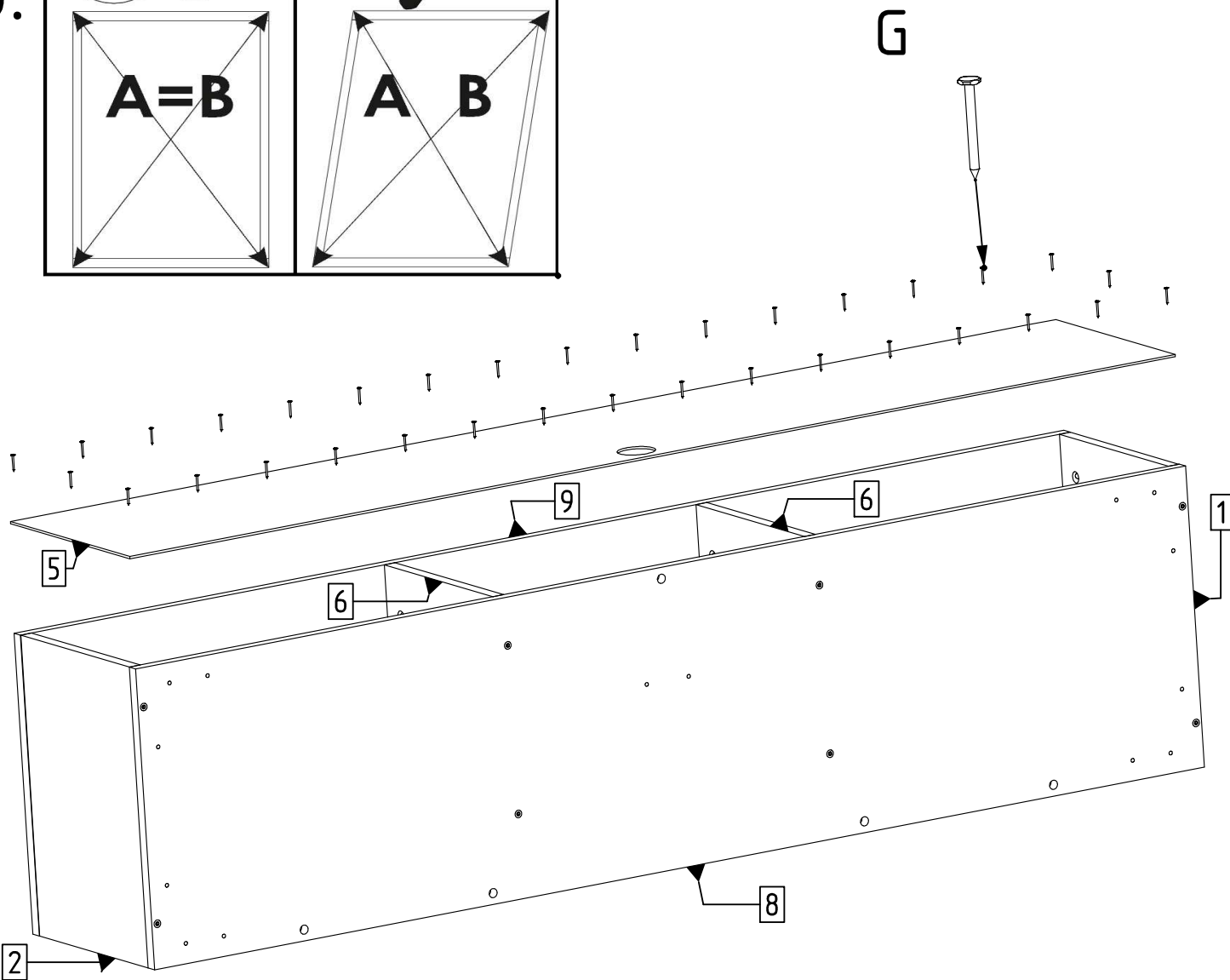
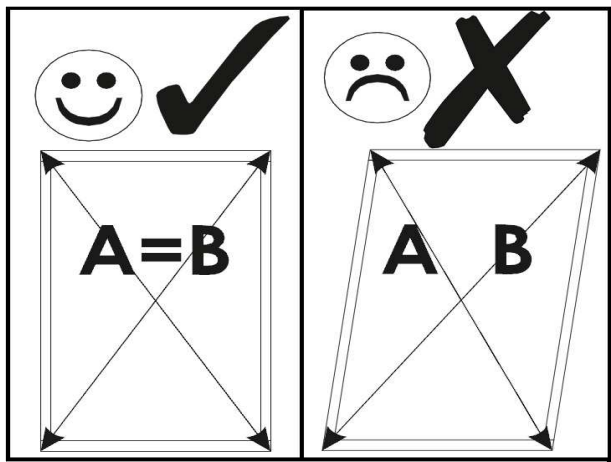


3.

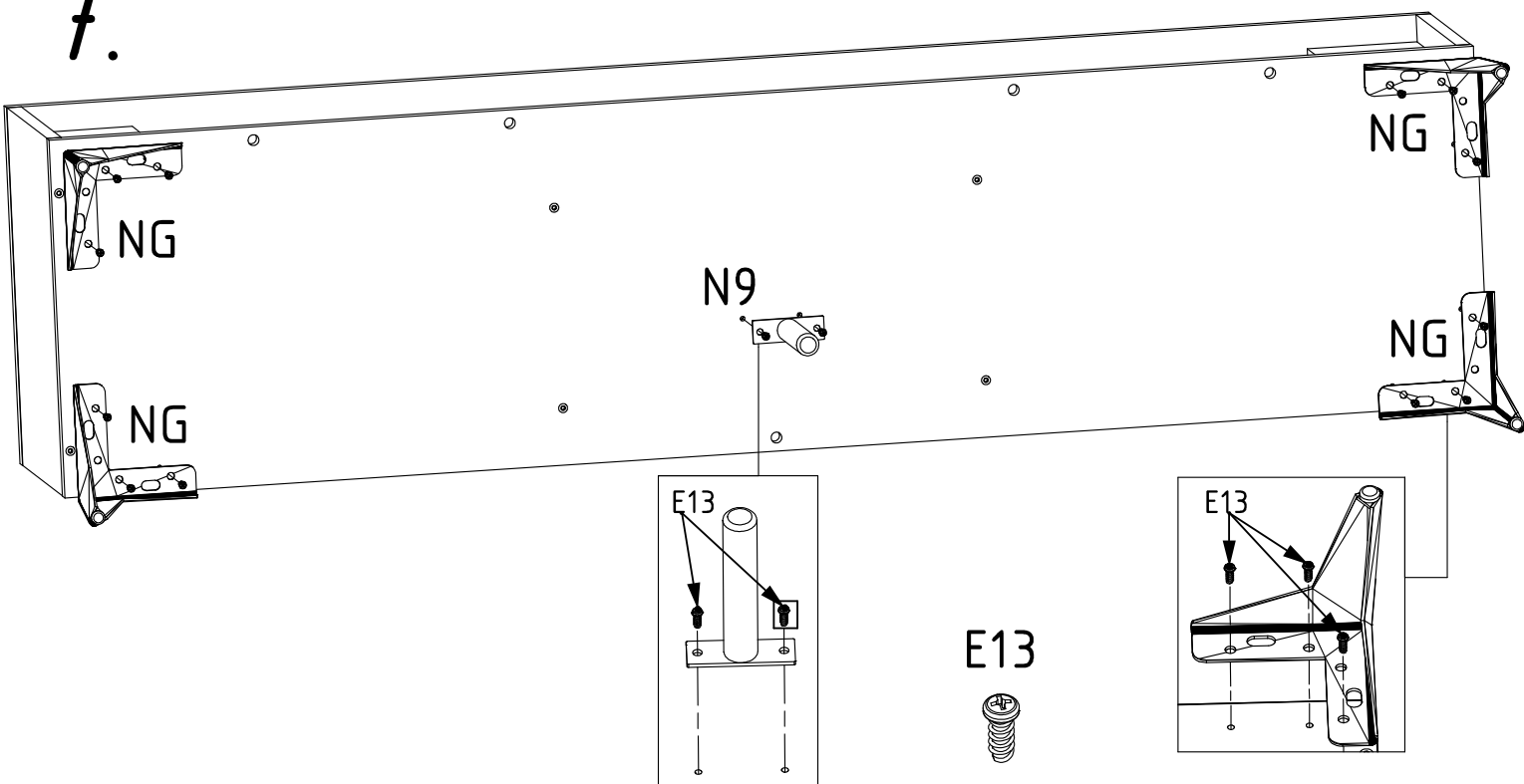




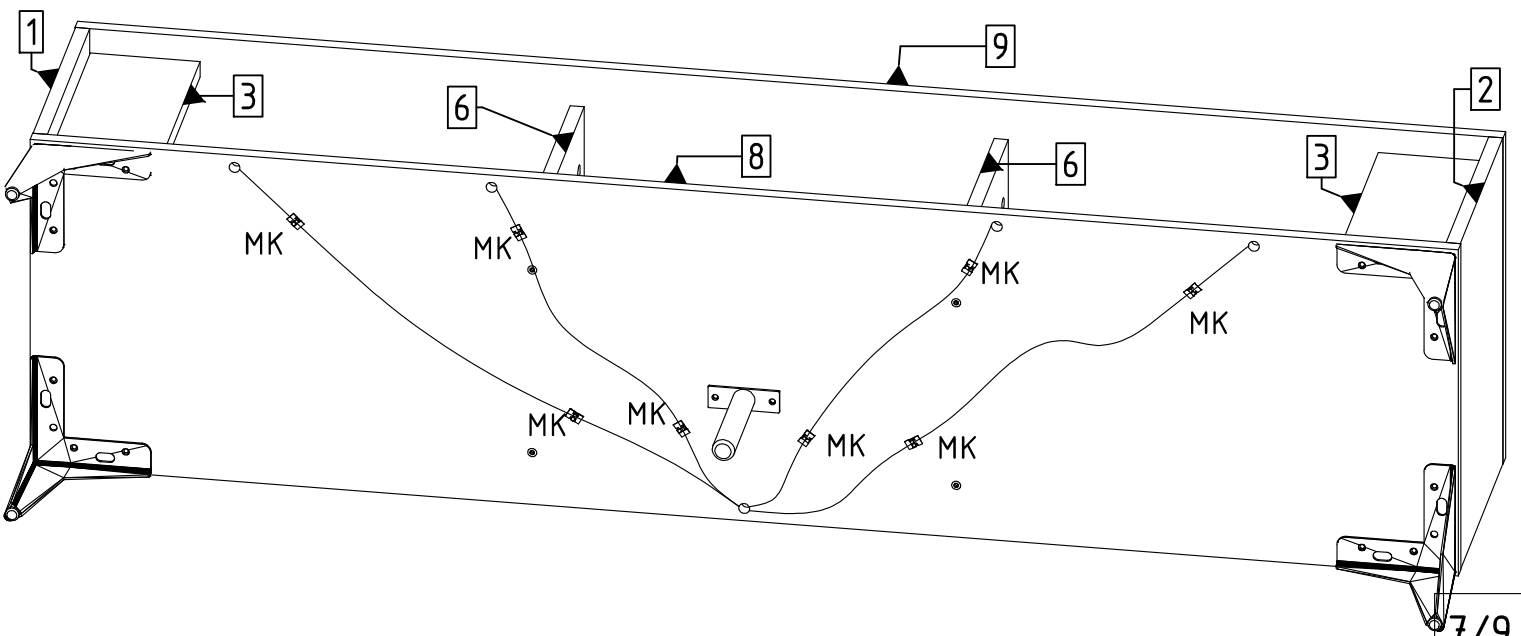
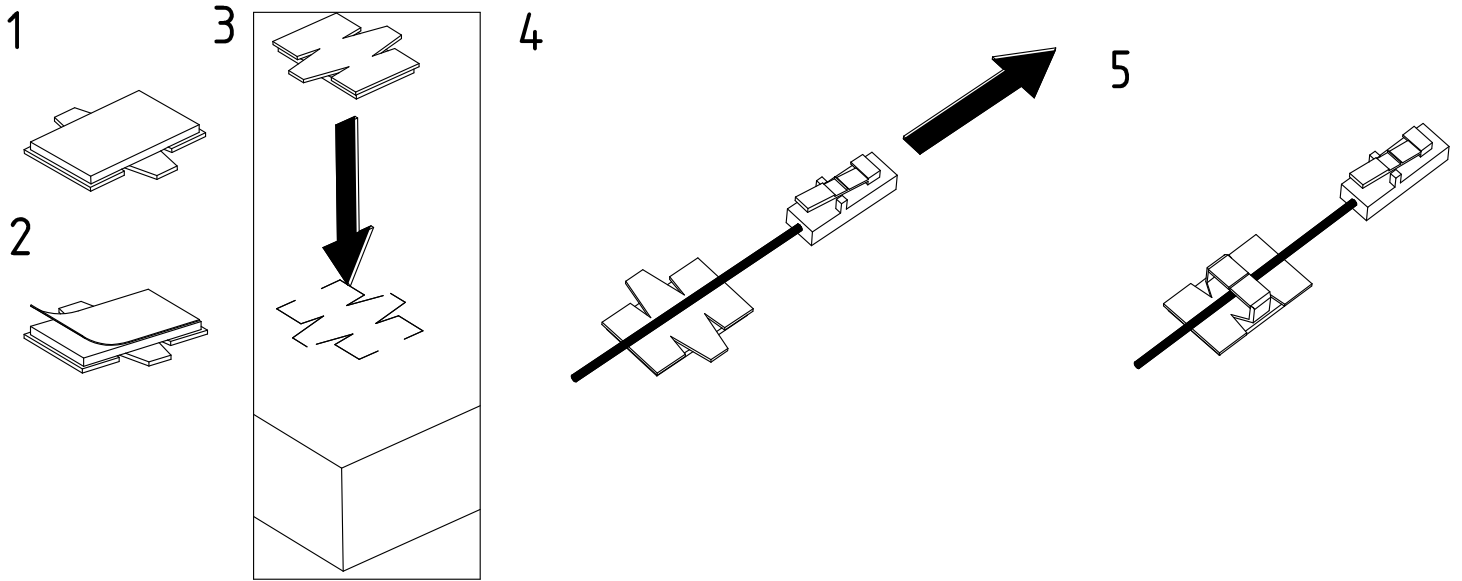
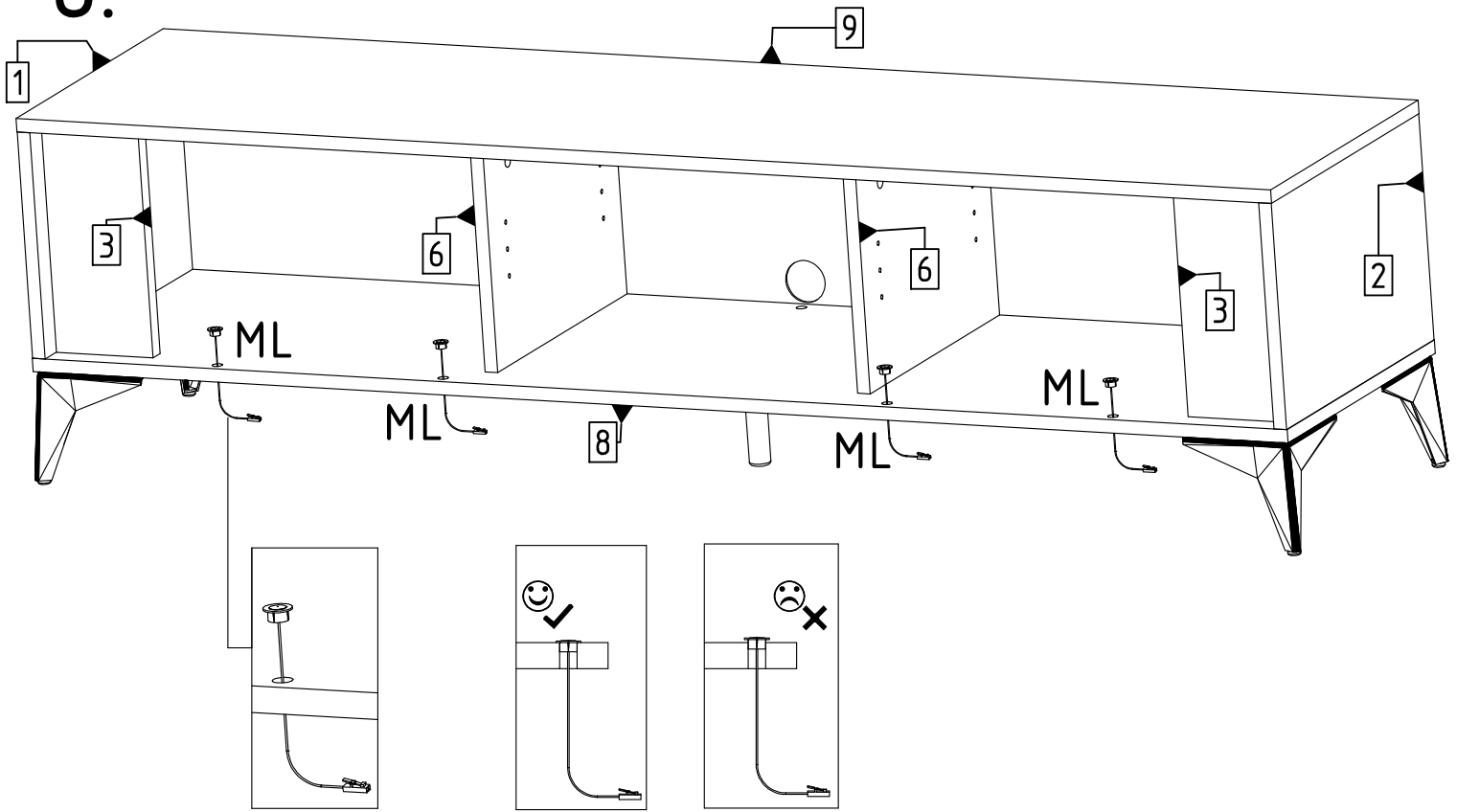
6.



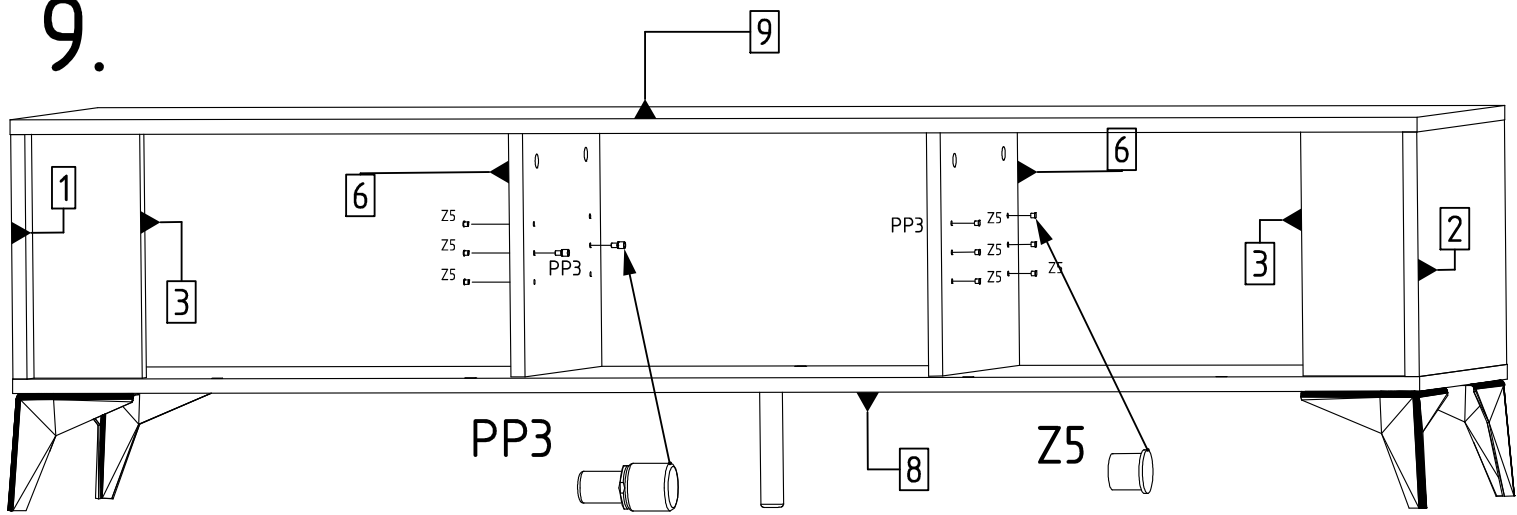
7.



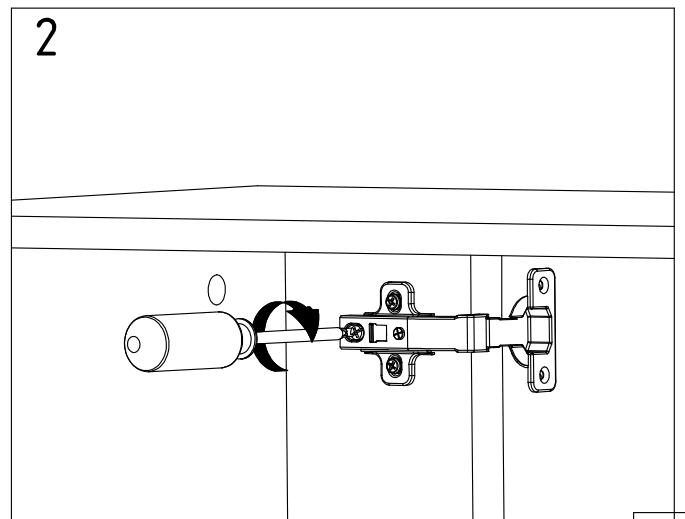
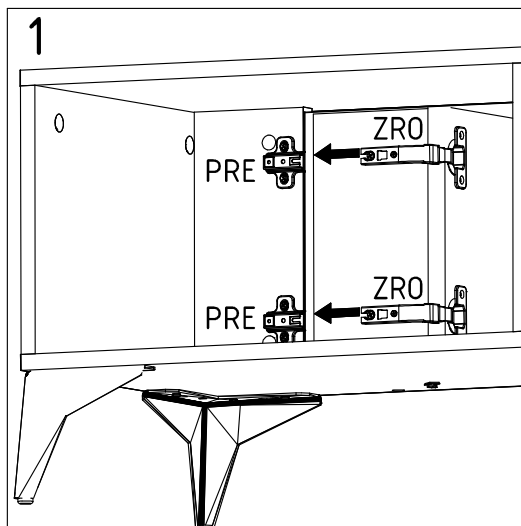
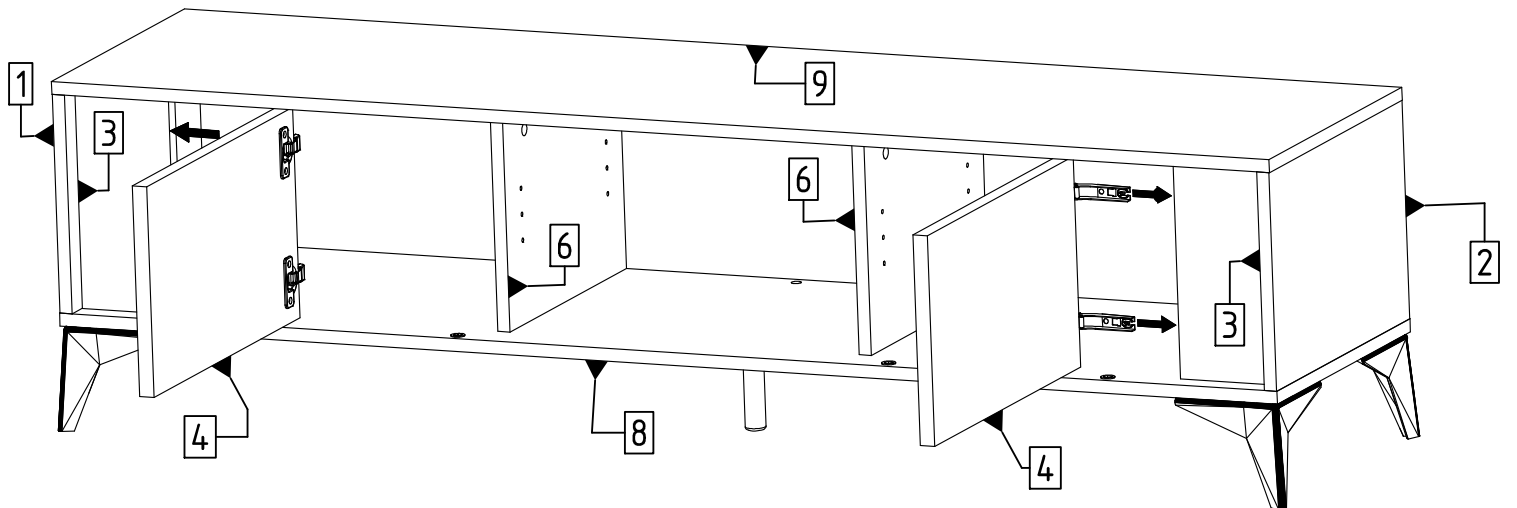
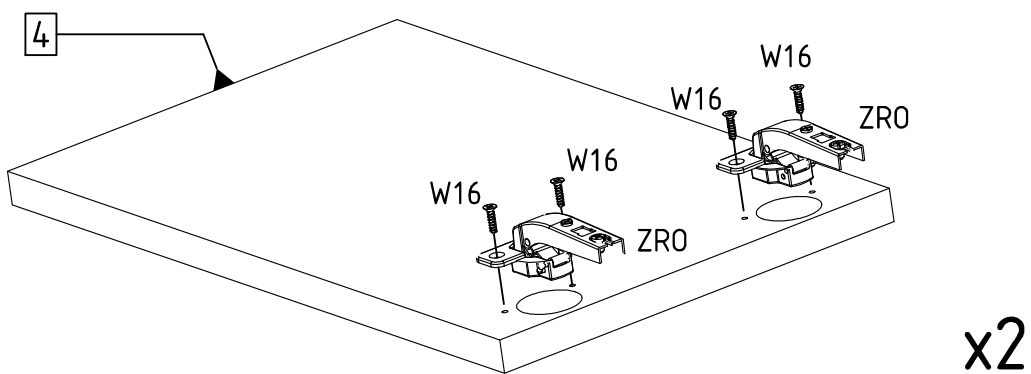
8.



9.



10.



11.

