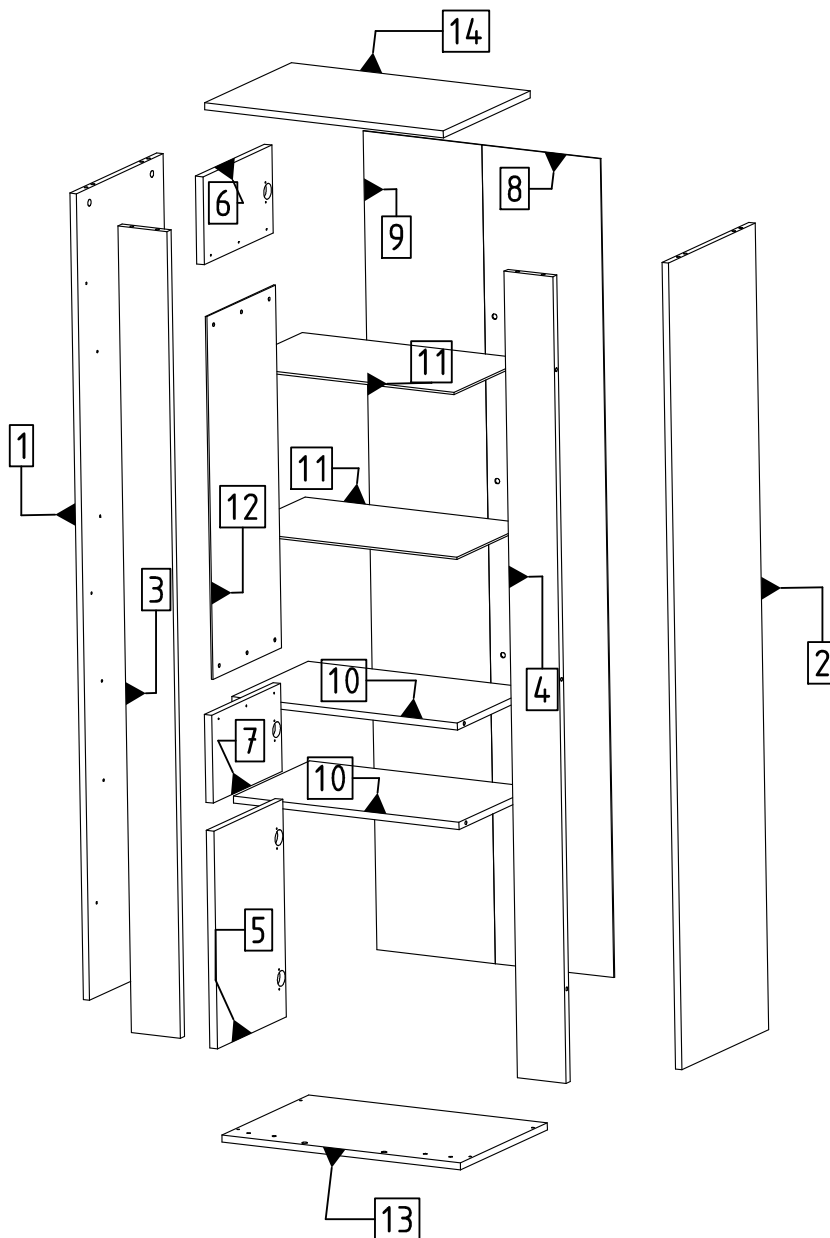
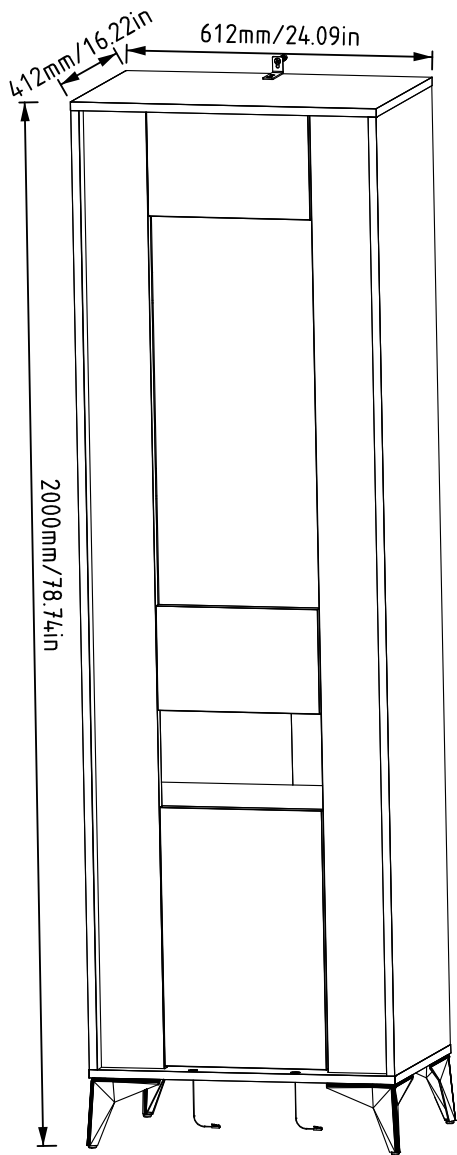
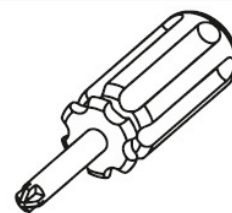
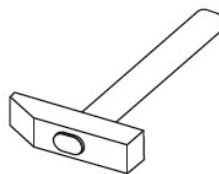
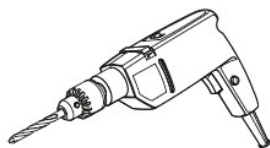
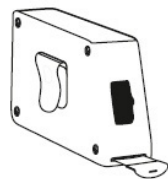
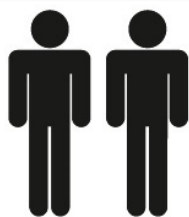


EVEL

EVEL01

OP-79, 80



SCAN THIS QR CODE FOR INSTRUCTION MANUALS AND ASSEMBLY VIDEOS

LED ACCESSORIES

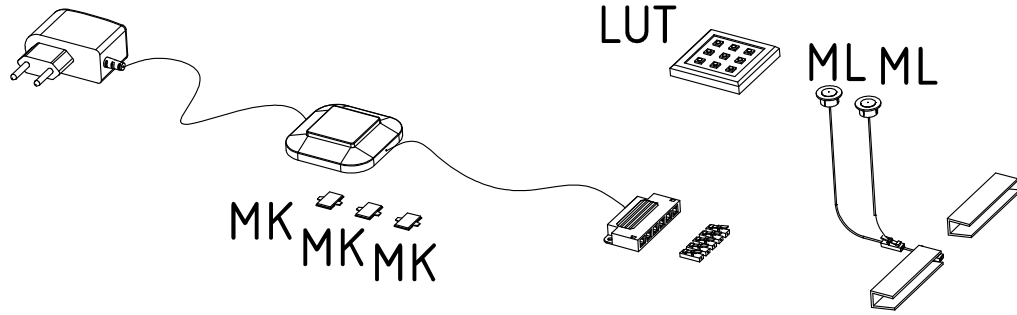
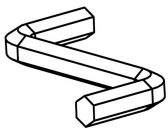
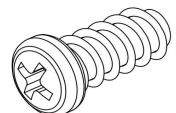
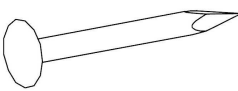
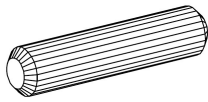
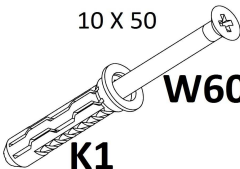
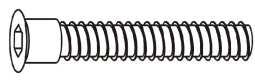
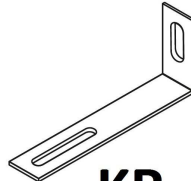

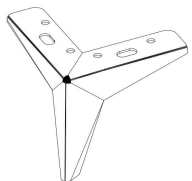
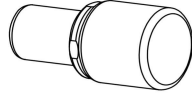
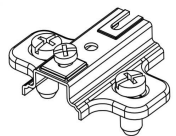
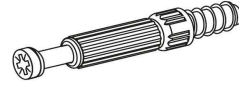
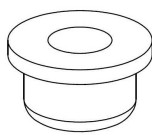
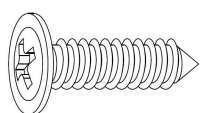

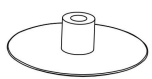
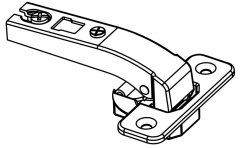
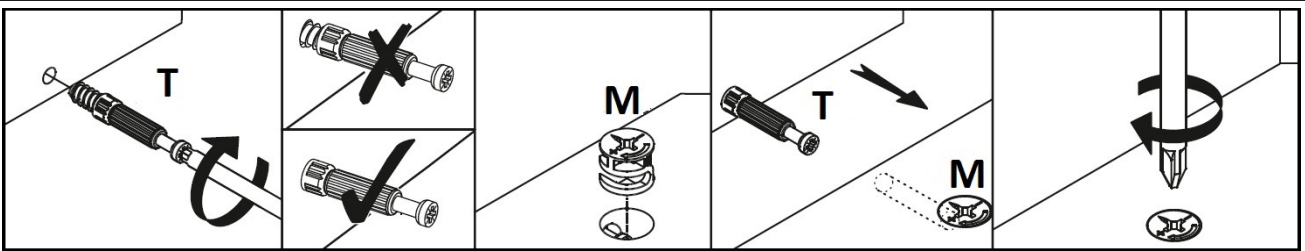


Table accessories

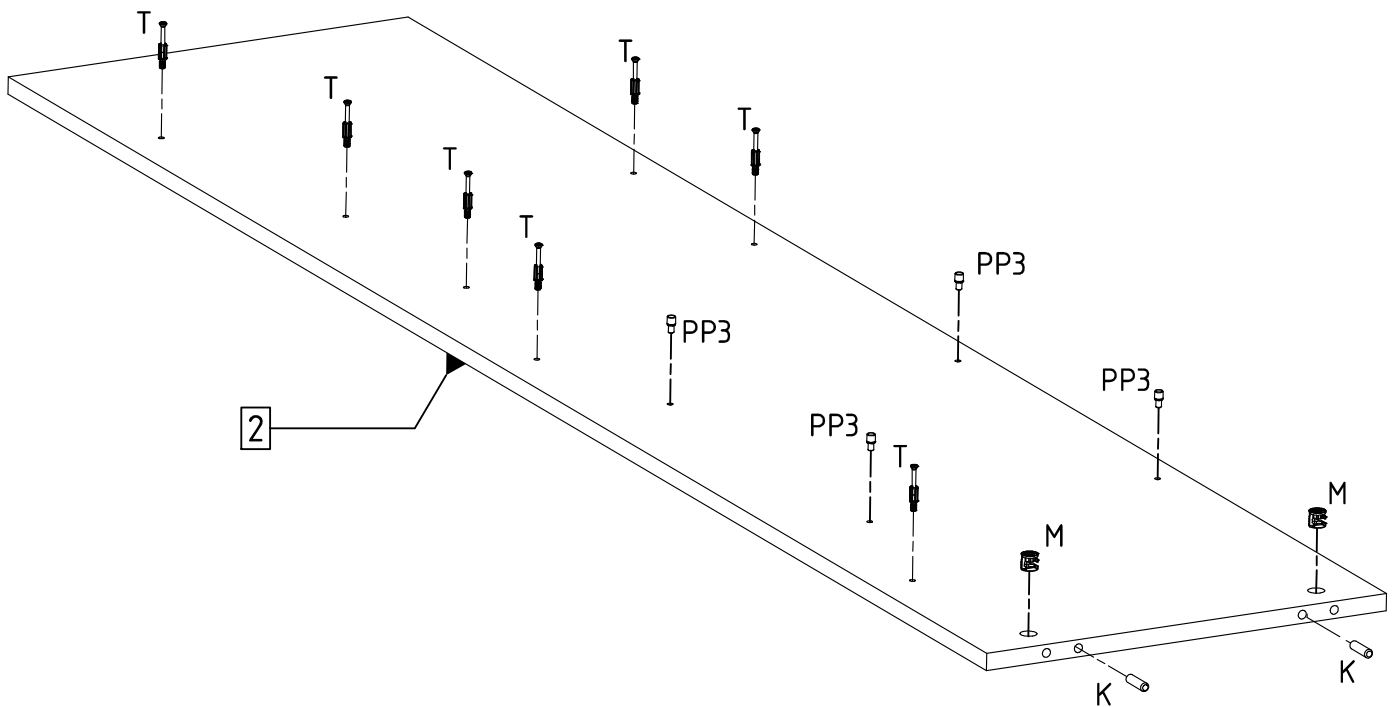
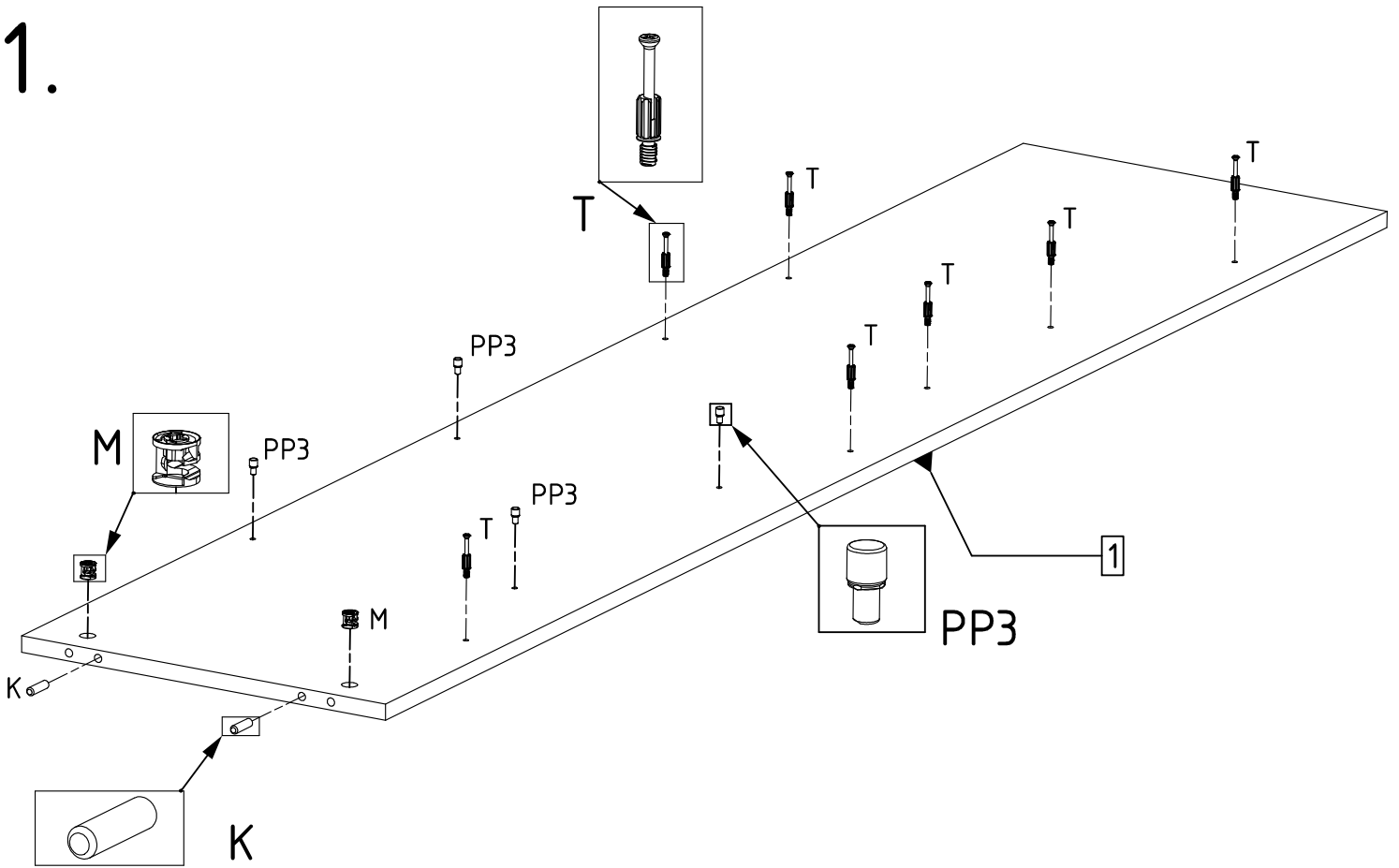
EVEL 01

 A1	6,3 X 13  E13	 G	8 x 30  K	10 X 50  W60 K1
6,3 X 50  KN	 KR	15 x 12  M	 NG	 PP3
 PRE	6 x 34 mm  T	 TP	UP 4 X 16mm  W10	4 x 16  W16
 Z	 ZRO			

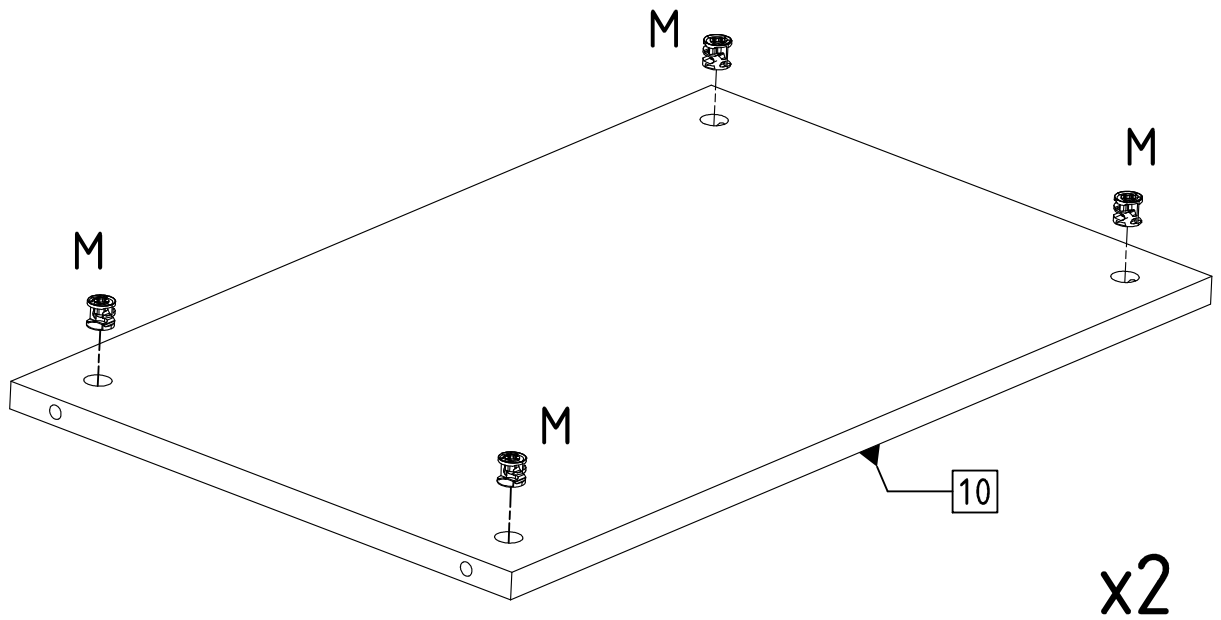
Elements				Accessories	
SYMBOL	LENGTH	WIDTH	QUANTITY	SYMBOL	QUANTITY
BL(1)	15.75	72.2	1	A1	1
BP(2)	15.75	72.2	1	E13	12
CB1(3)	72.2	4.84	1	G	54
CB2(4)	72.2	4.84	1	K	12
FT1(5)	19.49	12.48	1	K1	1
FT2(6)	12.48	7.87	1	KN	4
FT3(7)	12.48	7.87	1	KR	1
PC1(8)	11.73	73.31	1	M	18
PC2(9)	11.73	73.31	1	MK	3
PP0(10)	22.32	13.82	2	ML	2
PS(11)	22.24	13.23	2	NG	4
SF(12)	32.48	12.4	1	PP3	8
WD(13)	23.62	15.75	1	PRE	4
WG(14)	23.62	15.75	1	T	18
				TP	6
				W10	6
				W16	10
				W60	1
				Z	18
				ZRO	4



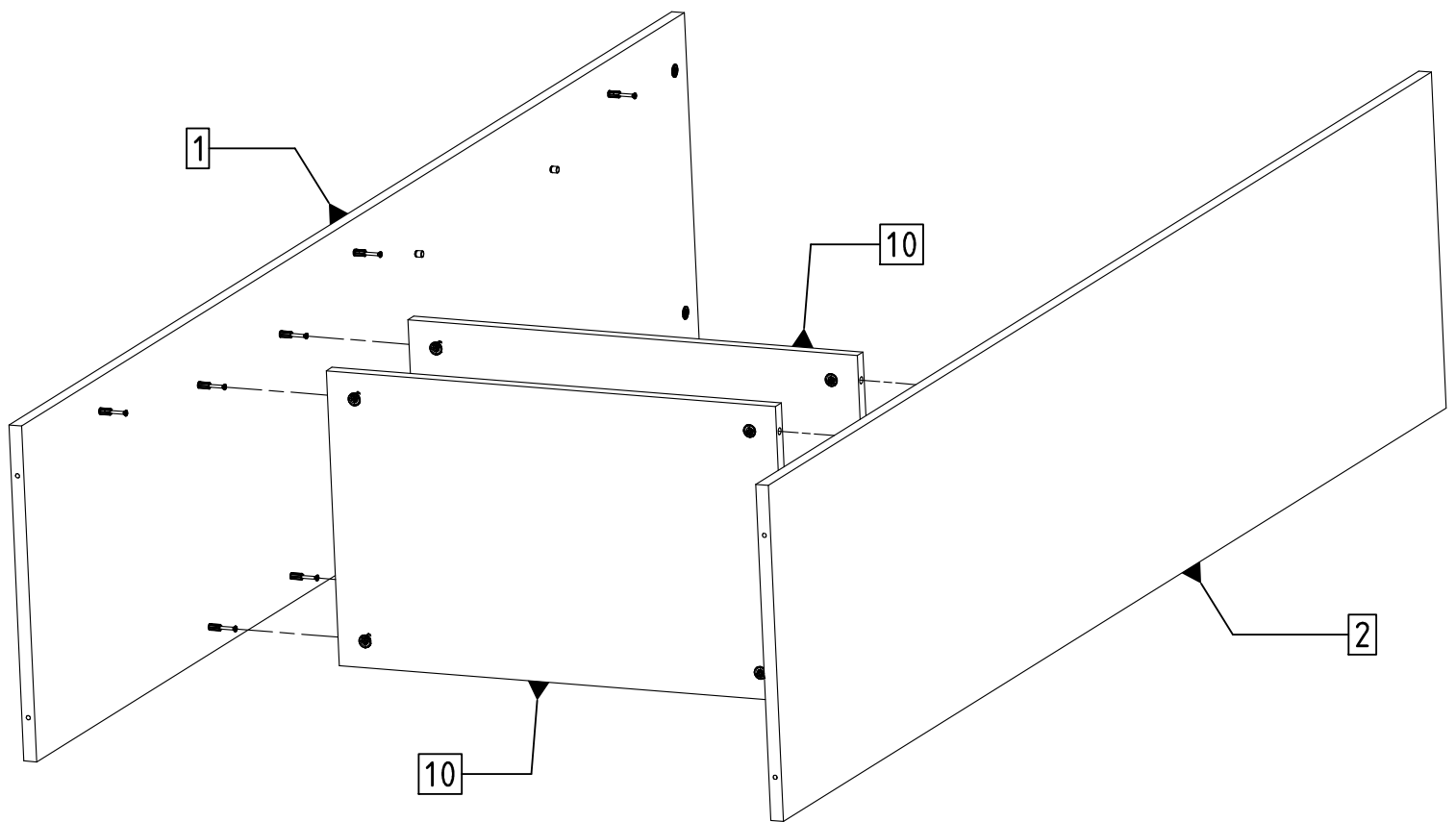
1.



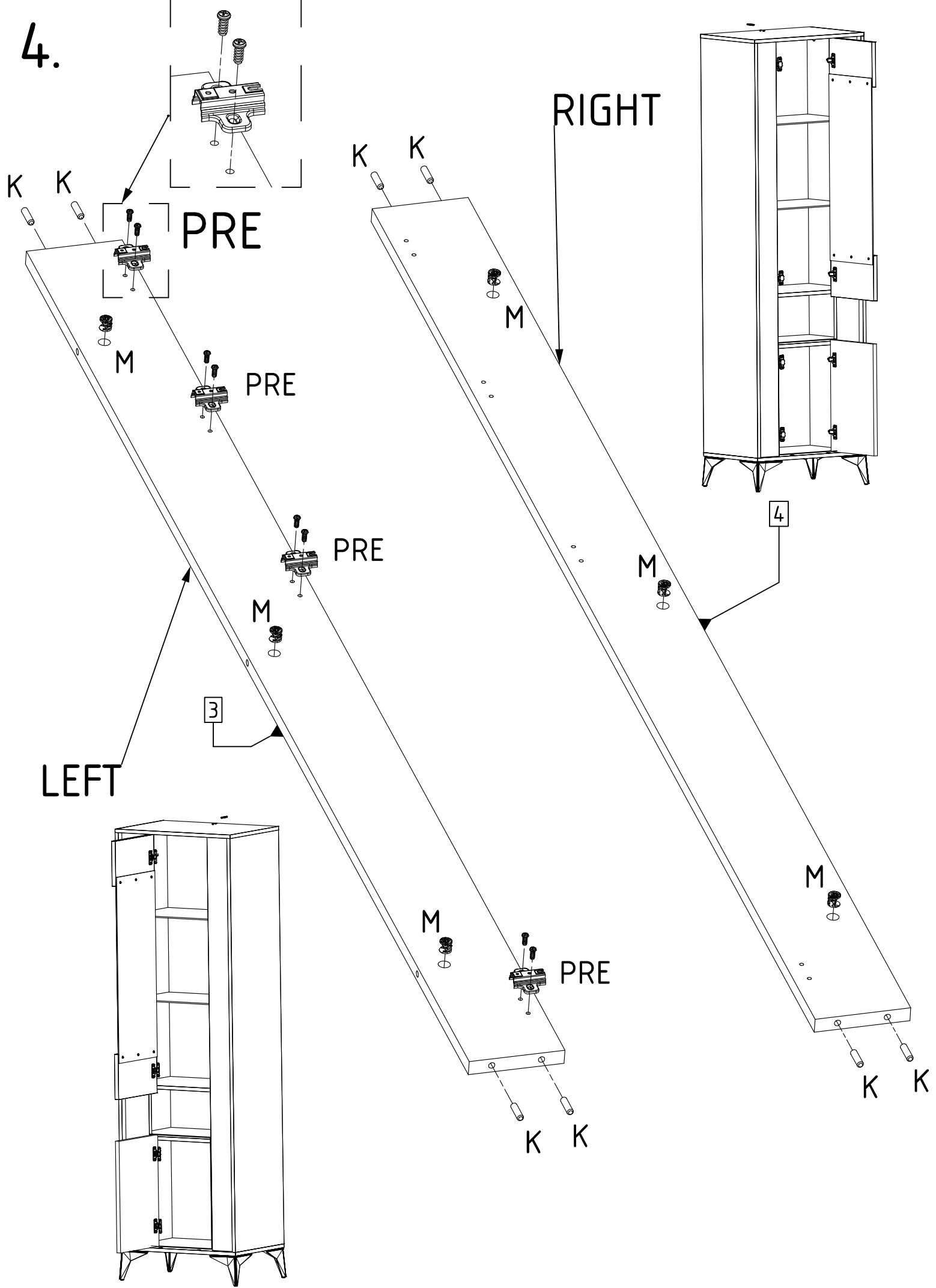
2.



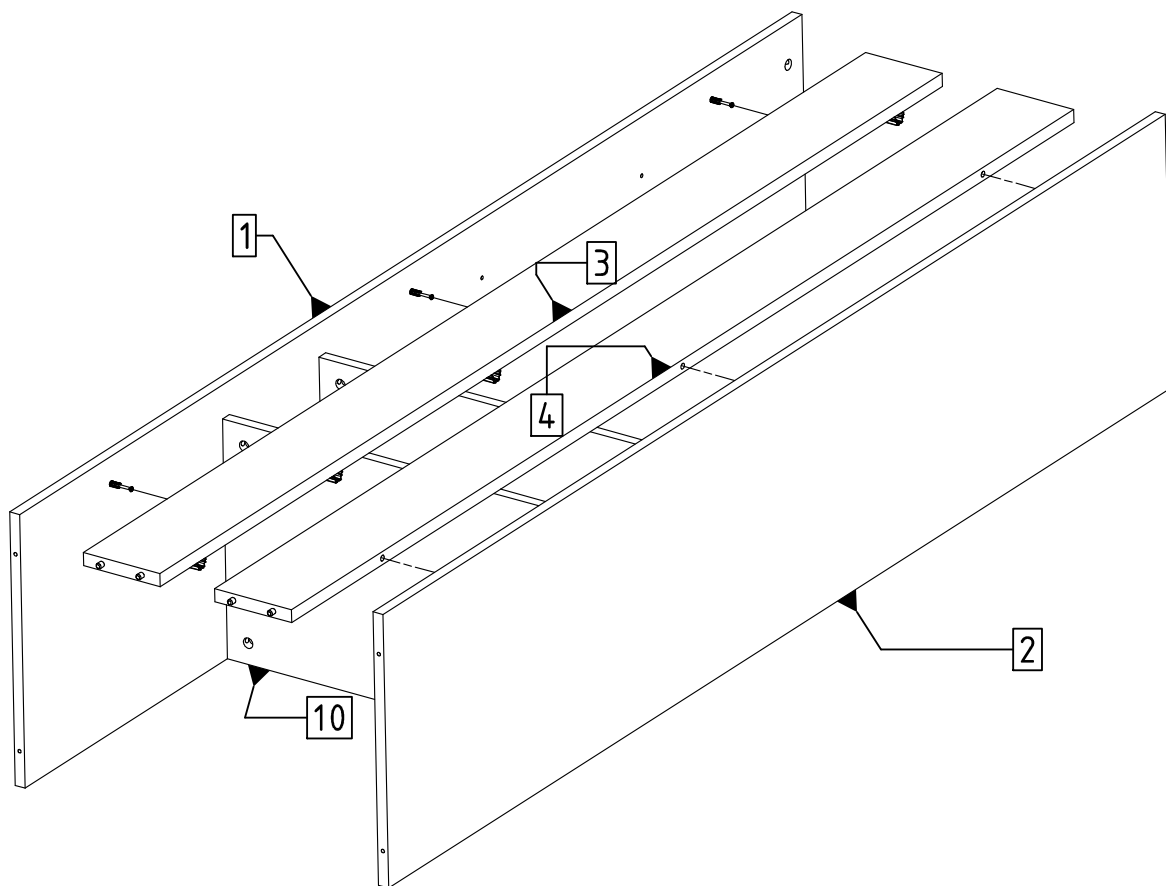
3.



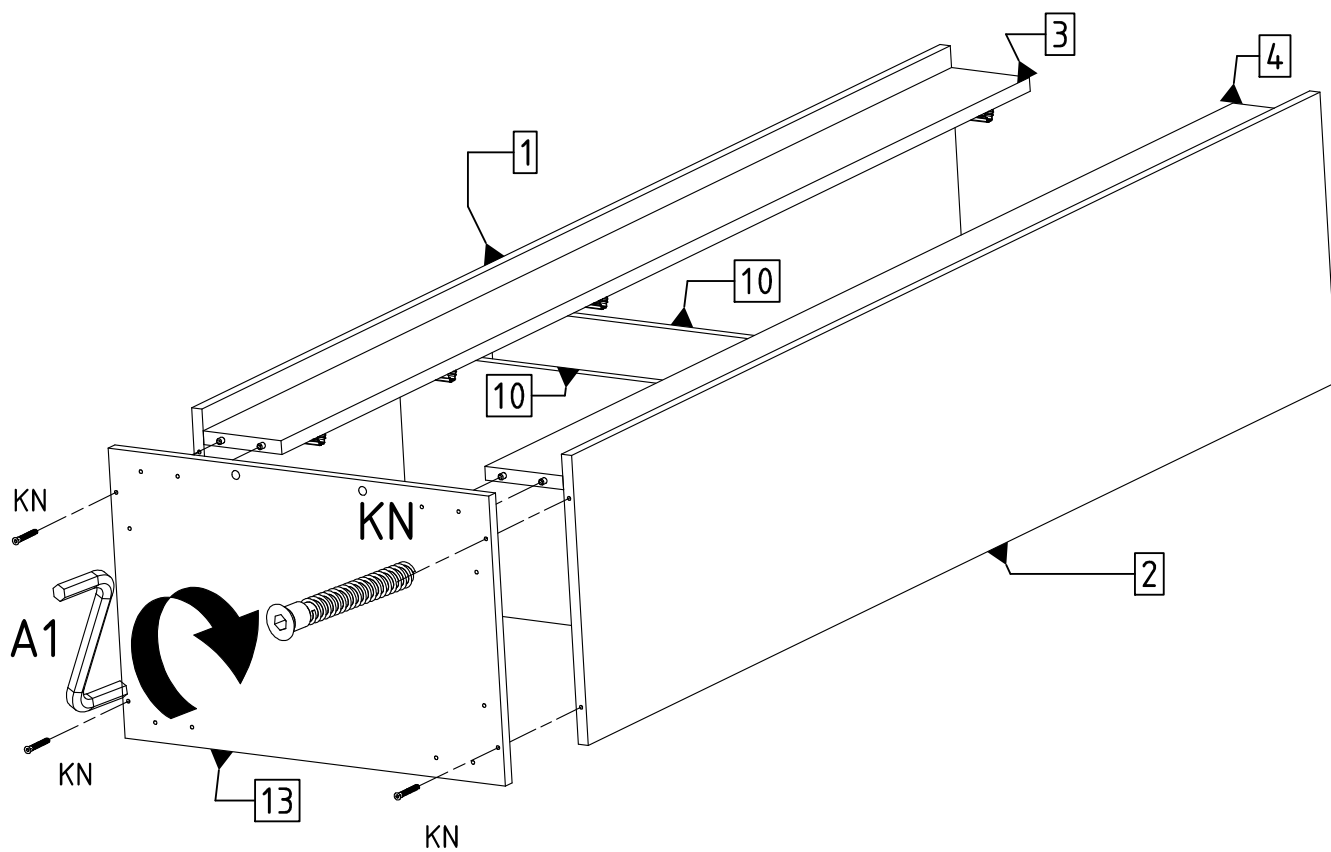
4.



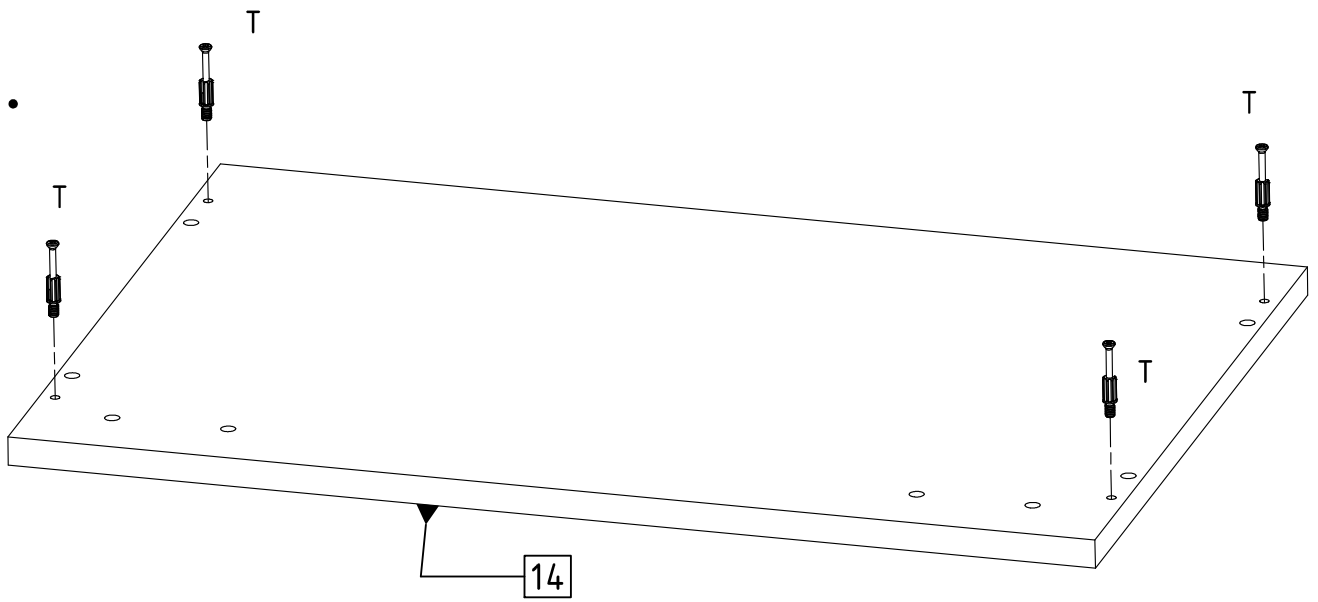
5.



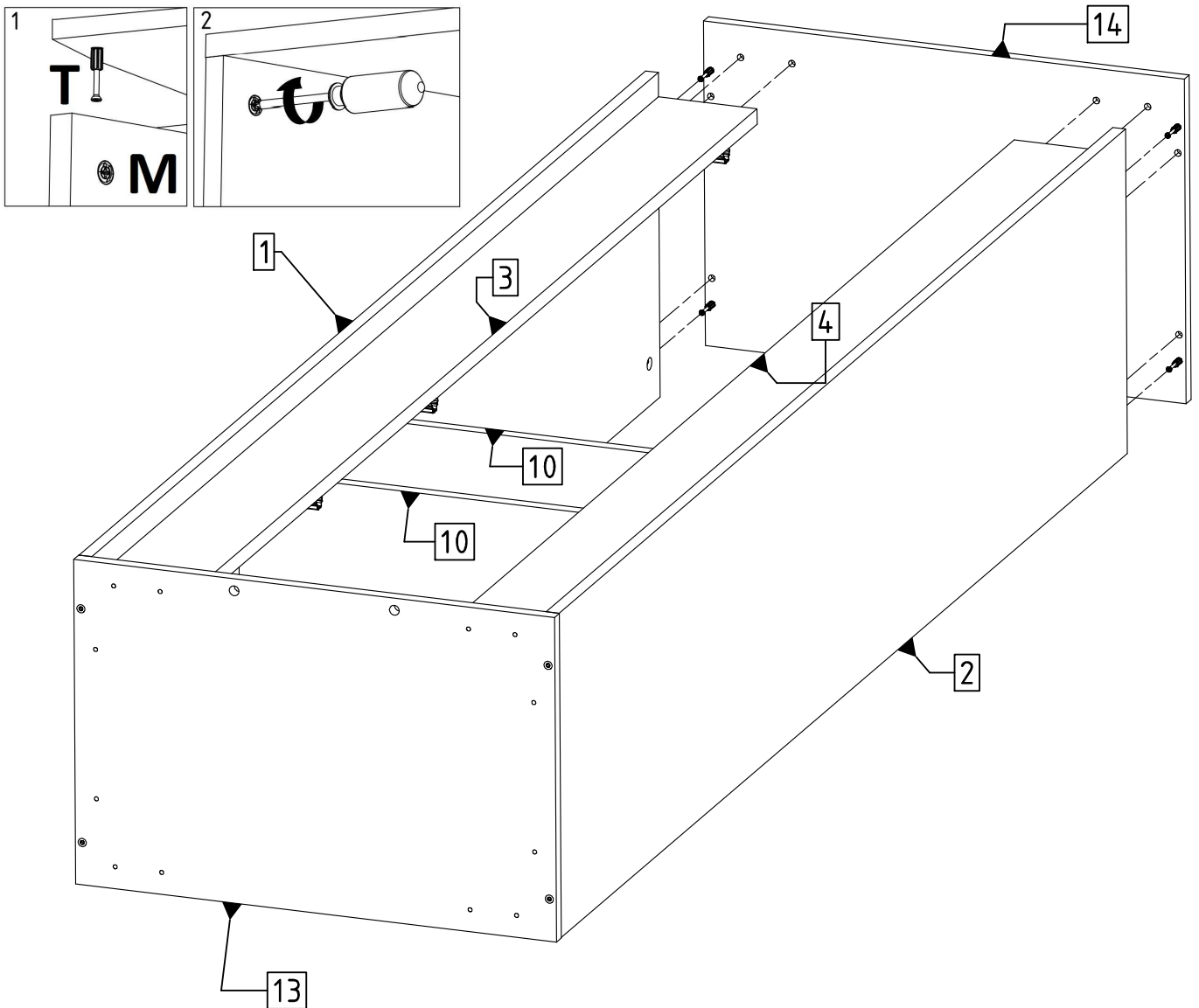
6.



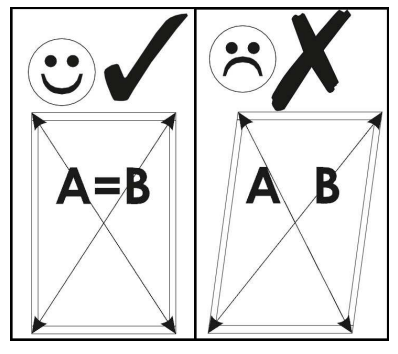
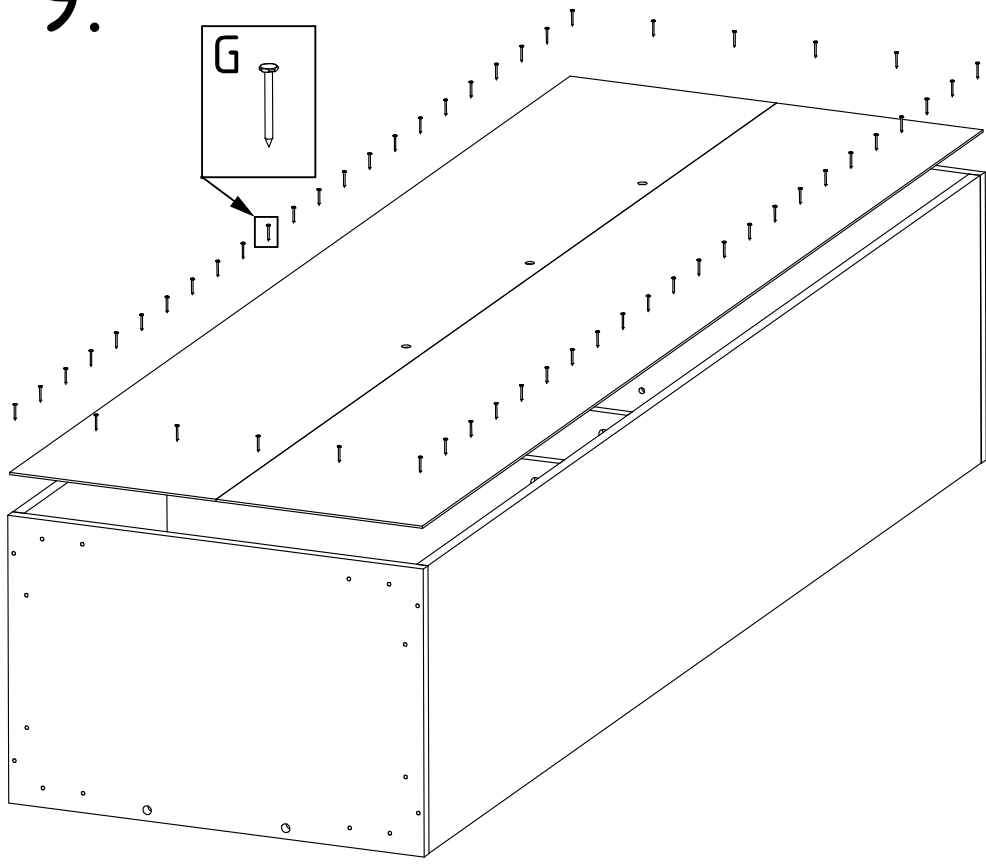
7.



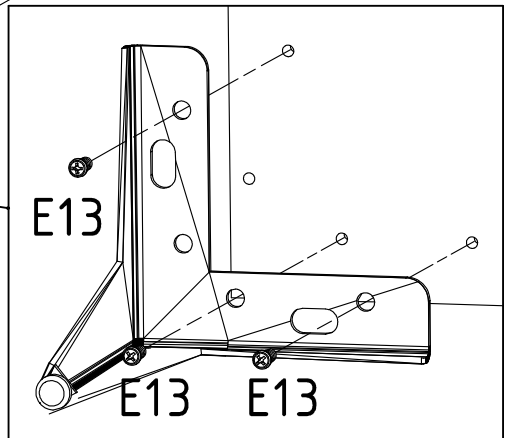
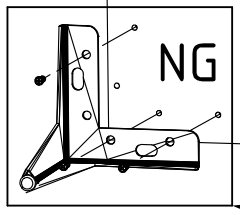
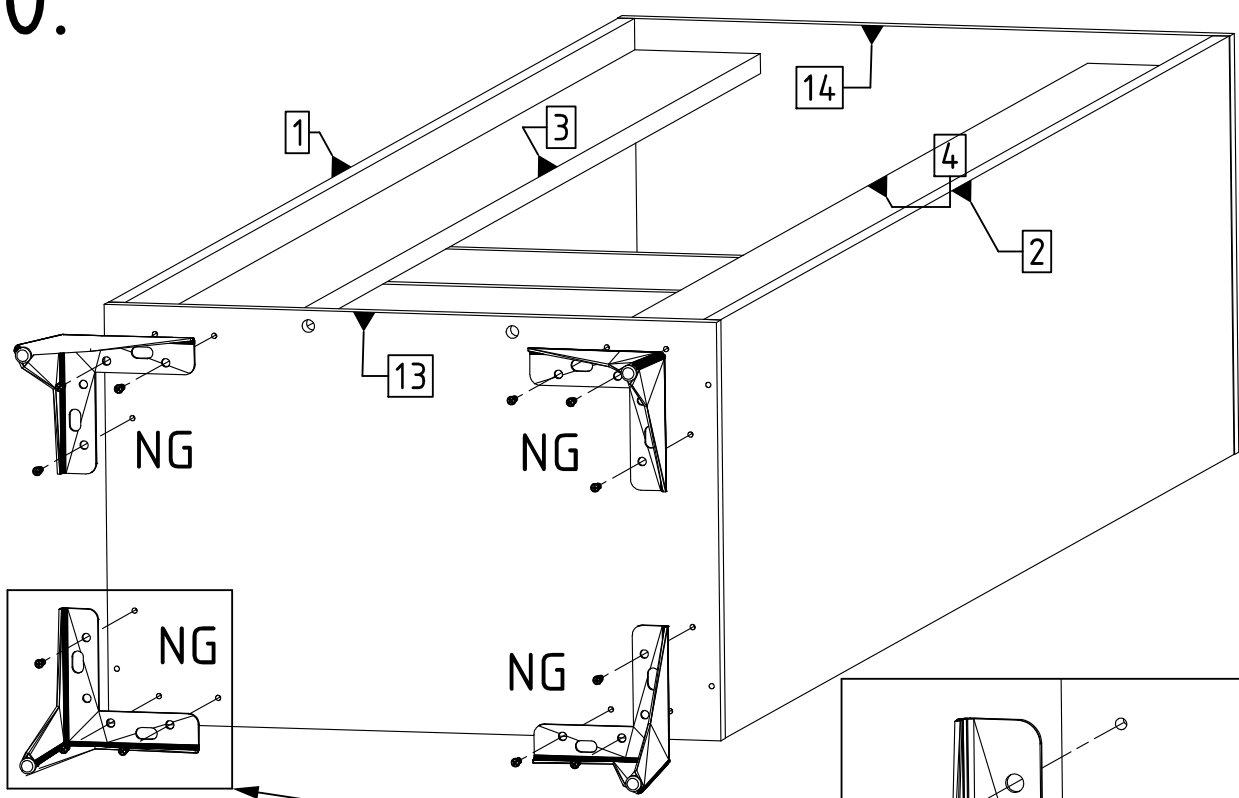
8.



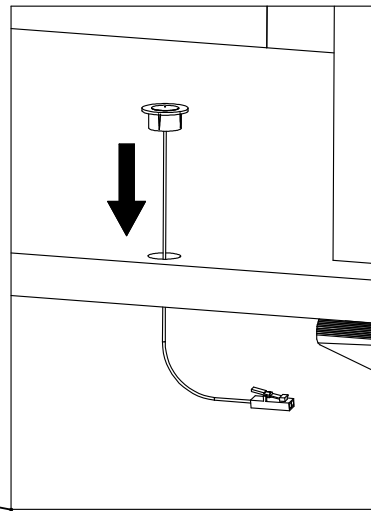
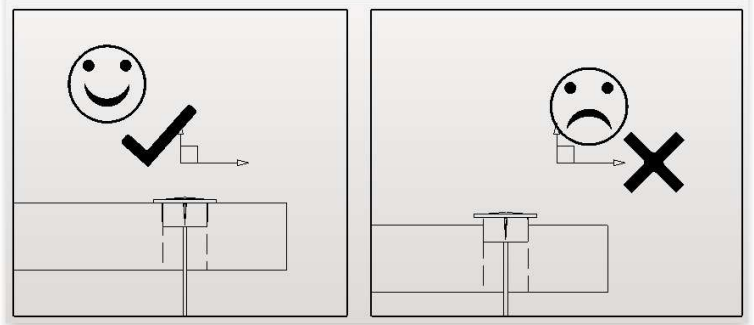
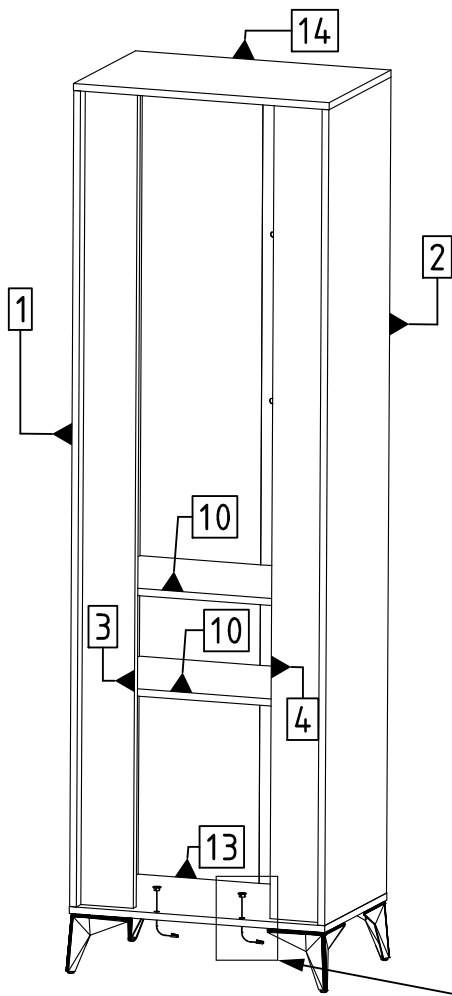
9.



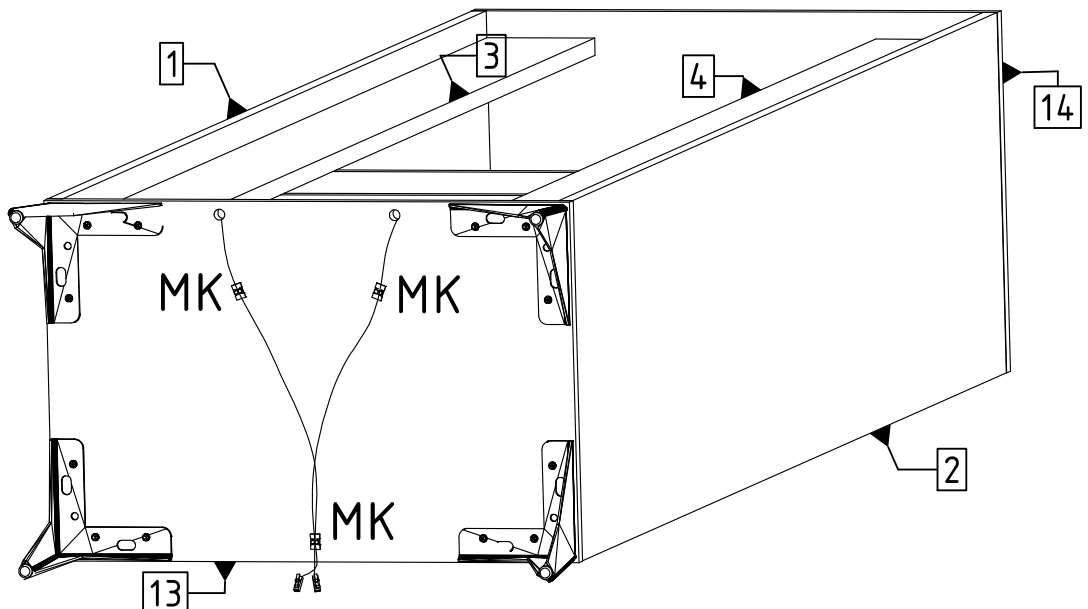
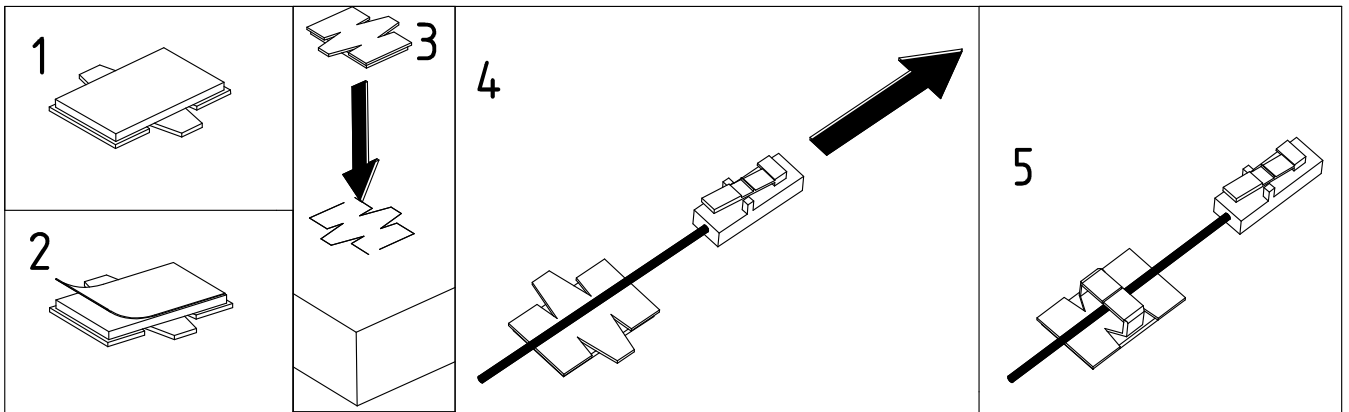
10.



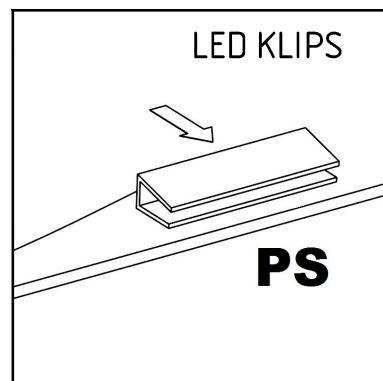
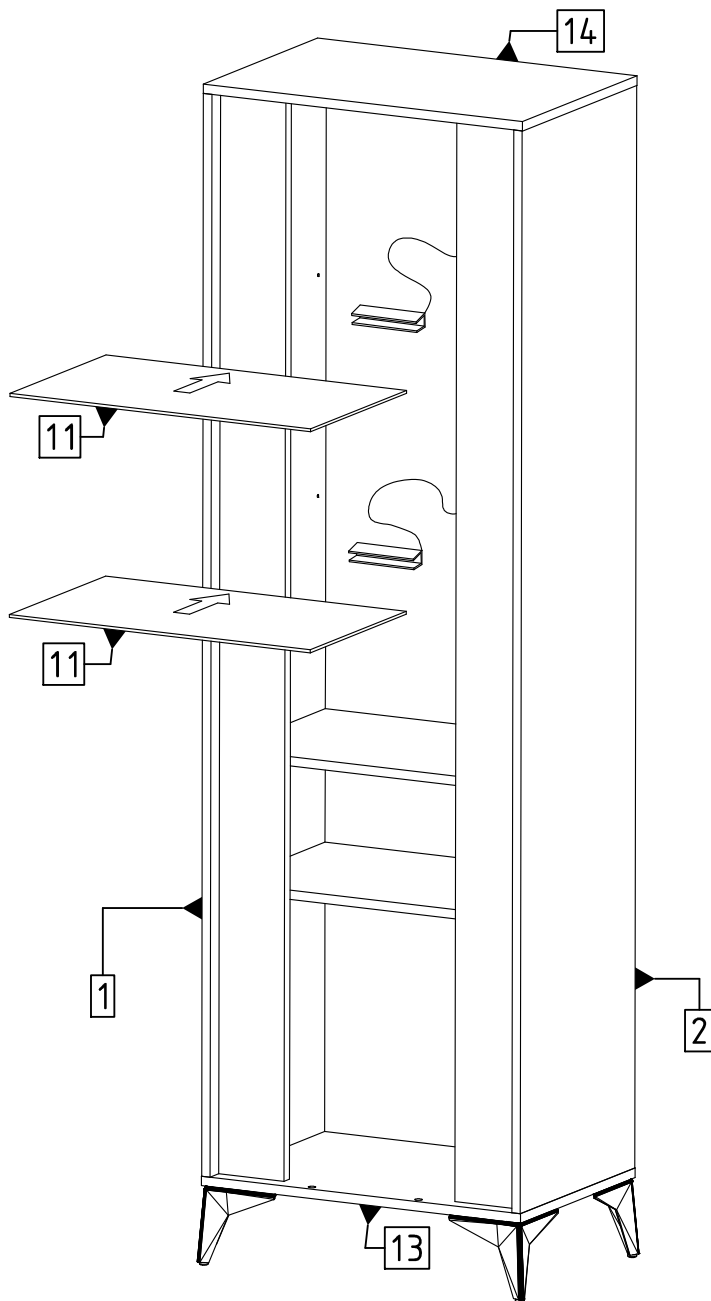
11.



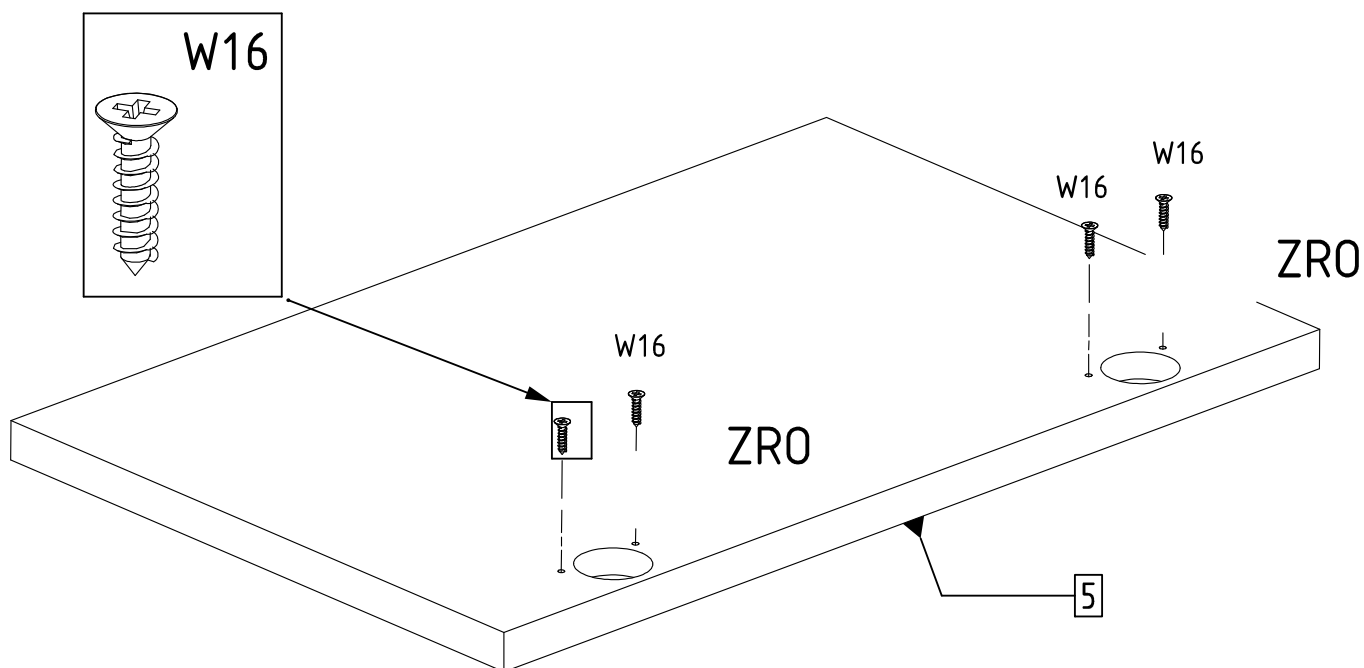
12.

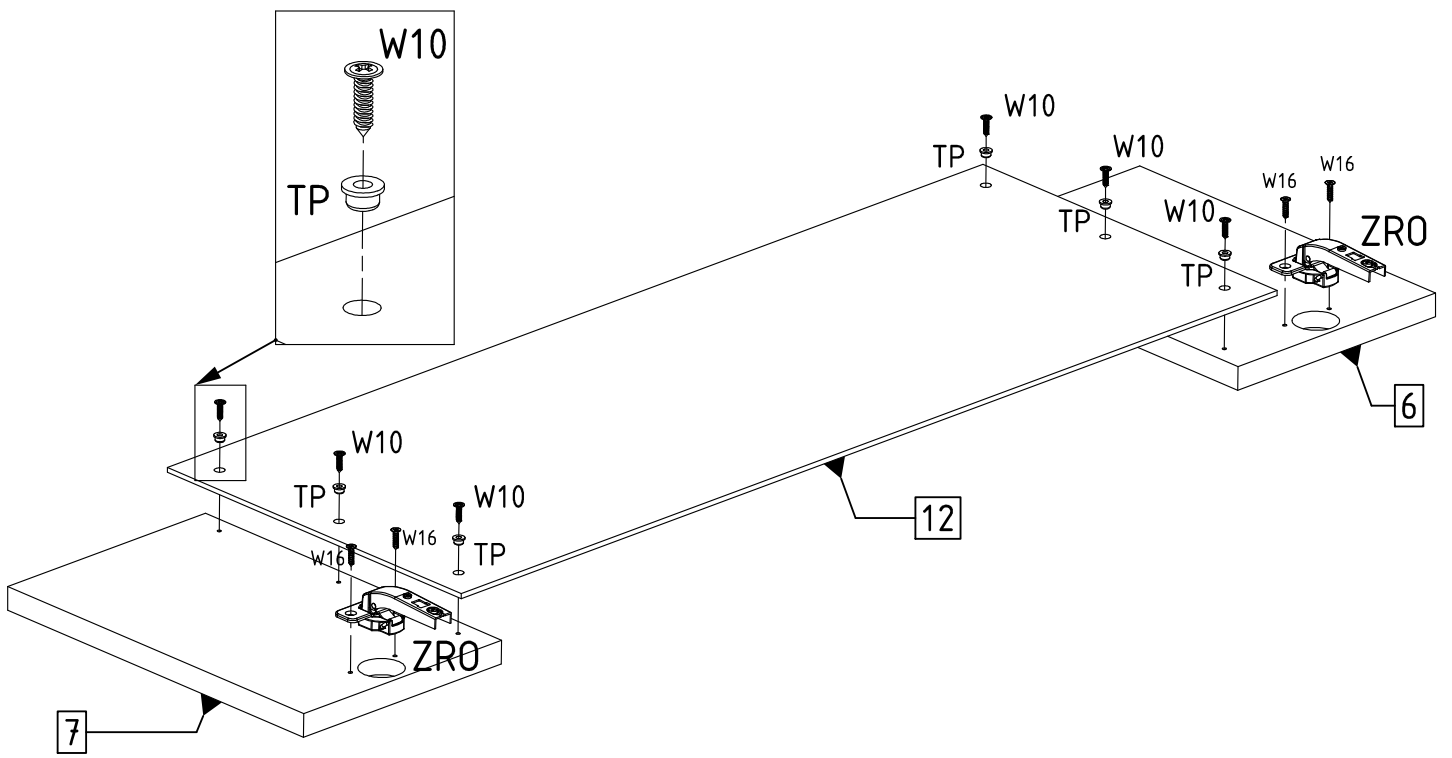


13.



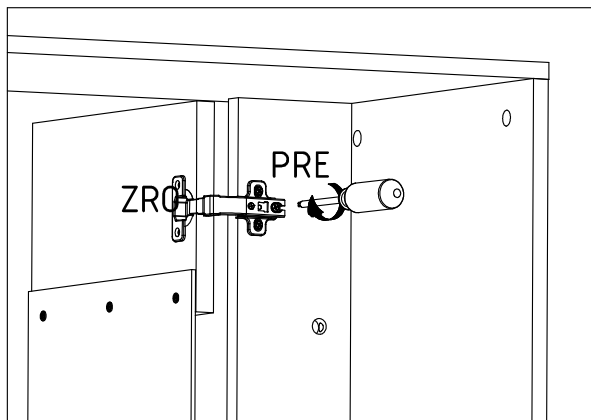
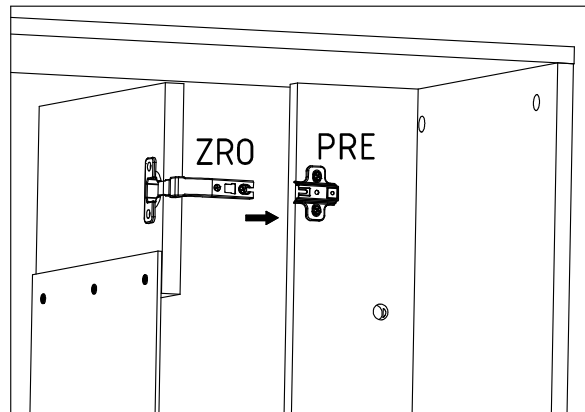
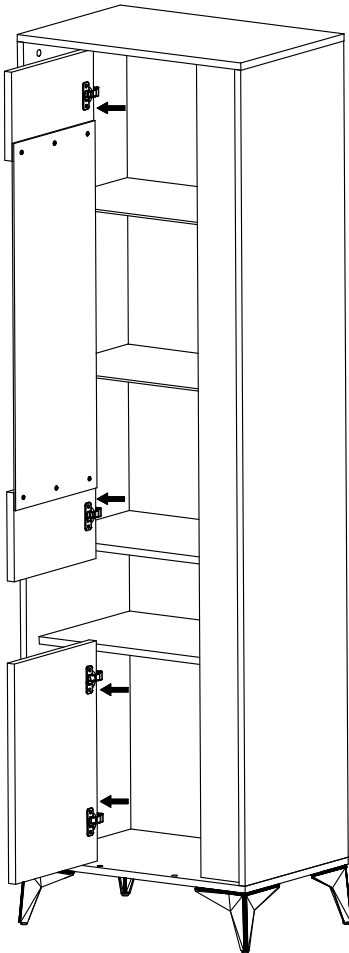
14.



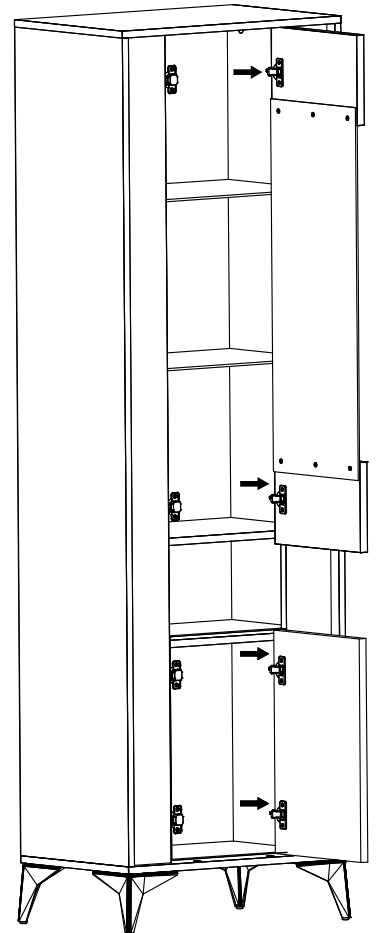


15.

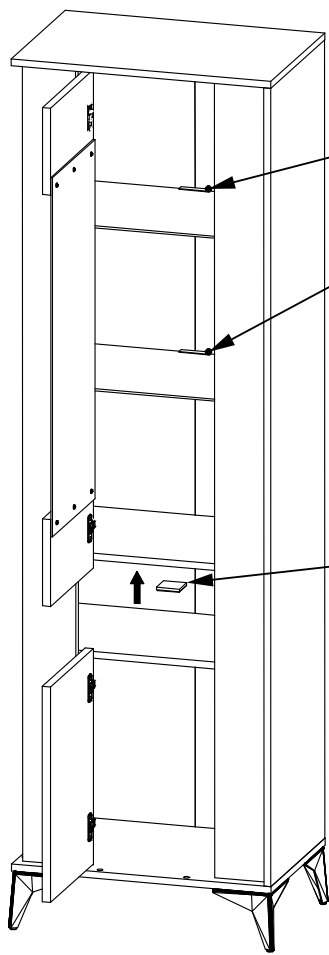
LEFT



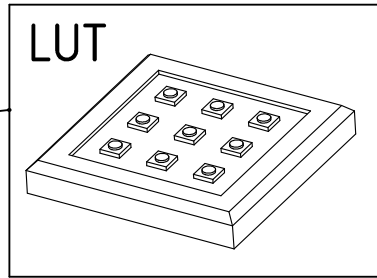
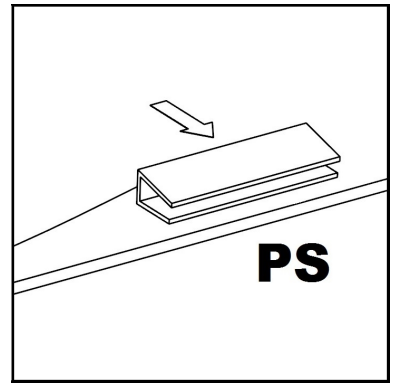
RIGHT



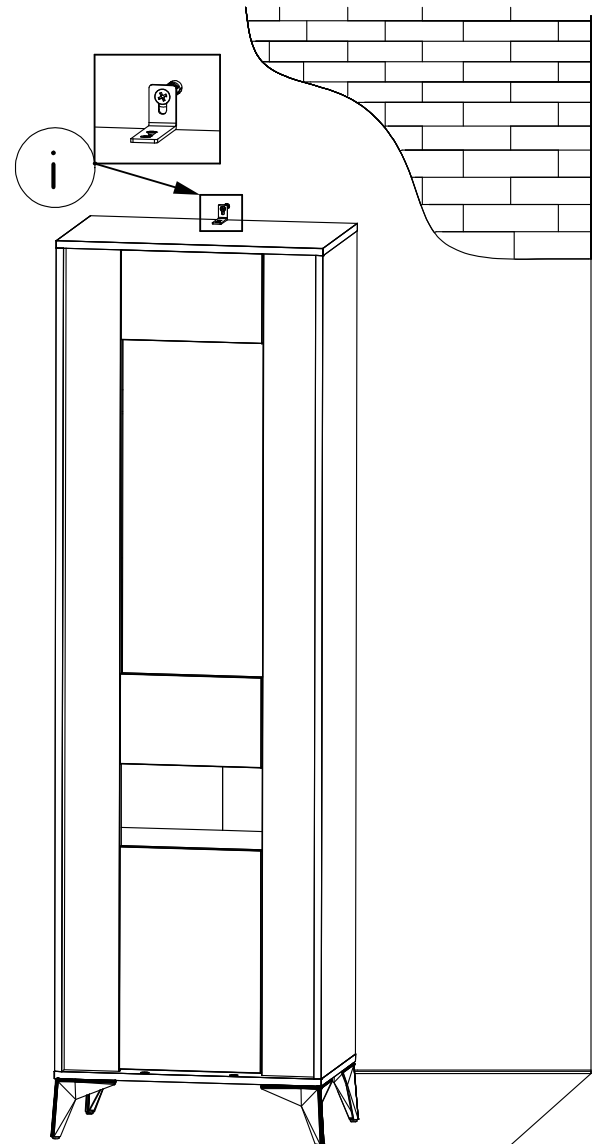
16.



LED GLASS CLIP



17.



i

