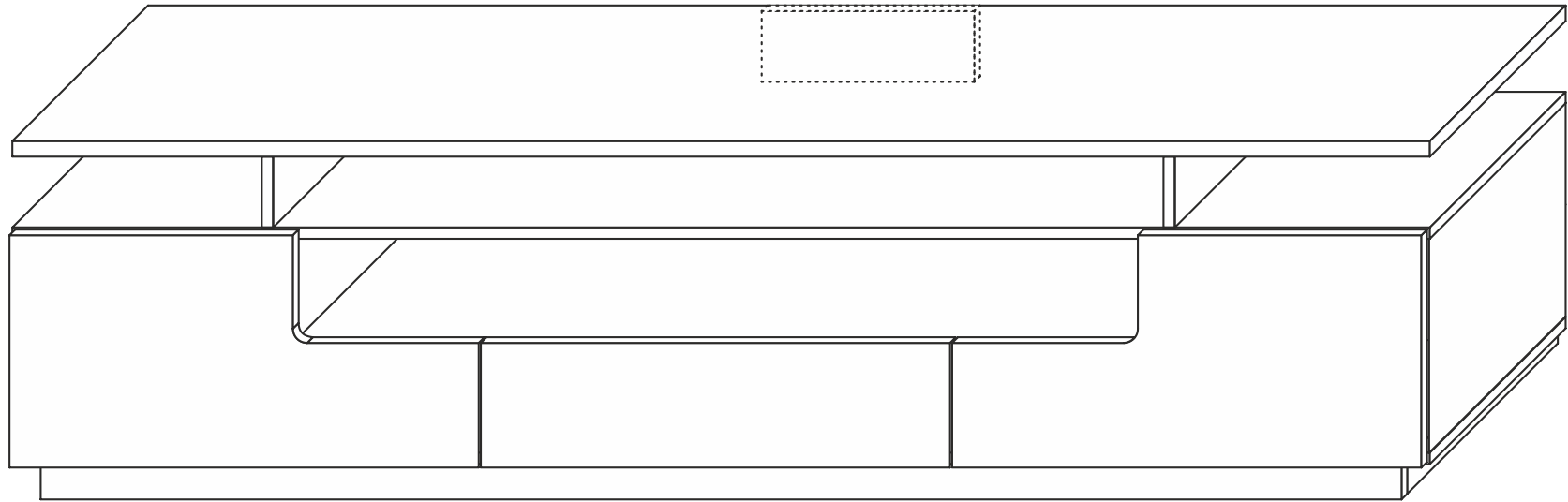


# RTV EVA TV CABINET

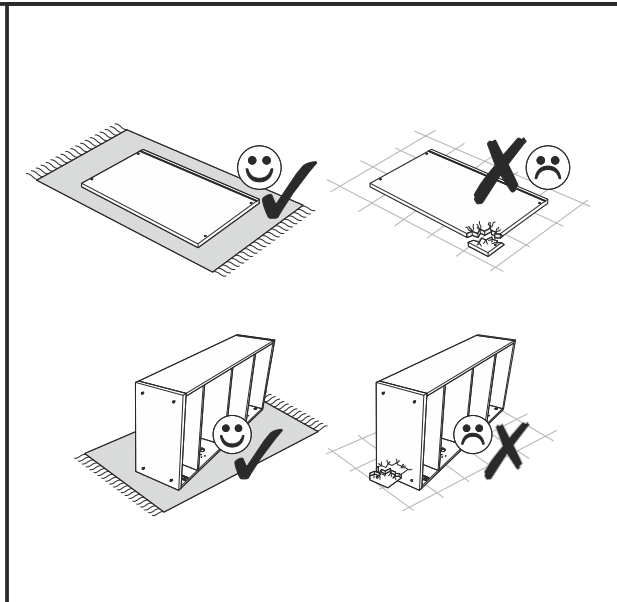
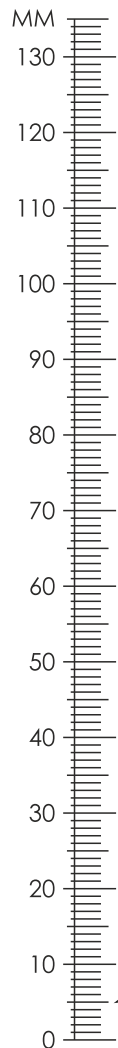
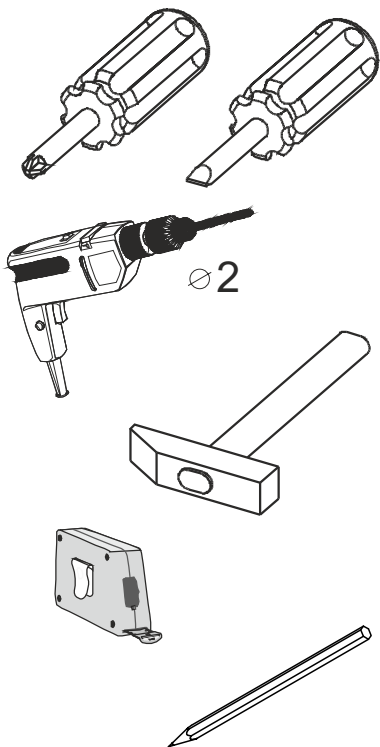
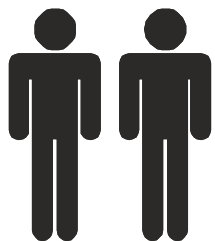
P.



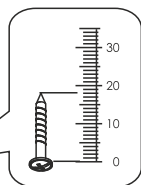
# ASSEMBLY INSTRUCTIONS

Model: RTV EVA

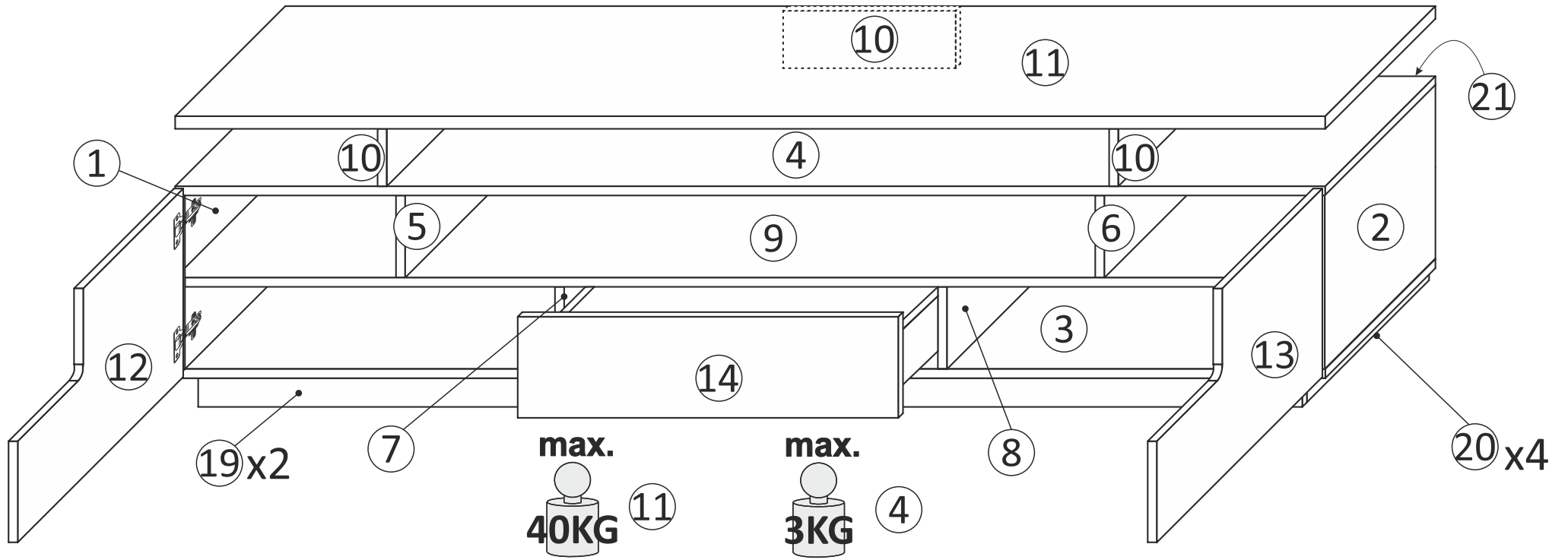
Use the following for assembly:



Before applying the led tape, surfaces must be clean / degrease.

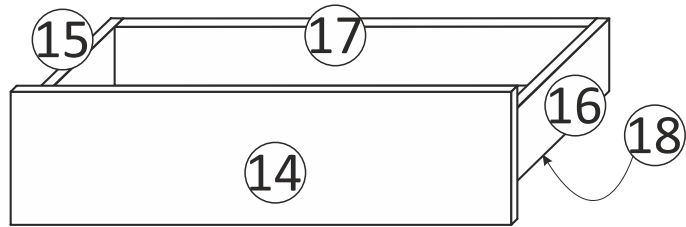



**Care notes!**  
Please wipe with dust cloth or slightly damp rubber.  
Do not use scrubbing or cleaning agents on cabinet.

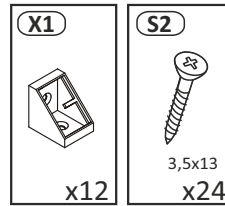


max.  
40KG 11

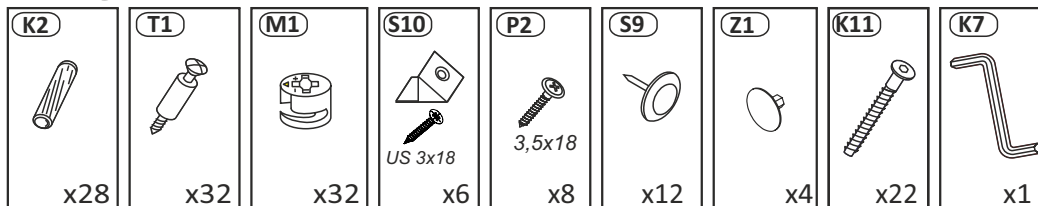
max.  
3KG 4



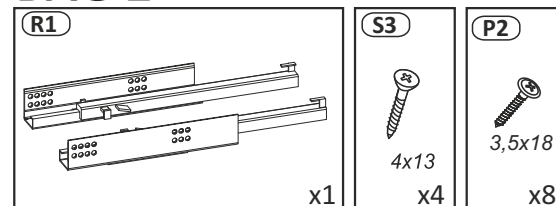
**BAG 4**



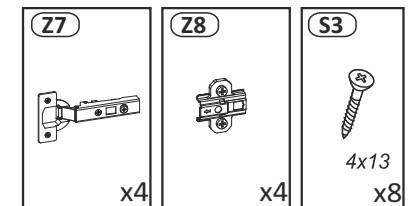
**BAG 1**



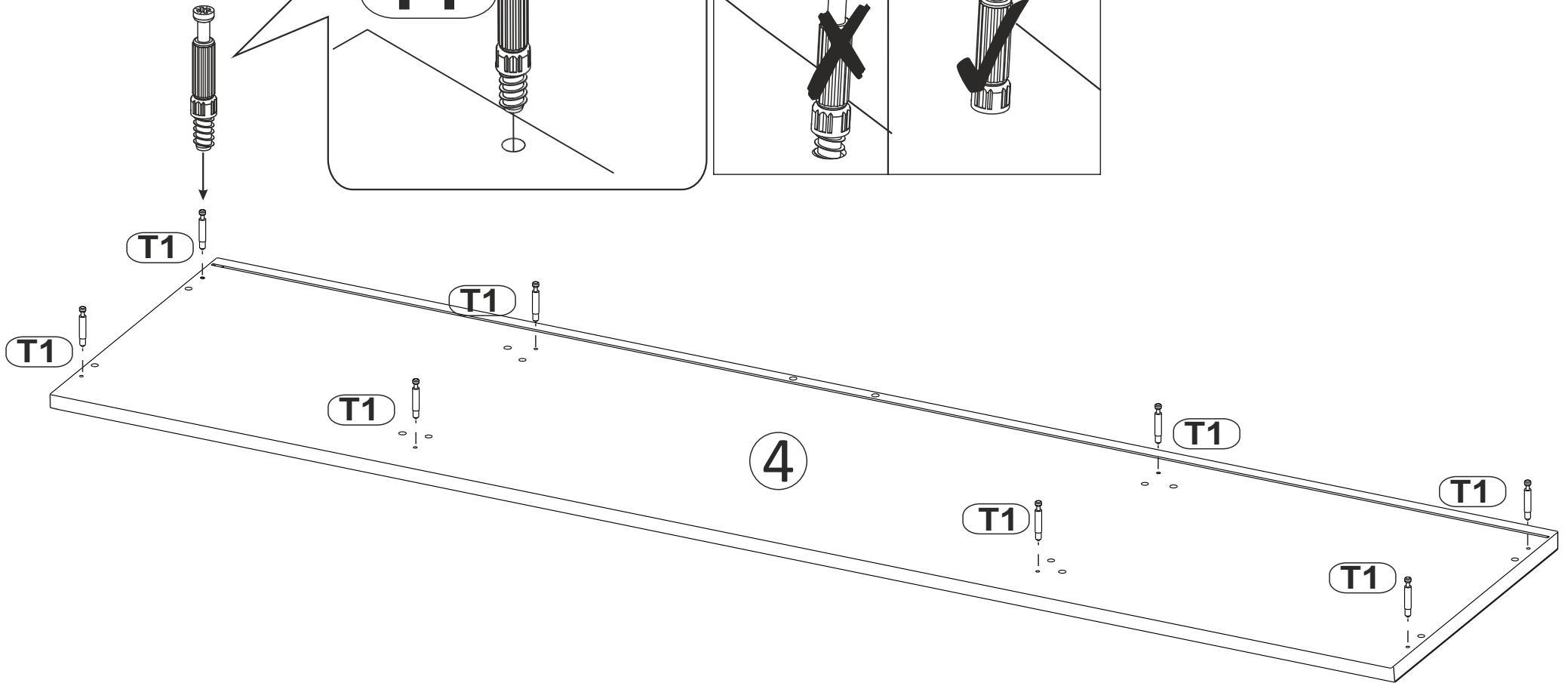
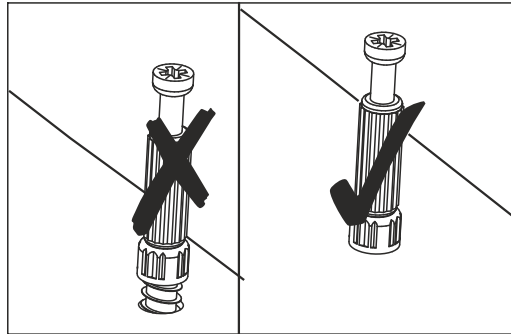
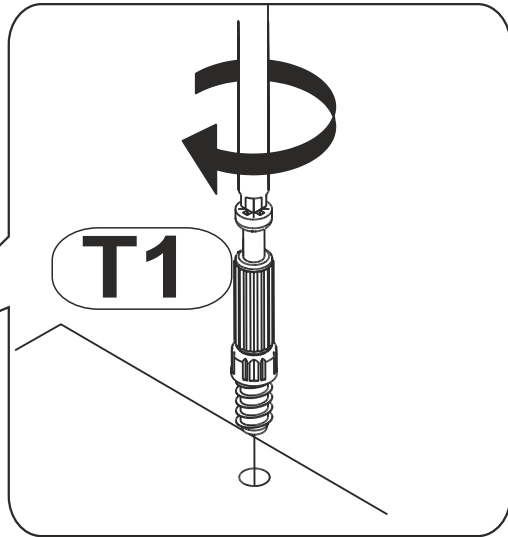
**BAG 2**

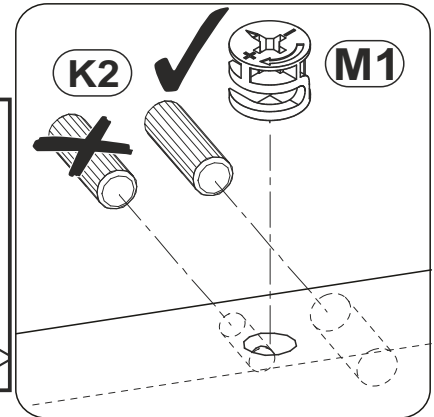
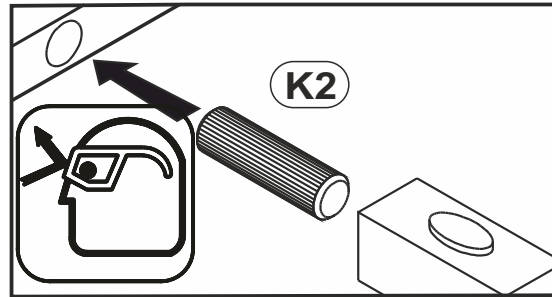
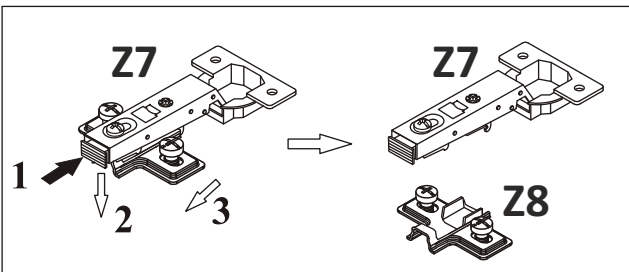
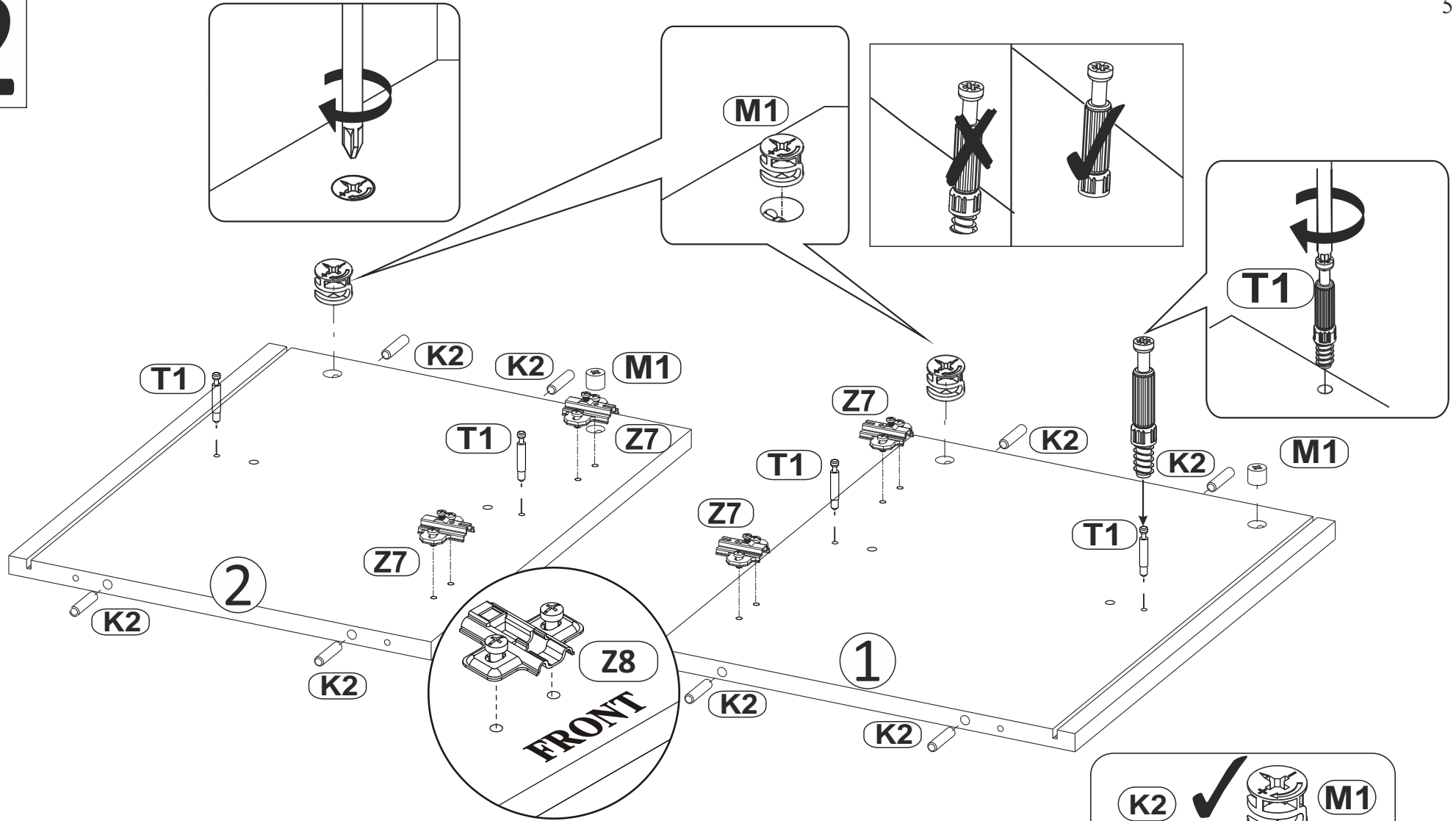


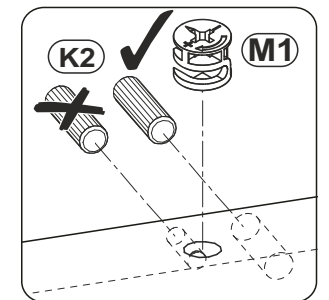
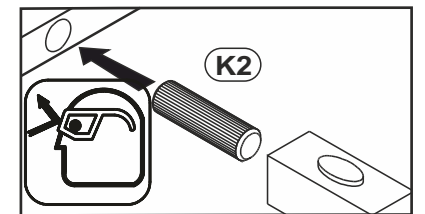
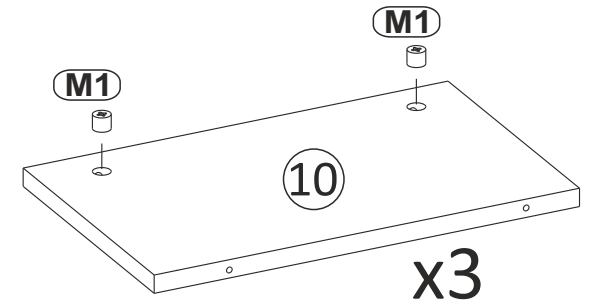
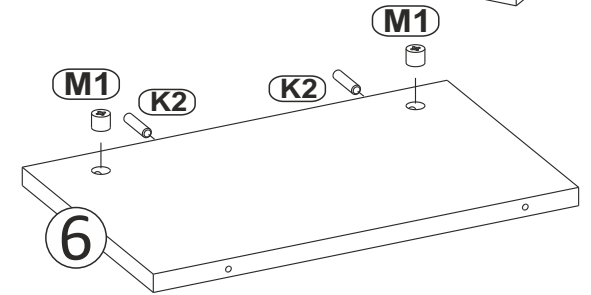
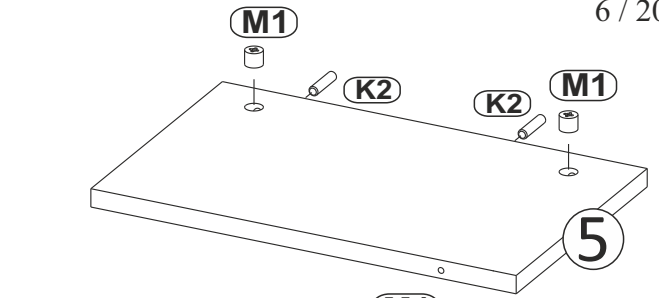
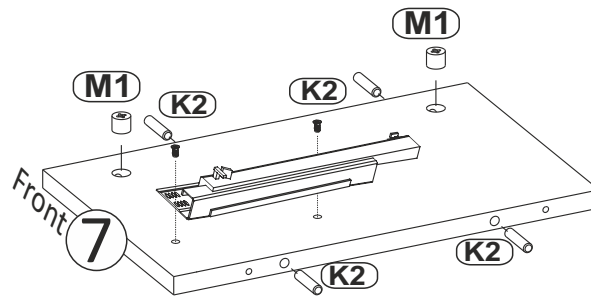
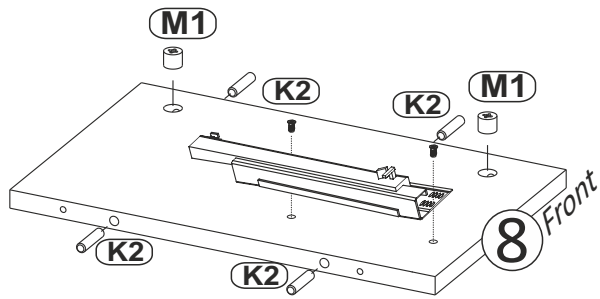
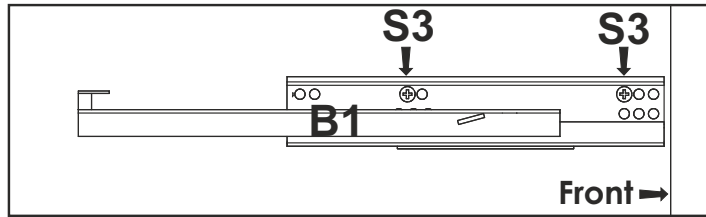
**BAG 3**

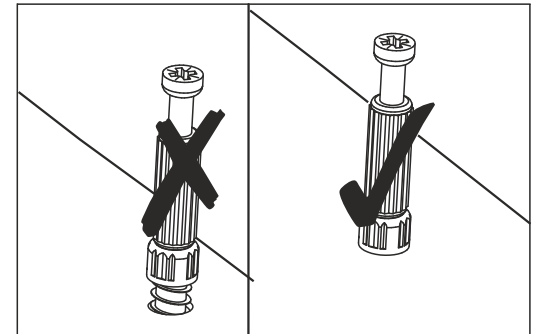
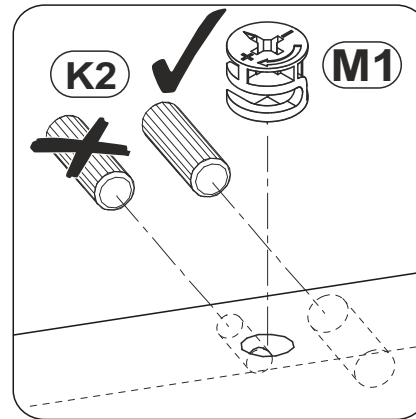
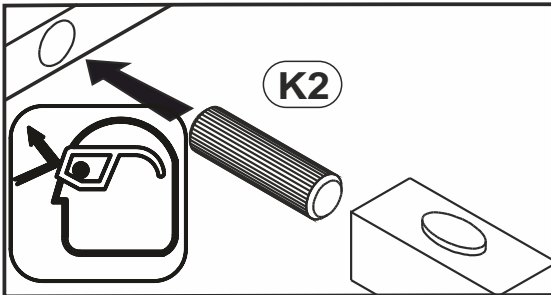
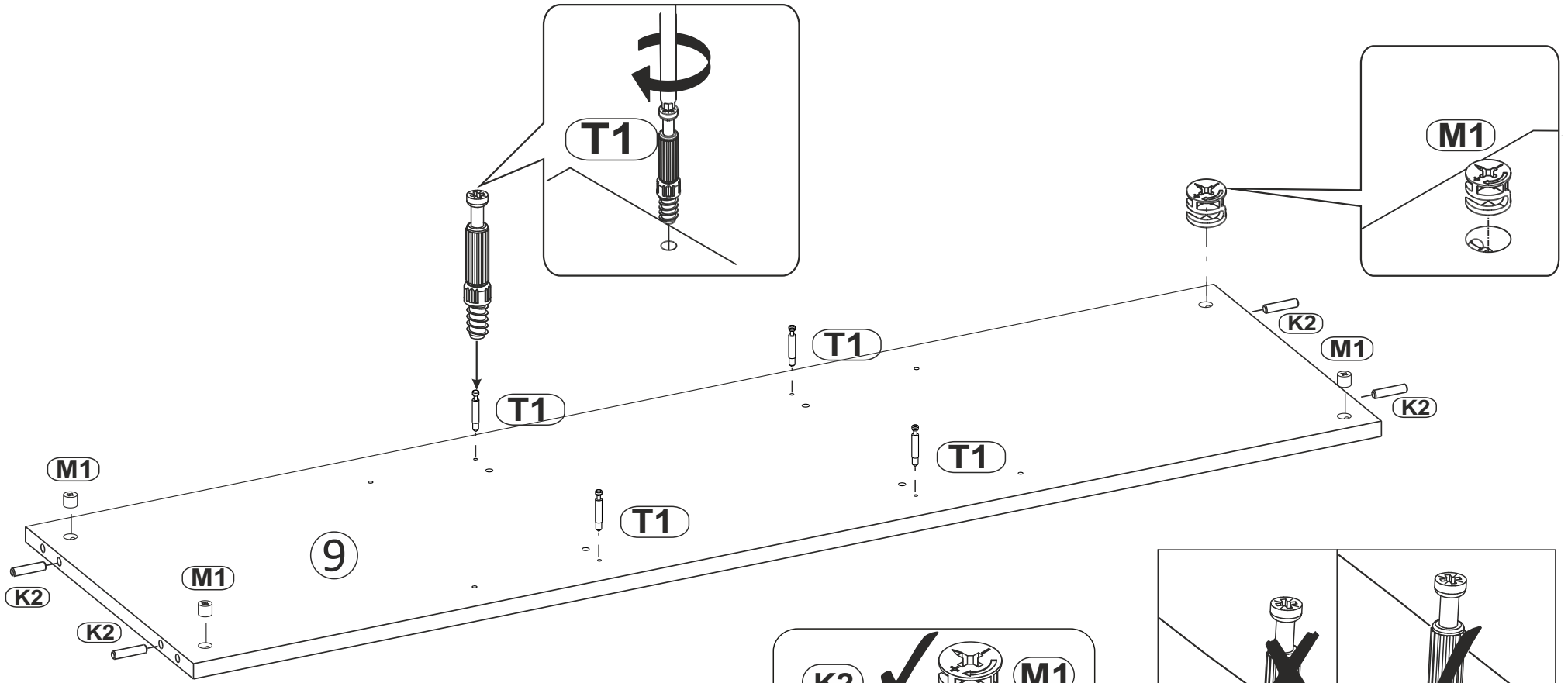


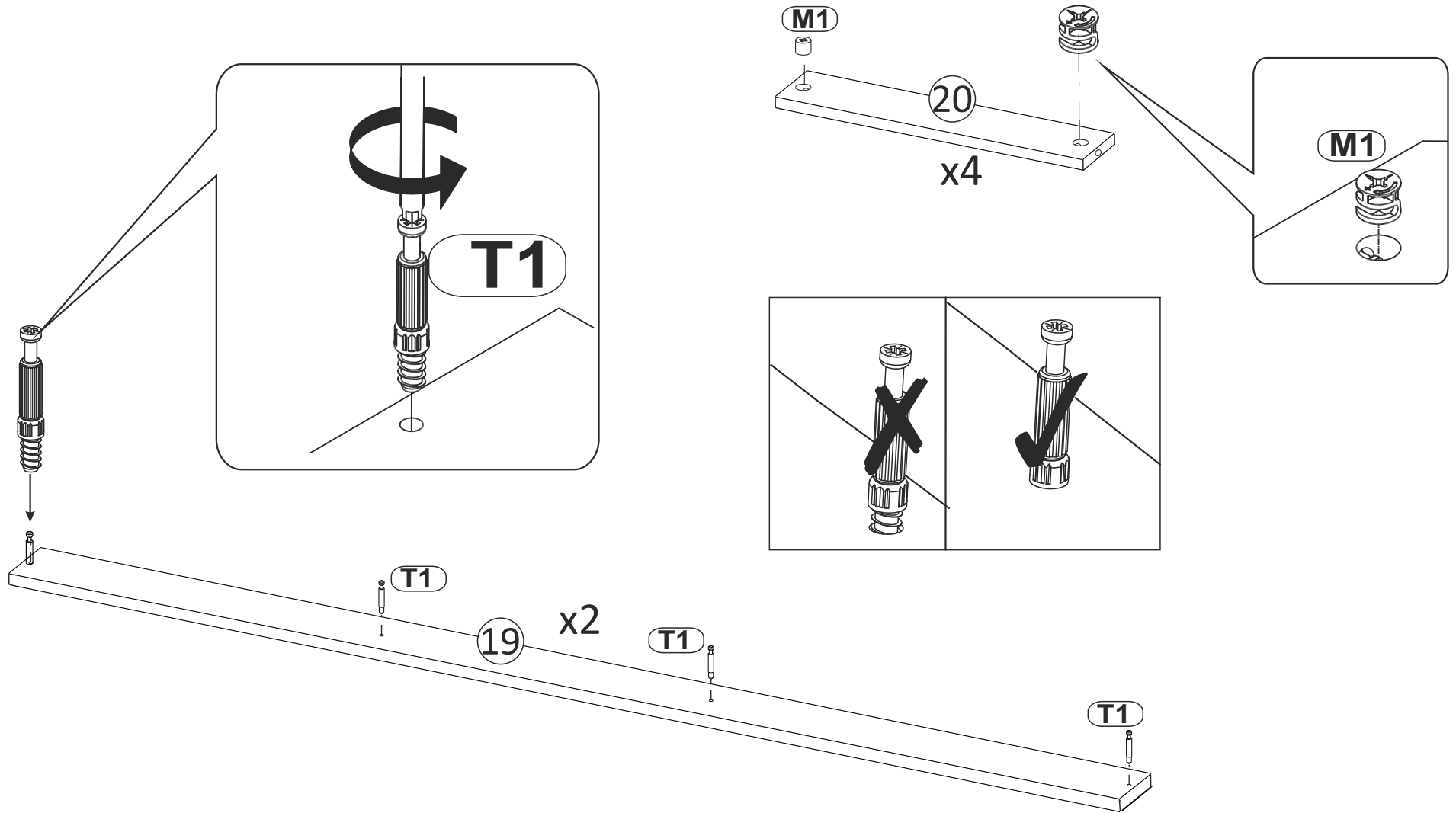
# 1



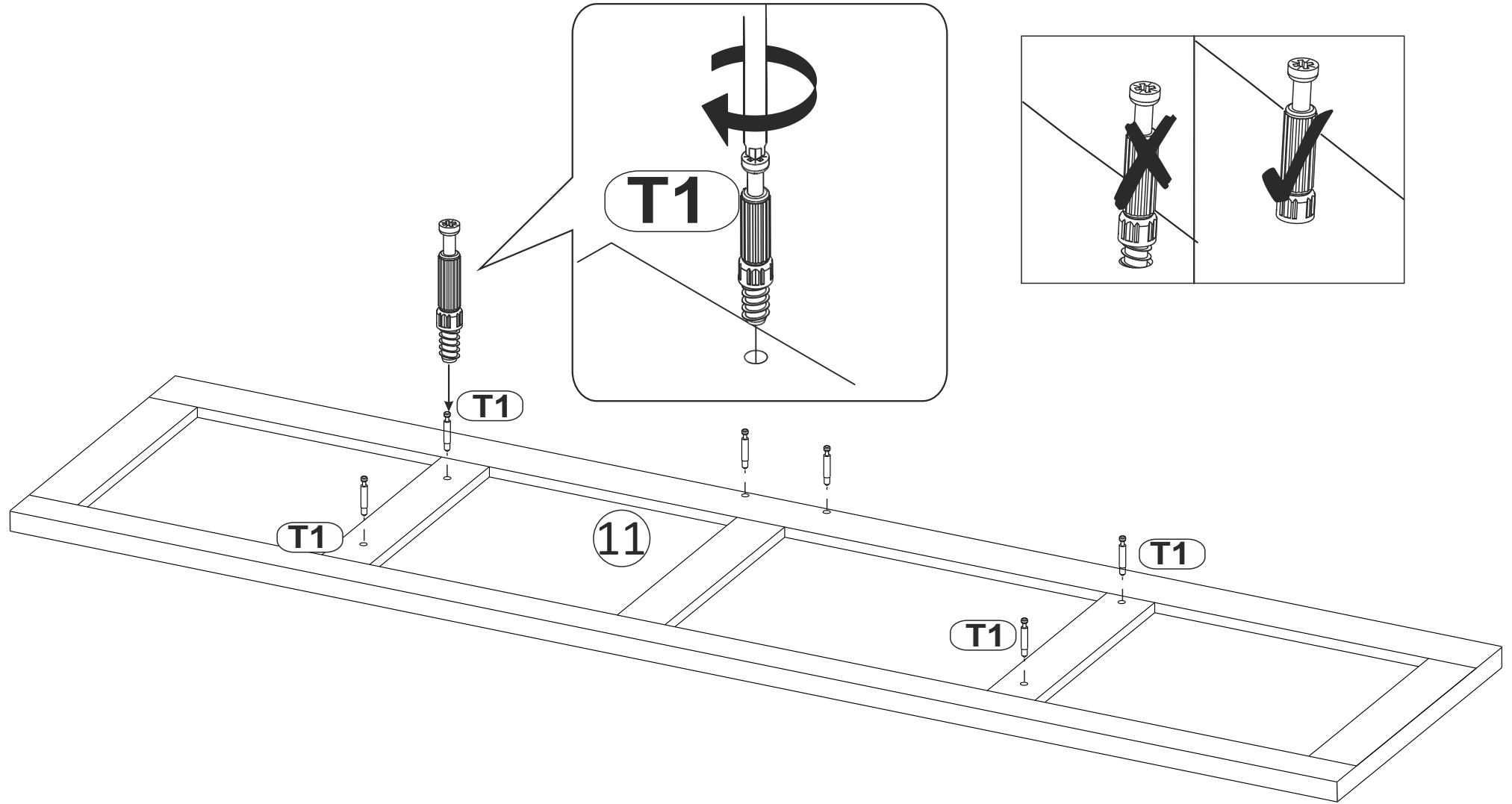


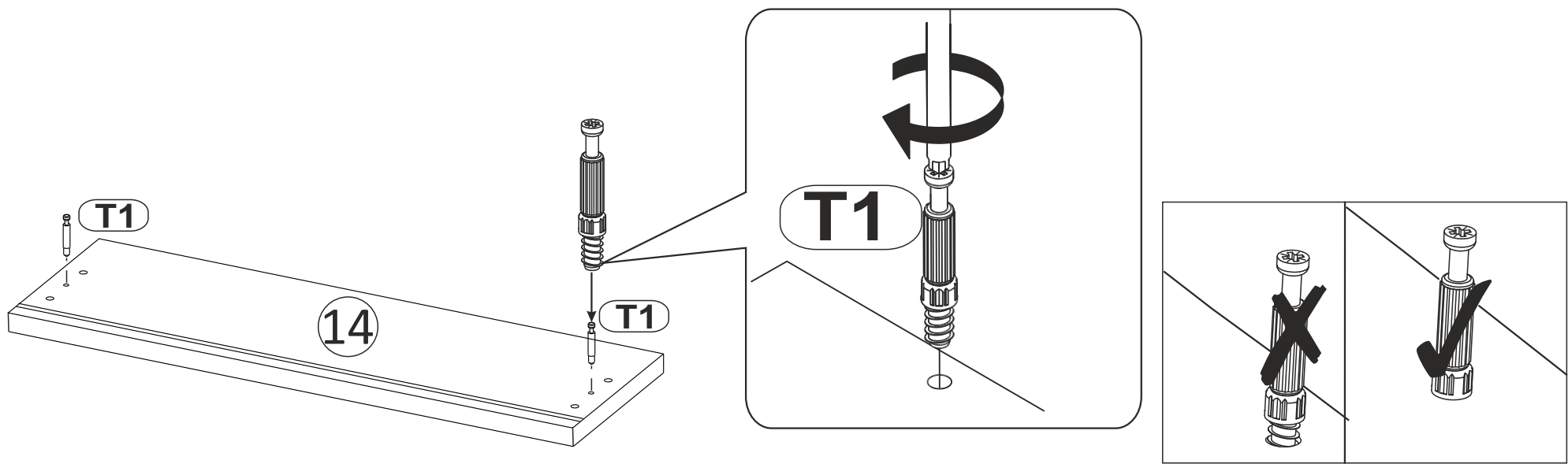
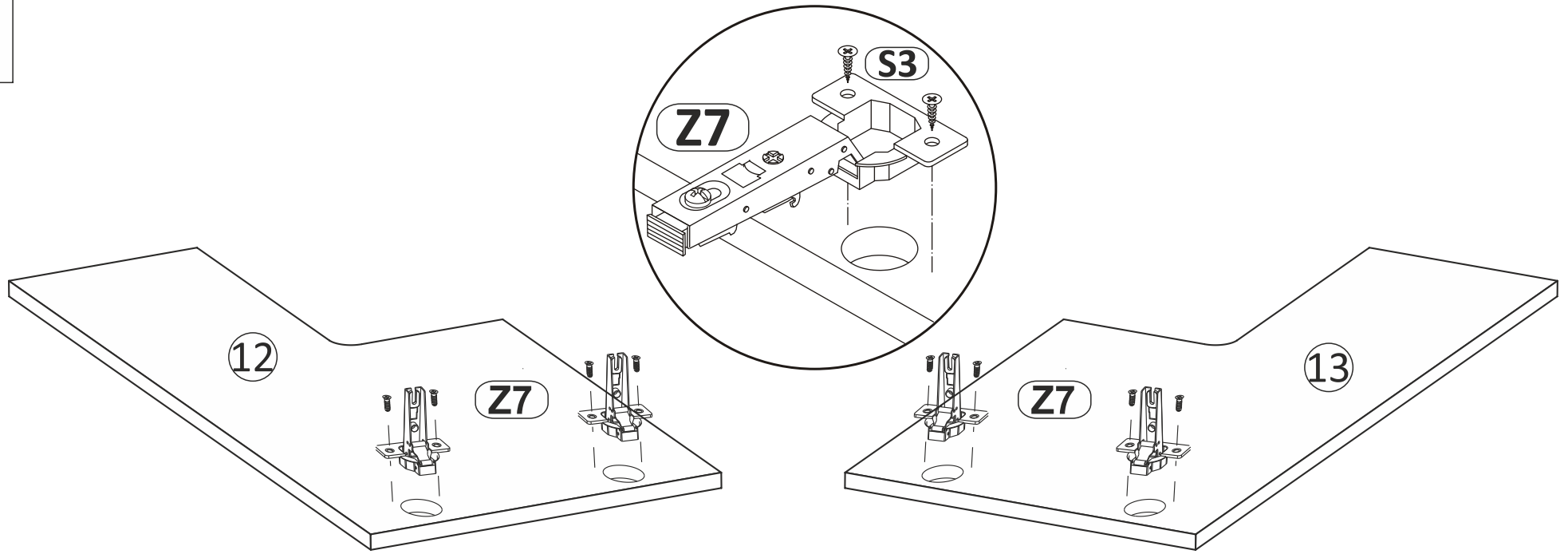


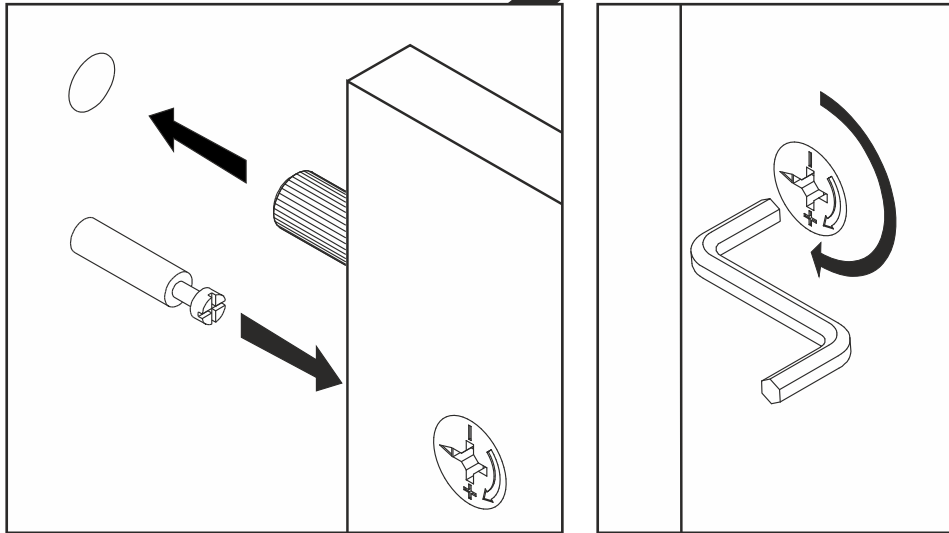
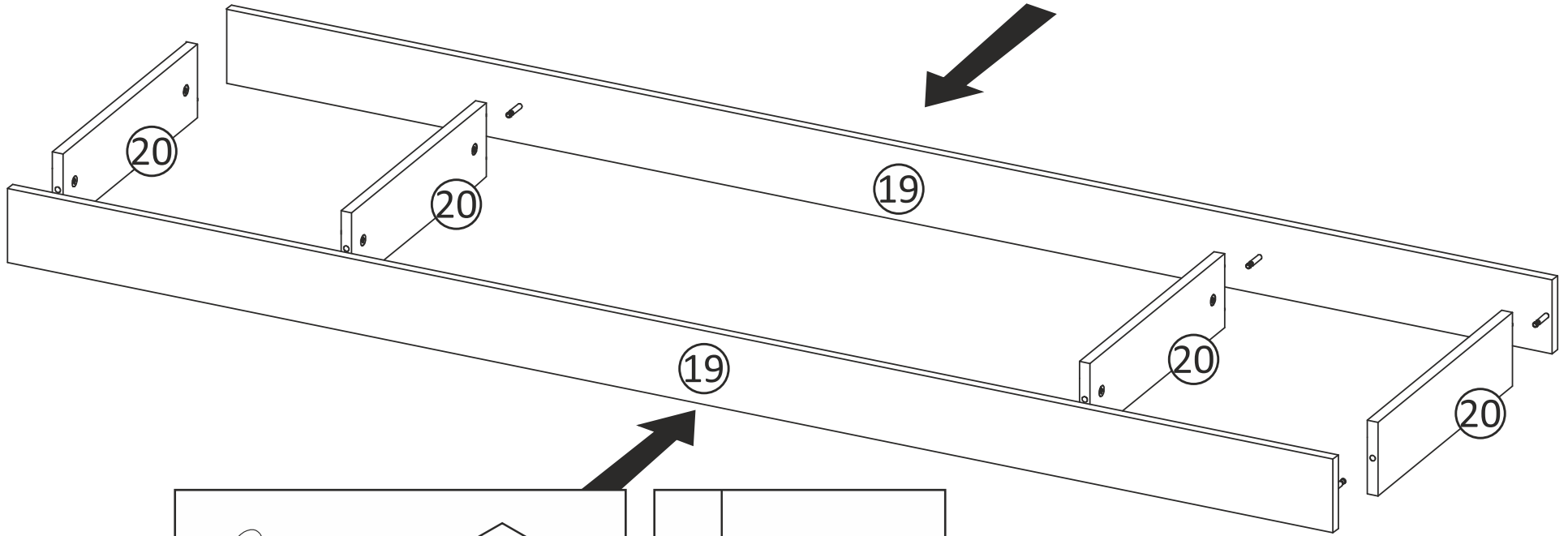


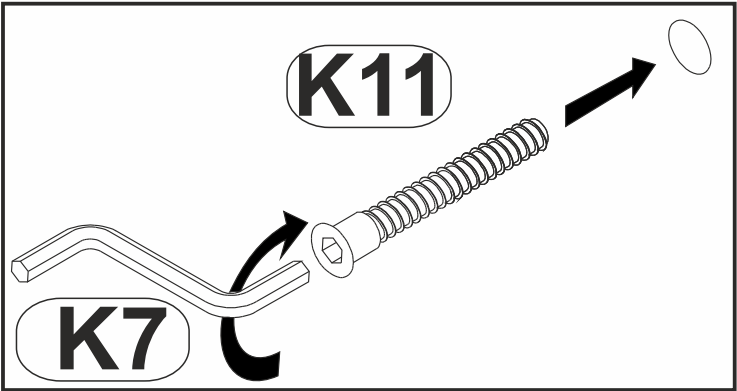
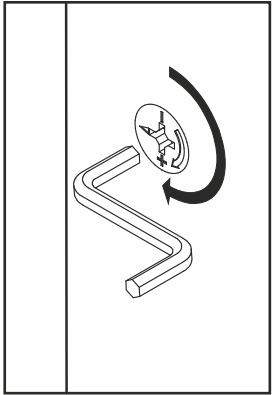
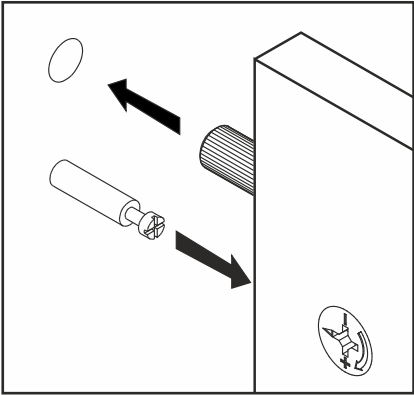
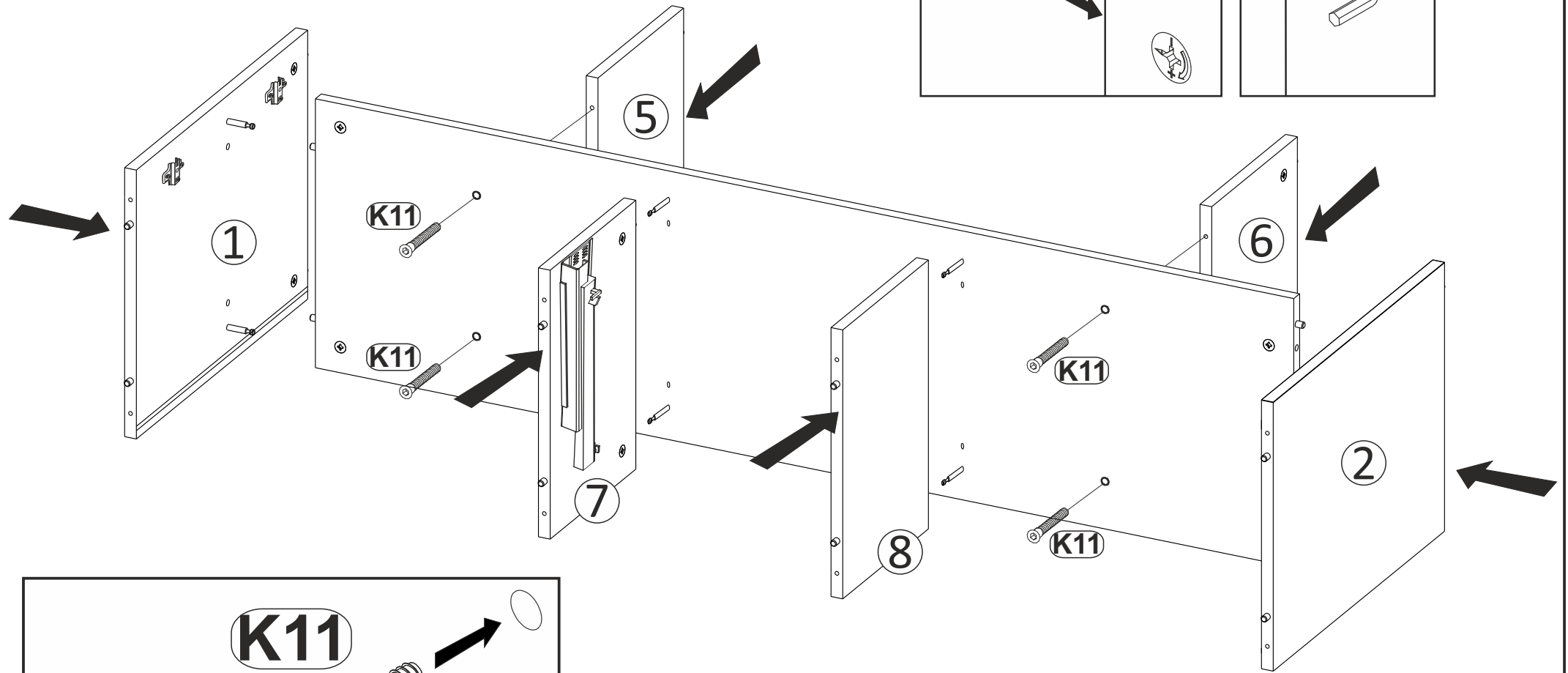


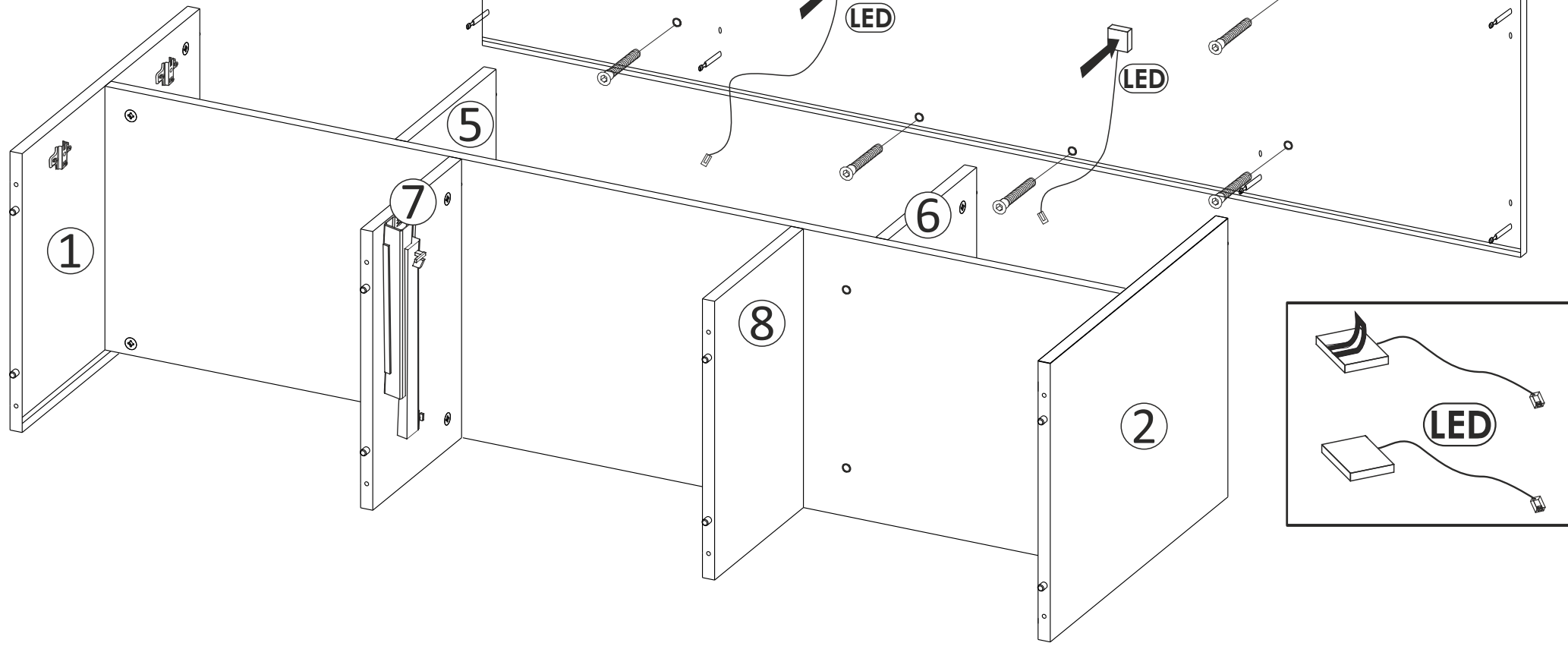
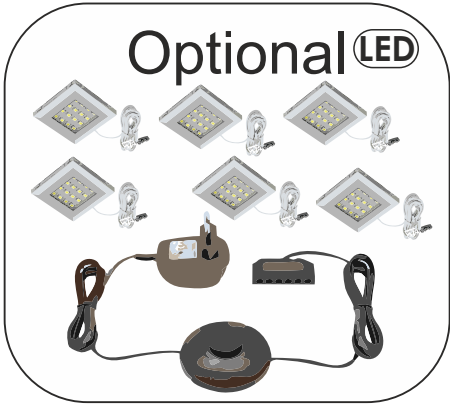


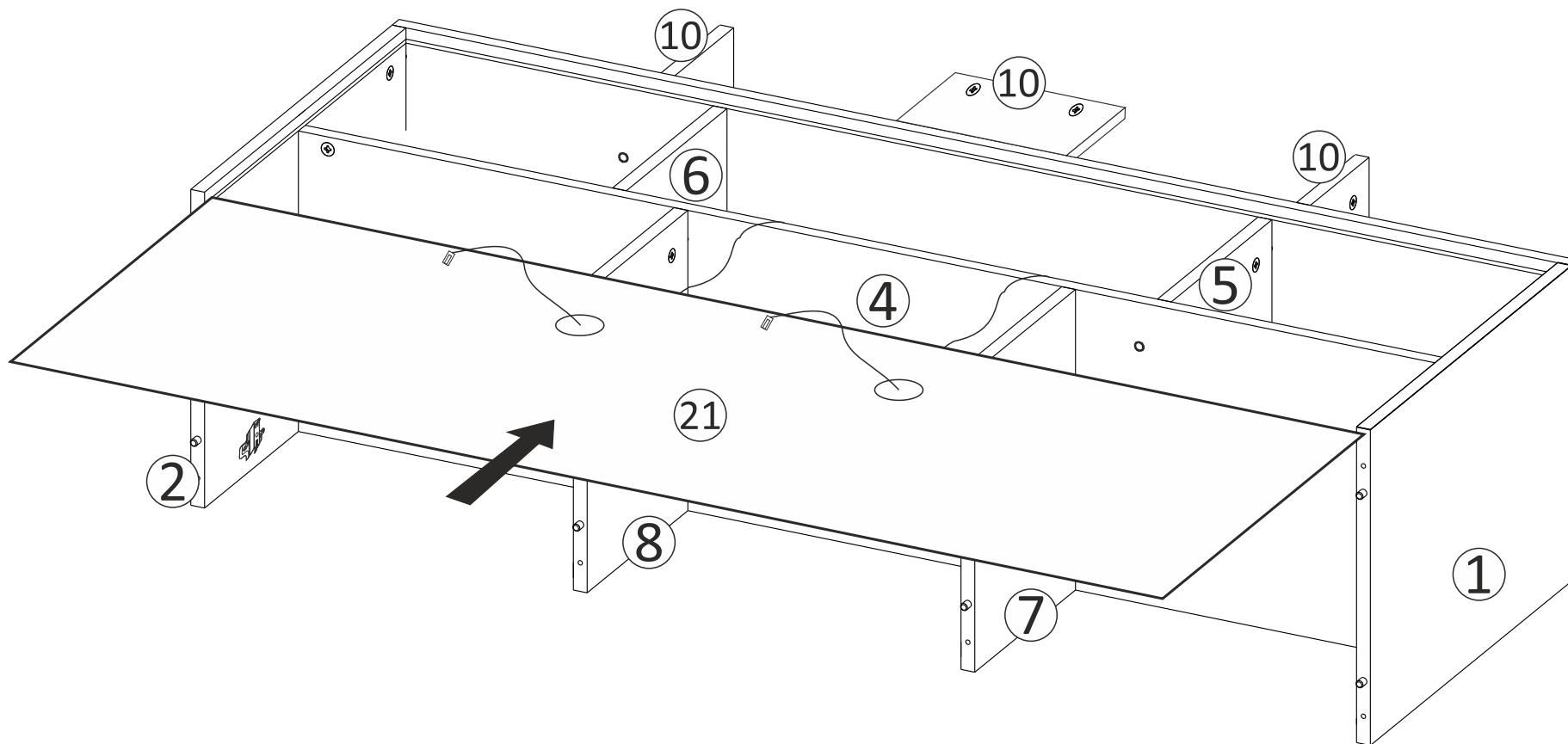


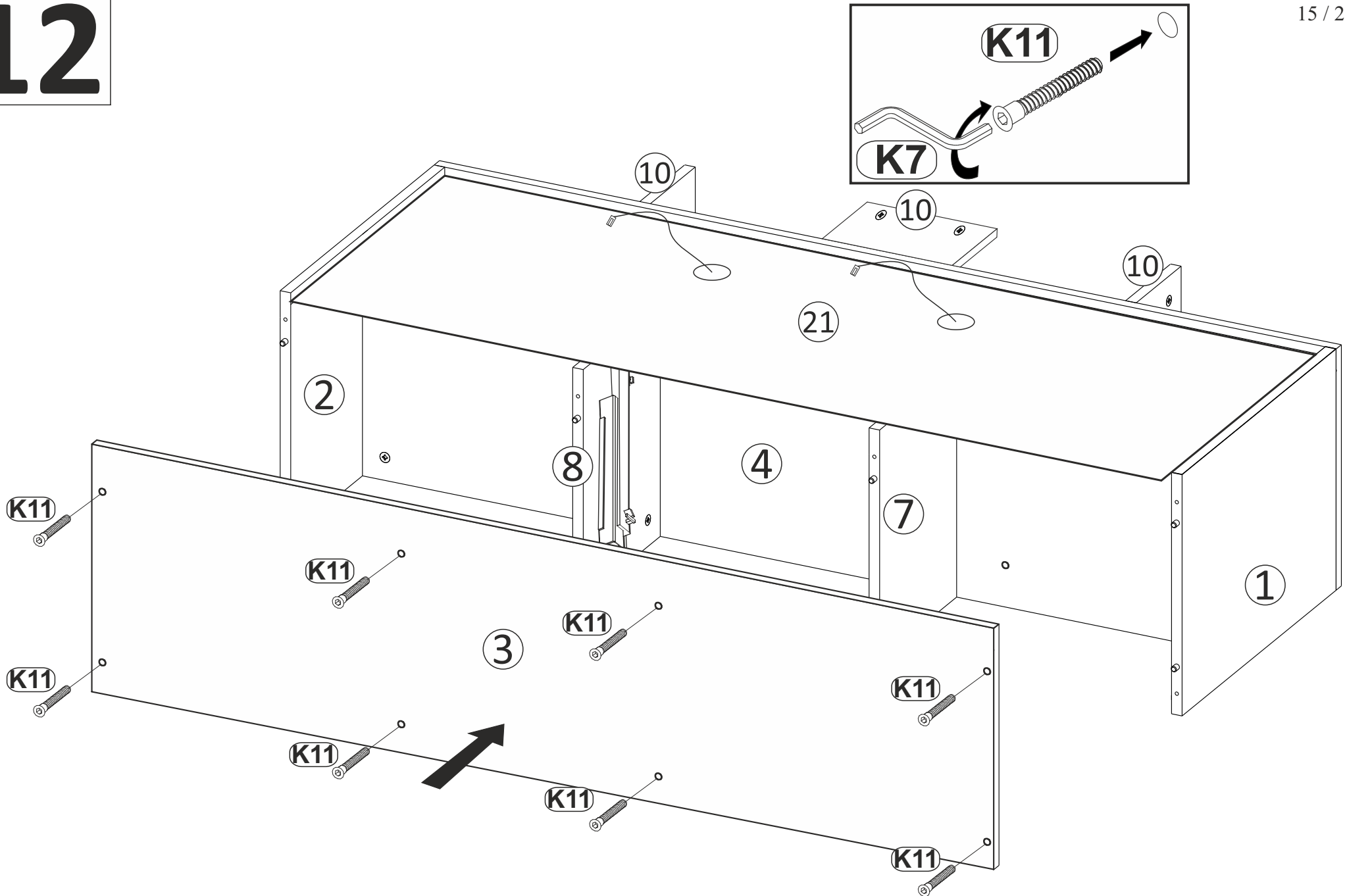


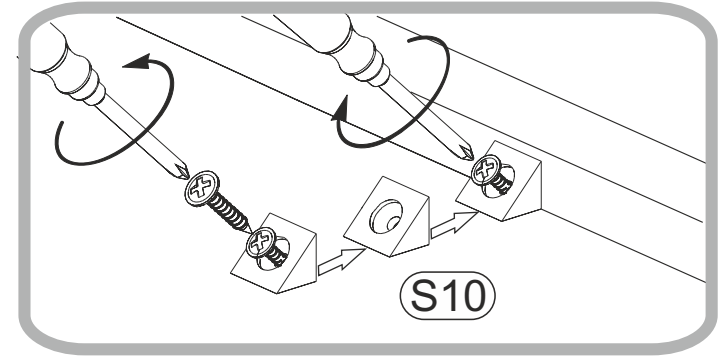
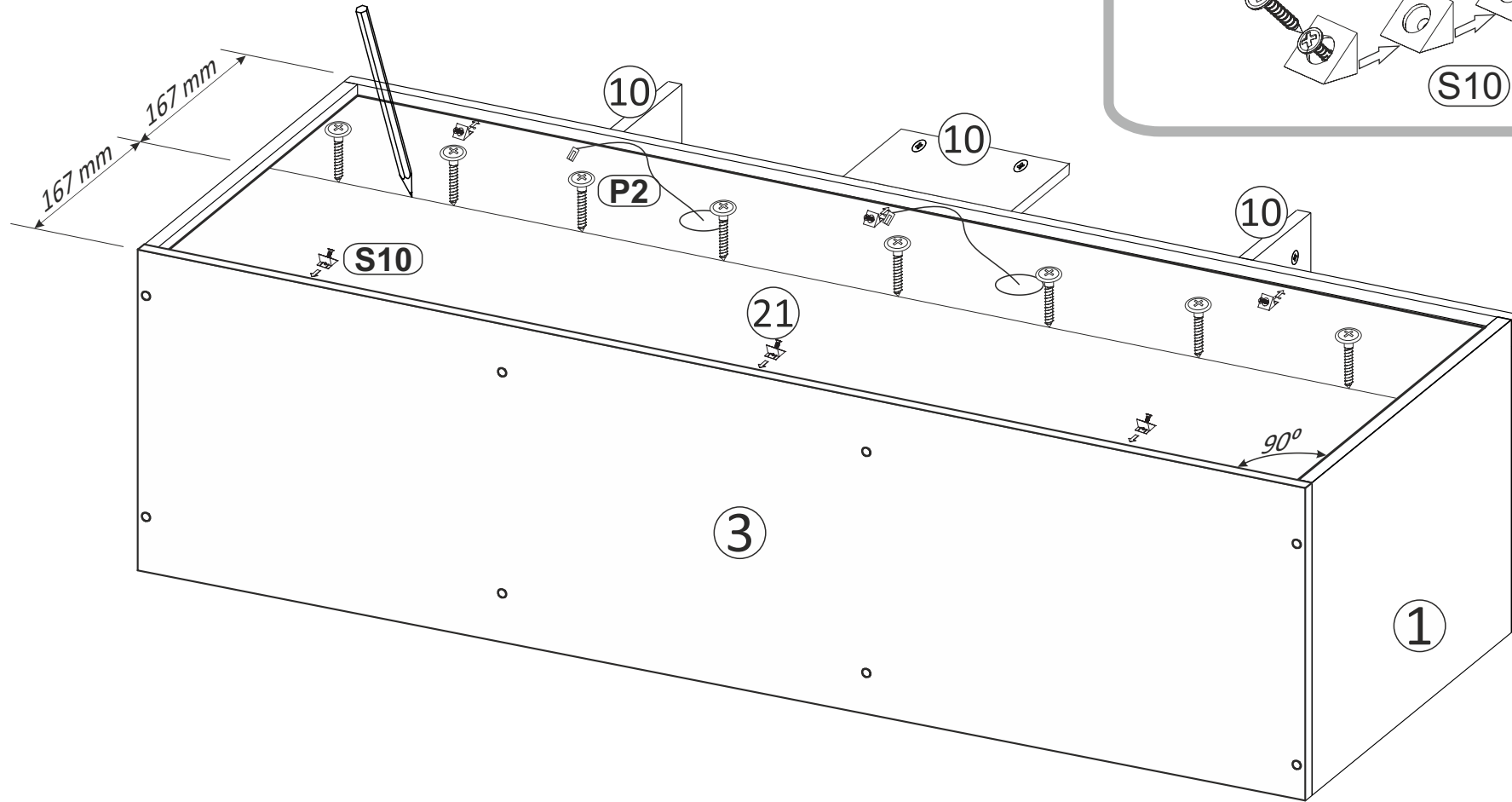




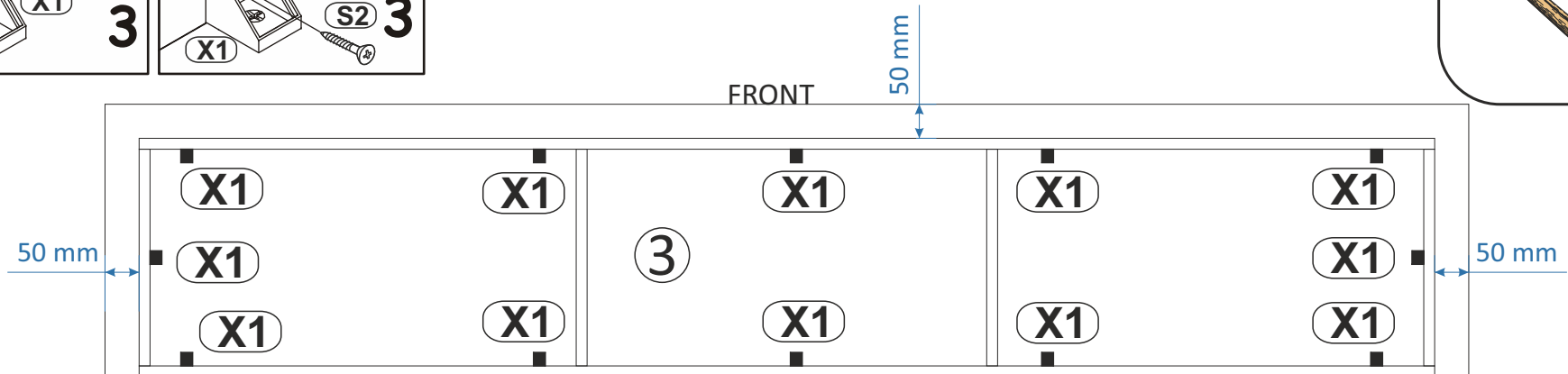
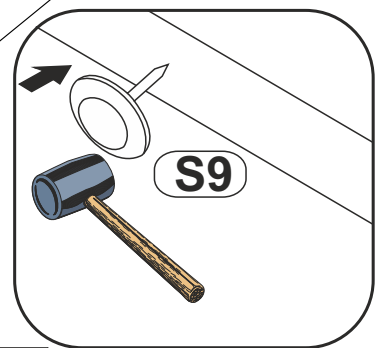
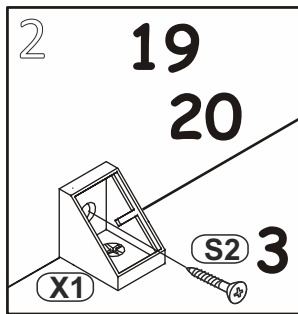
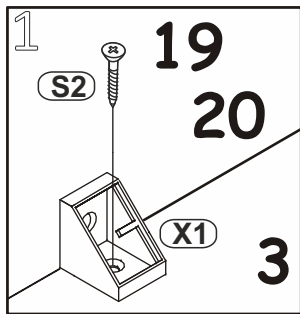
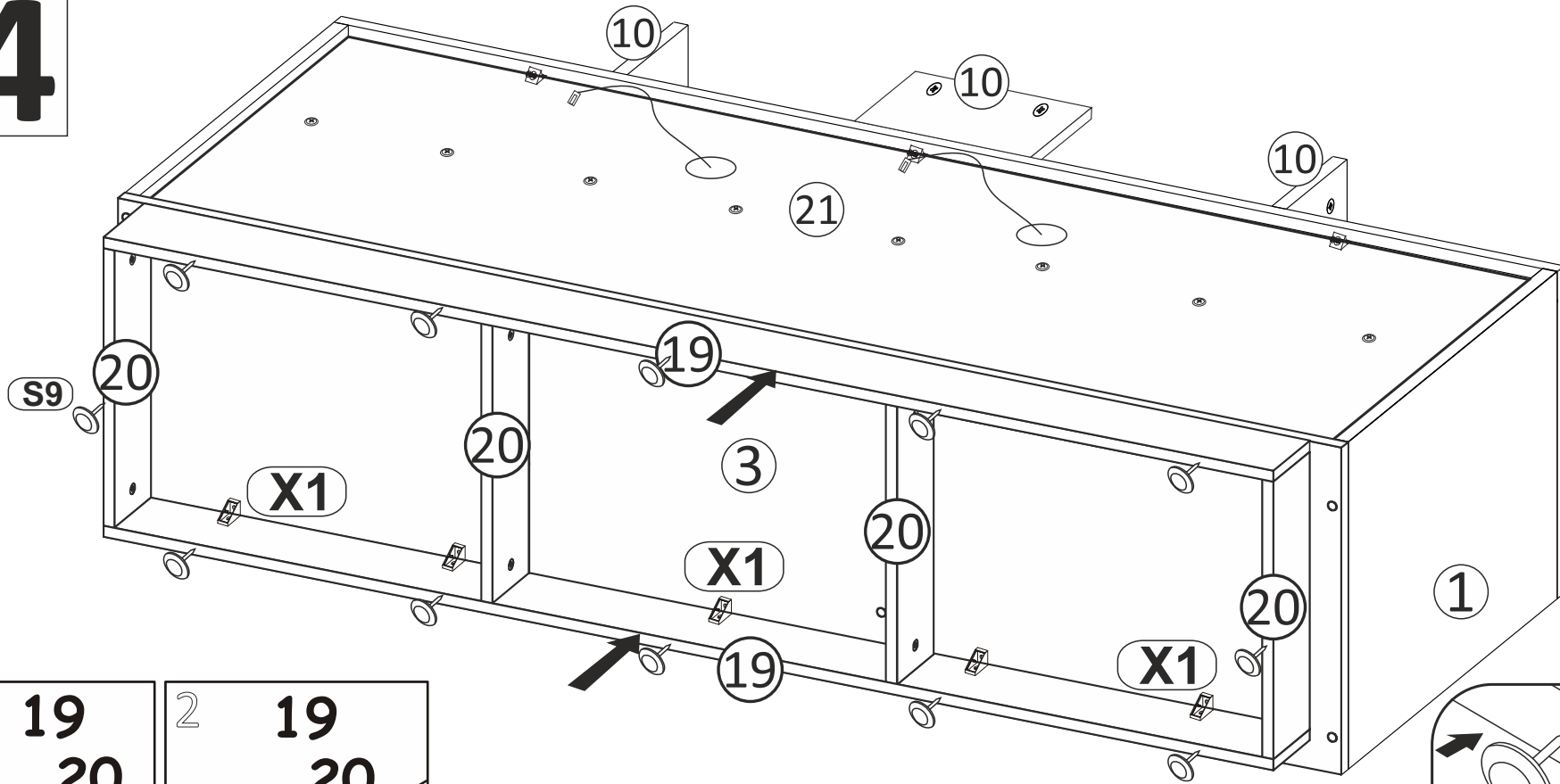




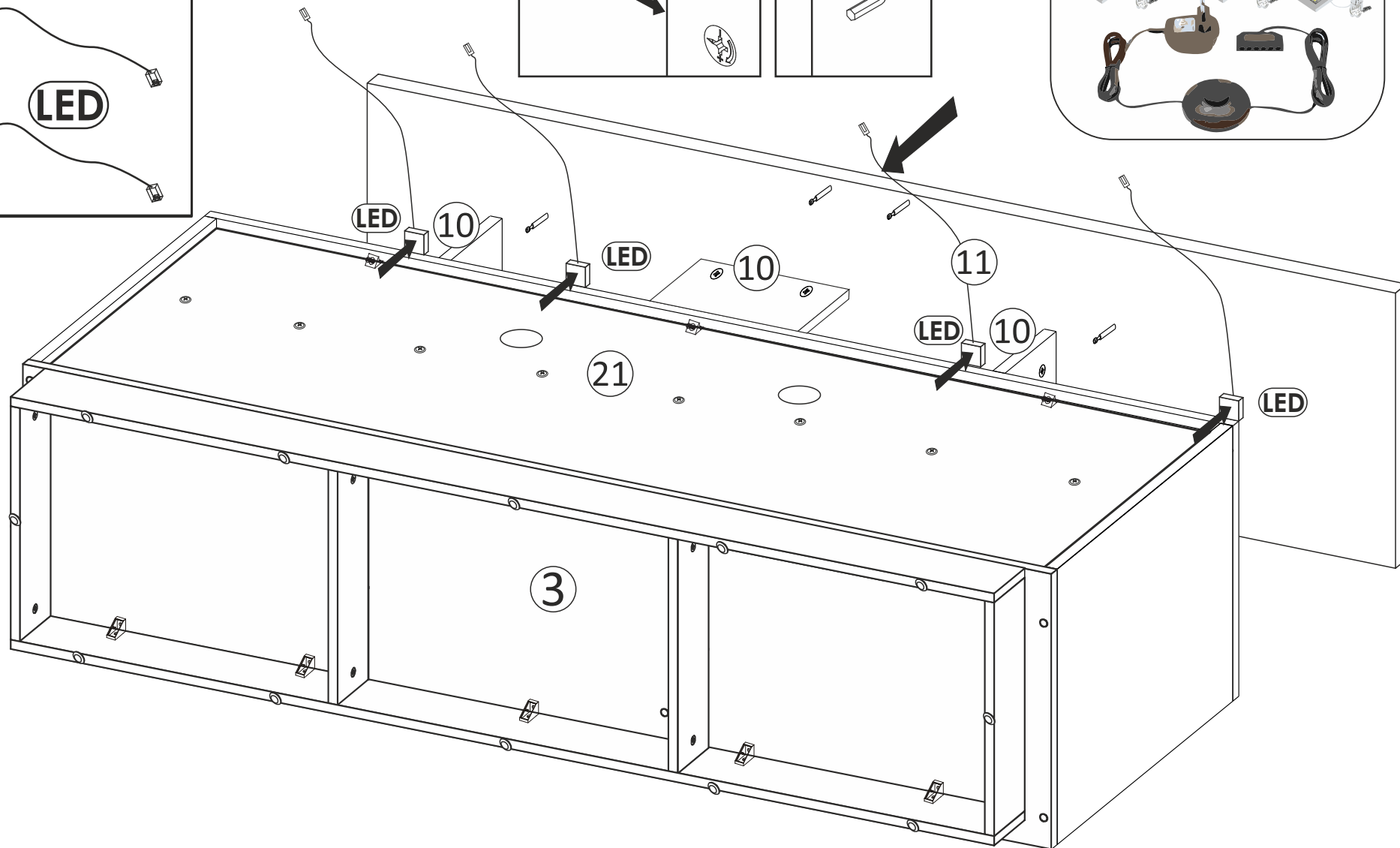
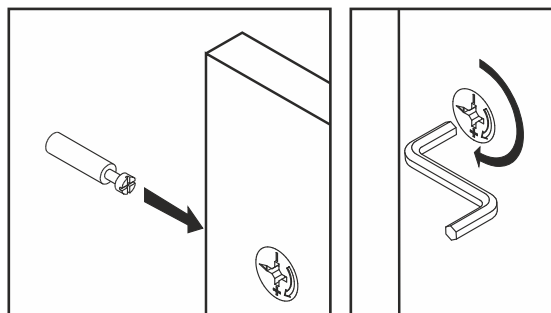
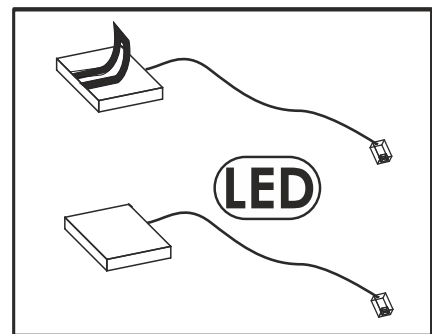








# 15



# 16

