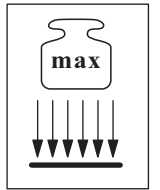
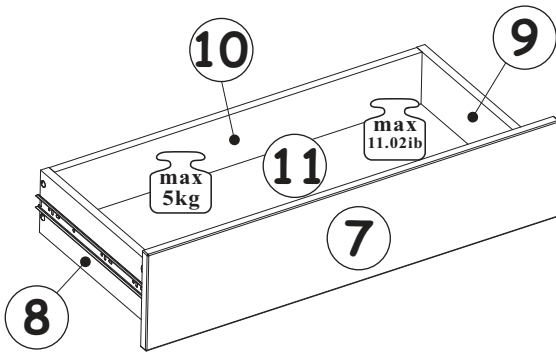
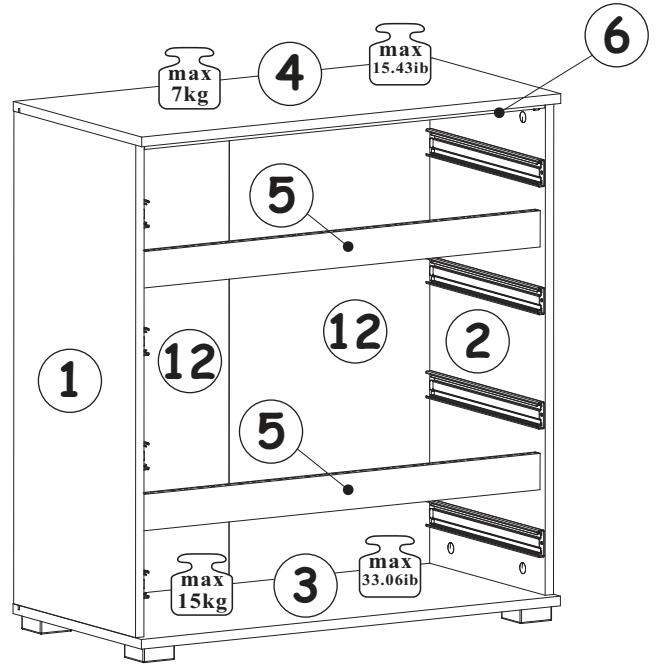
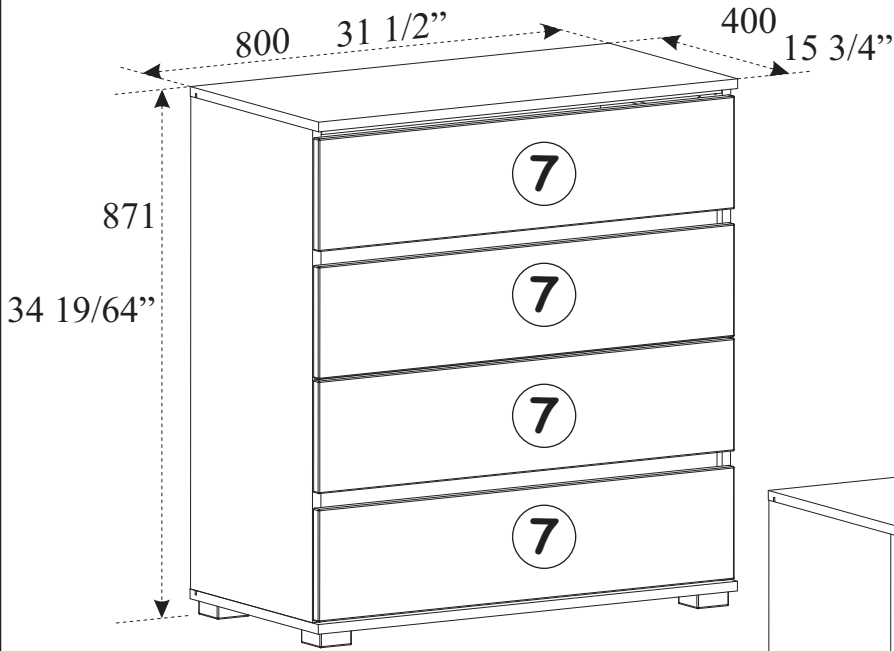
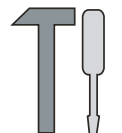
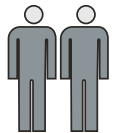


EUPHORIA 08



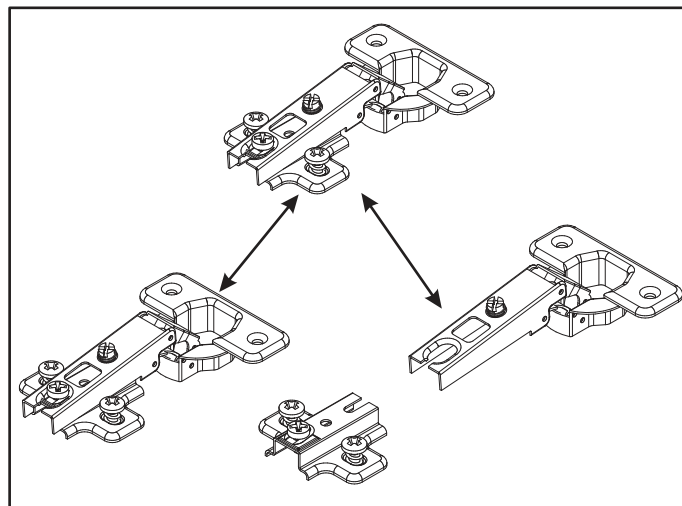
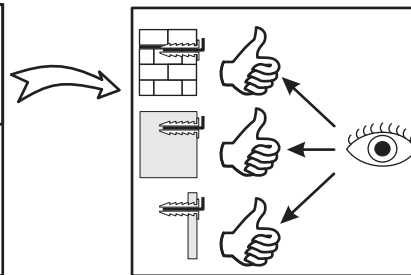
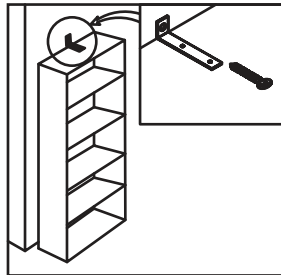
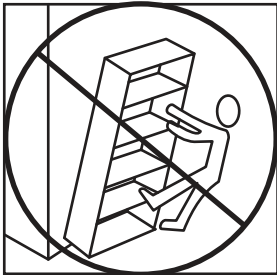
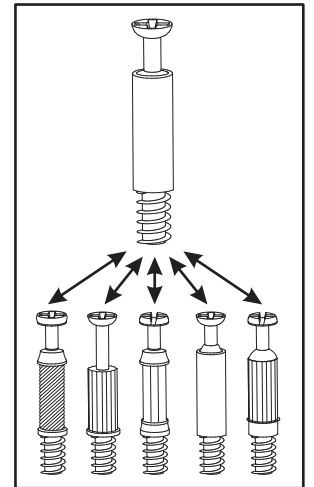
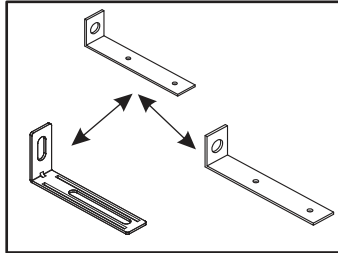
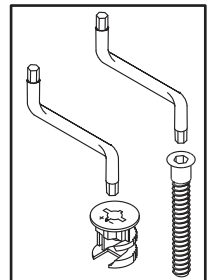
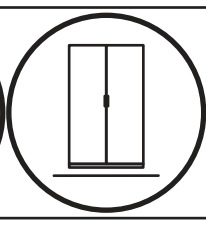
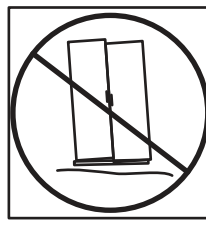
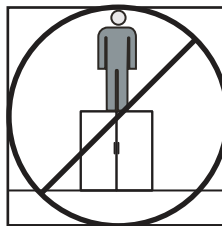
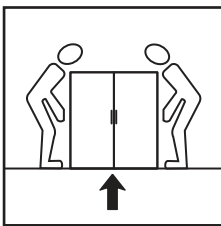
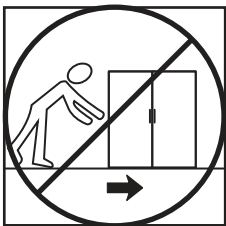
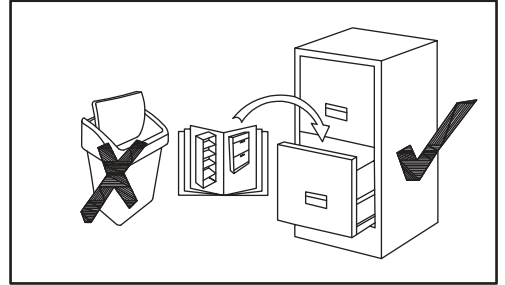
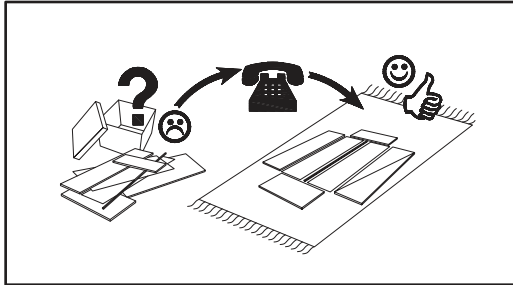
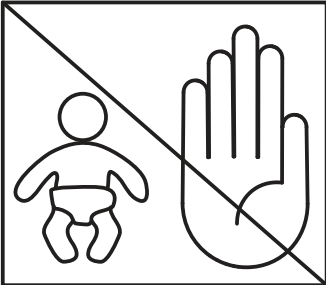
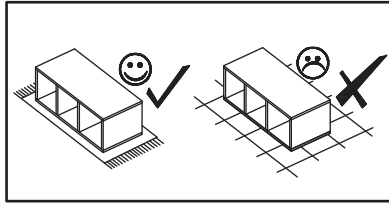
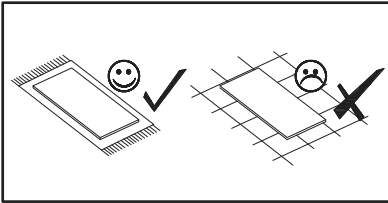
NO	Dim		Col.-No		Qty
8	350	120	16	1	4
10	709	100	16	1	4
9	350	120	16	1	4
11	721	354	3	2	4
7	794	186	16	2	4
1	814	380	16	1	1
2	814	380	16	1	1
5	766	60	16	1	2
12	826	389	3	1	2
4	800	400	16	1	1
3	800	400	16	1	1
6	764	215	5	1	1

NO	Inch			Col.-No	Qty
8	13 25/32	4 23/32	5/8	1	4
10	27 29/32	3 15/16	5/8	1	4
9	13 25/32	4 23/32	5/8	1	4
11	28 25/64	13 15/16	1/8	2	4
7	31 17/64	7 21/64	5/8	2	4
1	32 3/64	14 61/64	5/8	1	1
2	32 3/64	14 61/64	5/8	1	1
5	30 5/32	2 23/64	5/8	1	2
12	32 33/64	15 5/16	1/8	1	2
4	31 1/2	15 3/4	5/8	1	1
2	31 1/2	15 3/4	5/8	1	1
3	30 5/64	8 15/32	13/64	1	1

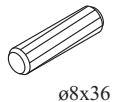
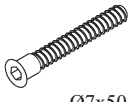




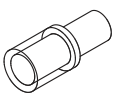
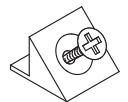
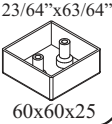
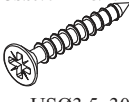
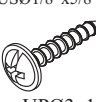

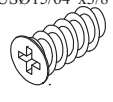


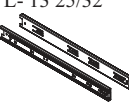


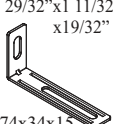




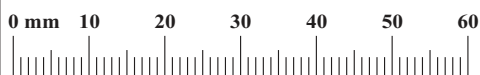
120 min

EUPHORIA 08



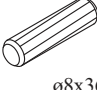
EUPHORIA 08


A1 x24	$\varnothing 5/16'' \times 1 27/64''$  $\varnothing 8 \times 36$	B11 x16	$\varnothing 9/32'' \times 1 31/32''$  $\varnothing 7 \times 50$	G4 x16	 c	B4 x16		B5 x16	$\varnothing 19/32'' \times 15/32''$  $\varnothing 15 \times 12$	G5 x16	
G20 x4		S1 x22		ST21 x4	$2 23/64'' \times 2 23/64'' \times 63/64''$  $60 \times 60 \times 25$	D6 x8	$US \varnothing 9/64'' \times 1 3/16''$  $US \varnothing 3,5 \times 30$	UP13 x20	$US \varnothing 1/8'' \times 5/8''$  $UP \varnothing 3 \times 16$	D10 x18	$US \varnothing 9/64'' \times 33/64''$  $US \varnothing 3,5 \times 13$
D20 x16	$US \varnothing 15/64'' \times 3/8''$  $ES \varnothing 6 \times 9,5$	EK10 x1	$EK \varnothing 15/64'' \times 5/8''$  $EK \varnothing 6,3 \times 16$	DS1 x1		H8 x4	$L-13 25/32''$  $L-350mm.$	LZ3 x1		LED x2	
L1 x1	$2 29/32'' \times 1 11/32'' \times 19/32''$  $74 \times 34 \times 15$	KR5 SFXP x1	$\varnothing 25/64'' \times 1 31/32'' \times 2 23/64''$  $\varnothing 10/50 \times 60$	G2 x1							

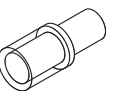


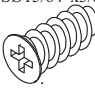
EUPHORIA 08


1

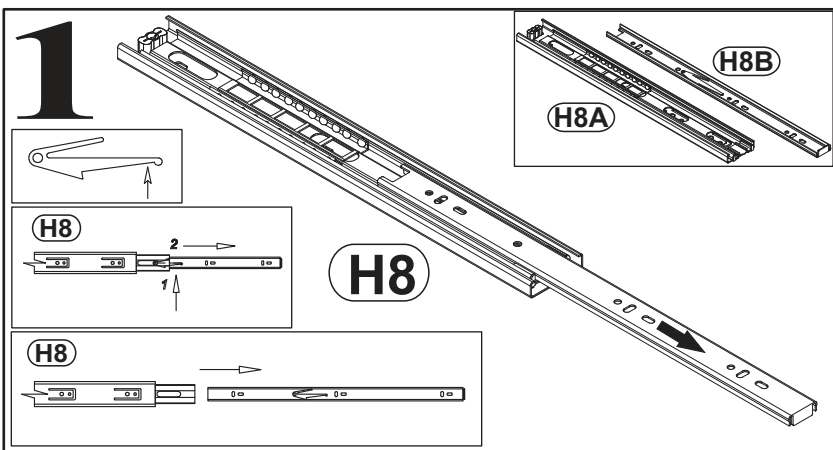
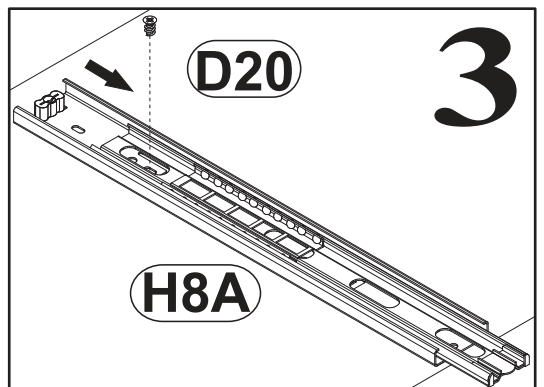
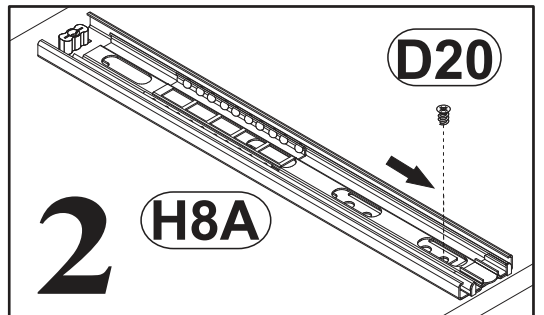
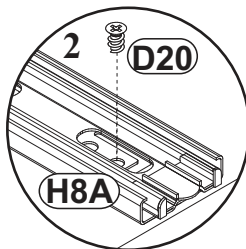
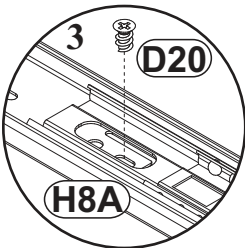
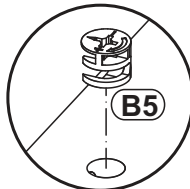
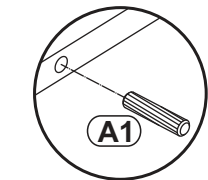
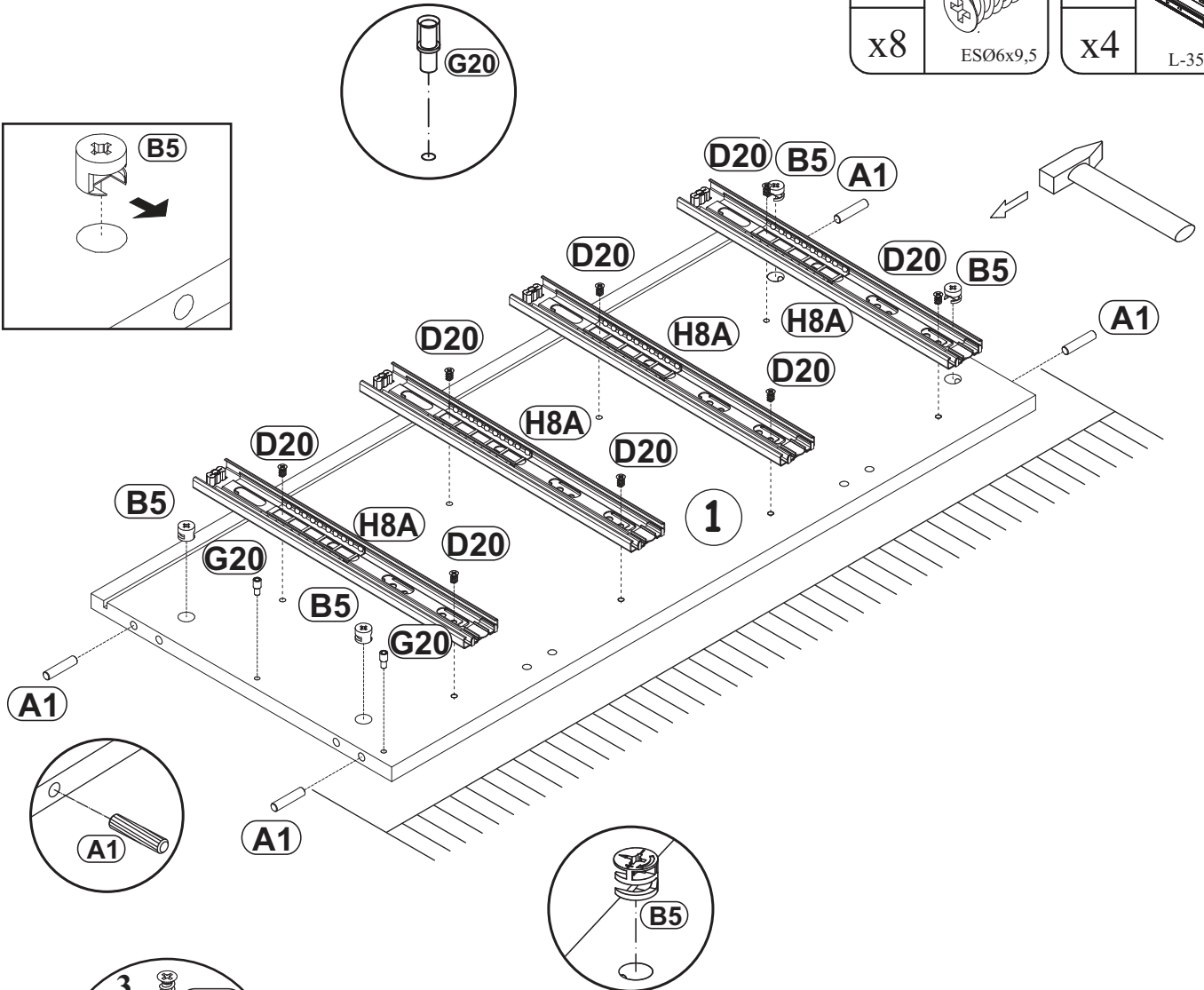
A1	Ø5/16"x1 27/64"
x4	 ø8x36

B5	Ø19/32"x15/32"
x4	 Ø15x12

G20	
x2	

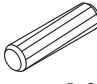
D20	USØ15/64"x3/8"
x8	 ESØ6x9,5


H8	L- 13 25/32"
x4	 L-350mm.




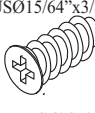
EUPHORIA 08

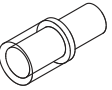
2

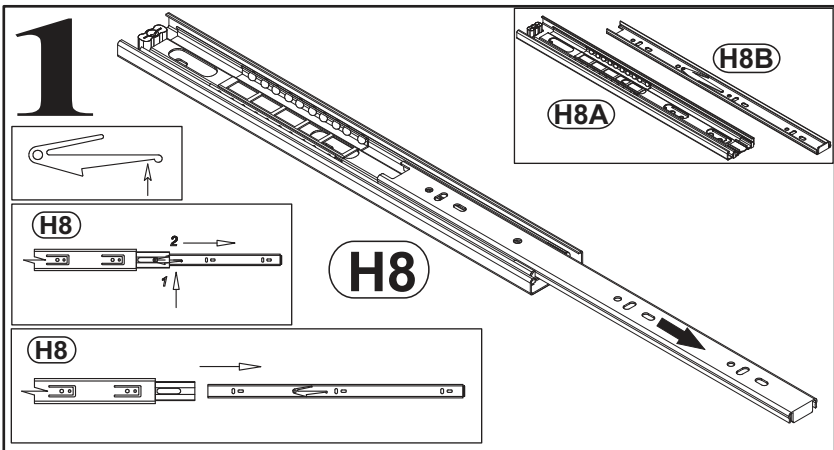
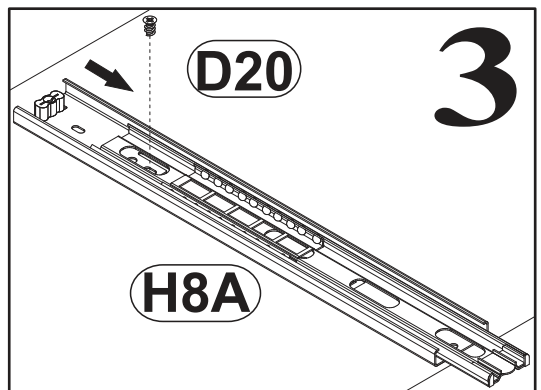
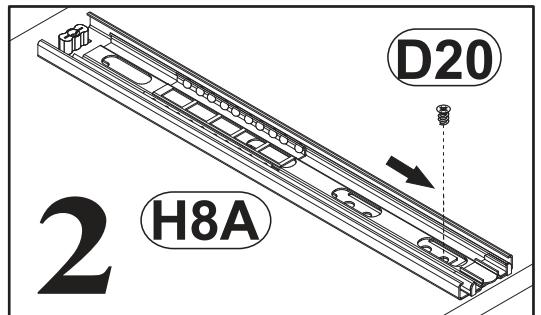
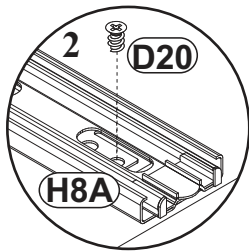
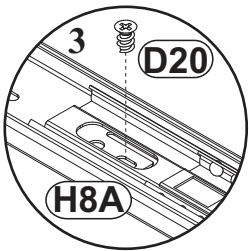
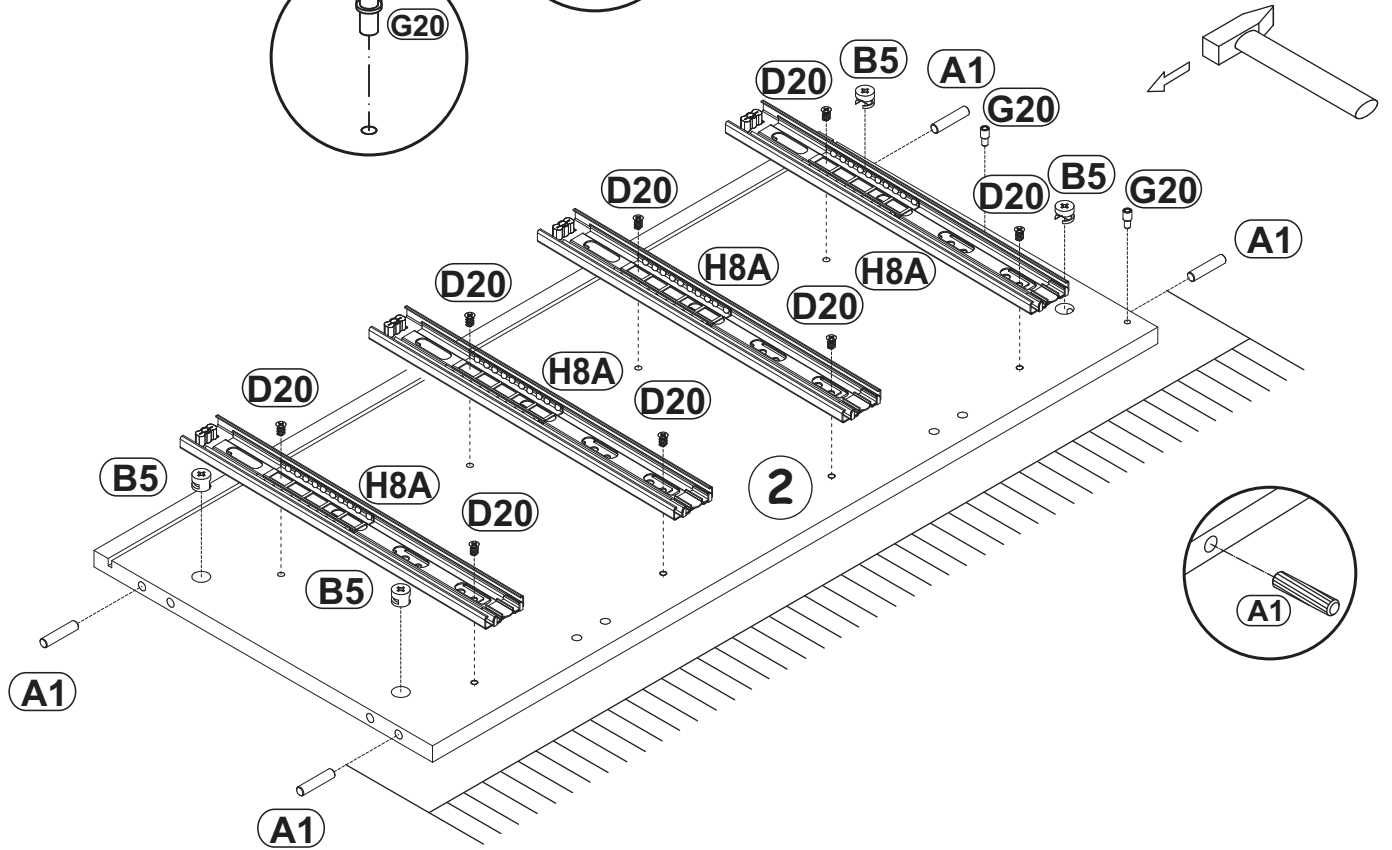
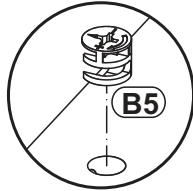
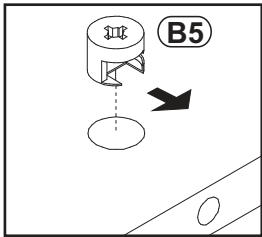
A1	Ø5/16"x1 27/64"
x4	 ø8x36

B5	ø19/32"x15/32"
x4	 Ø15x12

H8	L- 13 25/32"
x4	 L-350mm.

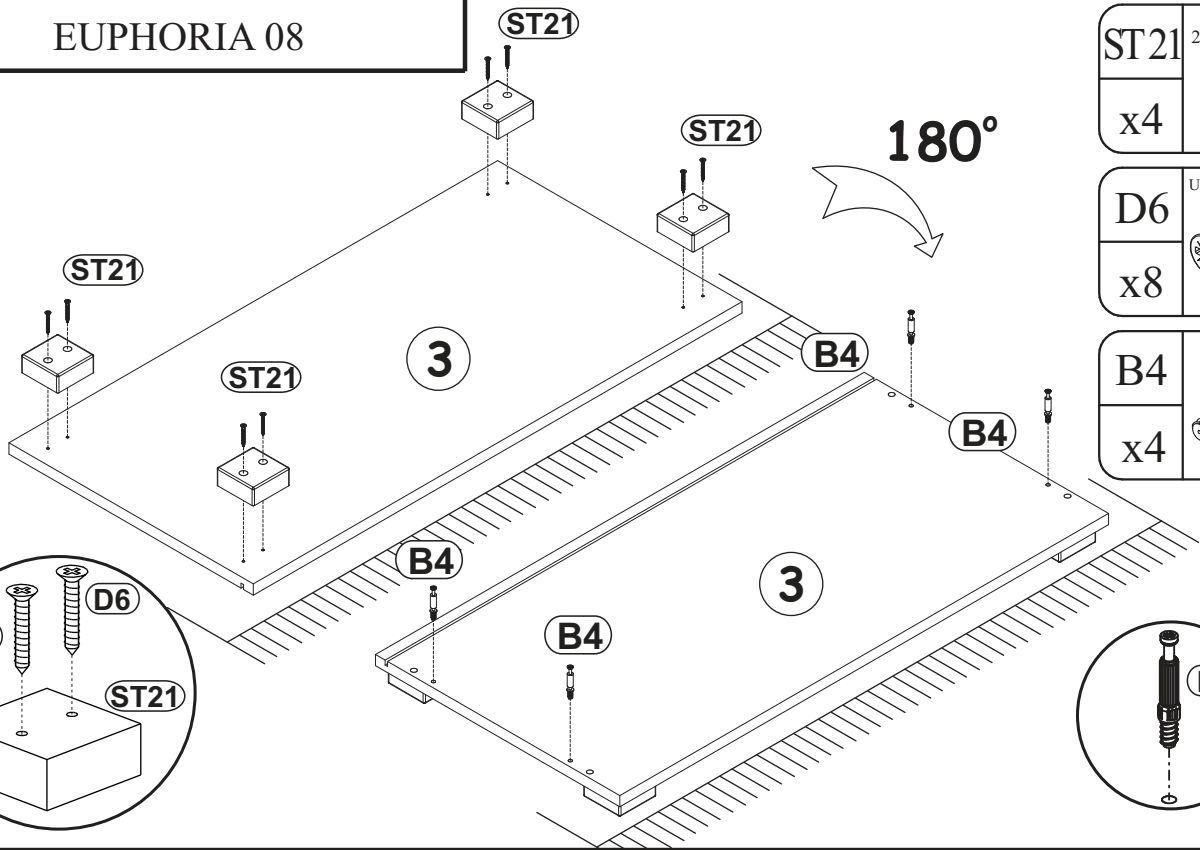
D20	USØ15/64"x3/8"
x8	 ESØ6x9,5

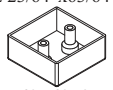
G20	
x2	




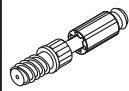
EUPHORIA 08

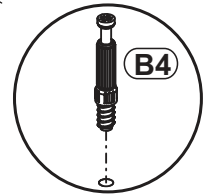
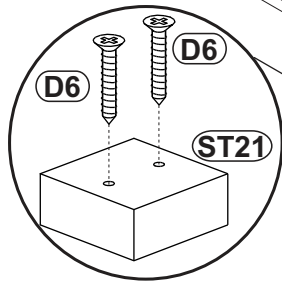
3



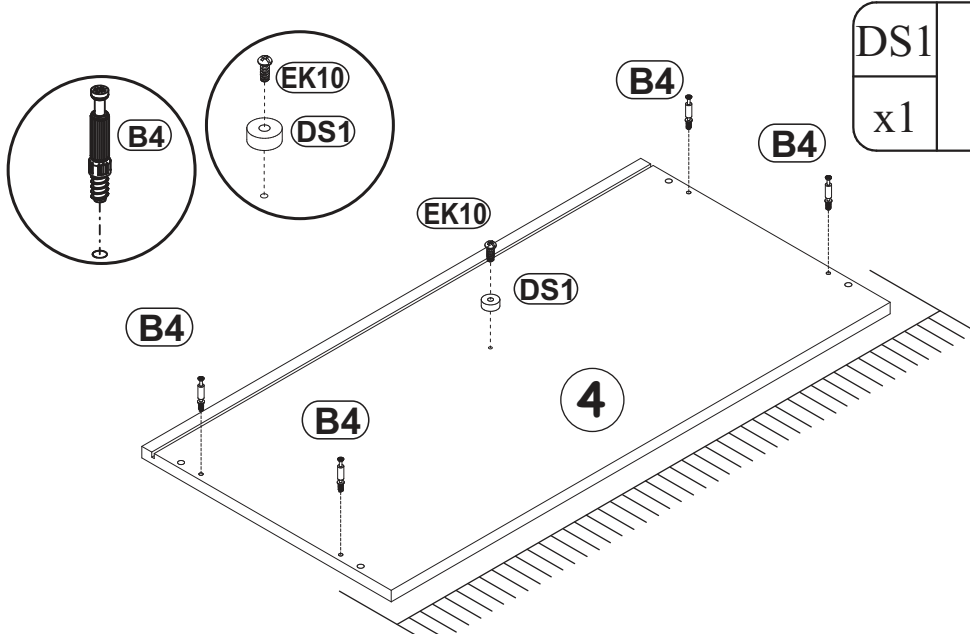
ST21	2 23/64" x 2 23/64" x 63/64"
x4	 60x60x25

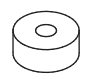
D6	US09/64" x 1 3/16"
x8	 US03,5x30

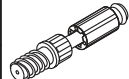
B4	
x4	




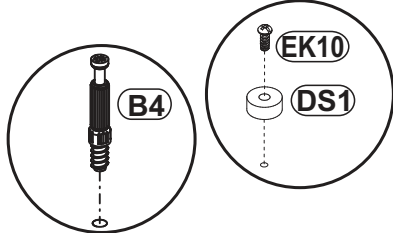
4



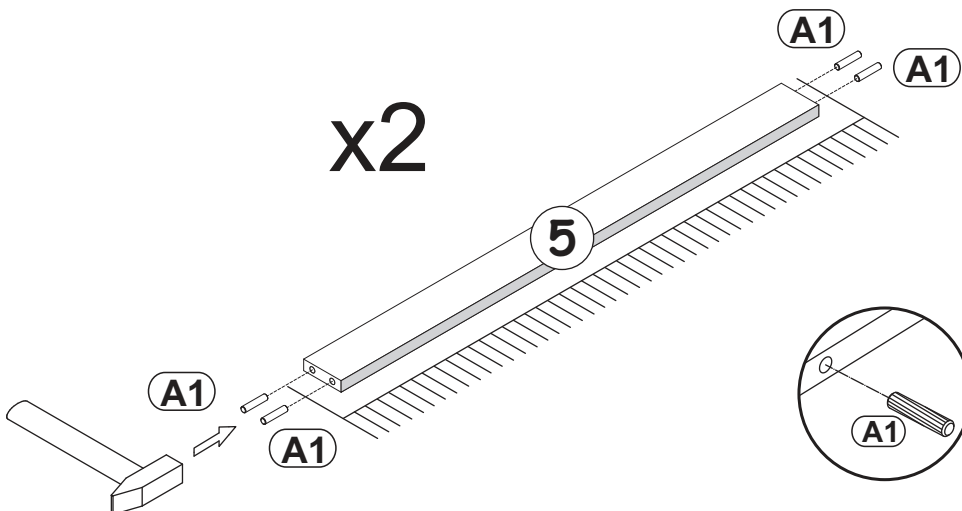
DS1	
x1	

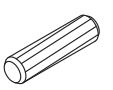
B4	
x4	

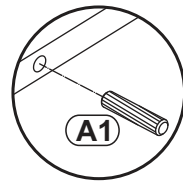
EK10	EK015/64" x 5/8"
x1	 EK06,3x16




5




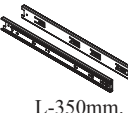
A1	05/16" x 1 27/64"
x8	 ø8x36

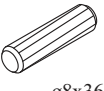


EUPHORIA 08

B5	Ø19/32"x15/32" Ø15x12
x8	

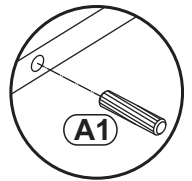
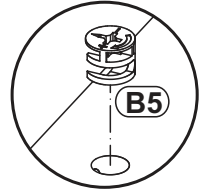
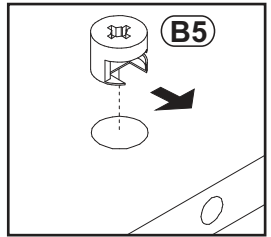
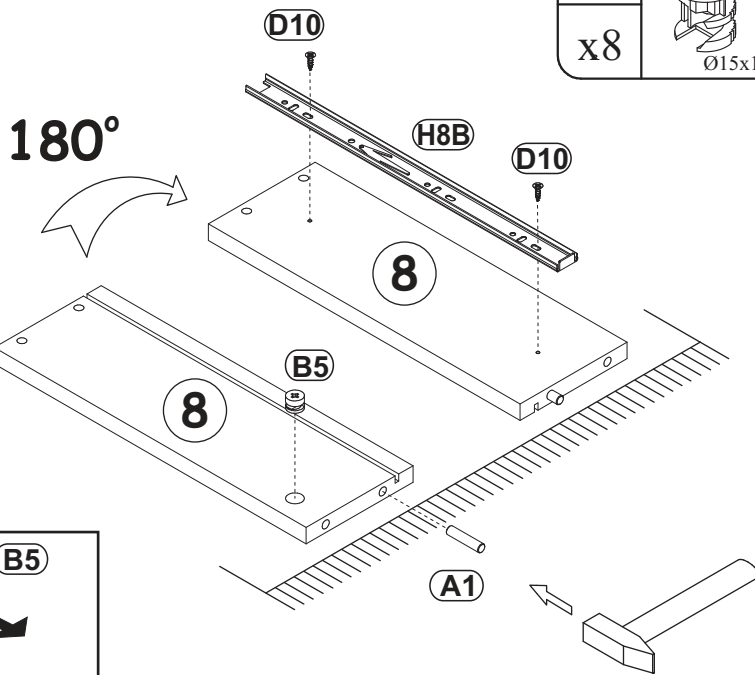
D10	USØ9/64"x33/64"
x16	

H8	L- 13 25/32"
x4	 L-350mm.

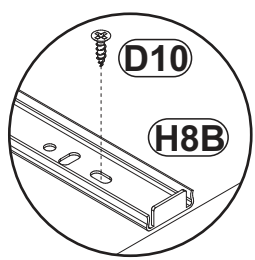
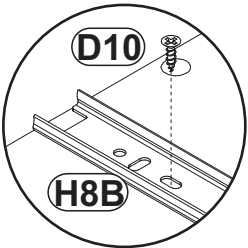
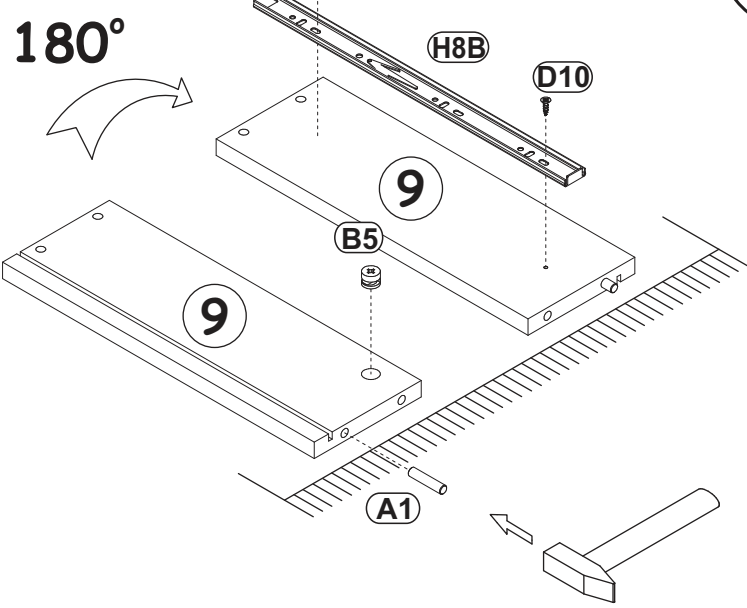
A1	Ø5/16"x1 27/64"
x8	 Ø8x36

x4

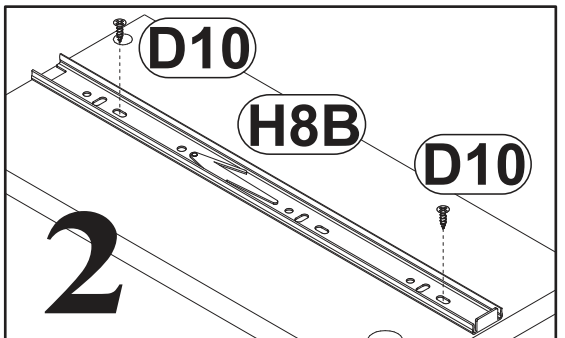
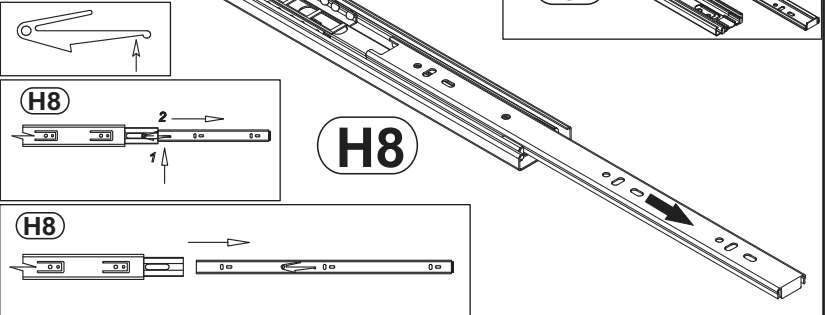
6 a)



b)



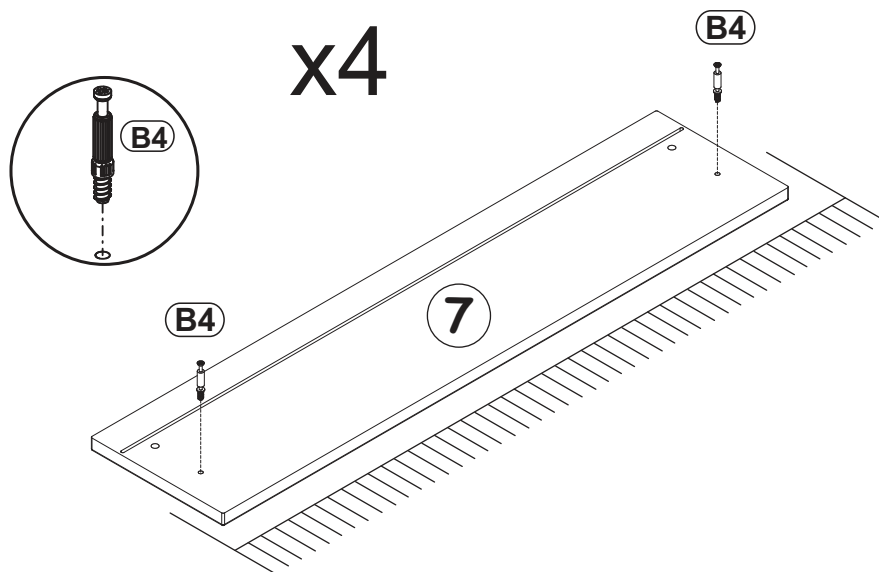
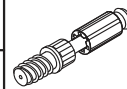
1



7

B4

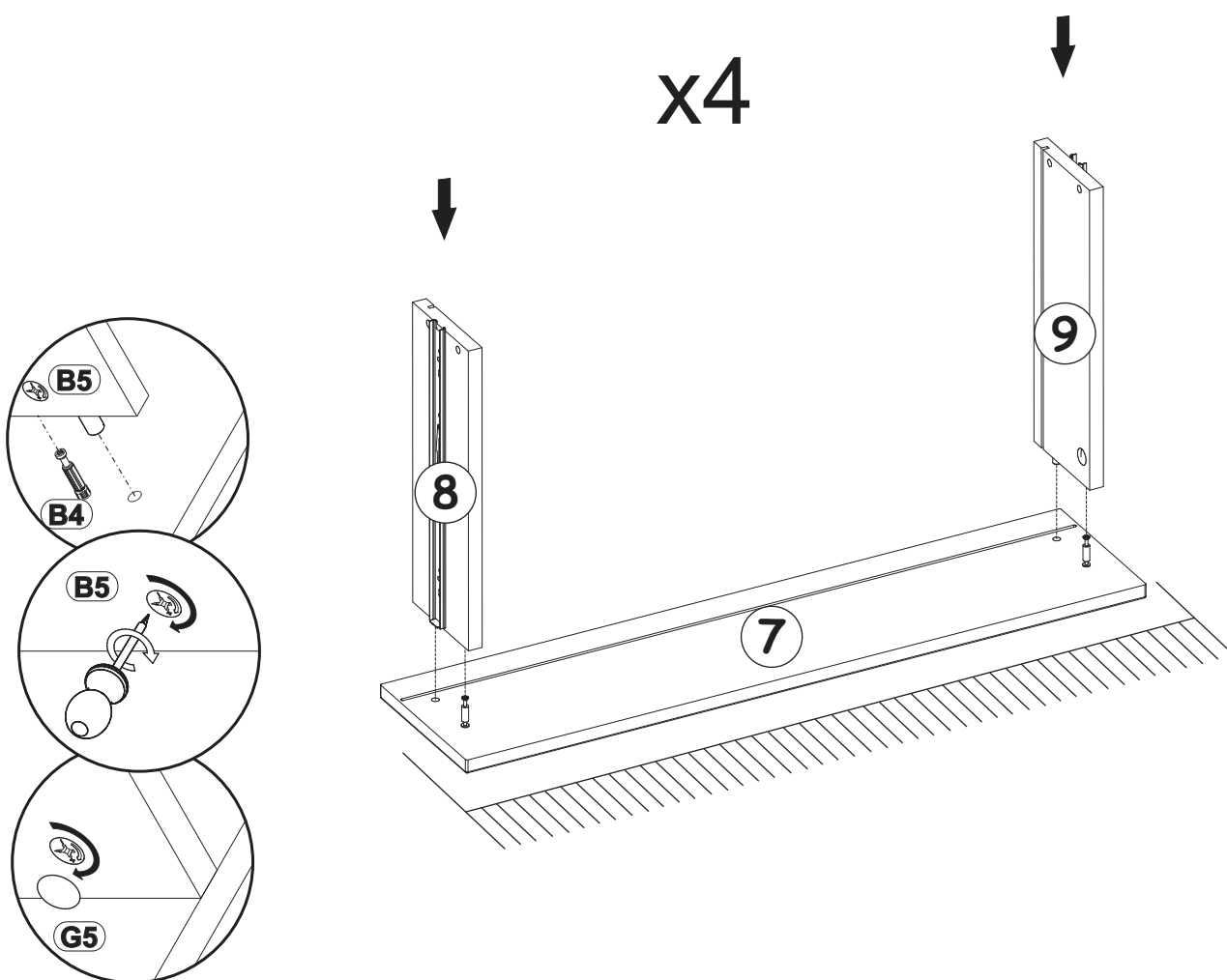
x8



8

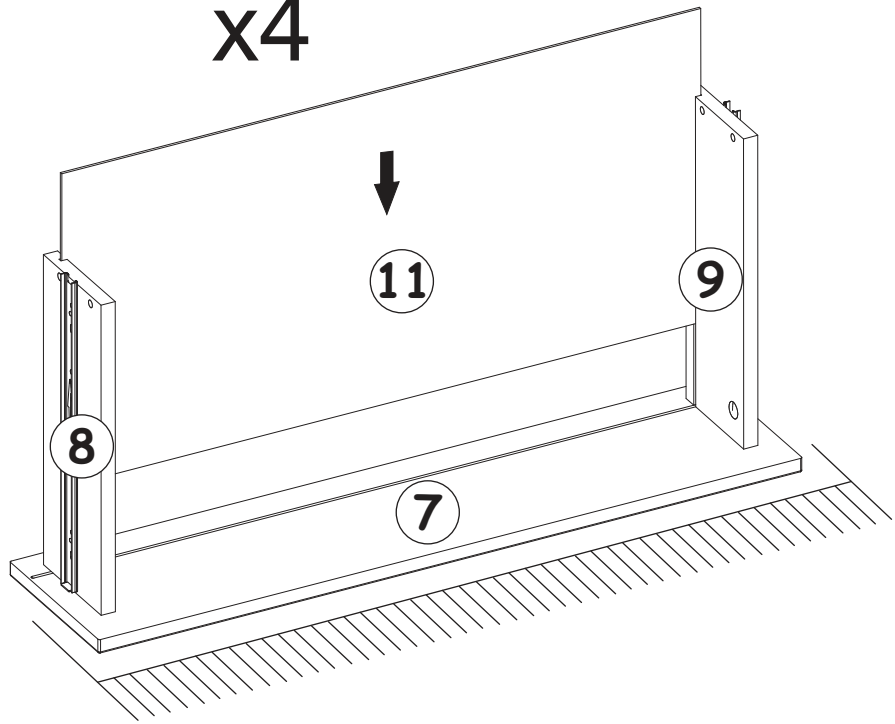
G5

x8

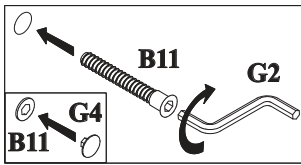


9

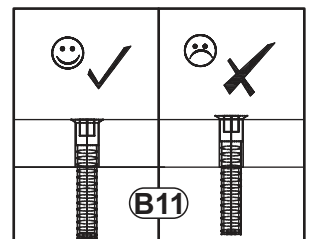
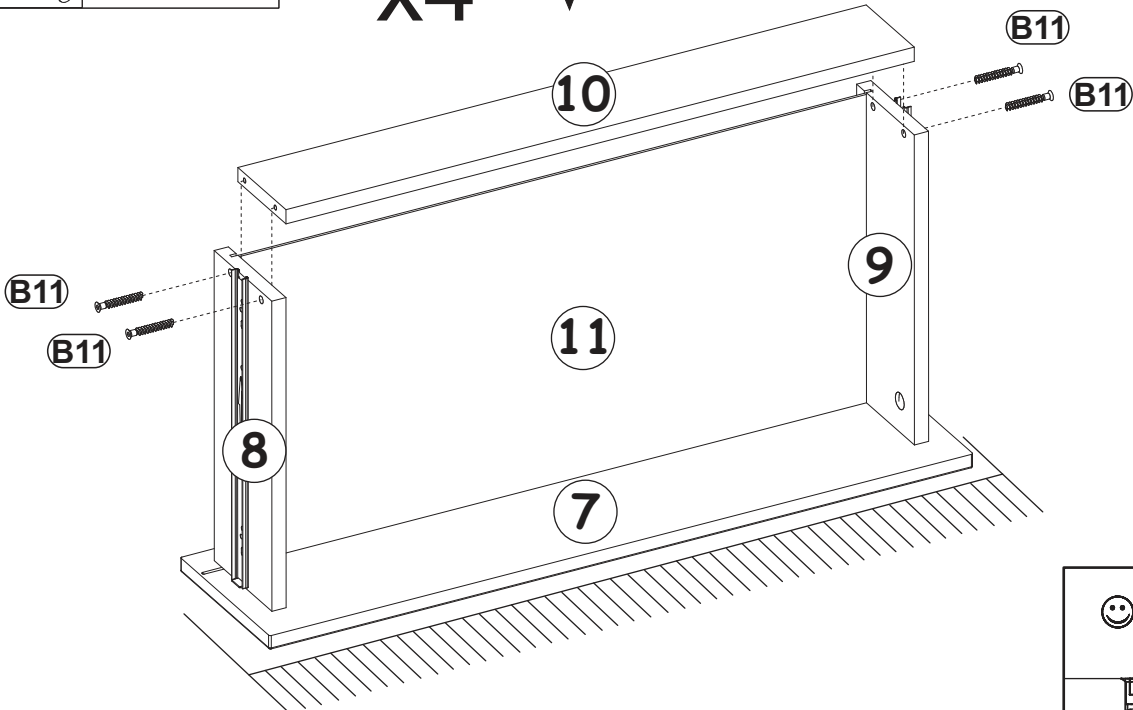
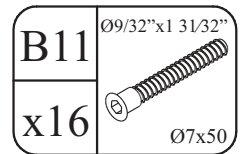
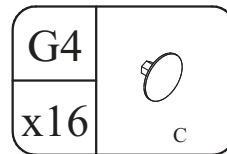
x4

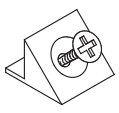



10

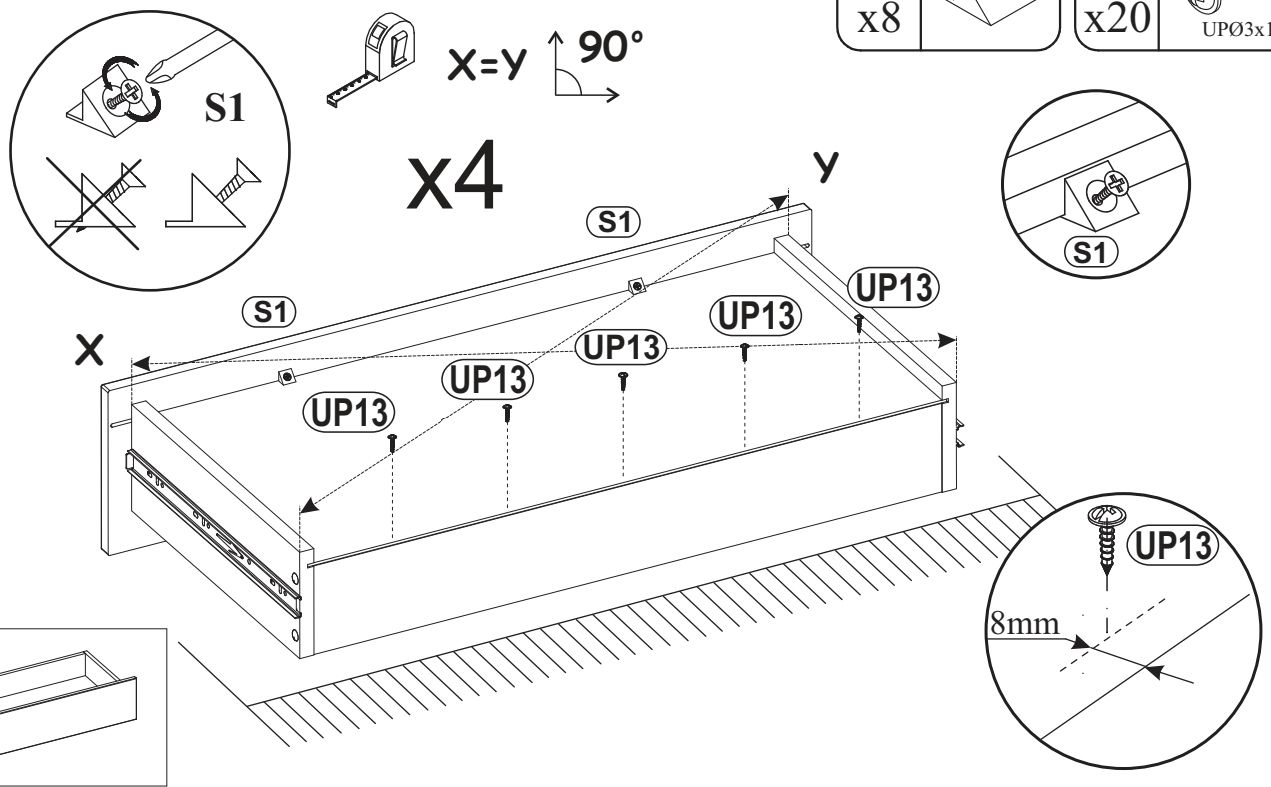


x4 ↓

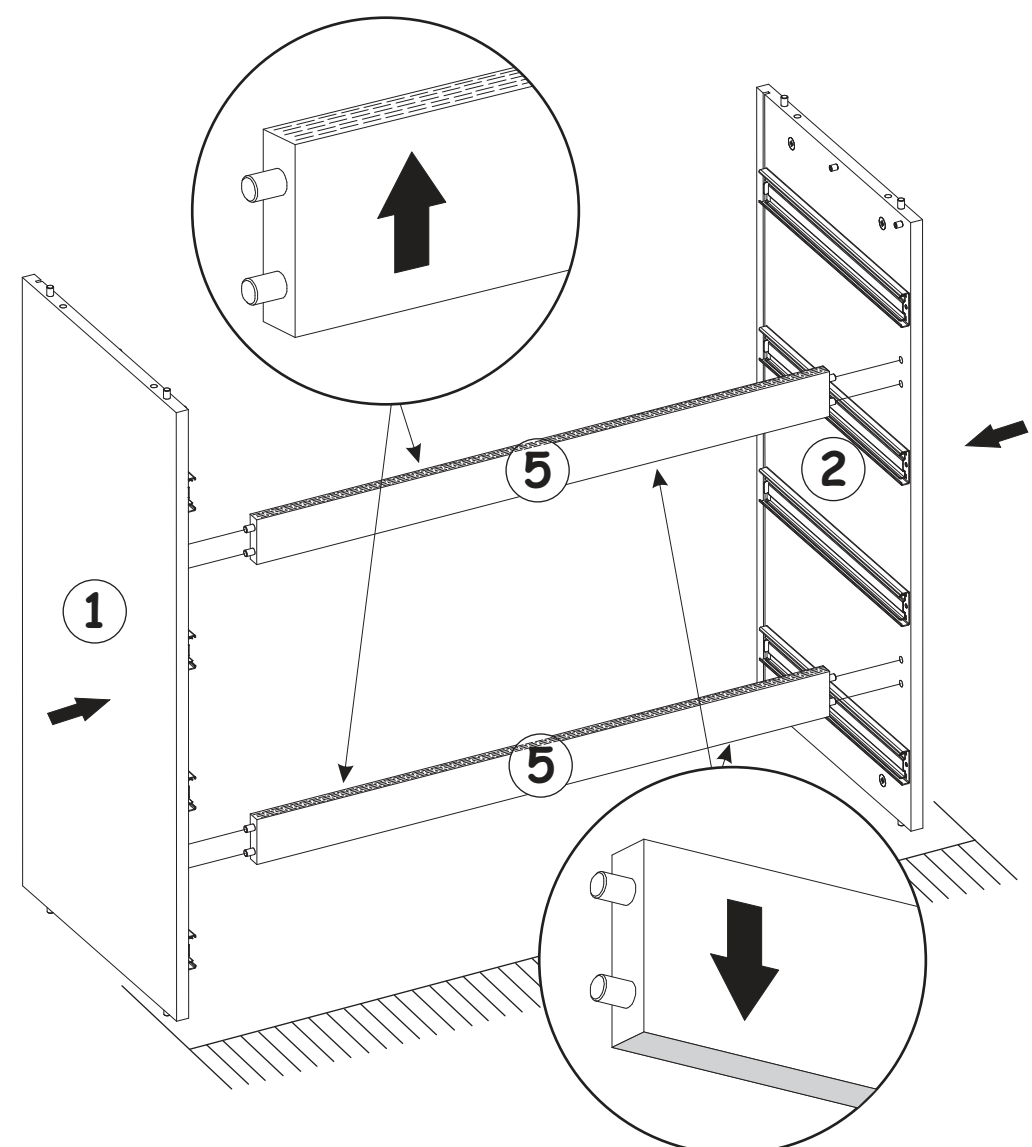


S1		UP13	US01/8"x5/8"
x8		x20	 UPØ3x16

11

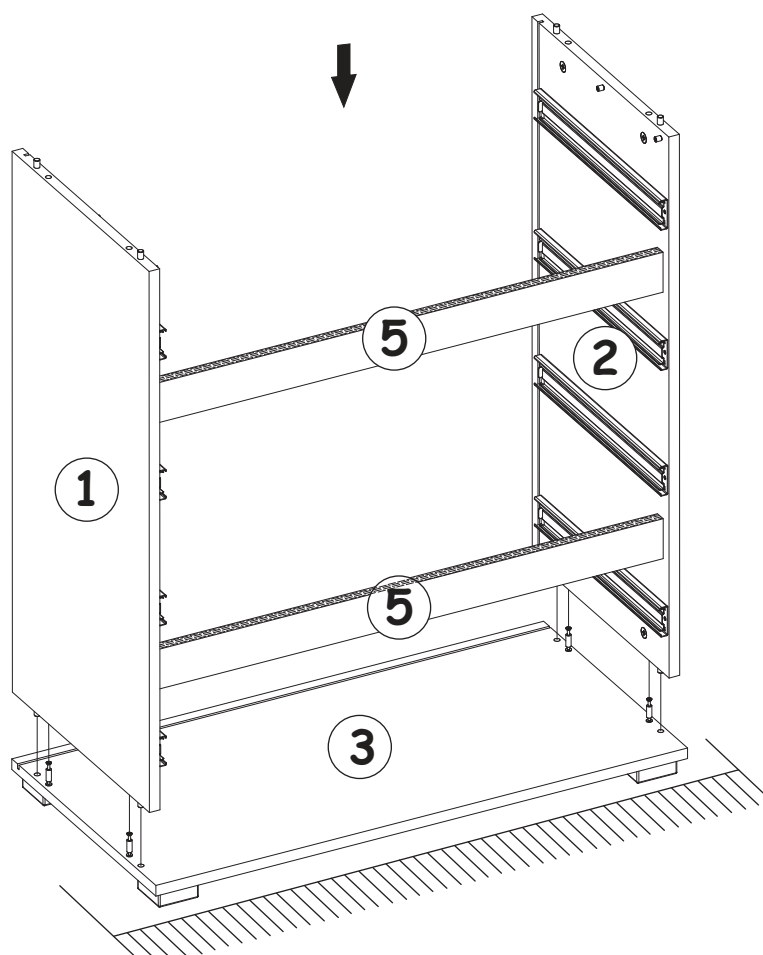
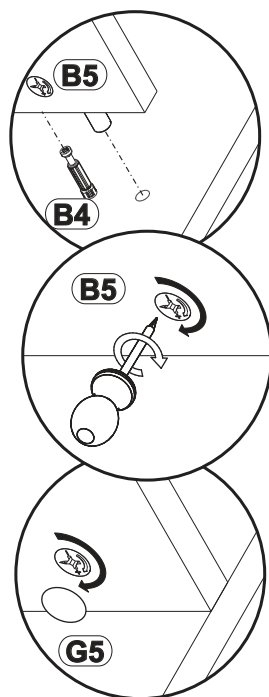


12

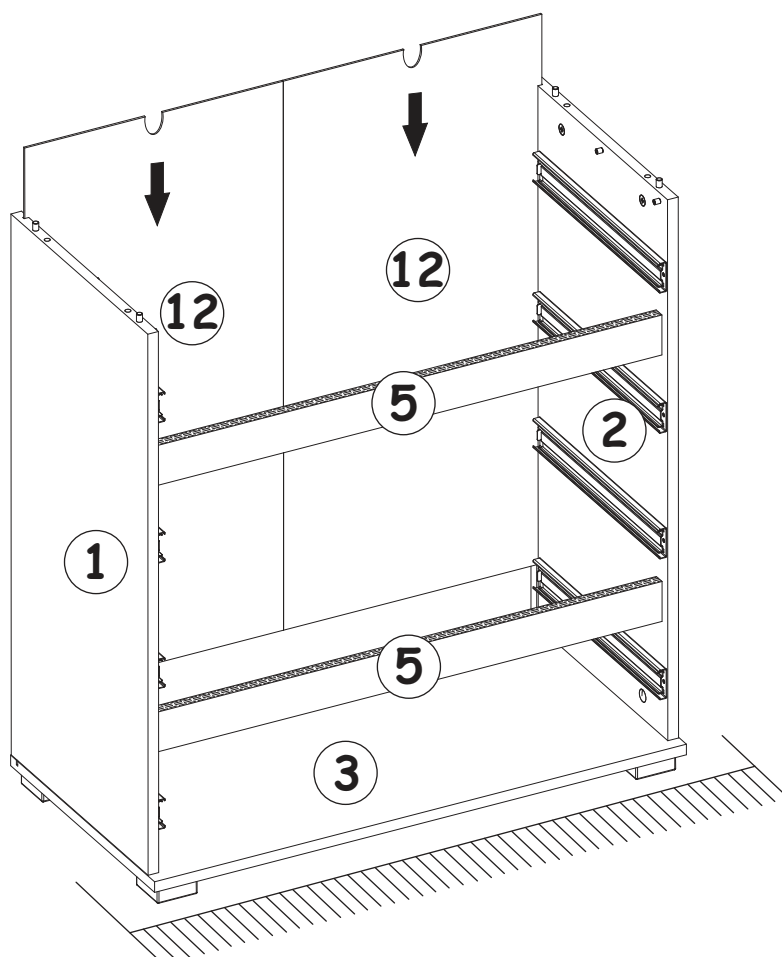





13

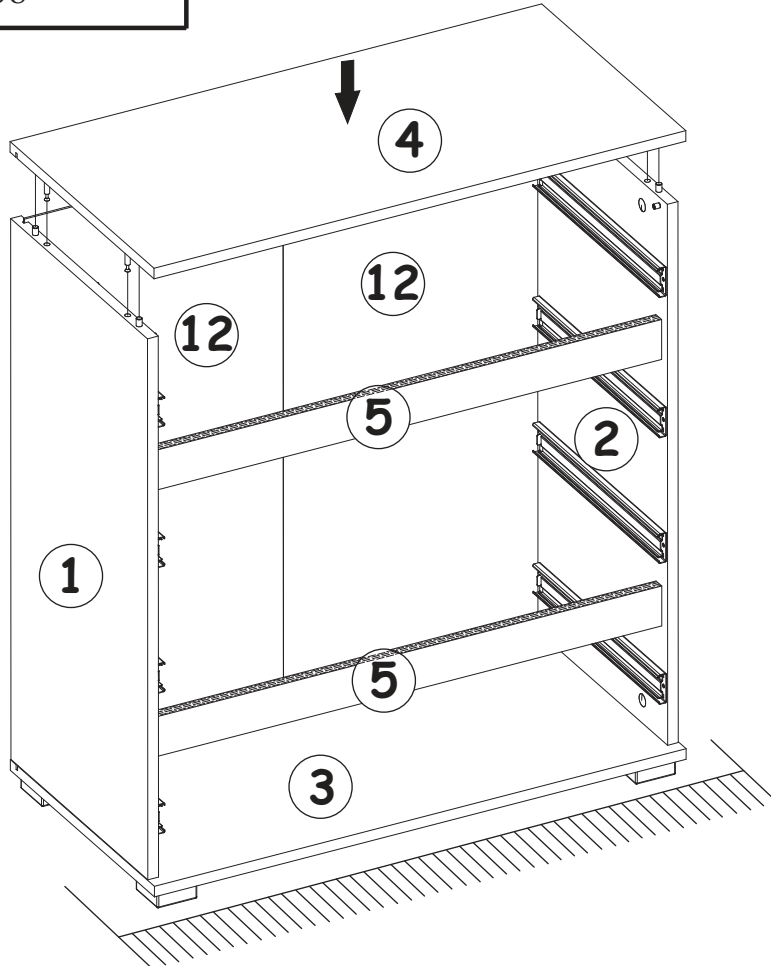
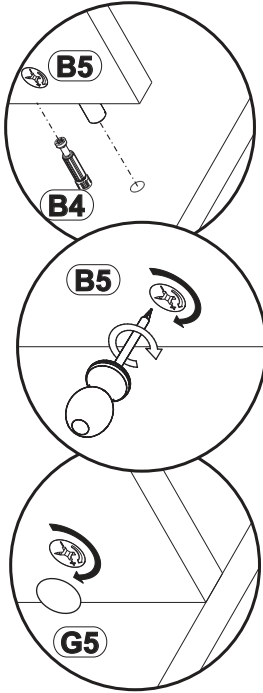


14

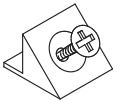


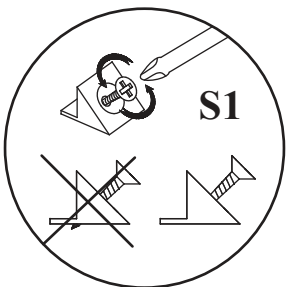
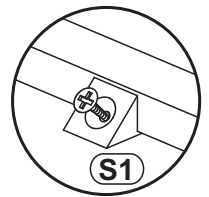
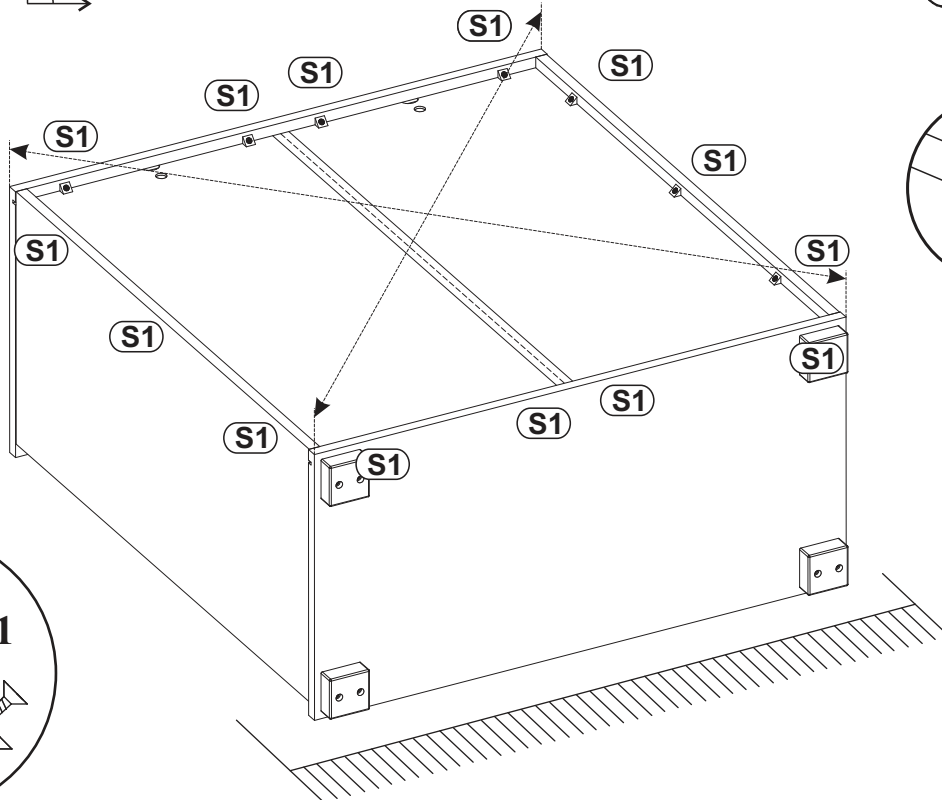
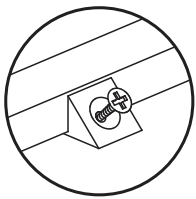
15

G5	
x4	

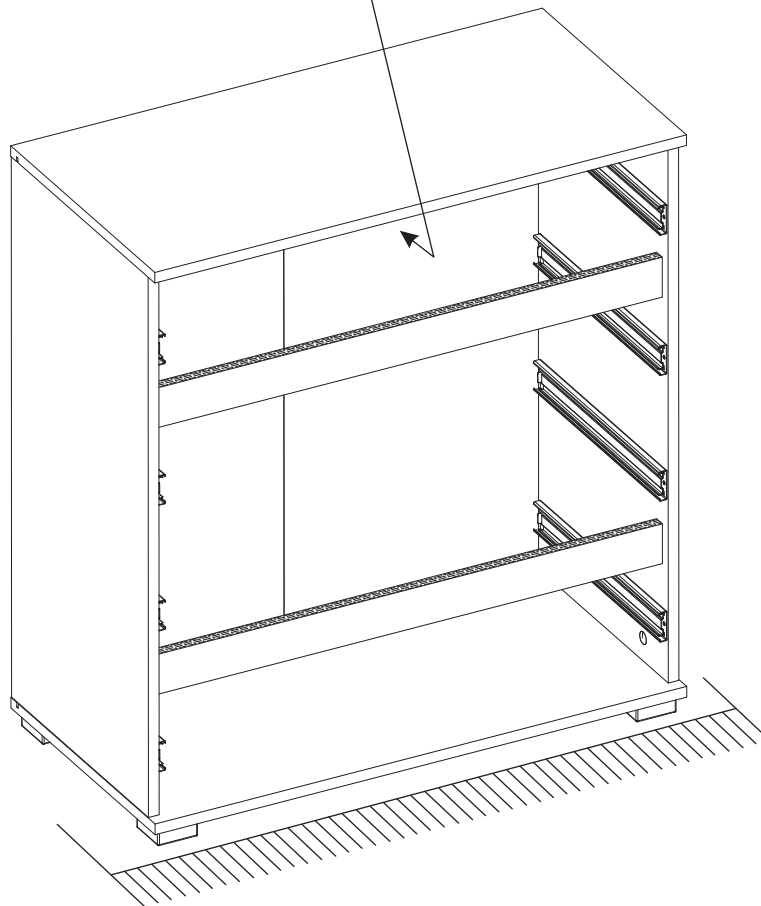
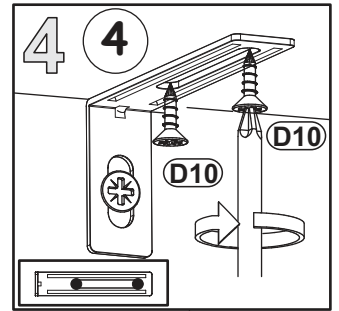
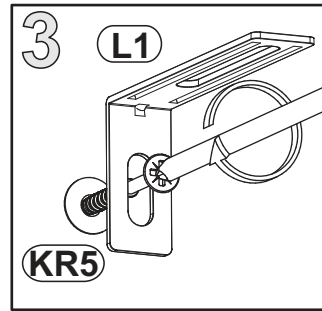
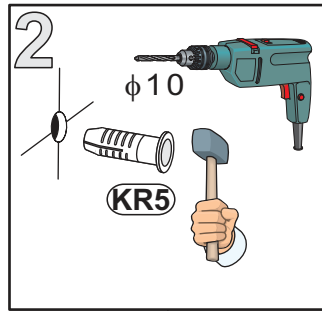
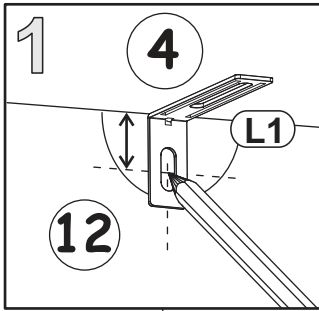
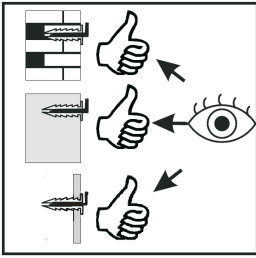
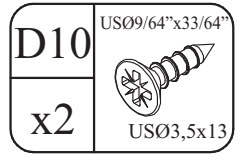
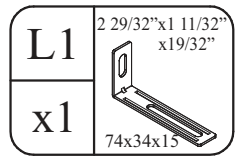
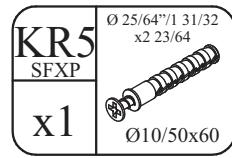



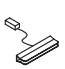
16

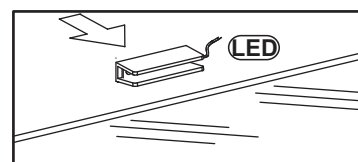
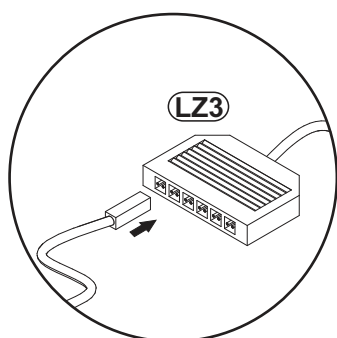
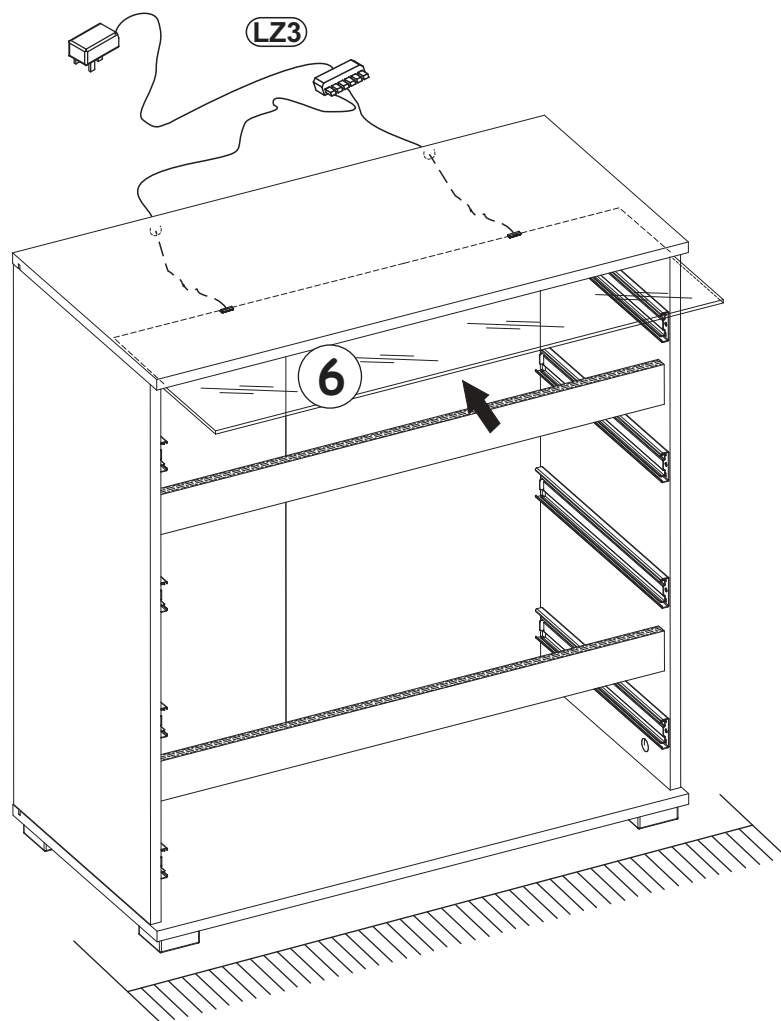
S1	
x14	



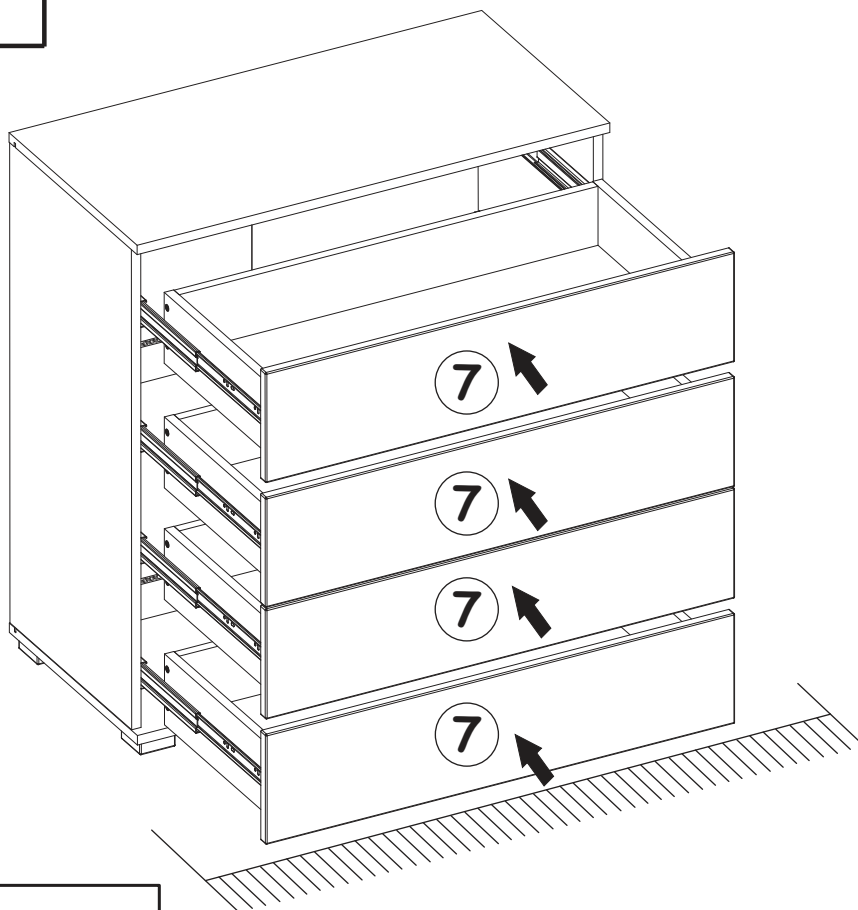
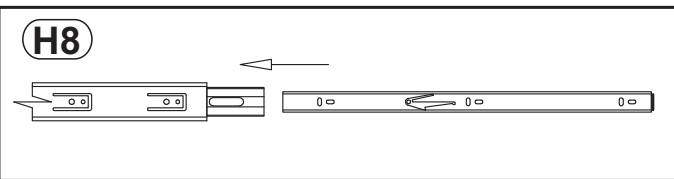
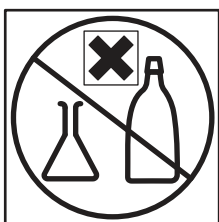
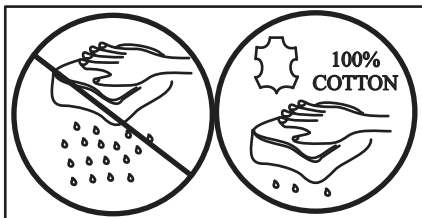
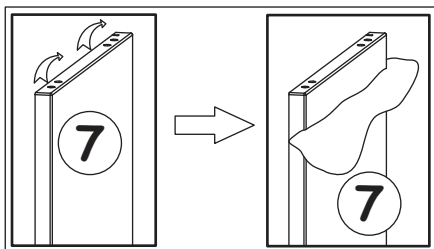
17



LZ3		LED	
x1		x2	



19



20

