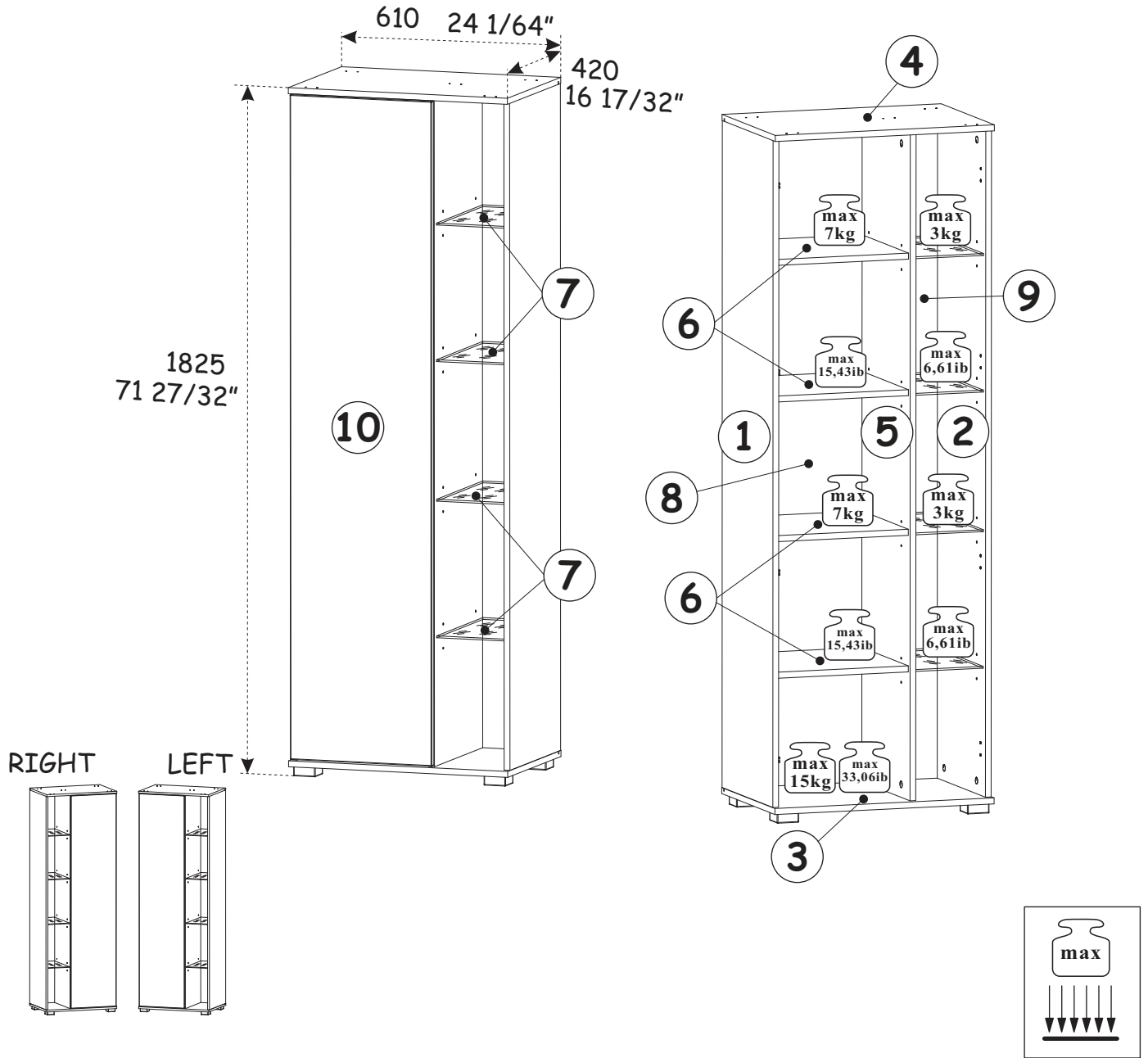
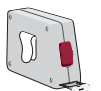
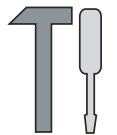
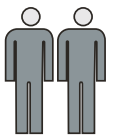


# EUPHORIA 05



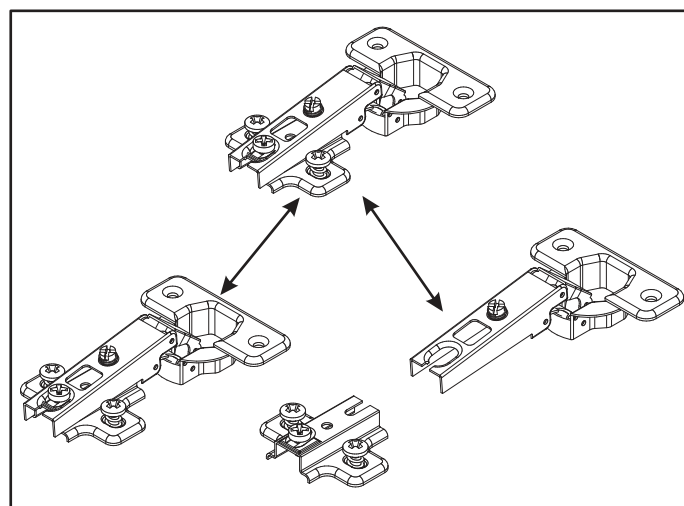
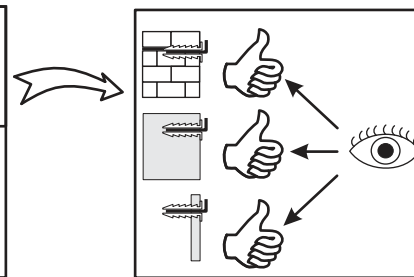
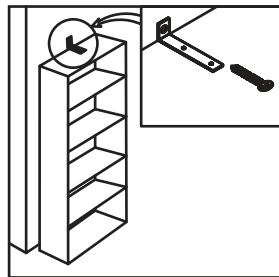
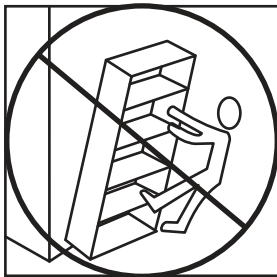
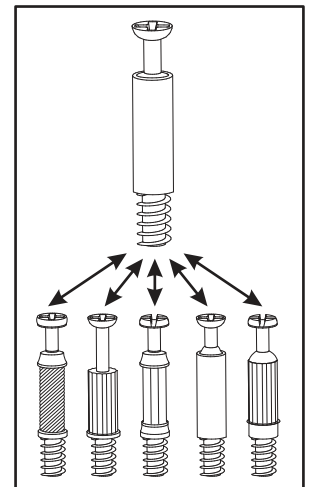
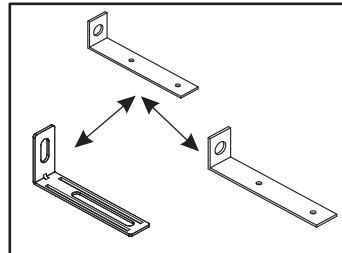
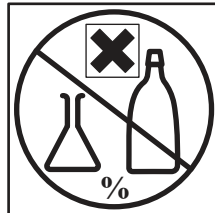
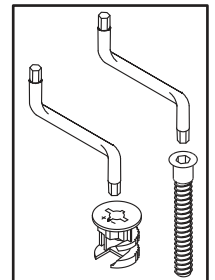
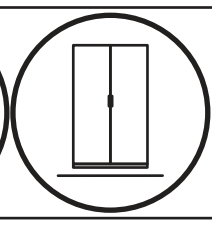
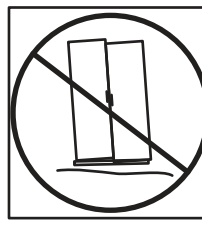
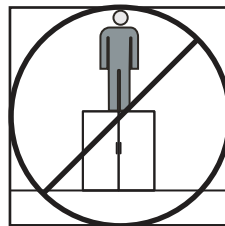
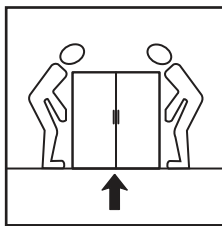
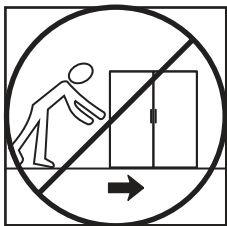
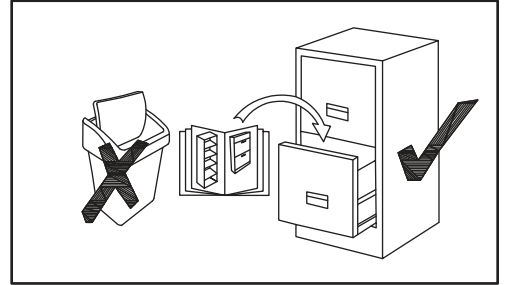
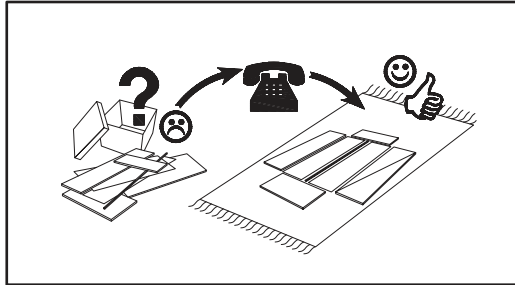
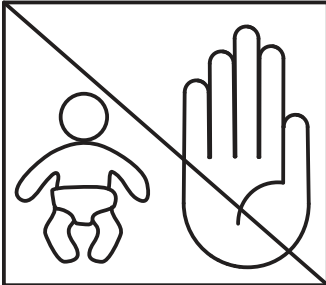
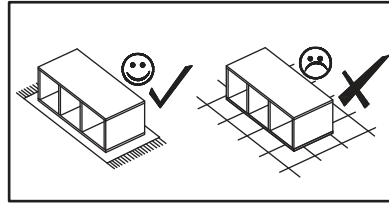
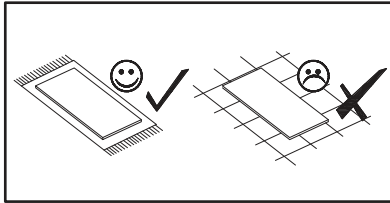
NO	Dim			Col.-No	Qty
1	1768	400	16	2	1
2	1768	400	16	2	1
3	610	420	16	1	1
4	610	420	16	1	1
5	1768	380	16	2	1
6	366	366	16	1	4
7	192	365	5	1	4
8	1780	379	3	2	1
9	1780	207	3	2	1
10	394	1762	16	2	1

NO	Inch			Col.-No	Qty
1	69 39/64	15 3/4	5/8	2	1
2	69 39/64	15 3/4	5/8	2	1
3	24 1/64	16 17/32	5/8	1	1
4	24 1/64	16 17/32	5/8	1	1
5	69 39/64	14 61/64	5/8	2	1
6	14 13/32	14 13/32	5/8	1	4
7	7 9/16	14 3/8	13/64	1	4
8	70 5/64	14 59/64	1/8	2	1
9	70 5/64	8 5/32	1/8	2	1
10	15 33/64	69 3/8	5/8	2	1



90 min

# EUPHORIA 05



# EUPHORIA 05

A1  $\varnothing 5/16'' \times 1 27/64''$   
x12  $\varnothing 8 \times 36$

B4  
X12

B5  $\varnothing 19/32'' \times 15/32''$   
x12  $\varnothing 15 \times 12$

OD1  
x1

E2  
x4 H=0

E21  $\varnothing 1 3/8''$   
x4  $\varnothing 35$  H=0

G20  
x16

G7  
x16

G5  
x12

D6  $US \varnothing 9/64'' \times 1 3/16''$   
x10  $US \varnothing 3,5 \times 30$

ST21  $2 23/64'' \times 2 23/64'' \times 63/64''$   
x5 60x60x25

S1  
x20

L1  $2 29/32'' \times 1 11/32'' \times 19/32''$   
x1 74x34x15

KR5 SFXP  $\varnothing 25/64'' \times 1 31/32'' \times 2 23/64''$   
x1  $\varnothing 10/50 \times 60$

G16  
x10

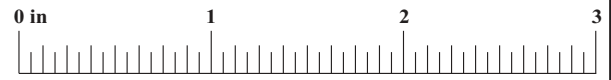
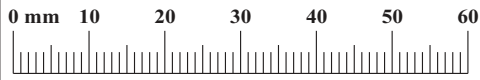
G2  
x1

LZ3  
x1

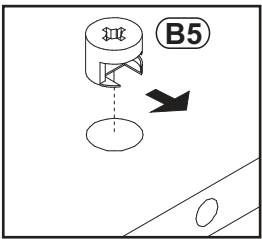
LED  
x4

UP13  $US \varnothing 1/8'' \times 5/8''$   
x10  $UP \varnothing 3 \times 16$

D10  $US \varnothing 9/64'' \times 33/64''$   
x12  $US \varnothing 3,5 \times 13$



1

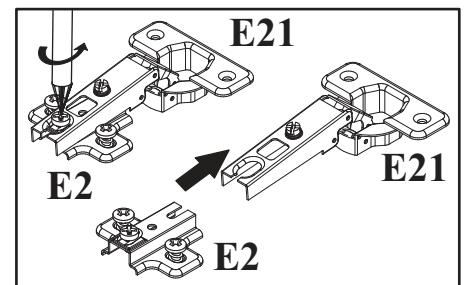
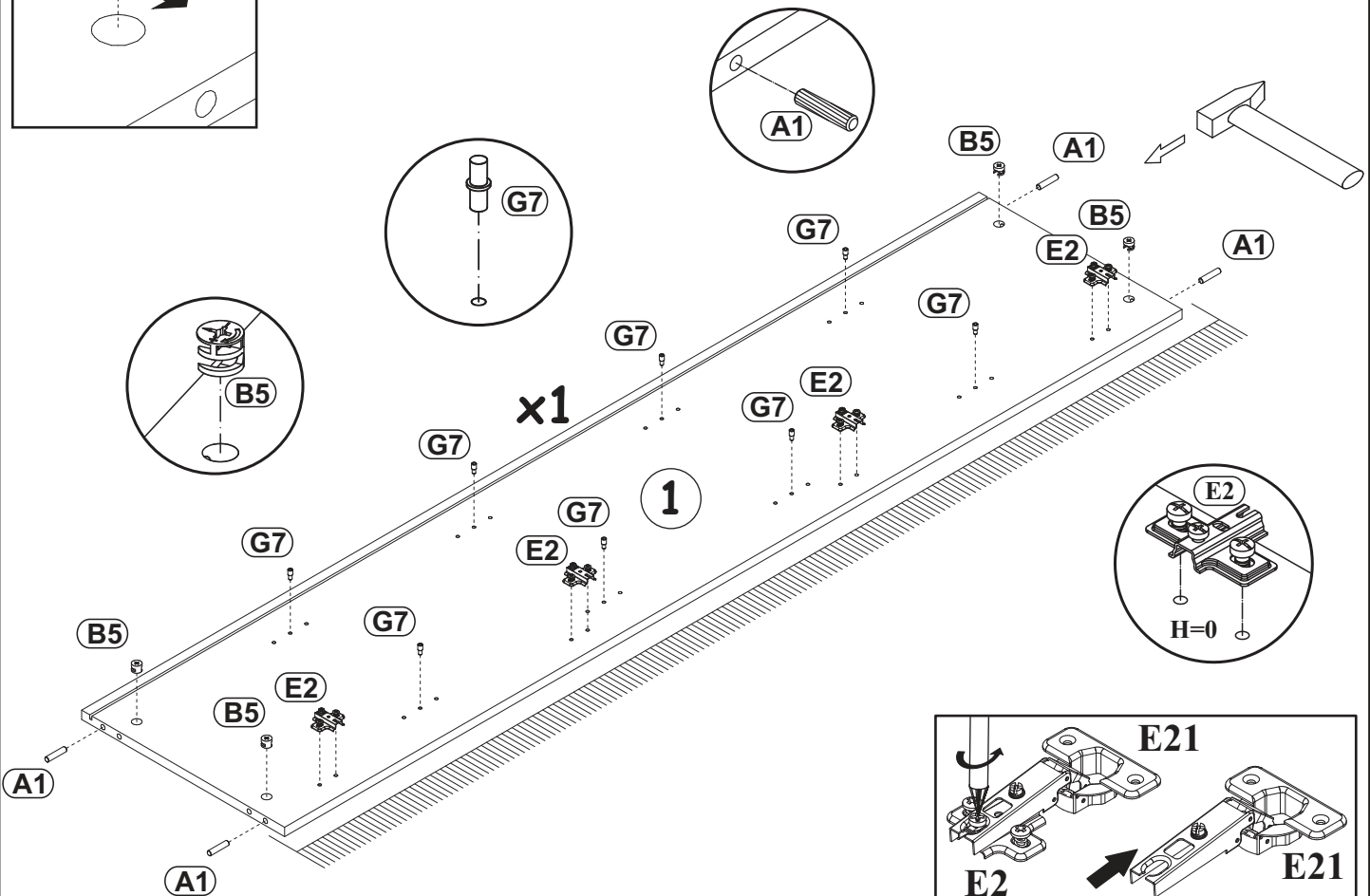


E2  
x4 H=0

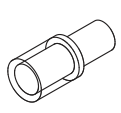
G7  
x8

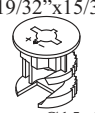
B5  $\varnothing 19/32'' \times 15/32''$   
x4  $\varnothing 15 \times 12$

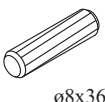
A1  $\varnothing 5/16'' \times 1 27/64''$   
x4  $\varnothing 8 \times 36$



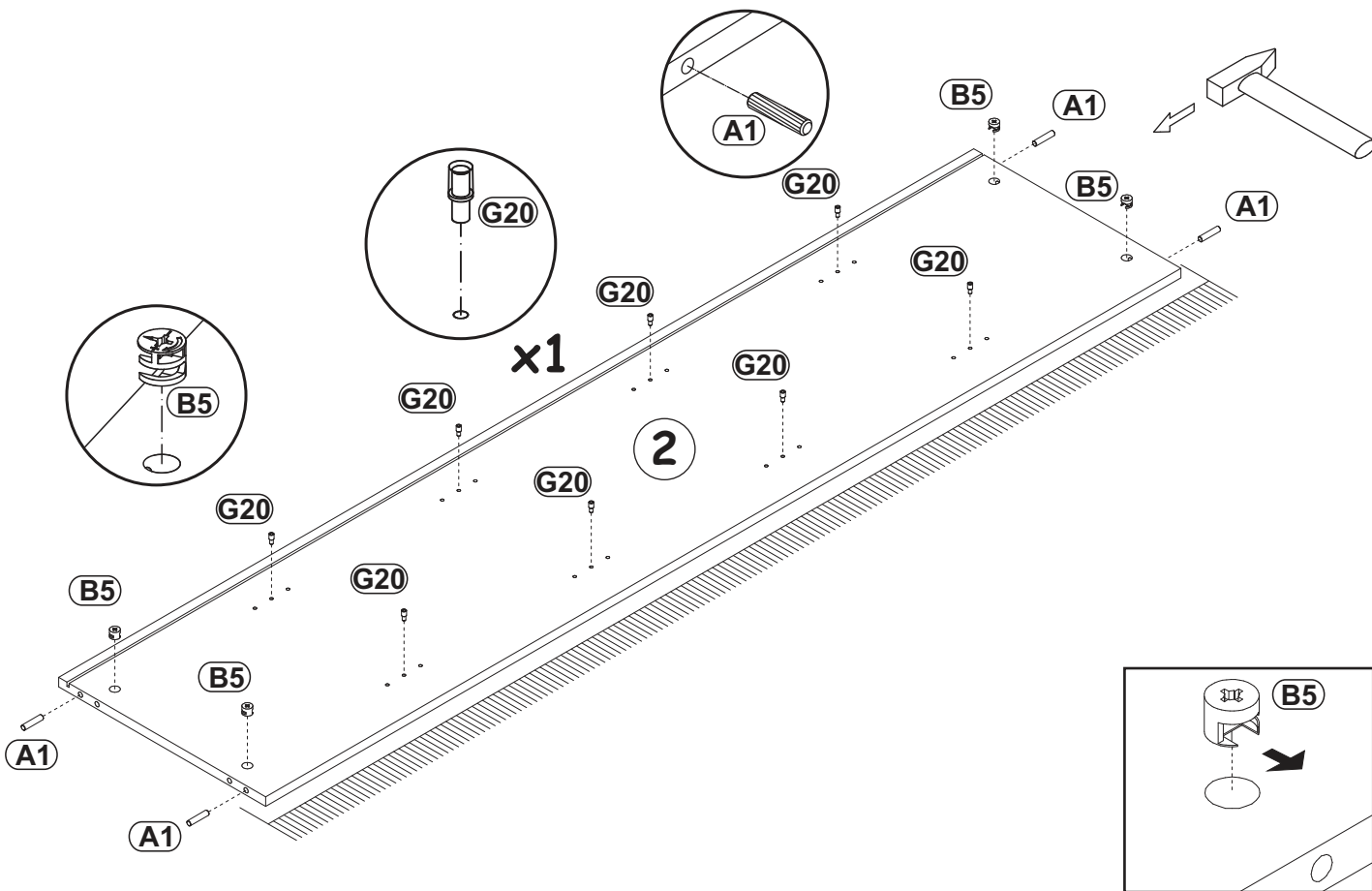
# EUPHORIA 05

G20	
x8	

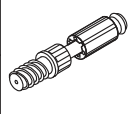
B5	
x4	$\phi 19/32'' \times 15/32''$ $\phi 15 \times 12$

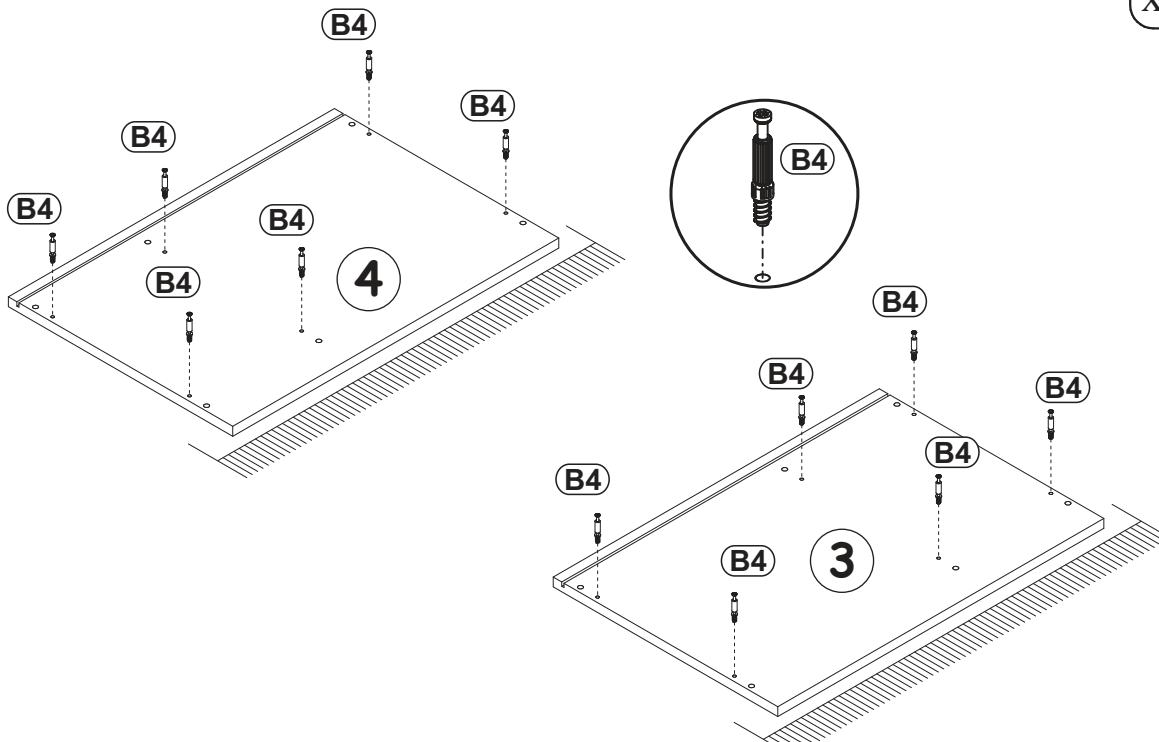
A1	
x4	$\phi 5/16'' \times 1 27/64''$ $\phi 8 \times 36$

2



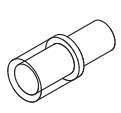


3

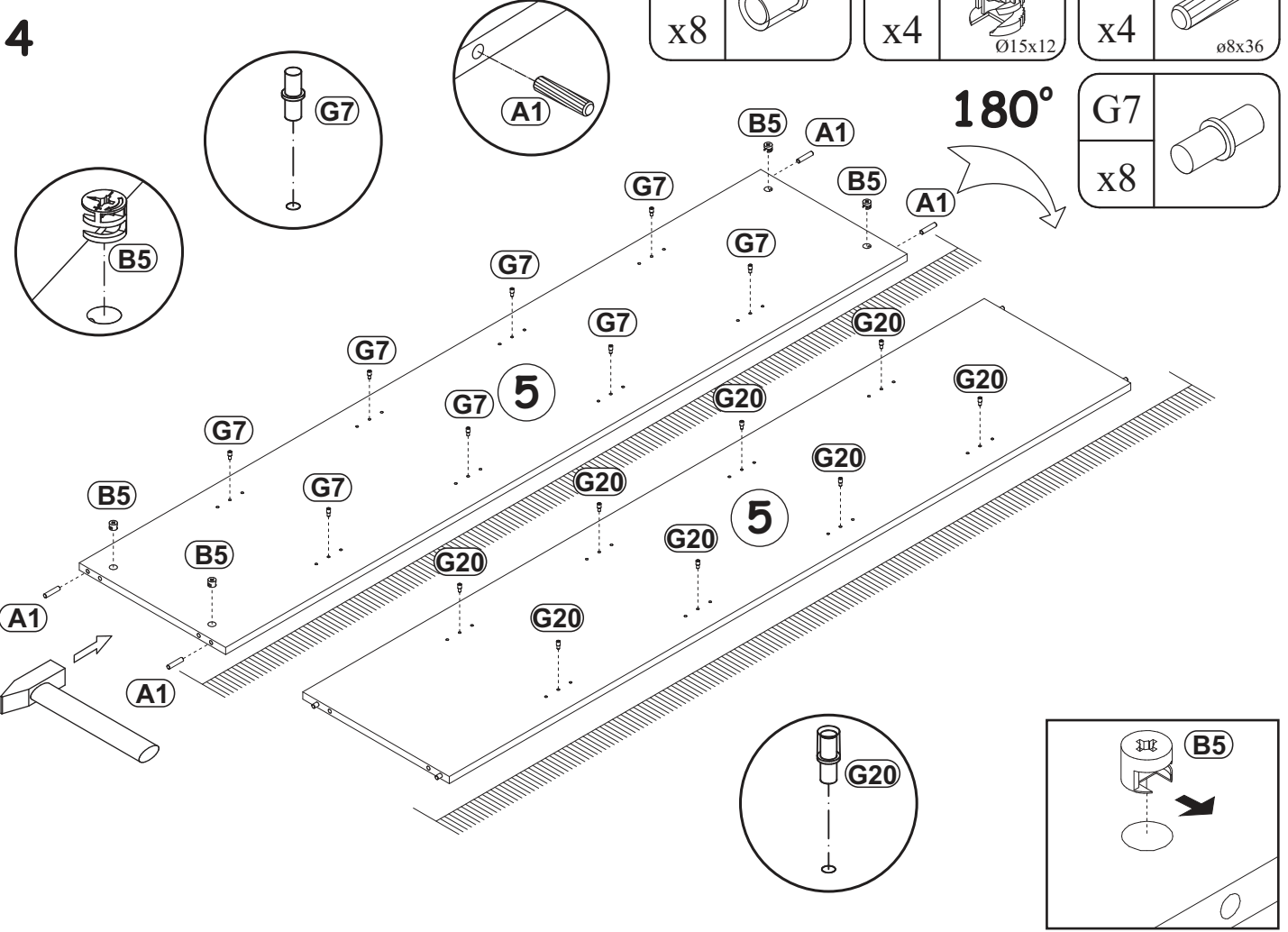
B4	
x12	




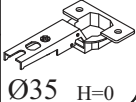
# EUPHORIA 05

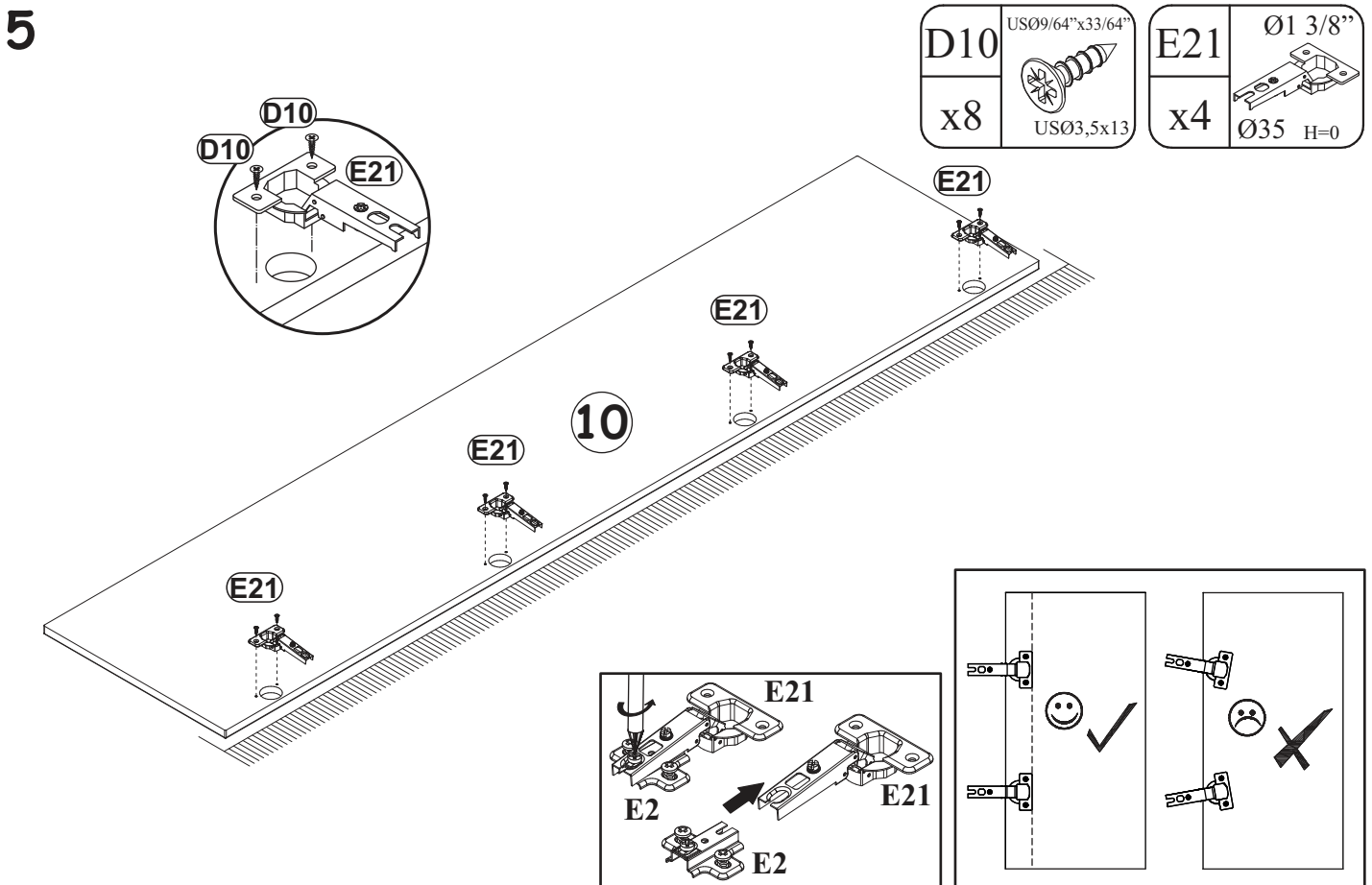
4

G20		B5		A1	
x8		x4	$\varnothing 19/32'' \times 15/32''$ $\varnothing 15 \times 12$	x4	$\varnothing 5/16'' \times 1.27/64''$ $\varnothing 8 \times 36$



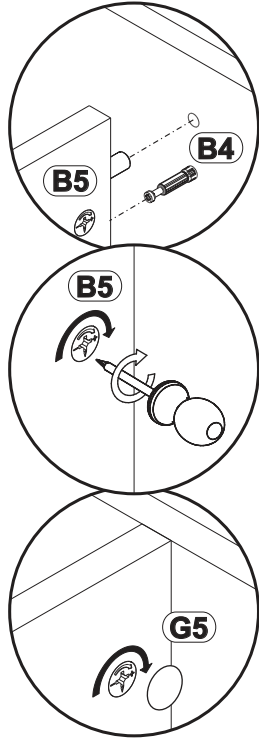
5

D10		E21	
x8	$US \varnothing 9/64'' \times 33/64''$ $US \varnothing 3,5 \times 13$	x4	$\varnothing 1.3/8''$ $\varnothing 35 \text{ H=0}$



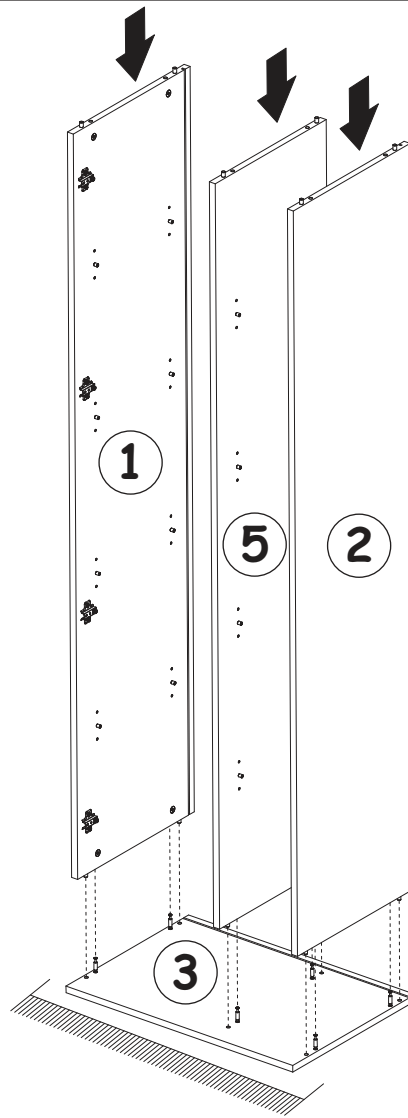
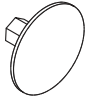
# EUPHORIA 05

6

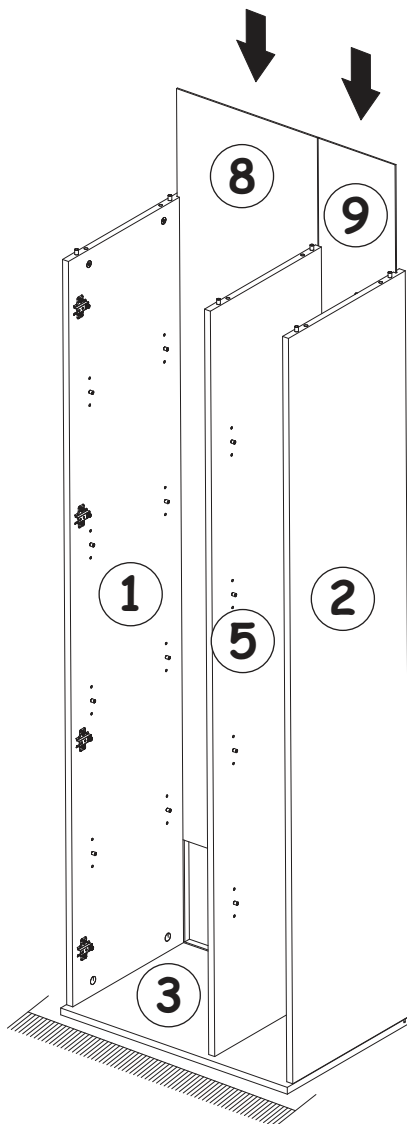


G5

x6

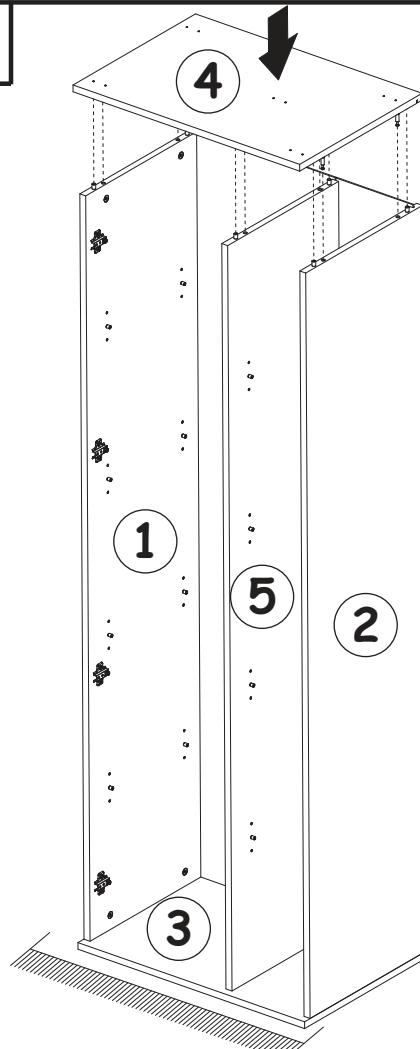
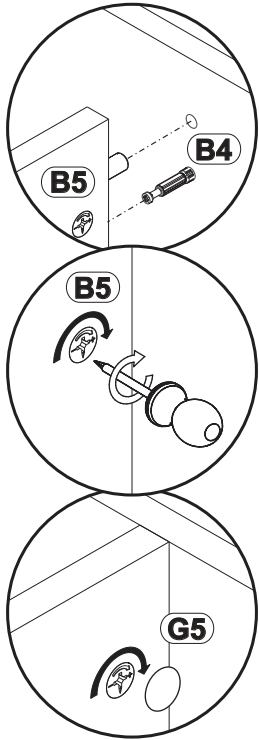


7



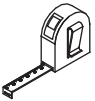
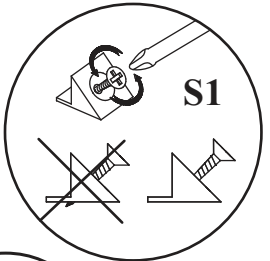
EUPHORIA 05

8



G5	
x6	

9

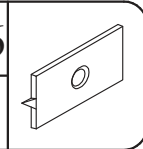


X=Y 90°

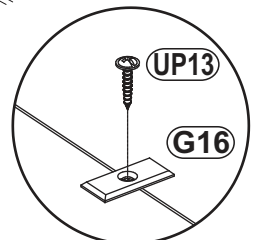
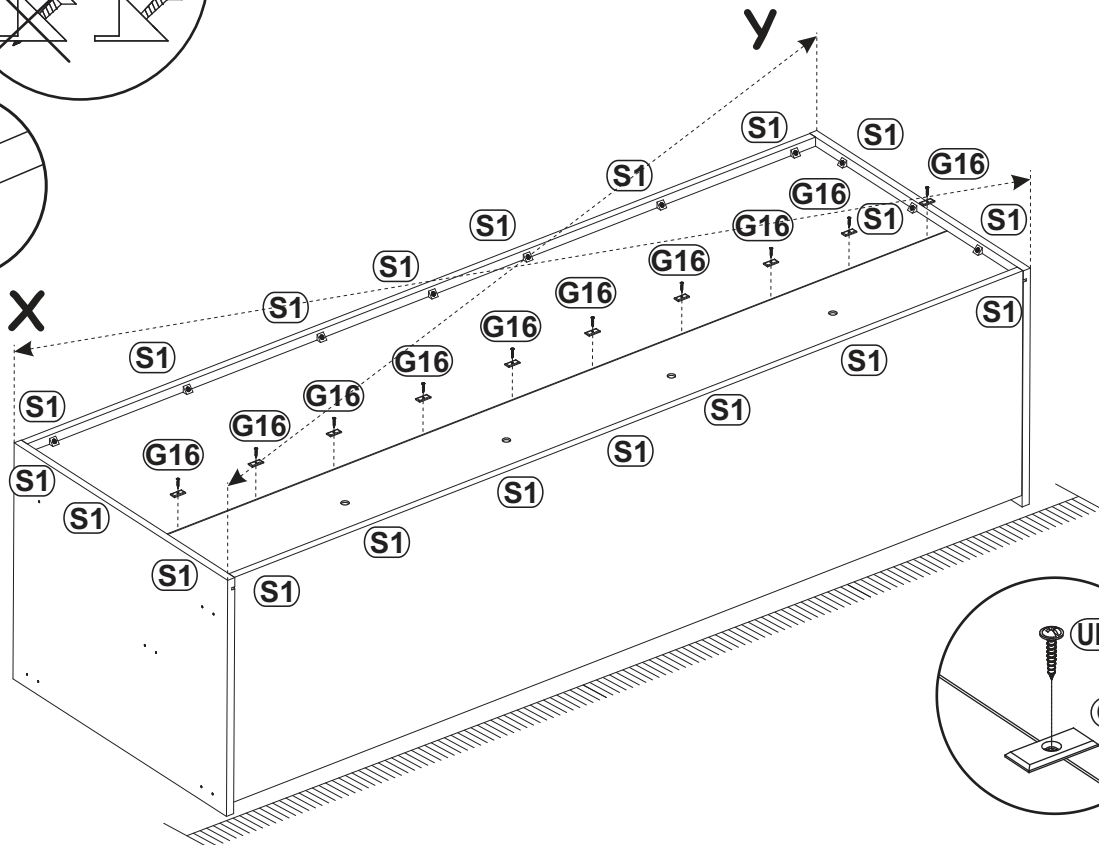
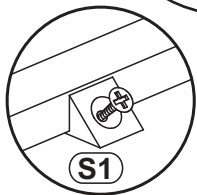
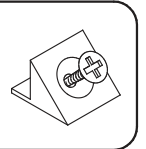
UP13	USØ1/8"x5/8"
x10	UPØ3x16



G16	
x10	

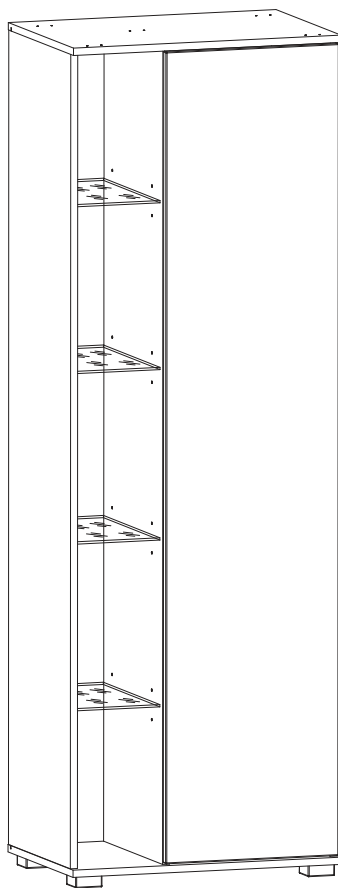


S1	
x20	



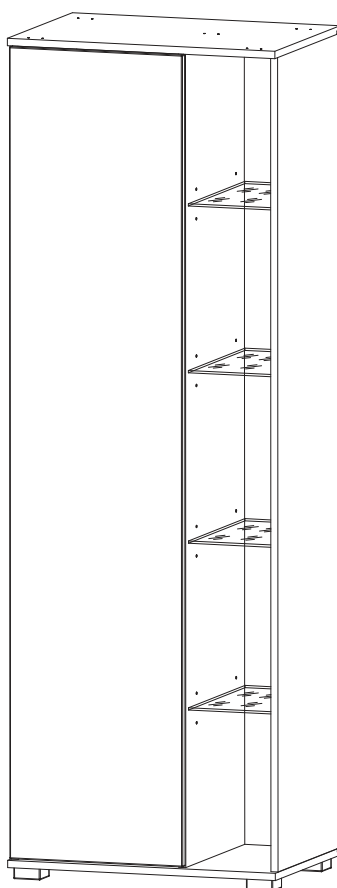
**RIGHT**

**10-13**



**LEFT**

**14-17**



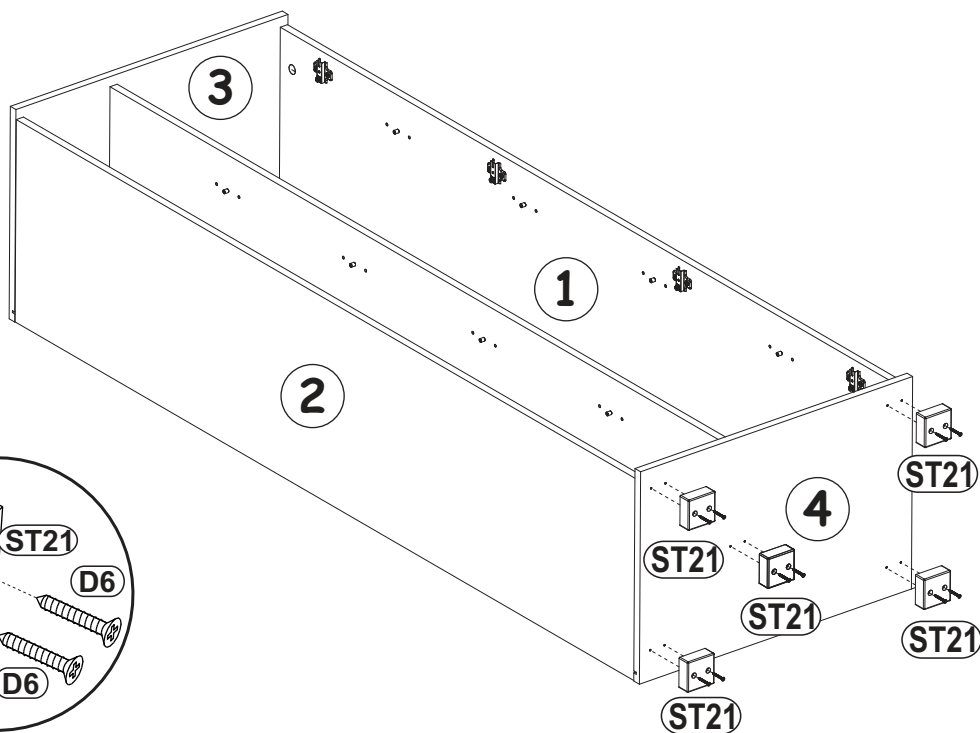
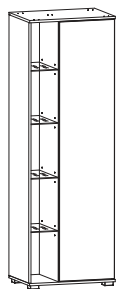


# EUPHORIA 05

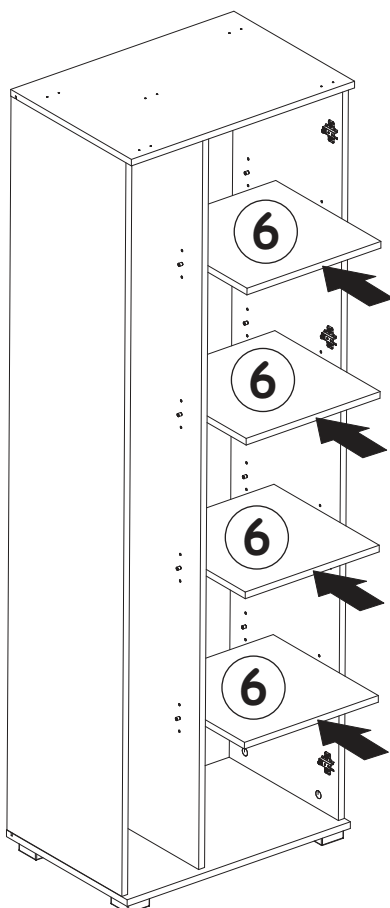
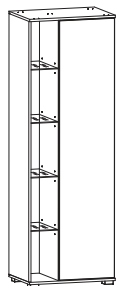
D6  
USØ9/64"x1 3/16"  
x10  
USØ3,5x30

ST21  
2 23/64"x  
2 23/64"x63/64"  
x5  
60x60x25

## 10

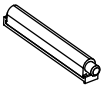
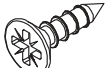


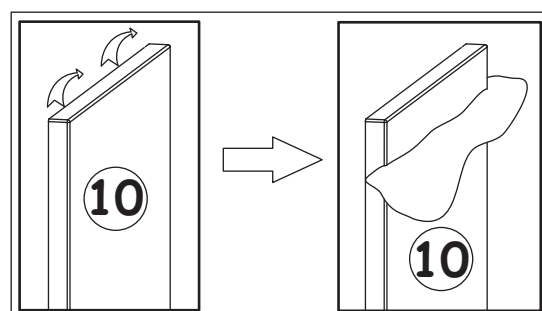
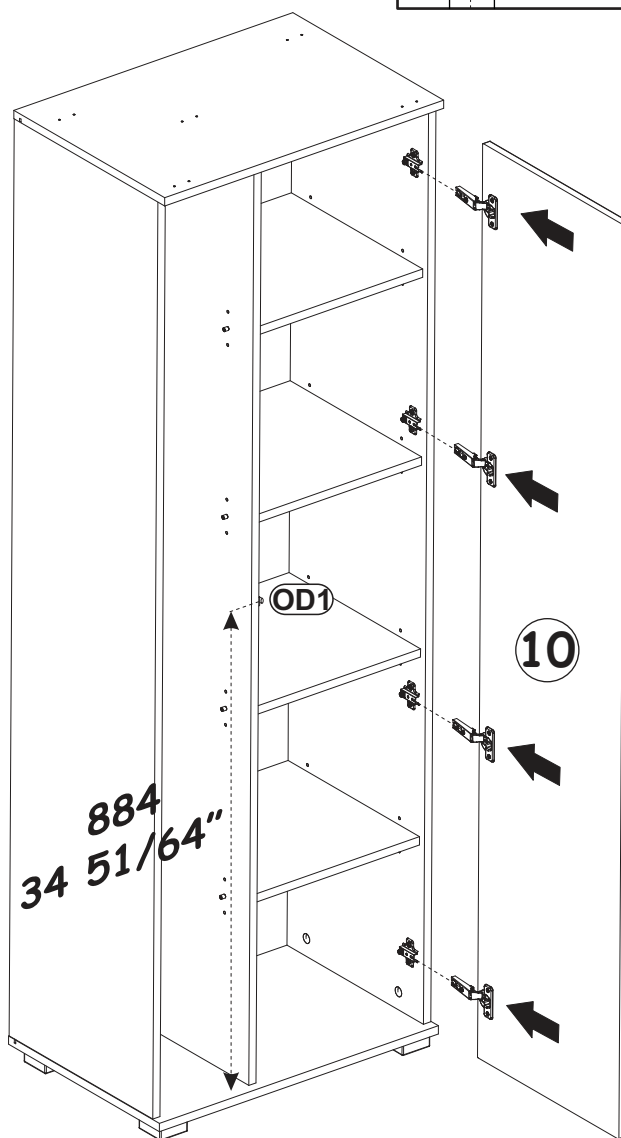
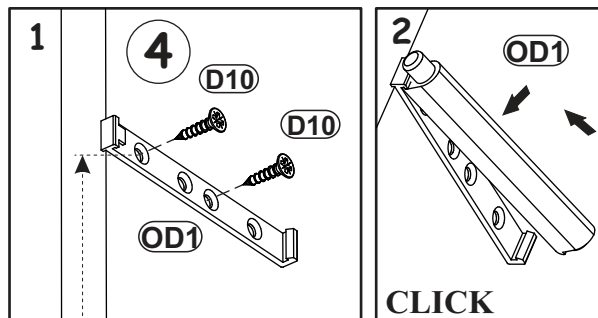
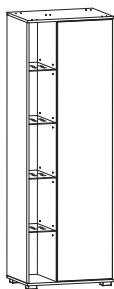
## 11



# EUPHORIA 05

## 12

D10	USØ9/64"x33/64"	OD1	
x2	 USØ3,5x13	x1	



# EUPHORIA 05

## 13

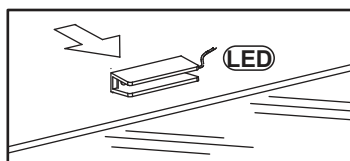
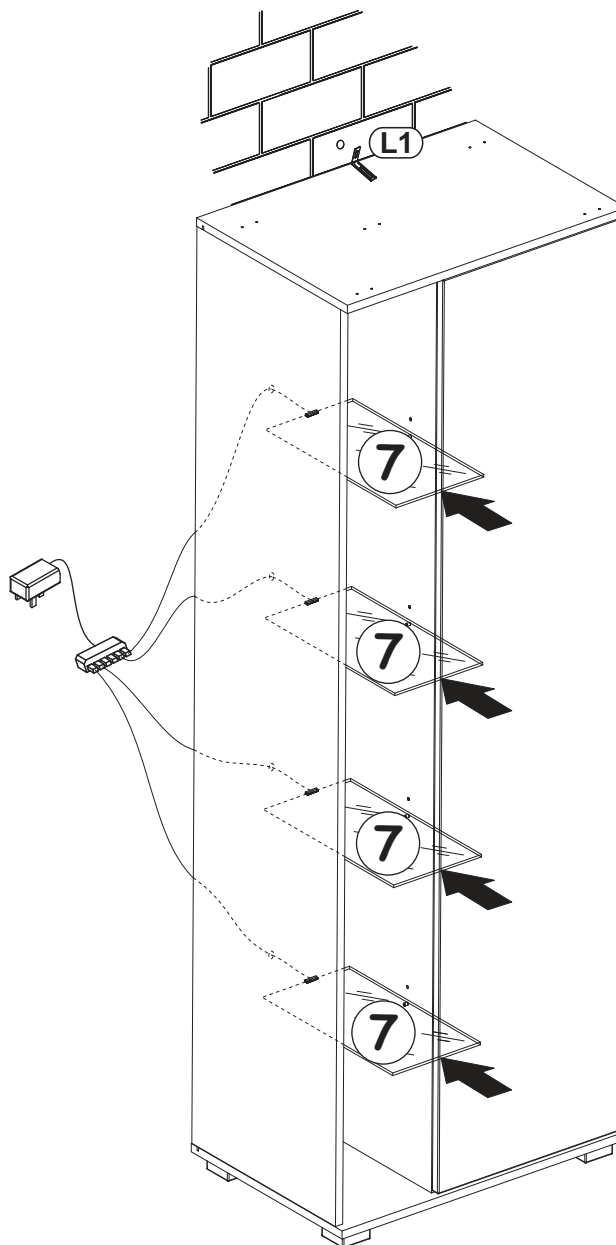
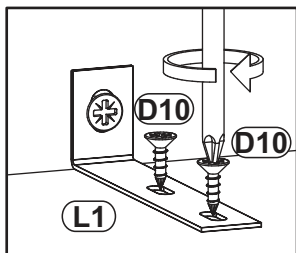
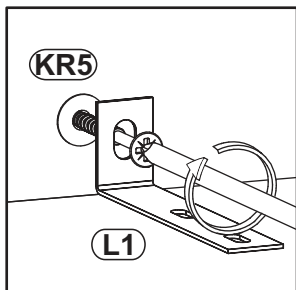
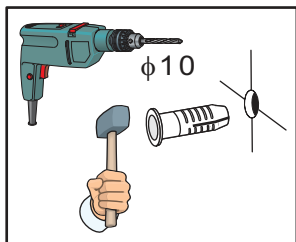
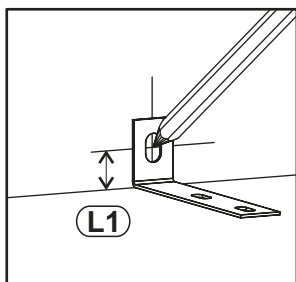
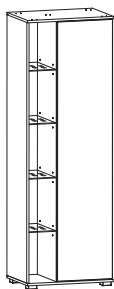
L1	2 29/32"x1 11/32" x19/32" 74x34x15
x1	

LZ3	
x1	

LED	
x4	

D10	USØ9/64"x33/64" USØ3,5x13
x2	

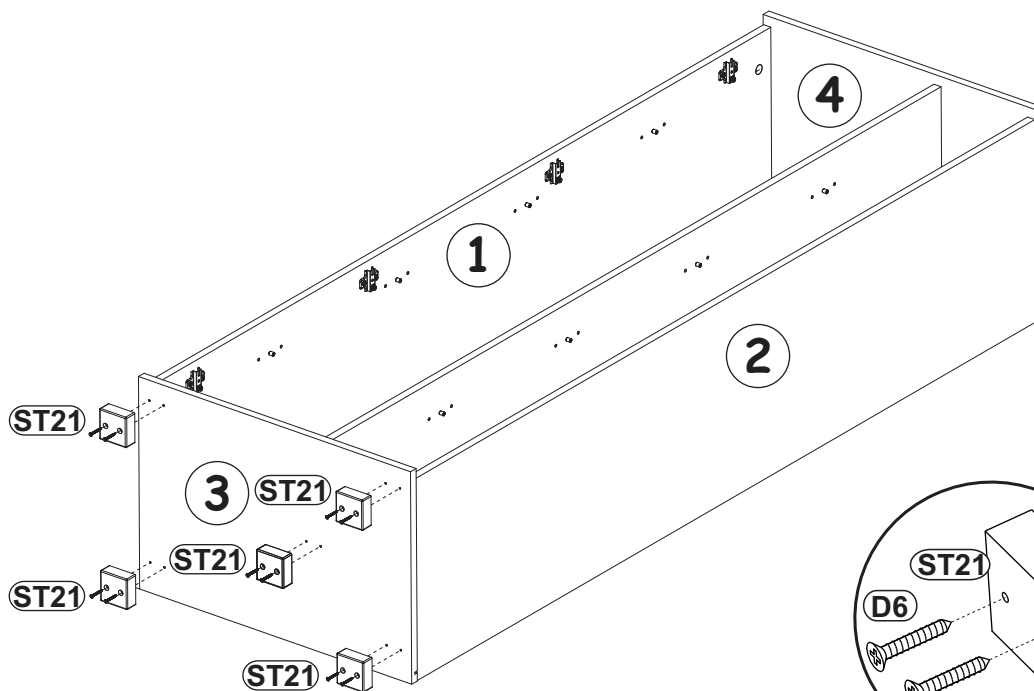
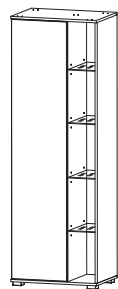
KR5 SFXP	Ø 25/64"/1 31/32" x2 23/64" Ø10/50x60
x1	



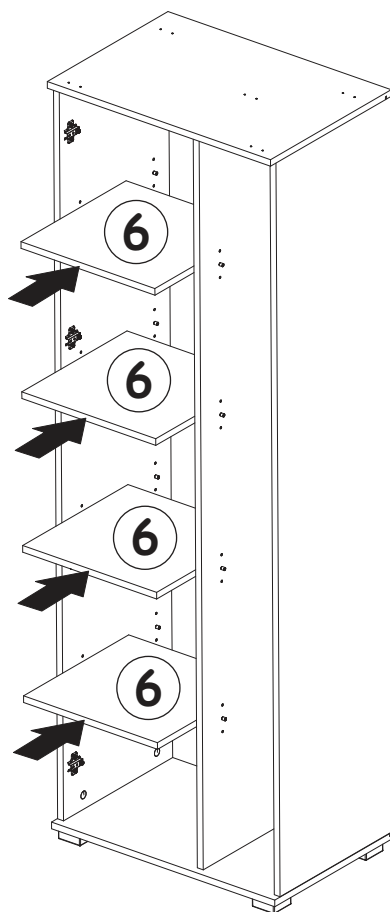
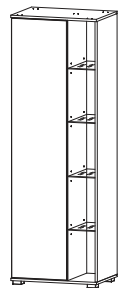
# EUPHORIA 05

## 14

D6	USØ9/64"x1 3/16"	ST21	2 23/64"x 2 23/64"x63/64"
x10	USØ3,5x30	x5	60x60x25

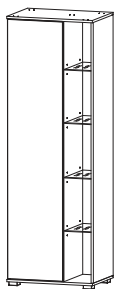


## 15



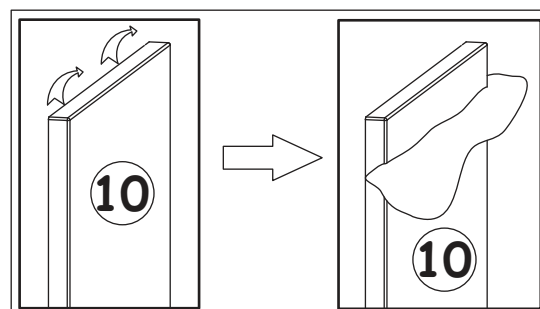
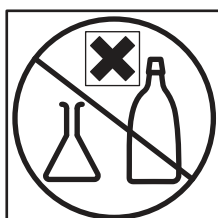
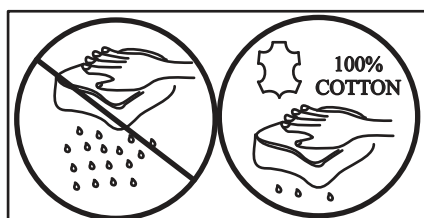
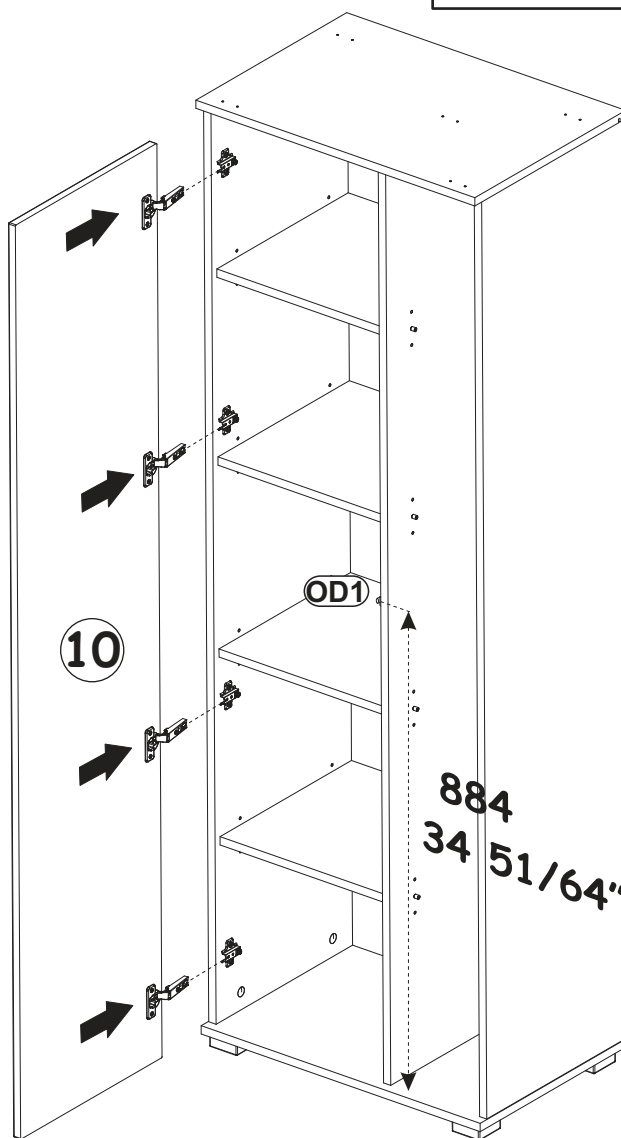
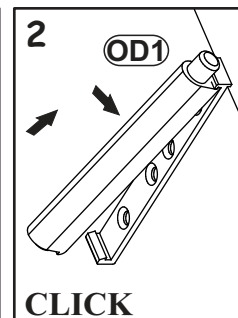
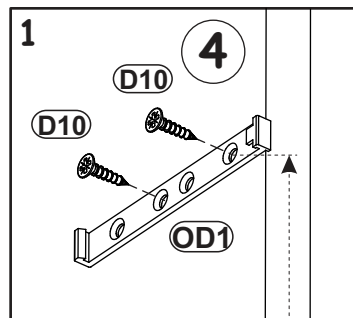
EUPHORIA 05

16



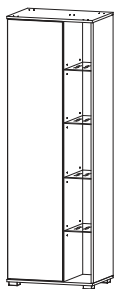
D10	USØ9/64"x33/64"
x2	USØ3,5x13

OD1	
x1	



# EUPHORIA 05

17



L1	2 29/32" x 1 11/32" x 19/32" 74x34x15
x1	

LZ3	
x1	

LED	
x4	

D10	US09/64" x 33/64" US03,5x13
x2	

KR5 SEXP	Ø 25/64" / 1 31/32" x 2 23/64" Ø10/50x60
x1	

