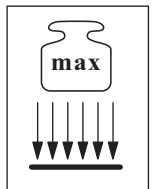
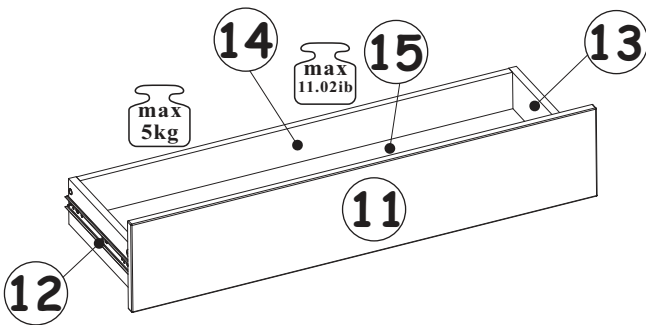
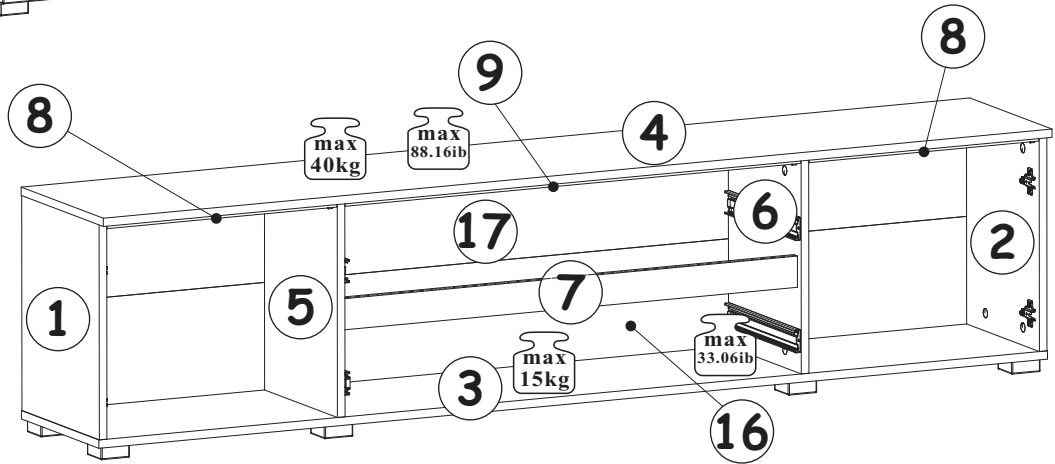
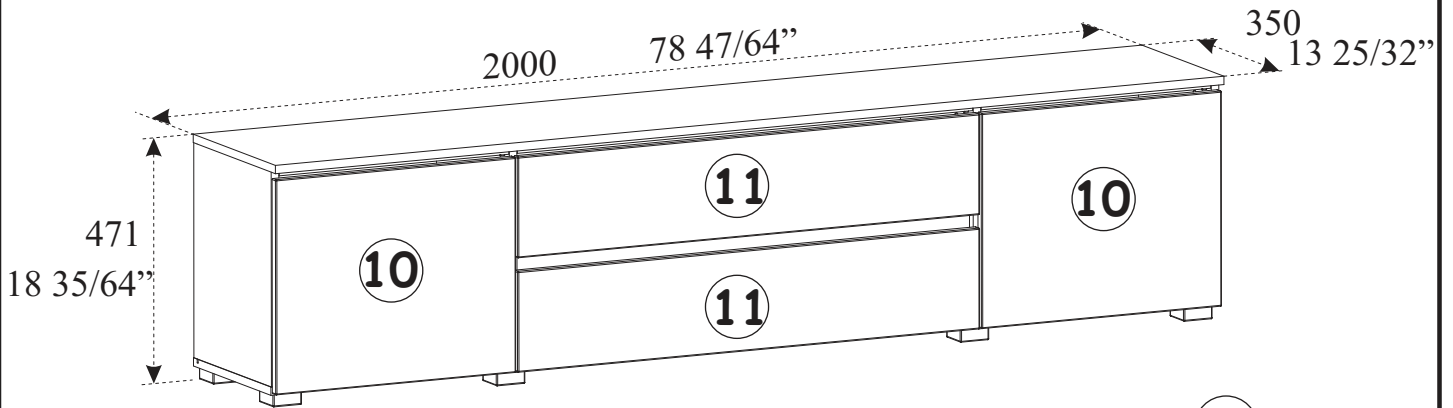
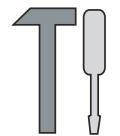
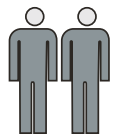


EUPHORIA 01



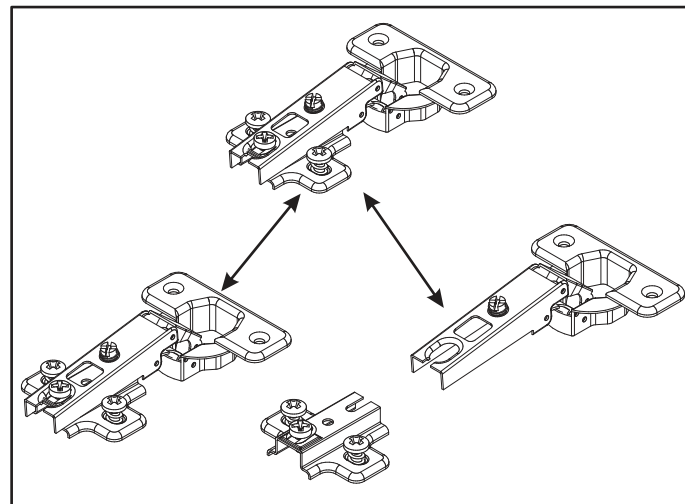
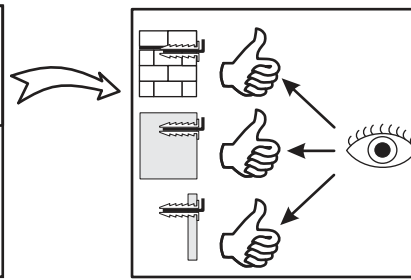
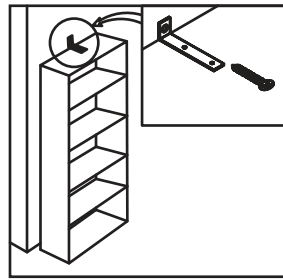
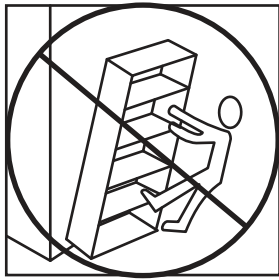
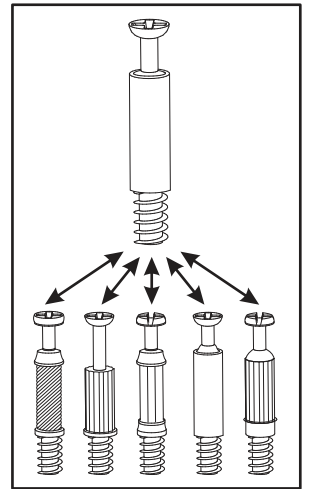
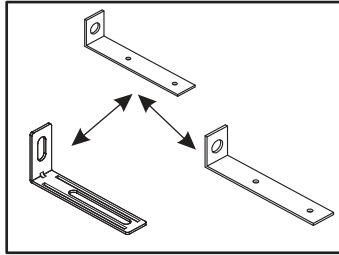
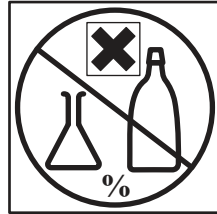
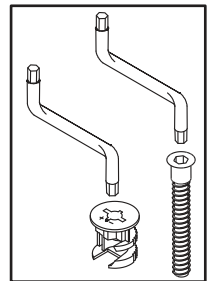
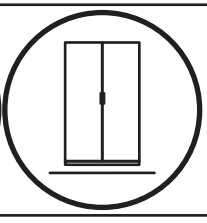
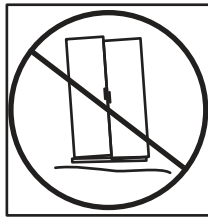
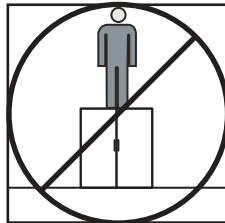
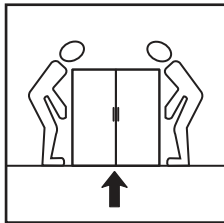
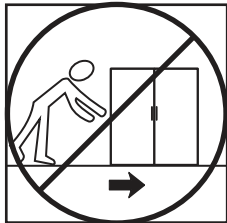
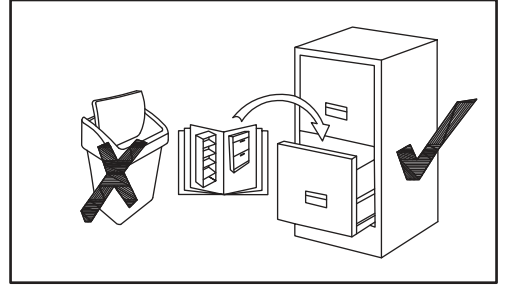
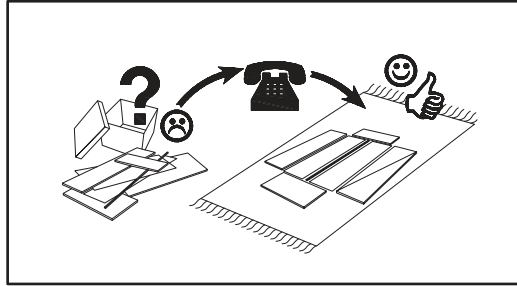
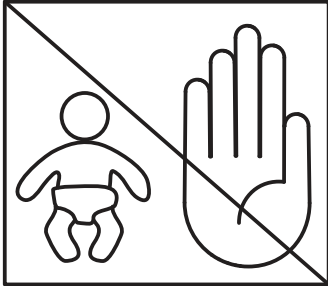
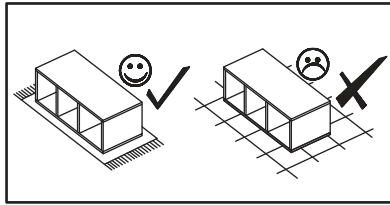
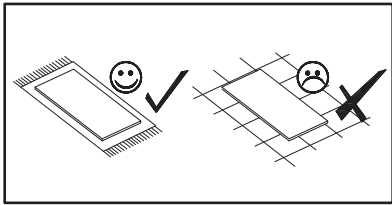
NO	Dim			Col.-No	Qty
1	414	330	16	1	1
2	414	330	16	1	1
10	414	506	16	1	2
11	974	194	16	1	2
12	300	100	16	1	2
13	300	100	16	1	2
15	917	304	3	1	2
14	905	80	16	1	2
7	962	60	16	1	1
16	1978	213	3	2	1
17	1978	213	3	2	1
5	414	310	16	1	1
6	414	310	16	1	1
8	484	215	5	1	2
9	960	215	5	1	1
3	2000	330	16	2	1
4	2000	350	16	2	1

NO	Inch			Col.-No	Qty
1	16 19/64	12 63/64	5/8	1	1
2	16 19/64	12 63/64	5/8	1	1
10	16 19/64	19 59/64	5/8	1	2
11	38 11/32	7 41/64	5/8	1	2
12	11 13/16	3 15/16	5/8	1	2
13	11 13/16	3 15/16	5/8	1	2
15	36 7/64	11 31/32	1/8	1	2
14	35 5/8	3 5/32	5/8	1	2
7	37 7/8	3 5/32	5/8	1	1
16	77 7/8	8 25/64	1/8	2	1
17	77 7/8	8 25/64	1/8	2	1
5	16 19/64	12 13/64	5/8	1	1
6	16 19/64	12 13/64	5/8	1	1
8	19 1/16	8 15/32	13/64	1	2
9	37 51/64	8 15/32	13/64	1	1
3	78 47/64	12 63/64	5/8	2	1
4	78 47/64	12 63/64	5/8	2	1


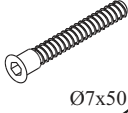

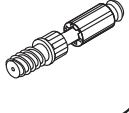

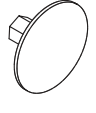
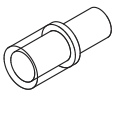
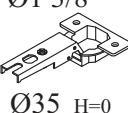
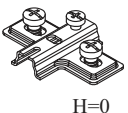
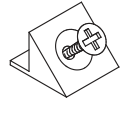
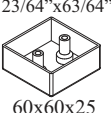





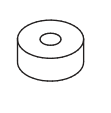
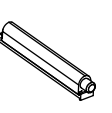
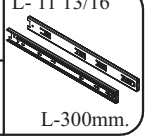





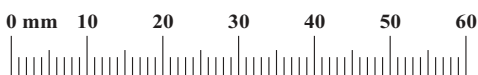
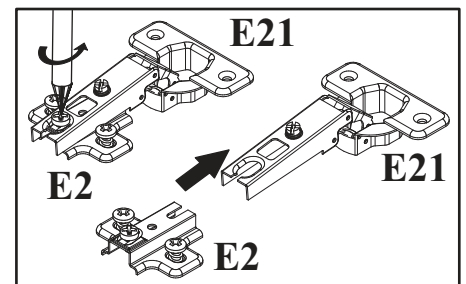
120 min

EUPHORIA 01



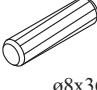
EUPHORIA 01


A1 x24	$\varnothing 5/16'' \times 1 27/64''$  $\varnothing 8 \times 36$	B11 x8	$\varnothing 9/32'' \times 1 31/32''$  $\varnothing 7 \times 50$	G4 x4		B4 x20		B5 x20	$\varnothing 19/32'' \times 15/32''$  $\varnothing 15 \times 12$	G5 x20	
G20 x12		E21 x4	$\varnothing 1 3/8''$  $\varnothing 35 \text{ H=0}$	E2 x4	 H=0	S1 x20		ST21 x8	$2 23/64'' \times 2 23/64'' \times 63/64''$  $60 \times 60 \times 25$	D6 x16	$\text{US} \varnothing 9/64'' \times 1 3/16''$  $\text{US} \varnothing 3,5 \times 30$
UP13 x16	$\text{US} \varnothing 1/8'' \times 5/8''$  $\text{UP} \varnothing 3 \times 16$	D10 x20	$\text{US} \varnothing 9/64'' \times 33/64''$  $\text{US} \varnothing 3,5 \times 13$	D20 x8	$\text{ES} \varnothing 15/64'' \times 3/8''$  $\text{ES} \varnothing 6 \times 9,5$	EK10 x3	$\text{EK} \varnothing 15/64'' \times 5/8''$  $\text{EK} \varnothing 6,3 \times 16$	DS1 x3		OD1 x2	
H8 x2	$\text{L-} 1 11 13/16''$  $\text{L-} 300 \text{mm}$	LZ3 x1		LED x4		G2 x1					

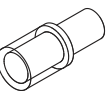


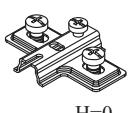
EUPHORIA 01

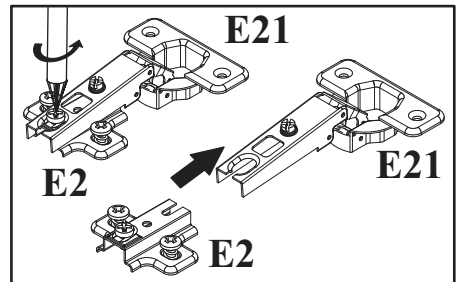
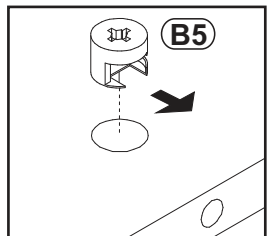
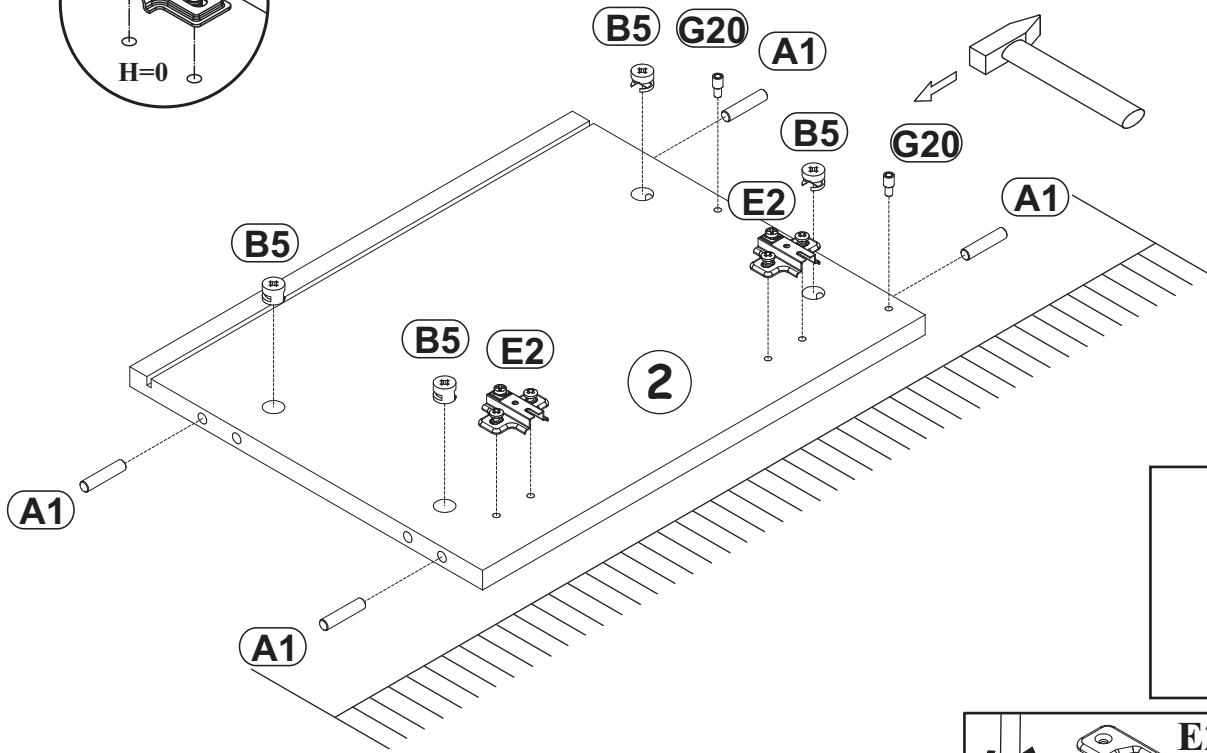
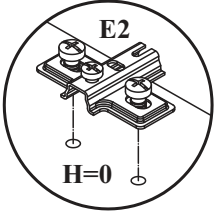
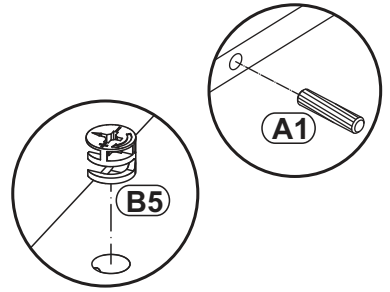
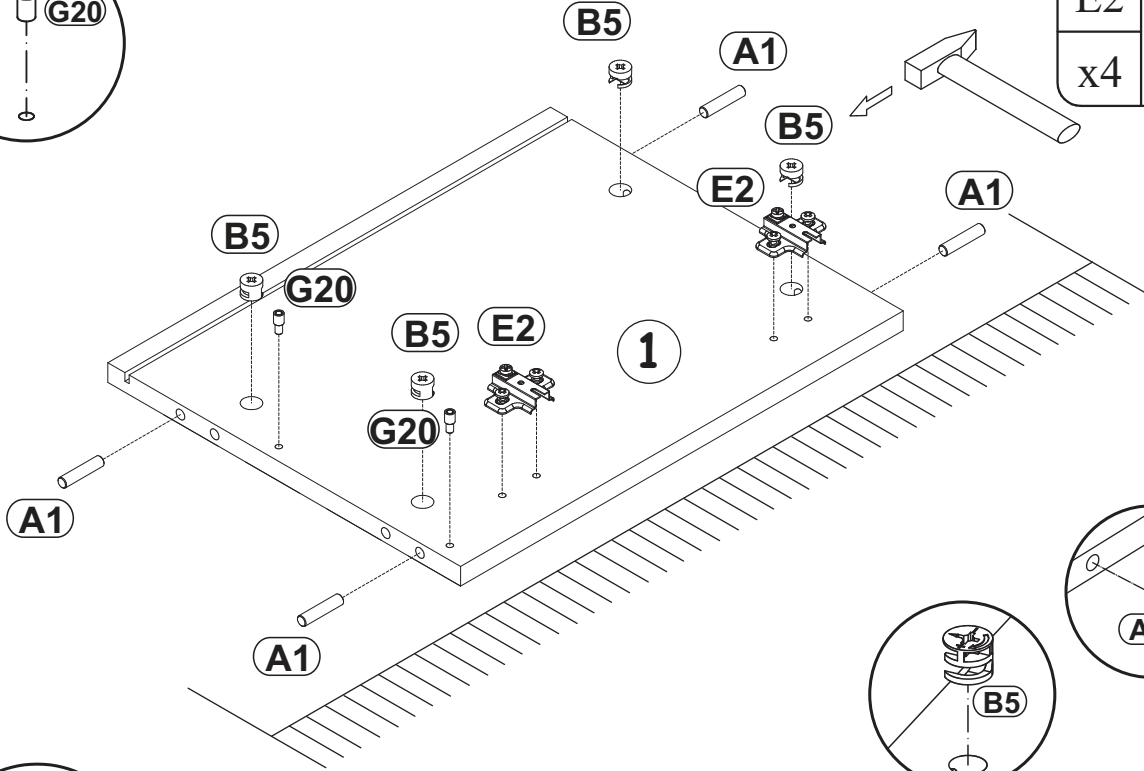
1

A1	Ø5/16"x1 27/64"
x8	 ø8x36

B5	Ø19/32"x15/32"
x8	 Ø15x12

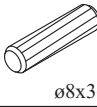

G20	
x4	

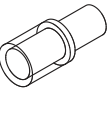

E2	
x4	H=0

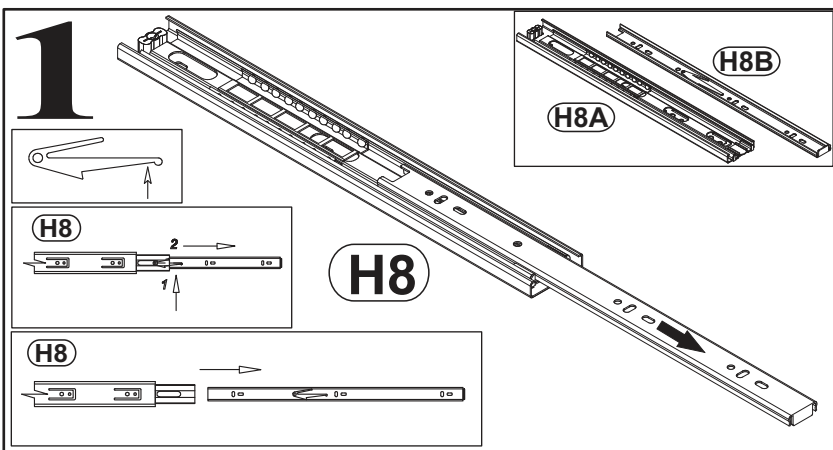
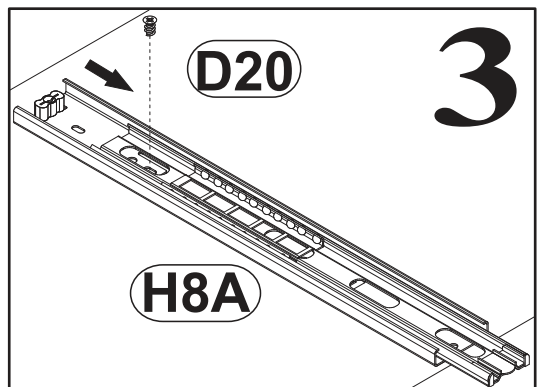
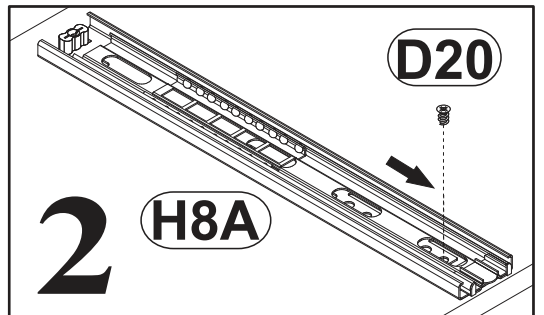
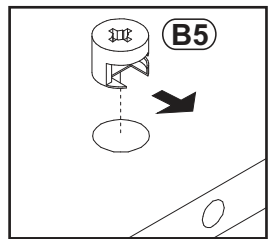
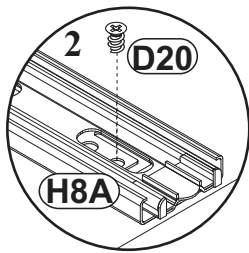
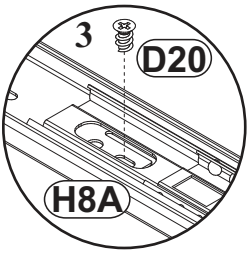
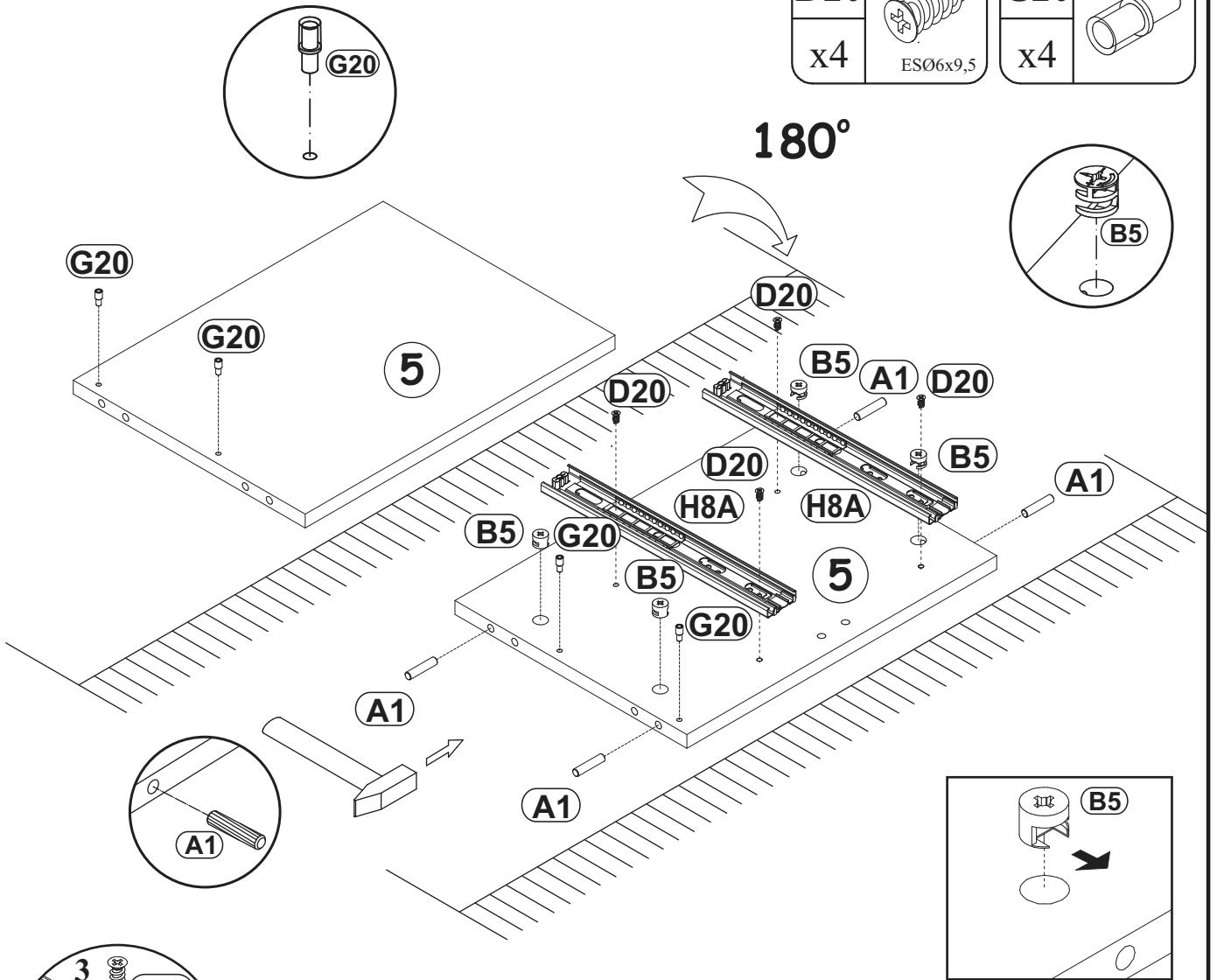


EUPHORIA 01

2

A1	Ø5/16"x1 27/64"	B5	Ø19/32"x15/32"	H8	L- 13 25/32"
x4	 ø8x36	x4	 Ø15x12	x2	L-350mm.

D20	ESØ15/64"x3/8"	G20	
x4	 ESØ6x9,5	x4	



EUPHORIA 01

3

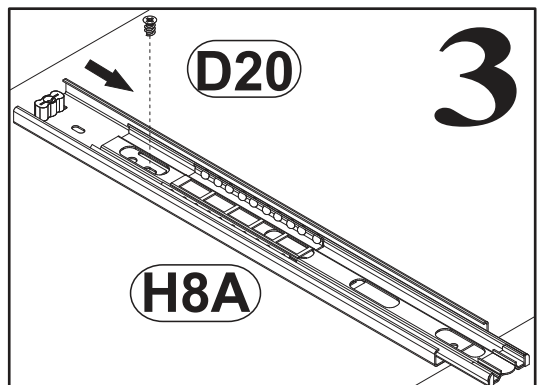
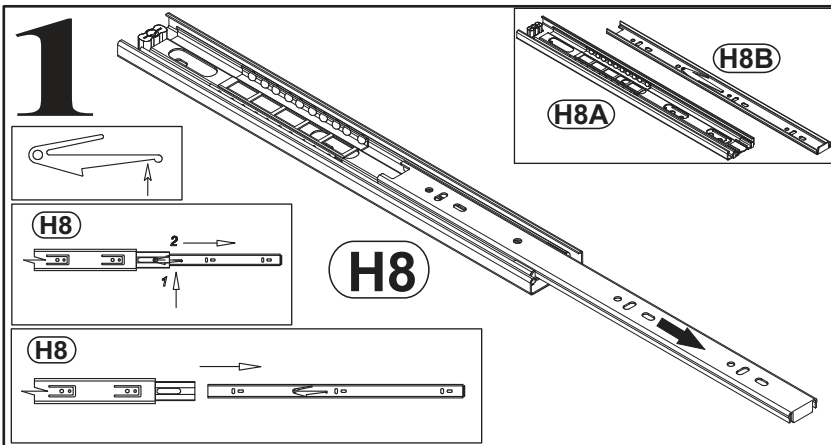
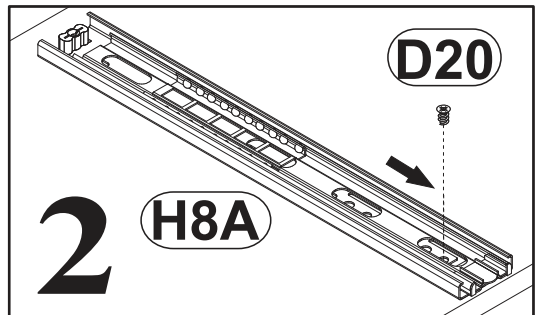
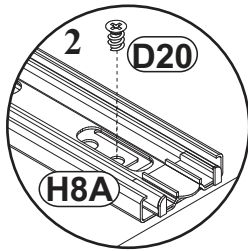
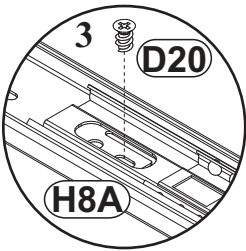
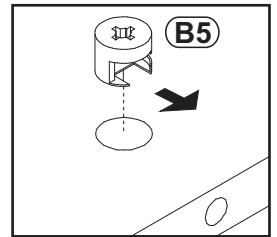
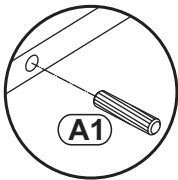
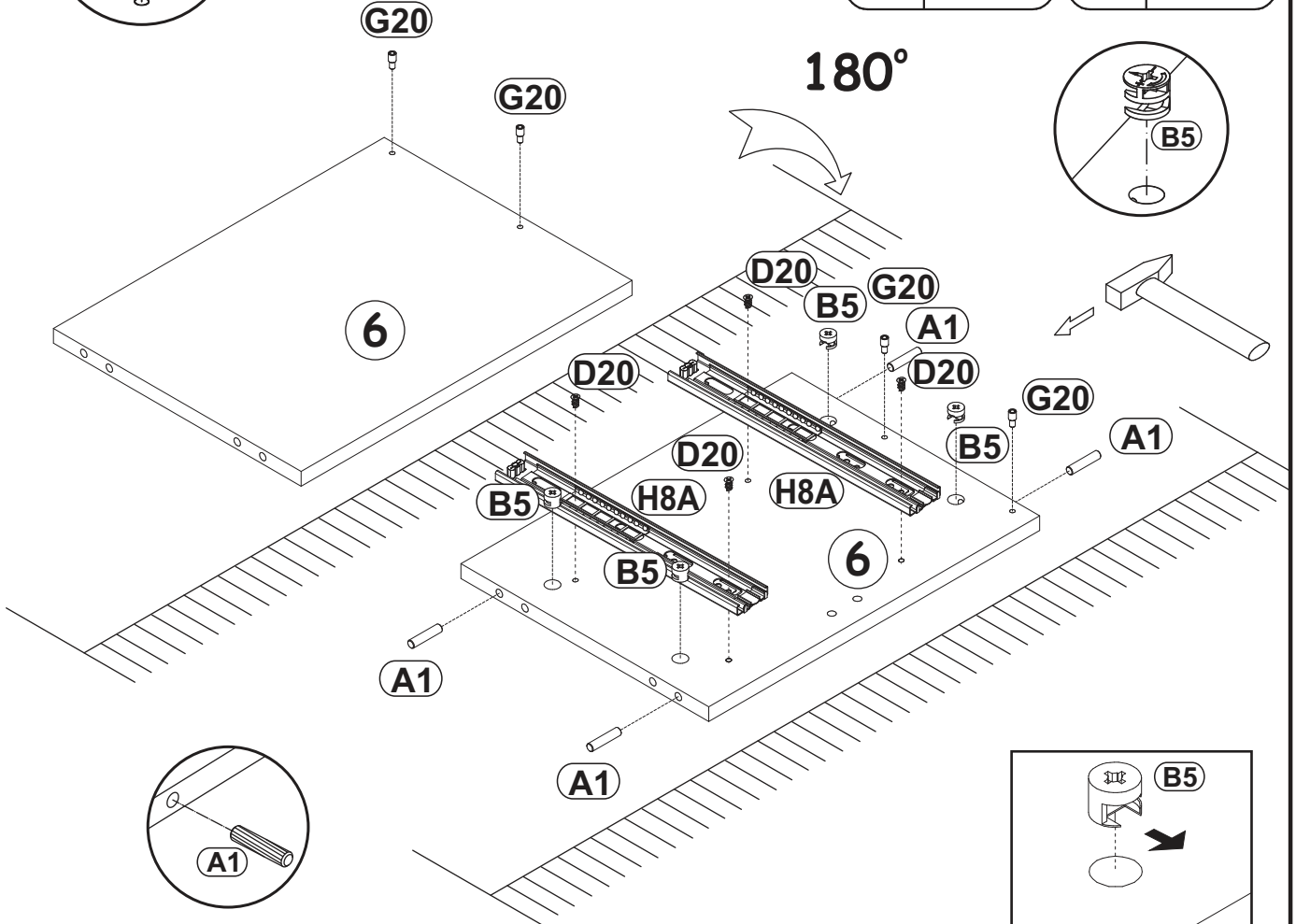
A1	Ø5/16"x1 27/64"
x4	ø8x36

B5	ø19/32"x15/32"
x4	Ø15x12

H8	L- 13 25/32"
x2	L-350mm.

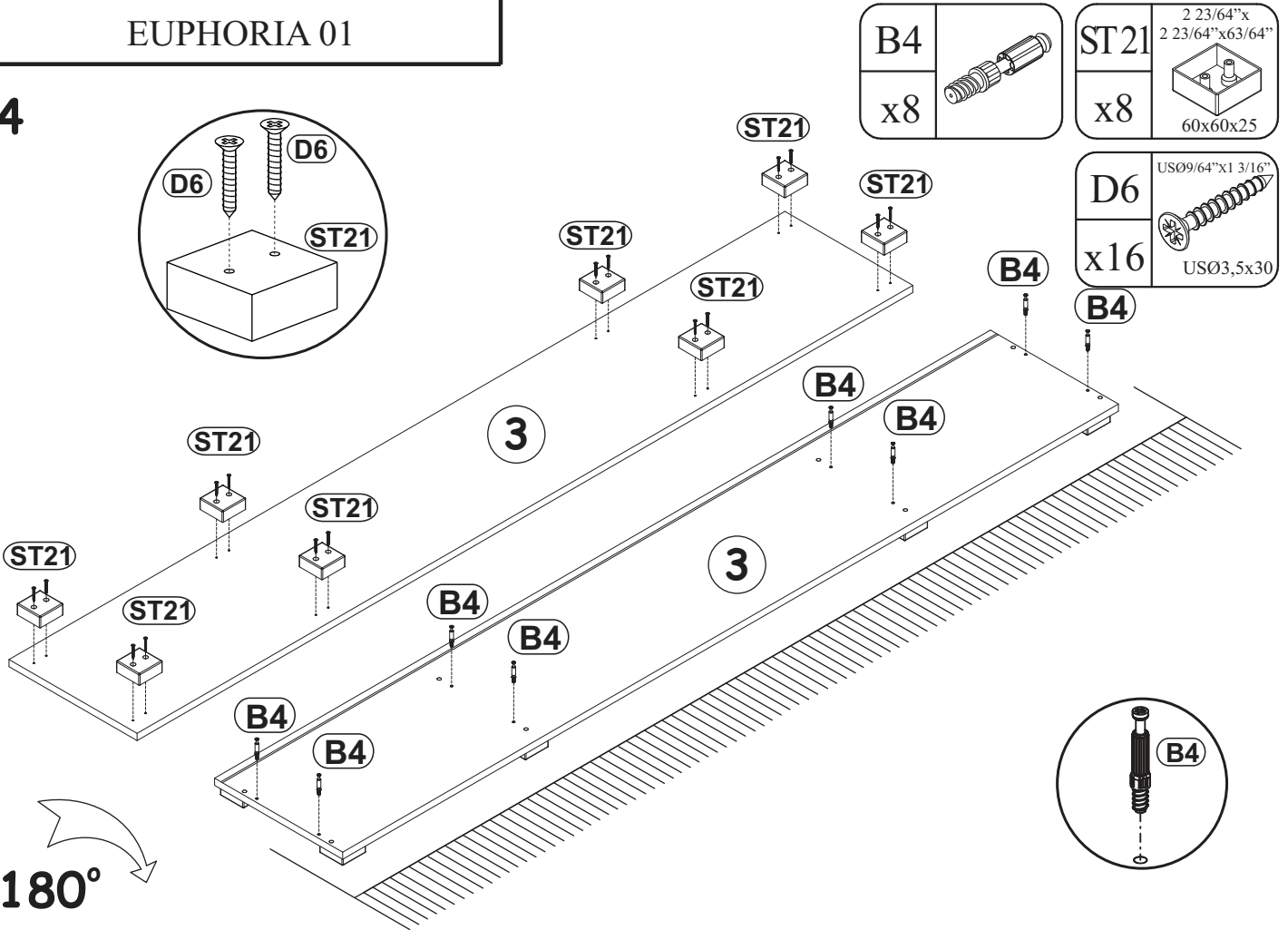
D20	ESØ15/64"x3/8"
x4	ESØ6x9,5

G20	
x4	



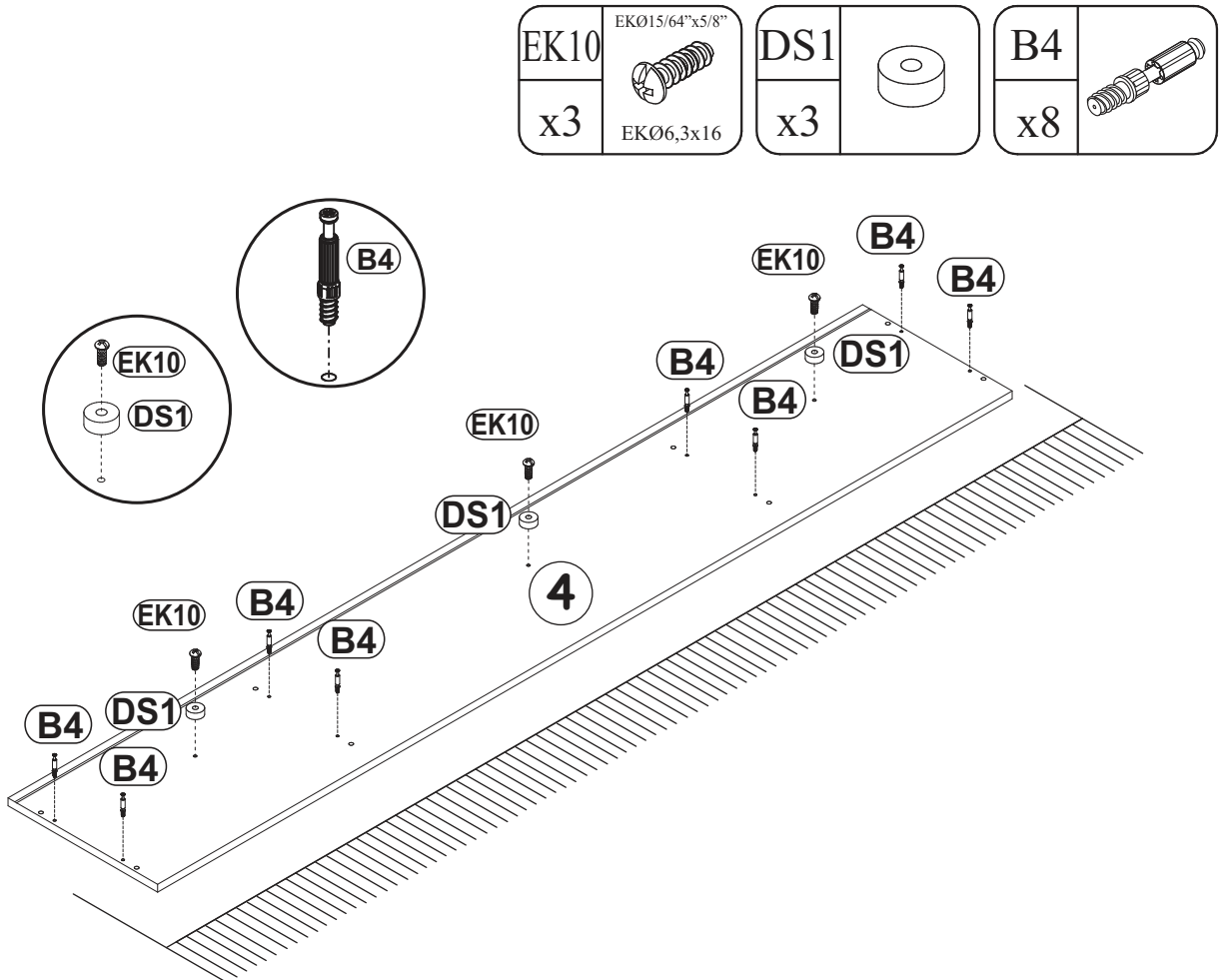
EUPHORIA 01

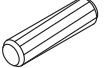
4



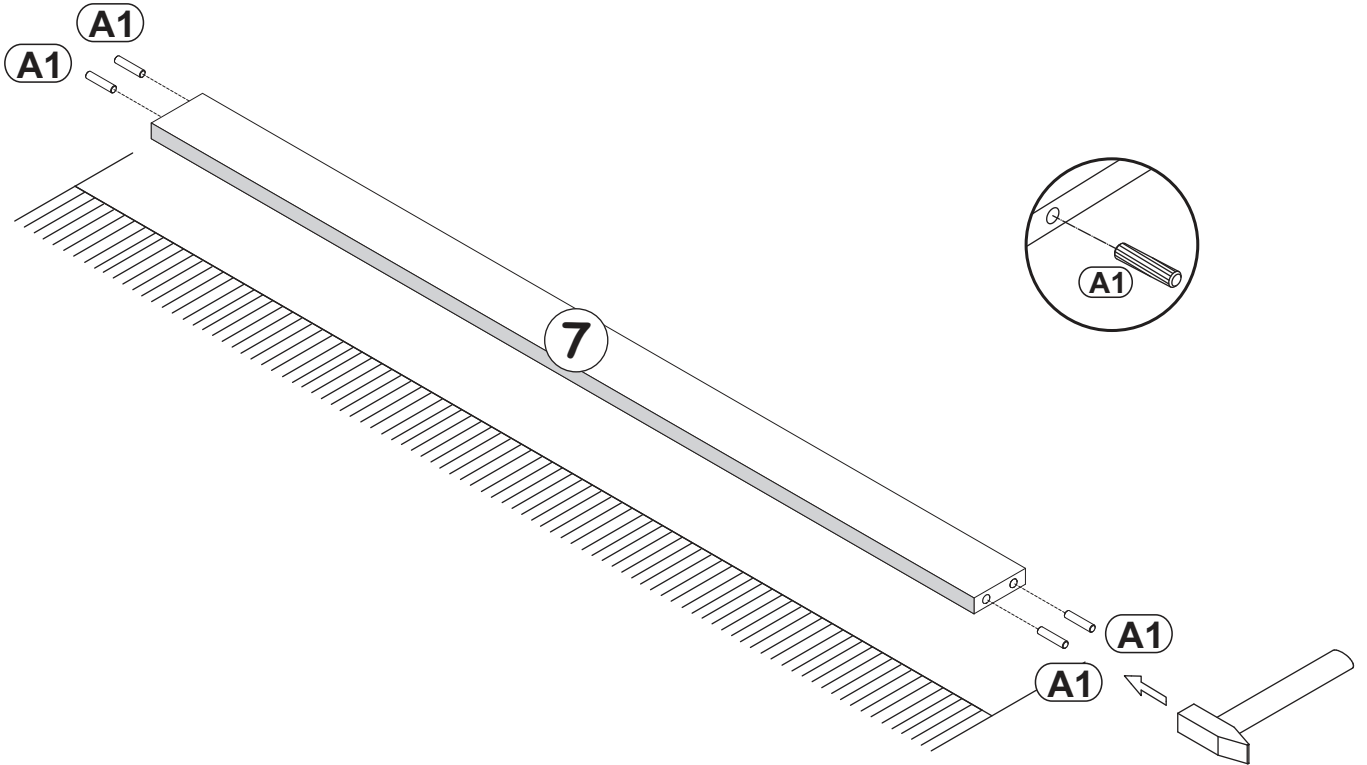
180°

5


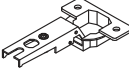


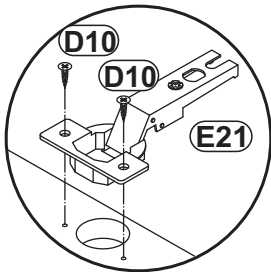
A1	Ø5/16"x1 27/64"
x4	 ø8x36

6

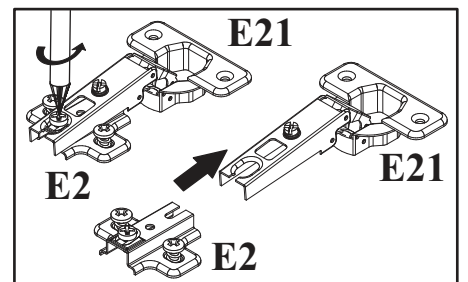
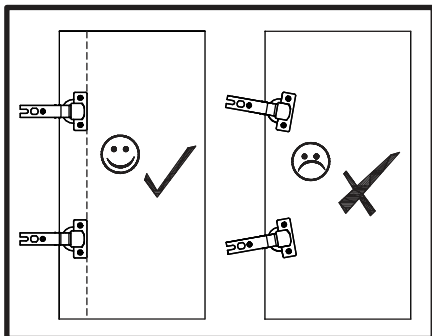
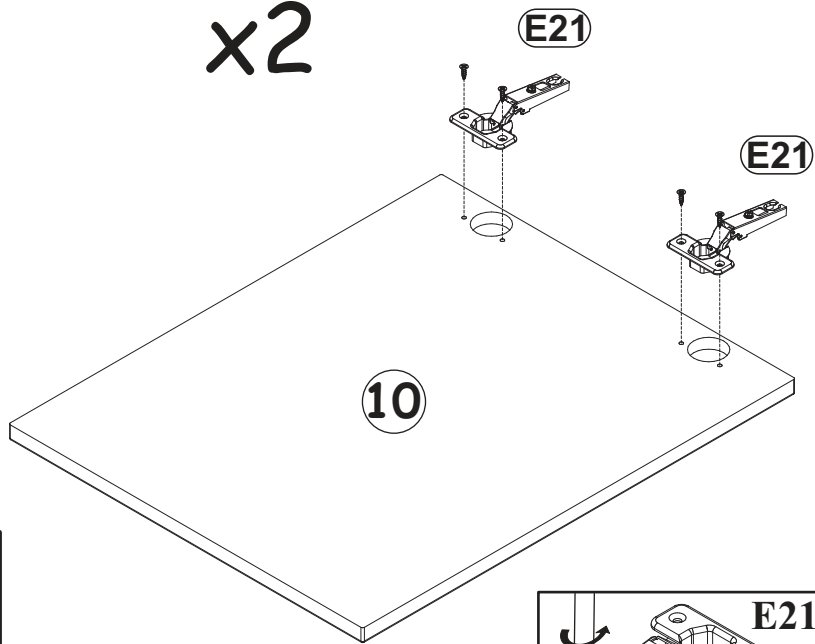


7

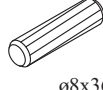
D10	USØ9/64"x33/64"	E21	Ø1 3/8"
x8	 USØ3,5x13	x4	 Ø35 H=0




x2

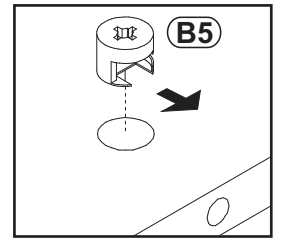
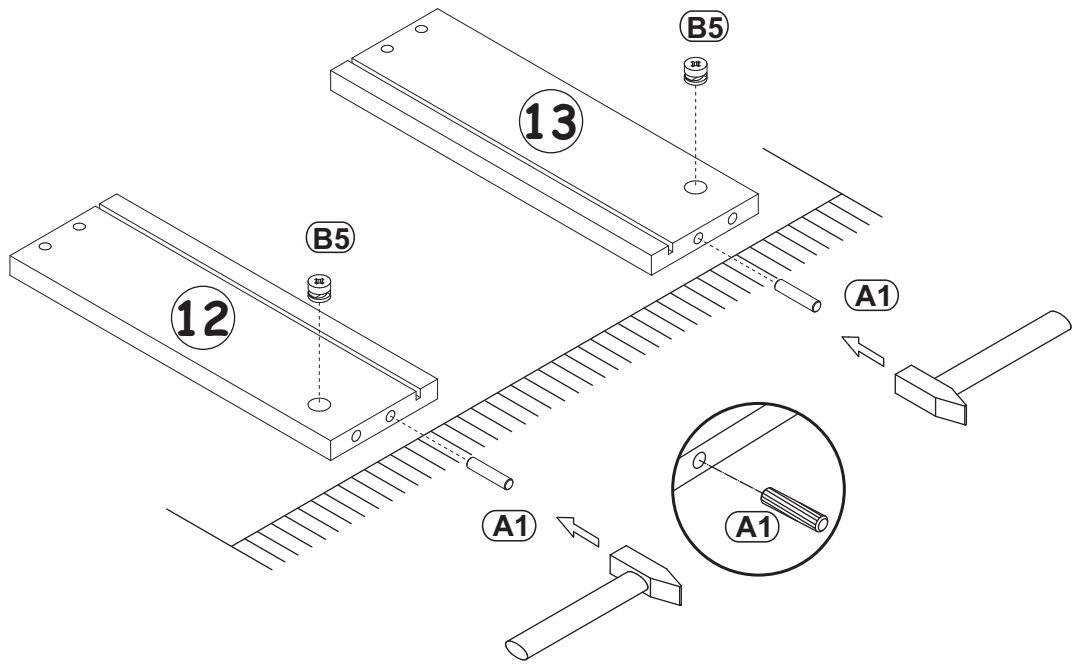
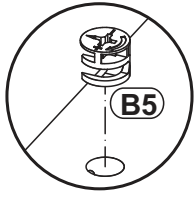


8

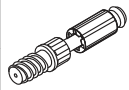
A1	Ø5/16"x1 27/64"
x4	 ø8x36

B5	Ø19/32"x15/32"
x4	 Ø15x12

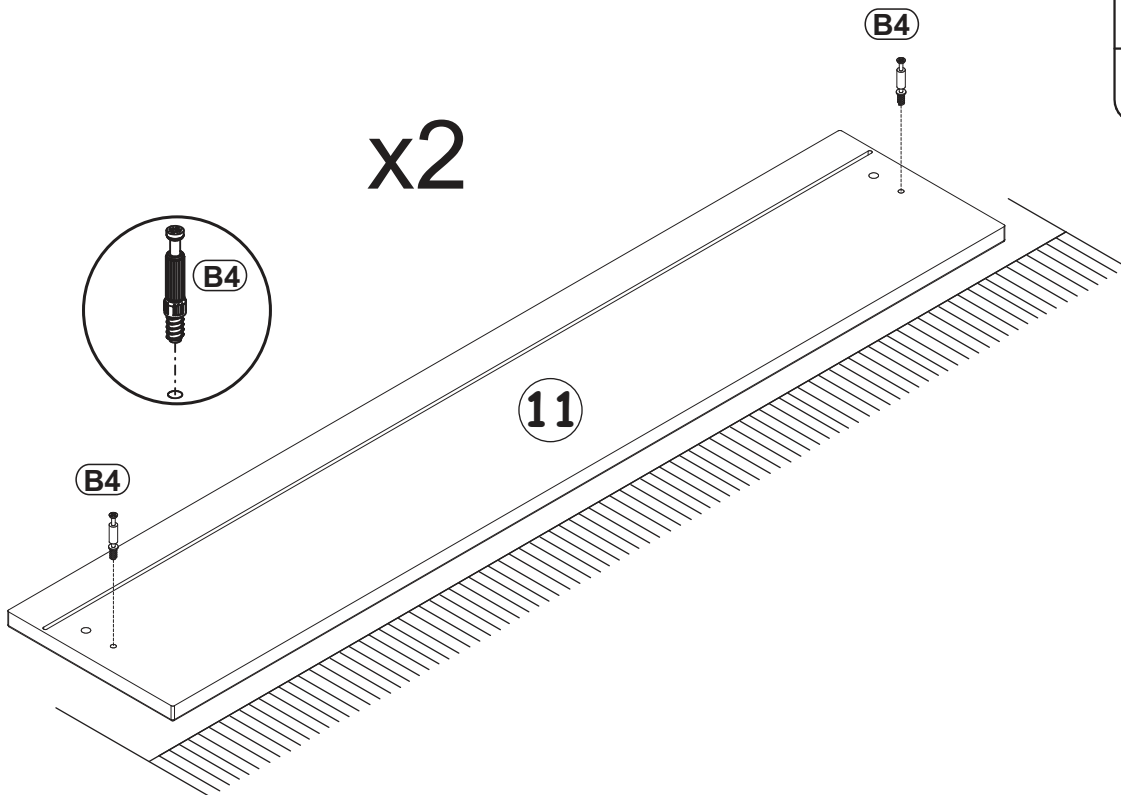
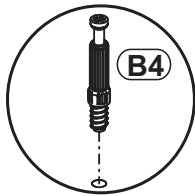
x2



9

B4	
x4	

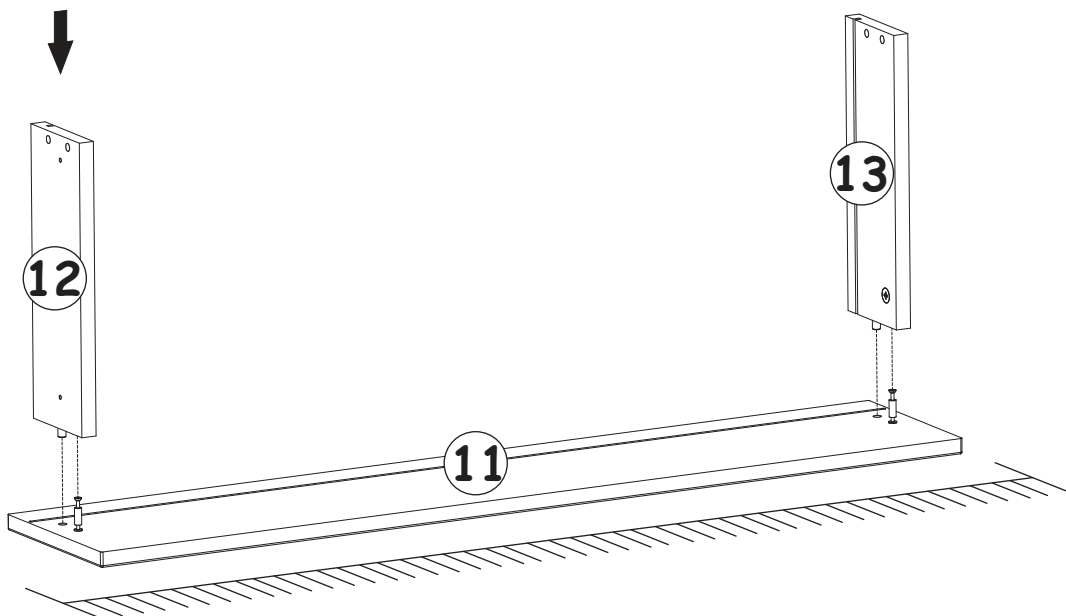
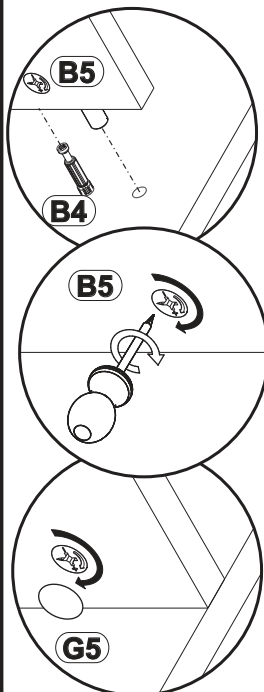
x2





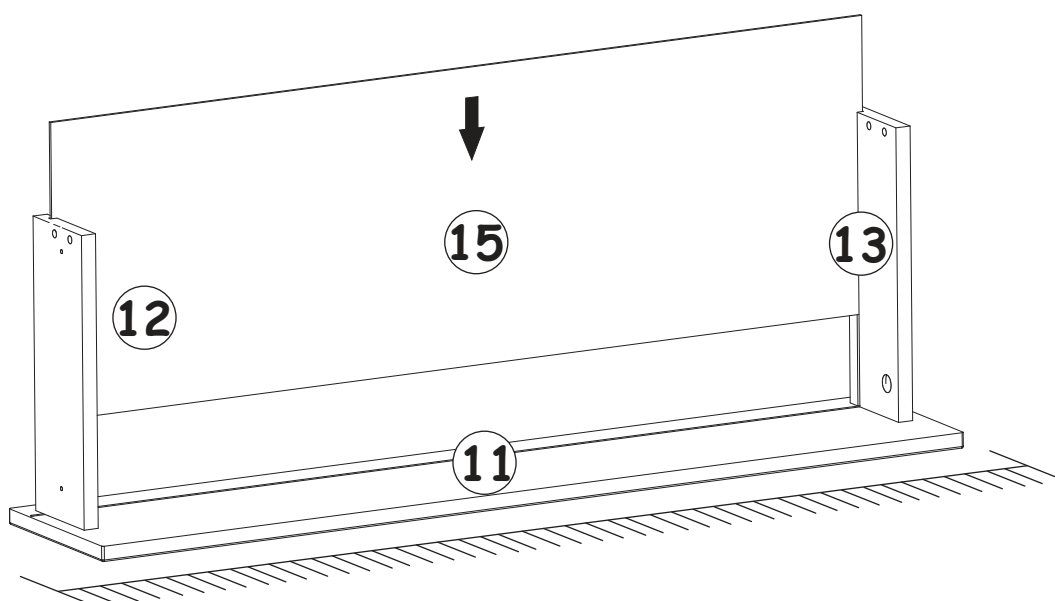
10

x2




11

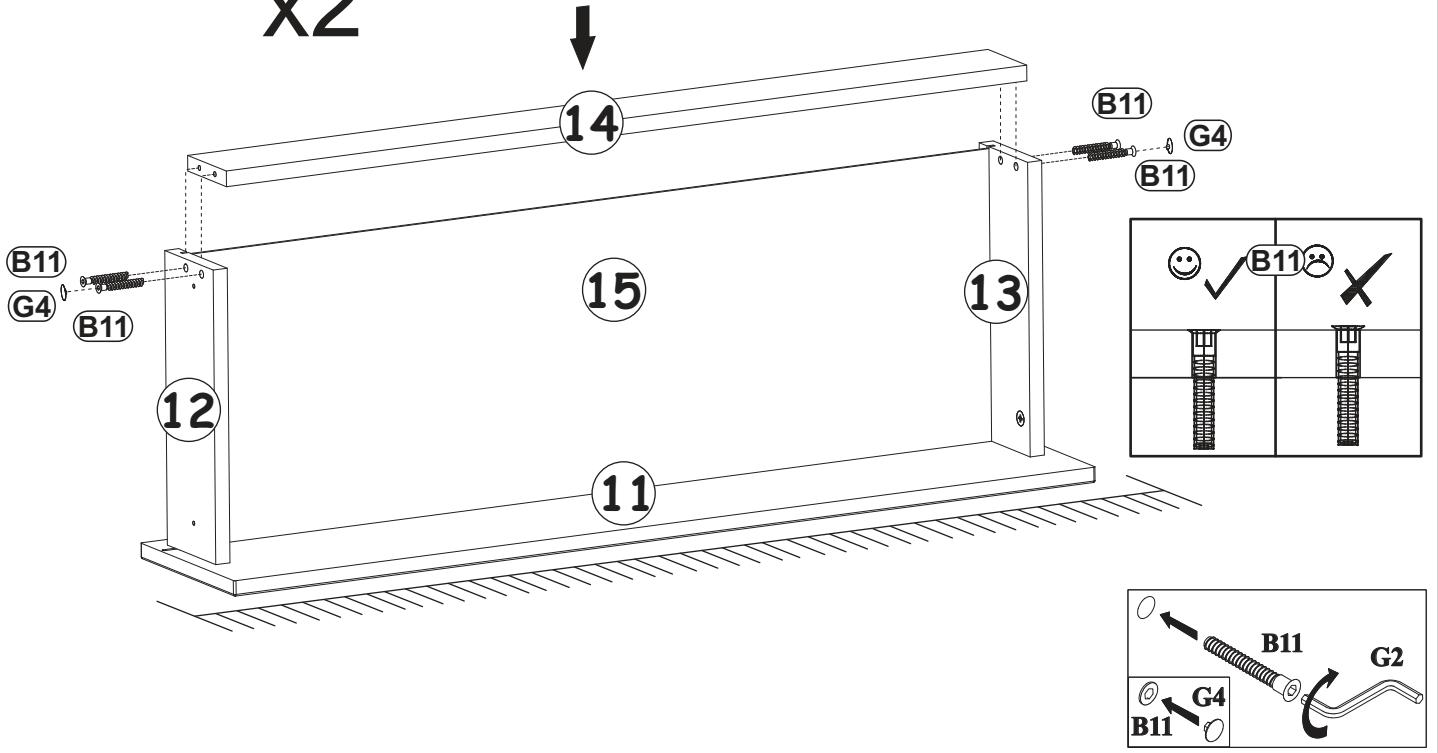
x2



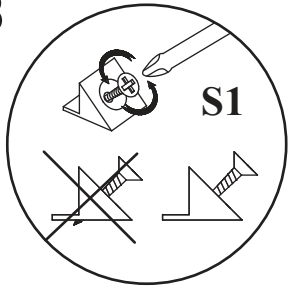
12

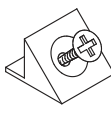
x2

G4		B11	Ø9/32"x1 31/32"
x4	C	x8	Ø7x50

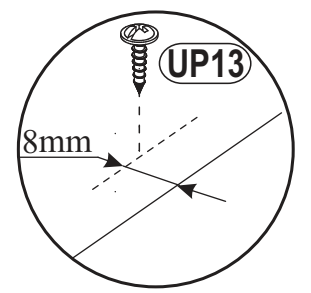
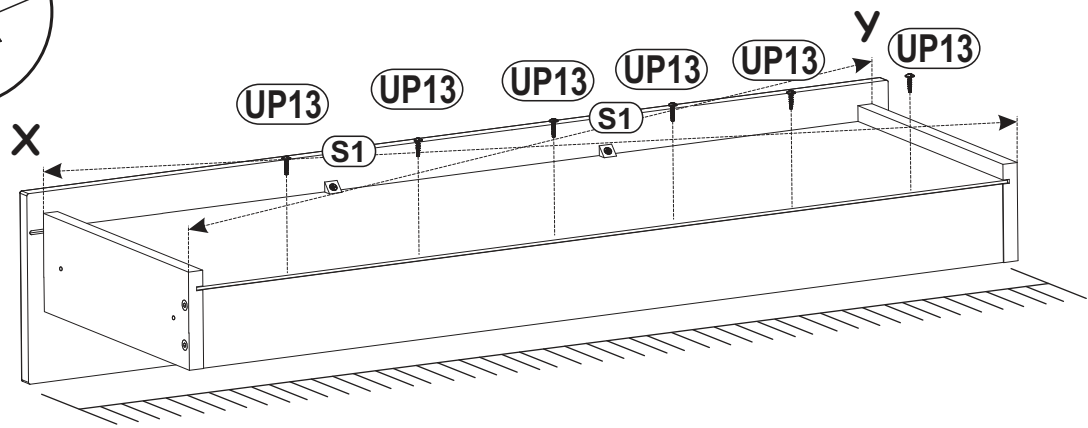
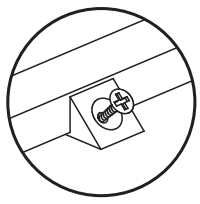


13



S1		UP13	USØ1/8"x5/8"
x4		x12	UPØ3x16

x2

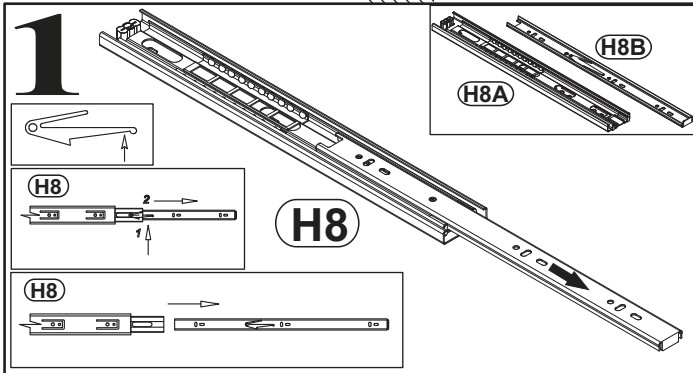
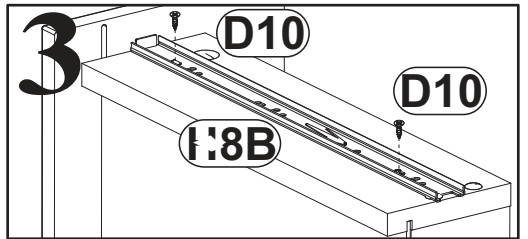
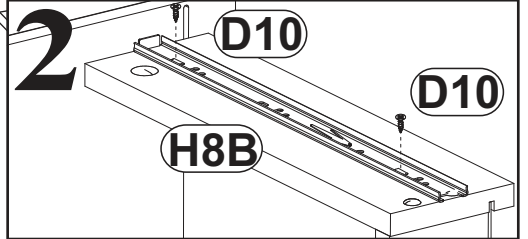
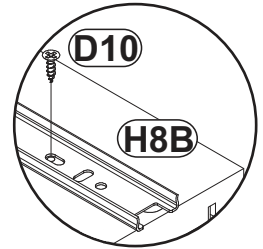
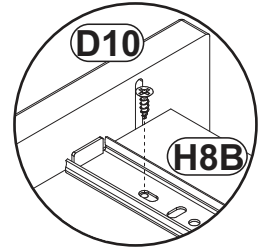
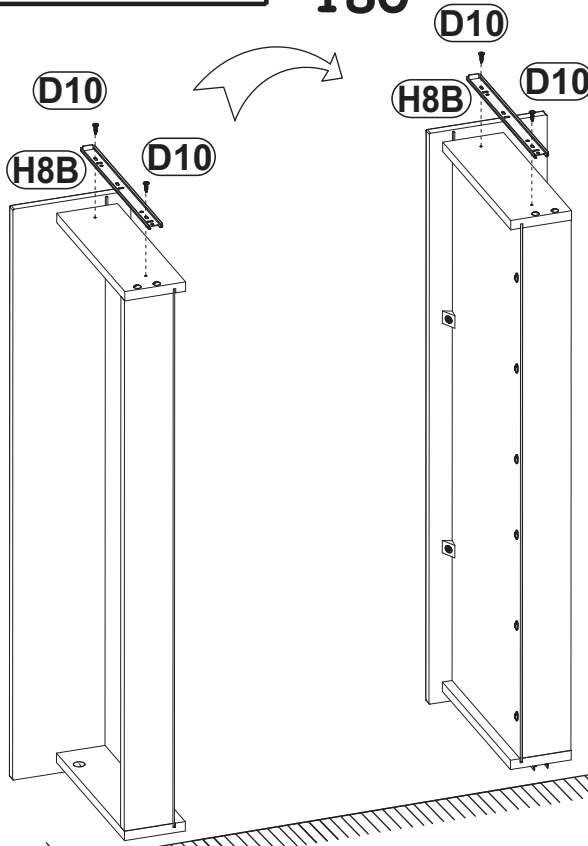


14

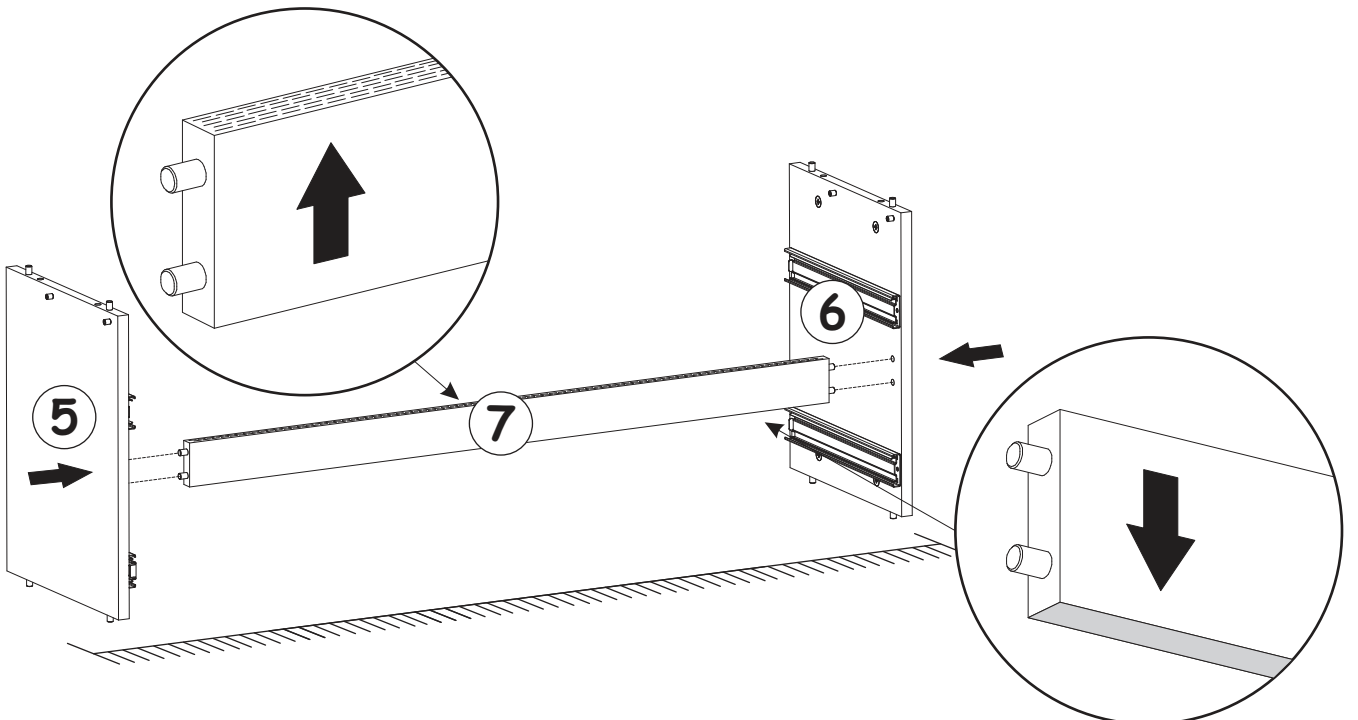
180°

D10	USØ9/64"x33/64"	H8	L- 11 13/16"
x8	USØ3,5x13	x2	L-300mm

x2

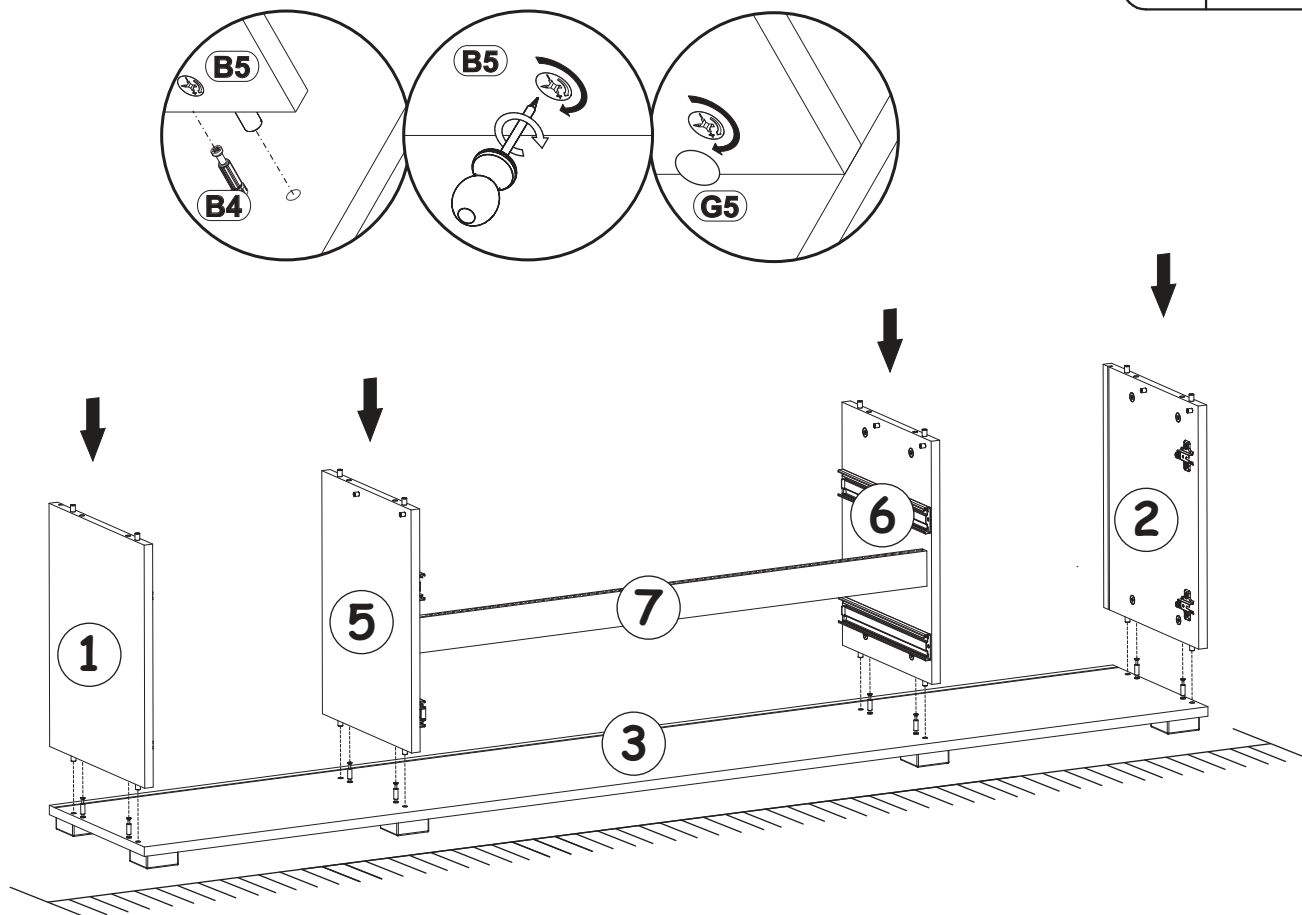


15

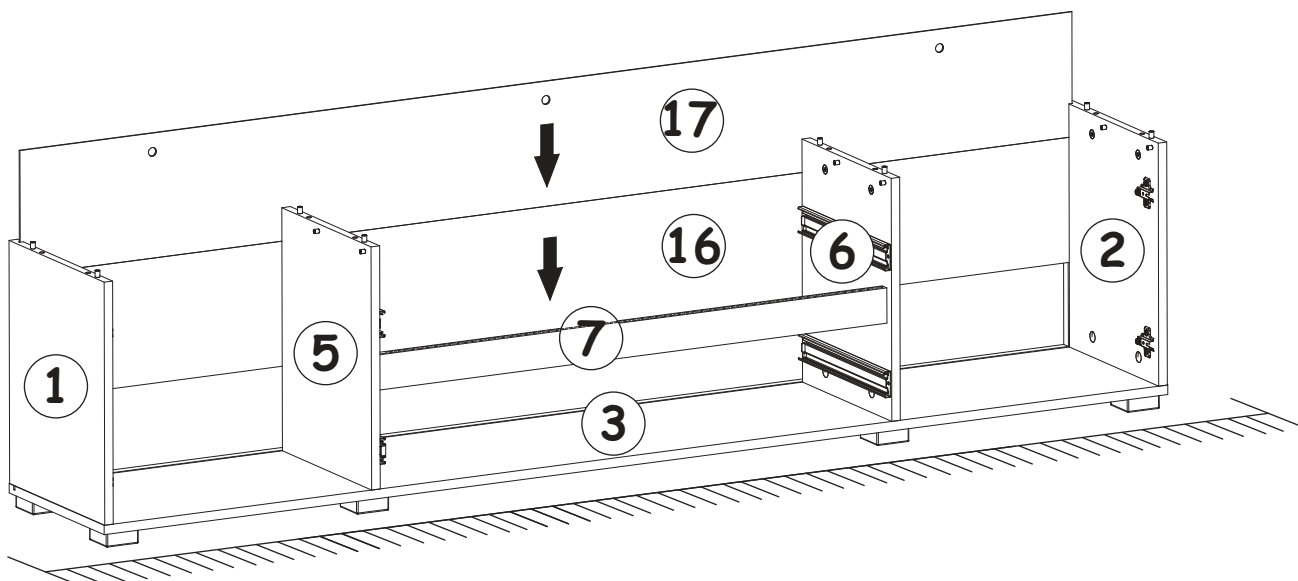





16

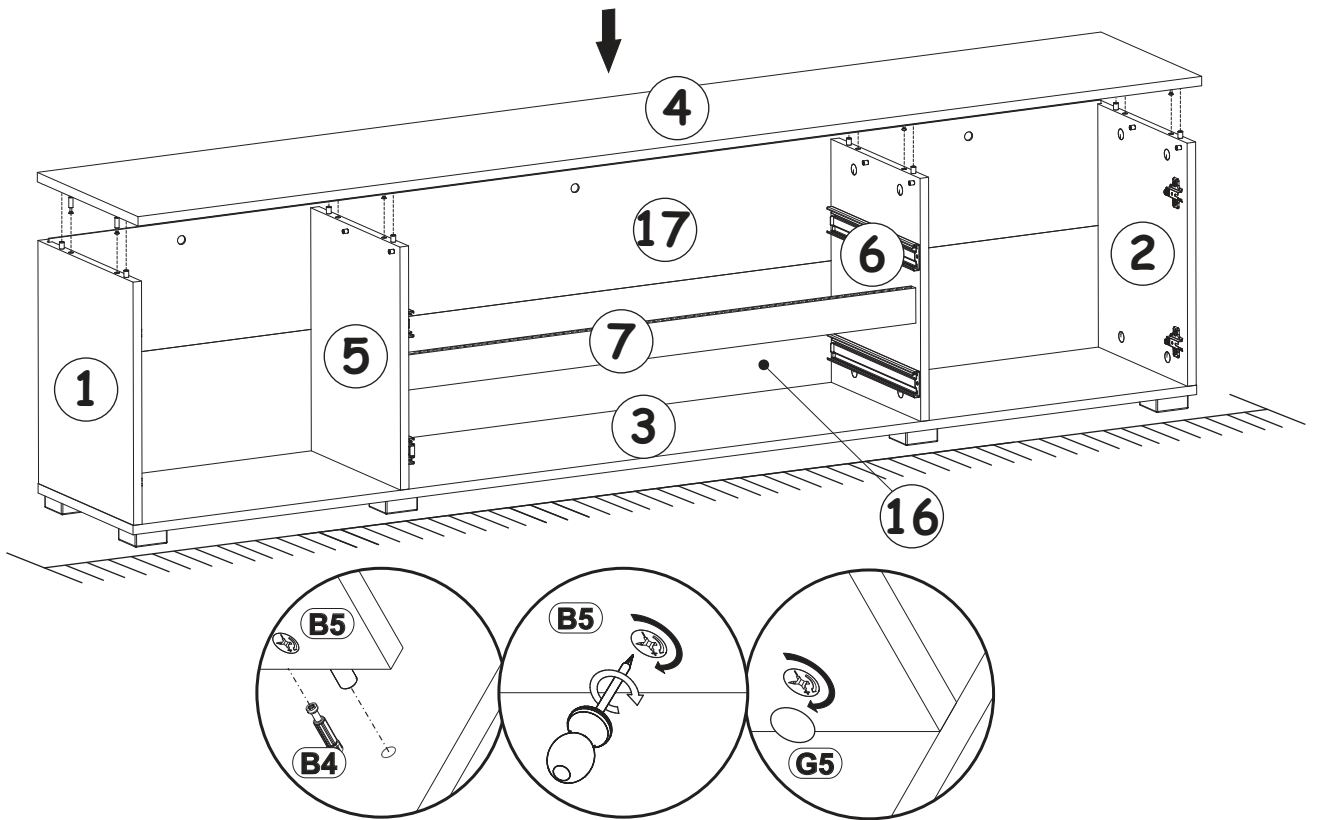


17

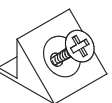


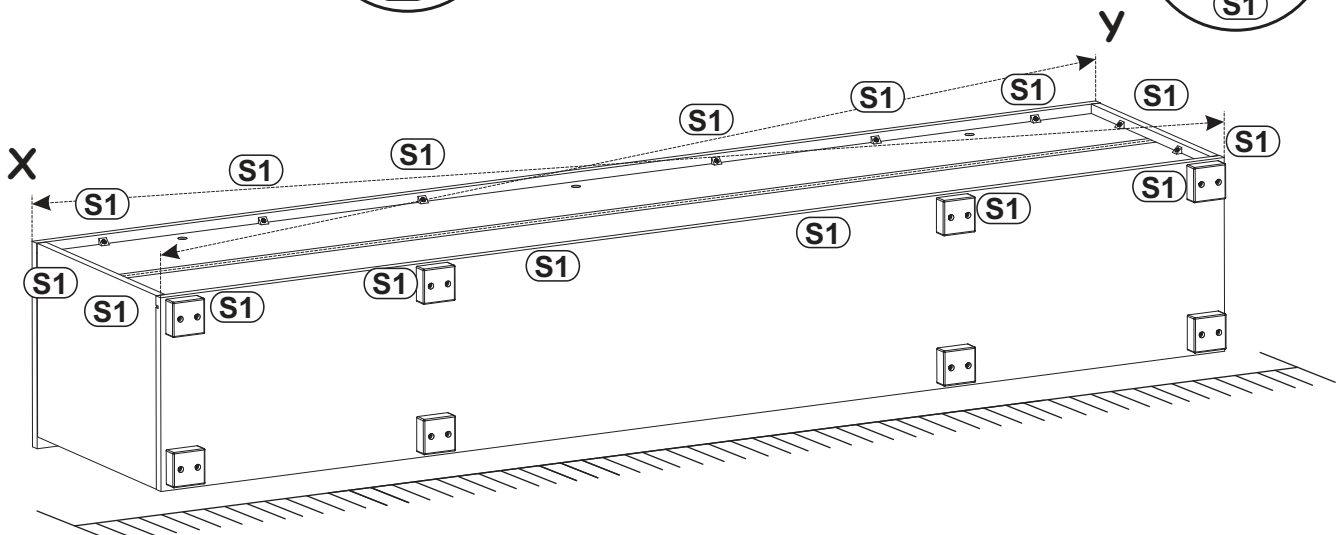
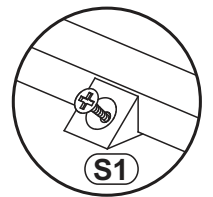
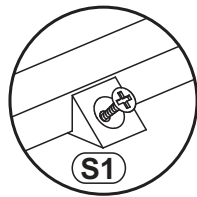
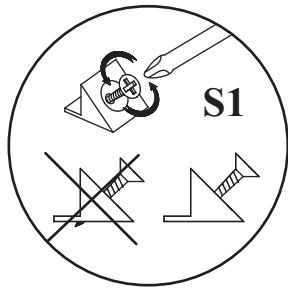
18

G5	
x8	

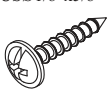


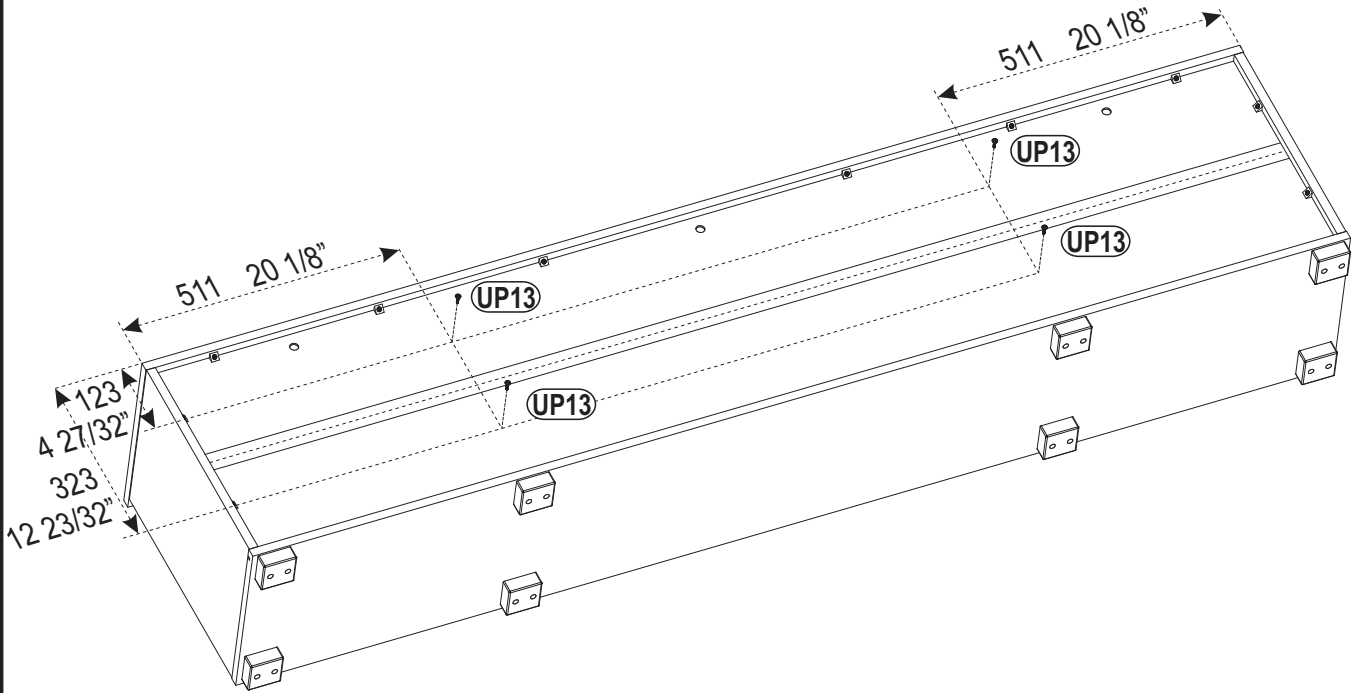
19

S1	
x16	


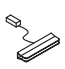


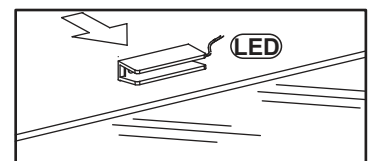
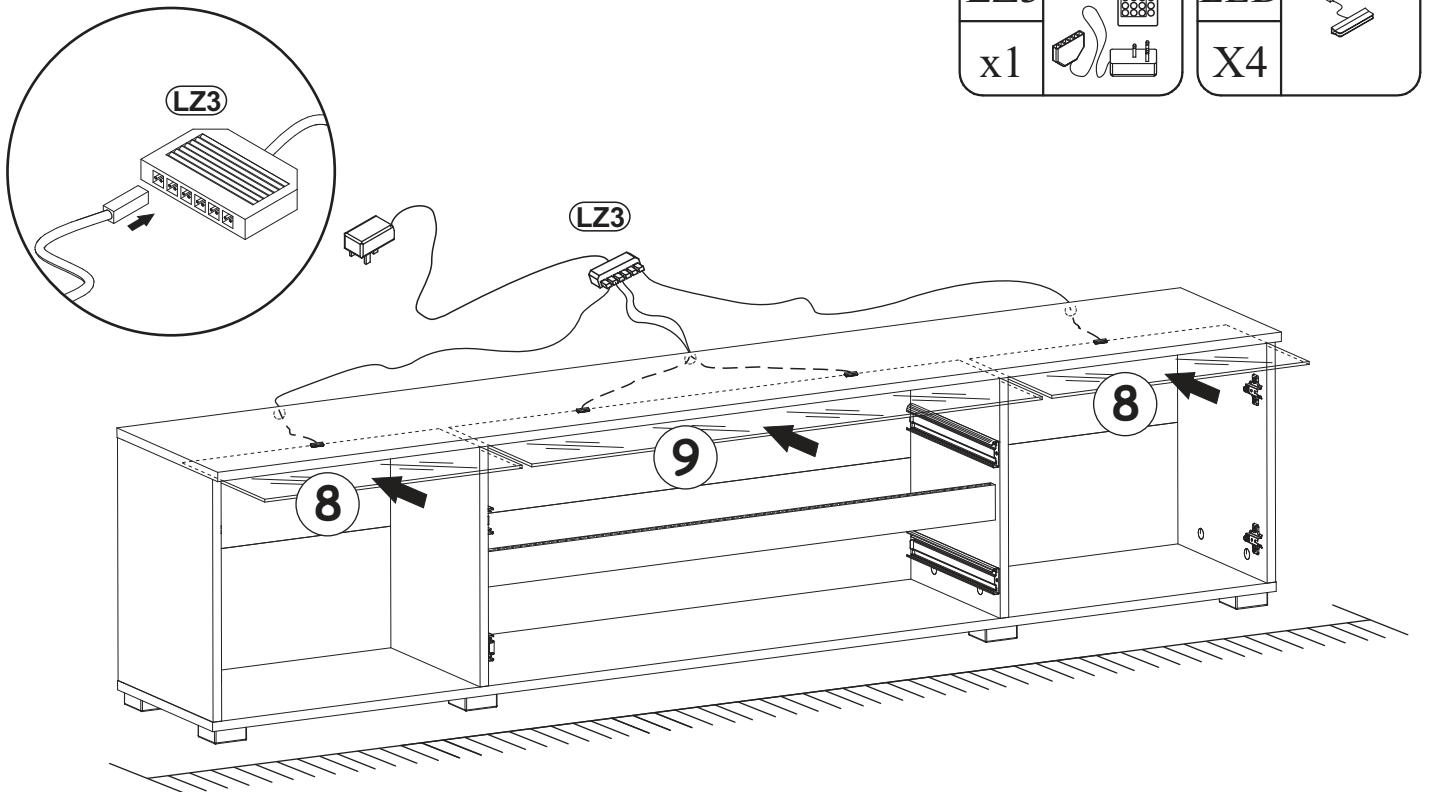
21

UP13	USØ1/8" x 5/8"
x4	 UPØ3x16



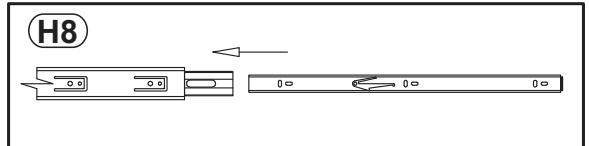
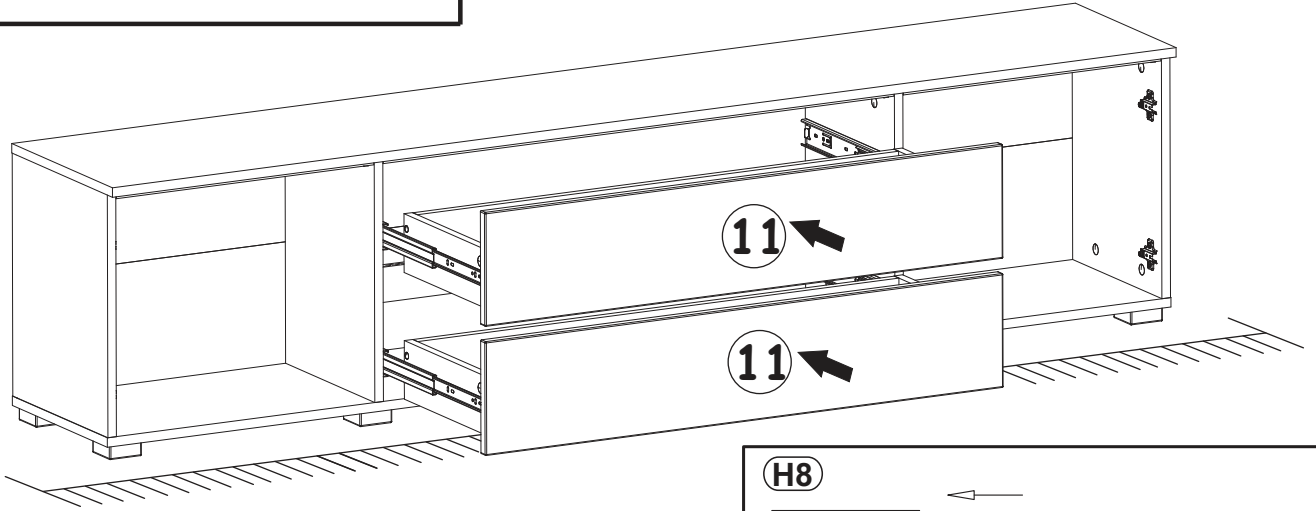
22

LZ3		LED	
x1		X4	

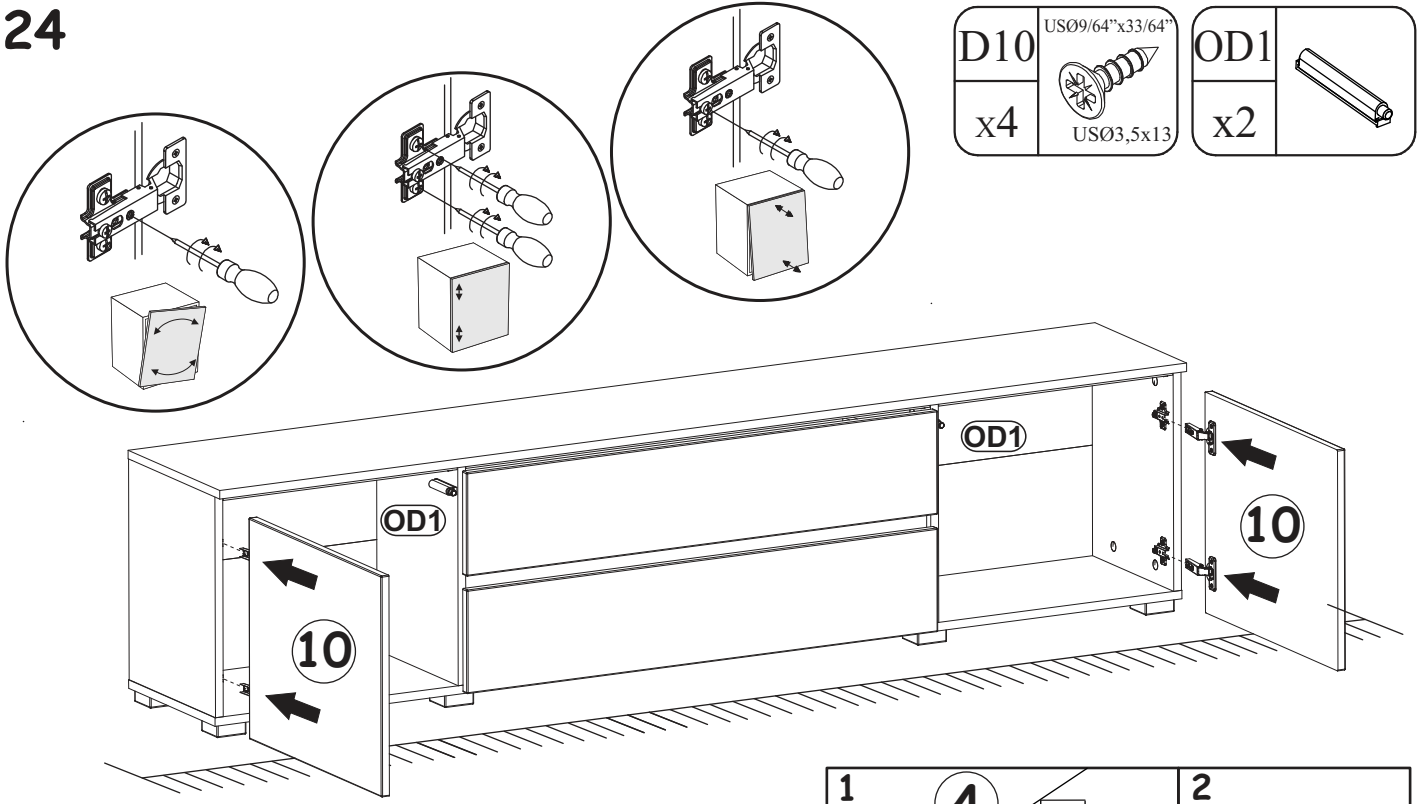


EUPHORIA 01

23



24



D10
x4

USØ9/64"x33/64"
USØ3,5x13

OD1
x2

