

DISPARO

DISPARO_05

OP-28,76

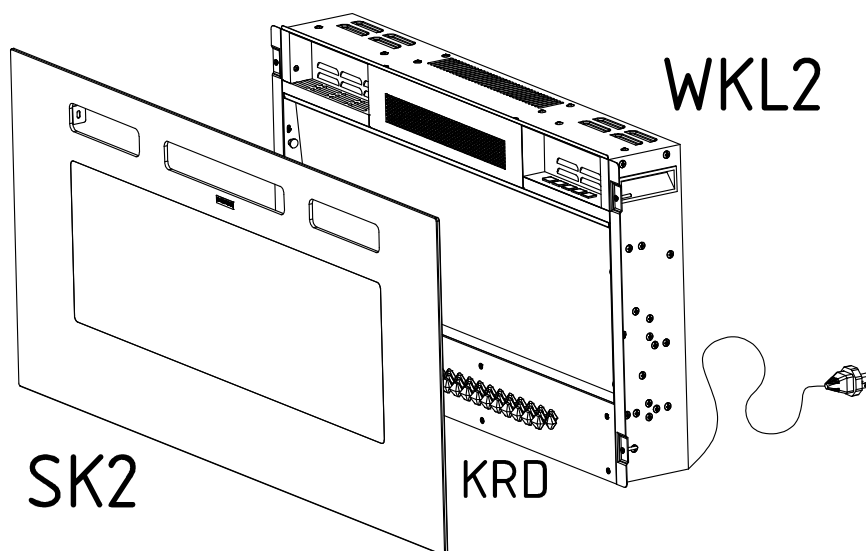
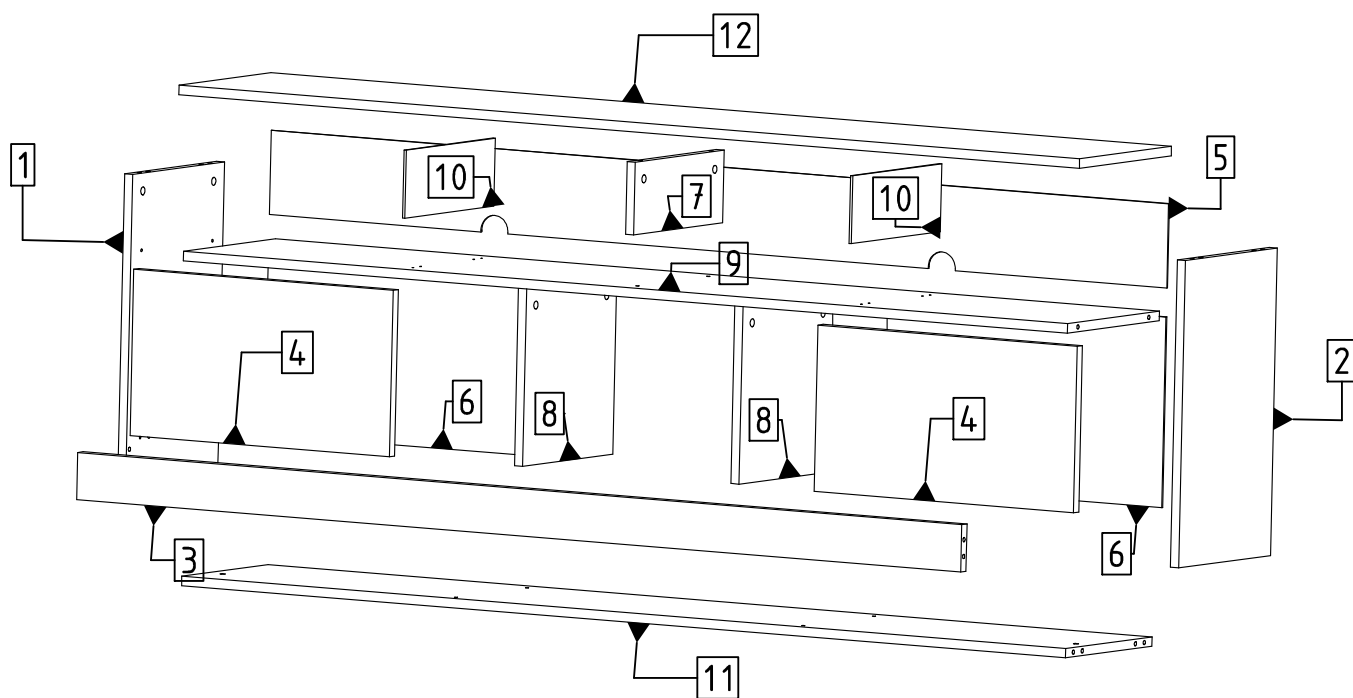
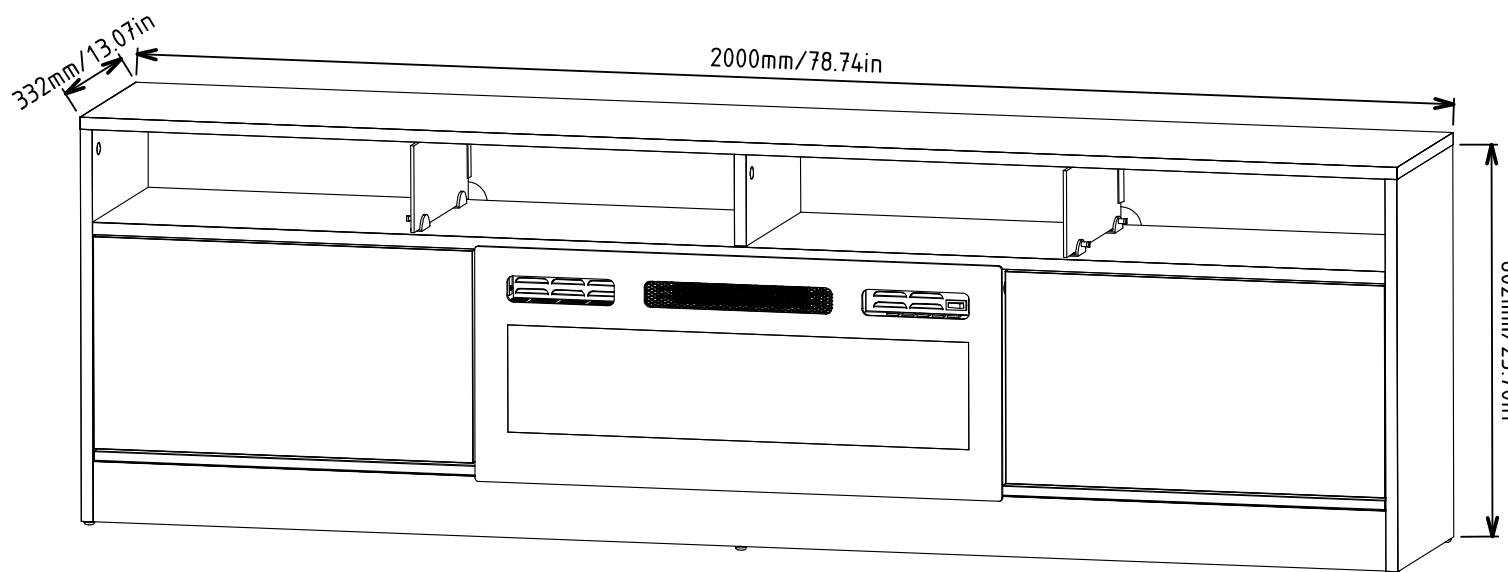
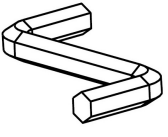
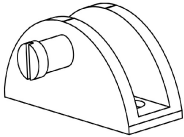
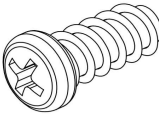
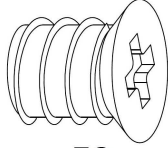
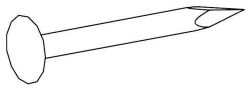
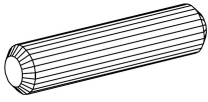
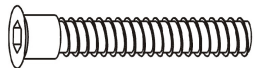
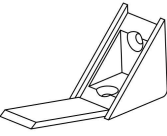


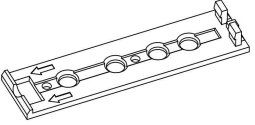
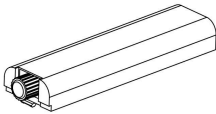
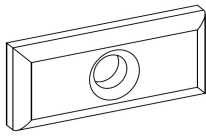
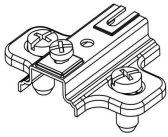
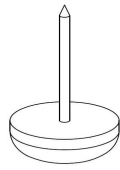
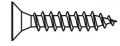
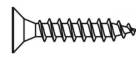
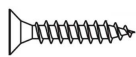
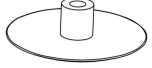
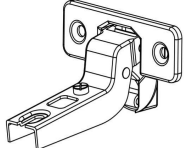
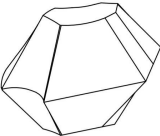
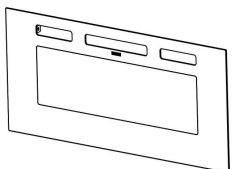
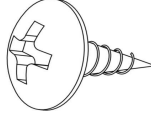
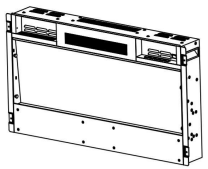
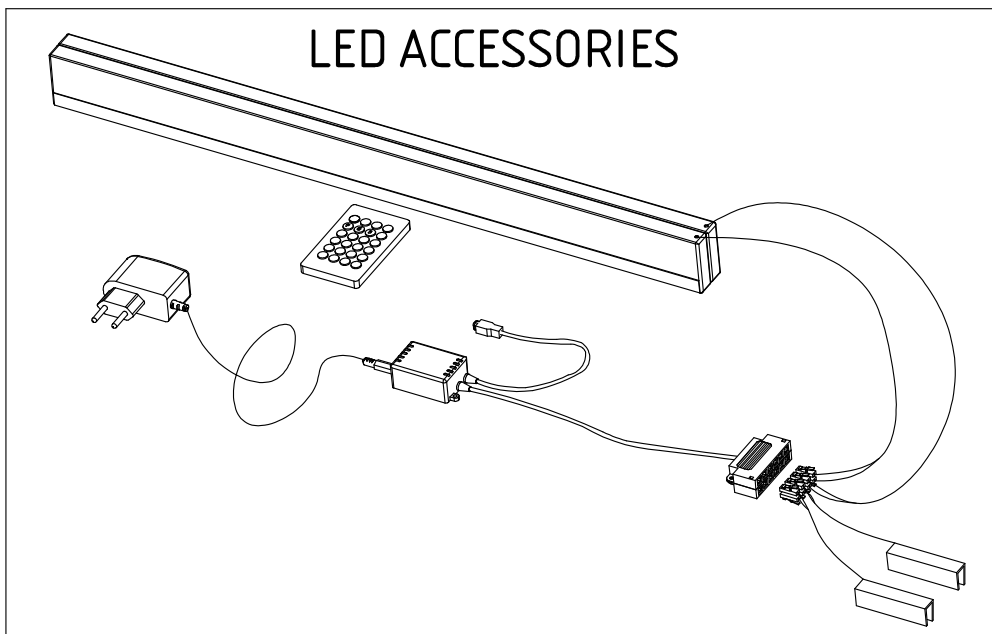


Table accessories

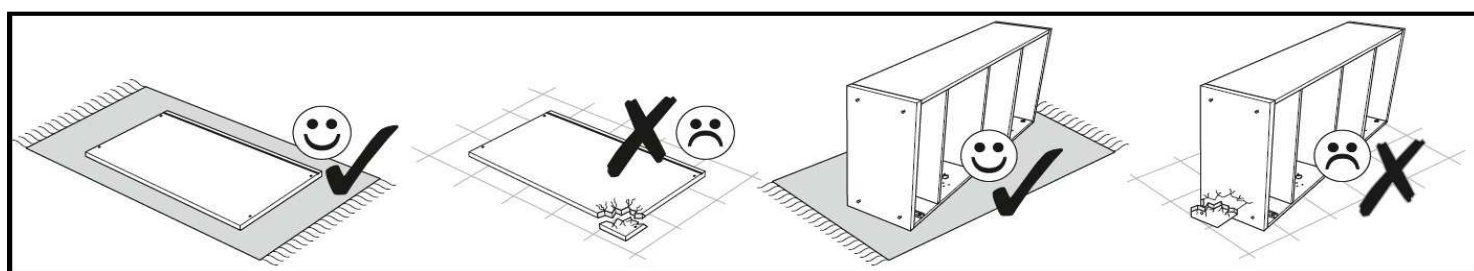
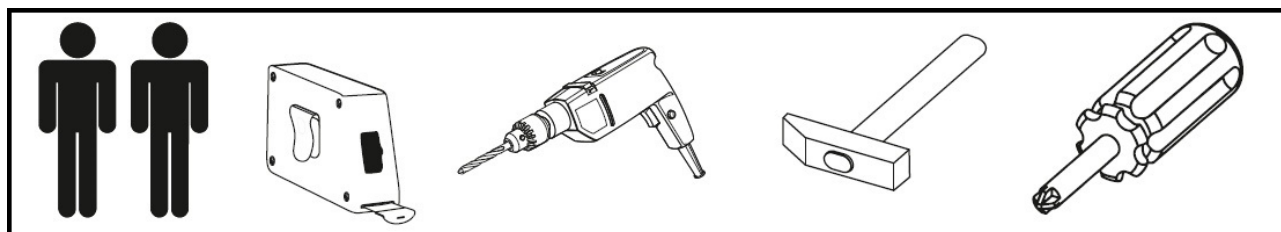
DISPARO_05

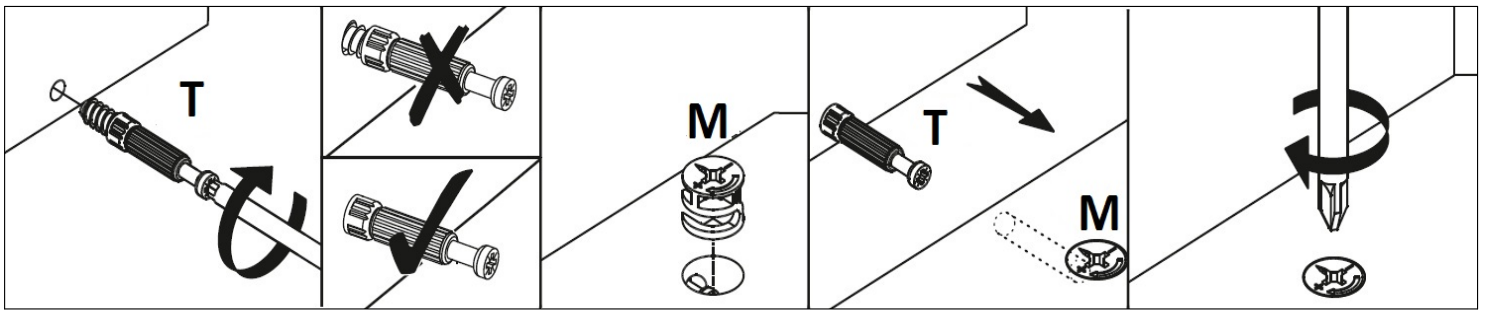
 <p>A1 8 x 30</p>	 <p>BS 6,3 X 50</p>	<p>6,3 X 13</p>  <p>E13</p>	<p>6,3x9mm</p>  <p>E3 15 x 12</p>	 <p>G h=78mm</p>
 <p>K</p>	 <p>KN</p>	 <p>KP</p>	 <p>M</p>	 <p>N78</p>
 <p>OB 6 x 34 mm</p>	 <p>OB2 4 x 16</p>	 <p>PL 3 x 16mm</p>	 <p>PRE 4 X 25mm</p>	 <p>SL</p>
 <p>T</p>	 <p>W16</p>	 <p>W3</p>	 <p>W4</p>	 <p>Z</p>
 <p>ZP5</p>				
 <p>KRD</p>	 <p>SK2</p>	 <p>WK</p>	 <p>WKL2</p>	

LED ACCESSORIES

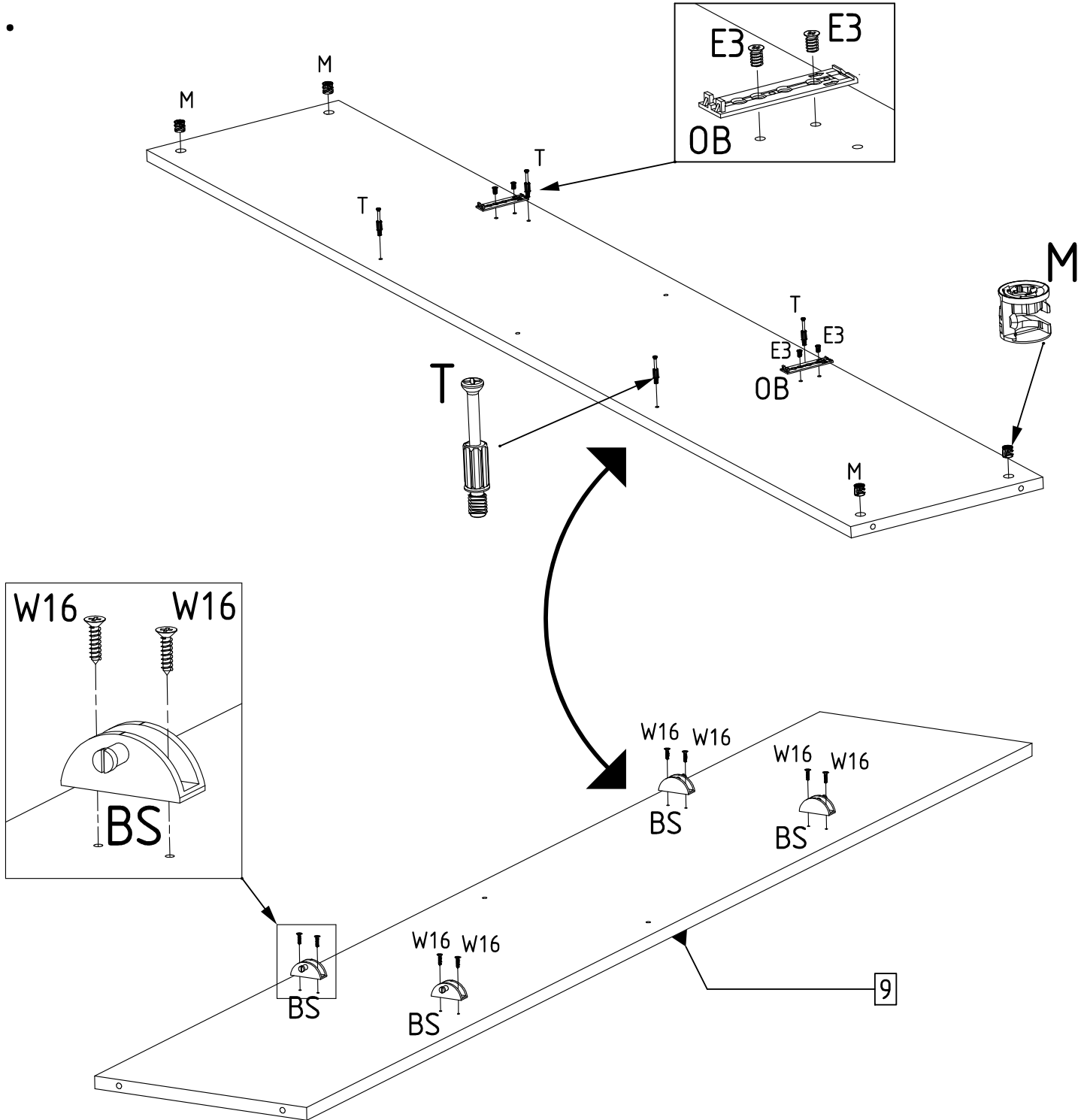


Elements				Accessories	
SYMBOL	LENGTH	WIDTH	QUANTITY	SYMBOL	QUANTITY
BL[1]	584	332	1	A1	1
				BS	4
BP[2]	584	332	1	E13	2
				E3	4
CD[3]	1963	90	1	G	49
				K	12
FT[4]	316	576	2	KN	6
				KP	2
PC1[5]	1993	160	1	KRD (attached to the electric fireplace)	62
				M	18
PC2[6]	618	362	2	N78	1
				OB	2
PD[7]	138	322	1	OB2	2
				PL	12
PPI0[8]	338	326	2	PRE	4
				SK2 (attached to the electric fireplace)	1
PPO[9]	1963	332	1	SL	5
				T	18
PS[10]	322	129	2	W16	20
				W3	12
WD[11]	1963	312	1	W4	4
				WK (attached to the electric fireplace)	6
WG[12]	2000	332	1	WKL2 (attached to the electric fireplace)	2
				Z	18
				ZP5	4

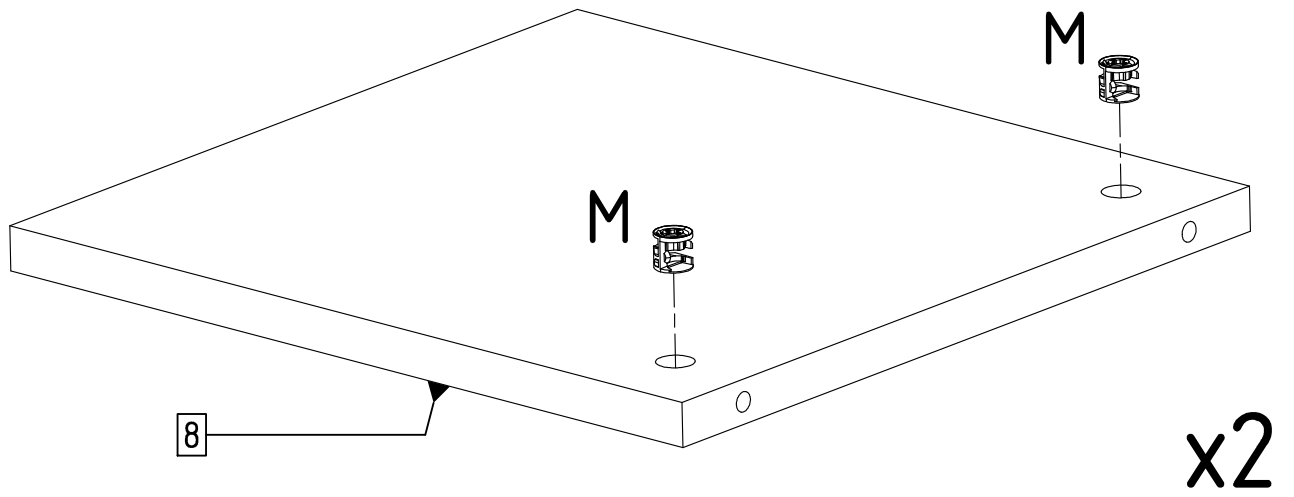




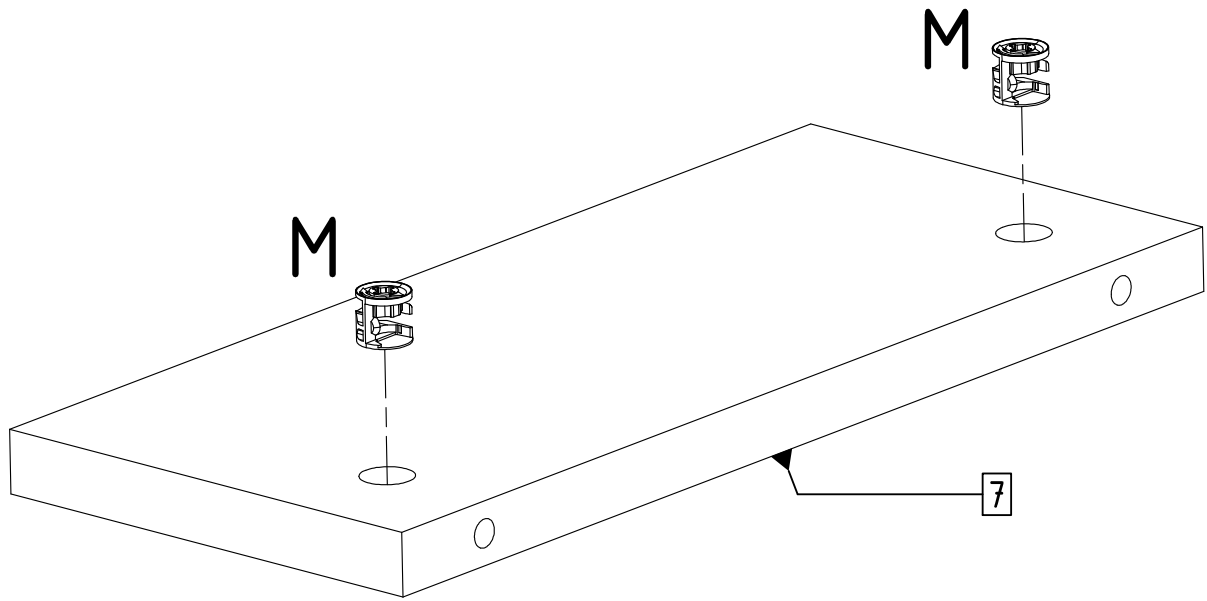
1.



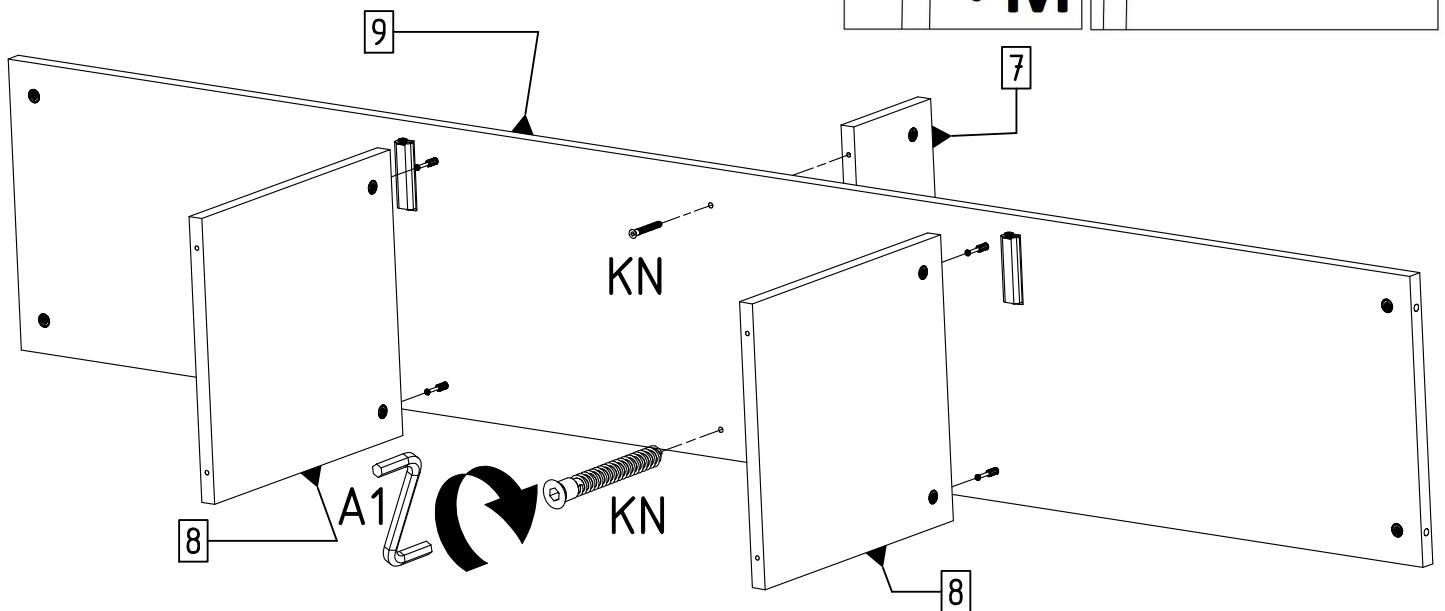
2.



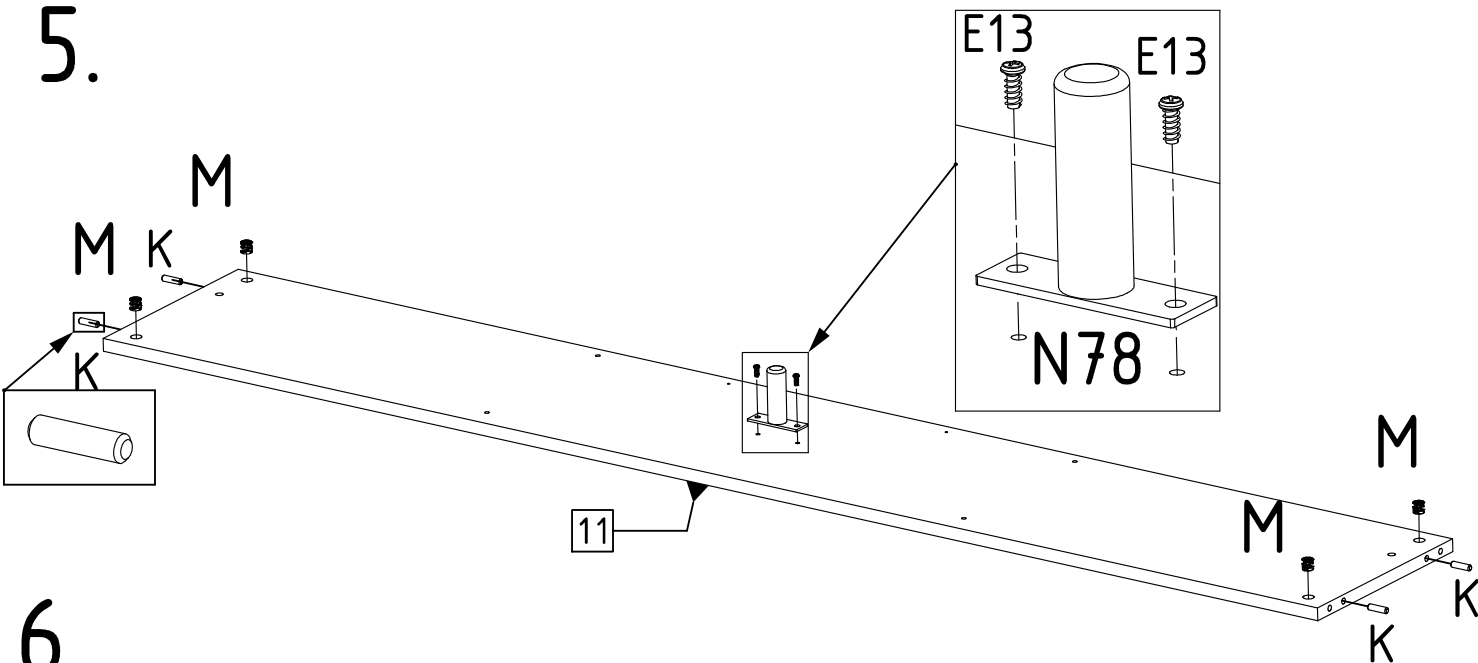
3.



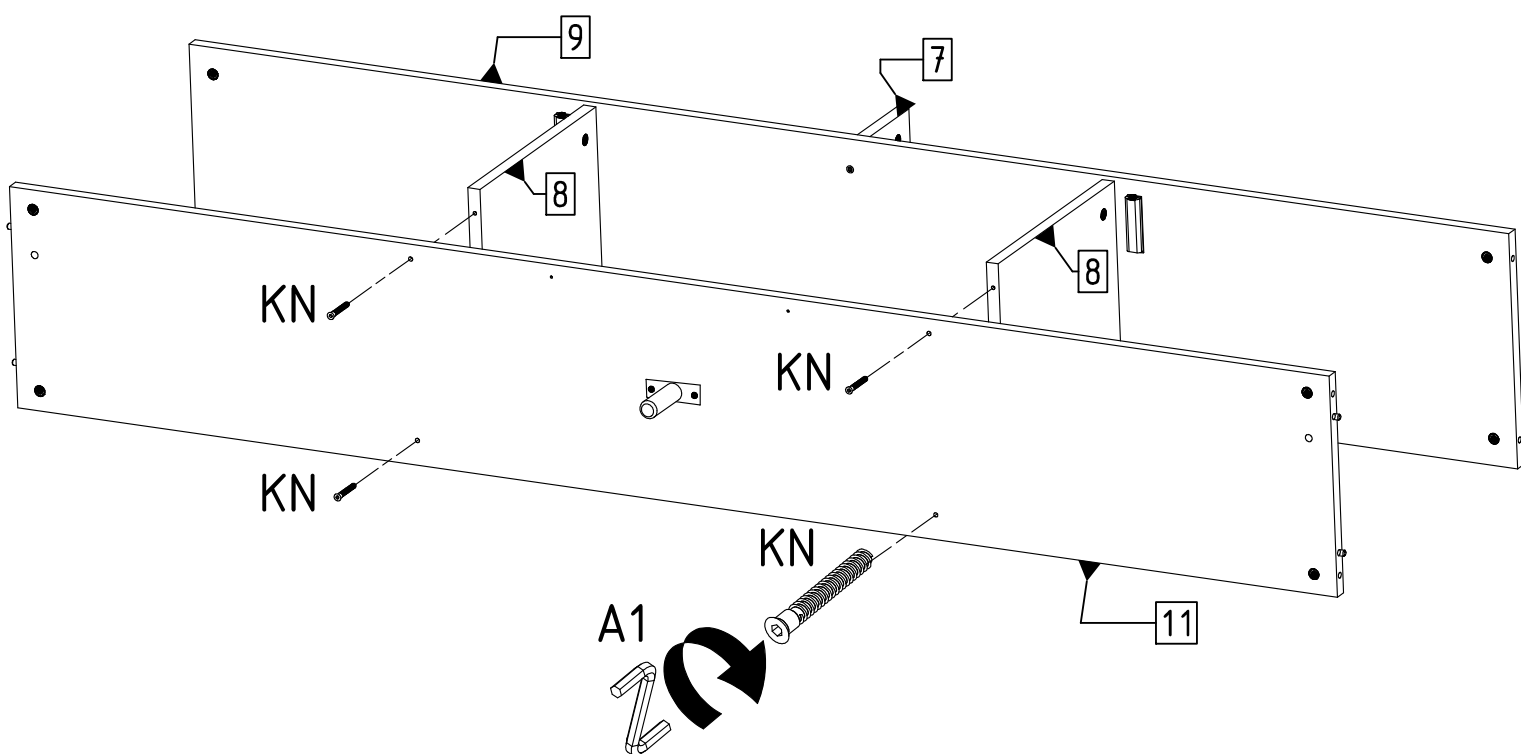
4.



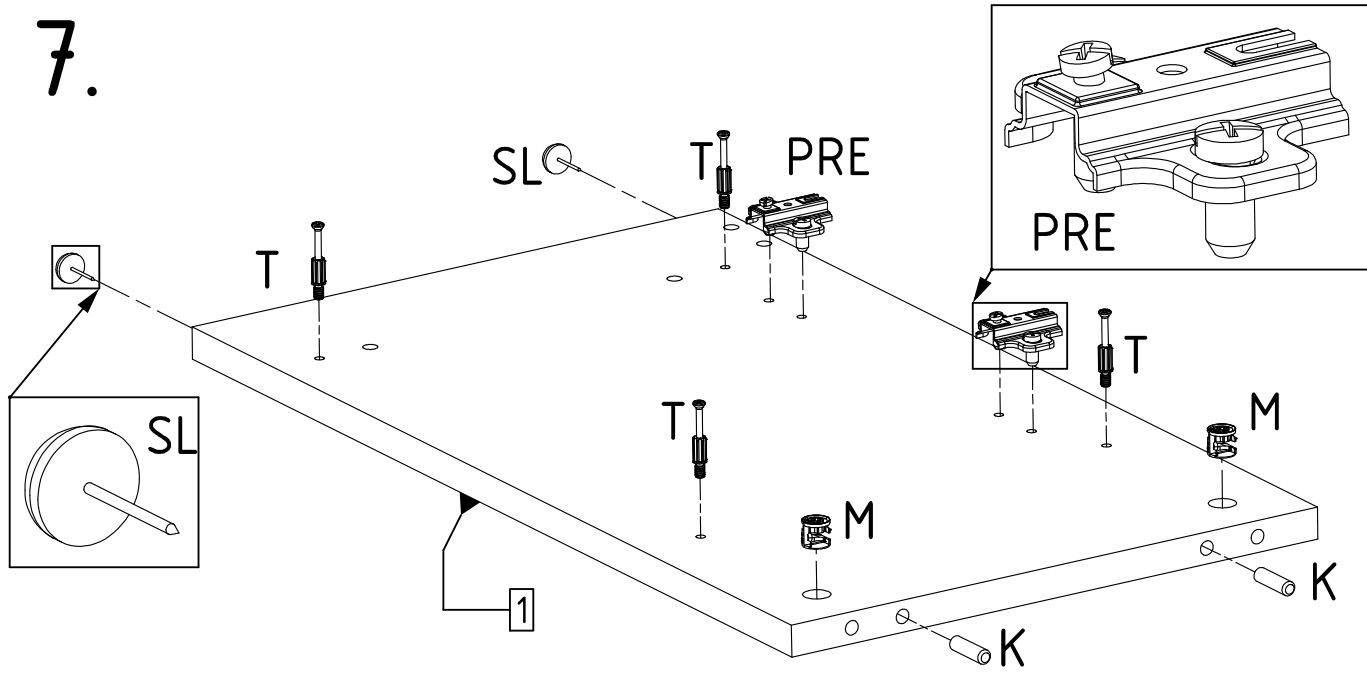
5.



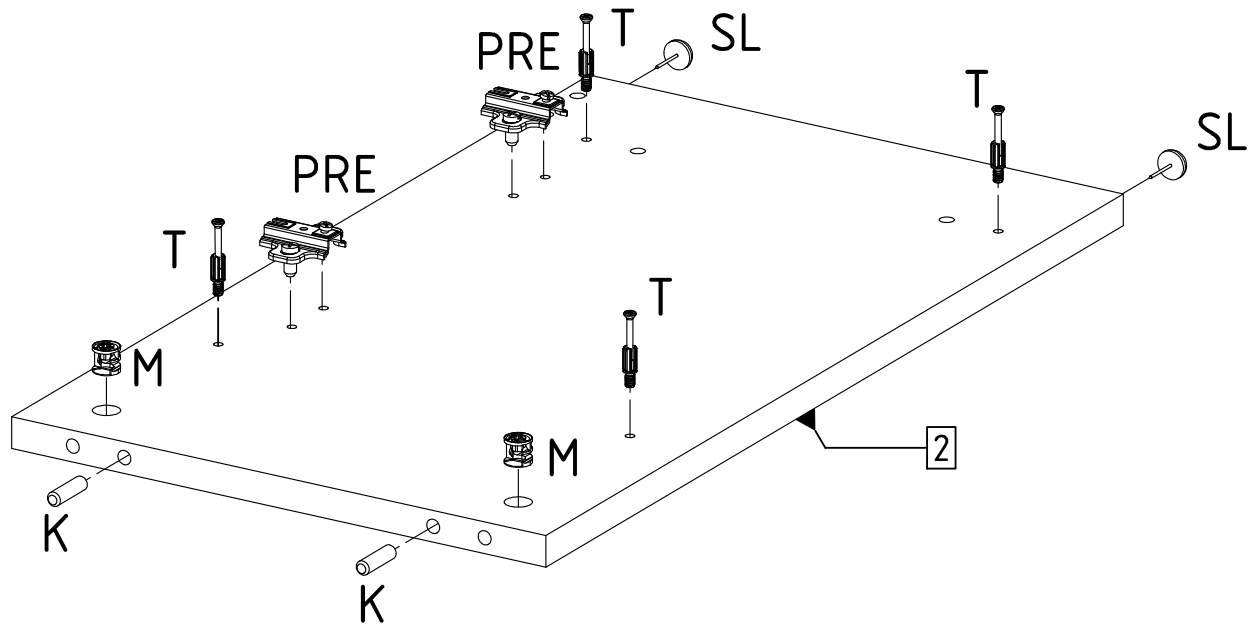
6.



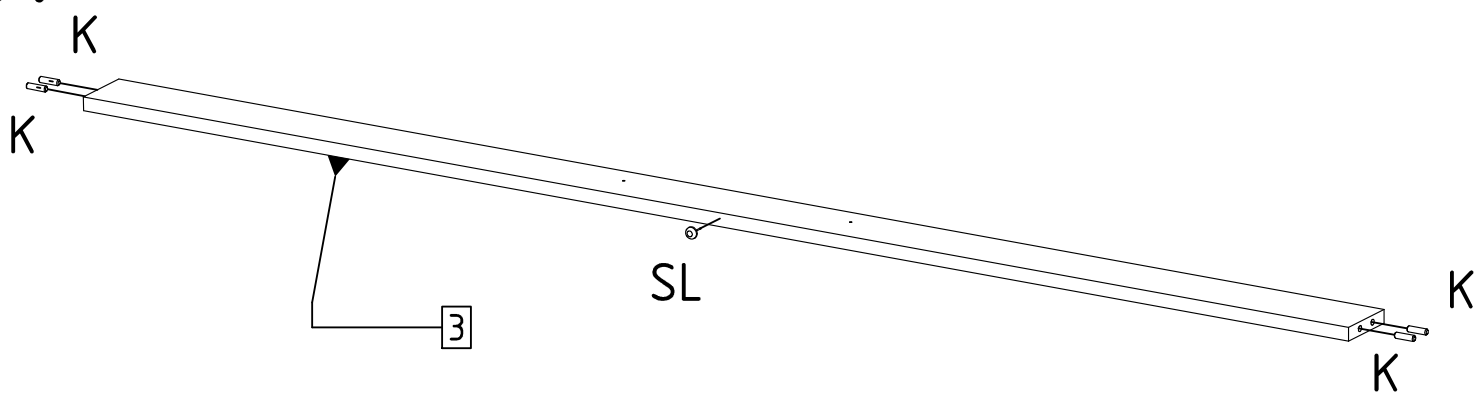
7.



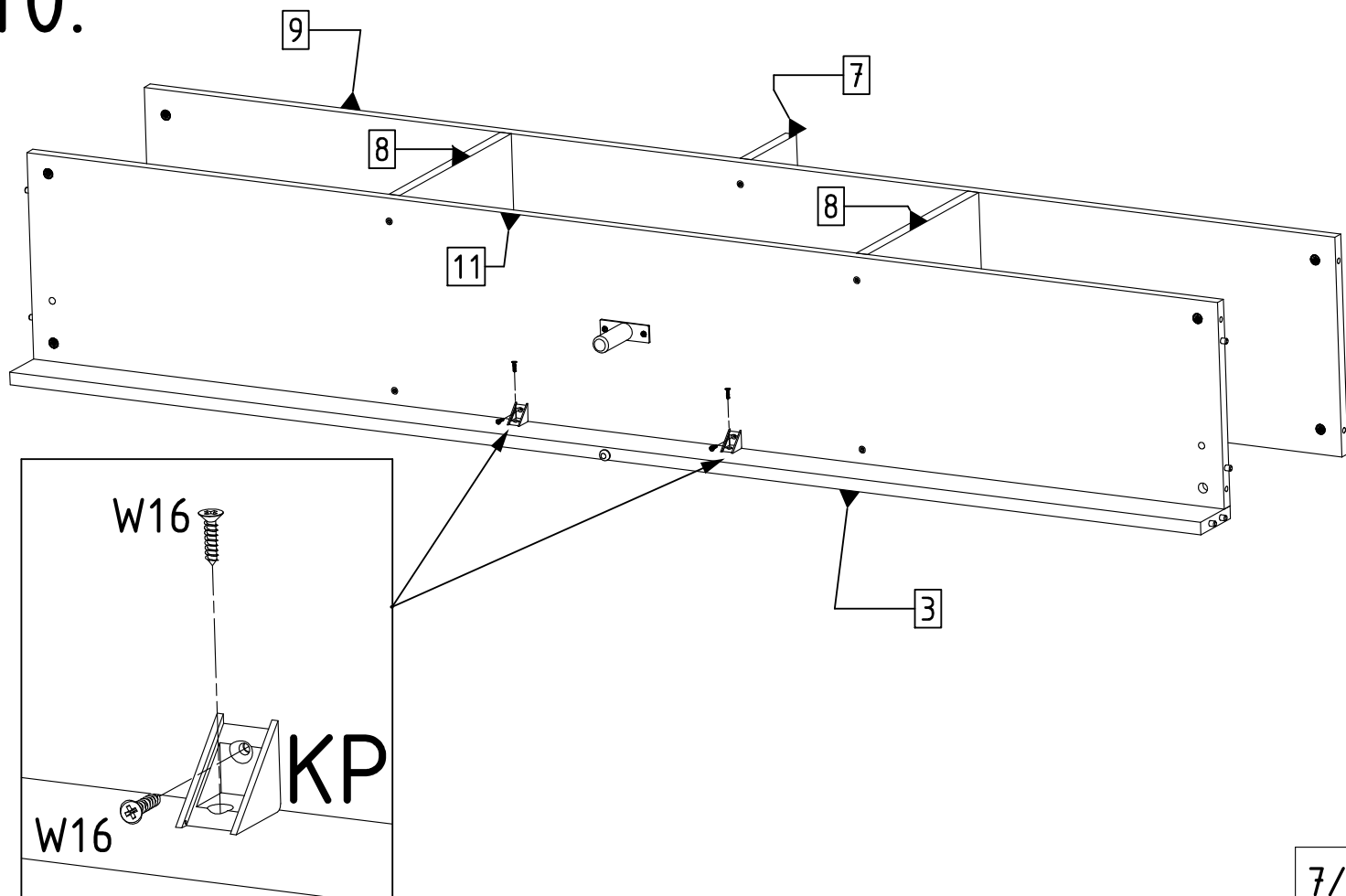
8.



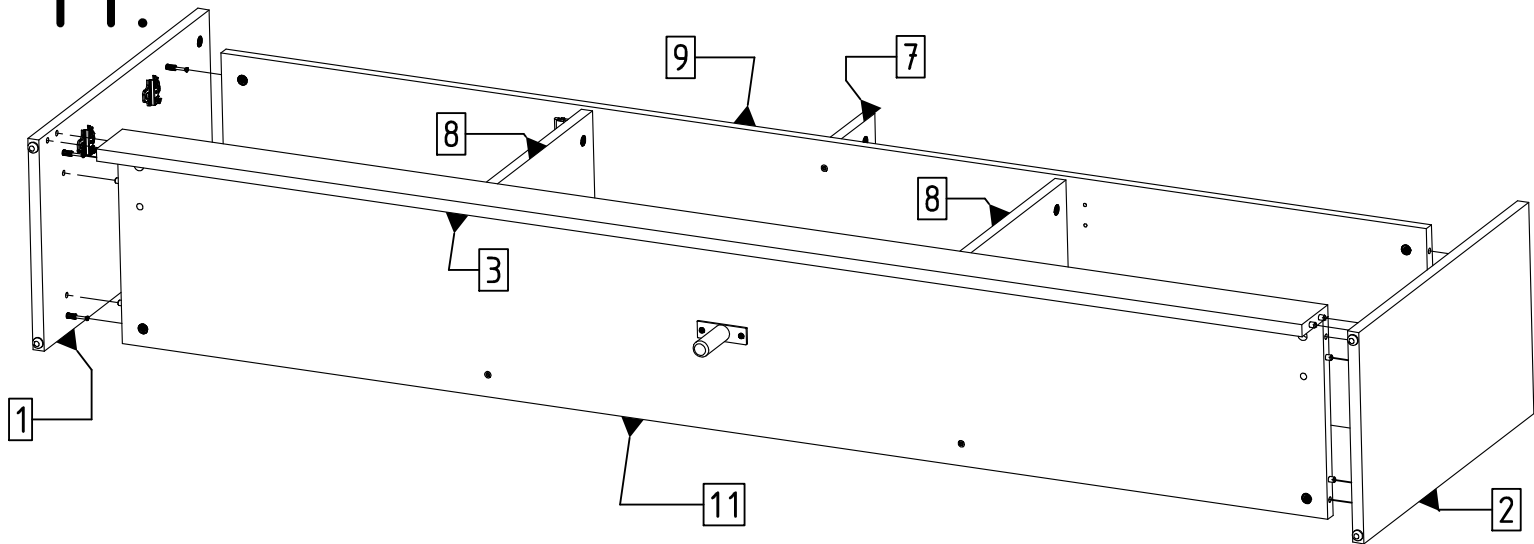
9.



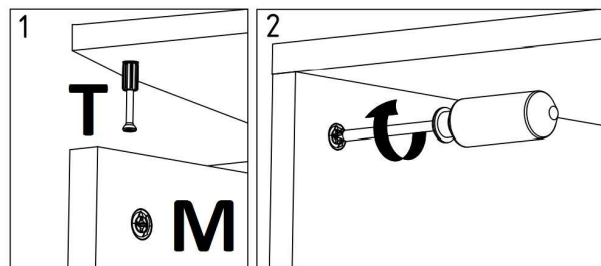
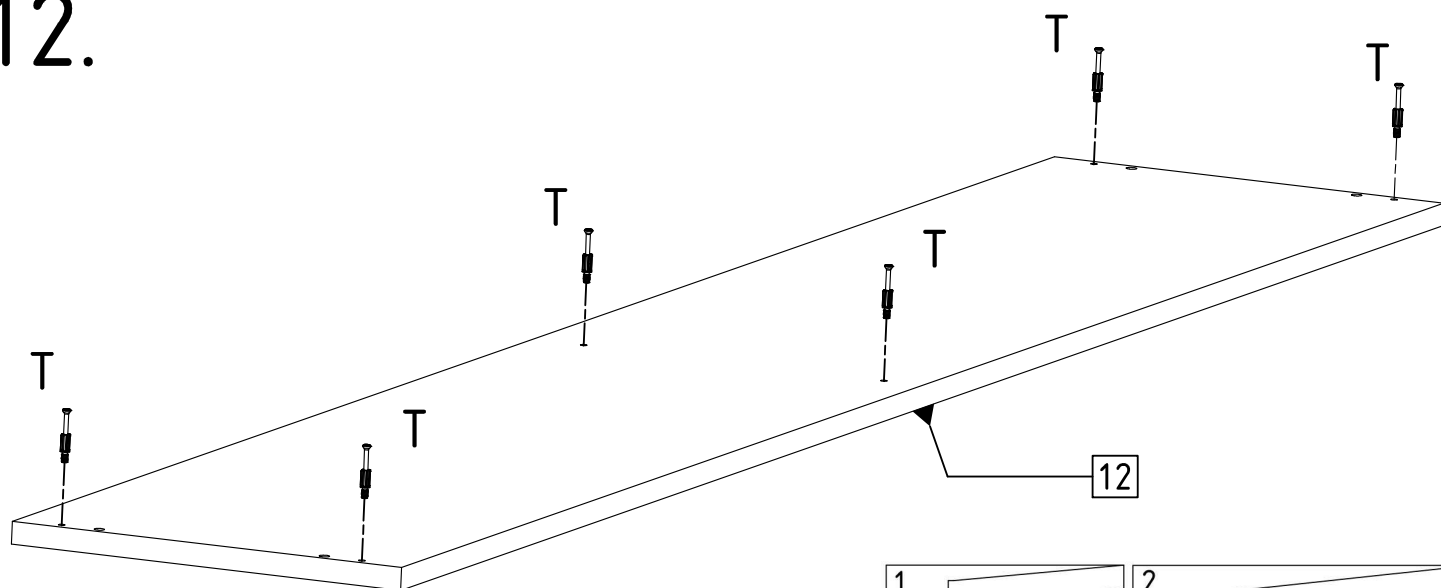
10.



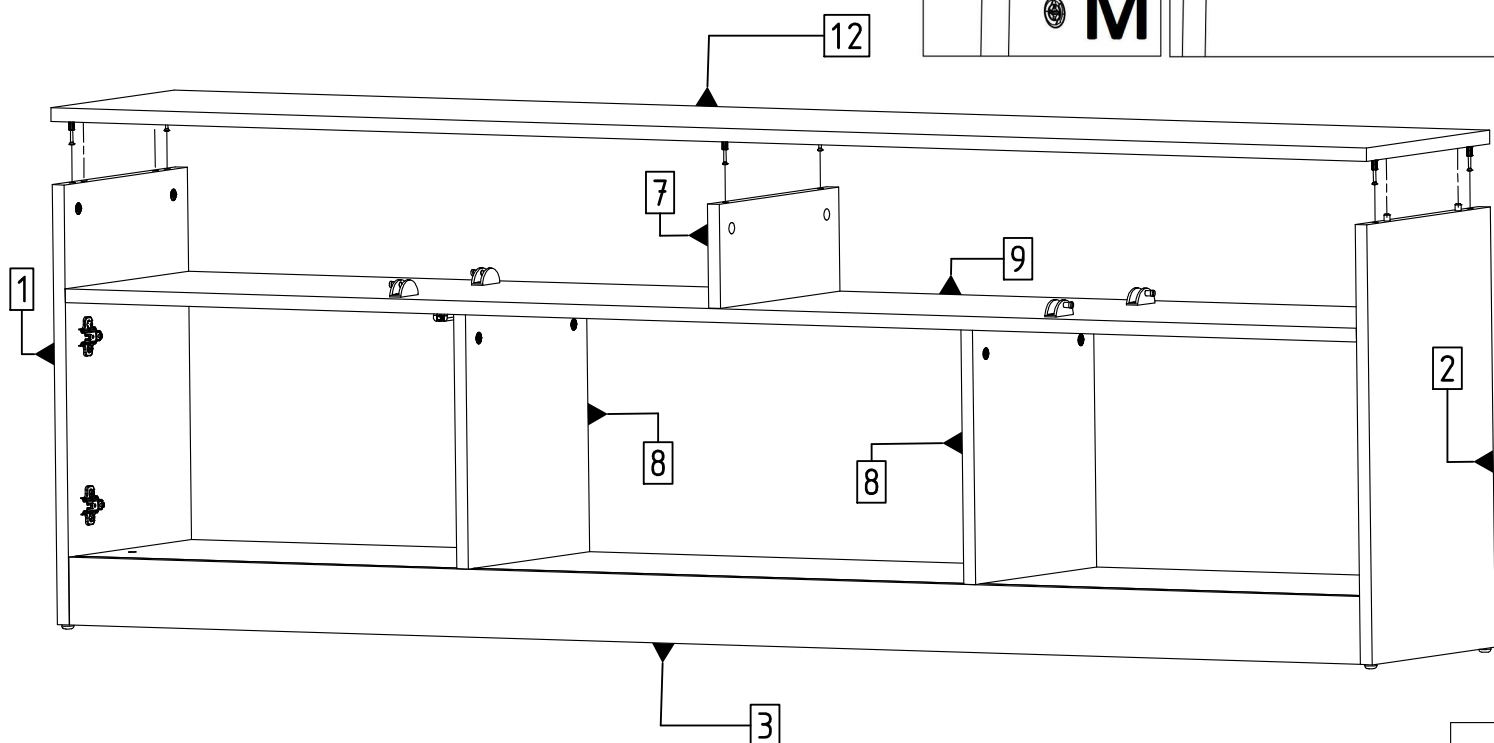
11.



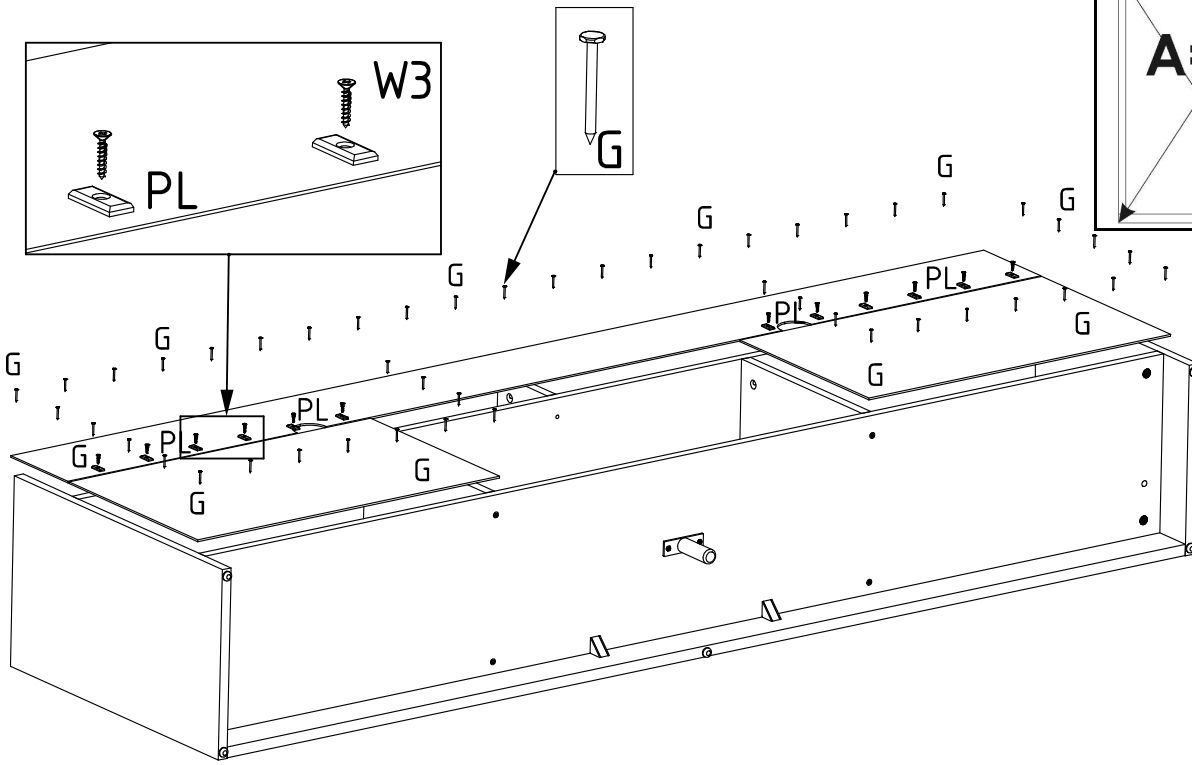
12.



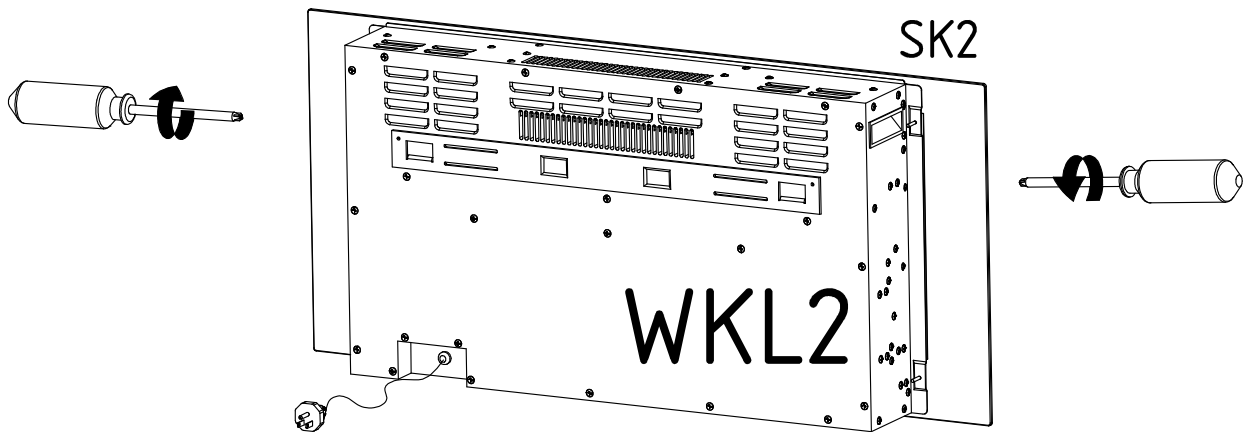
13.



14.

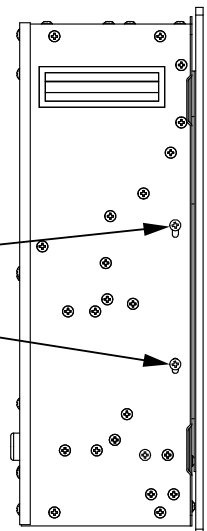
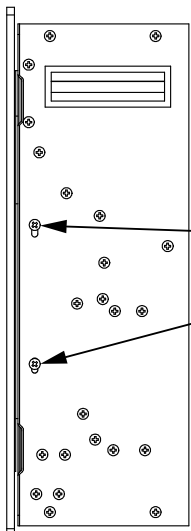


15.



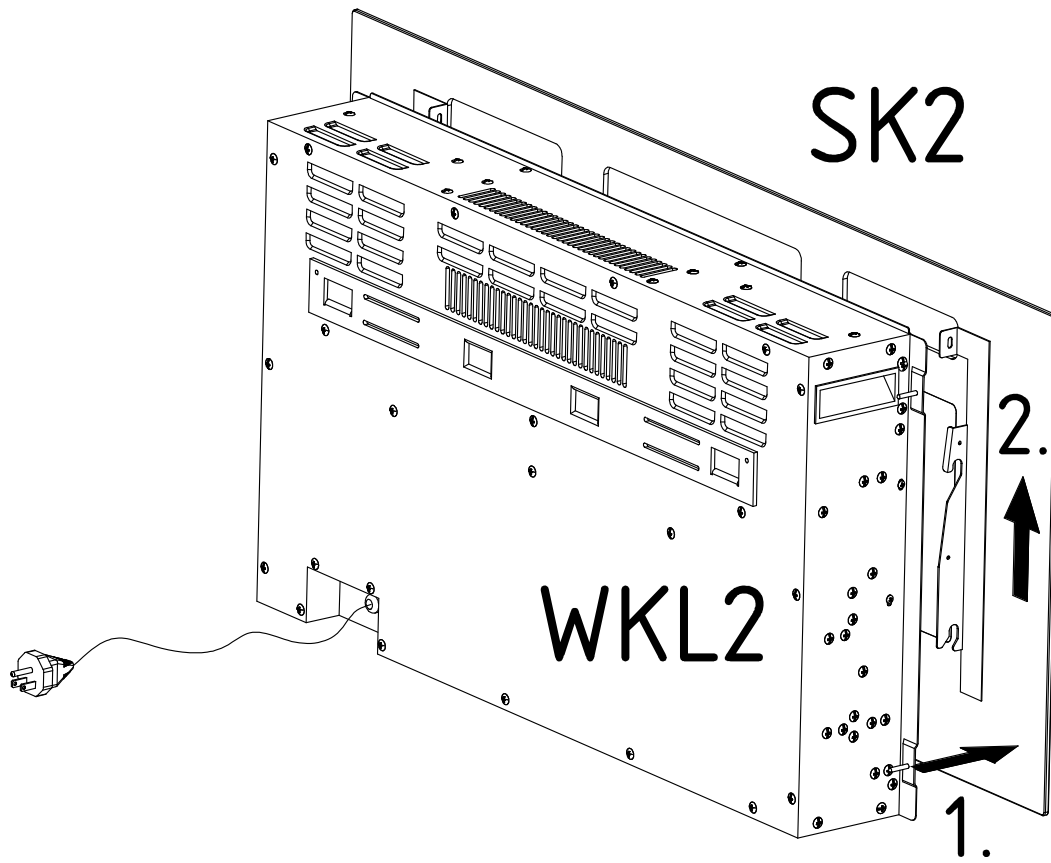
RIGHT SIDE

LEFT SIDE

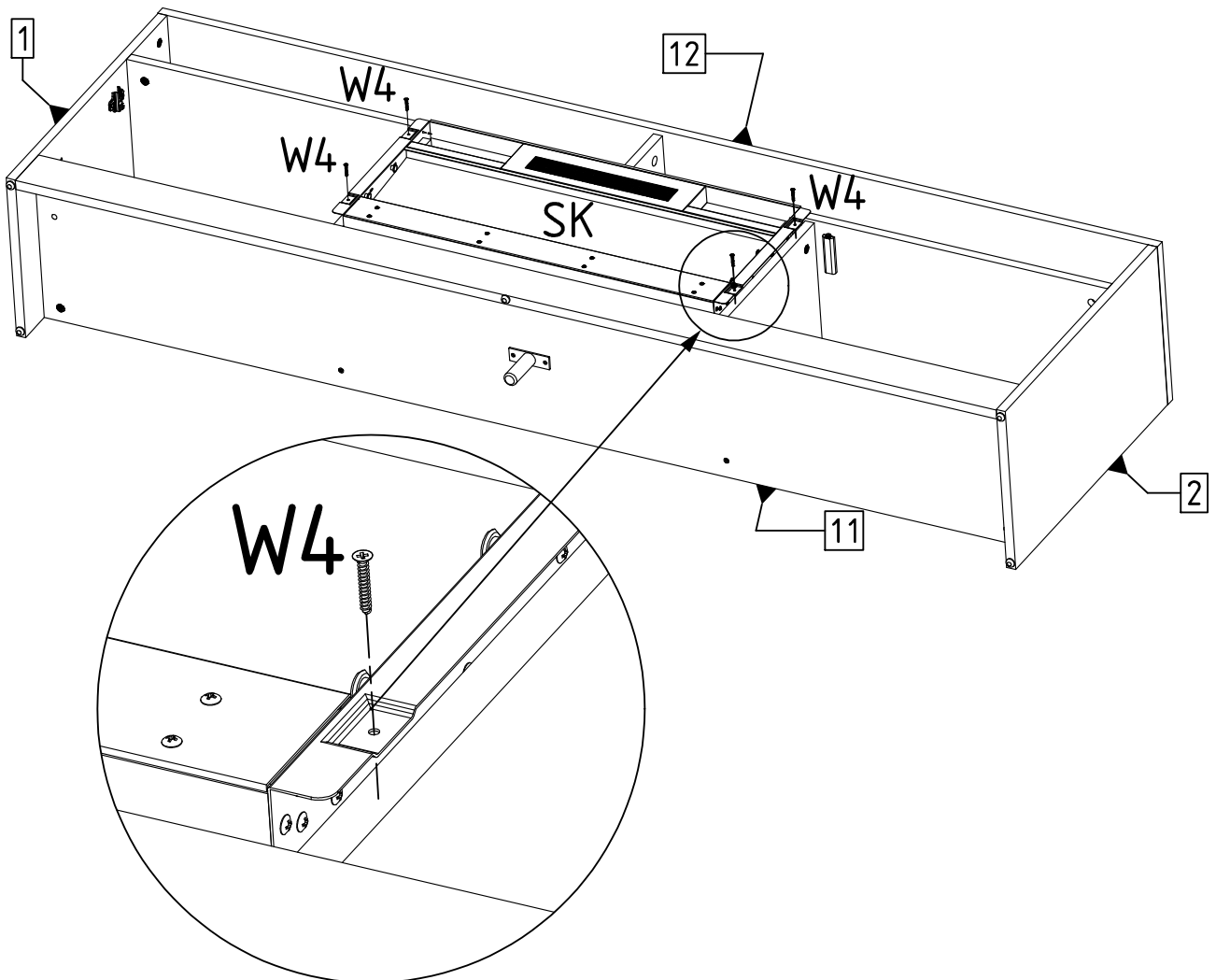


WK

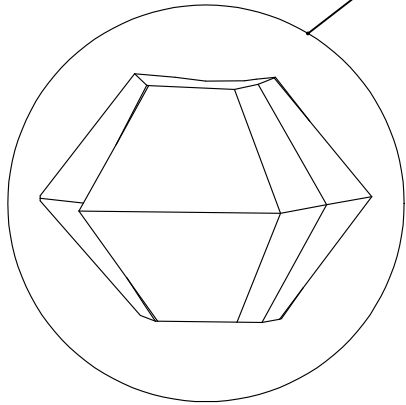
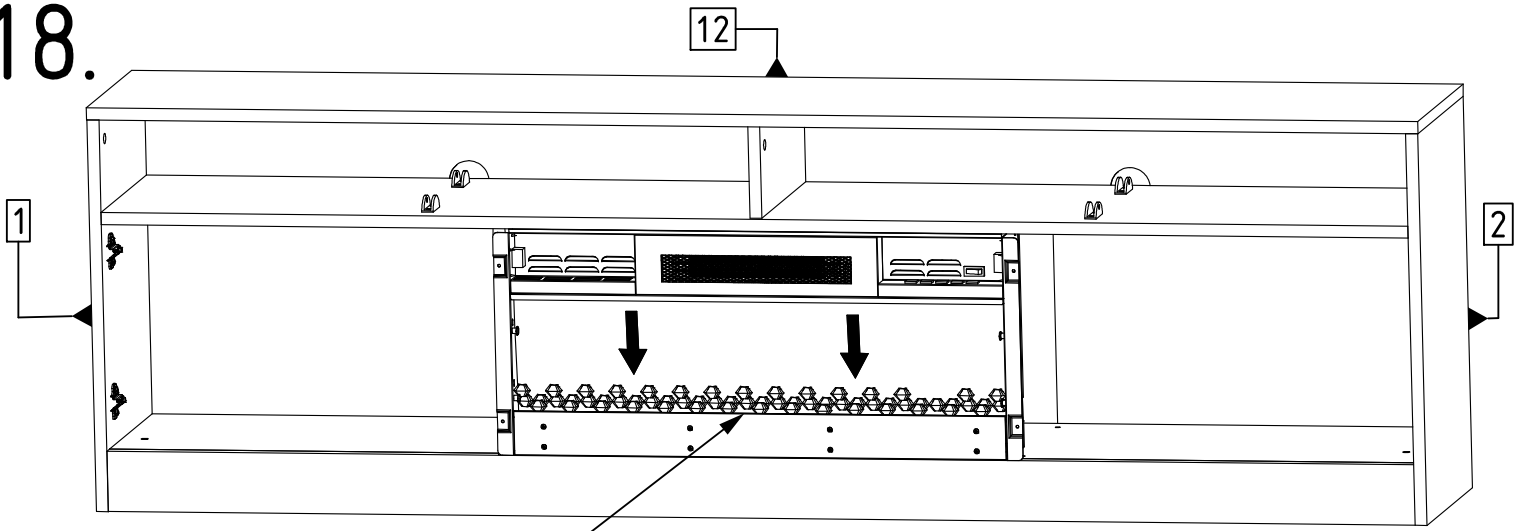
16.



17.

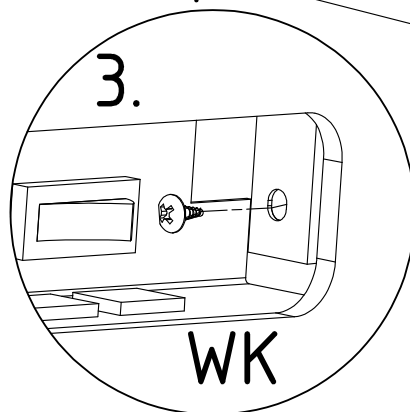
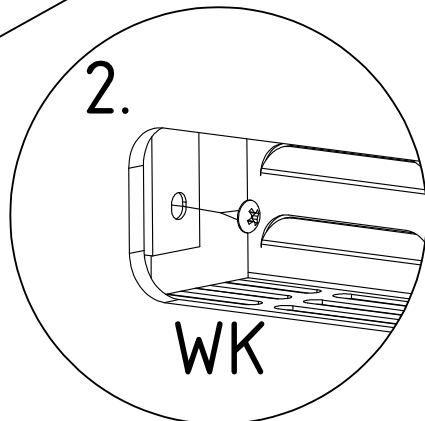
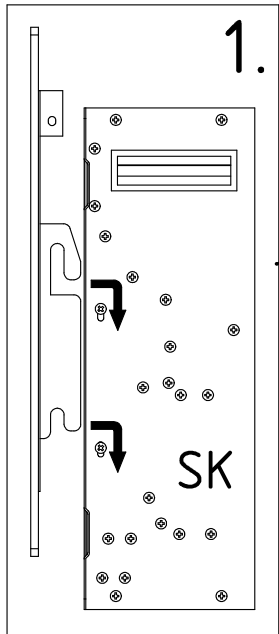
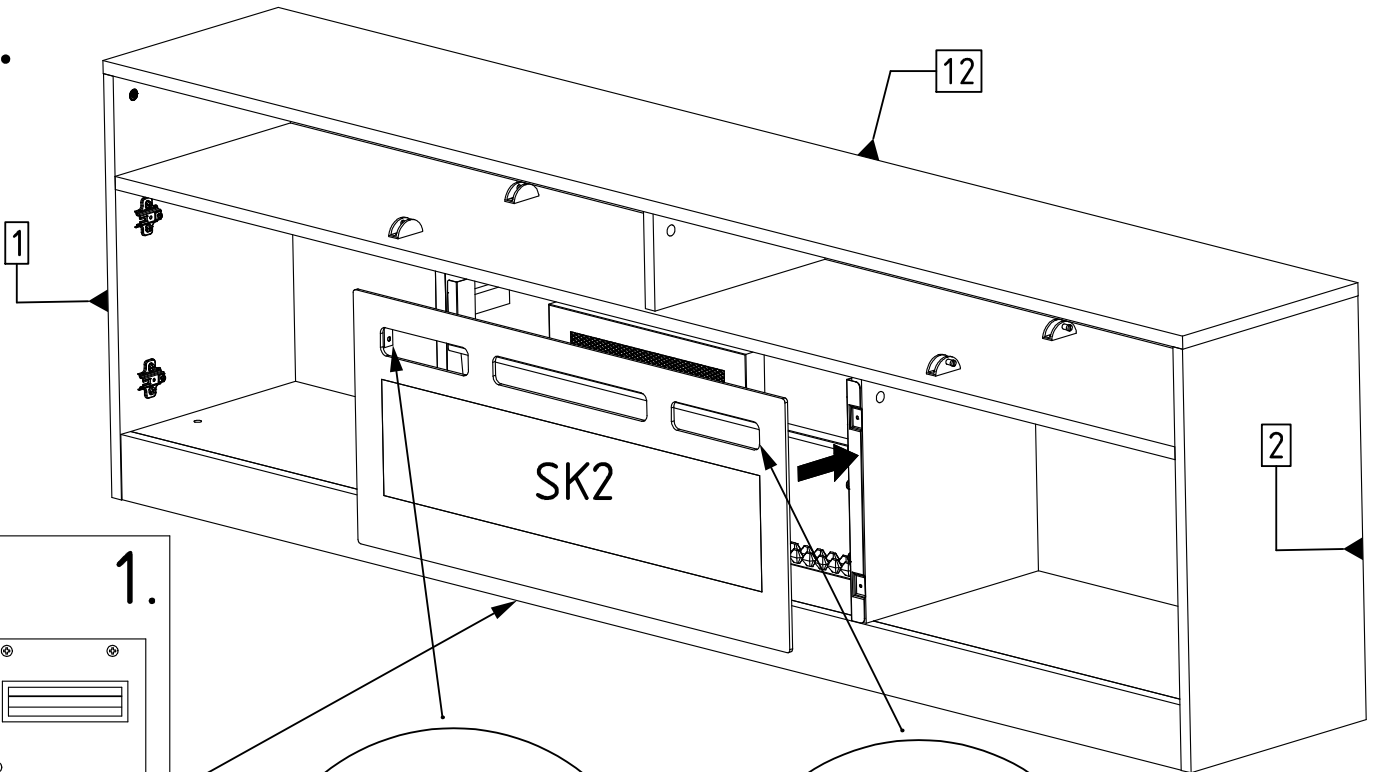


18.

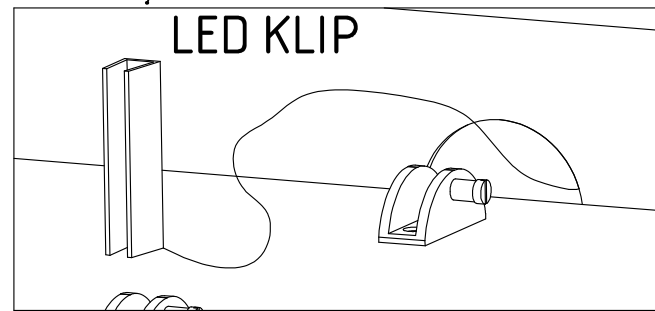
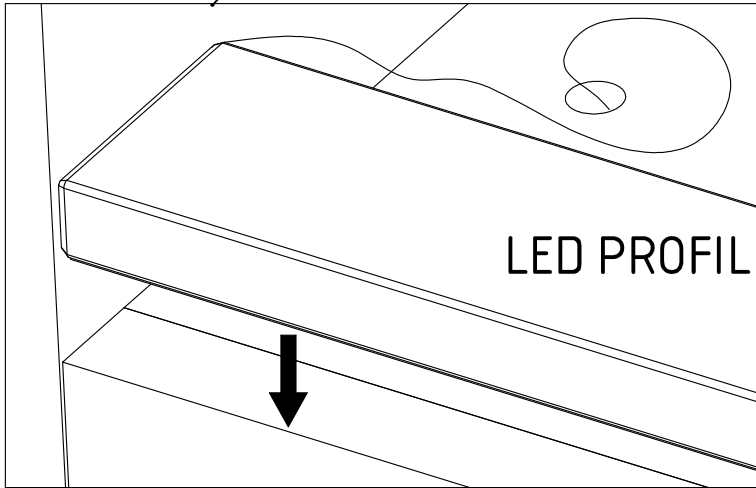
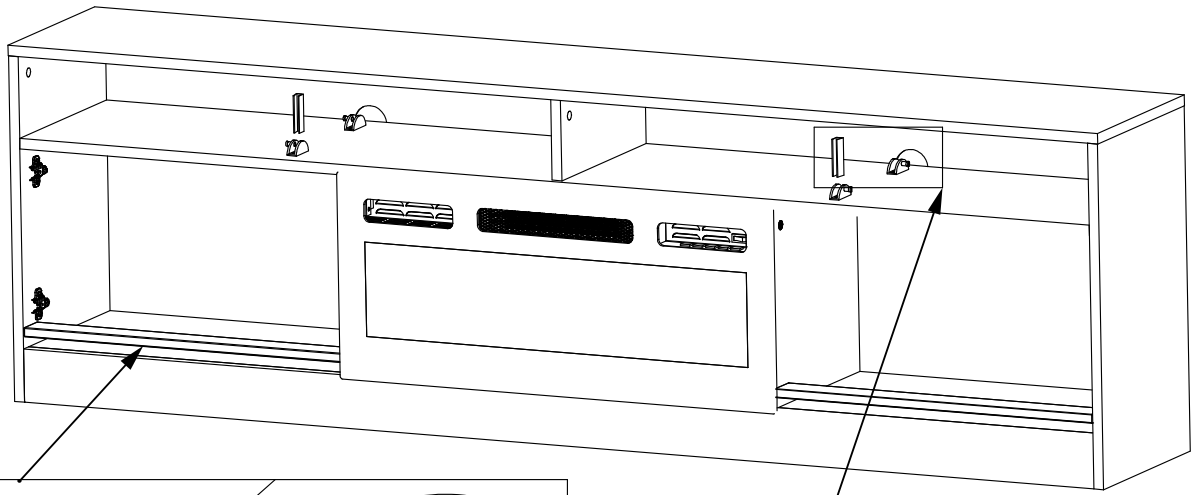


KRD

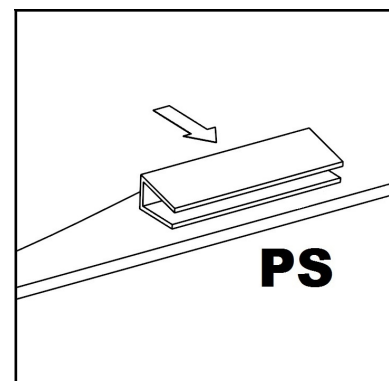
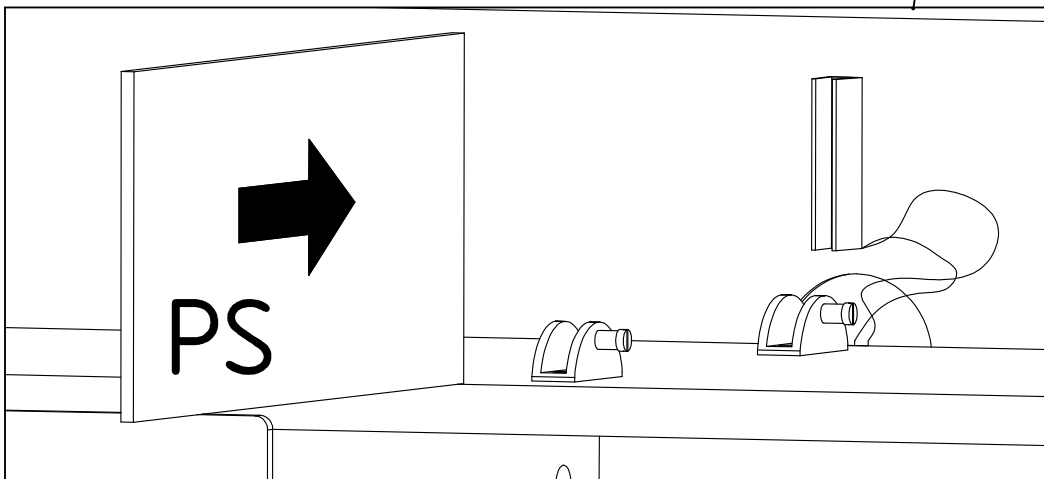
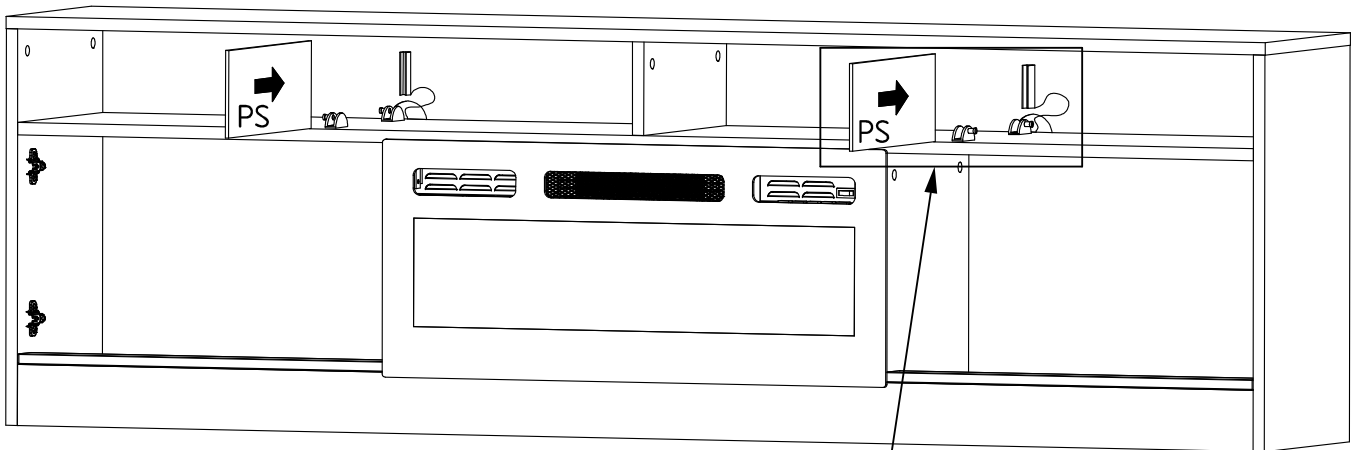
19.



20.

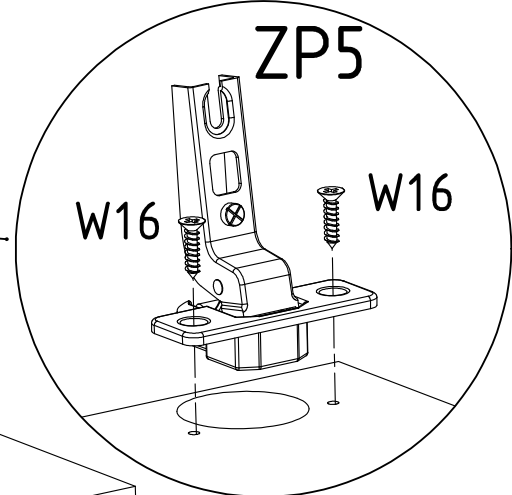
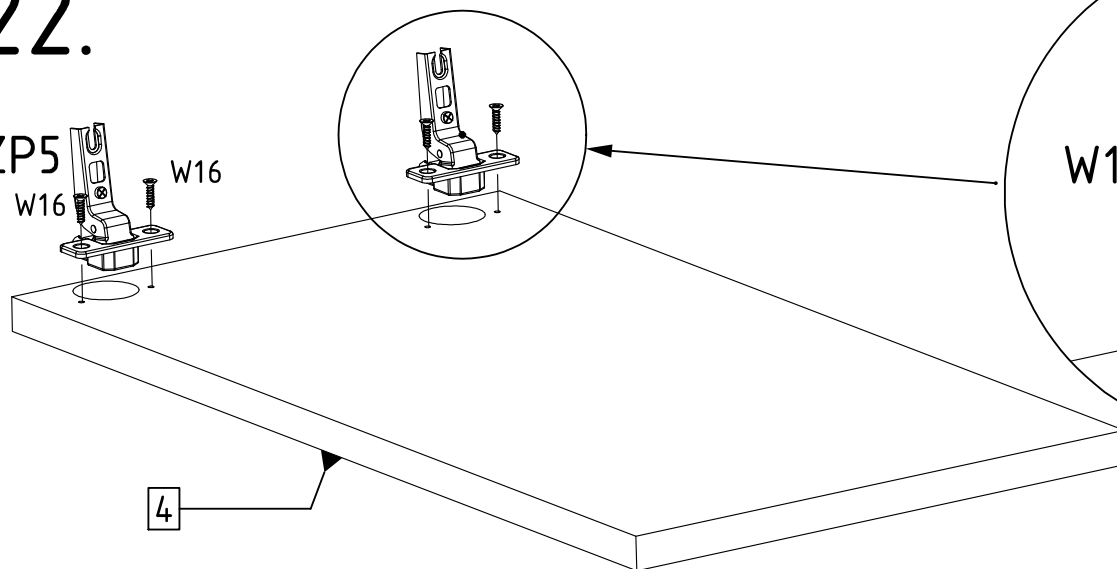


21.



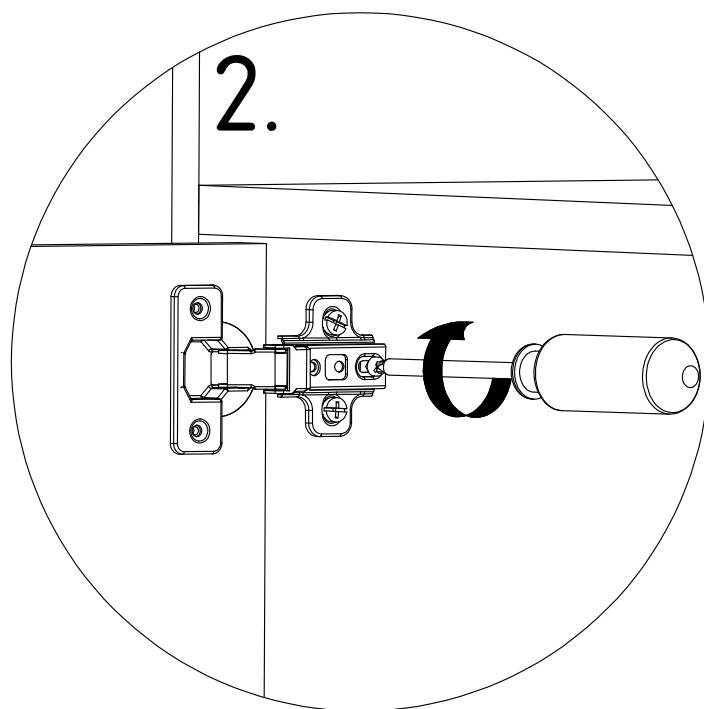
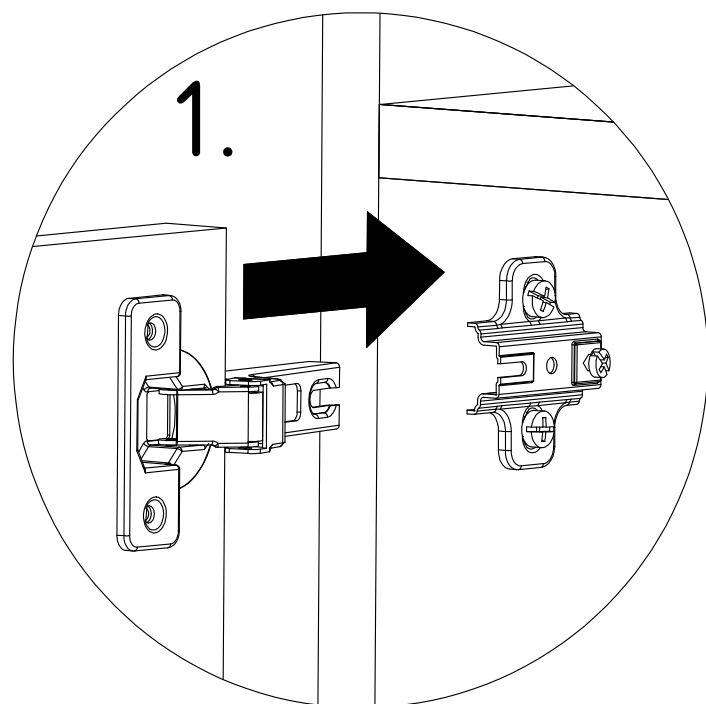
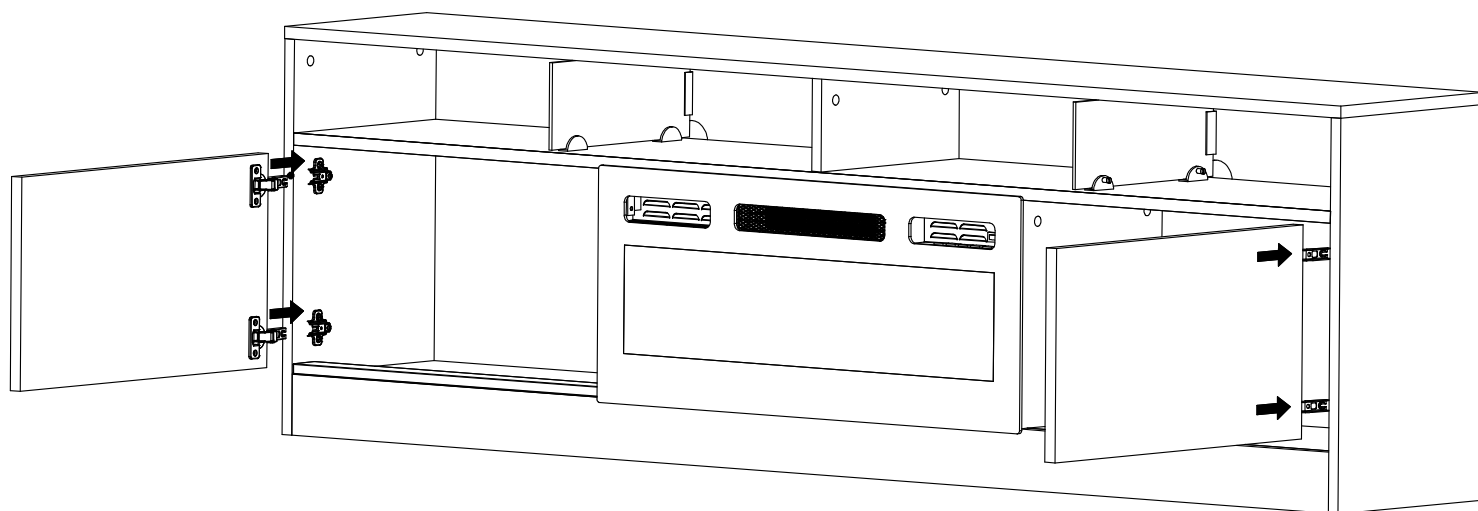
22.

ZP5
W16

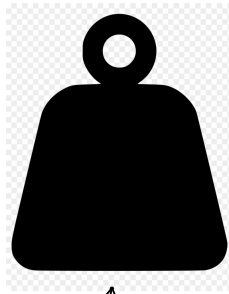


x2

23.



24.



max.
10kg

