

DISPARO

DISPARO_04

OP- 39 , 77

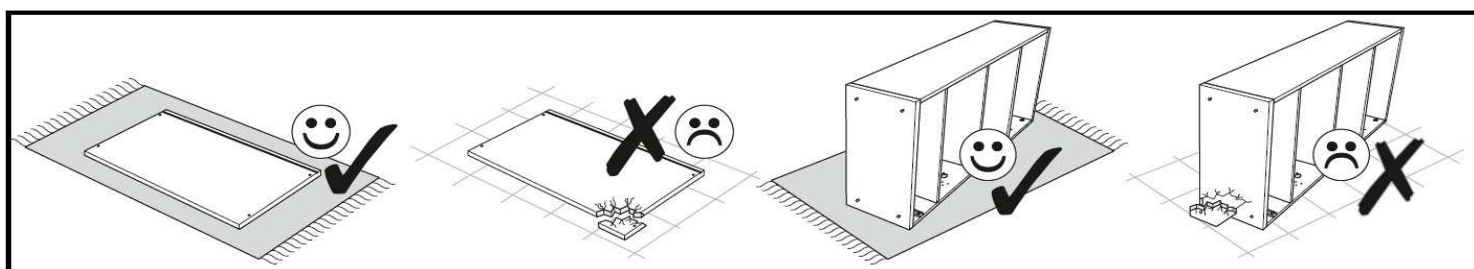
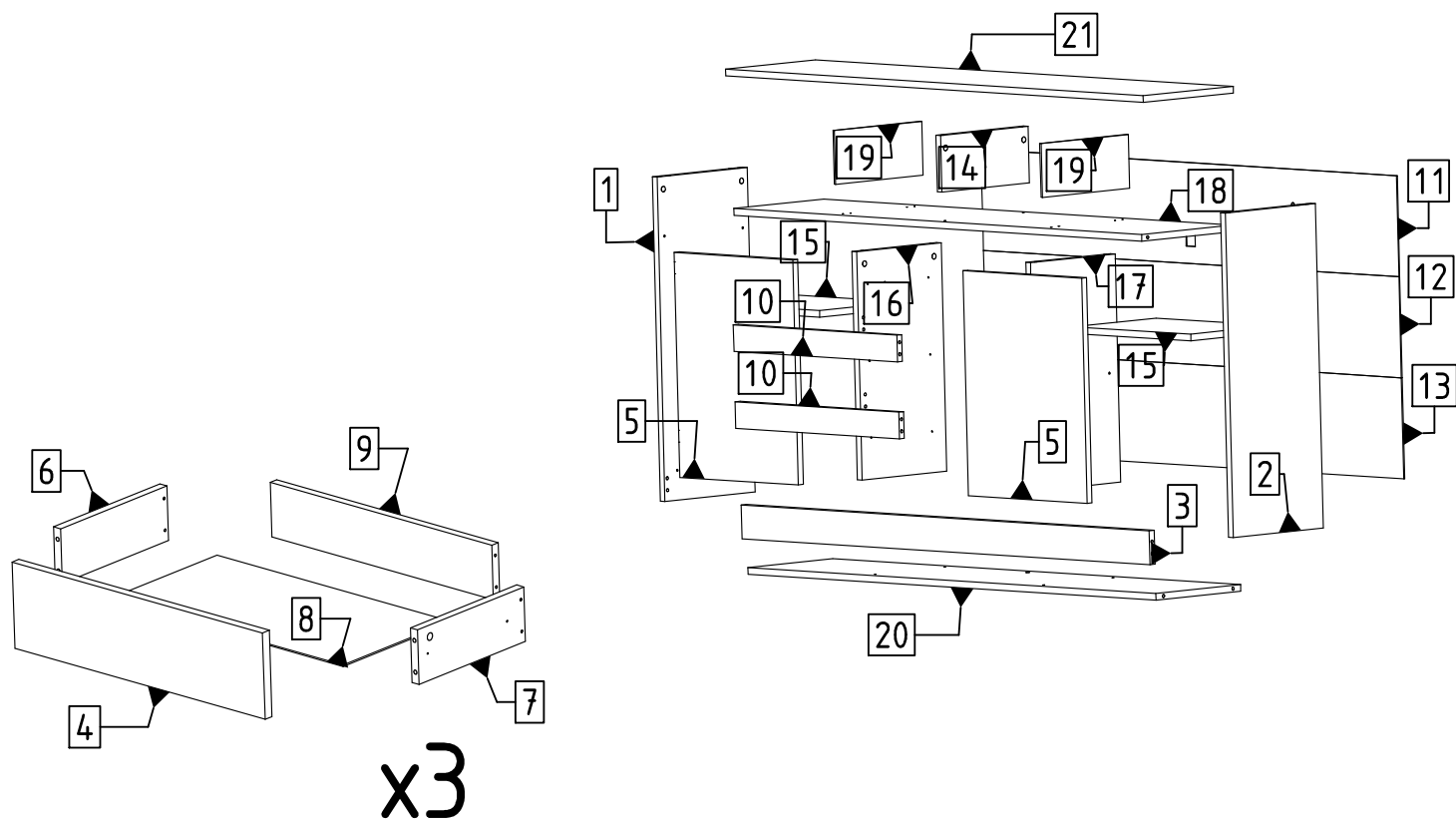
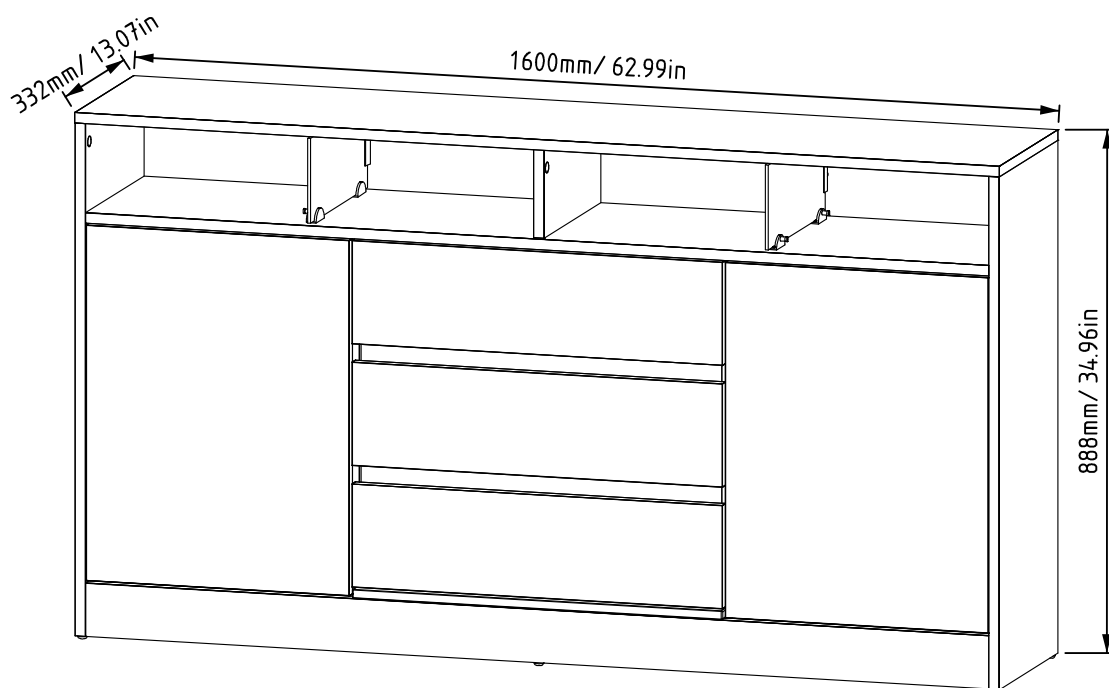
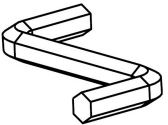
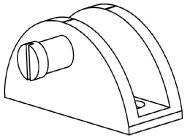
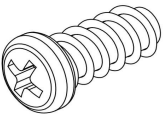
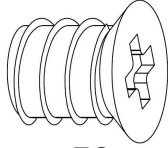
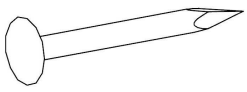
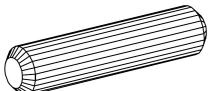
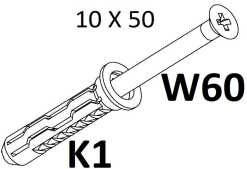
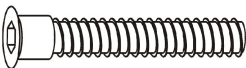
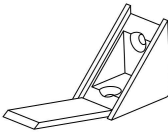
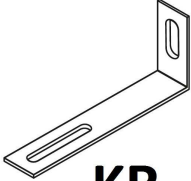


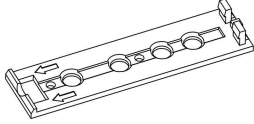
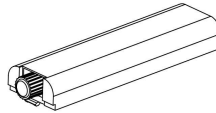
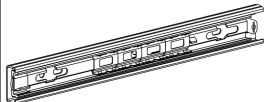
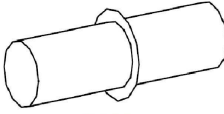

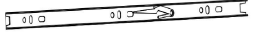
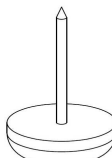
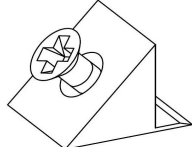
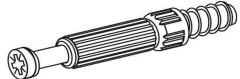
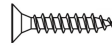
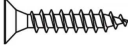
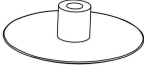
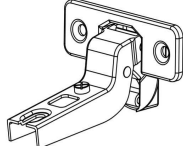
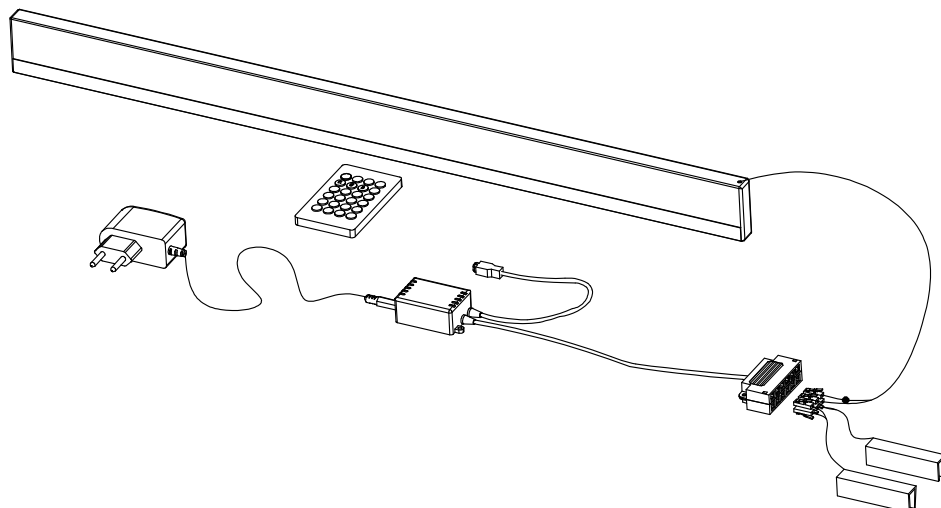


Table accessories

DISPARO_04

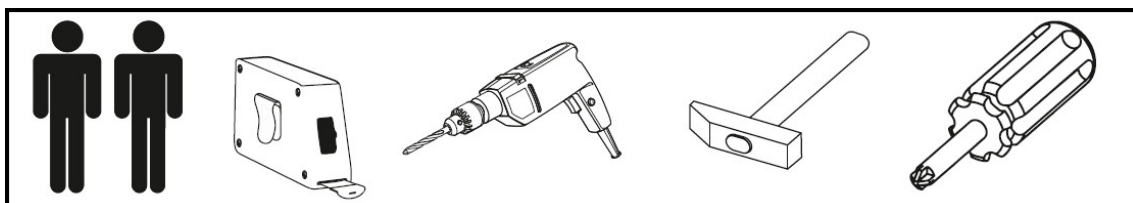
 A1 8 x 30	 BS	6,3 X 13  E13	6,3x9mm  E3	 G
 K 15 x 12	 K1 10 X 50	 KN 6,3 X 50	 KP	 KR
 M	 N8	 OB	 OB2	 L300 PKR
 PP	 PRE	 PWK L300	 SL	 ST
 T 6 x 34 mm	 W16 4 x 16	 W3 3 x 16mm	 Z	 ZP5

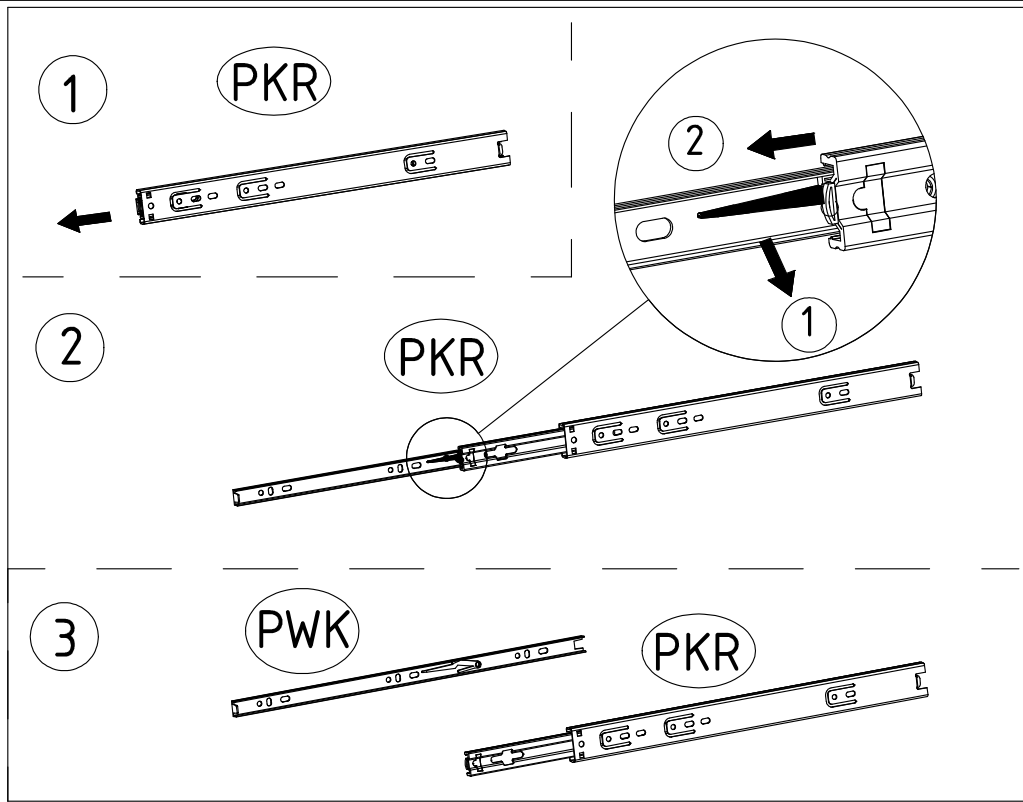
LED ACCESSORIES



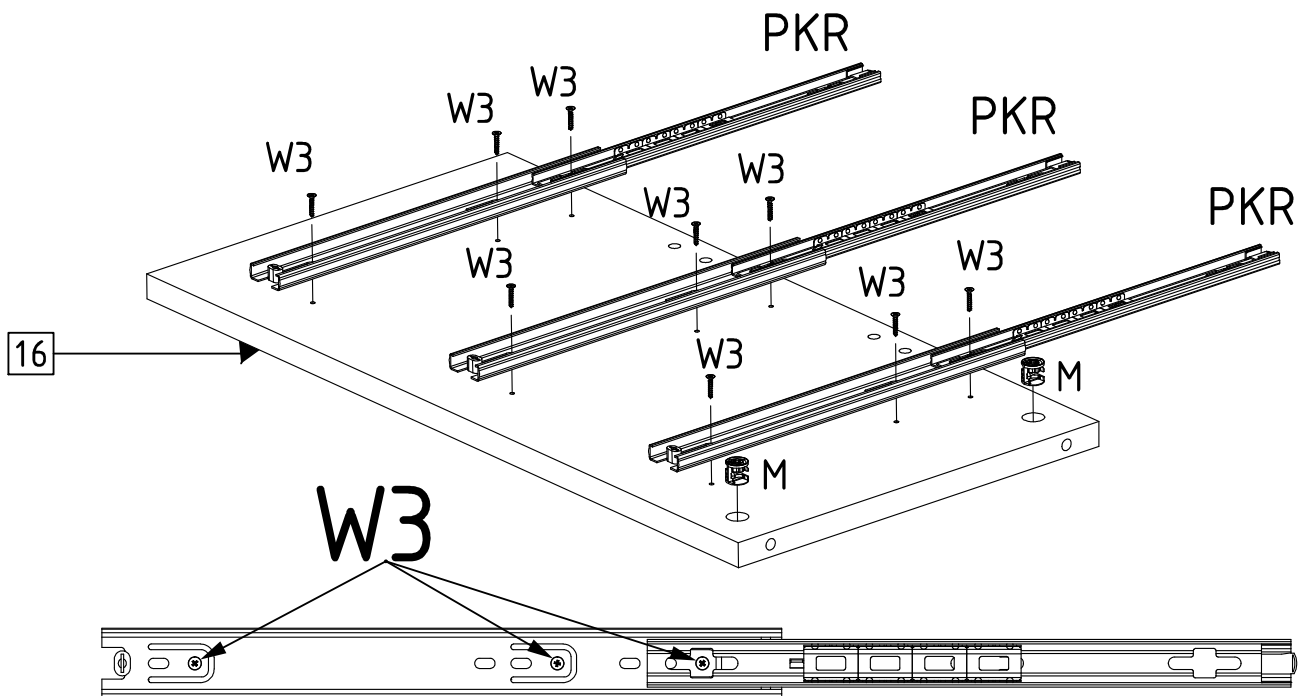
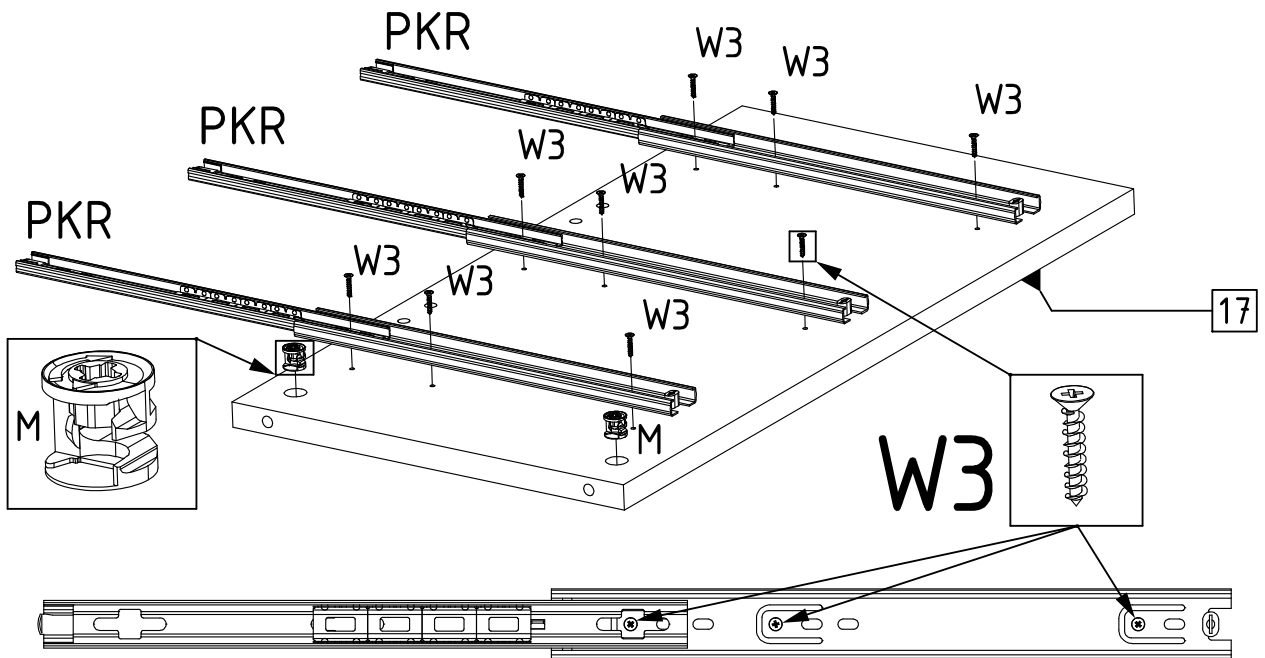
DISPARO_04

Elements				Accessories	
SYMBOL	LENGTH	WIDTH	QUANTITY	SYMBOL	QUANTITY
BL[1]	34.02	13.07	1	A1	1
BP[2]	34.02	13.07	1	BS	4
CD[3]	61.54	3.54	1	E13	2
FTS[4]	25.24	6.85	3	E3	4
FT[5]	23.58	17.91	2	G	79
KBL[6]	11.81	4.33	3	K	22
KBP[7]	11.81	4.33	3	K1	1
KD[8]	23.58	11.97	3	KN	18
KT[9]	22.32	4.33	3	KP	2
LC[10]	24.69	2.8	2	KR	1
PC1[11]	62.68	10.59	1	M	24
PC2[12]	62.68	10.59	1	N8	1
PC3[13]	62.68	10.59	1	OB	2
PD[14]	12.68	5.91	1	OB2	2
PK[15]	17.64	11.93	2	PKR_L300	6
PPIO1[16]	23.94	12.28	1	PP	8
PPIO2[17]	23.94	12.28	1	PRE	4
PPO[18]	61.54	13.07	1	PWK_L300	6
PS[19]	12.68	5.63	2	SL	5
WD[20]	61.54	12.28	1	ST	9
WG[21]	62.99	13.07	1	T	24
				W16	22
				W3	30
				W60	1
				Z	24
				ZP5	4

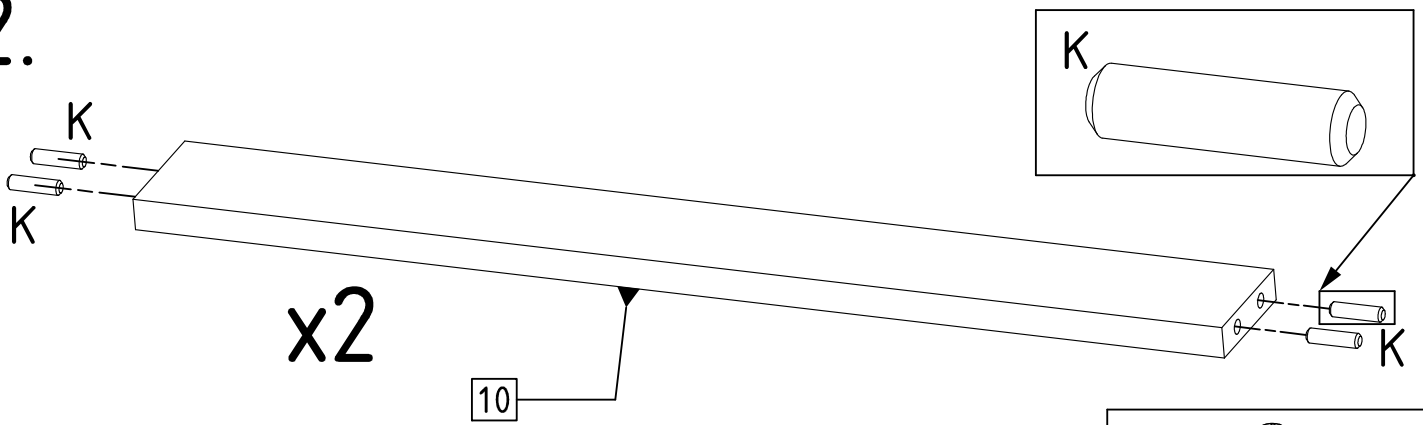




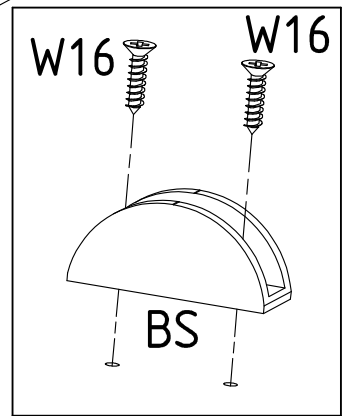
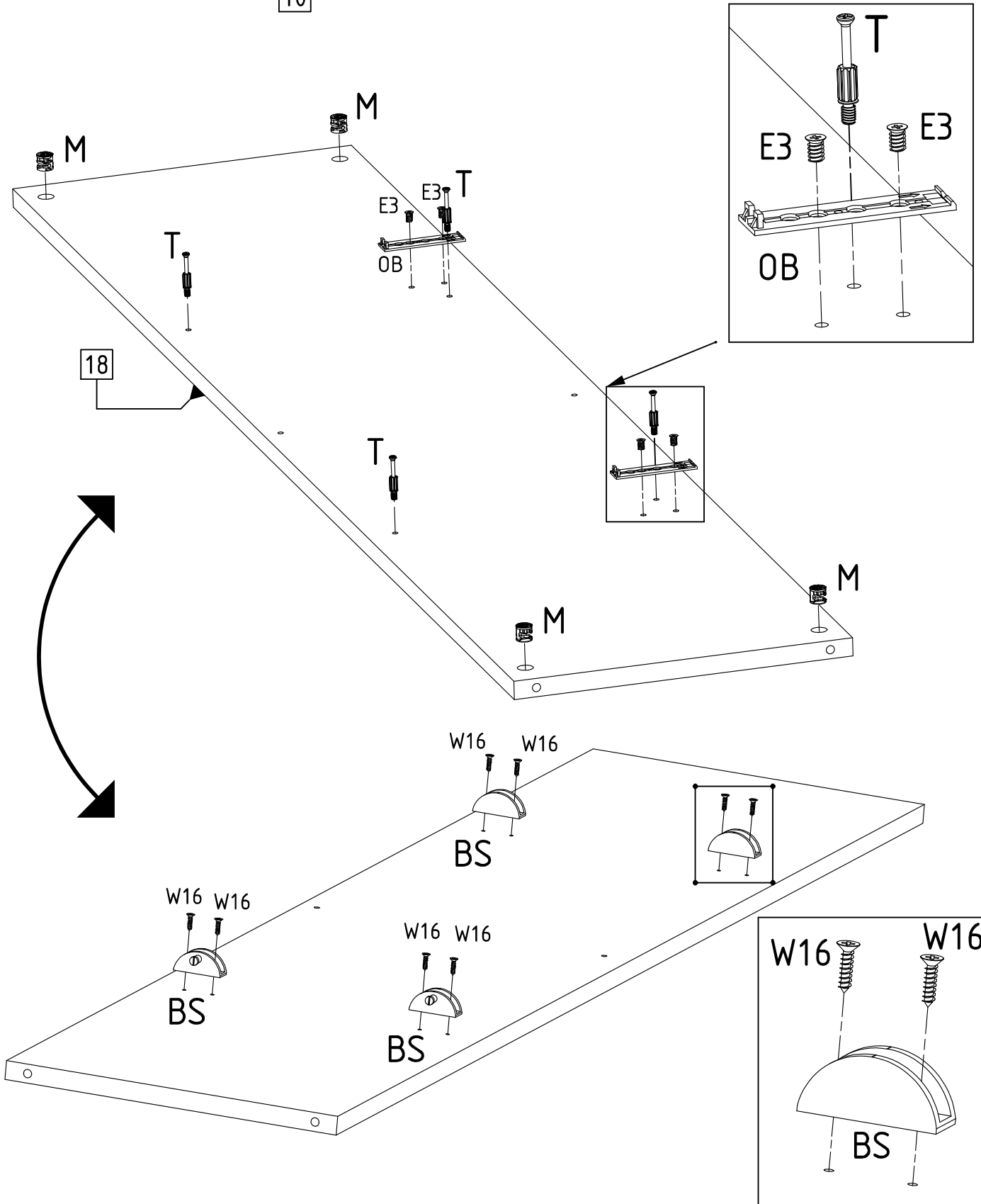
1.



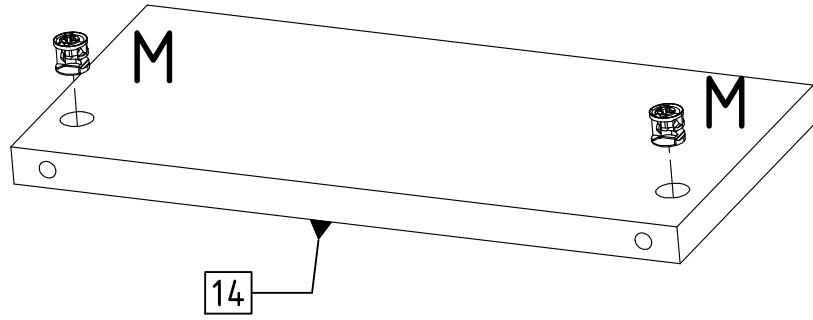
2.



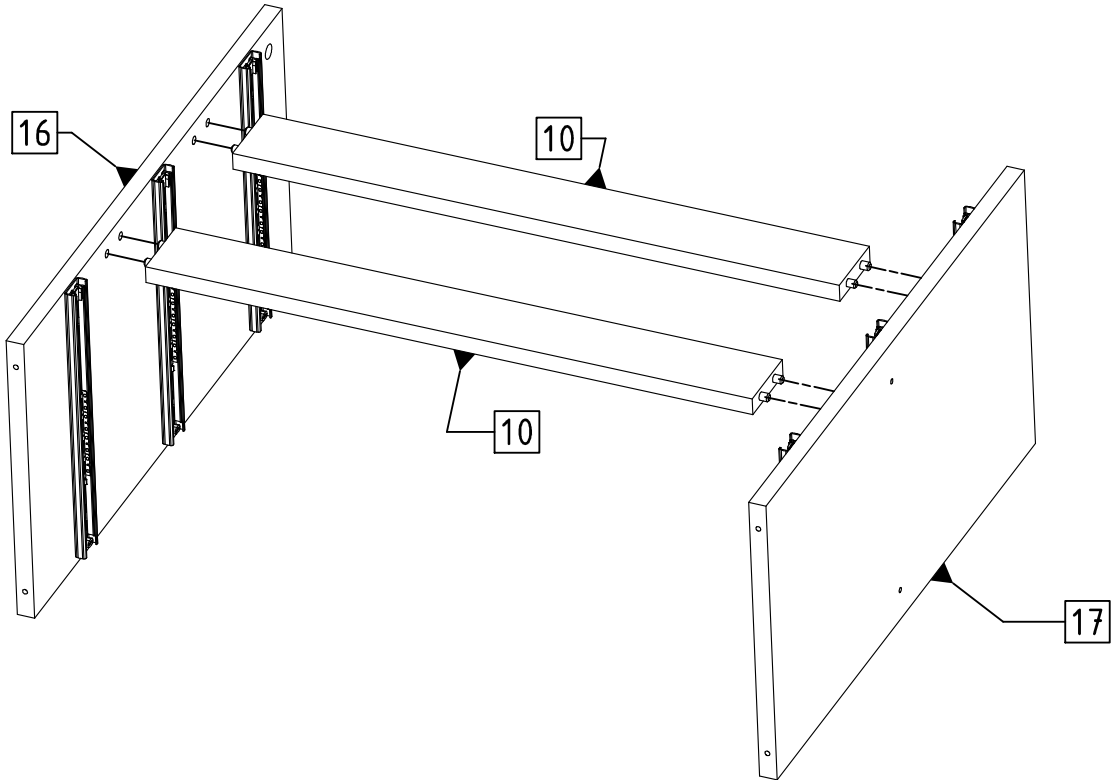
3.



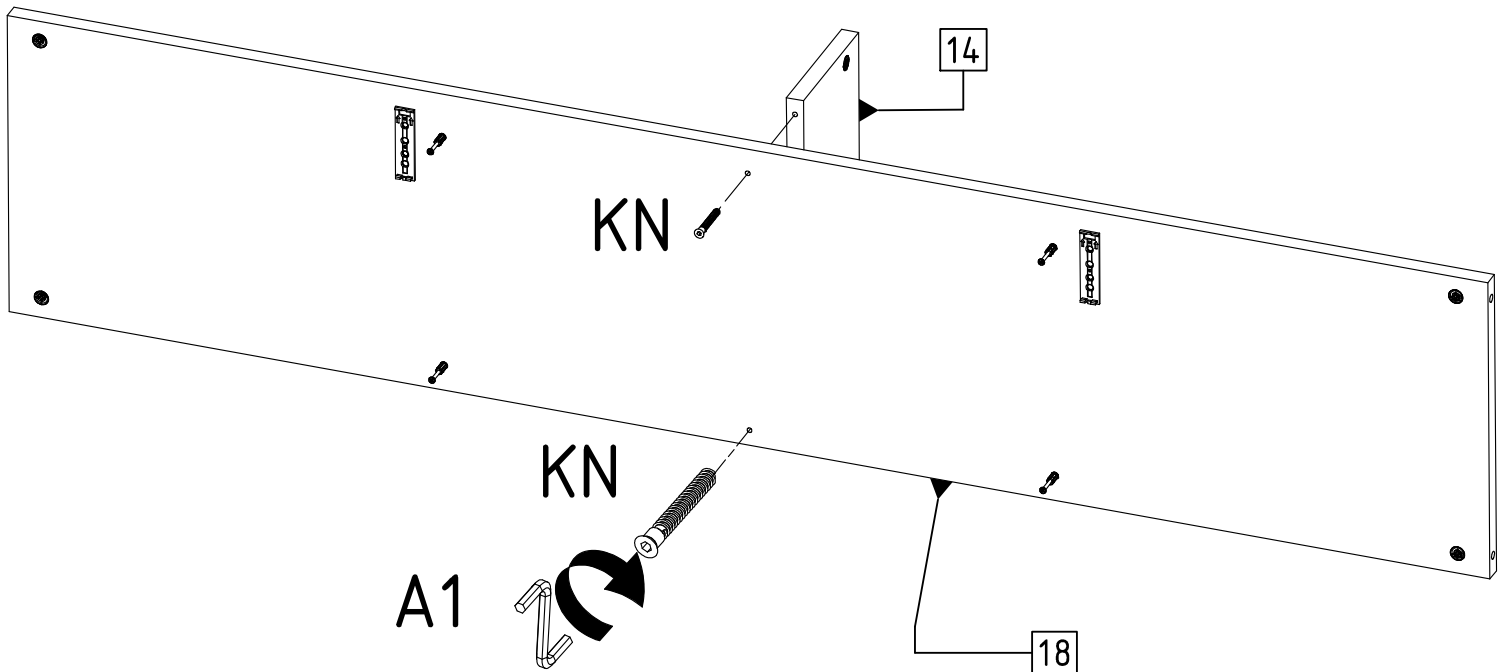
4.



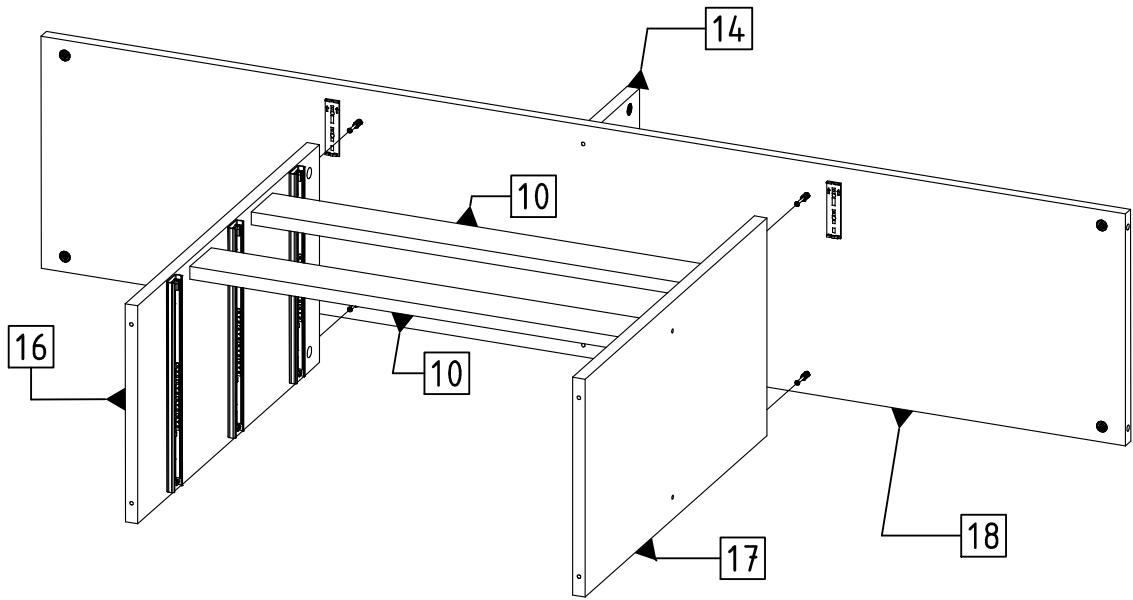
5.



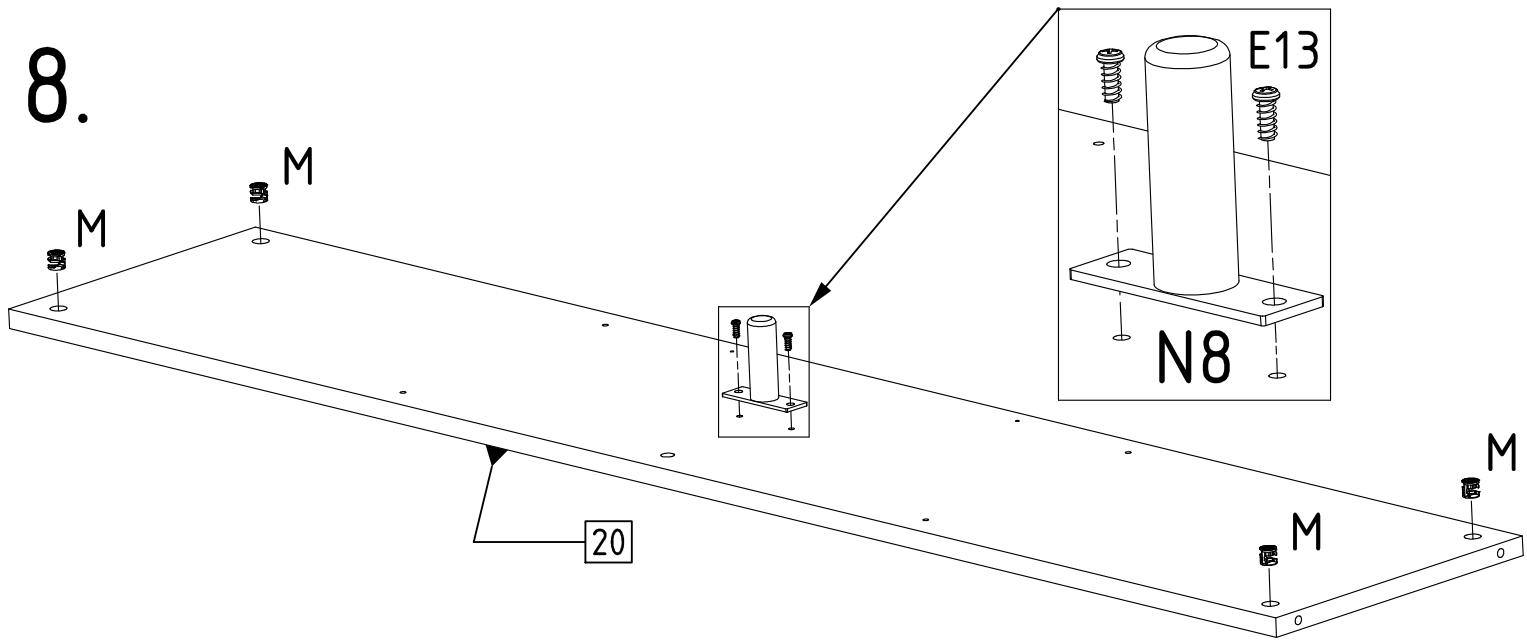
6.



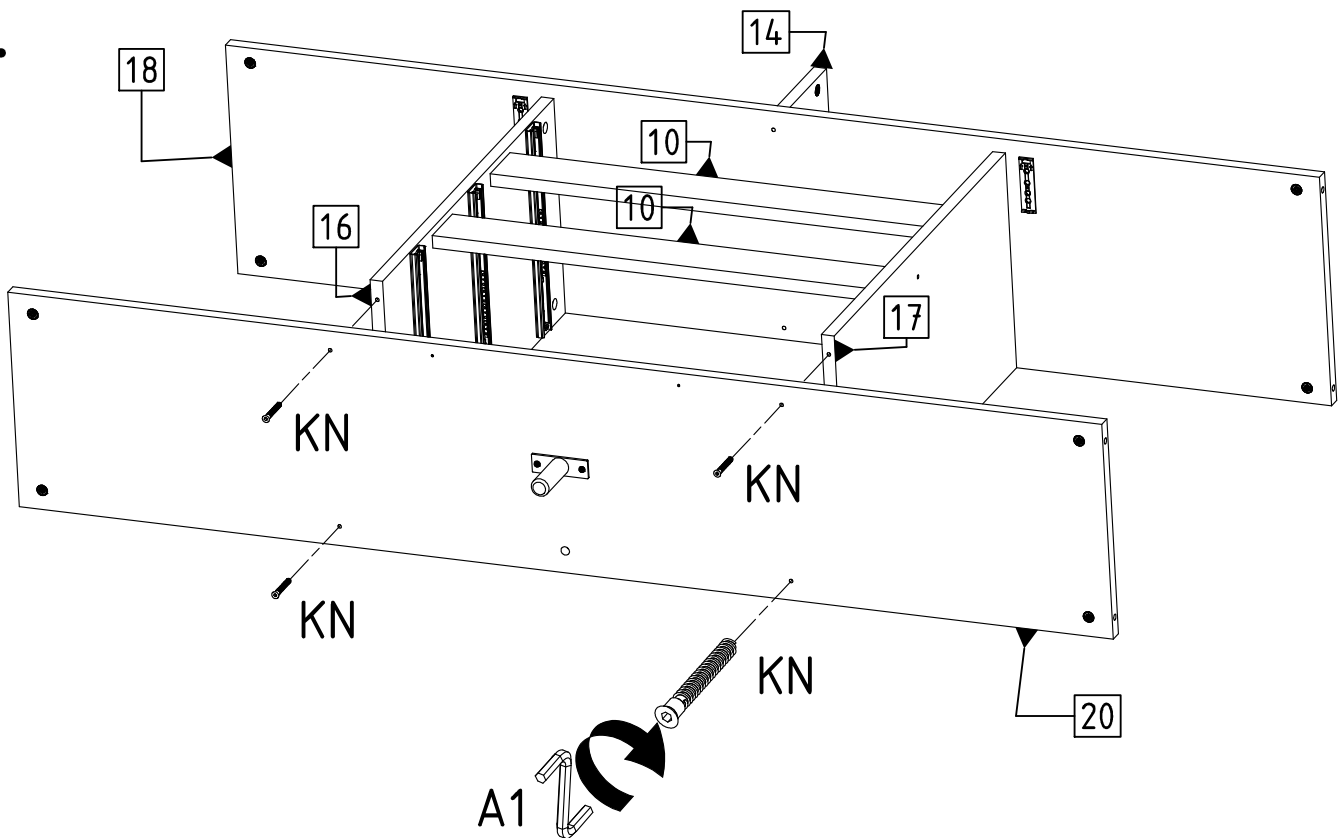
7.



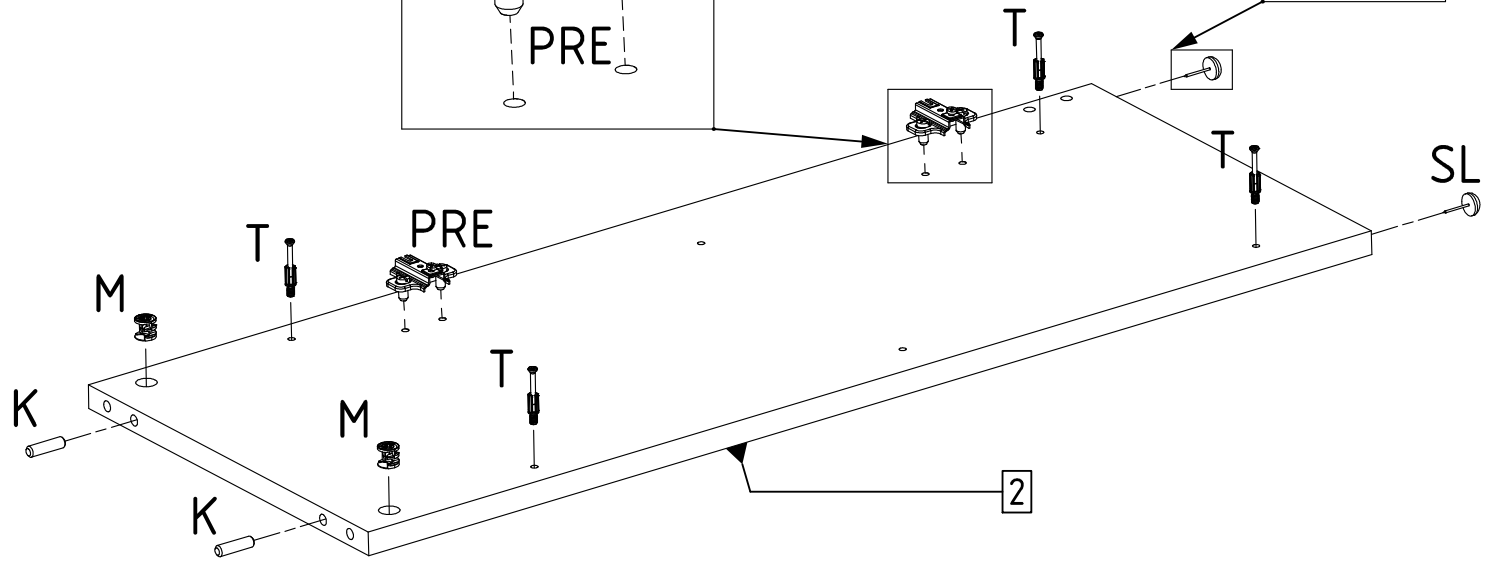
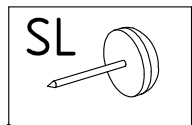
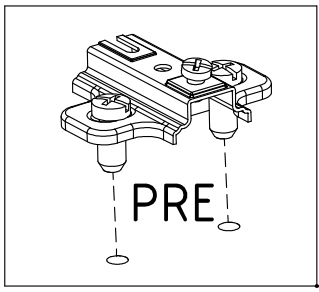
8.



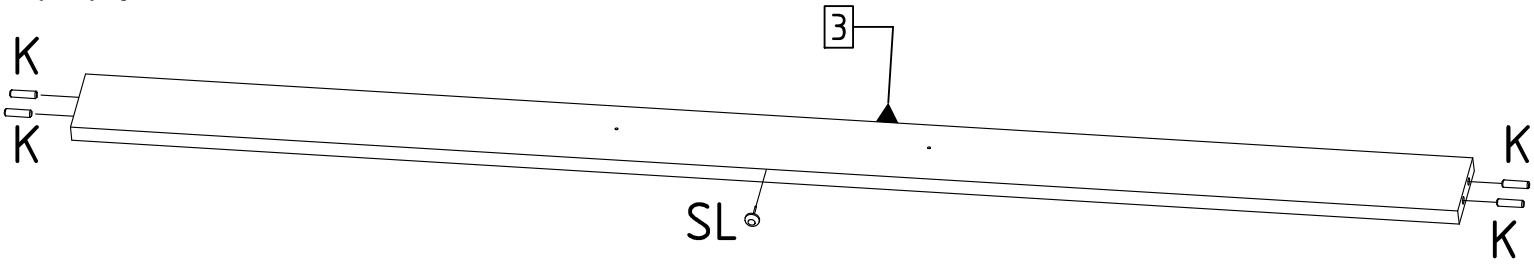
9.



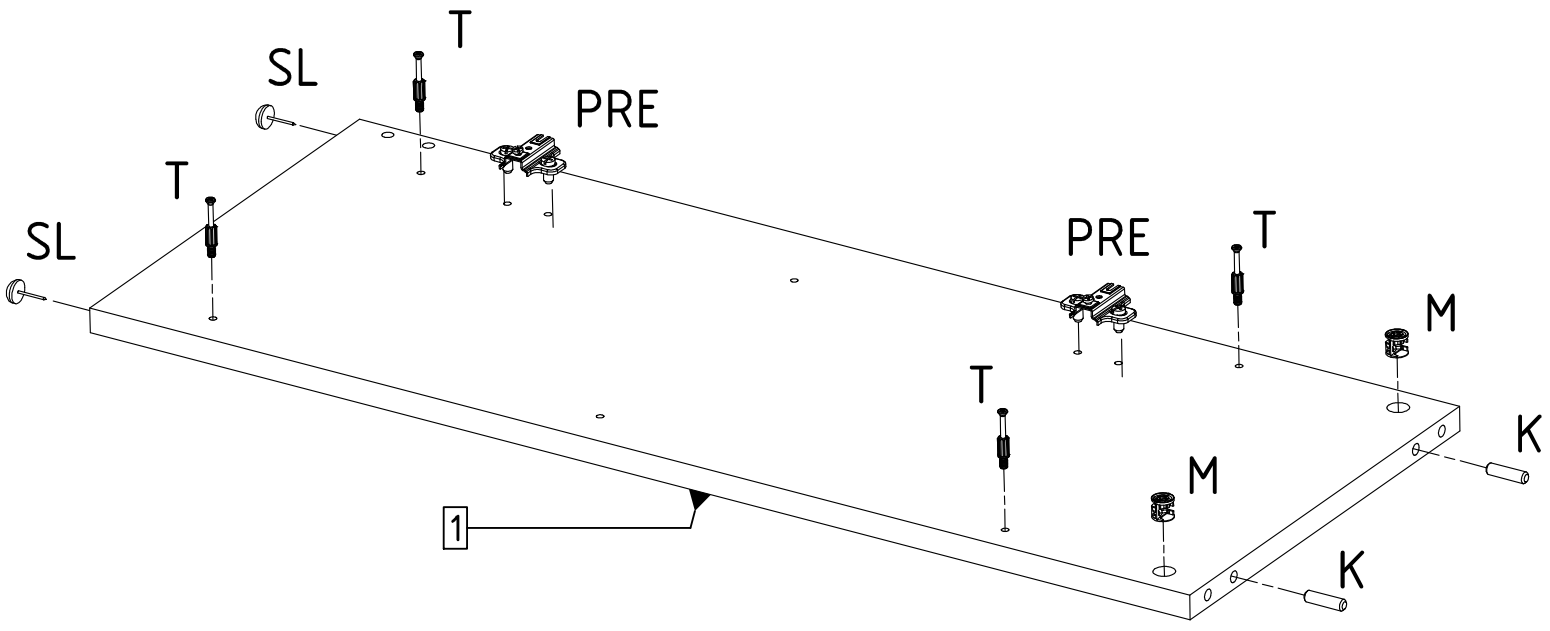
10.



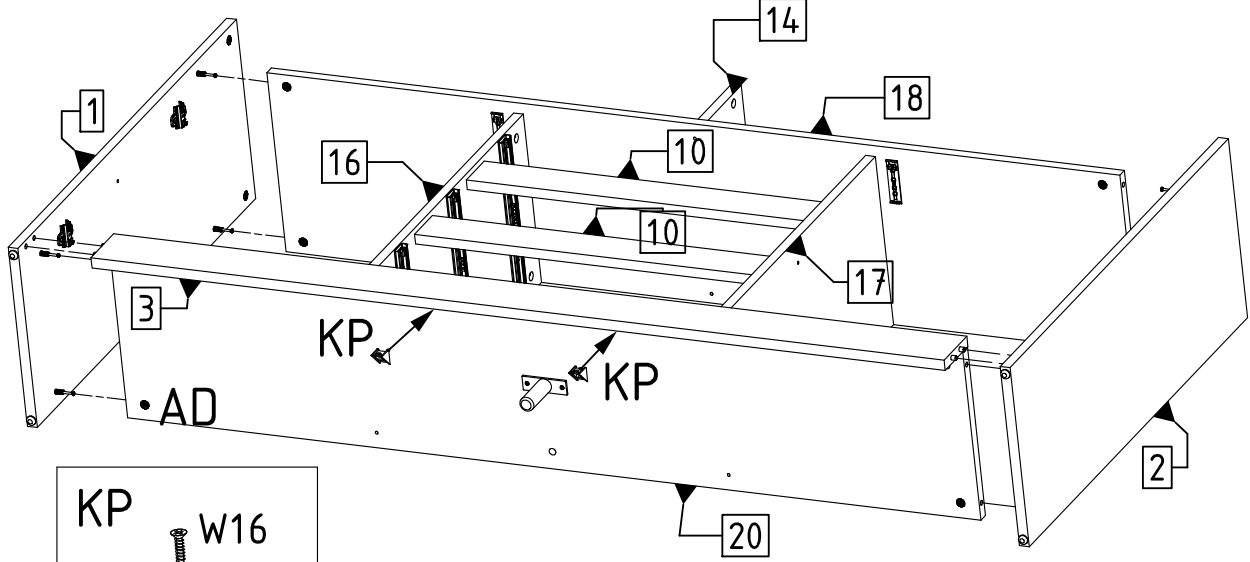
11.



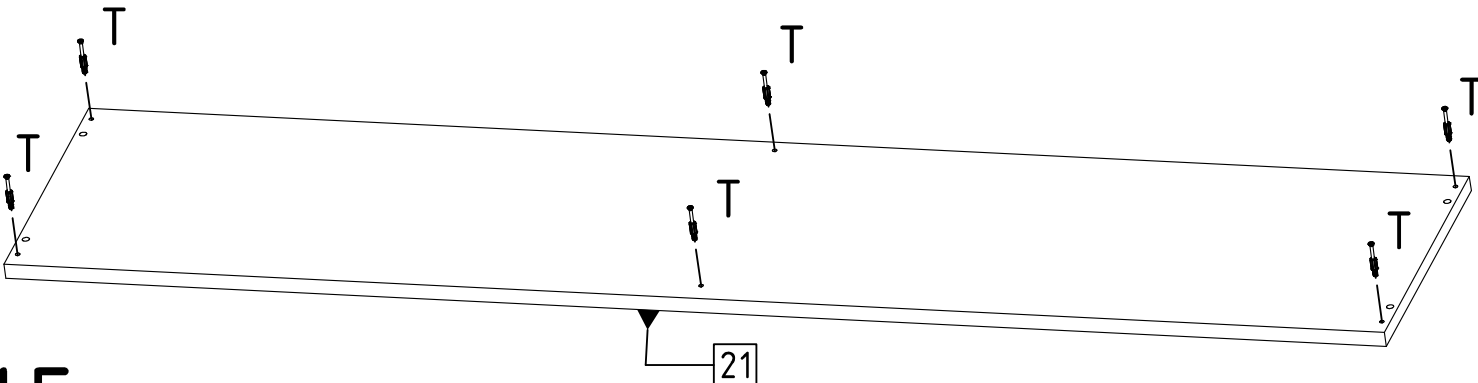
12.



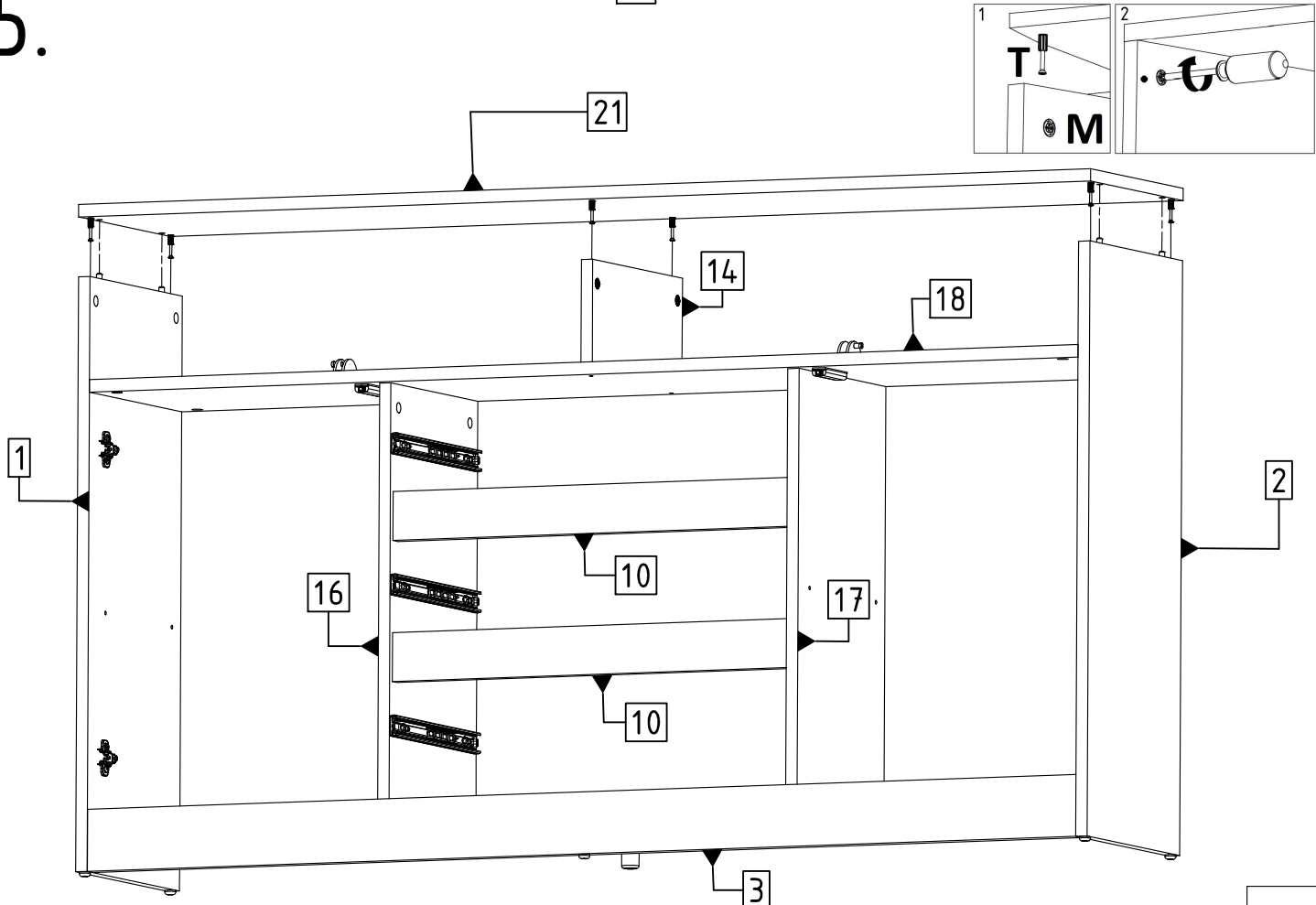
13.



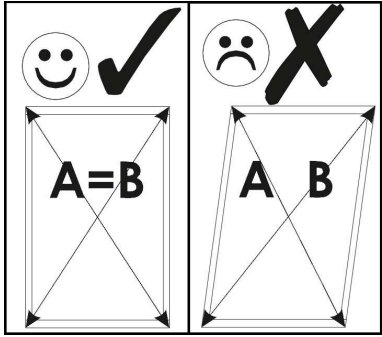
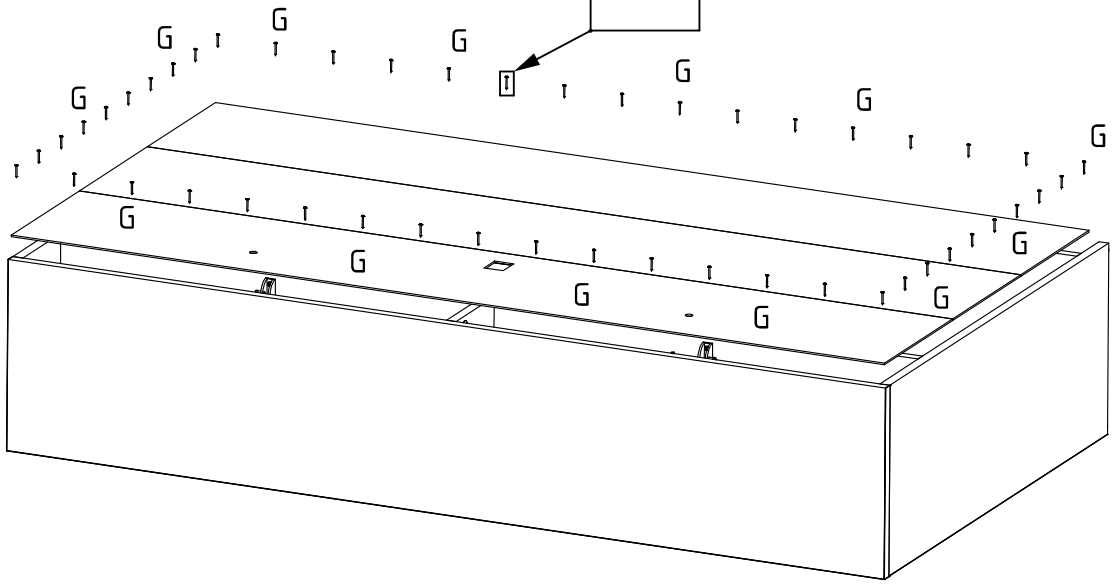
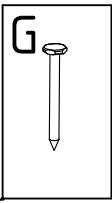
14.



15.

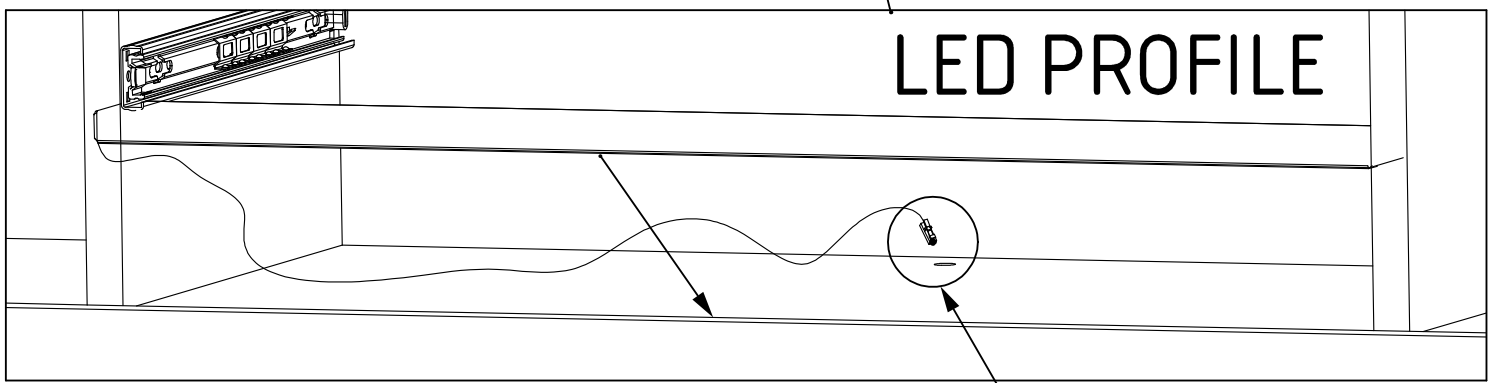
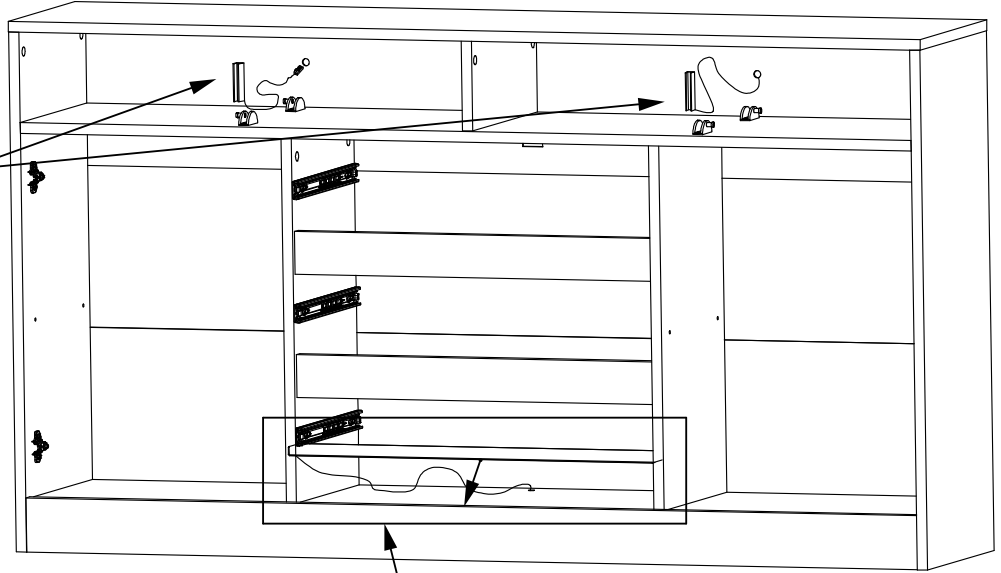
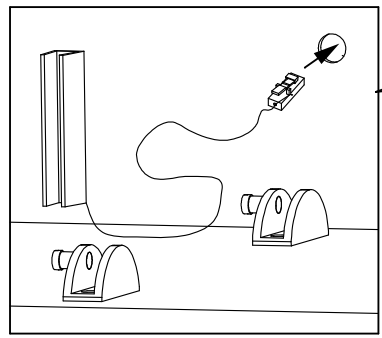


16.

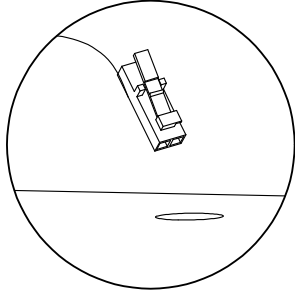


17.

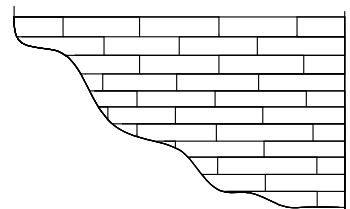
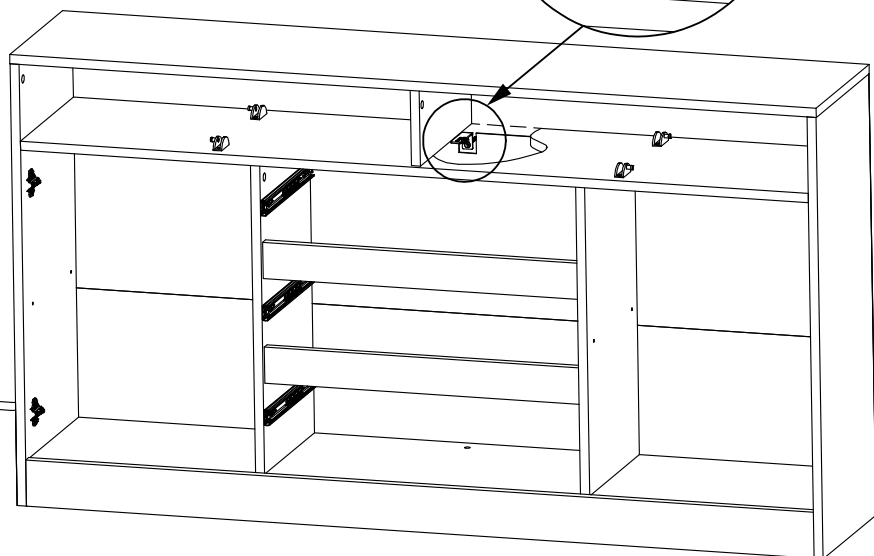
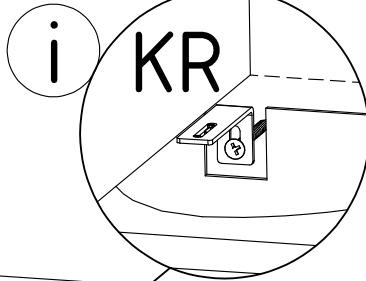
LED CLIP



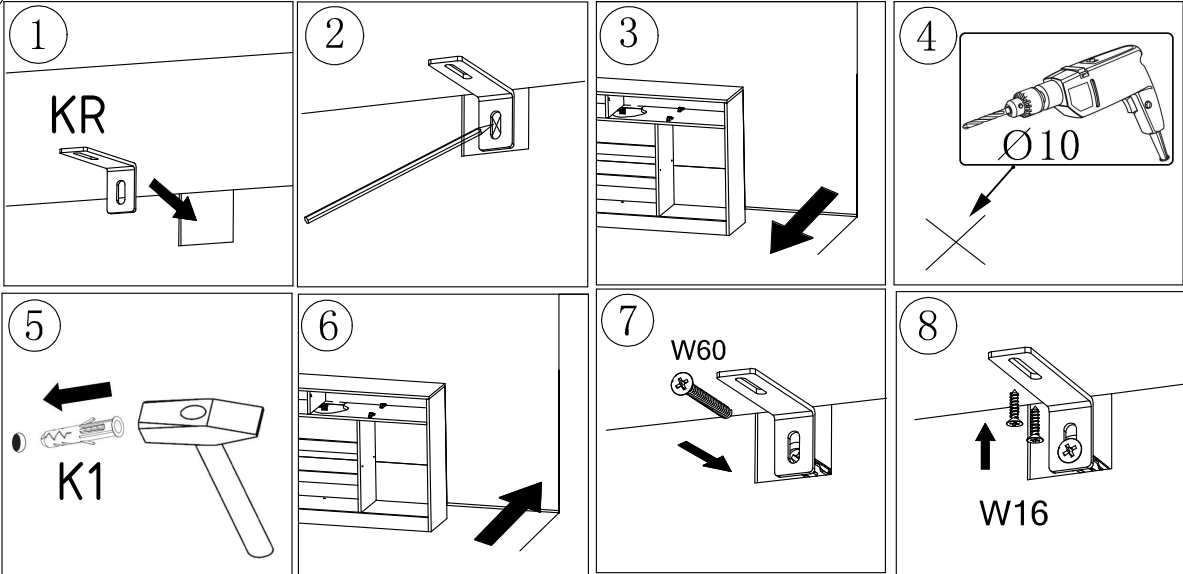
LED PROFILE



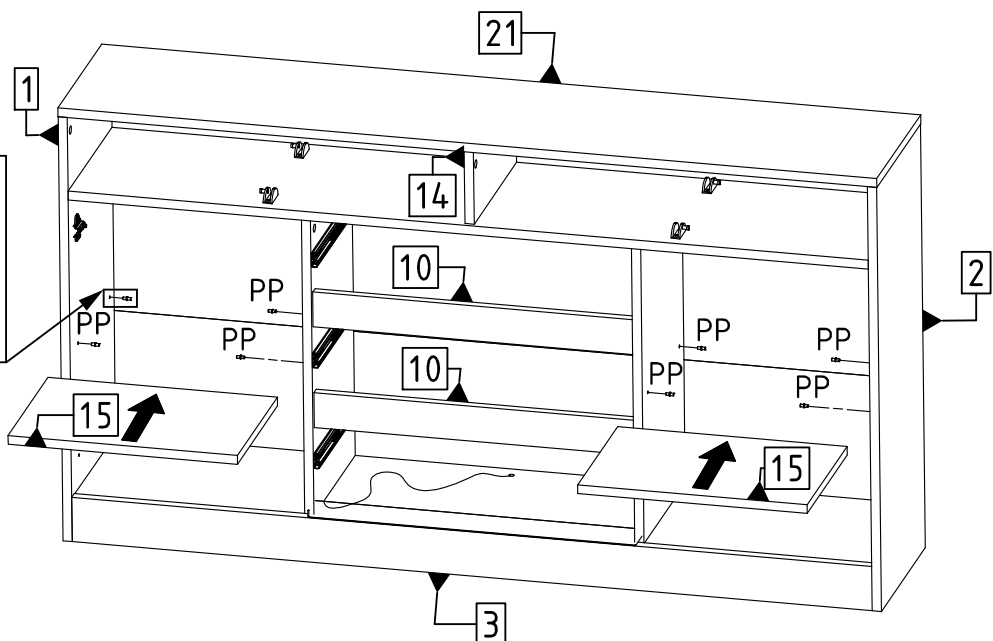
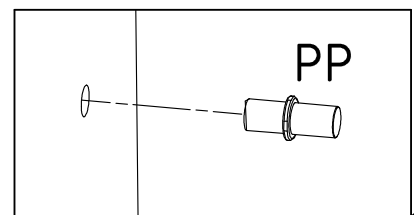
18.



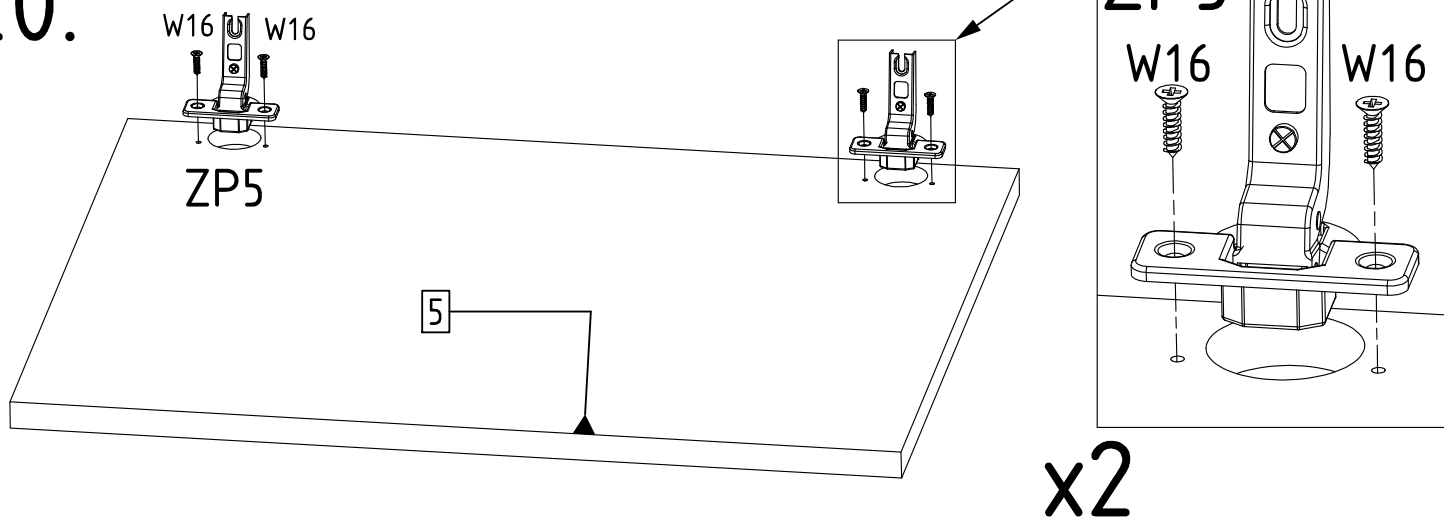
i



19.

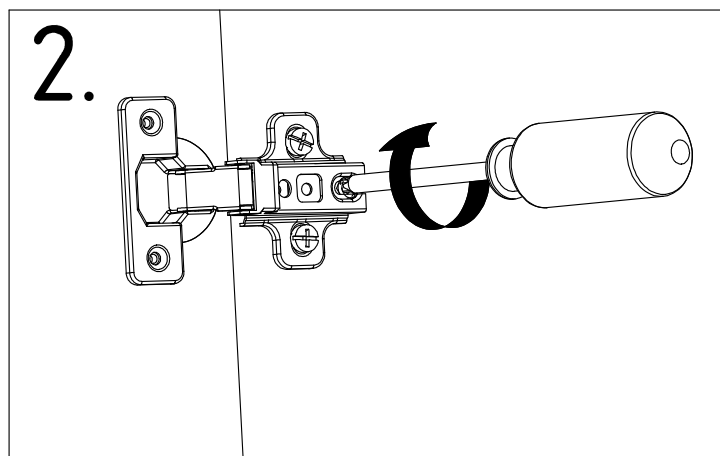
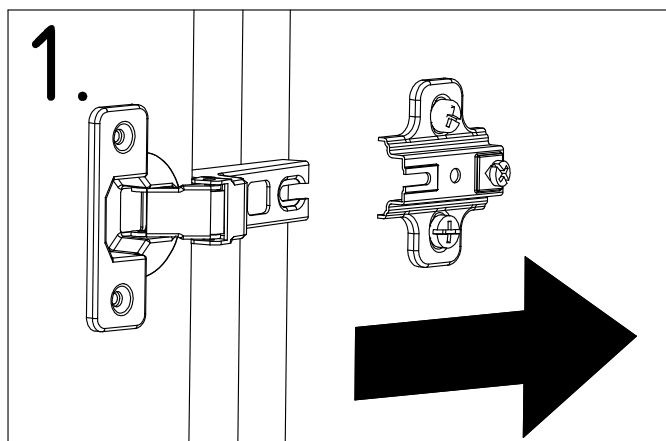
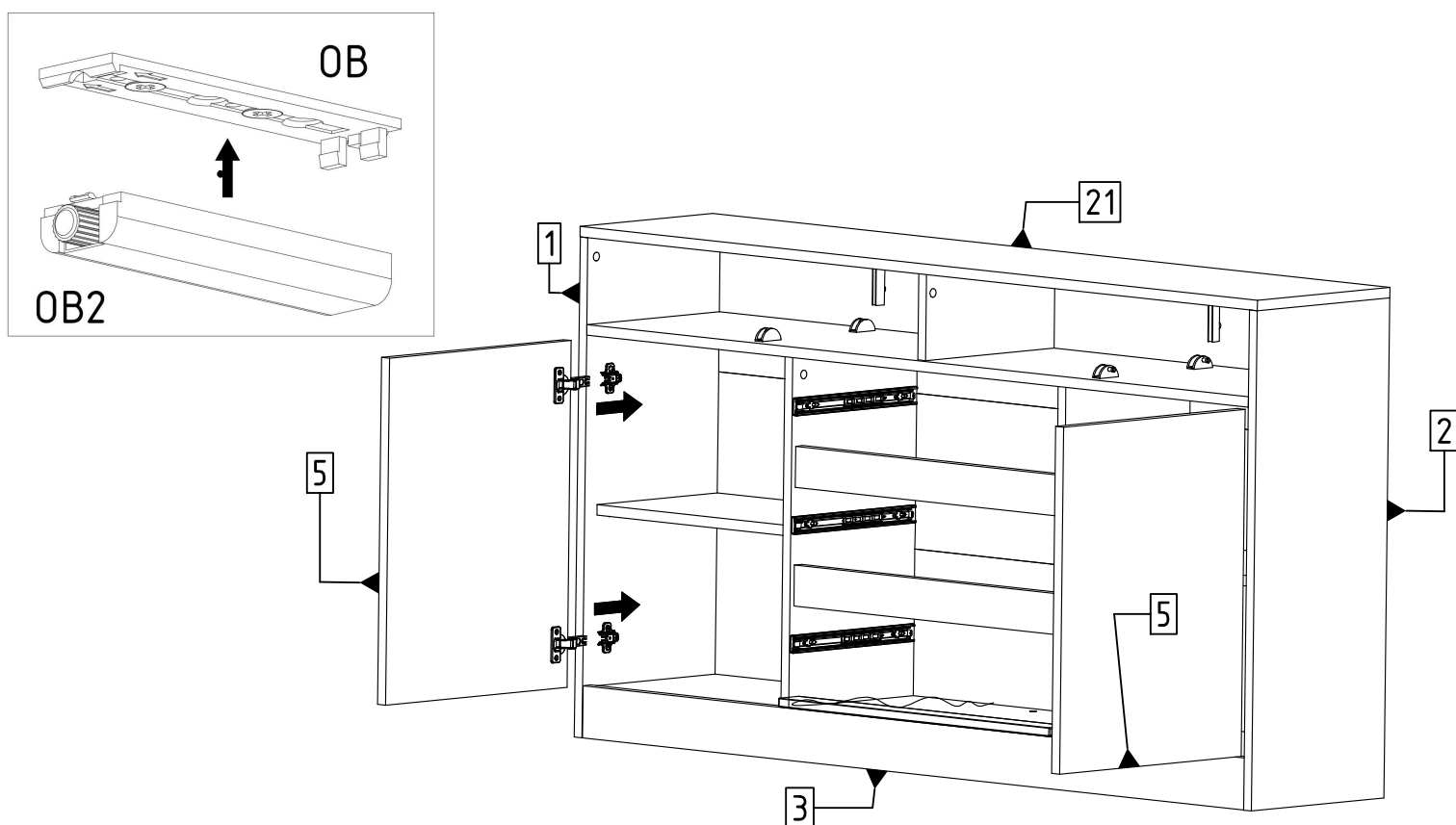


20.

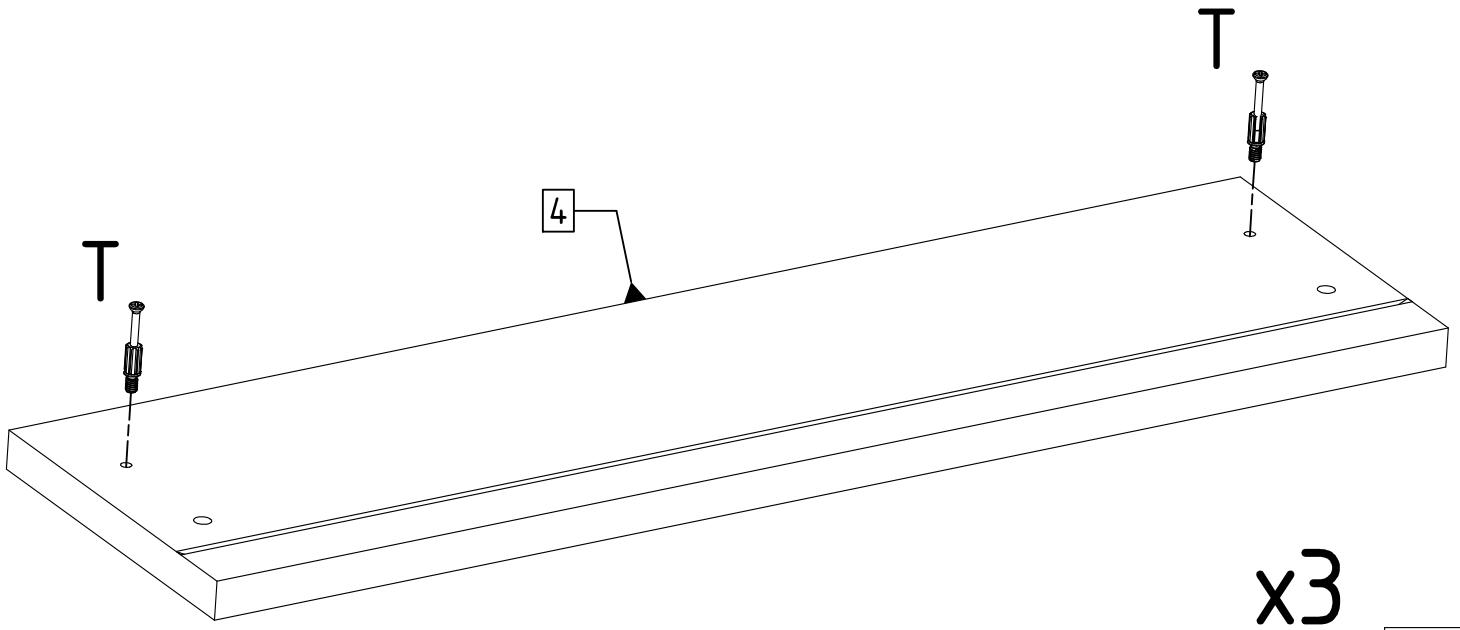
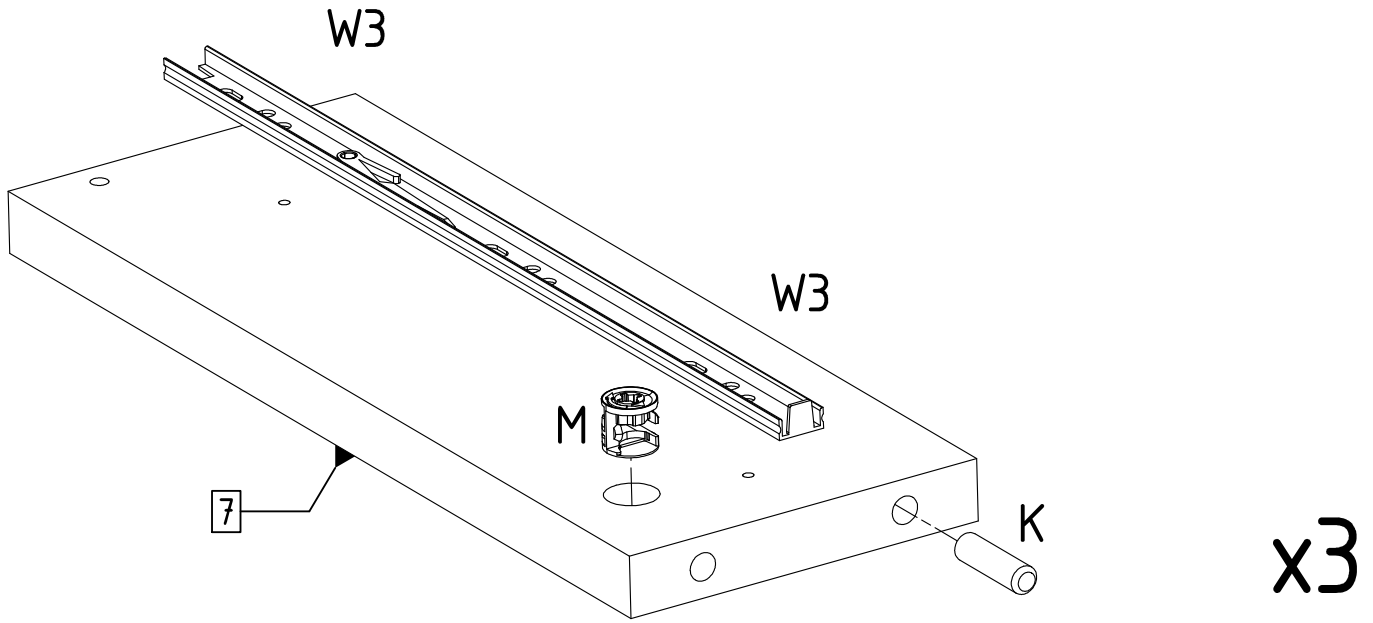
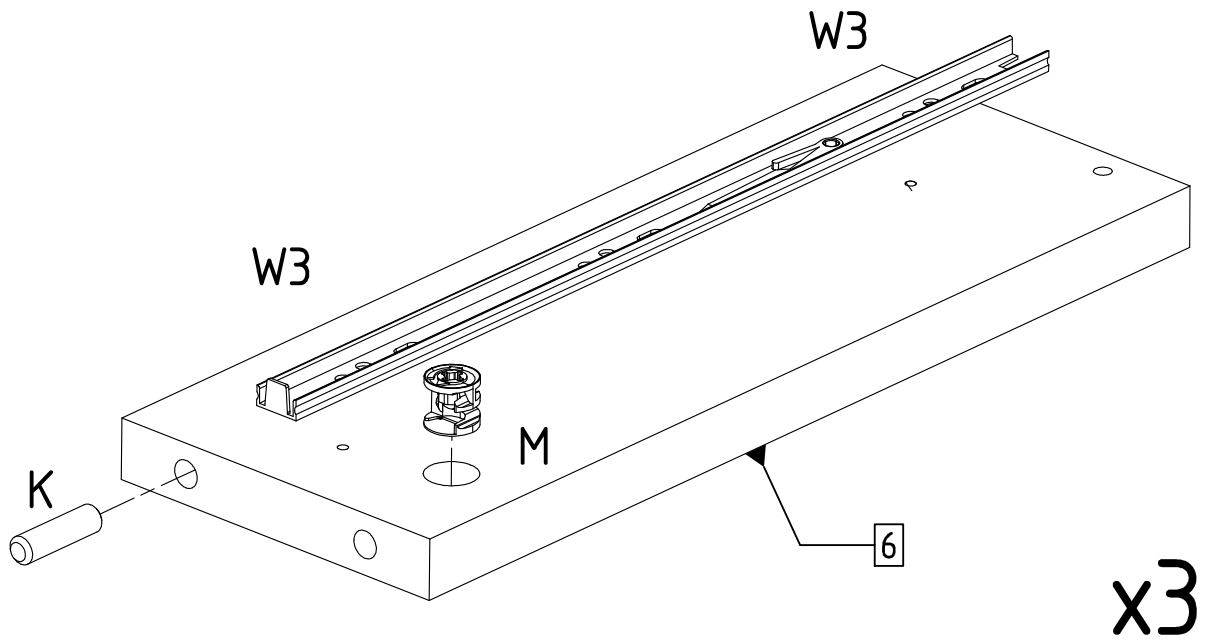


x2

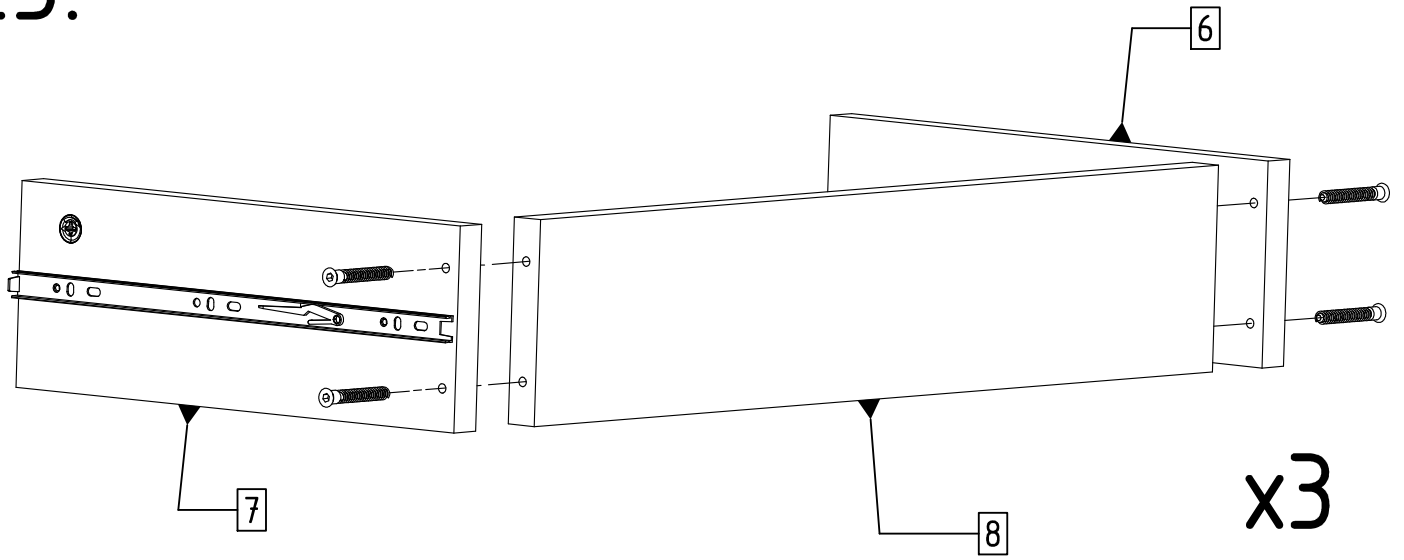
21.



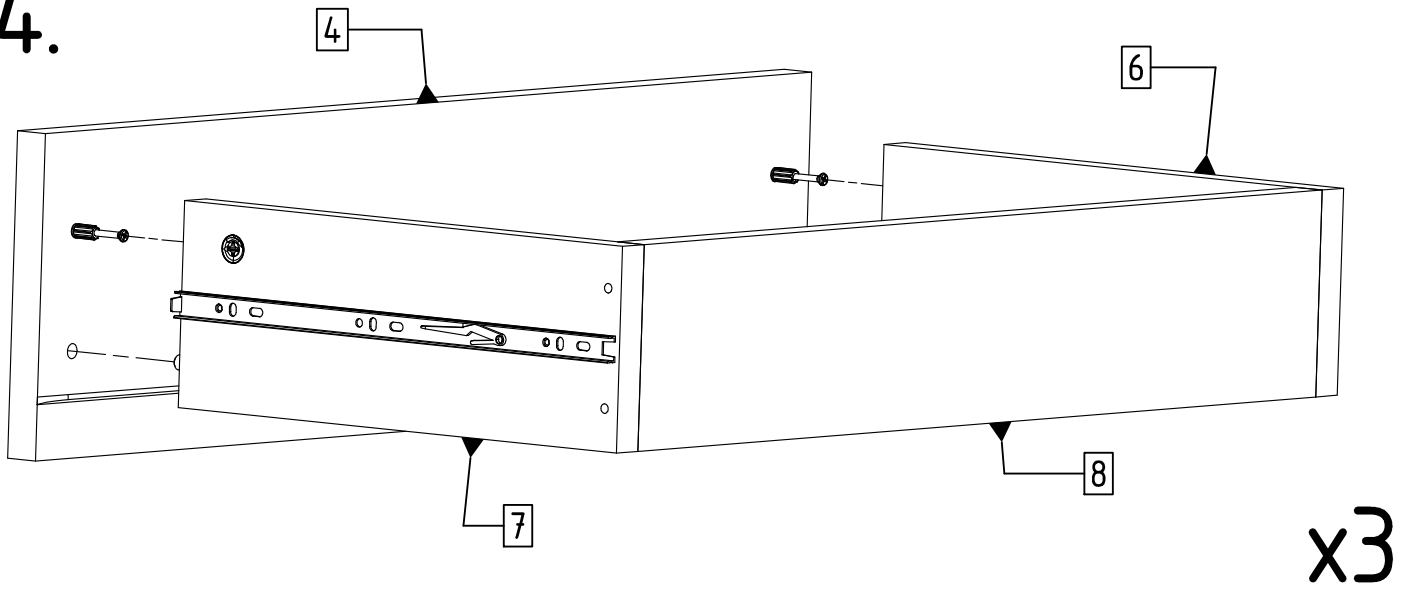
22.



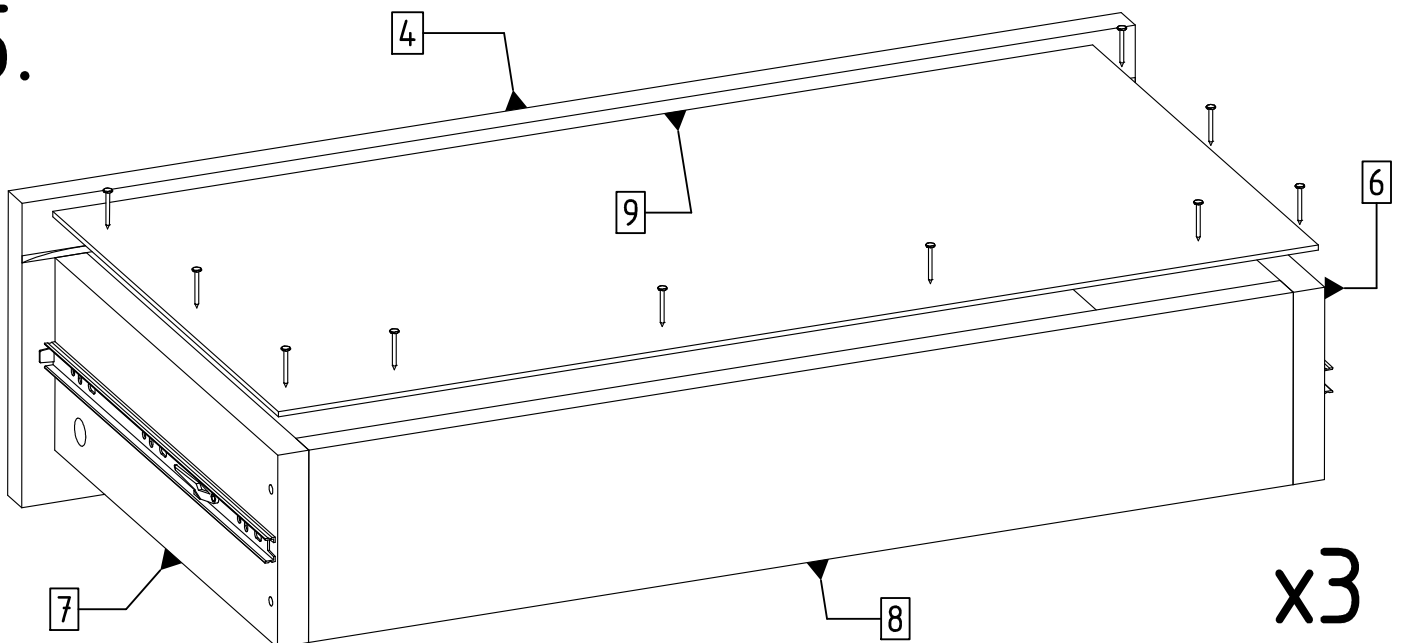
23.



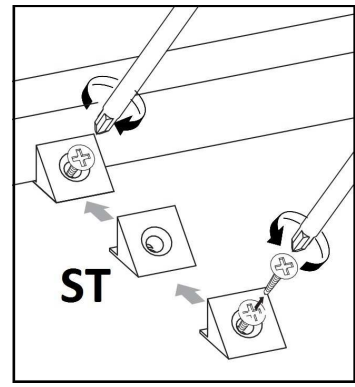
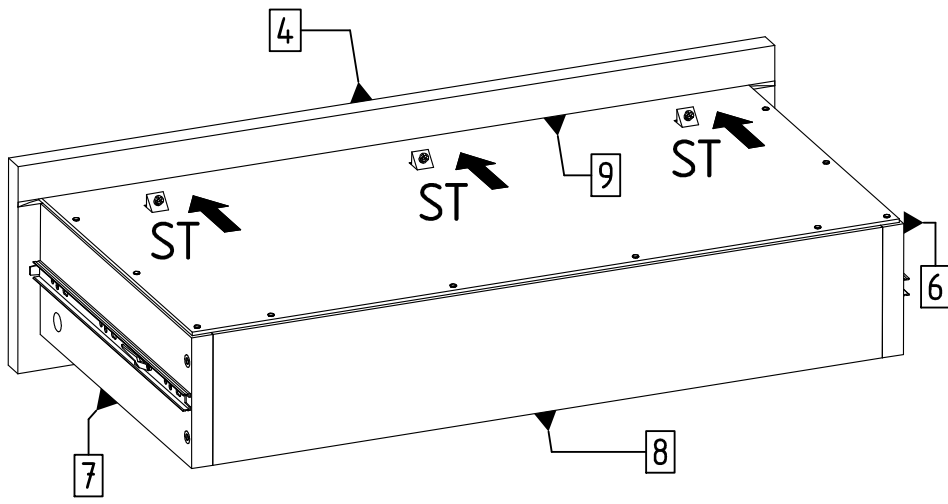
24.



25.

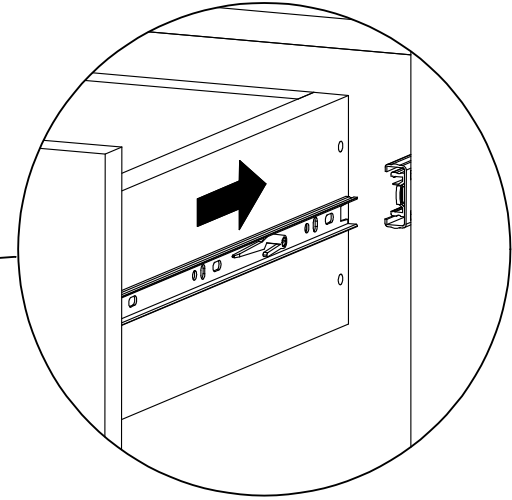
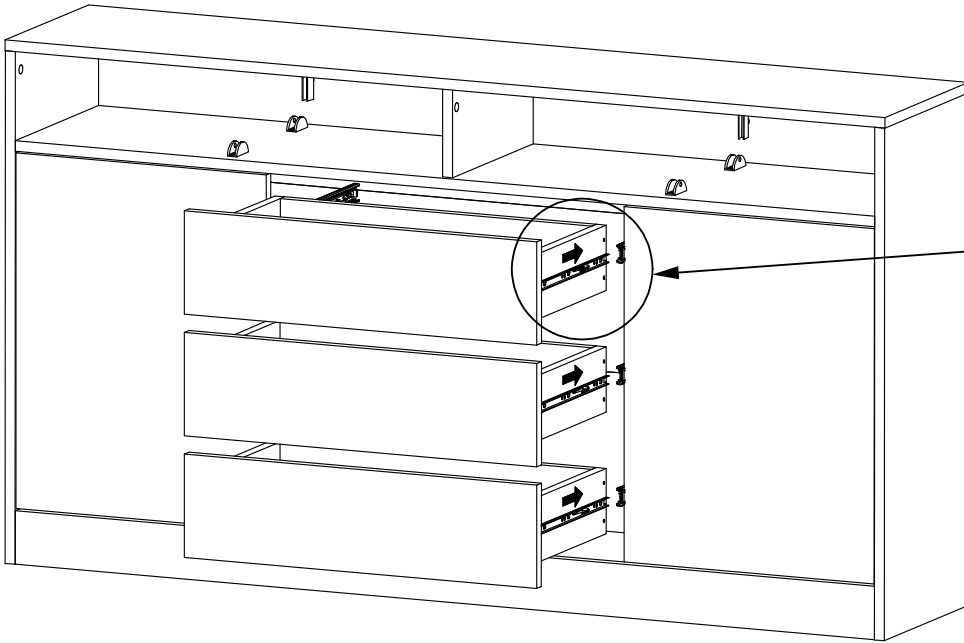


26.

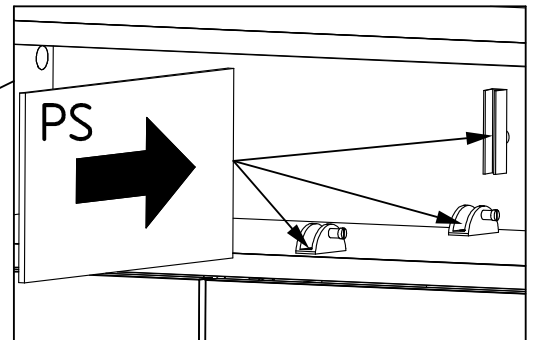
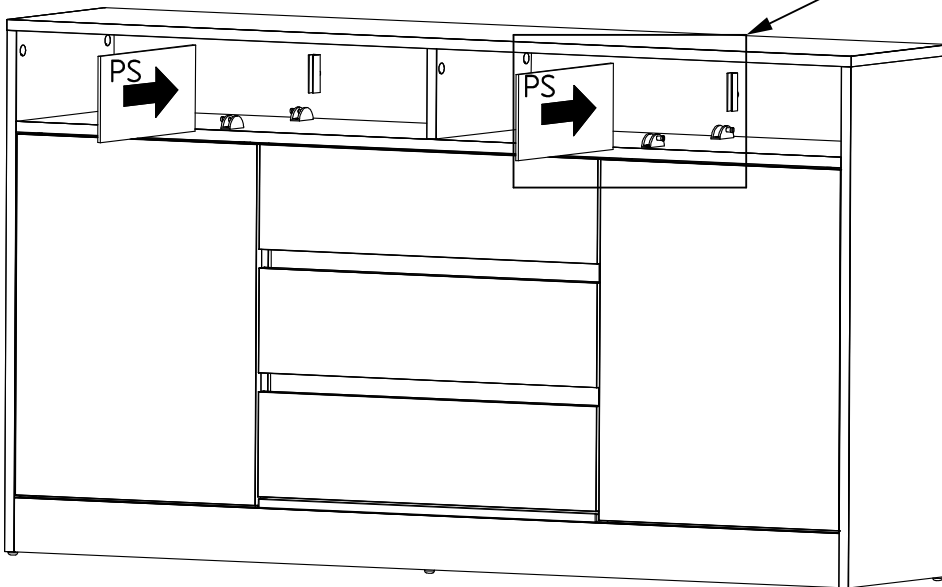


x3

27.



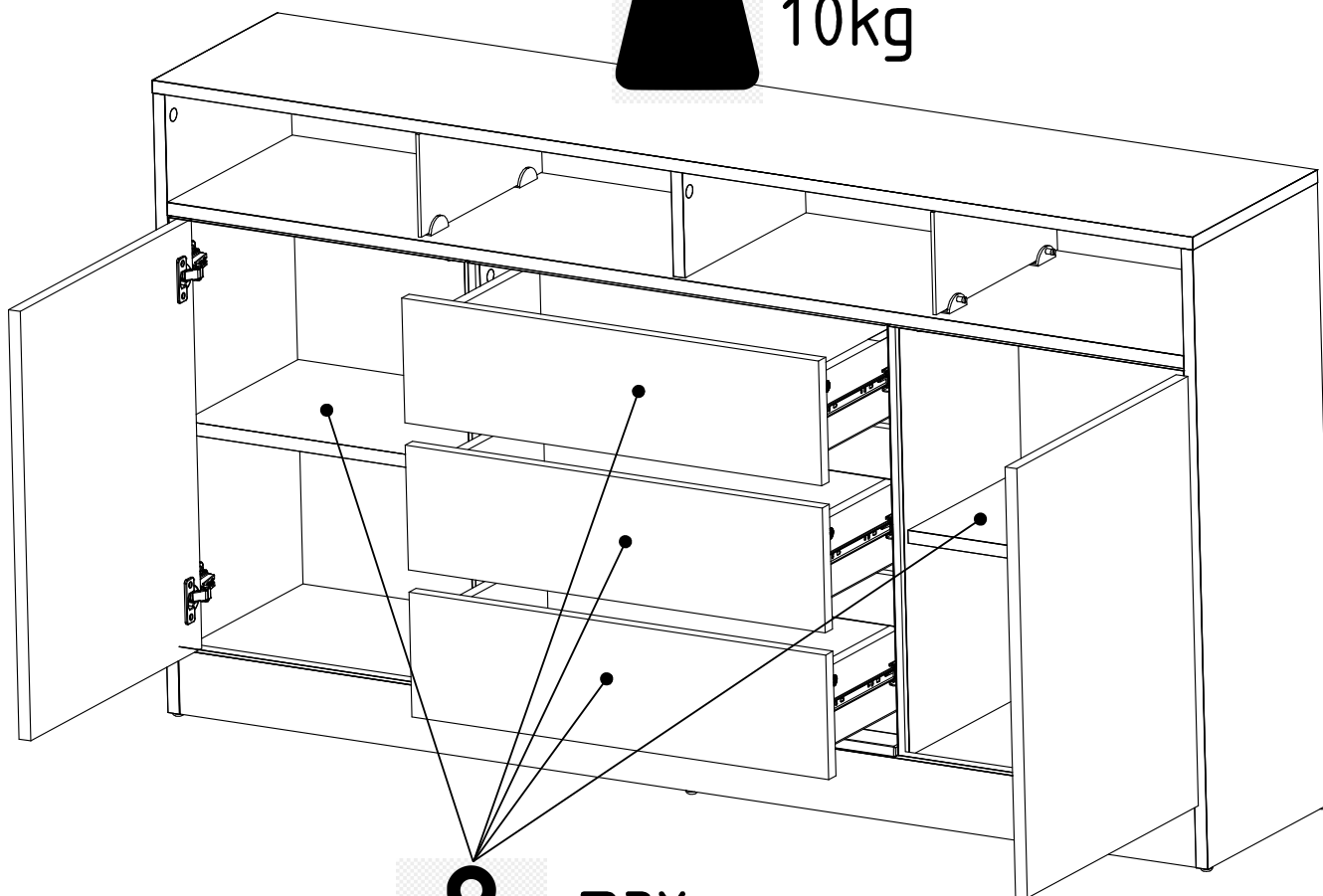
28.



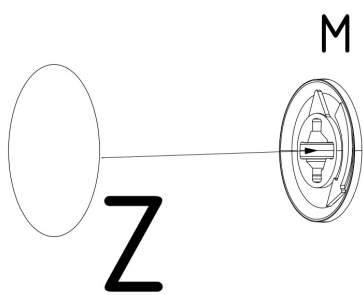
29.



max.
10kg



max.
5kg



2.



24 H



1.

