

DISPARO

DISPAR001

OP-69, 84

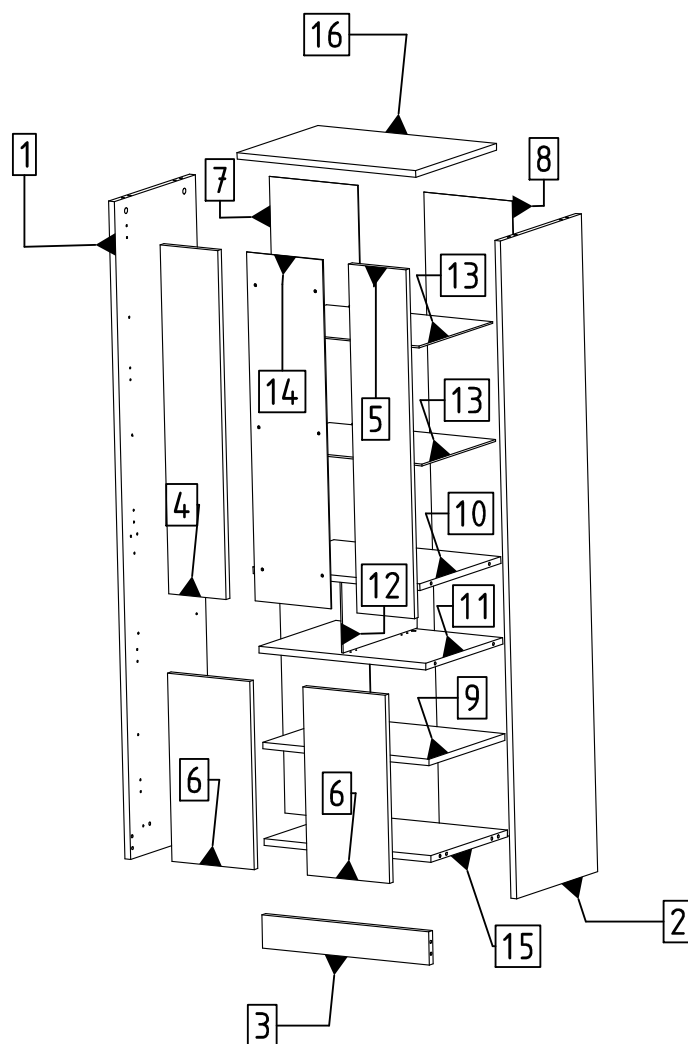
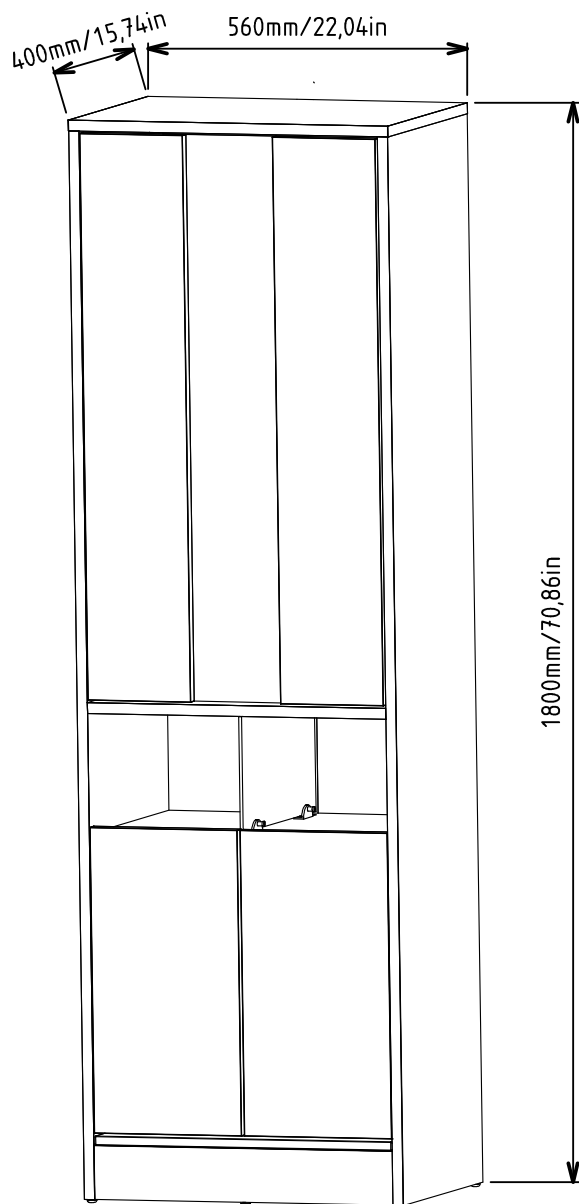
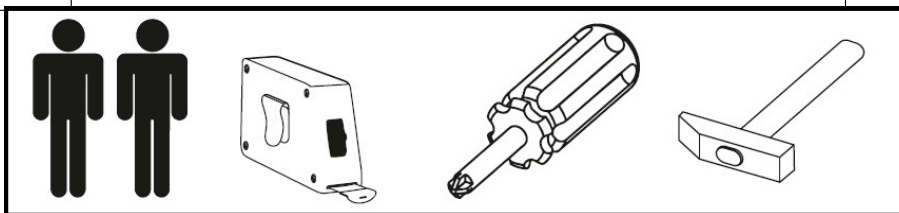
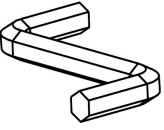
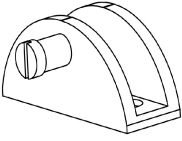
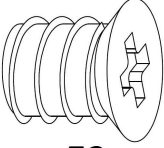
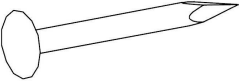
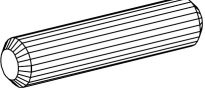
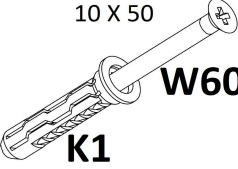
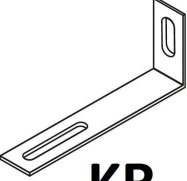

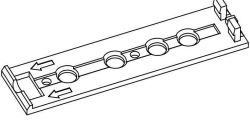
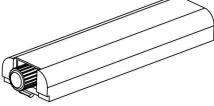
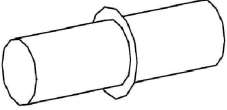
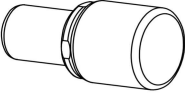
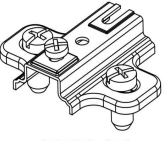
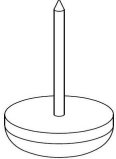
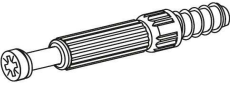
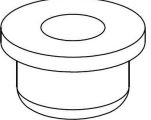
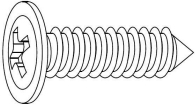
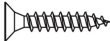
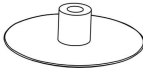
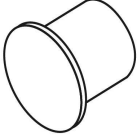
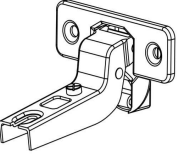
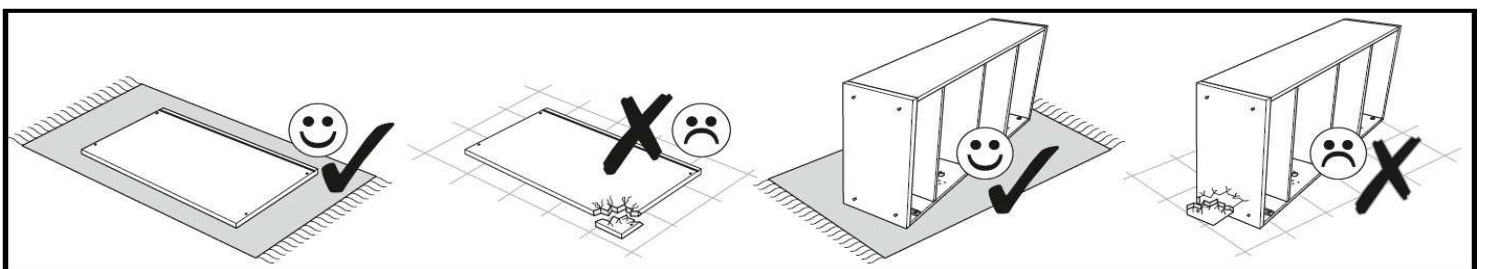


Table accessories

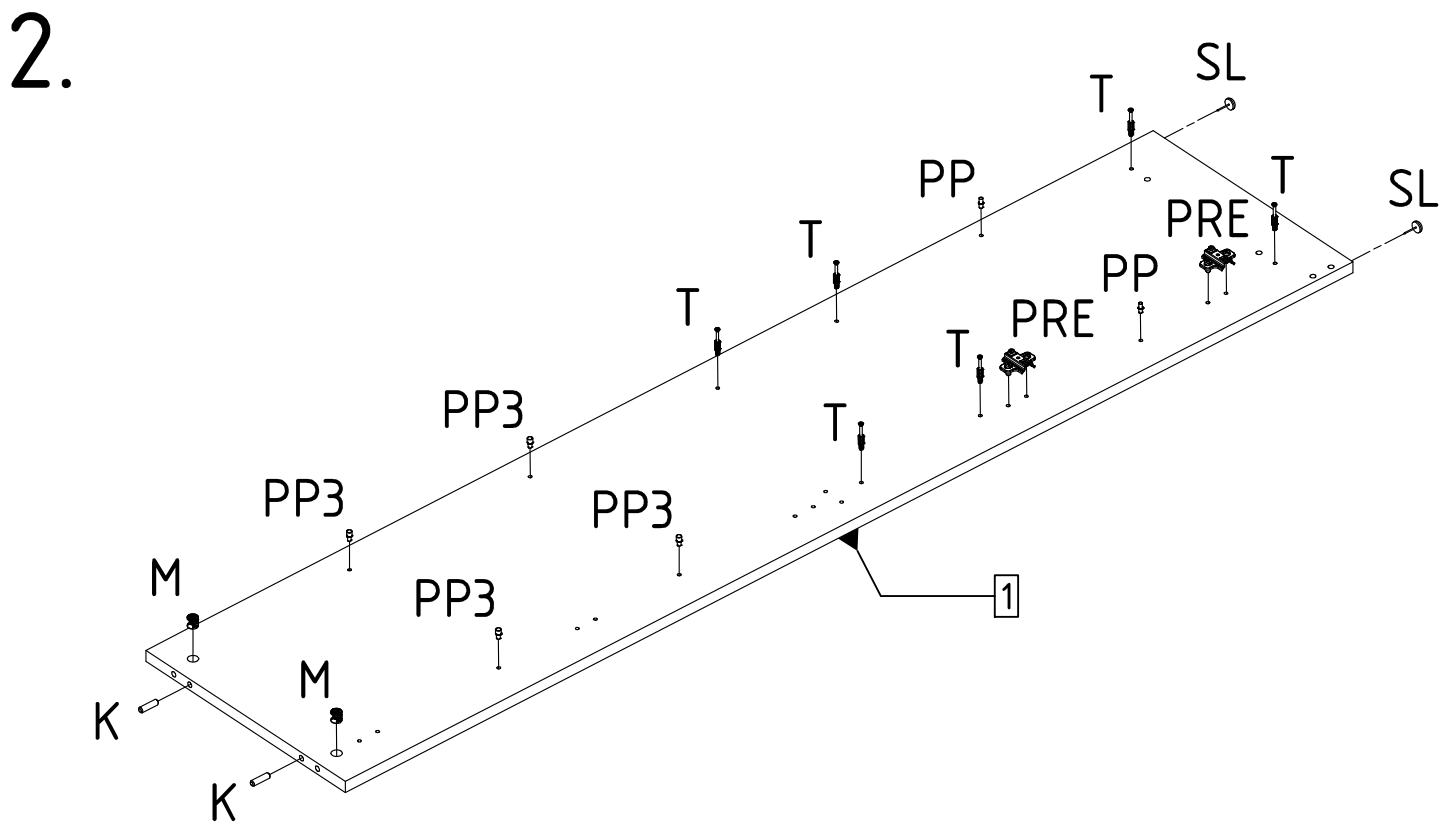
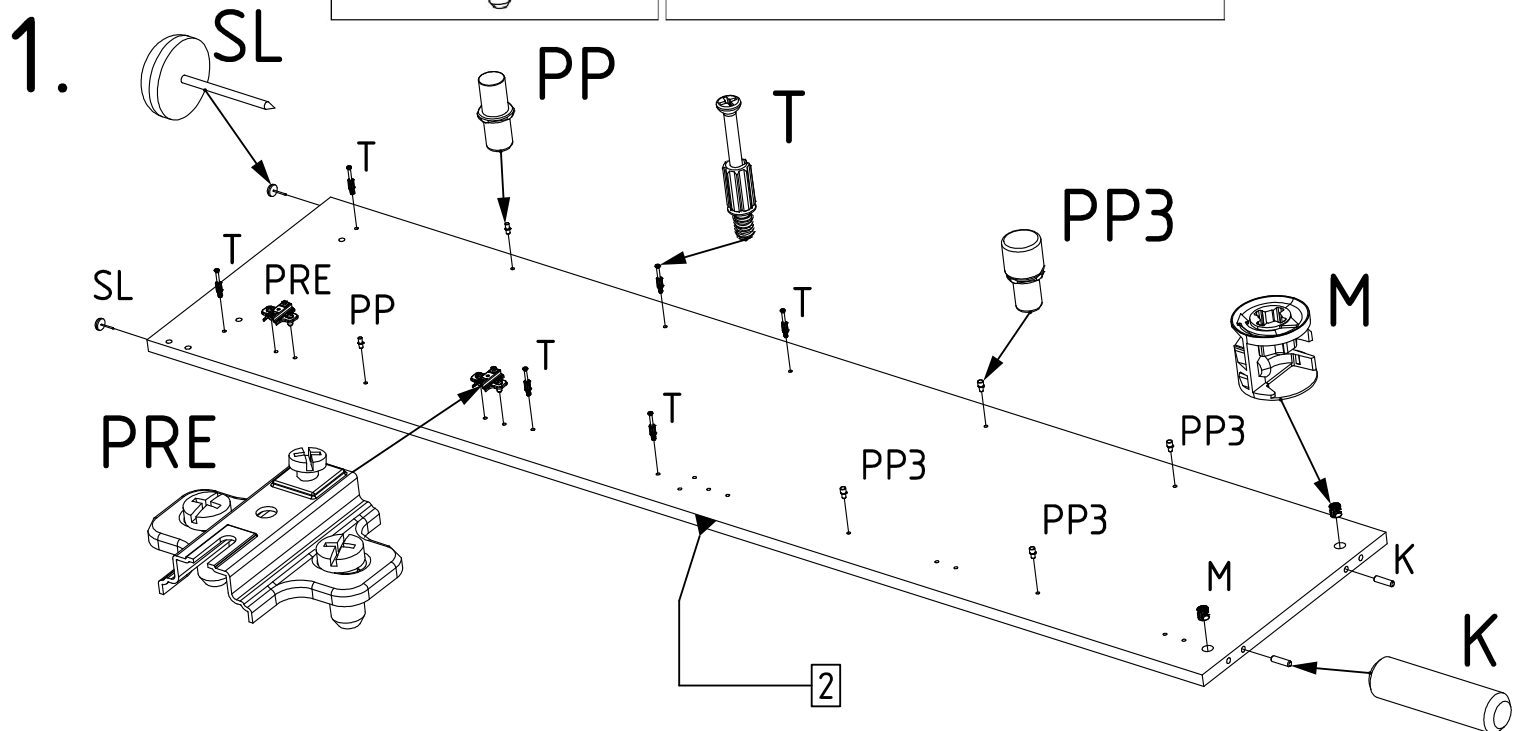
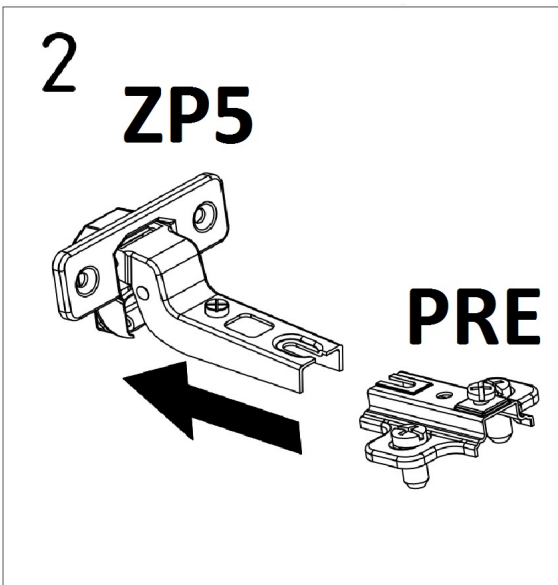
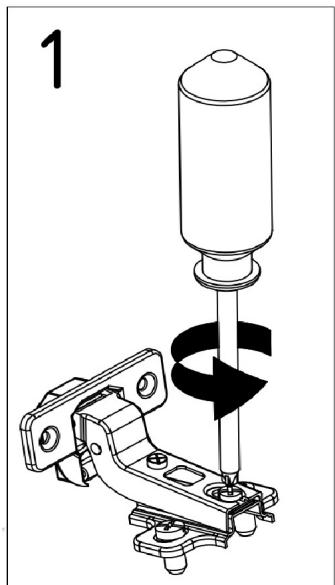
DISPAR001

 <p>A1</p>	 <p>BS</p>	<p>6,3x9mm</p>  <p>E3</p>	 <p>G</p>	<p>8 x 30</p>  <p>K</p>
<p>10 X 50</p>  <p>K1</p> <p>W60</p>	 <p>KR</p>	<p>15 x 12</p>  <p>M</p>	 <p>OB</p>	 <p>OB2</p>
 <p>PP</p>	 <p>PP3</p>	 <p>PRE</p>	 <p>SL</p>	<p>6 x 34 mm</p>  <p>T</p>
 <p>TP</p>	<p>UP 4 X 16mm</p>  <p>W10</p>	<p>4 x 16</p>  <p>W16</p>	 <p>Z</p>	 <p>Z5</p>
 <p>ZP5</p>				

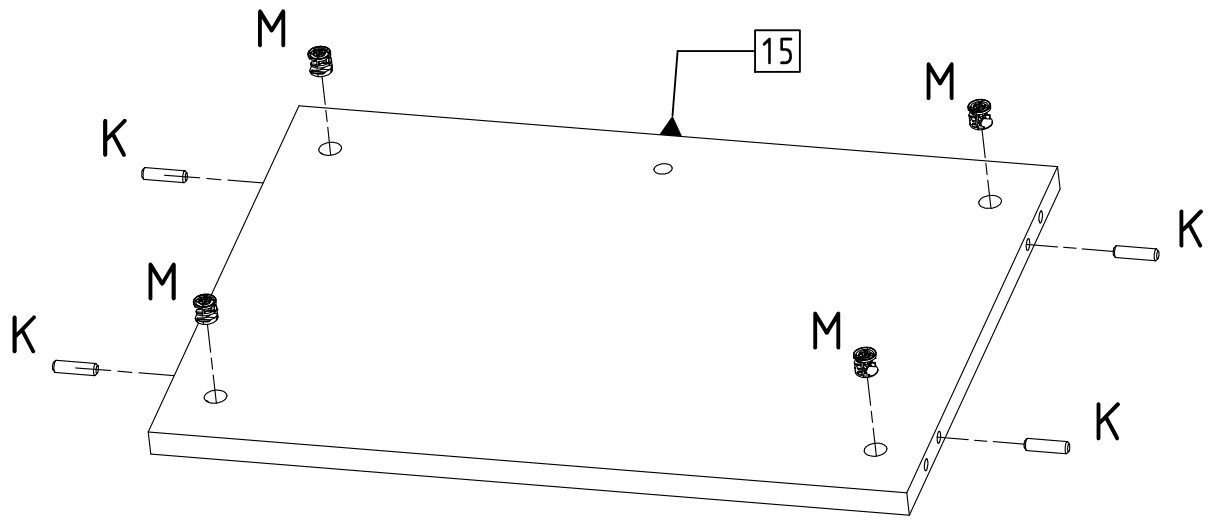


Elements				Accessories	
SYMBOL	LENGTH	WIDTH	QUANTITY	SYMBOL	QUANTITY
BL[1]	69.92	15.75	1	A1	1
BP[2]	69.92	15.75	1	BS	2
CD[3]	20.59	3.54	1	E3	2
FT1[4]	37.09	7.09	1	G	48
FT2[5]	37.09	7.09	1	K	12
FT3[6]	20	10.16	2	K1	1
PC1[7]	10.91	67.68	1	KR	1
PC2[8]	10.91	67.68	1	M	16
PK[9]	20.51	14.76	1	OB	1
PP01[10]	20.59	15.75	1	OB2	1
PP02[11]	20.59	15	1	PP	4
PS2[12]	14.41	7.6	1	PP3	8
PS[13]	20.51	14.29	2	PRE	7
SF[14]	37.09	9.37	1	SL	5
WD[15]	20.59	14.92	1	T	16
WG[16]	22.05	15.75	1	TP	6
				W10	6
				W16	20
				W60	1
				Z	16
				Z5	8
				ZP5	7

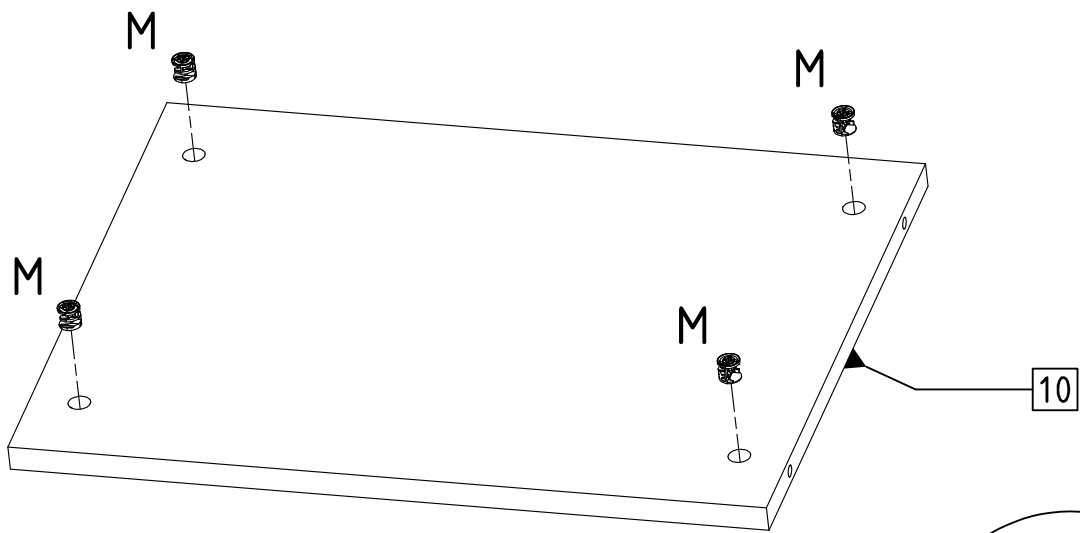




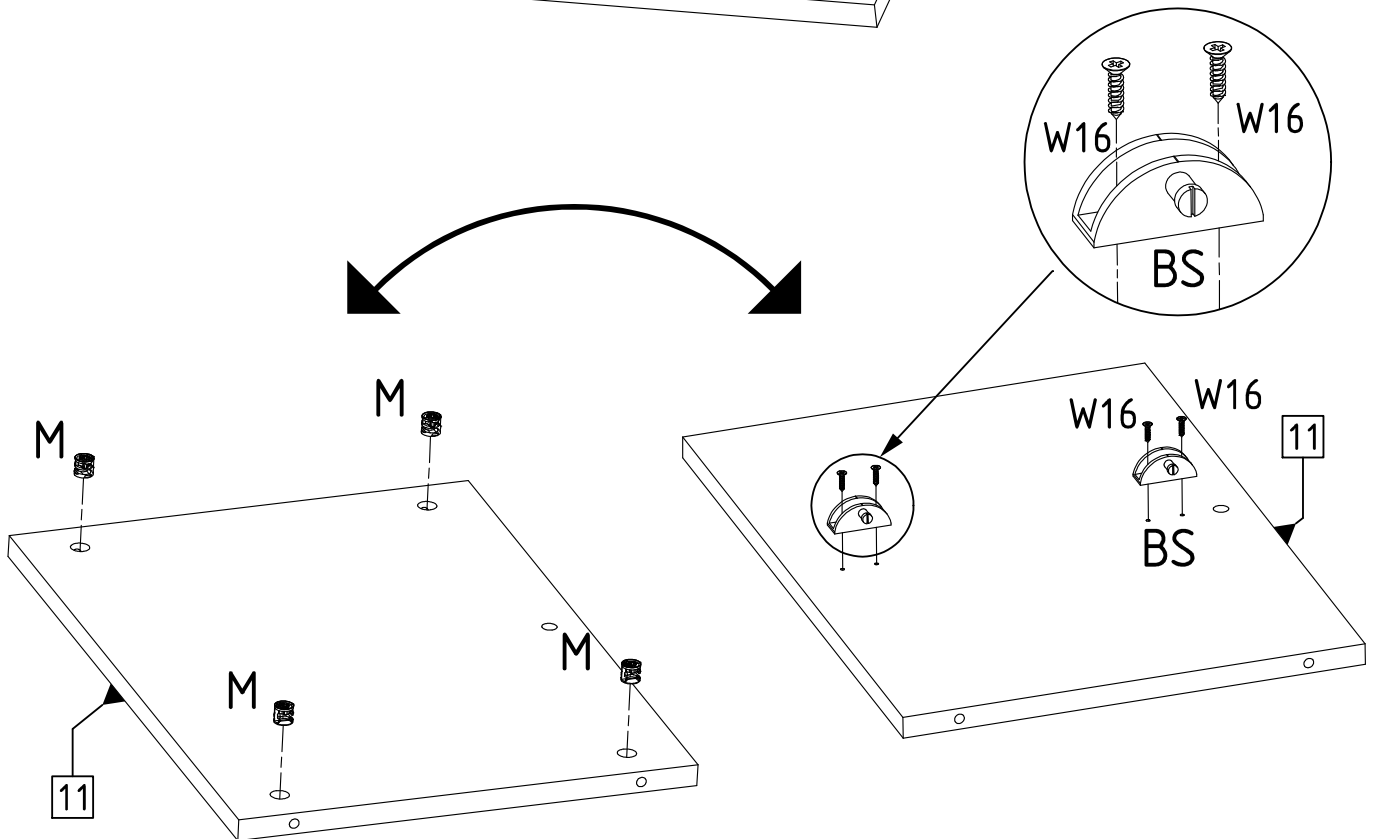
3.



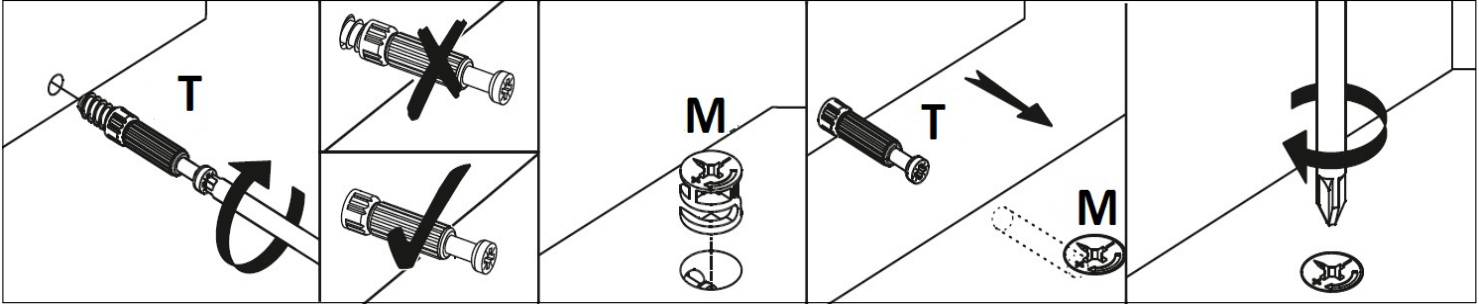
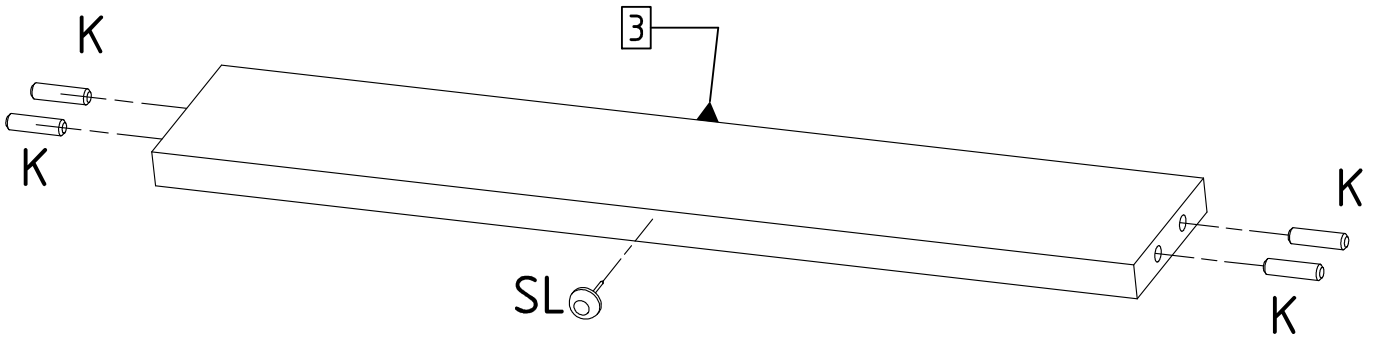
4.



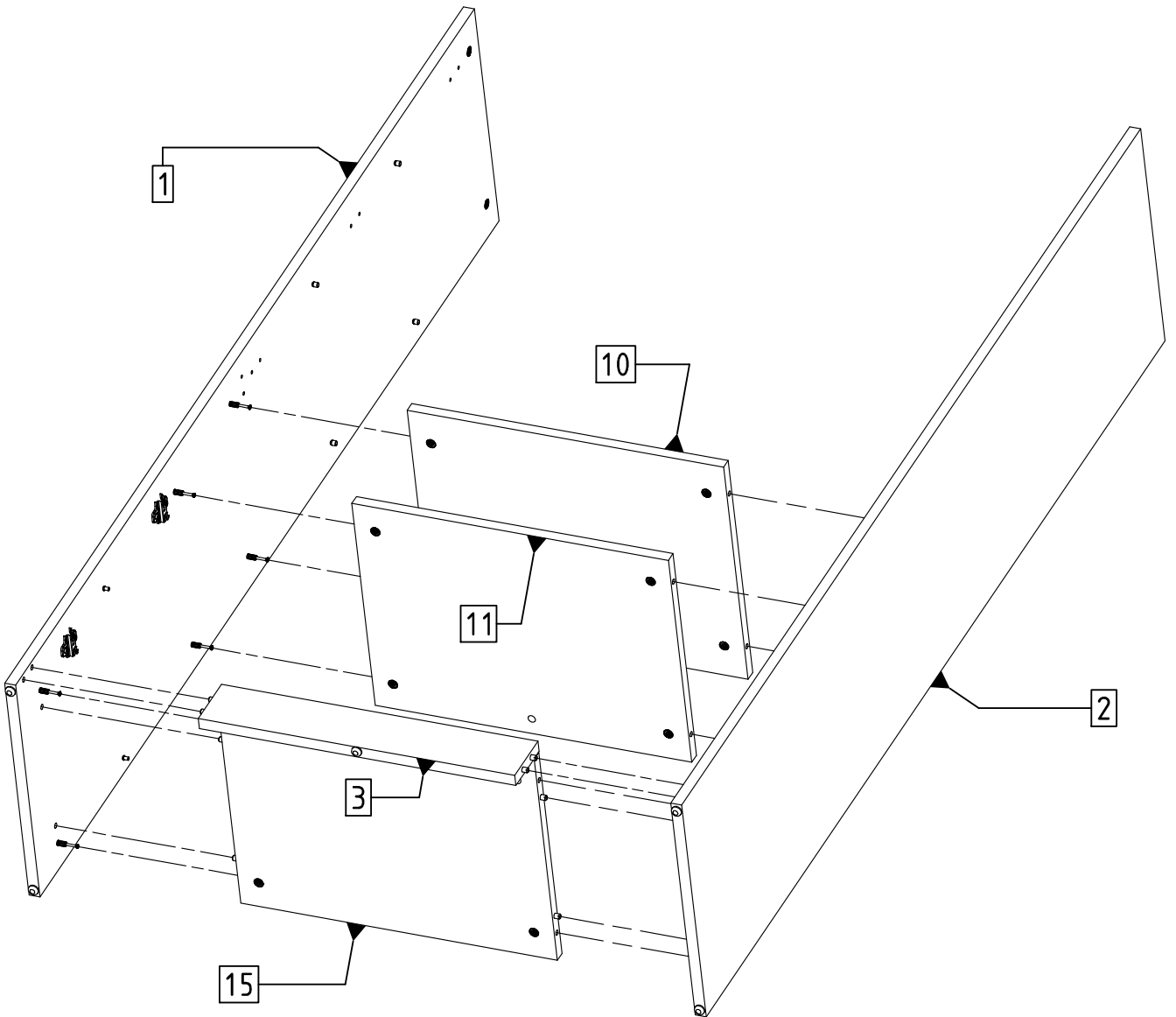
5.



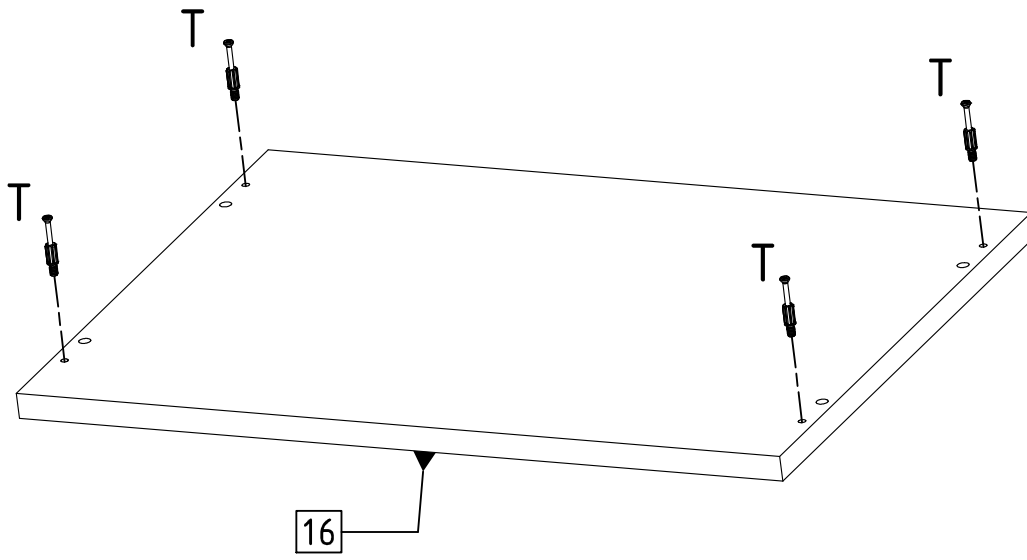
6.



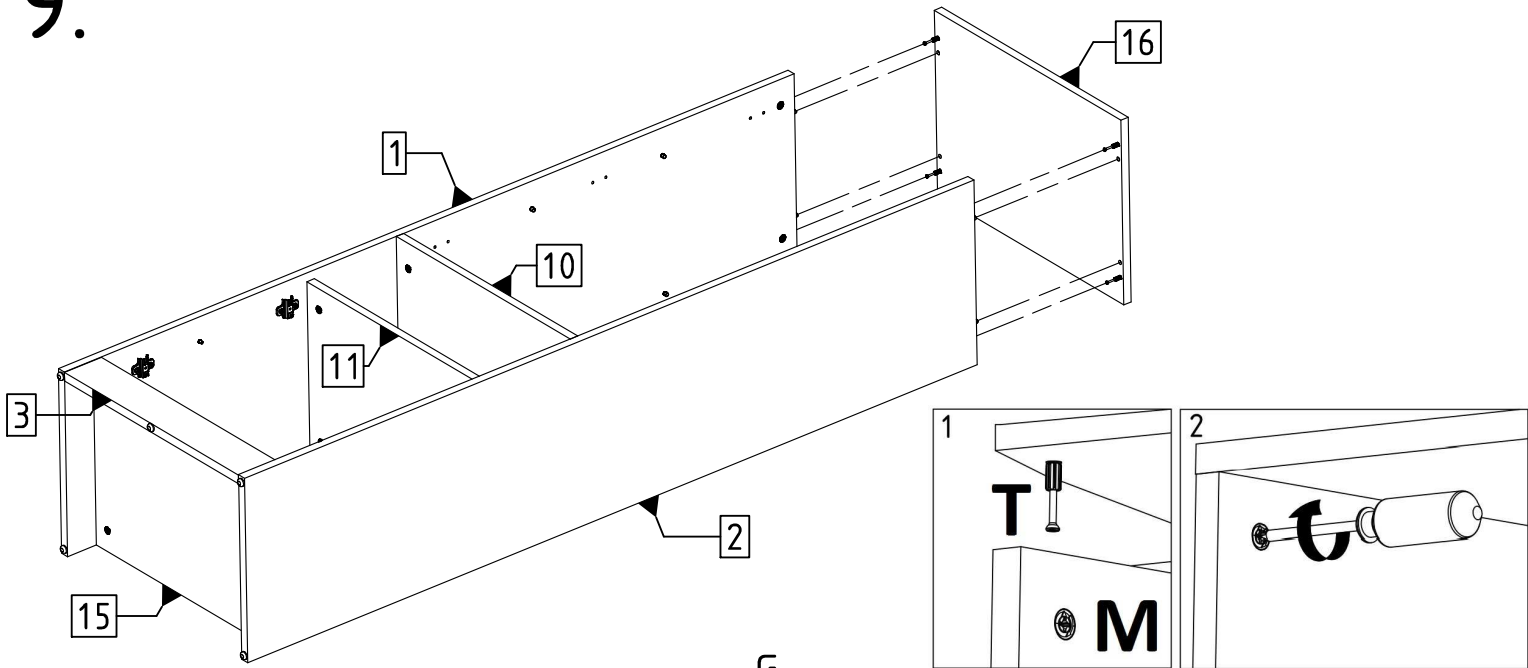
7.



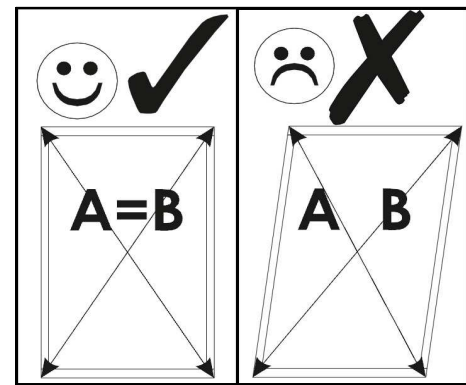
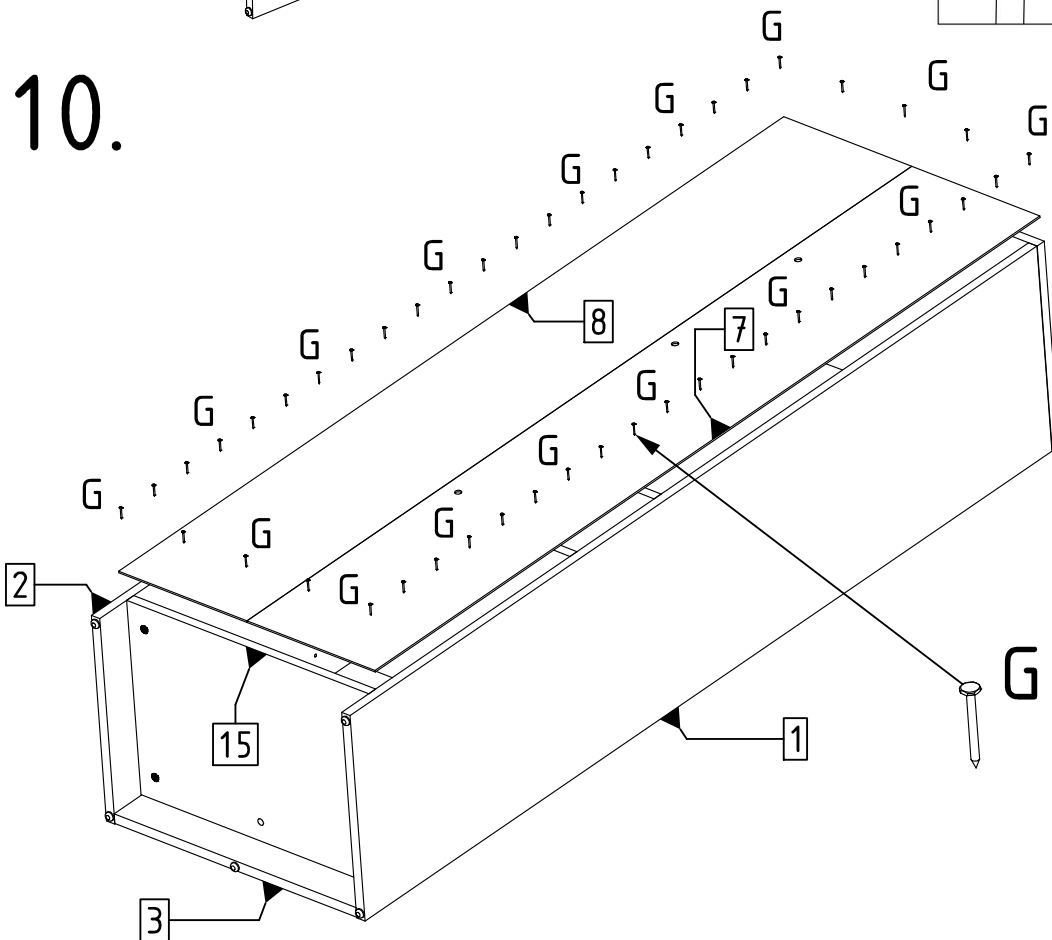
8.



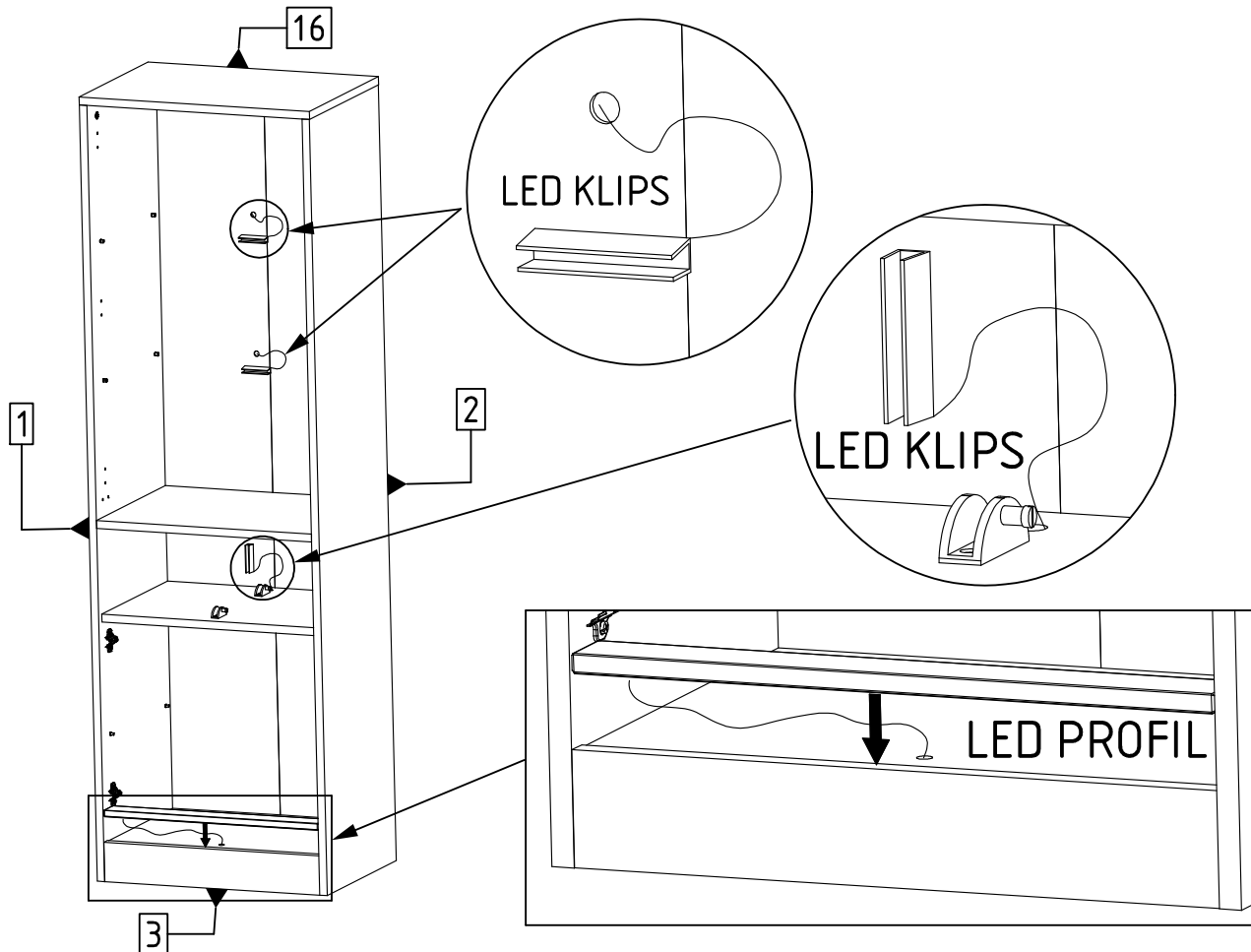
9.



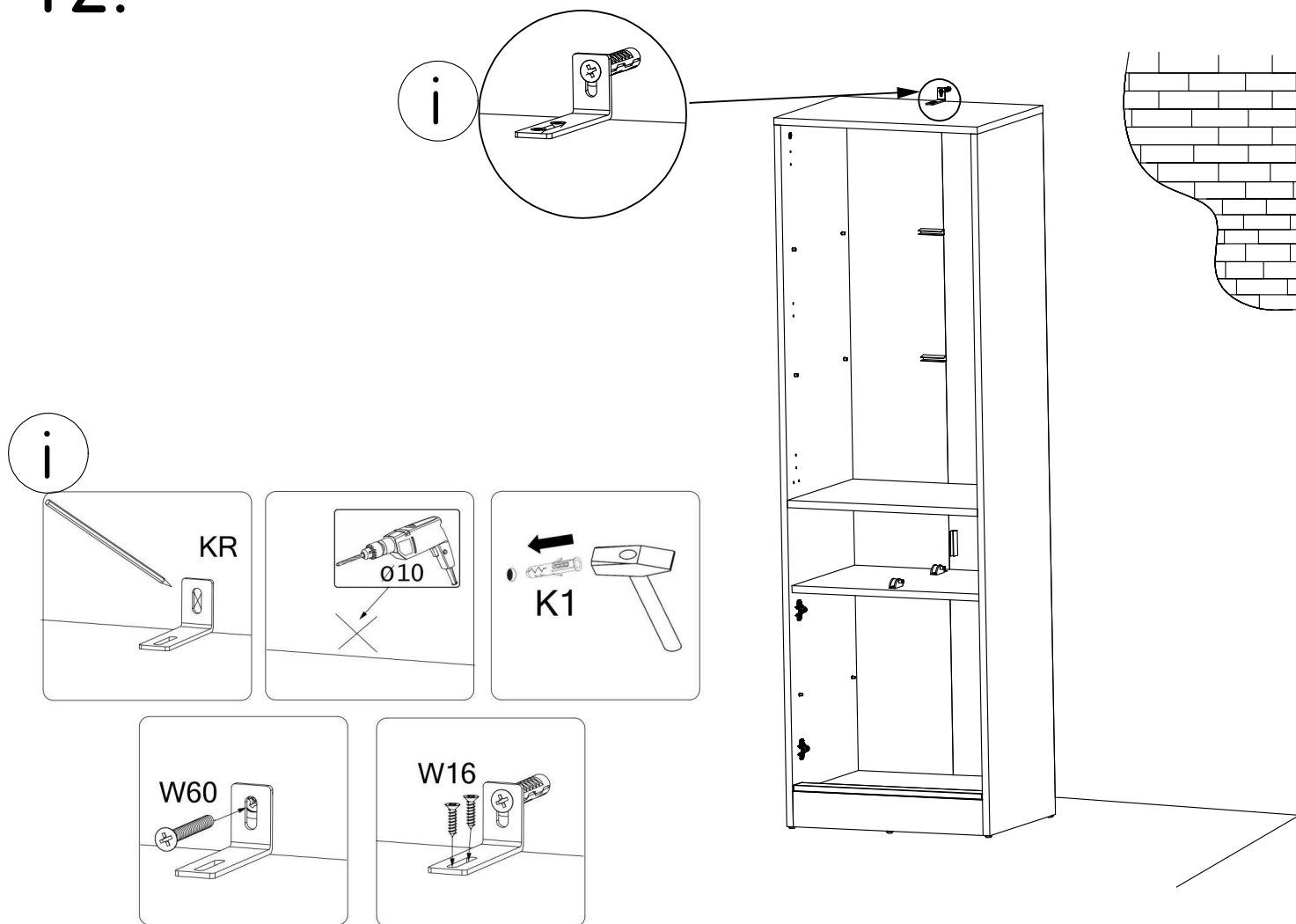
10.



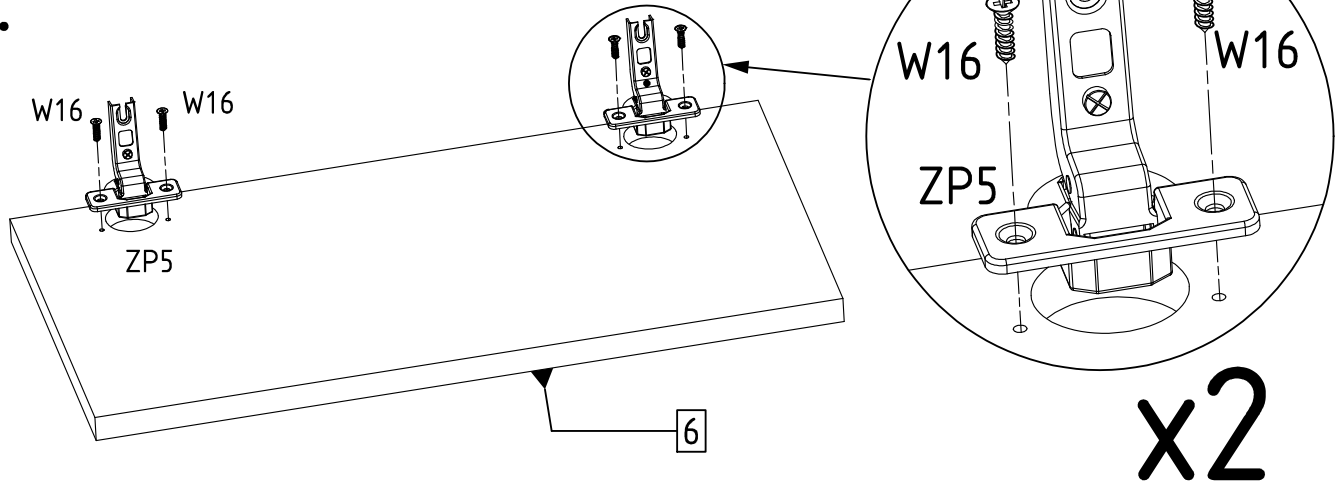
11.



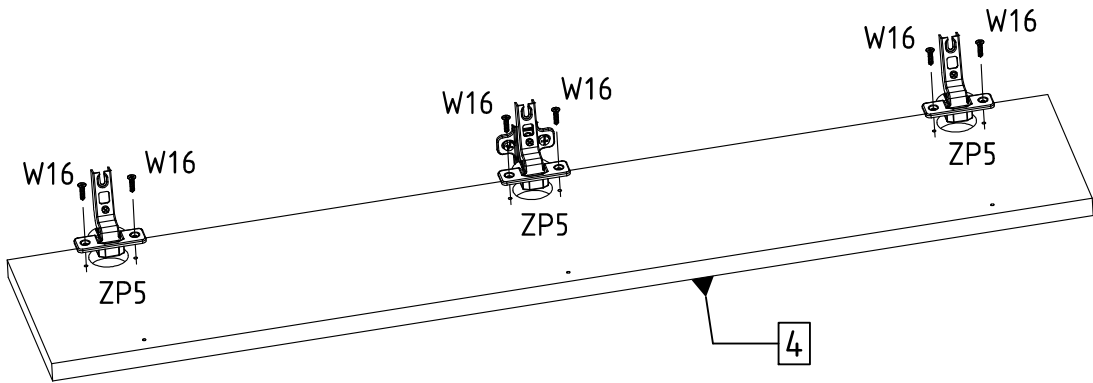
12.



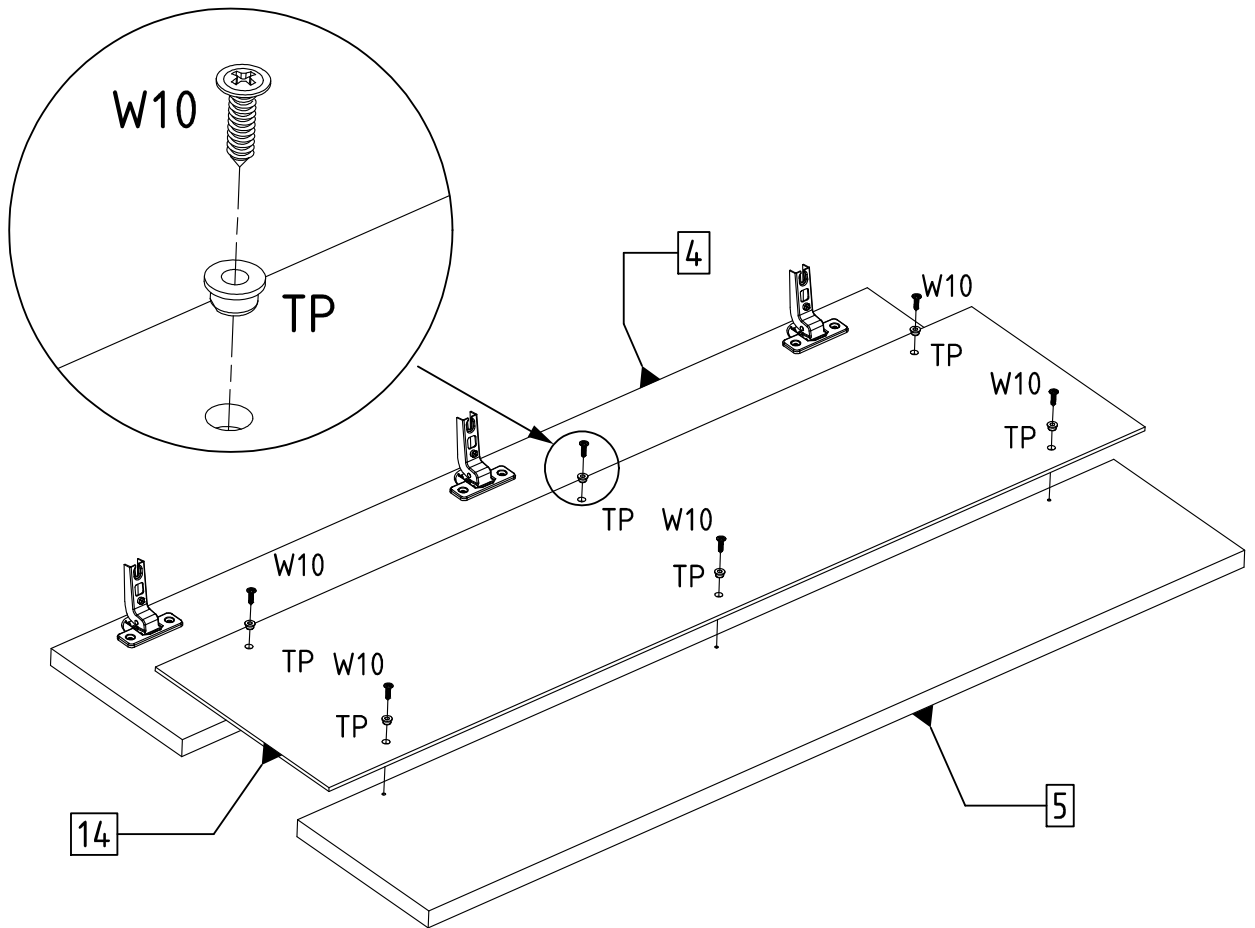
13.



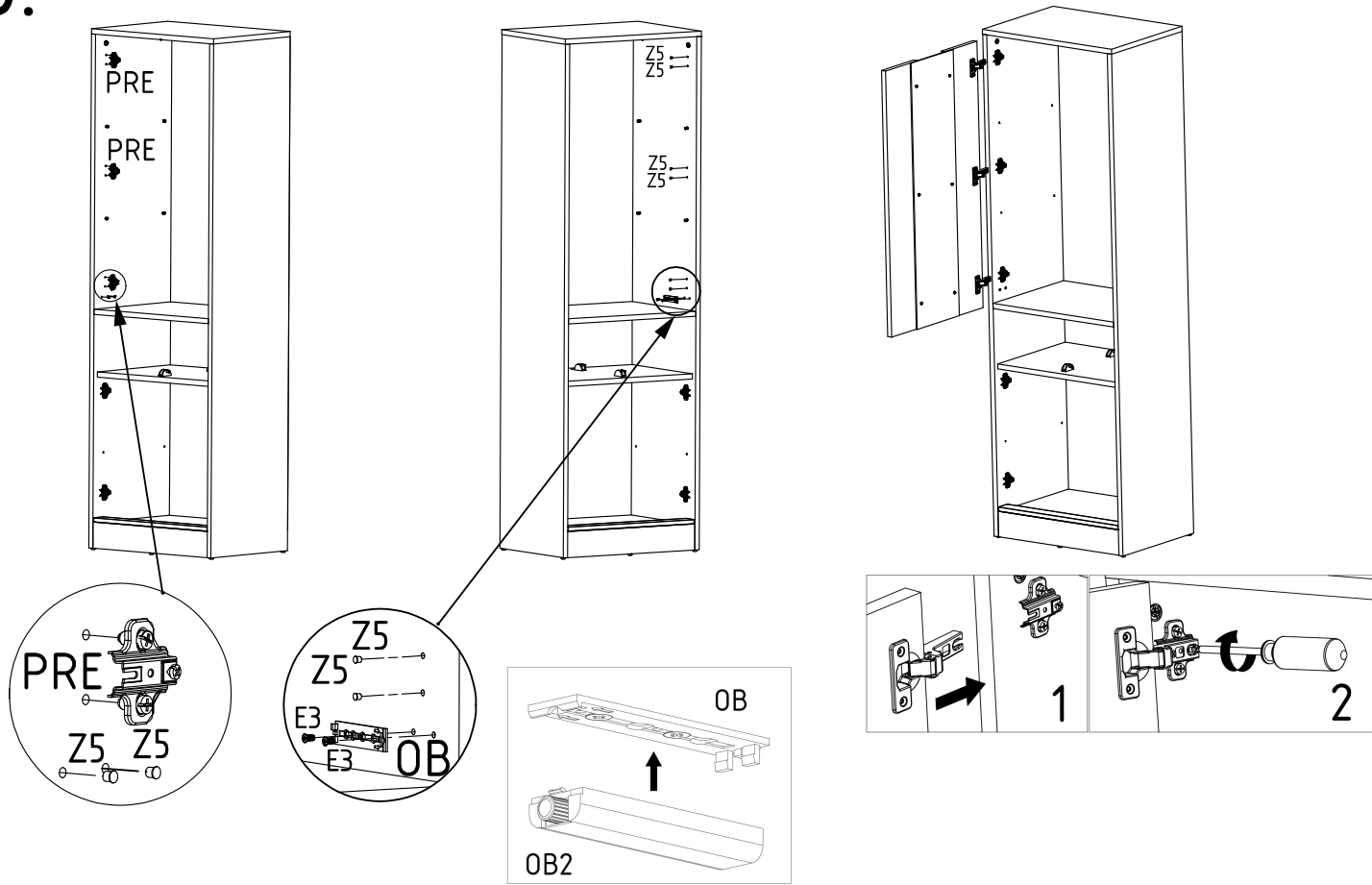
14.



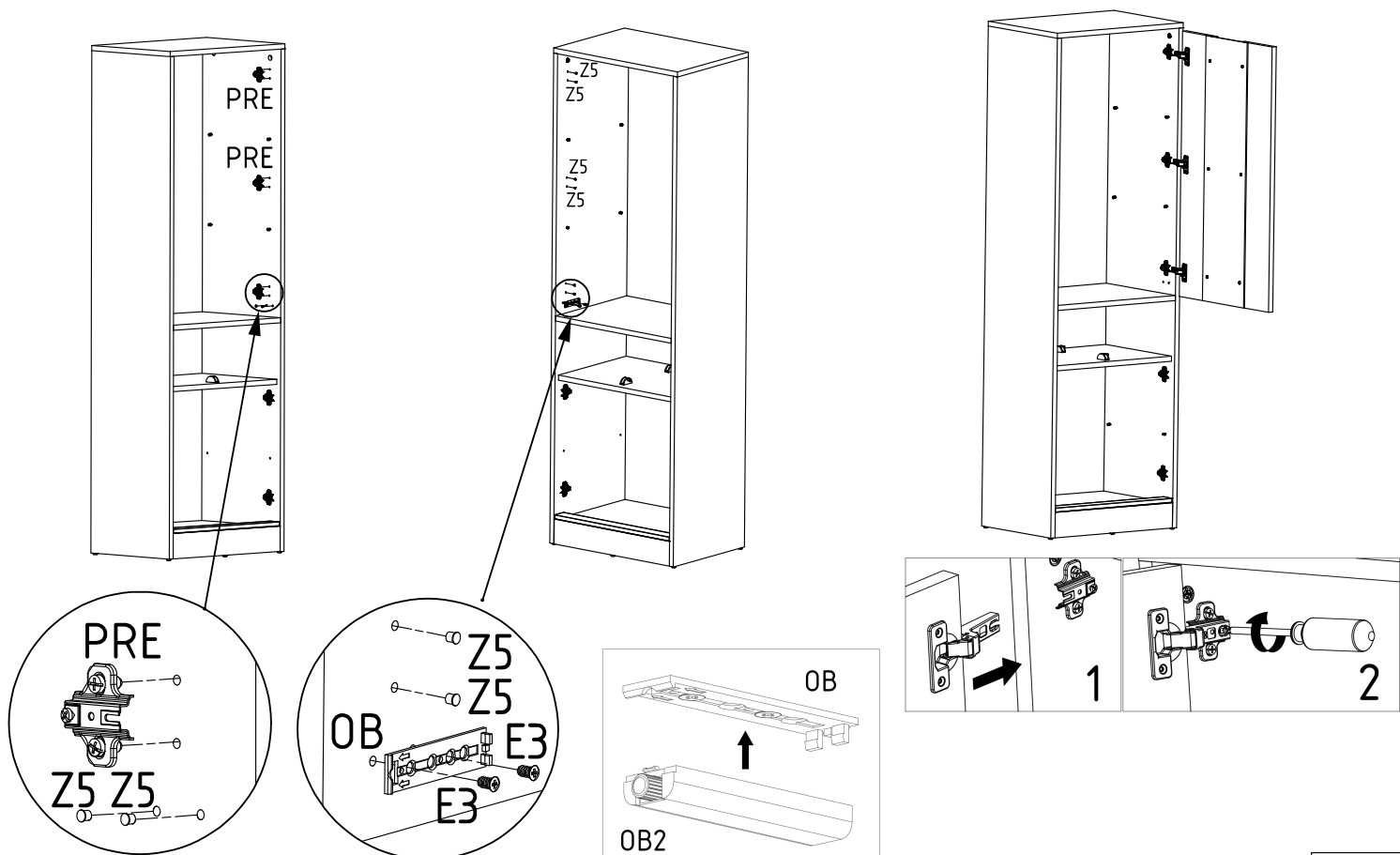
15.



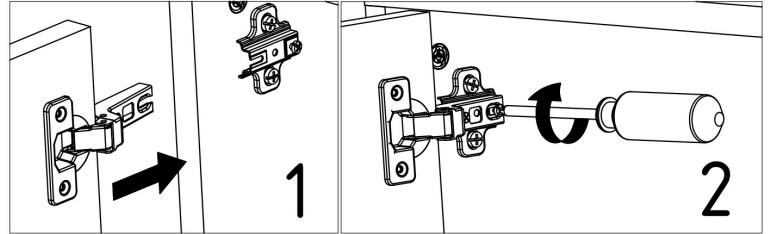
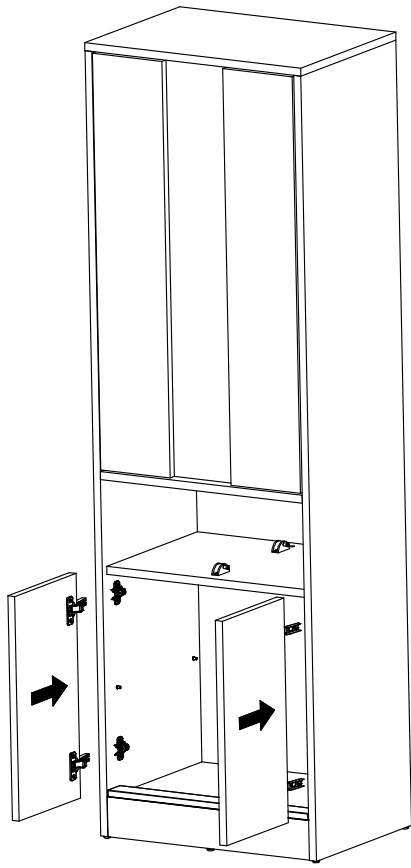
16. LEFT



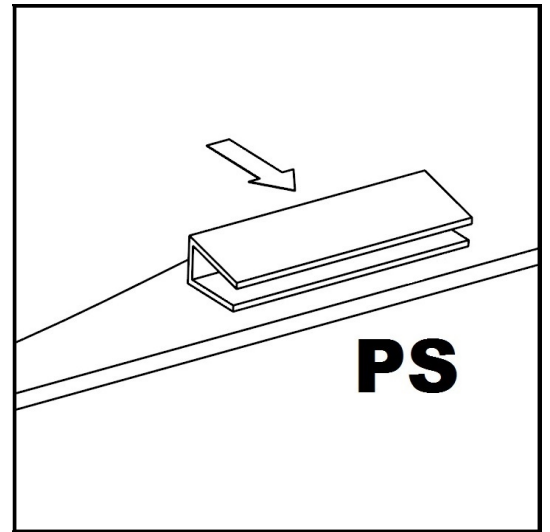
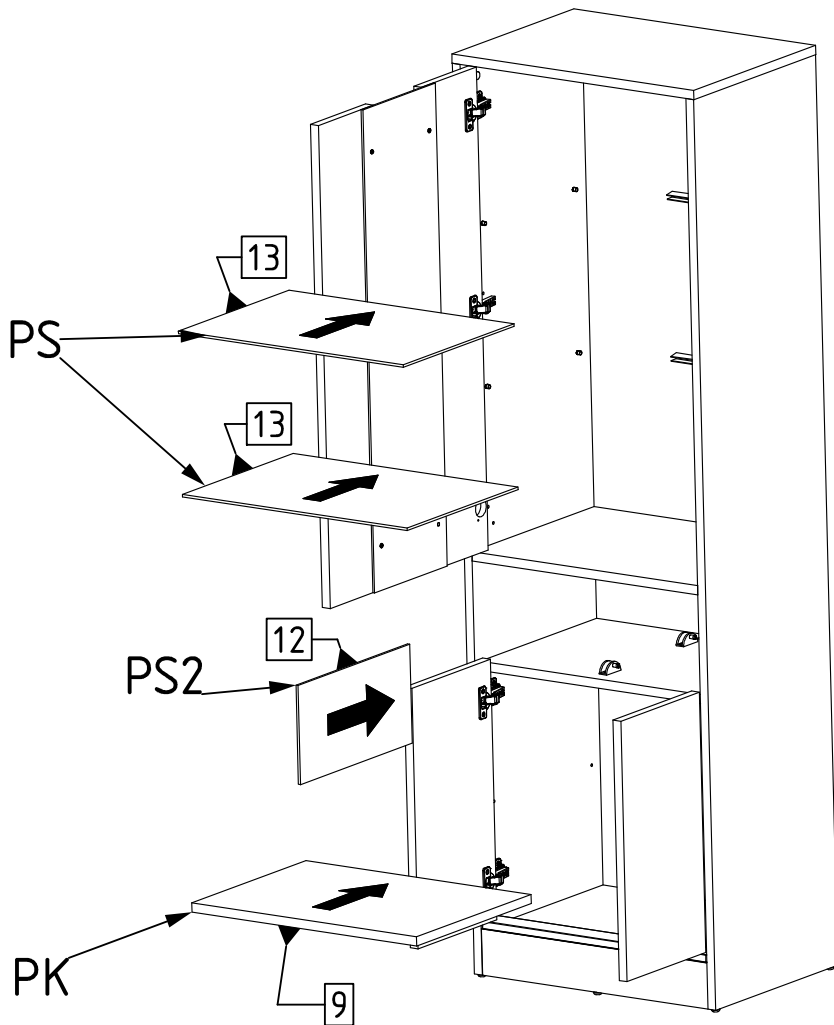
17. RIGHT



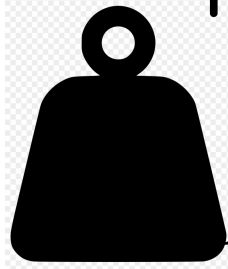
18.



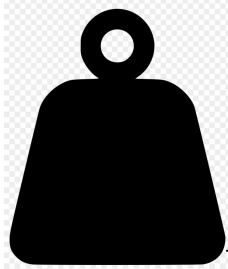
19.



20.



max.
5kg



max.
10kg

