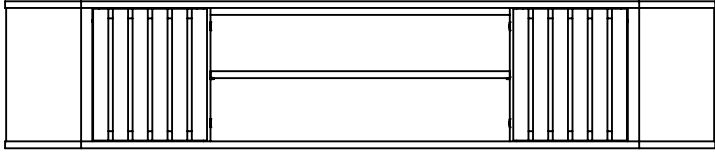


Circulo

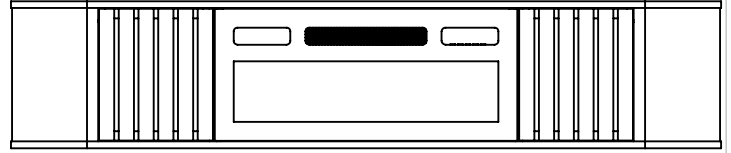
F19



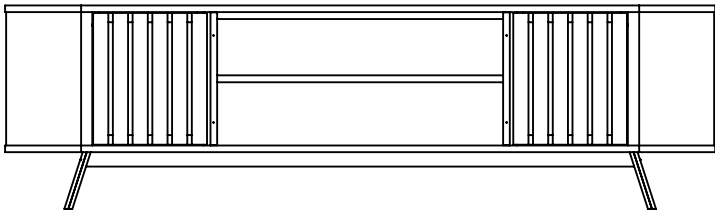
Variant 1



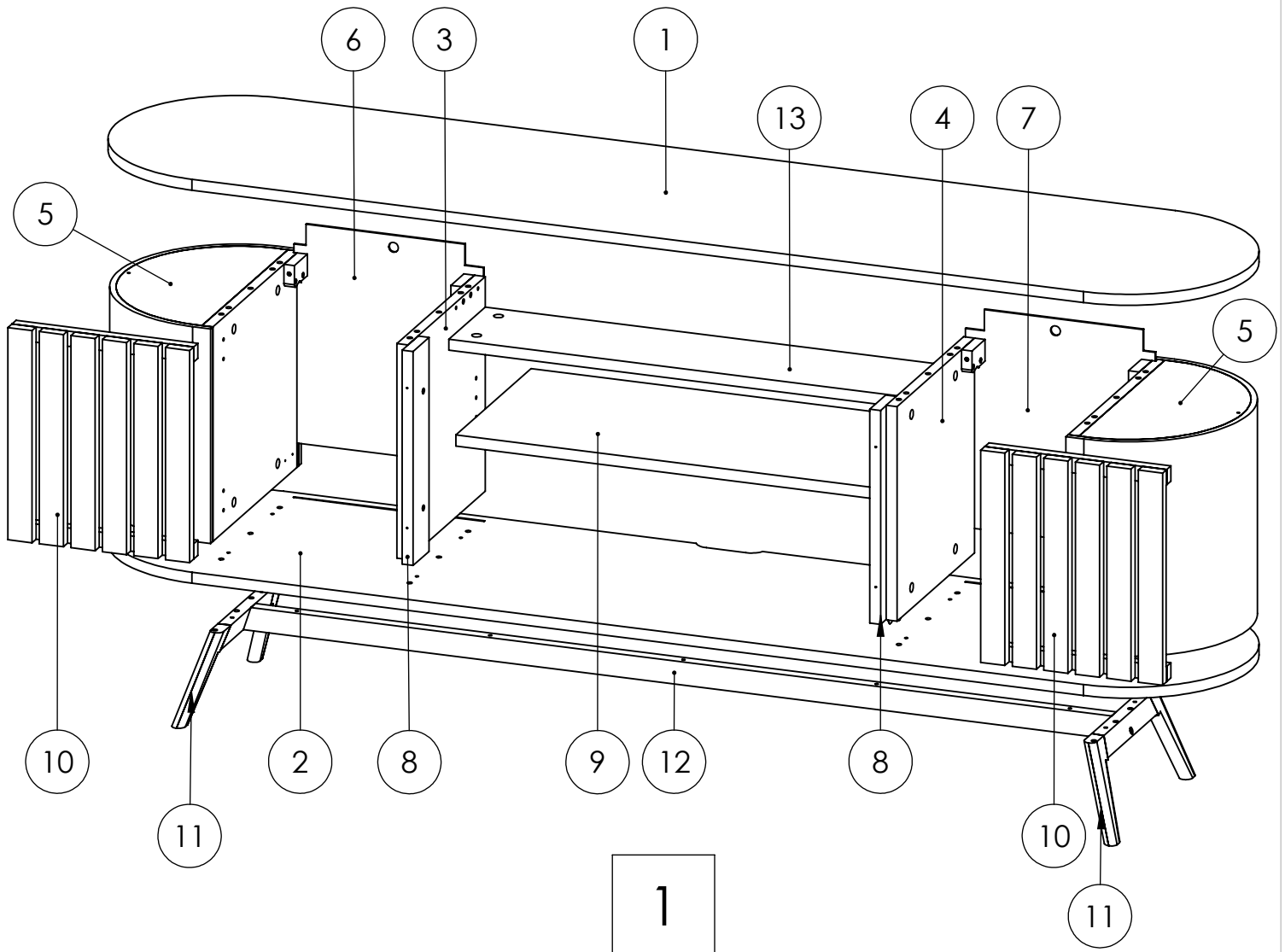
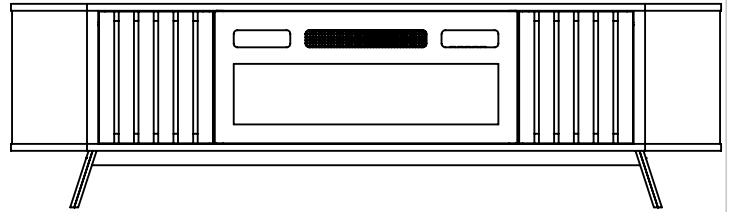
Variant 2

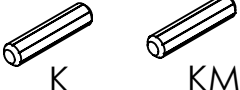


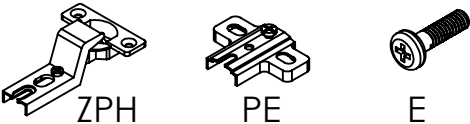






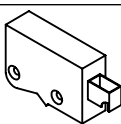



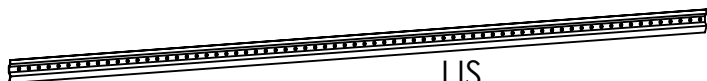


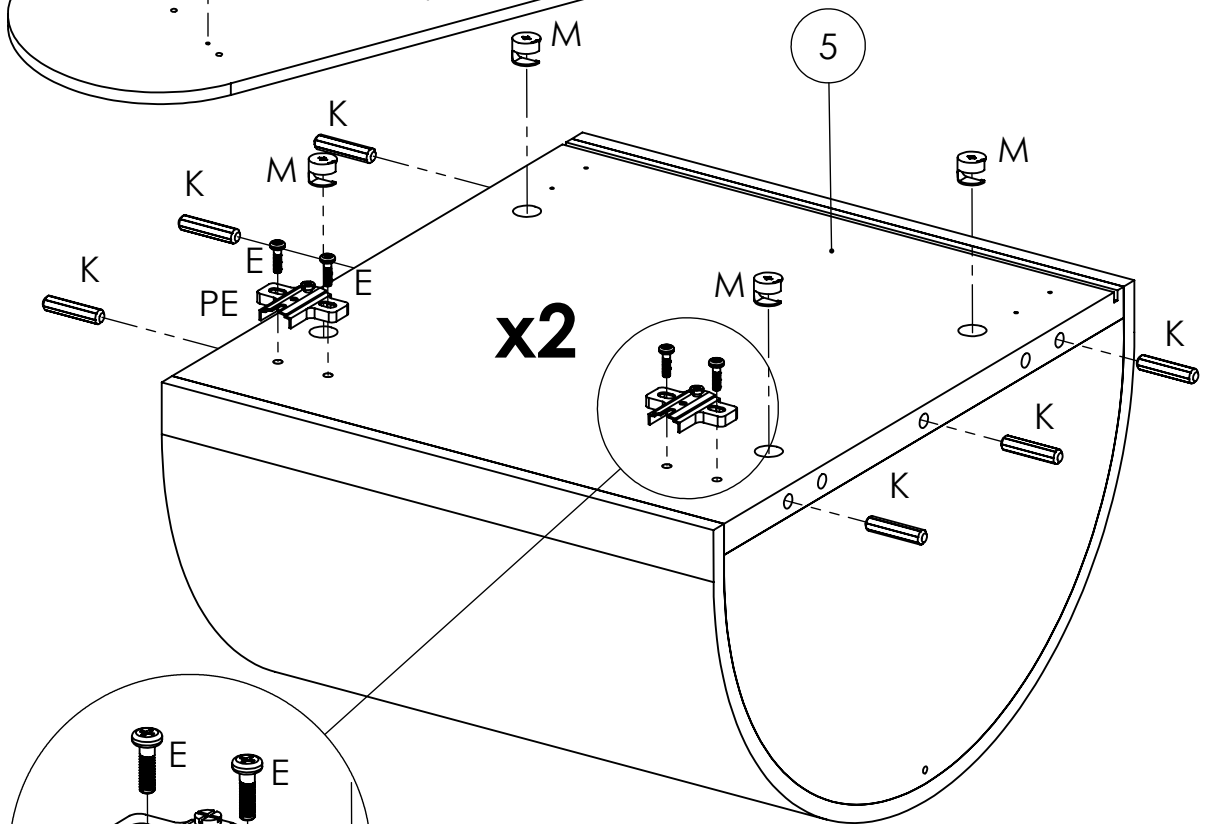
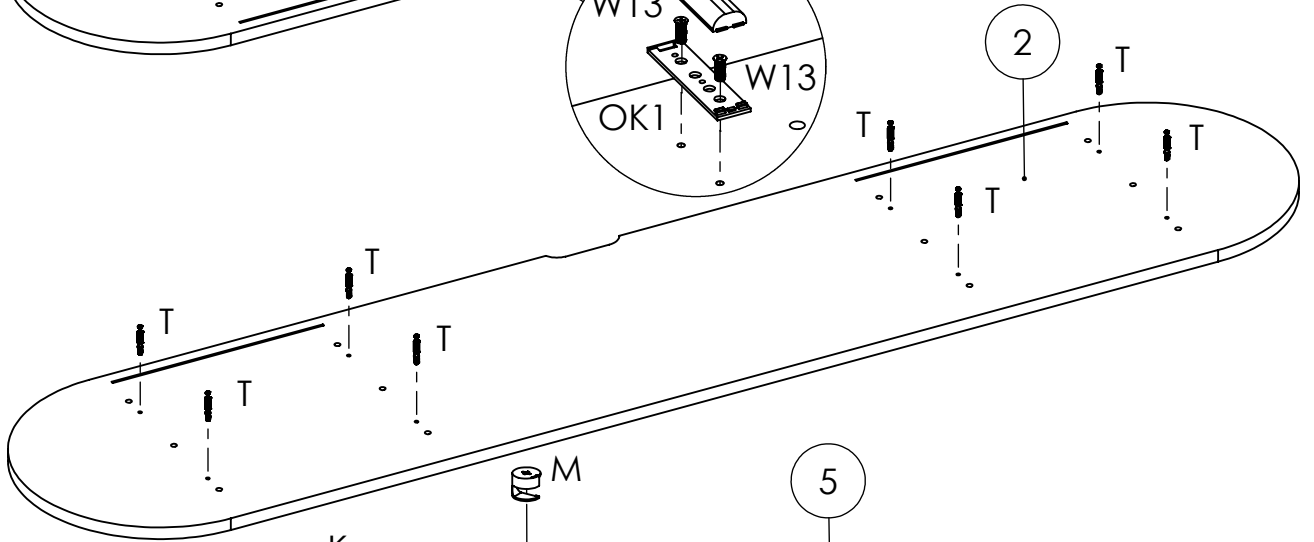
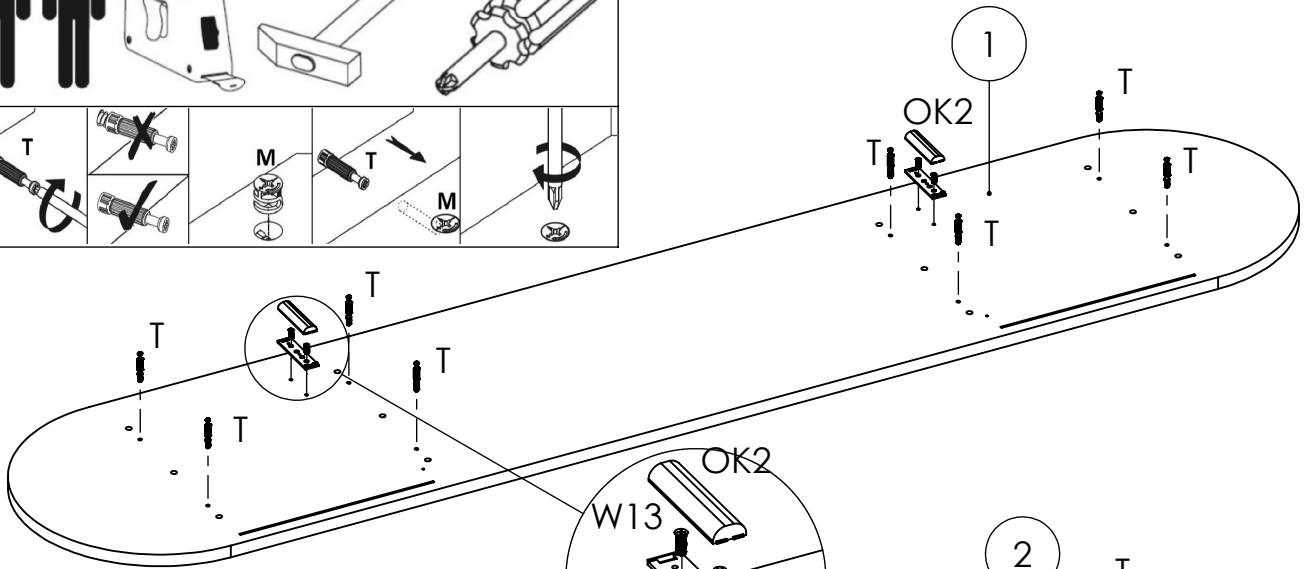
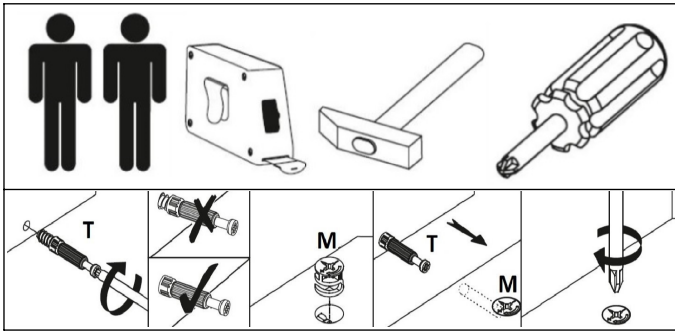
Variant 3



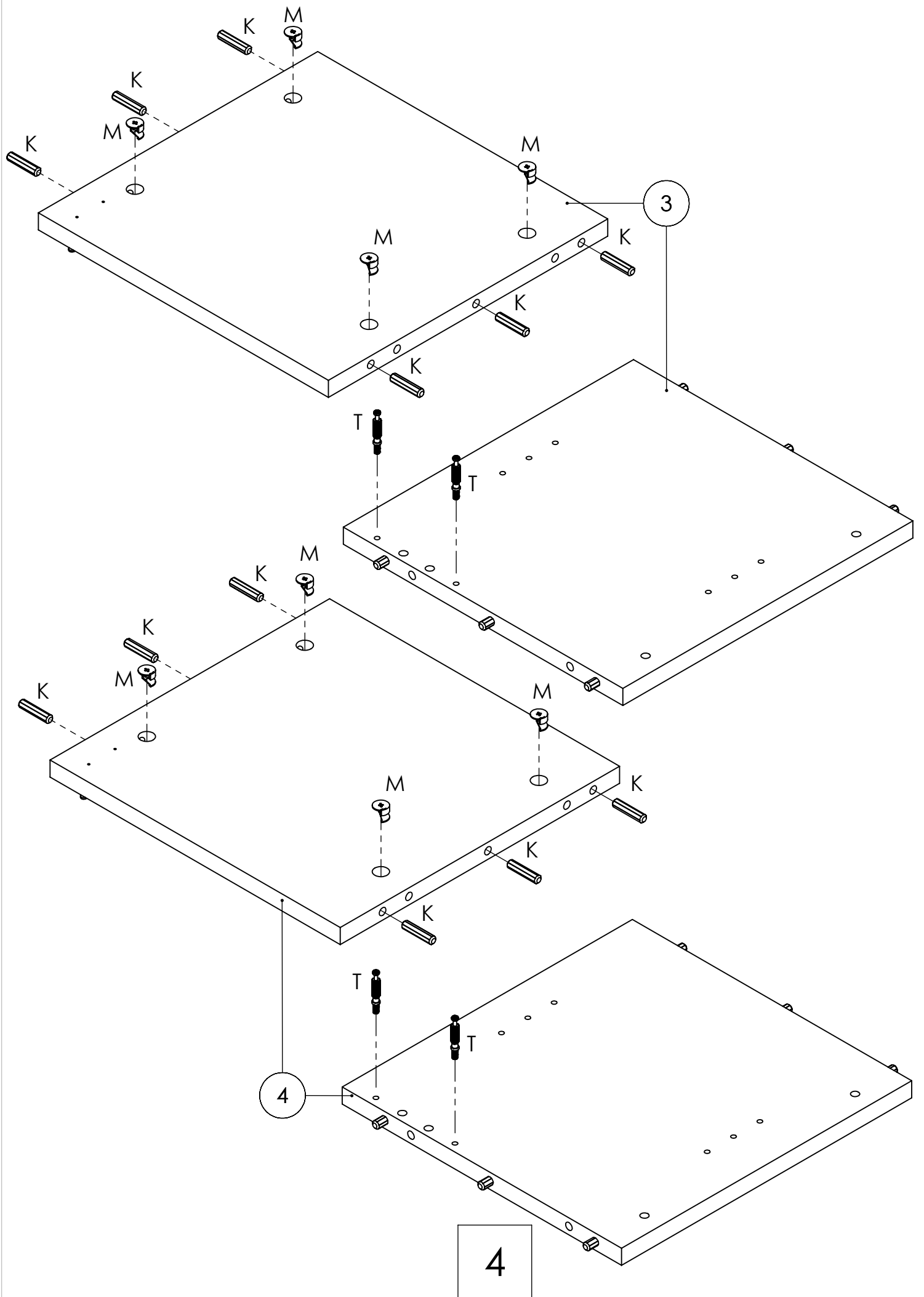
Variant 4

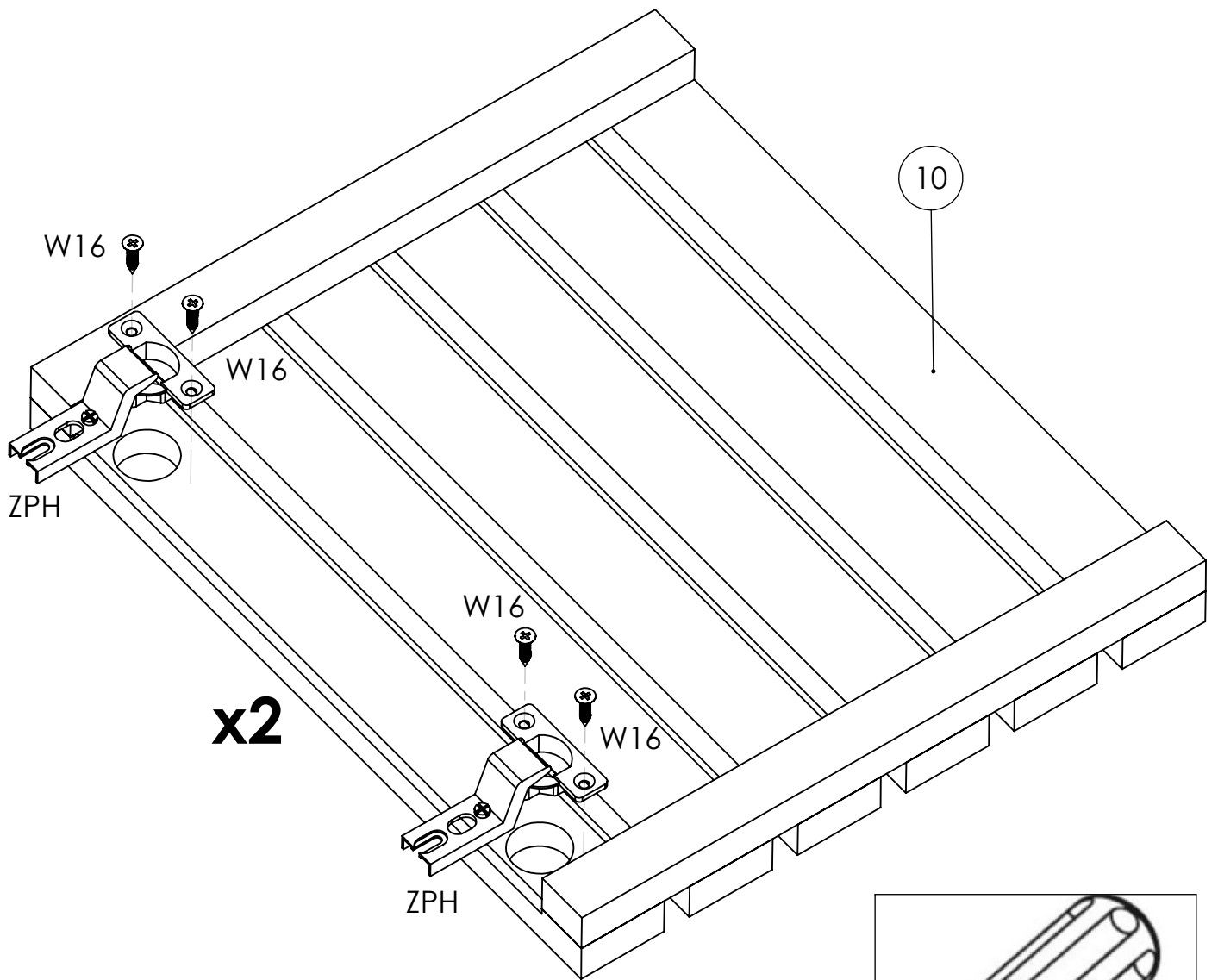
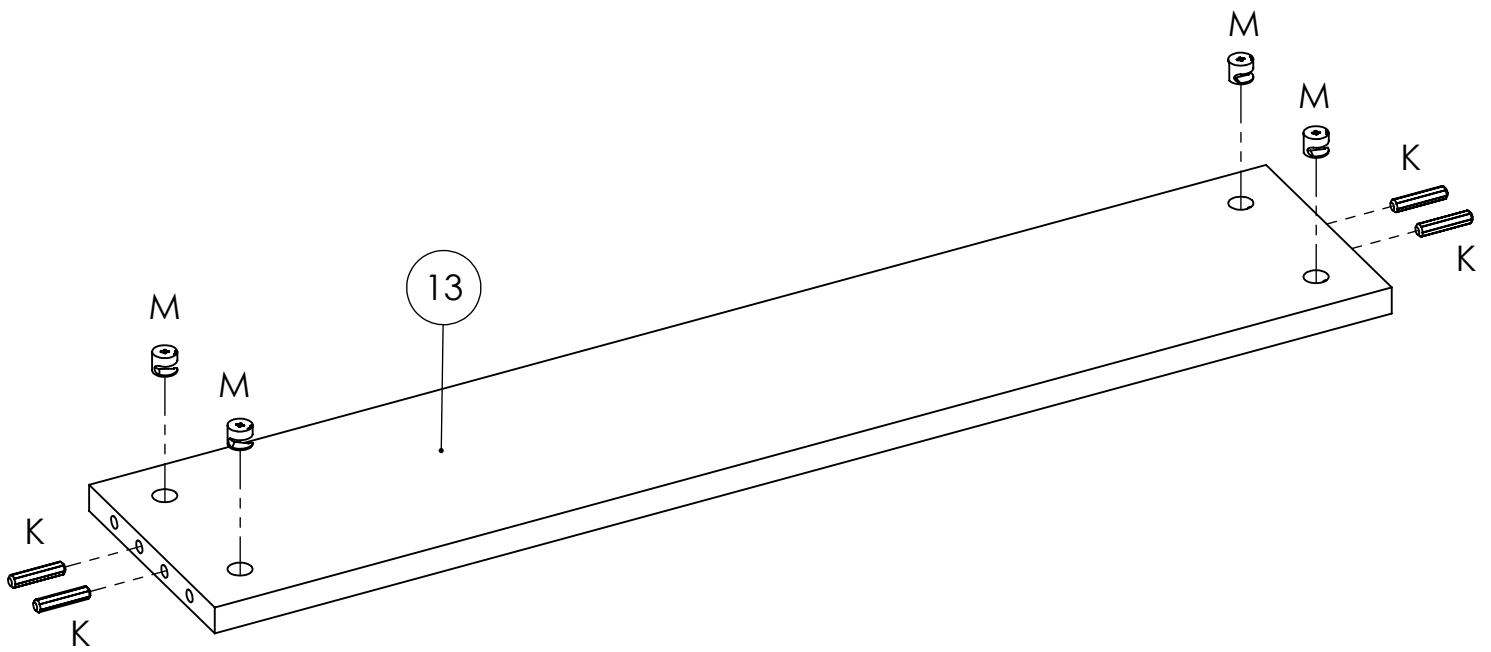


1	 K KM	K-35 KM-4
2	 KN W50 A1	KN-2 K50-9 A1-1
3	 Z ZK	Z-16 ZK-4
4	 ZPH PE E	ZPH-4 PE-4 E-8
5	 W16	W16-8
6	 OK1 OK2 W13	OK1-2 OK2-2 W13-4
7	 M T	M-20 T-20
8	 PP	PP-4
9	 KT WW16 KRM WW45	KT-2 WW16-2 KRM-2 WW45-2
10	 W30	W30-8
11	 ZAW	ZAW-4
12	 W30	W30-4
13	 G	G-10
14	 KR	KR-6
15	 LIS	LIS-1

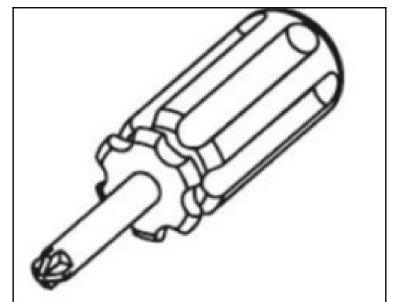


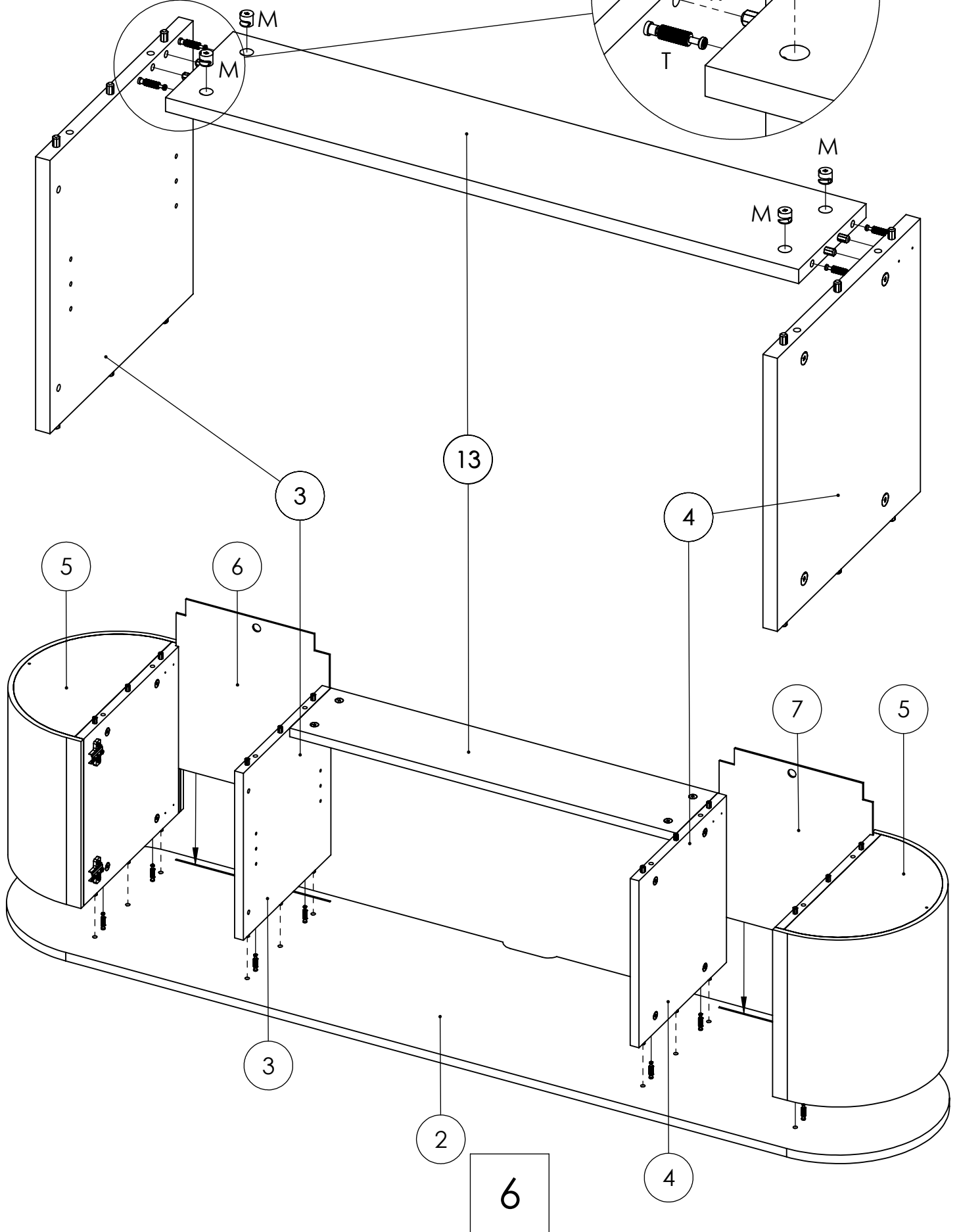
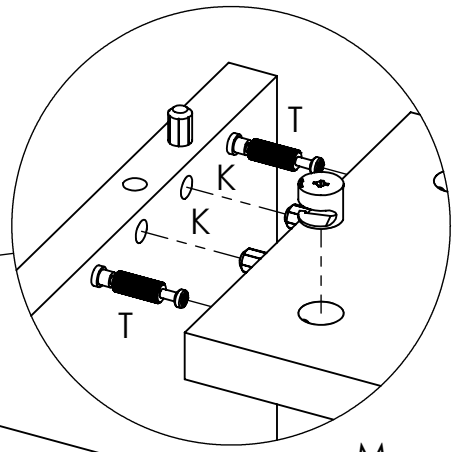
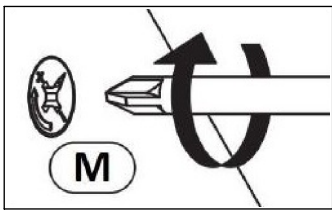
3



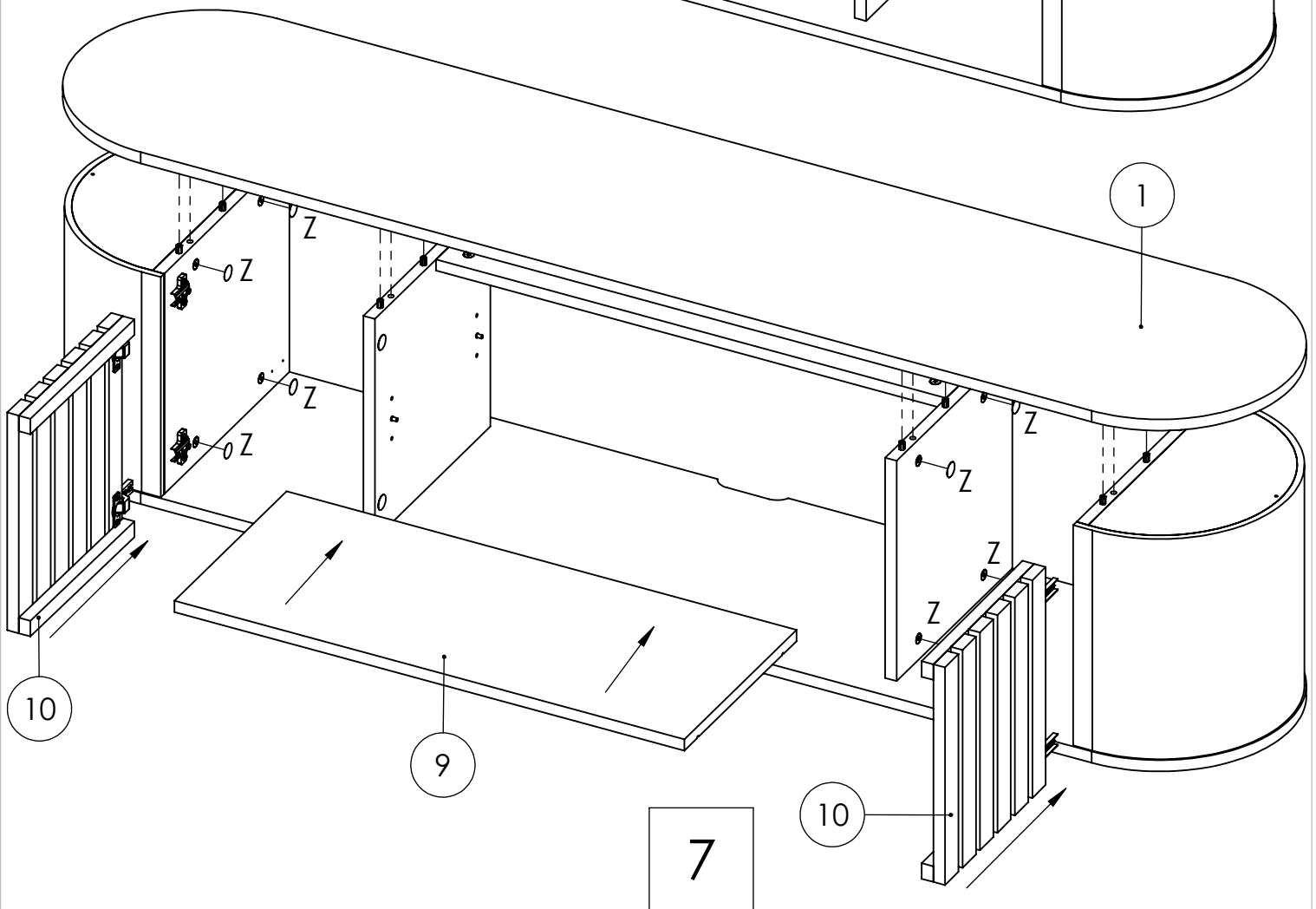
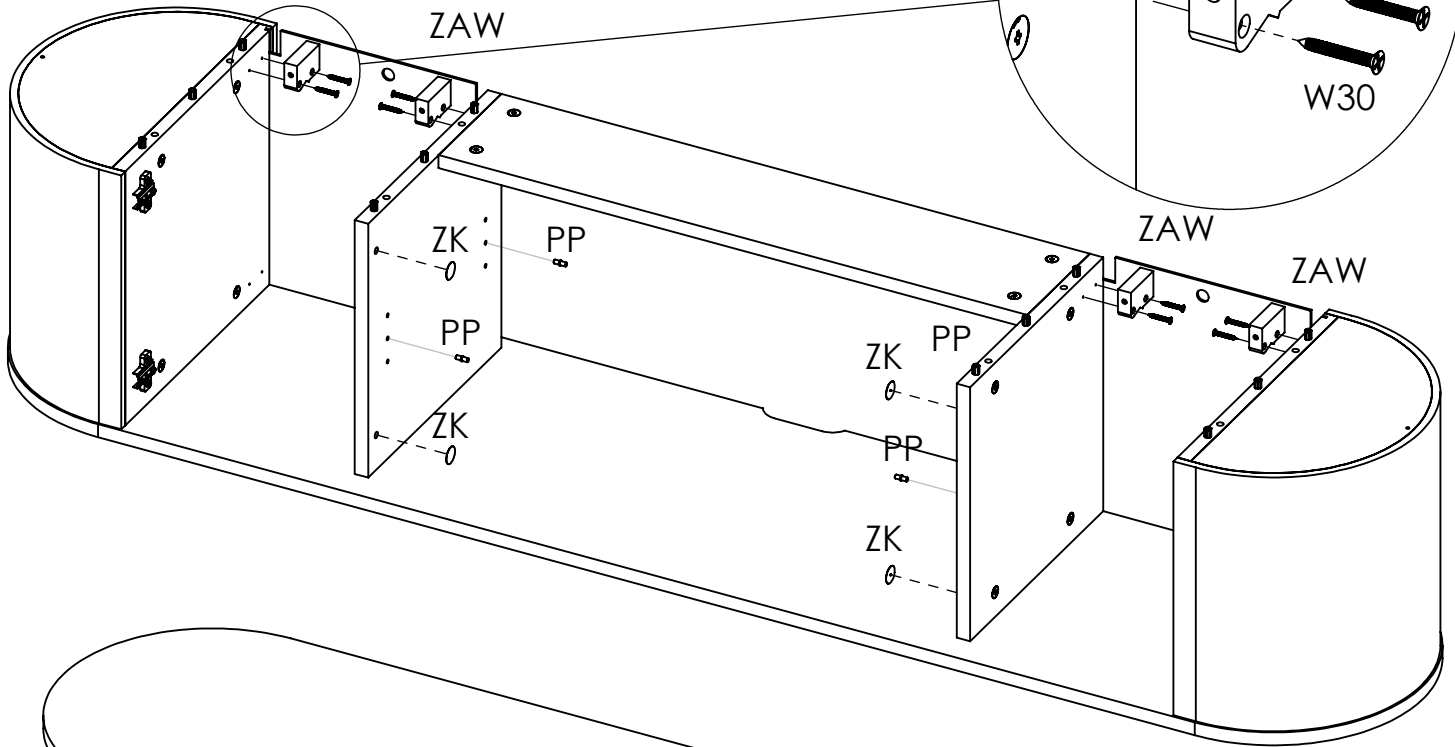
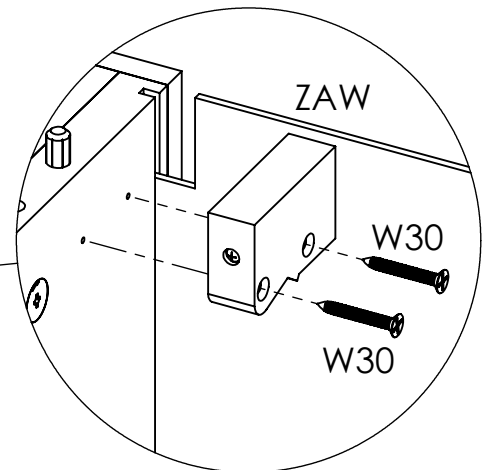
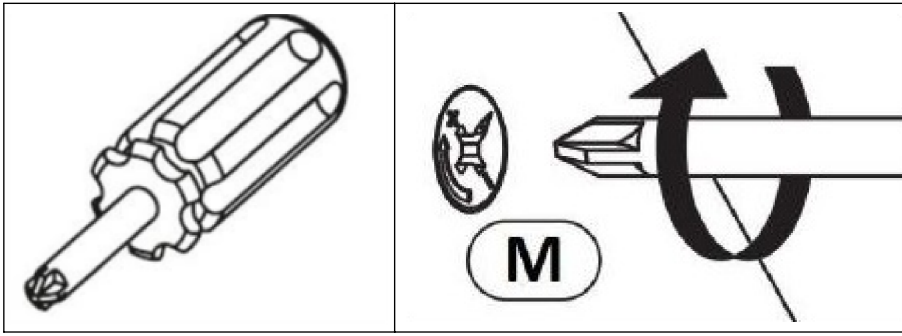


5

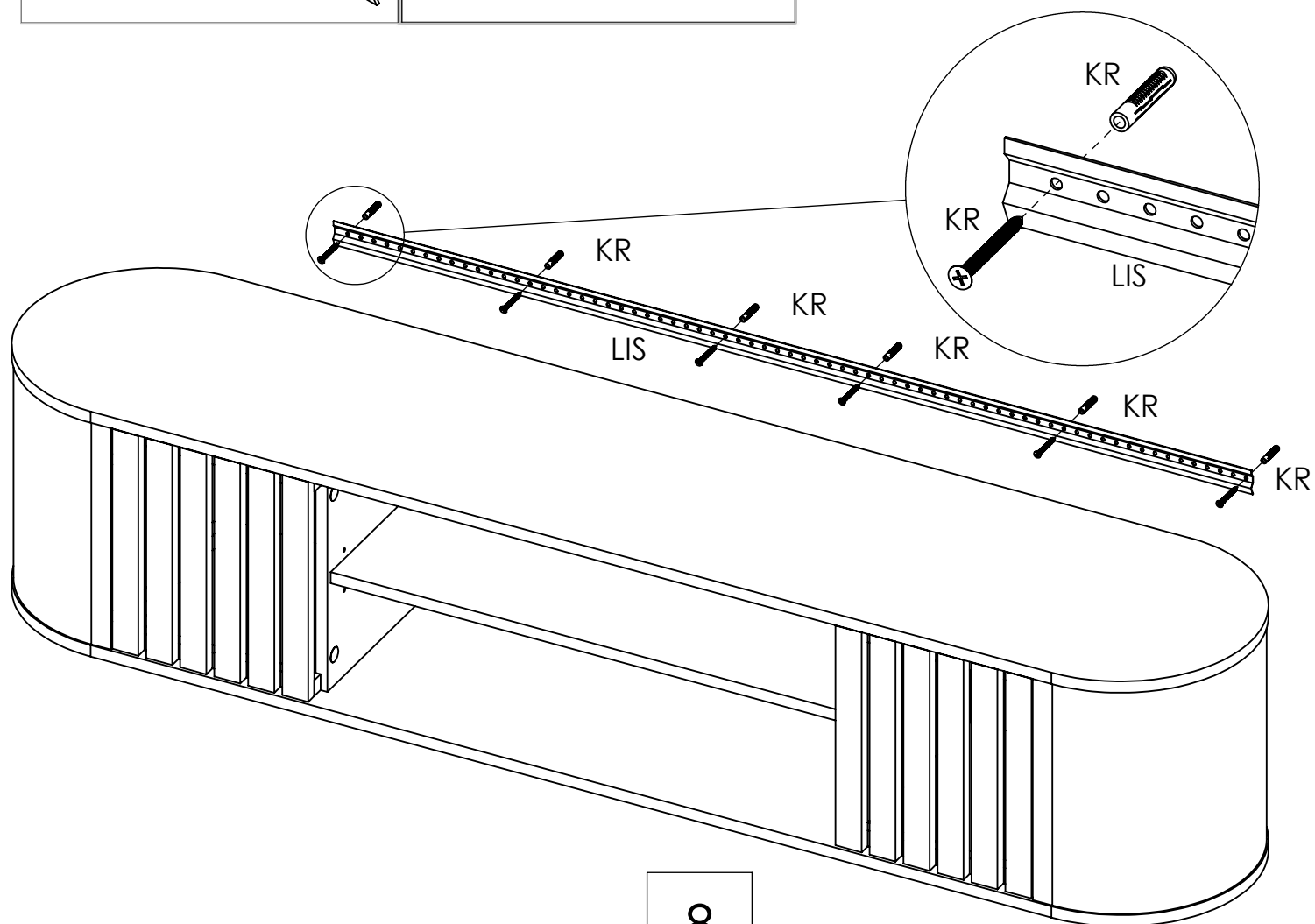
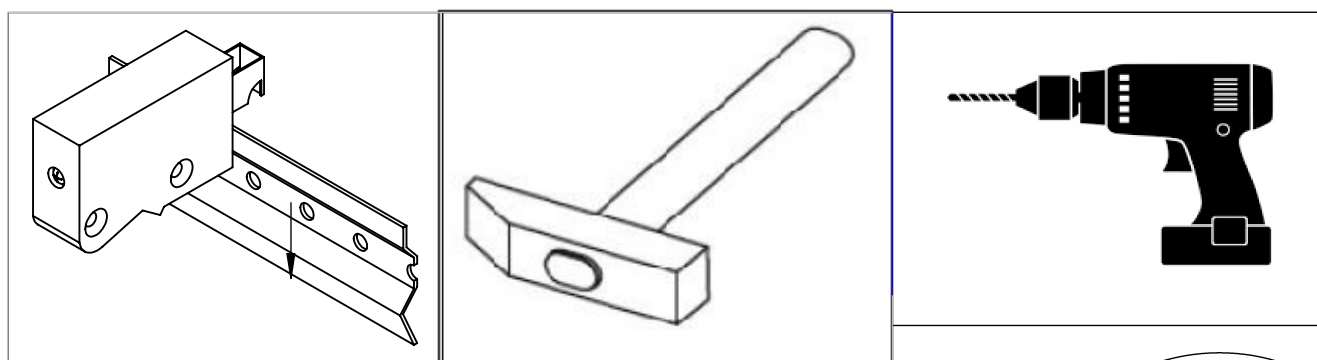
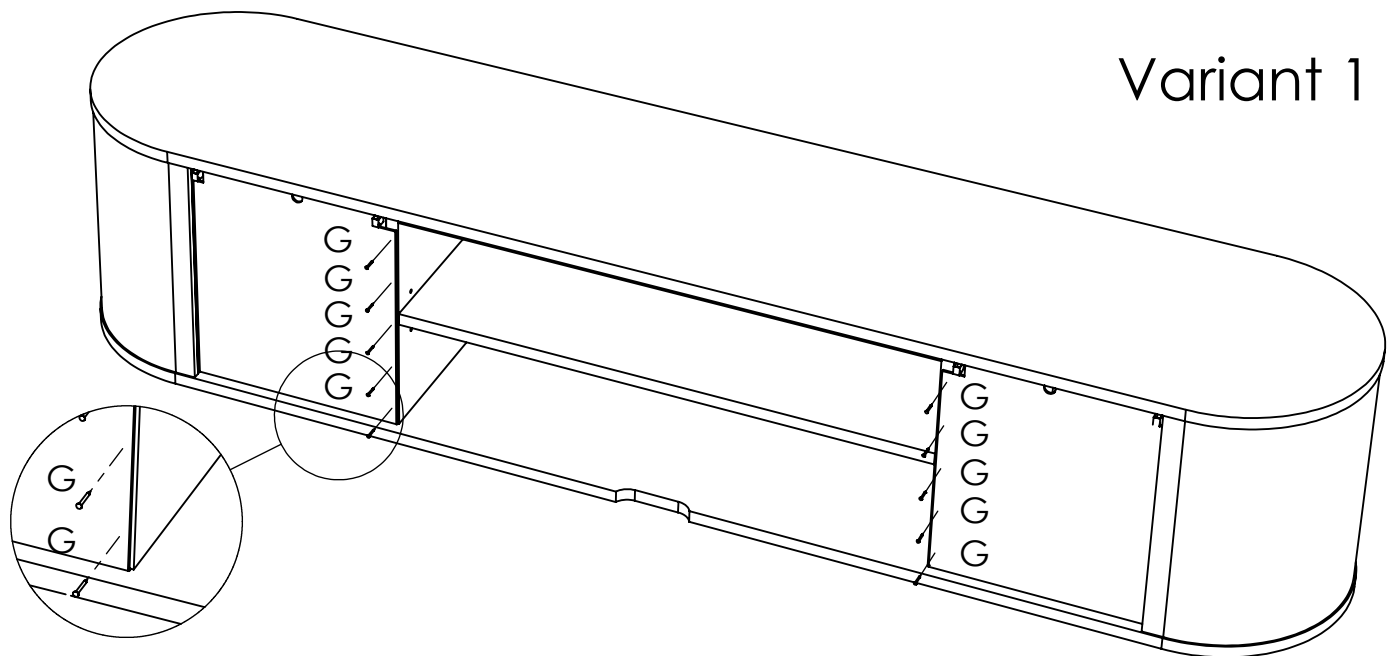




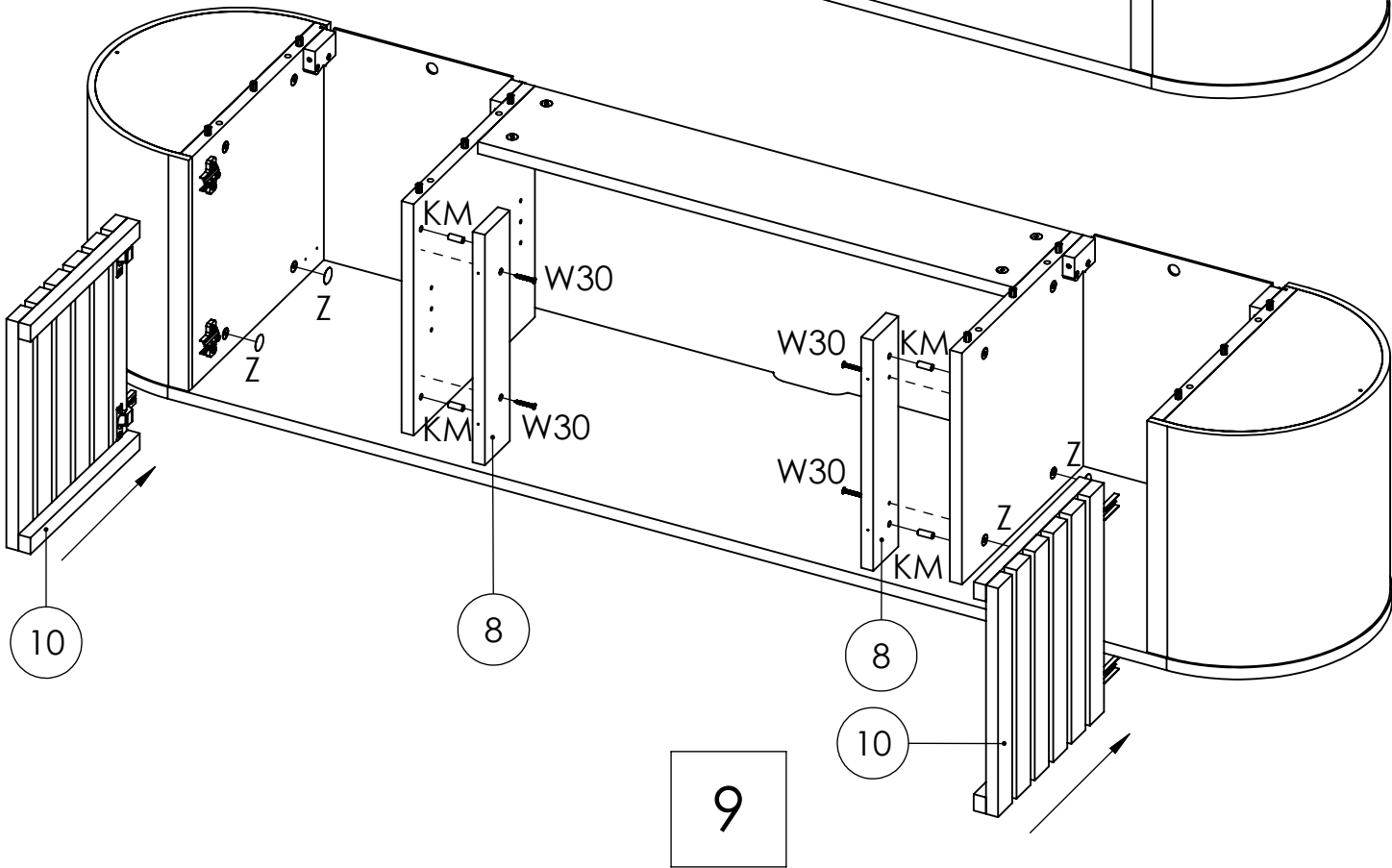
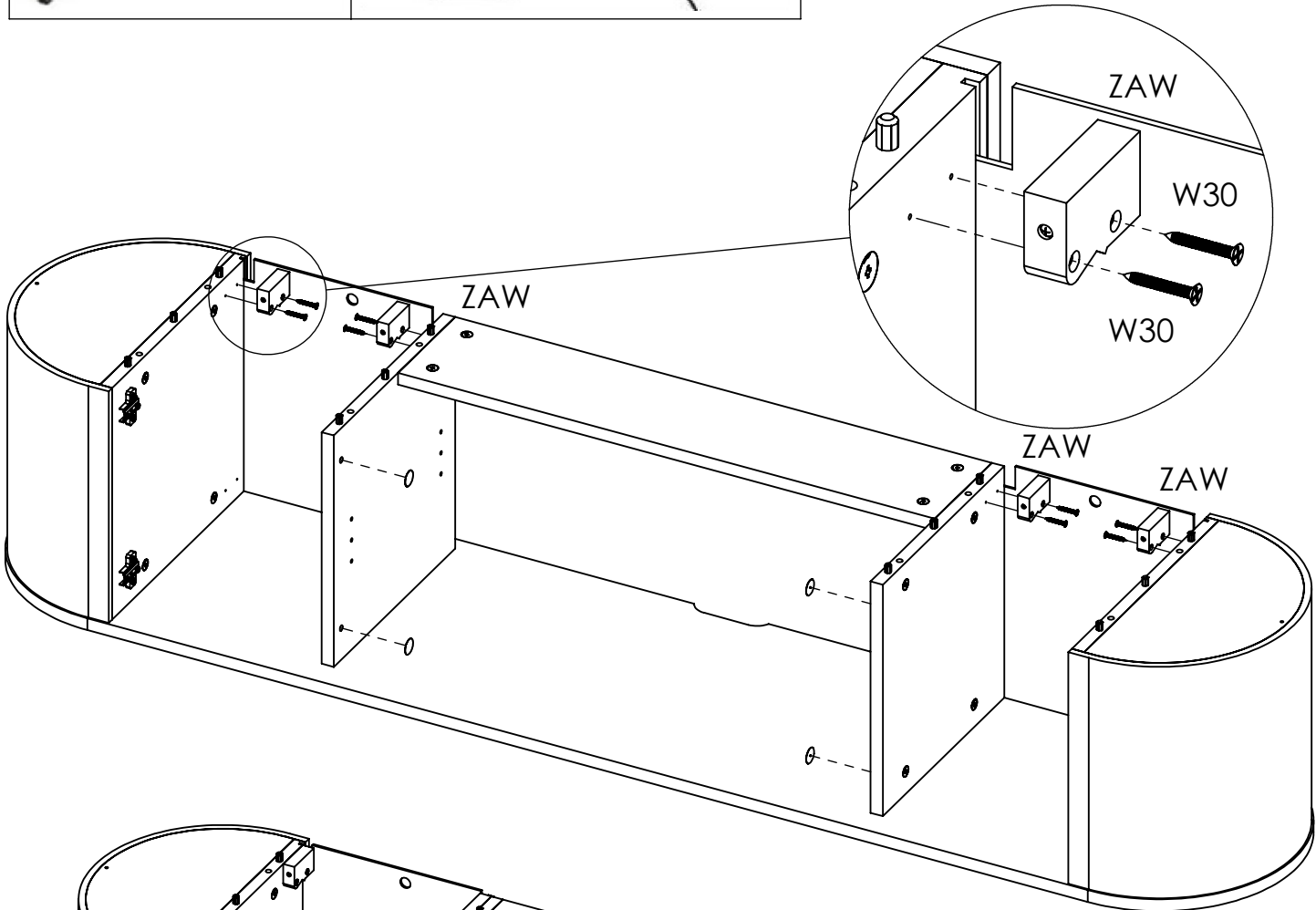
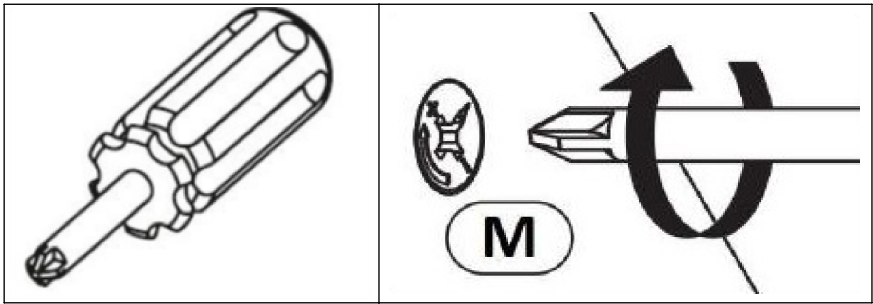
Variant 1



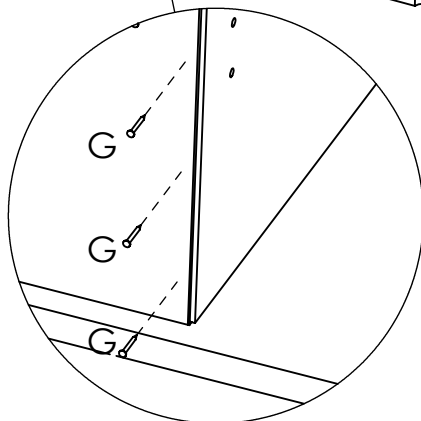
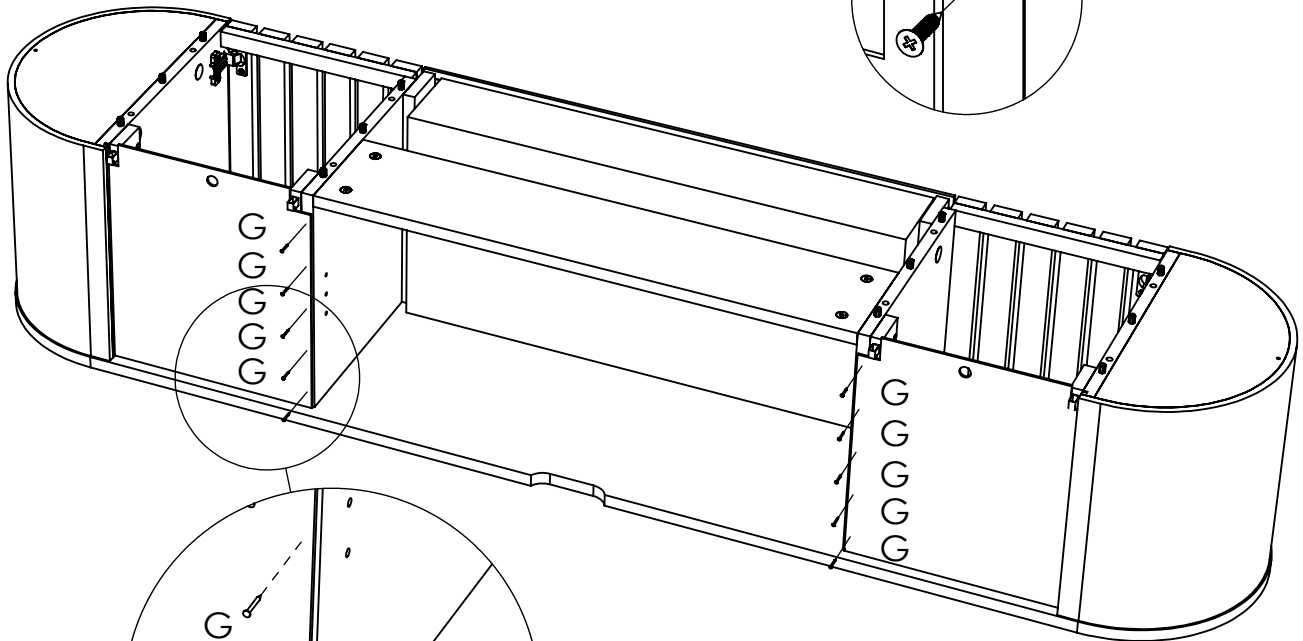
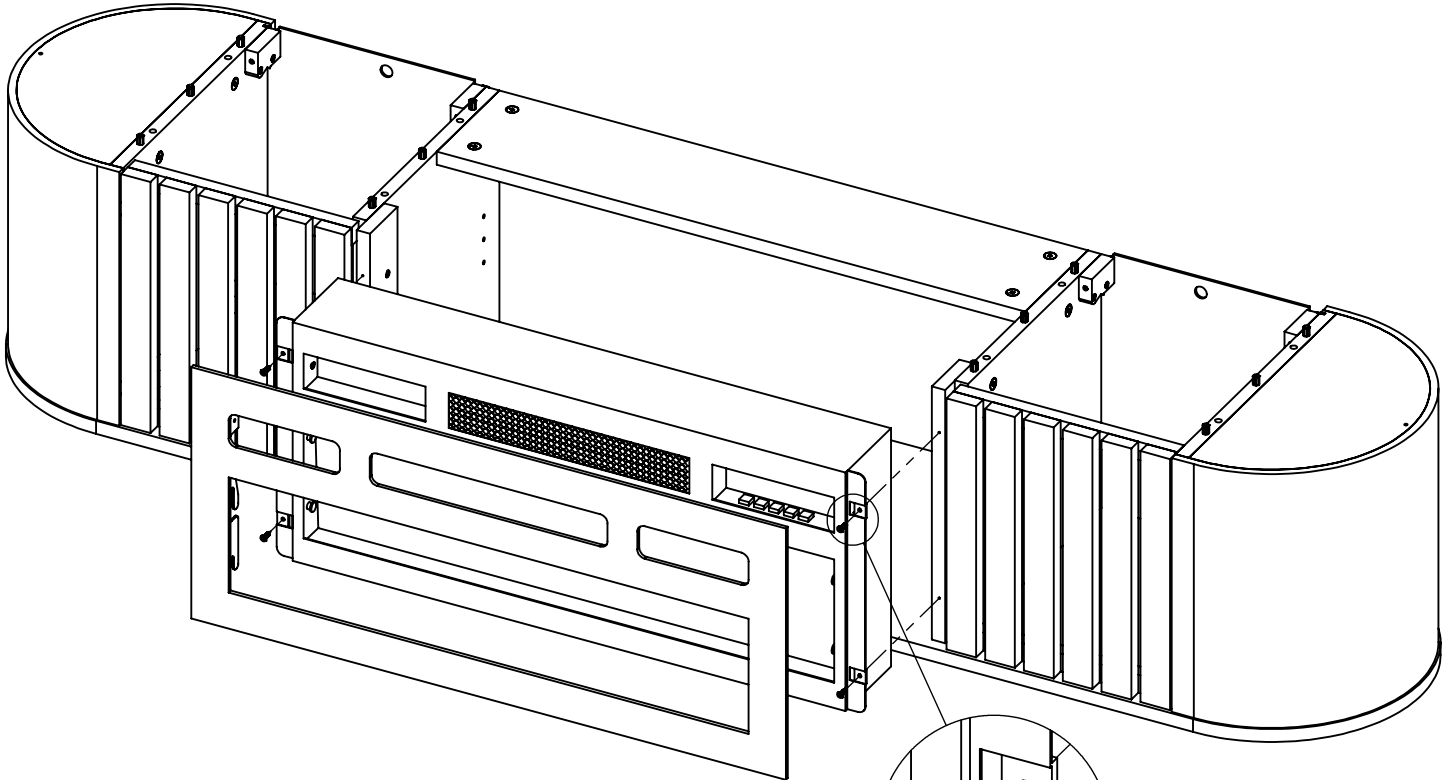
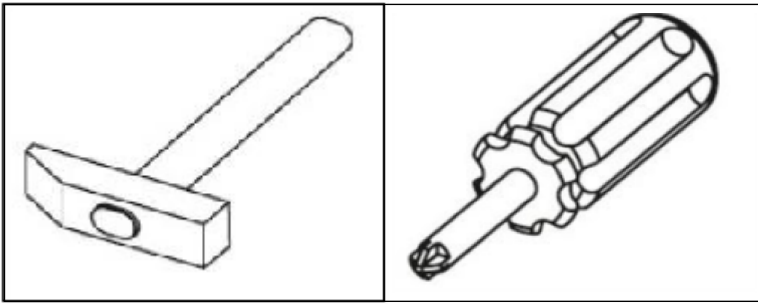
Variant 1



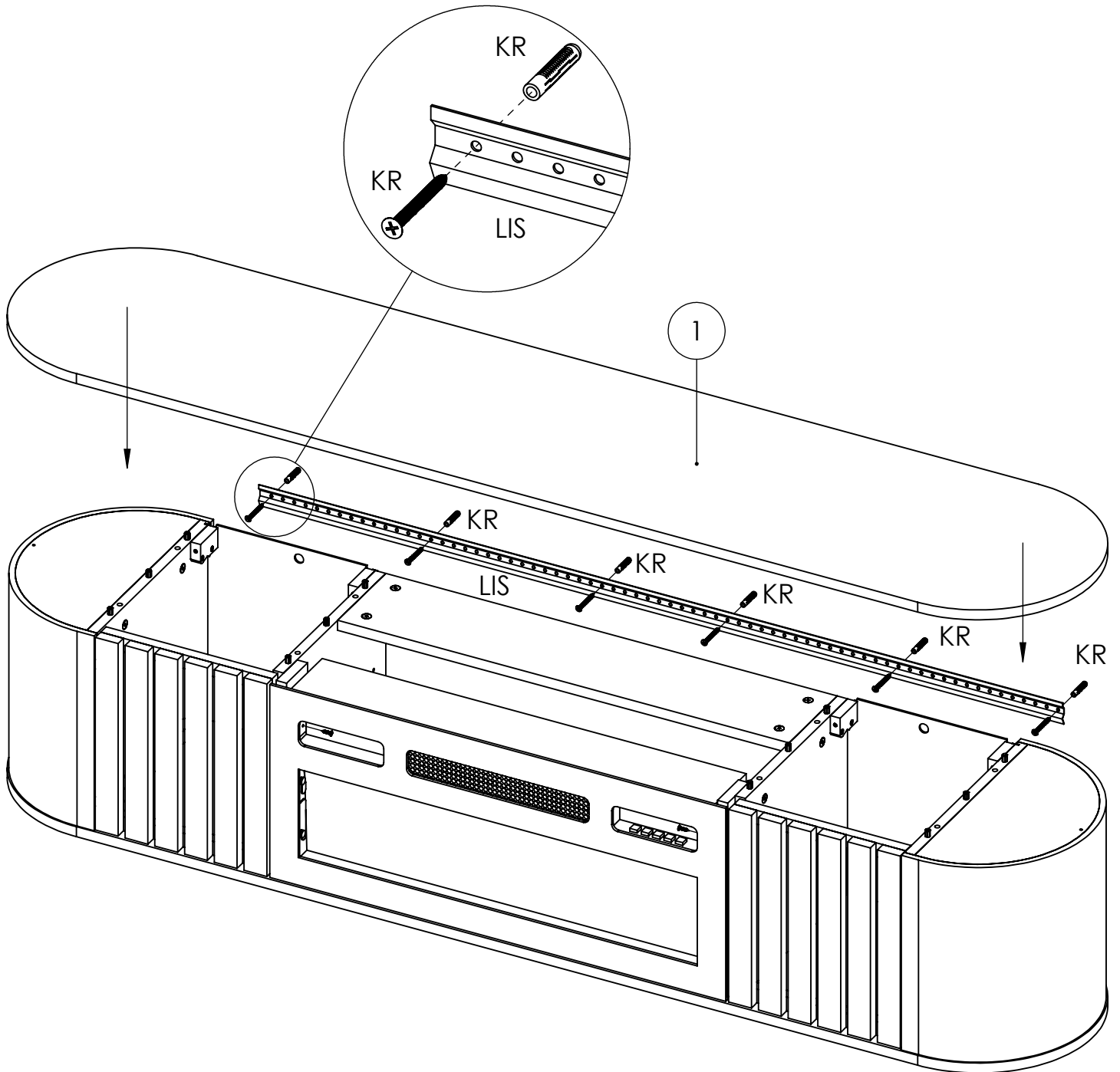
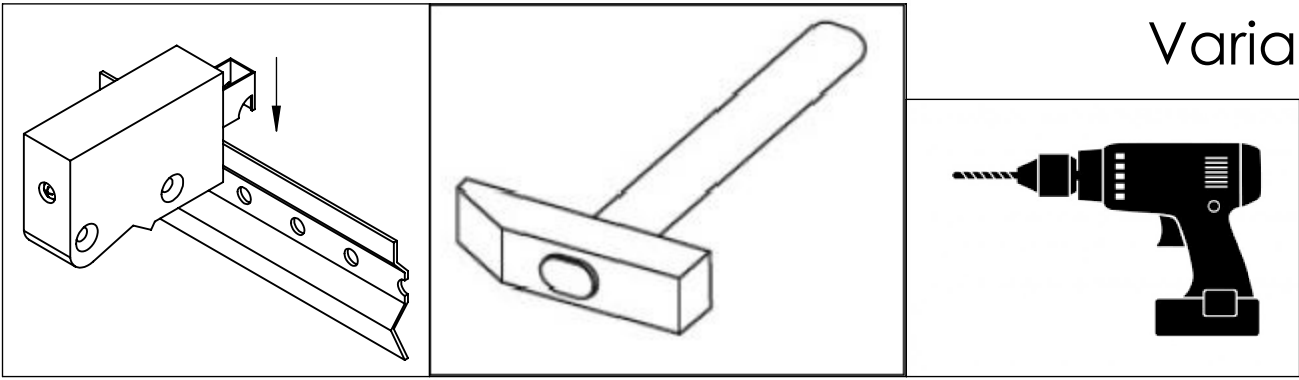
Variant 2



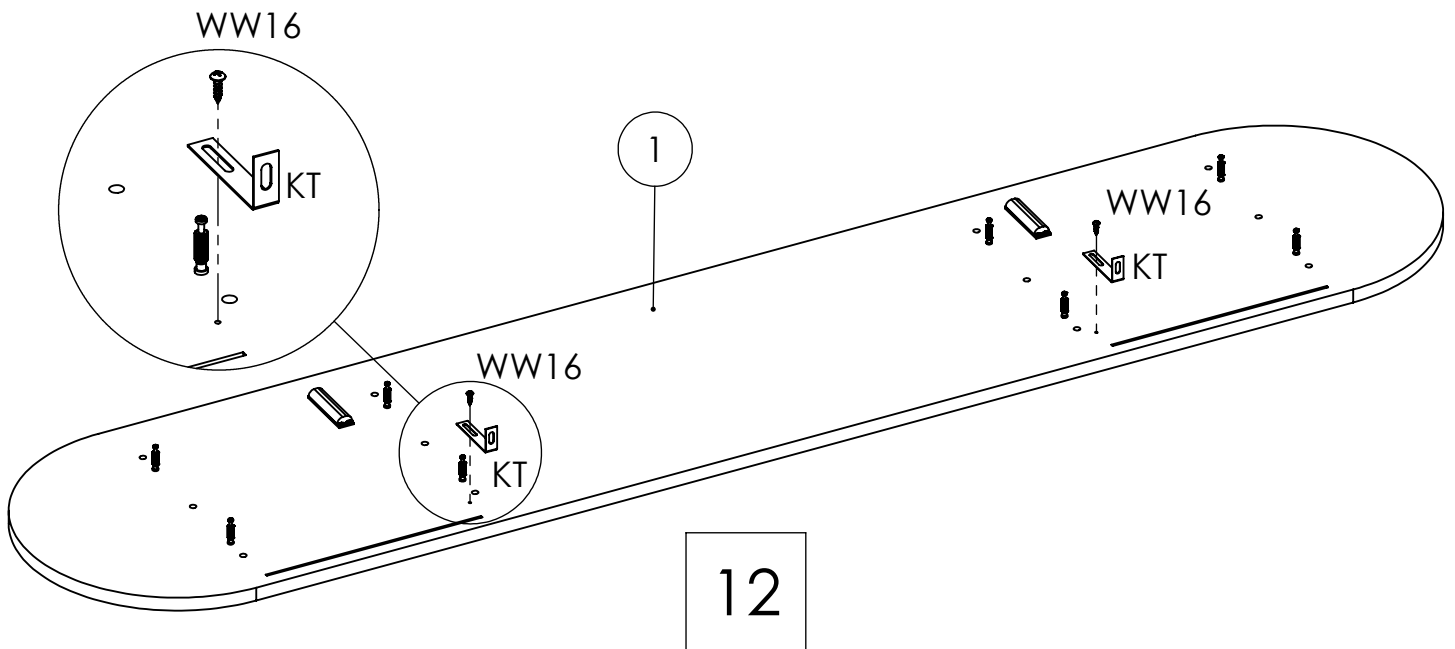
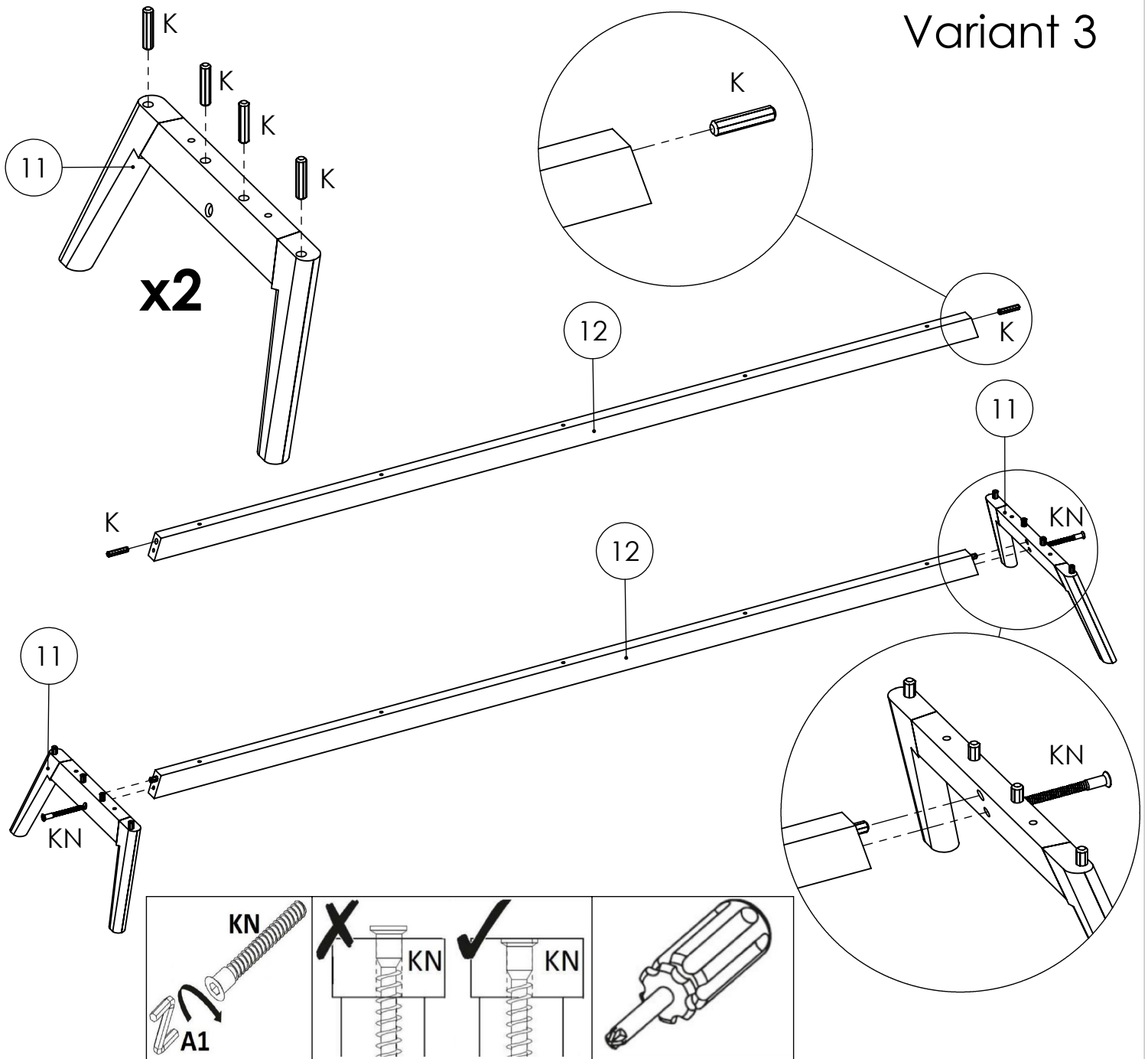
Variant 2



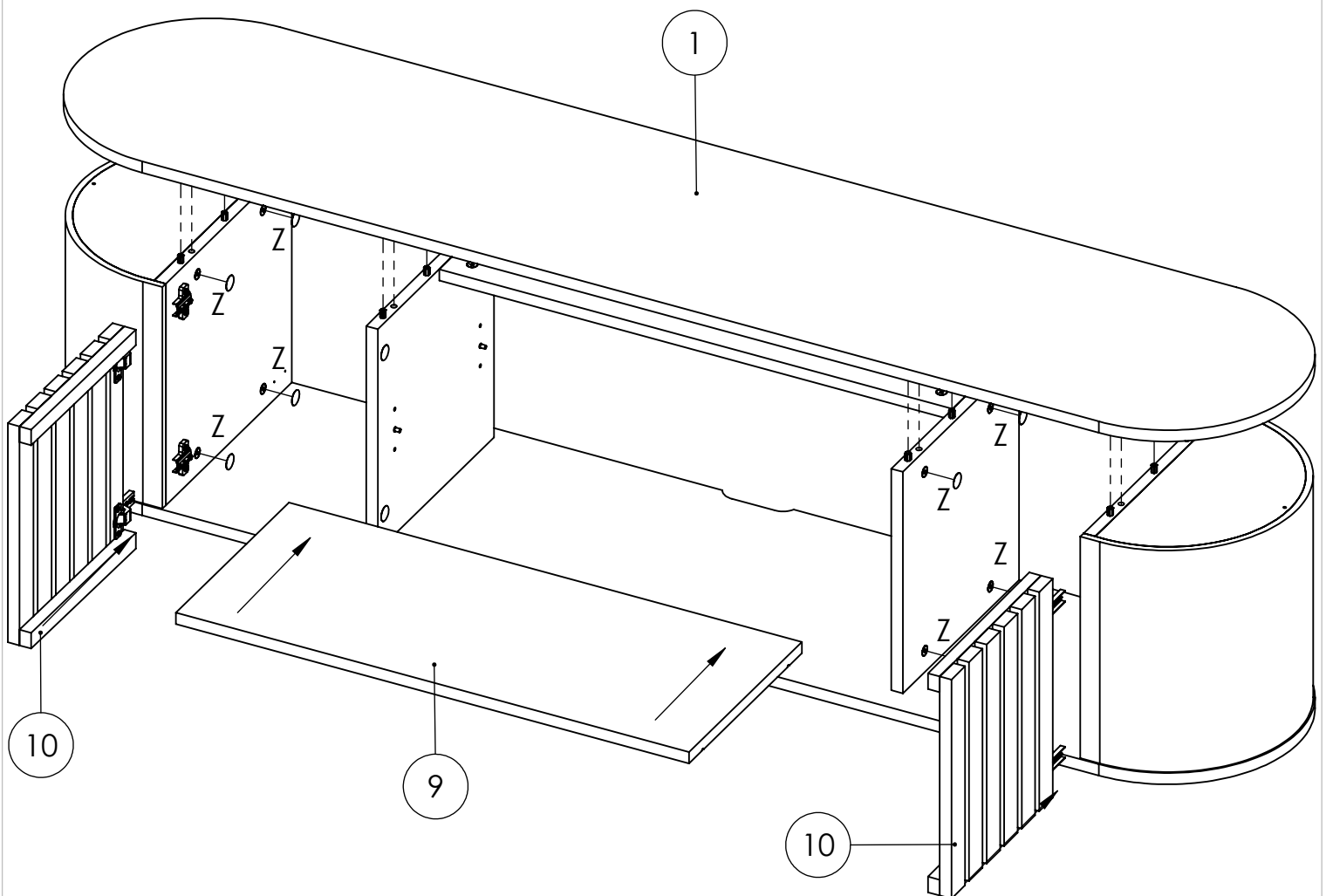
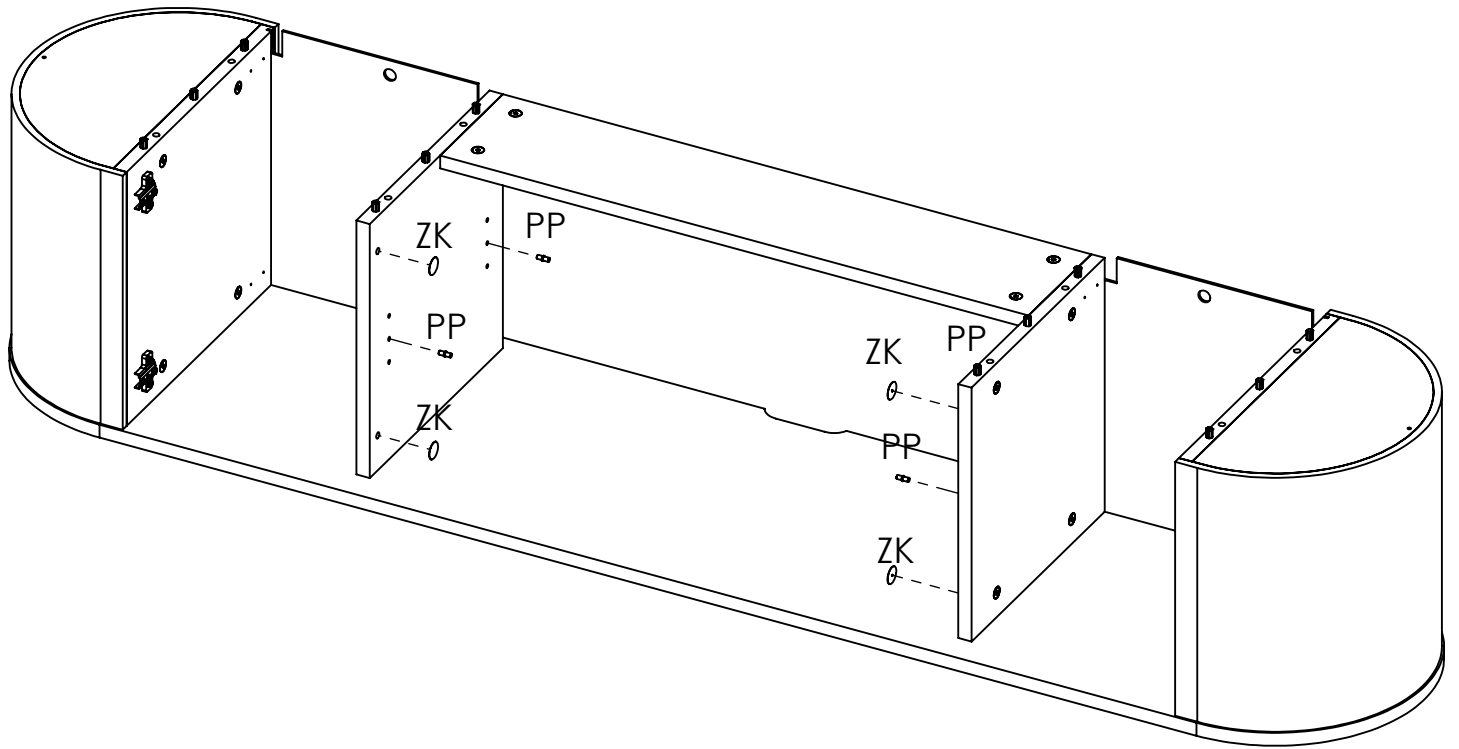
Variant 2



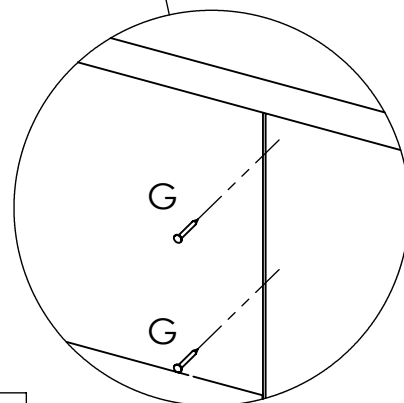
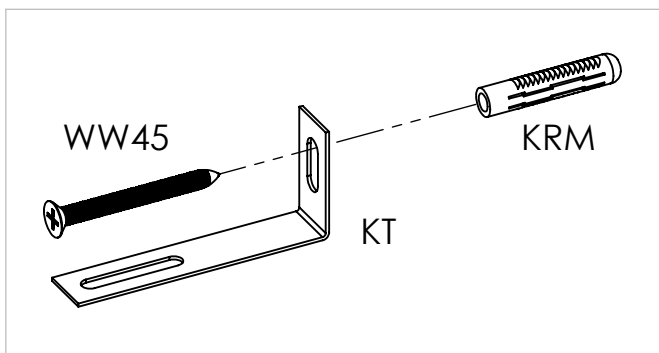
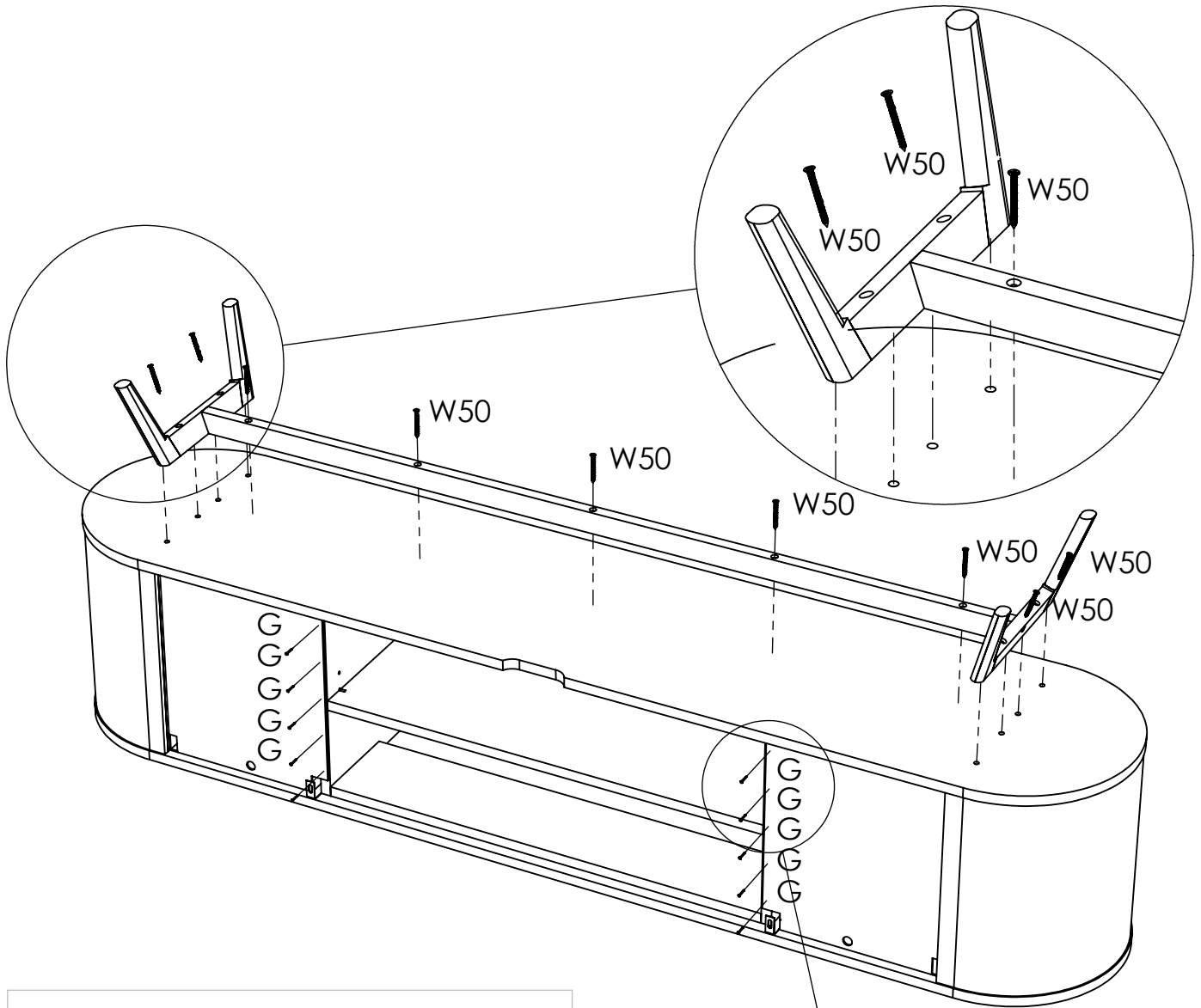
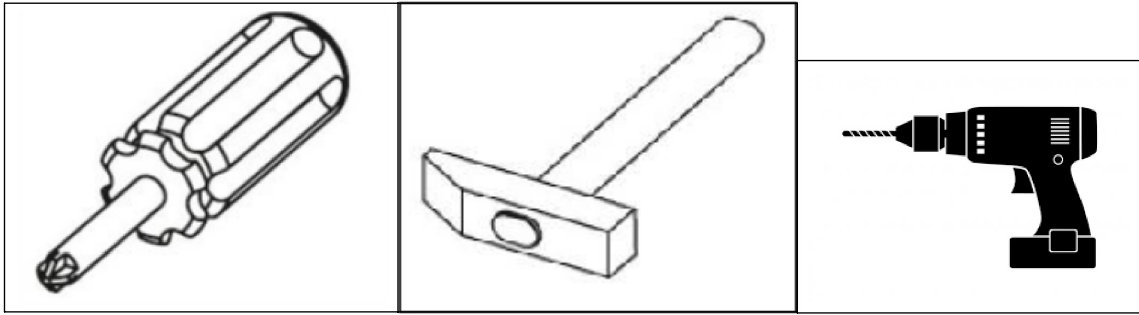
Variant 3



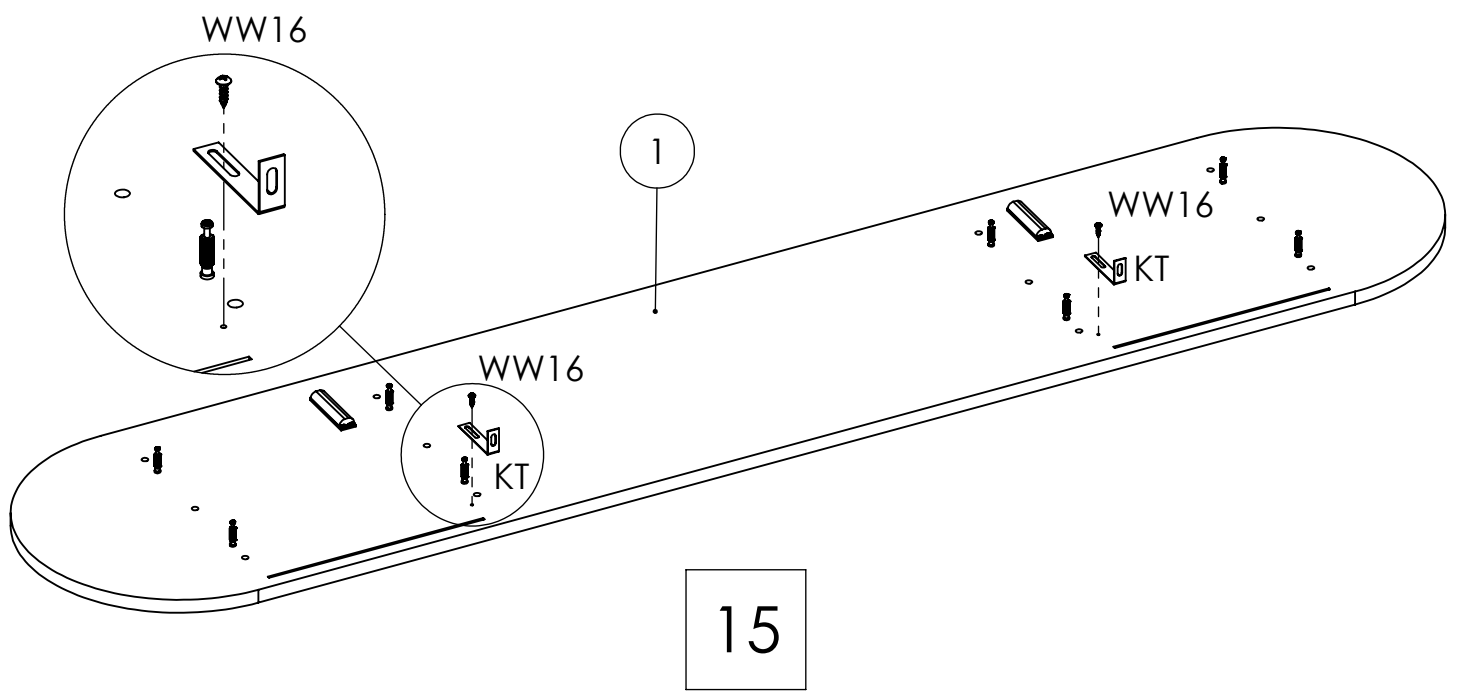
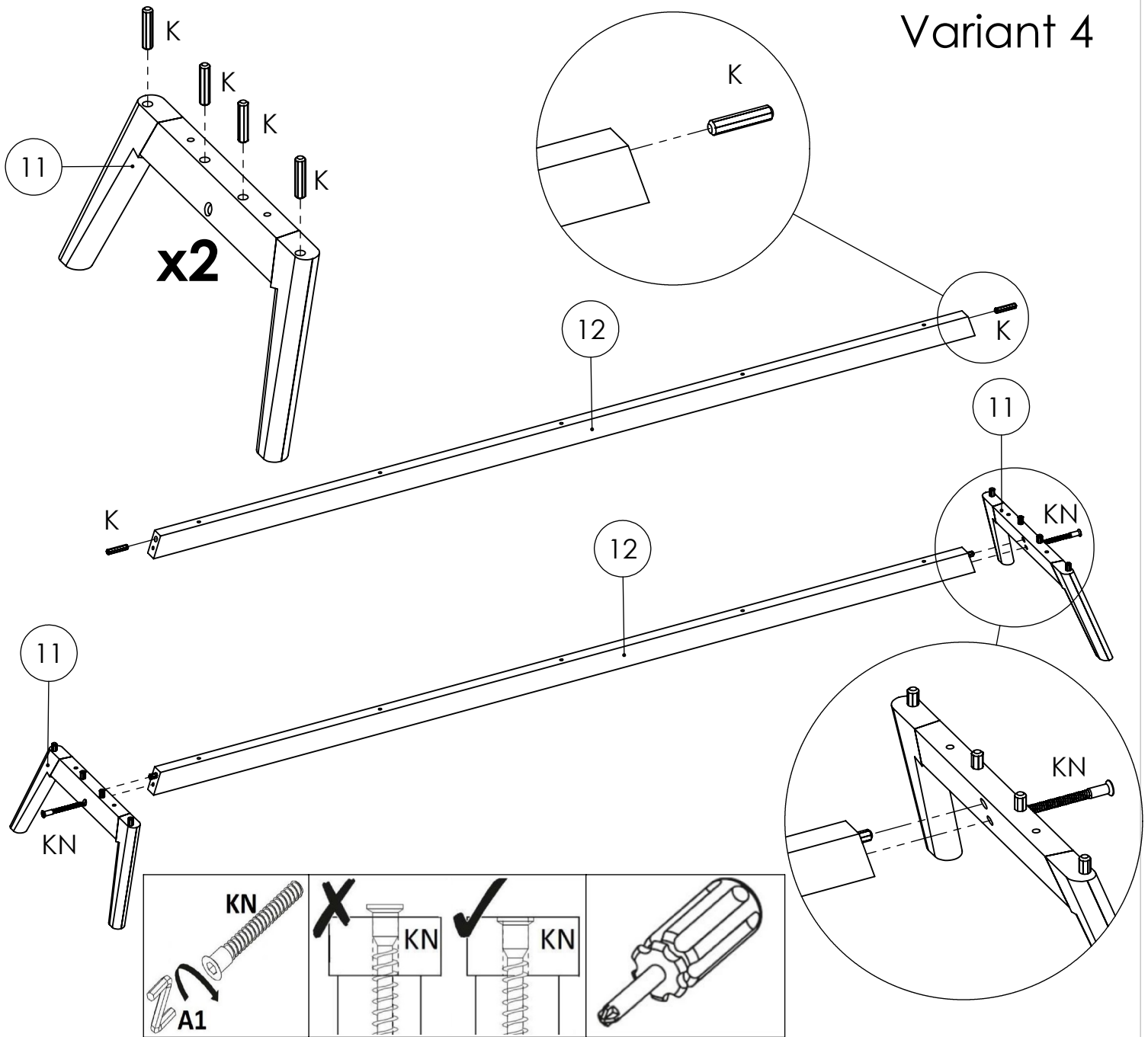
Variant 3



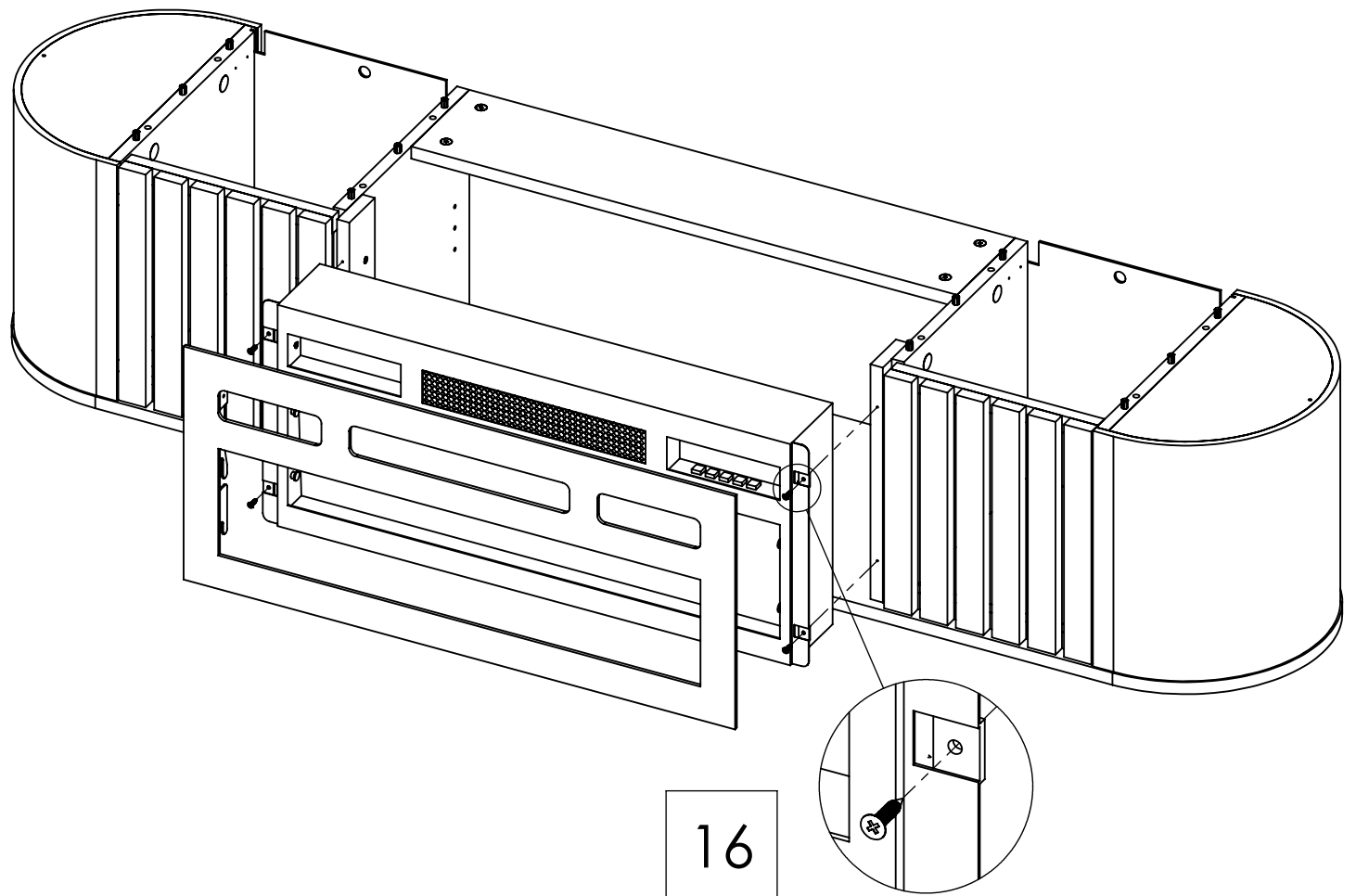
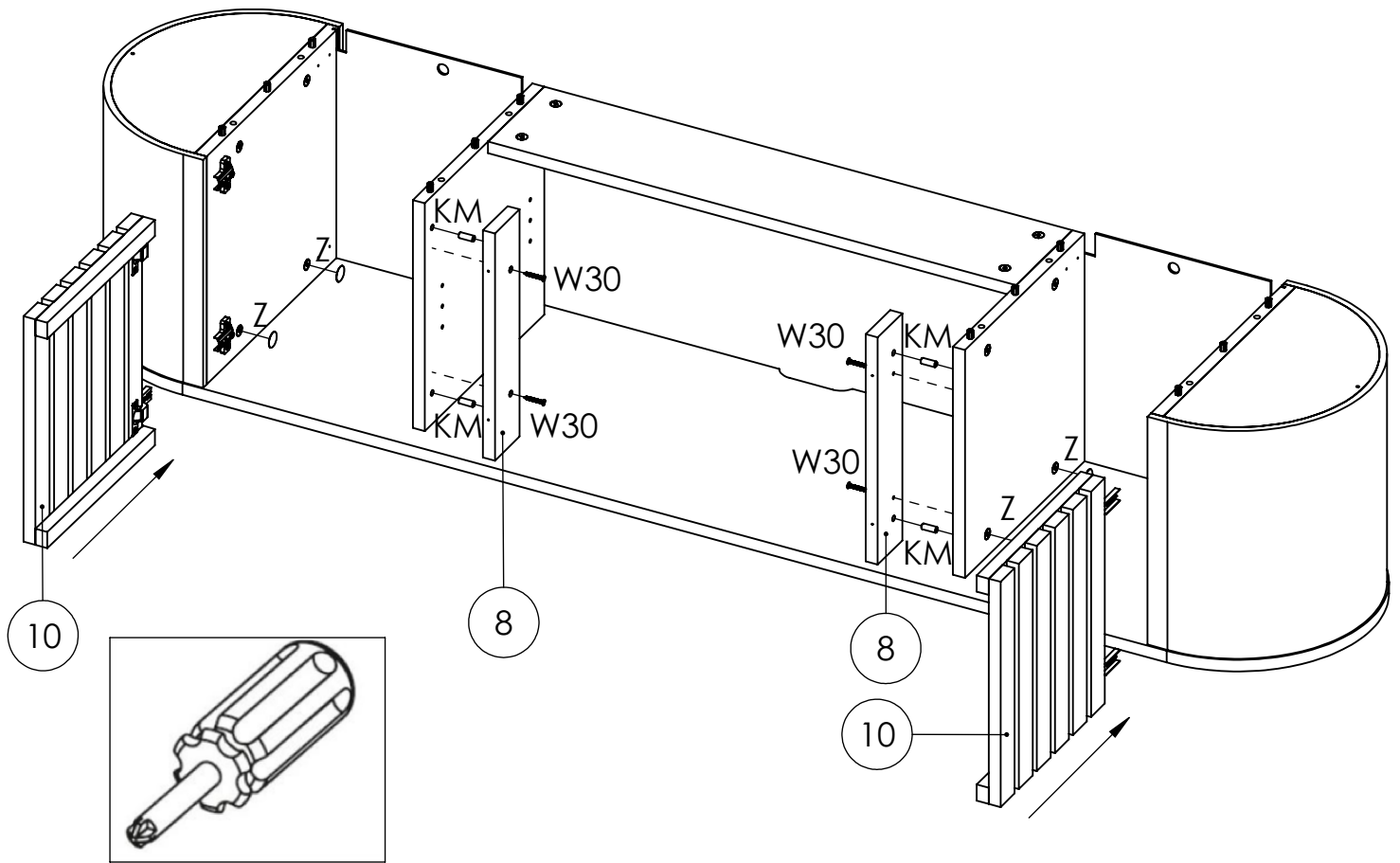
Variant 3

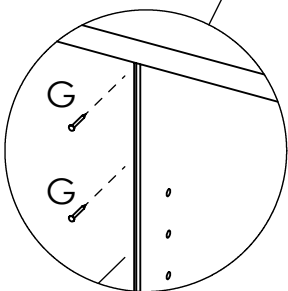
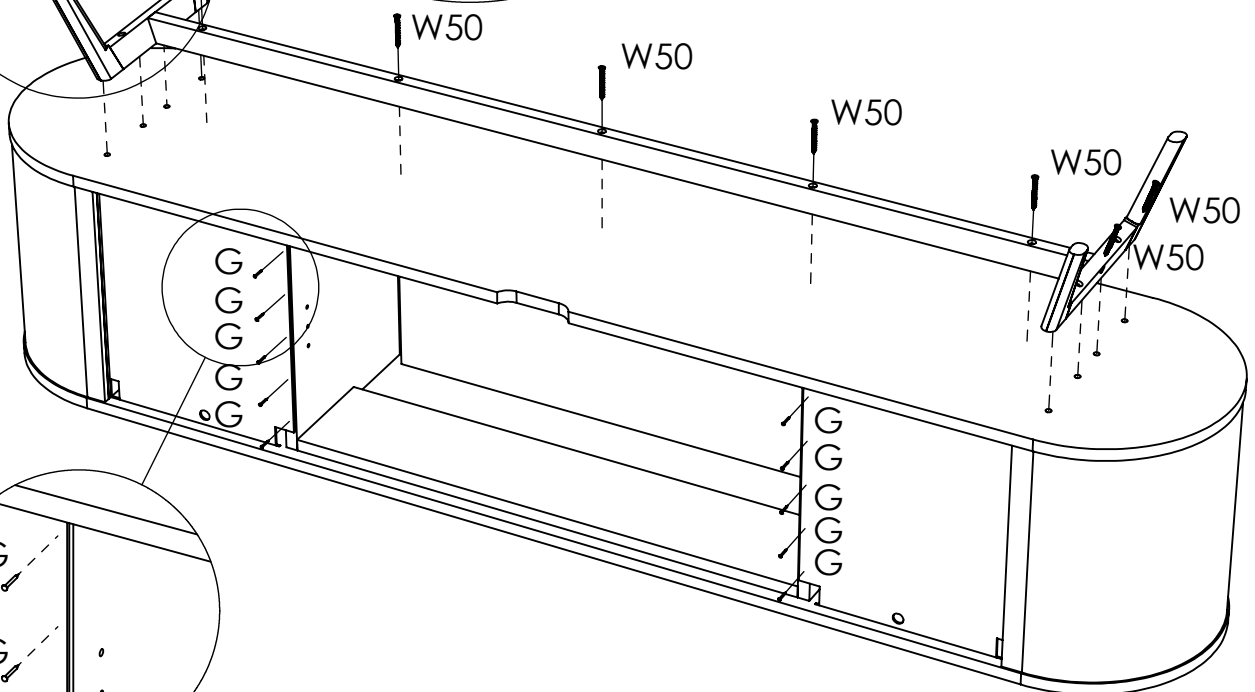
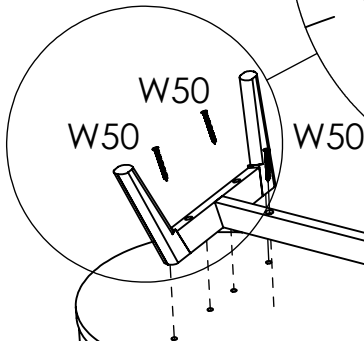
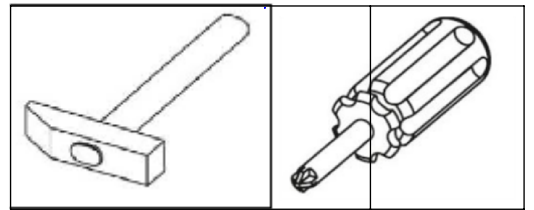
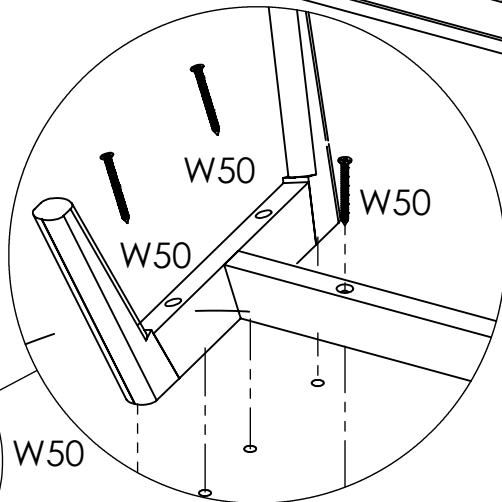
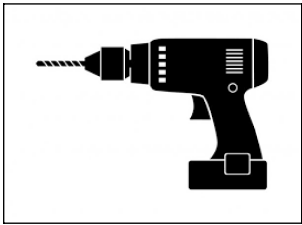
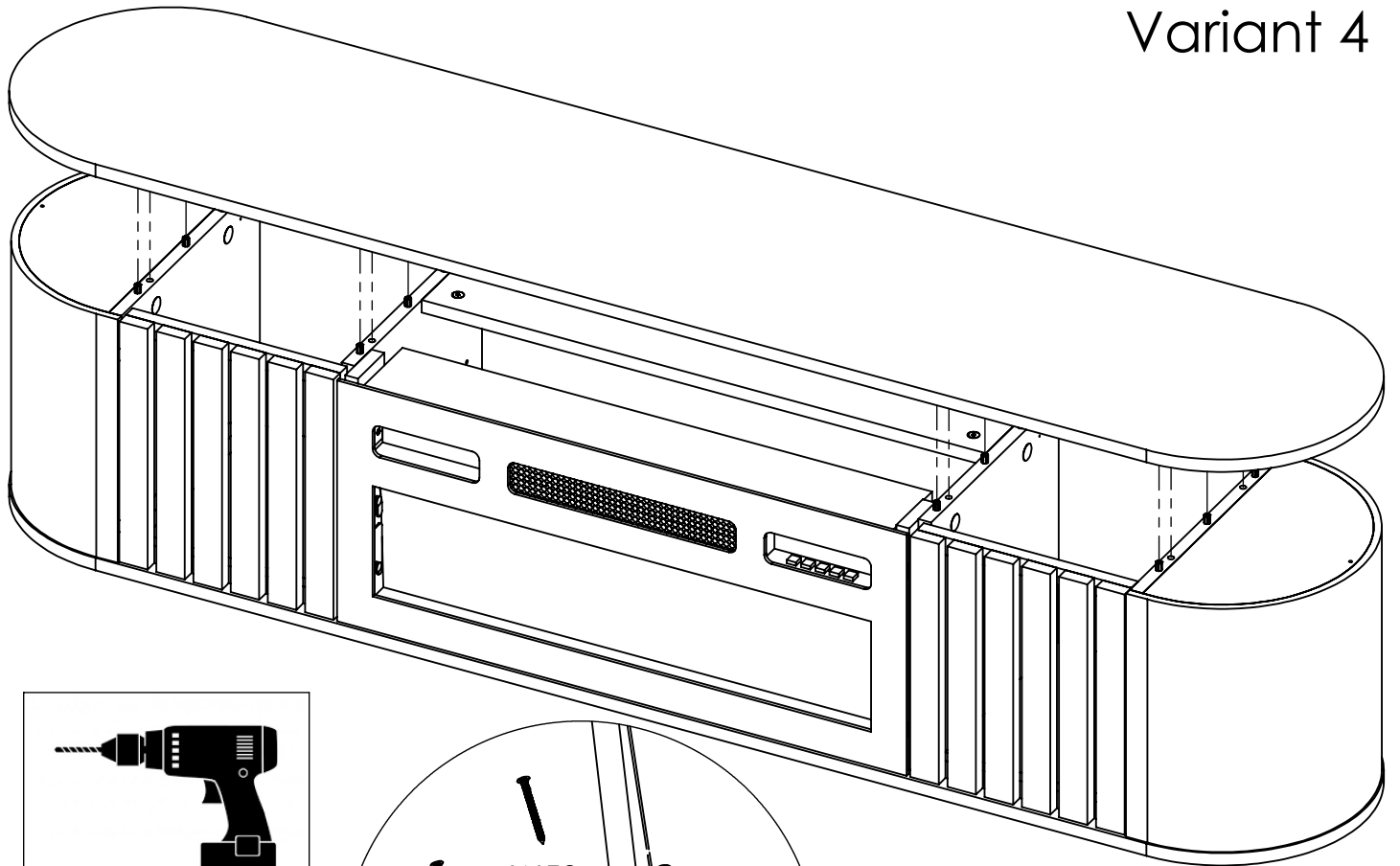


Variant 4

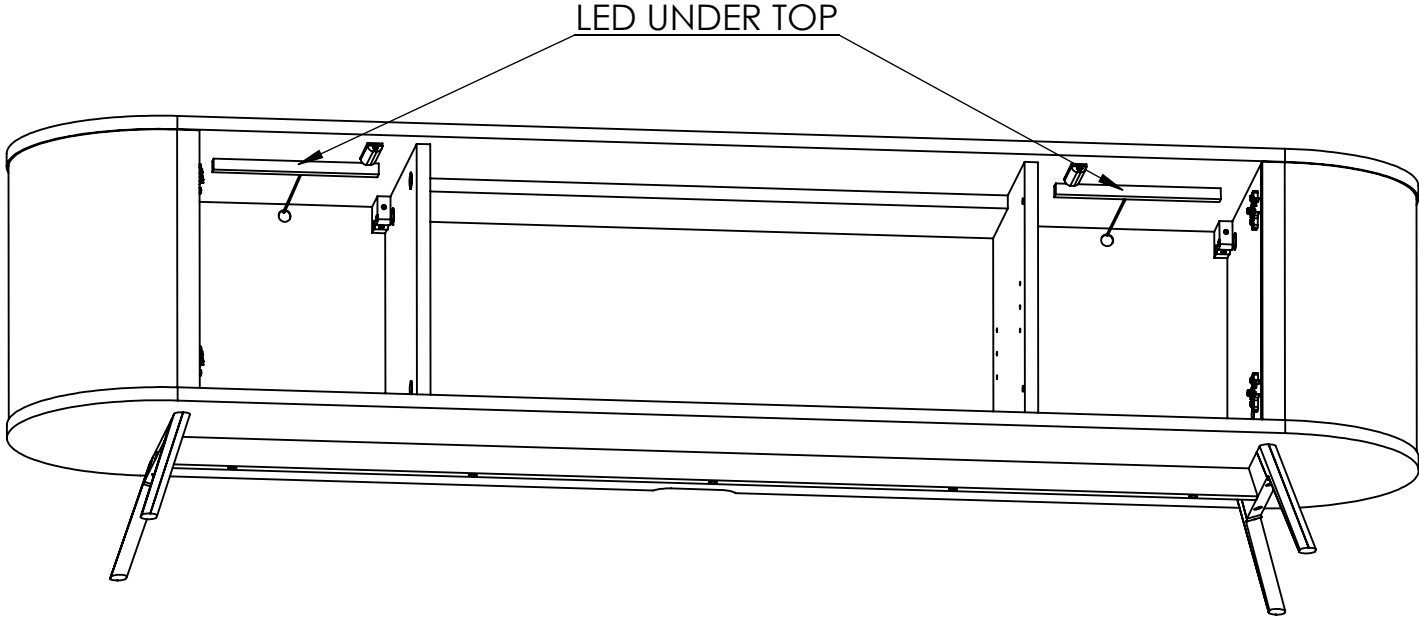


Variant 4





LED INSTALATION



LED installation

