

# Claim your extended 90 day product warranty by registering your product at [www.meblefurniture.com/register](http://www.meblefurniture.com/register)

**ATTENTION: DO NOT RETURN THIS PRODUCT!!!  
PLEASE READ THE FOLLOWING!!!**

**FOR REPLACEMENT/MISSING PARTS:**

[www.meblefurniture.com/parts](http://www.meblefurniture.com/parts)

**FOR INSTRUCTION/ASSEMBLY MANUALS  
AND VIDEOS:**

[www.meblefurniture.com/assembly](http://www.meblefurniture.com/assembly)

**ALL OTHER INQUIRIES:**

[help@meblefurniture.com](mailto:help@meblefurniture.com)

**IF YOU ARE MISSING PARTS OR YOUR  
PRODUCT ARRIVED DAMAGED:**

Please fill out a parts request form at  
[www.meblefurniture.com/parts](http://www.meblefurniture.com/parts)

Replacement parts are shipped out in one business day. You will receive a tracking number via email once your parts request has been processed.

**IF YOU ARE MISSING AN INSTRUCTION  
MANUAL OR NEED ASSEMBLY HELP:**

Please visit [www.meblefurniture.com/assembly](http://www.meblefurniture.com/assembly) to access our library of product assembly videos or to download product instruction manuals.

**NOTICE REGARDING HIGH GLOSS  
PROTECTIVE FOIL AND PRODUCT CARE:**

After removing the protective foil from the gloss fronts, the acrylic surface of the boards is still soft and easy to scratch. With air contact, the hygroscopic acrylic layer hardens, and the board becomes more resistant to scratches. It takes approximately 48 hours for the acrylic layer of the board to fully harden.

**DO NOT CLEAN, WIPE, OR POLISH THE  
ACRYLIC FRONTS FOR 48 HOURS AFTER  
REMOVING THE PROTECTIVE FOIL!!!**



[help@meblefurniture.com](mailto:help@meblefurniture.com)

# IMPORTANT SAFETY INFORMATION

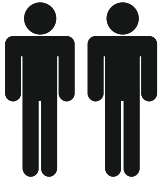
## WALL MOUNTING FURNITURE SAFETY INFORMATION AND WARNING

**ATTENTION:** This article provides basic information for mounting your wall mounted floating furniture to a wall using a wall mount bracket.

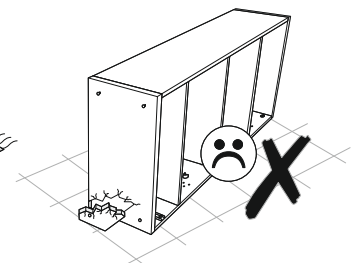
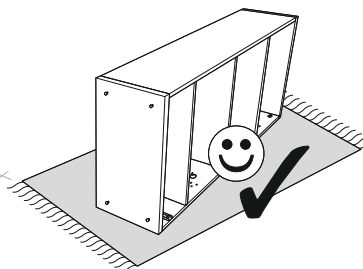
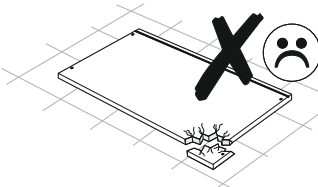
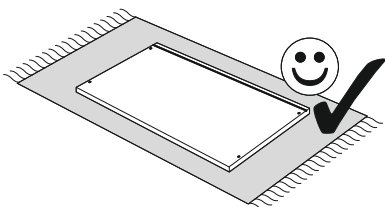
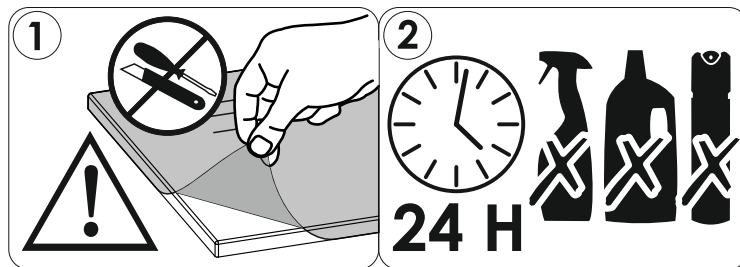
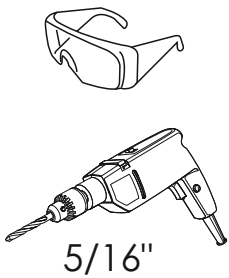
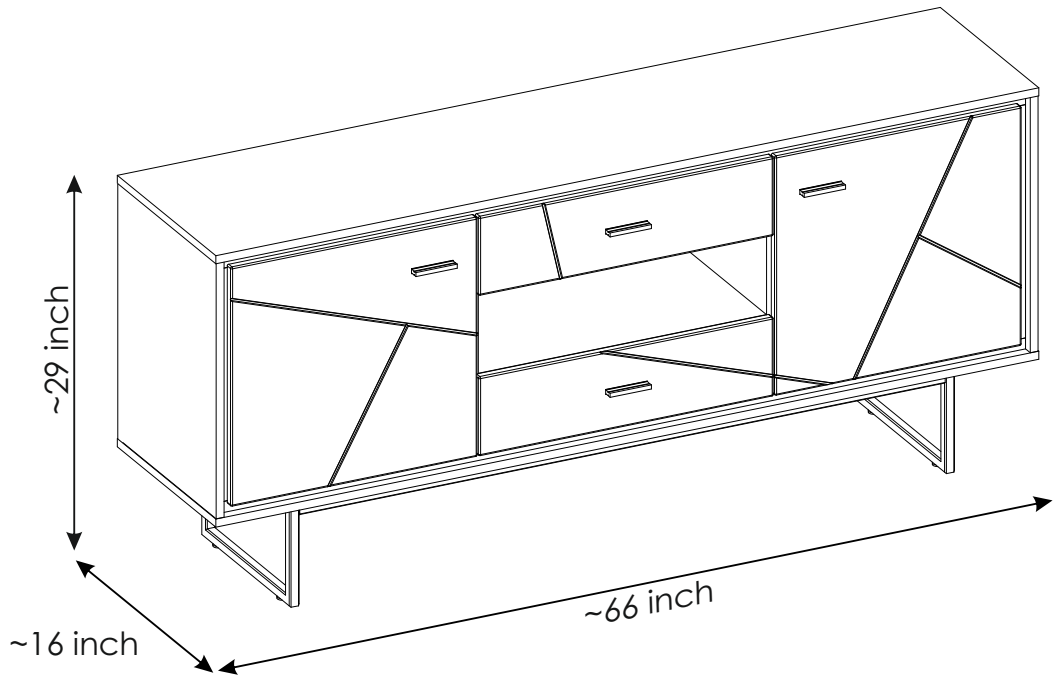
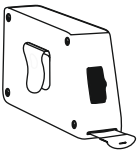
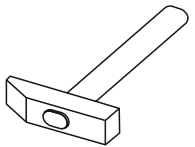
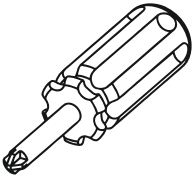
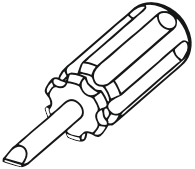
- **WARNING!** There's a risk of damage to your furniture and wall and injury to person if you don't follow the assembly or installation instructions correctly. We're not liable for any damages or injury caused by mishandling or improper installation of the wall-mount bracket.
- **WARNING!** If you use substitute items other than the supplied screws, the furniture may fall and cause physical injury to someone or damage to the furniture and/or wall.
- **WARNING!** Do not attempt to mount furniture that is not sold as wall mounting furniture.
- We strongly recommend that a qualified professional install your furniture on the wall for product protection and safety reasons. Sufficient expertise is required to determine the strength of the wall for withstanding the furniture's weight.
- Check the wall-mount installation manual supplied with your furniture for information on how to properly mount your furniture. Product manuals are posted on our website at <https://meblefurniturerugs.com/pages/assembly>.
- We don't guarantee the use of third-party wall mount brackets or screws.
- Use the screws supplied with the wall-mount bracket when you attach the wall-mount bracket to the furniture.
- Any repairs or modifications done to the included wall mount bracket or any part of the wall mounted furniture are not recommended, and may cause an increased risk of damage to your furniture and wall, and potentially injury to person. Any repairs or modifications will void all warranty and technical support for this unit.

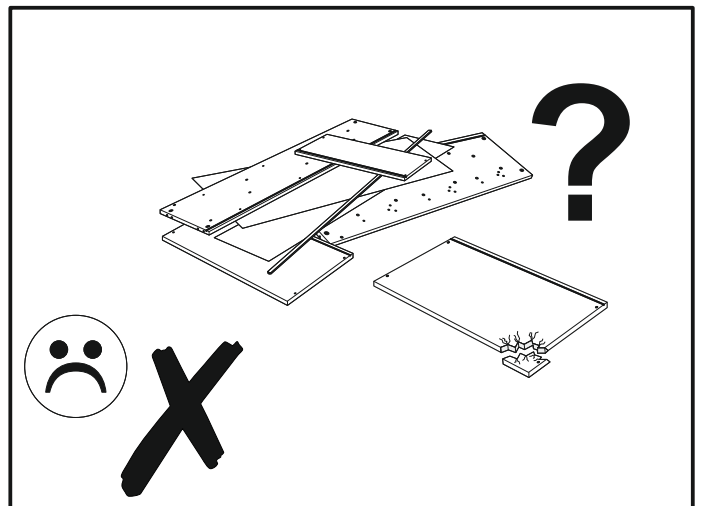
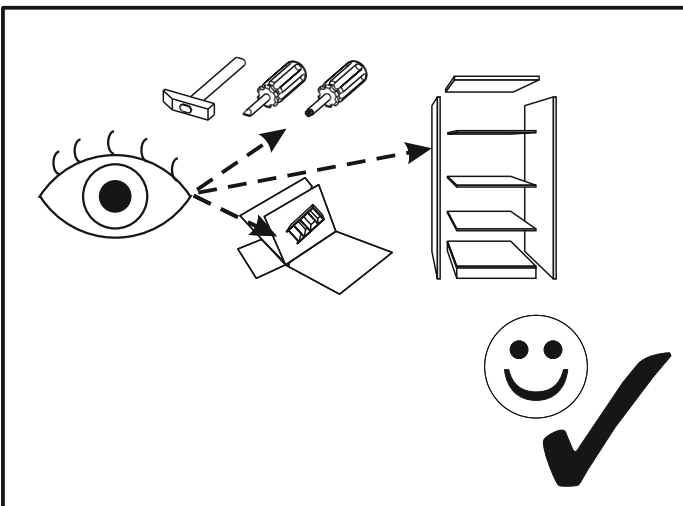
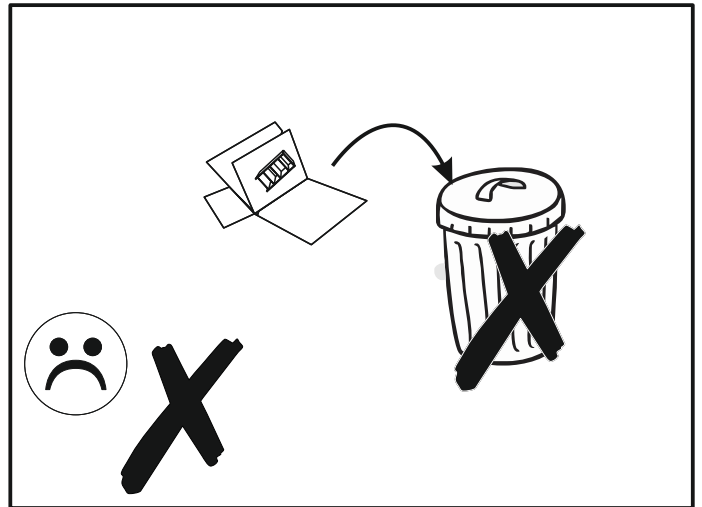
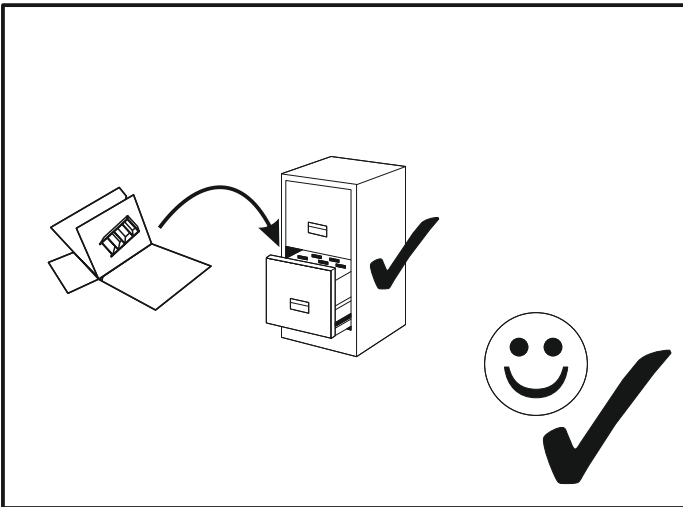
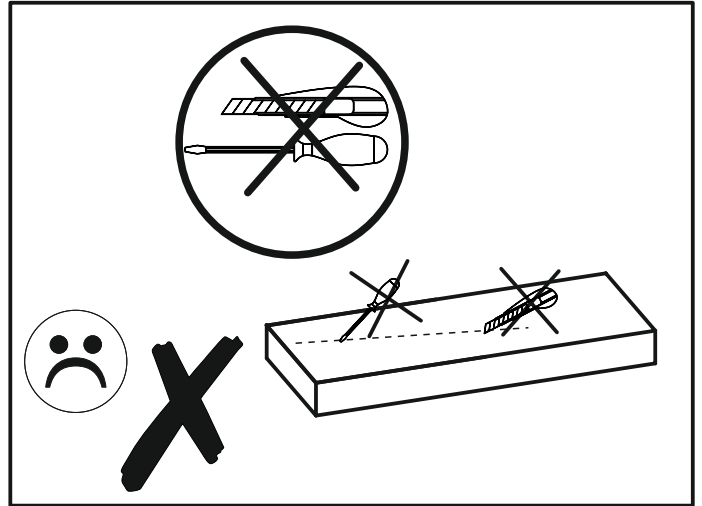
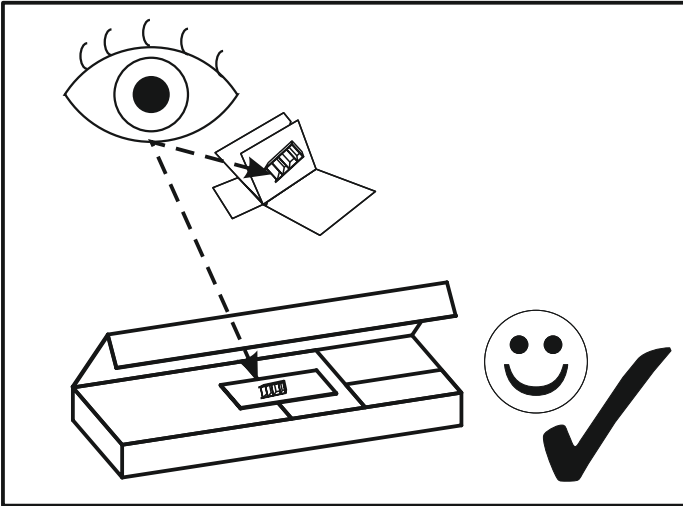
**SAVE THIS SAFETY INFORMATION AND WARNING FOR FUTURE REFERENCE**

# BROK101



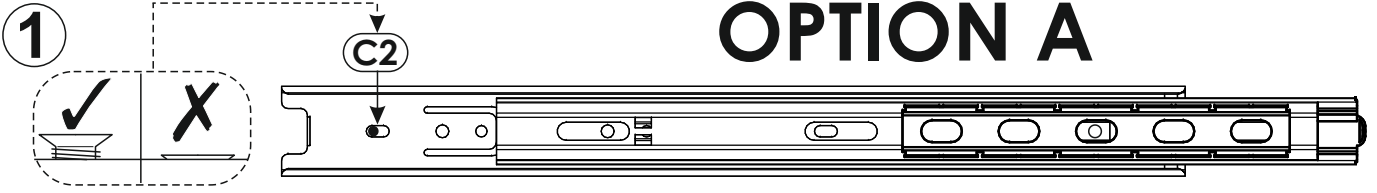
90 MIN



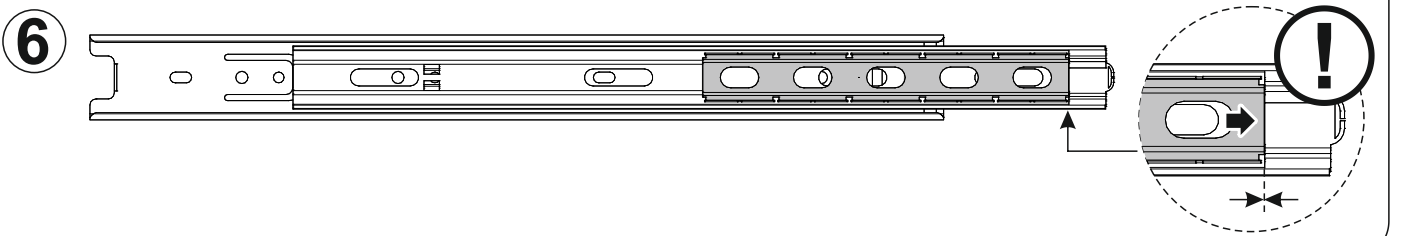
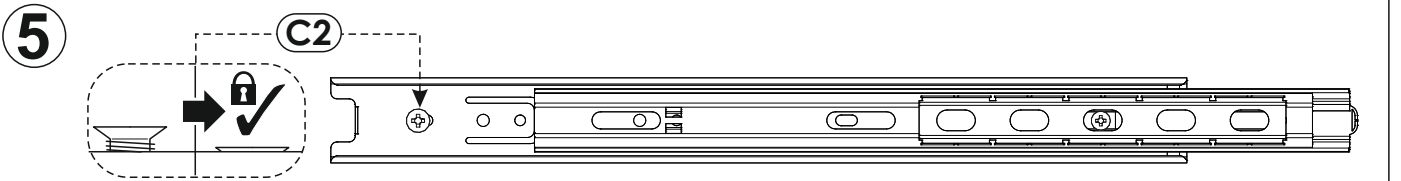
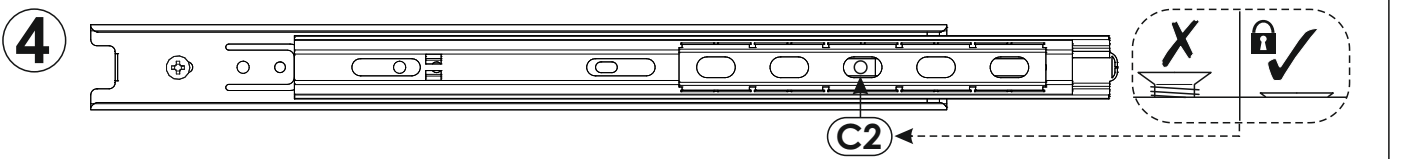
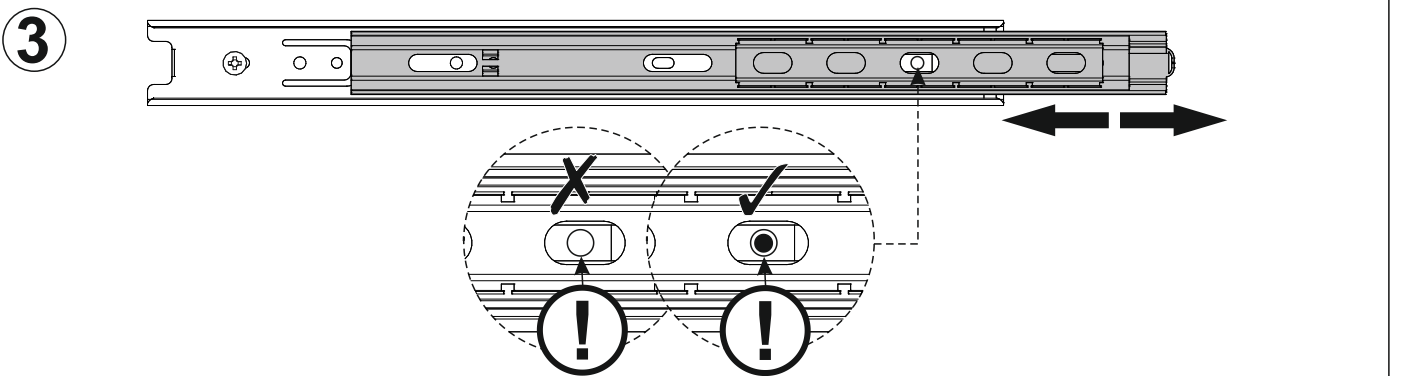
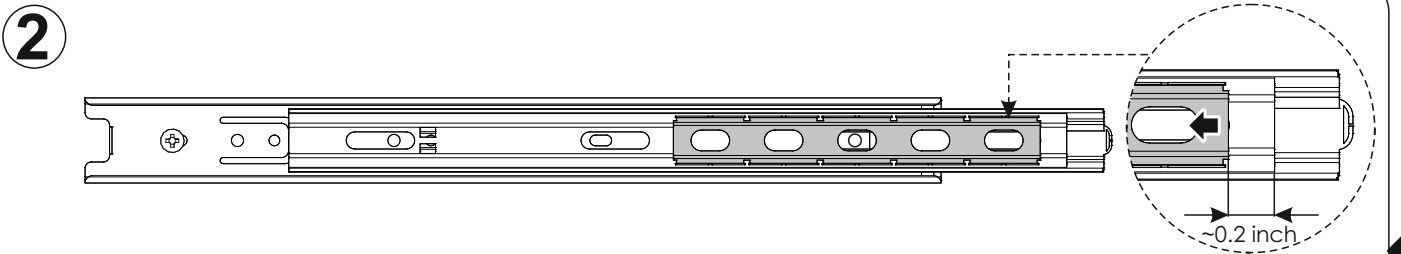
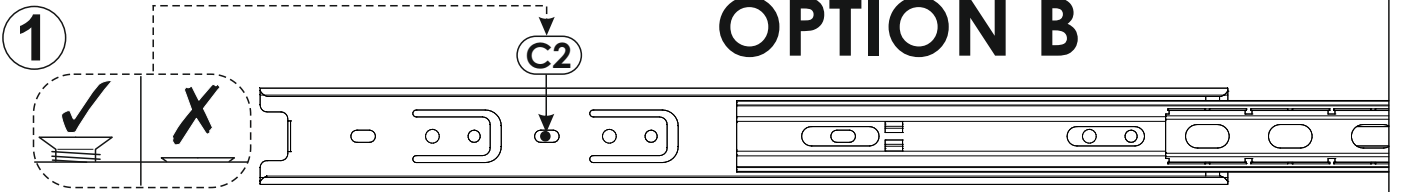


# BROK101

## OPTION A



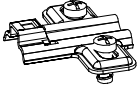
## OPTION B



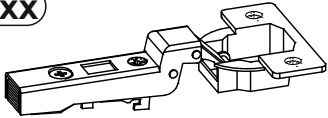


# version A

BCxx



BCxx



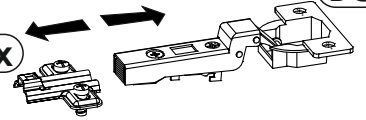
# version B

BCxx + BCxx



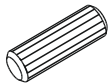

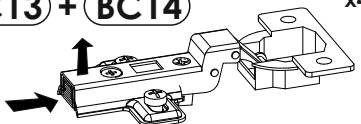







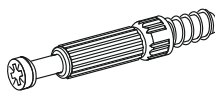
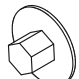



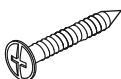

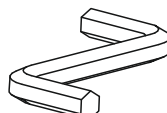
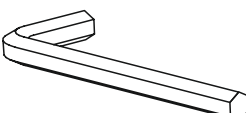
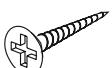
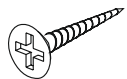
BCxx

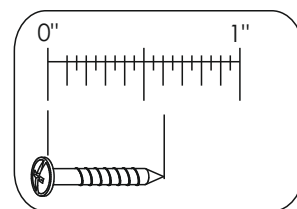
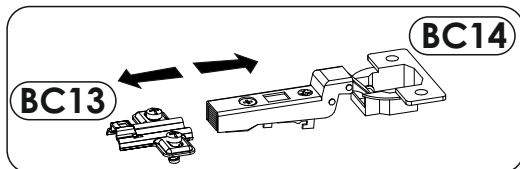
BCxx



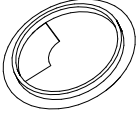
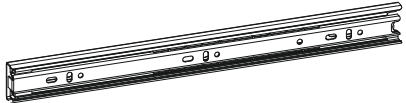
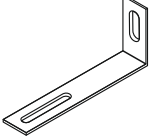
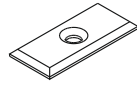
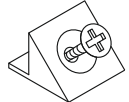

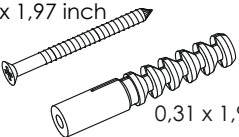
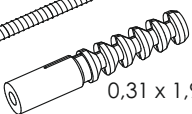
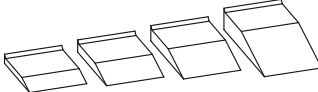
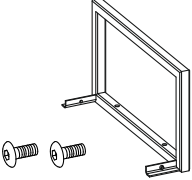
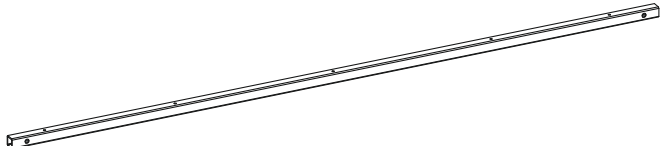
# BROK101

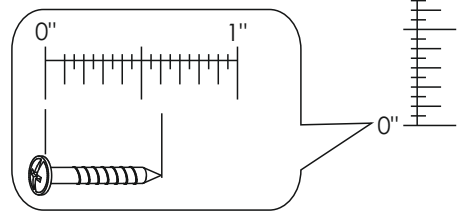
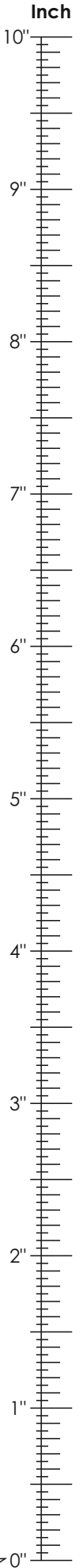
Inch

<b>A0</b> 0,31 x 0,94 inch x8 	<b>A1</b> 0,31 x 1,38 inch x36 	<b>BC13 + BC14</b> x4 
<b>C1</b> 0,16 x 0,51 inch x8 	<b>C2</b> 0,2 x 0,51 inch x8 	<b>D2</b> x8 
<b>E1</b> 0,59 x 0,47 inch x16 	<b>E5a</b> 0,79 inch x4 	<b>E5b</b> 0,79 inch x12 
<b>E6</b> 0,55 inch x18 	<b>F1</b> 0,24 x 1,34 inch x16 	<b>G0</b> x8 
<b>G1</b> 0,28 x 1,97 inch x12 	<b>H1</b> L - 3,31 inch x4 	<b>I2</b> 0,16 x 0,63 inch x2 
<b>I5</b> 0,14 x 1,06 inch x8 	<b>I7</b> 0,16 x 1,38 inch x14 	<b>M</b> x1 
<b>M1</b> x1 	<b>N1</b> 0,12 x 0,63 inch x20 	<b>N2</b> 0,14 x 0,63 inch x26 



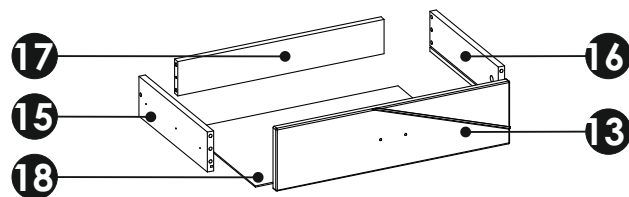
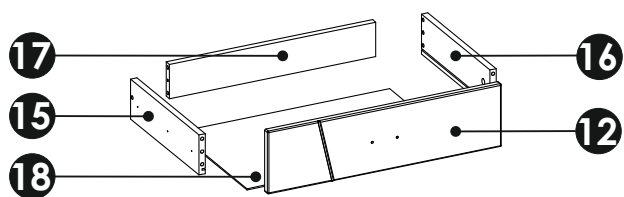
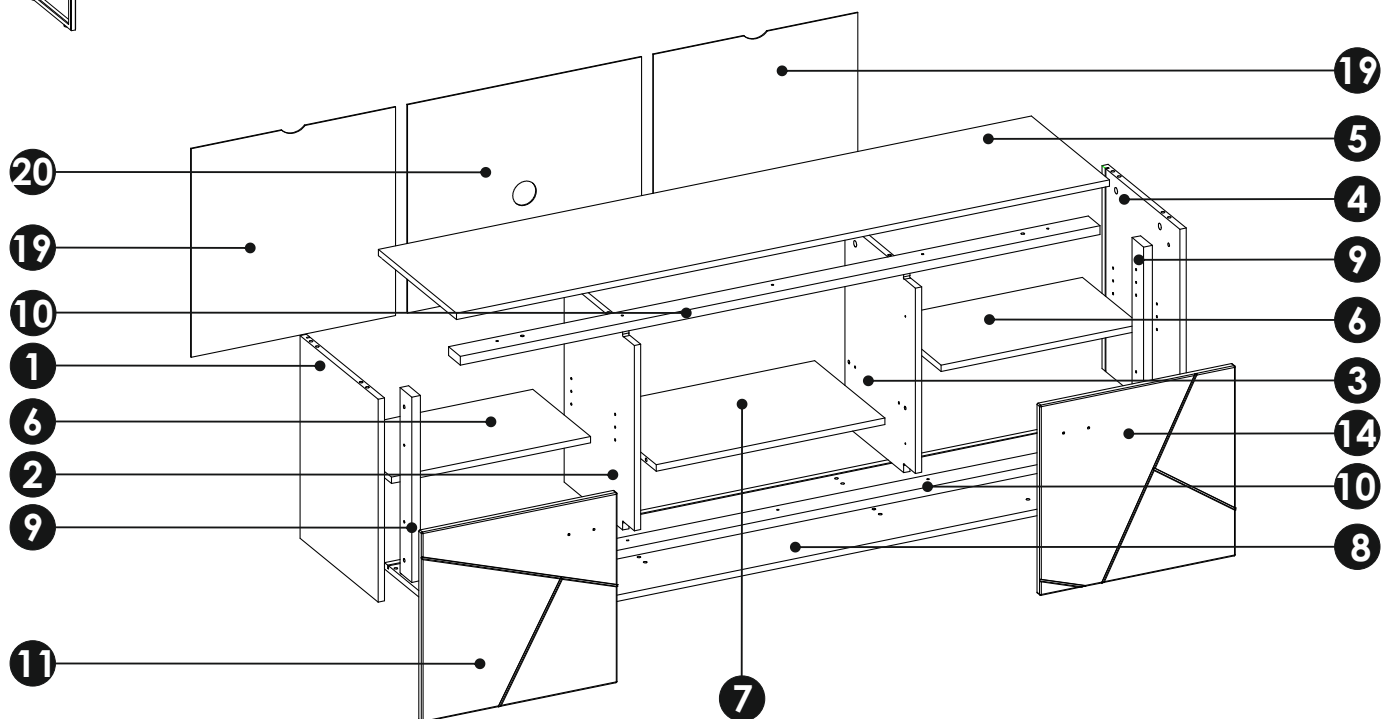
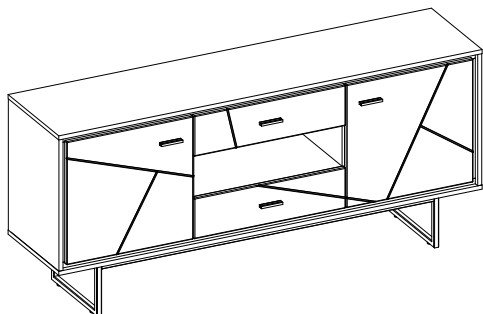
# BROK101

<b>P24</b>  x1	<b>PW</b> L - 13,78 inch x4 	<b>Q9</b>  x2
<b>R1</b>  x6	<b>R4</b>  x12	<b>R11</b> 0,79 inch  x4
<b>S13</b> 0,2 x 1,97 inch  x2 0,31 x 1,97 inch 	<b>Z</b>  x1	
<b>V1</b>  x2	<b>V2</b>  x2	





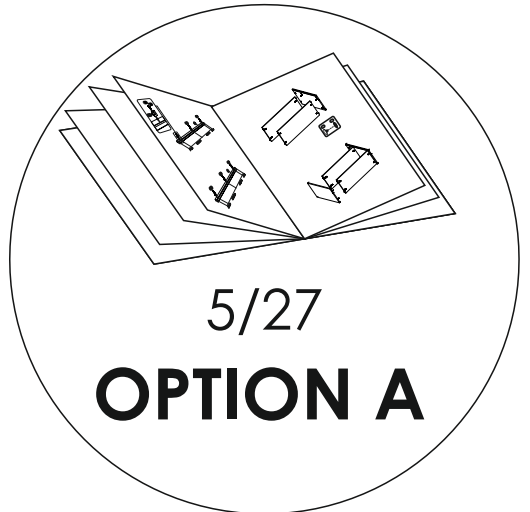
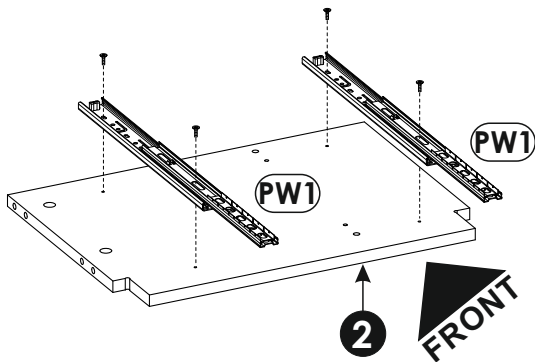
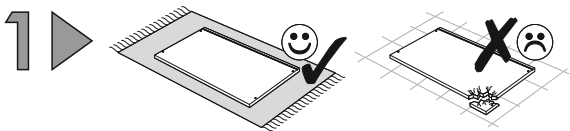
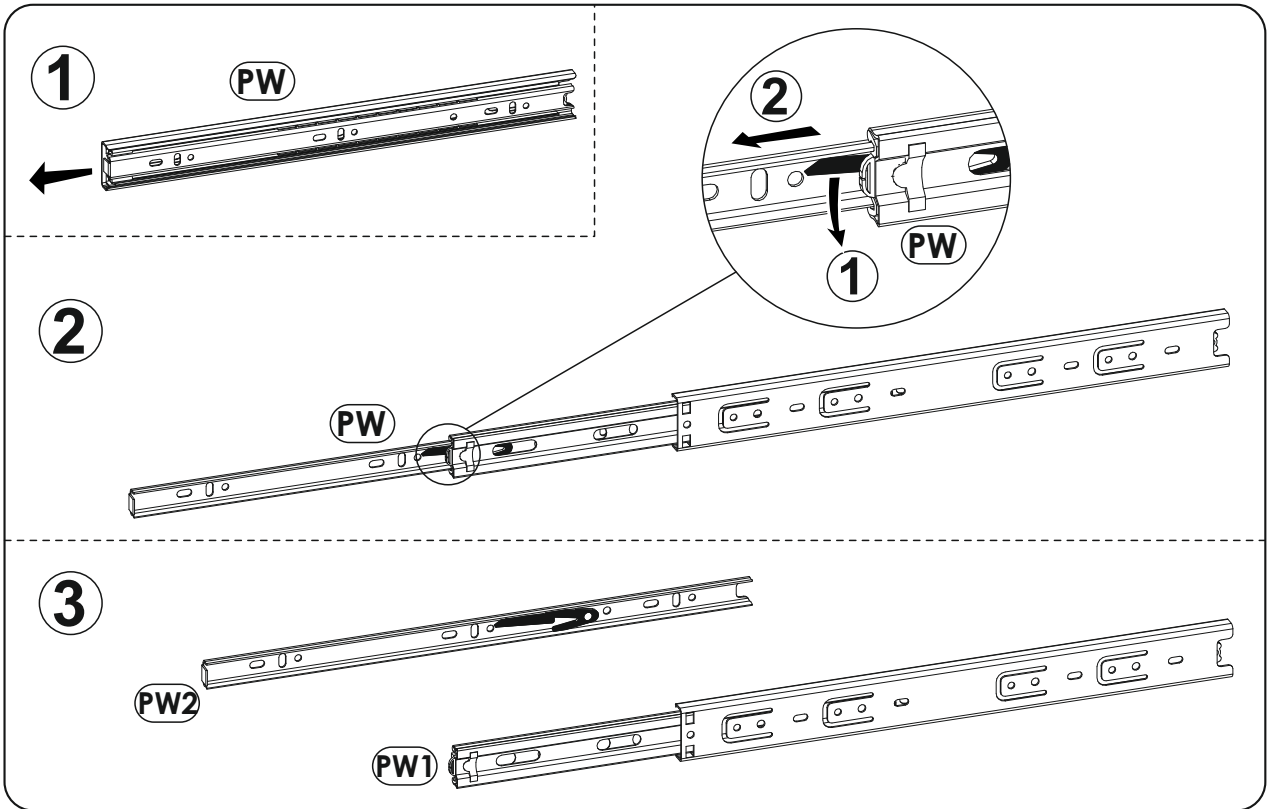
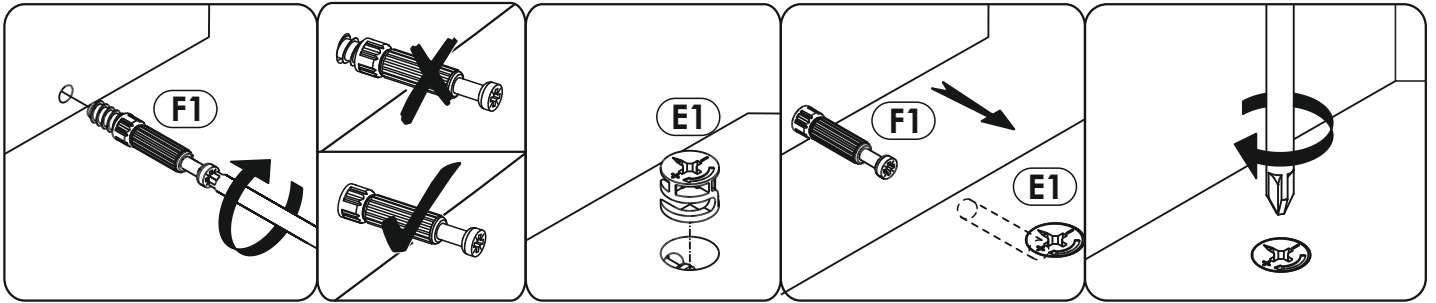
# BROK101



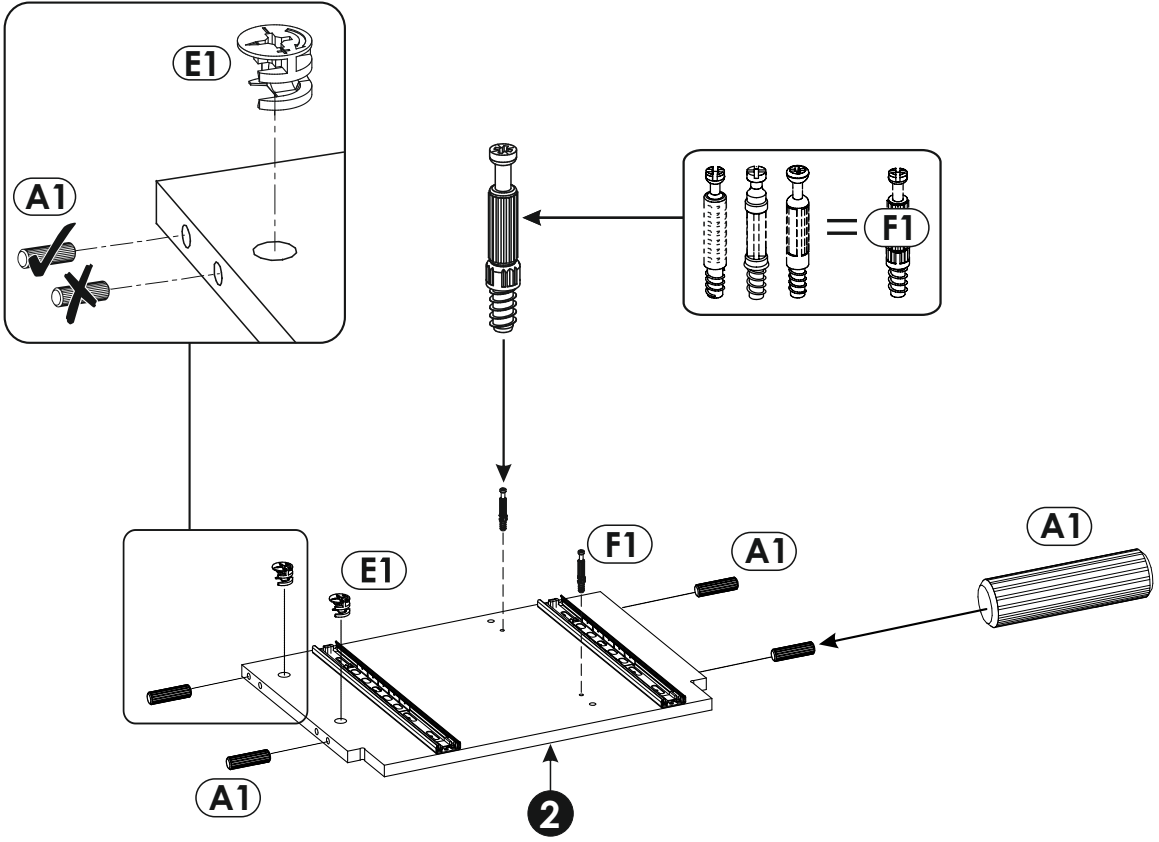
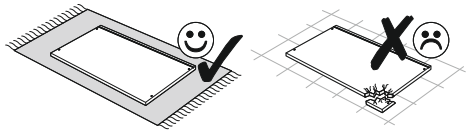
<b>1</b>	20	15,71	0,63	x1	1/2
<b>2</b>	20	14,17	0,63	x1	1/2
<b>3</b>	20	14,17	0,63	x1	1/2
<b>4</b>	20	15,71	0,63	x1	1/2
<b>5</b>	65,75	15,75	0,63	x1	2/2
<b>6</b>	20,04	11,65	0,63	x2	2/2
<b>7</b>	23,03	14,13	0,63	x1	2/2

<b>8</b>	65,75	15,75	0,63	x1	2/2
<b>9</b>	18,27	2,36	0,87	x2	2/2
<b>10</b>	64,41	2,36	0,87	x2	2/2
<b>11</b>	18,74	19,69	0,63	x1	1/2
<b>12</b>	23,54	6,18	0,63	x1	2/2
<b>13</b>	23,54	6,18	0,63	x1	2/2
<b>14</b>	18,74	19,69	0,63	x1	1/2

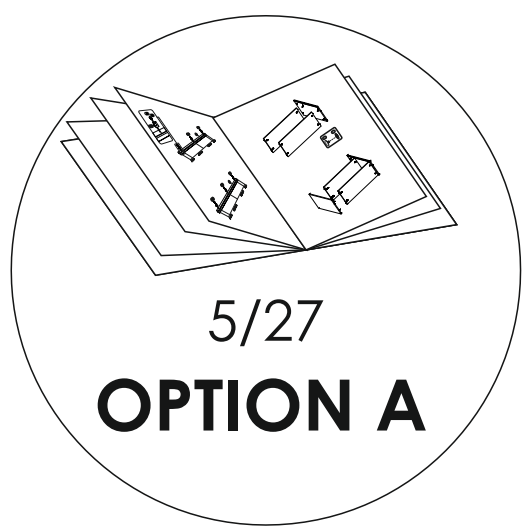
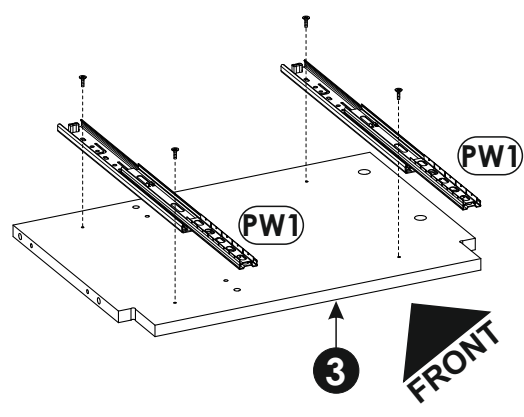
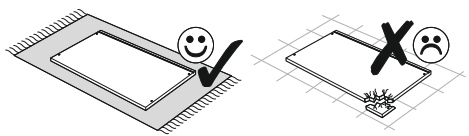
<b>15</b>	13,78	3,94	0,63	x2	1/2
<b>16</b>	13,78	3,94	0,63	x2	1/2
<b>17</b>	20,79	3,39	0,63	x2	2/2
<b>18</b>	21,34	13,98	0,12	x2	1/2
<b>19</b>	20,55	20,67	0,12	x2	1/2
<b>20</b>	20,55	23,62	0,12	x1	1/2



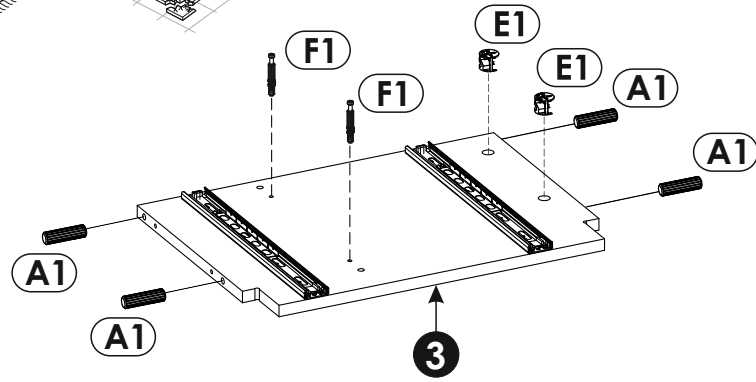
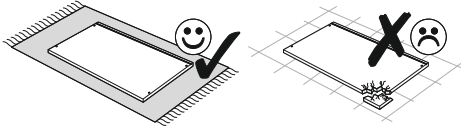
2 ▶



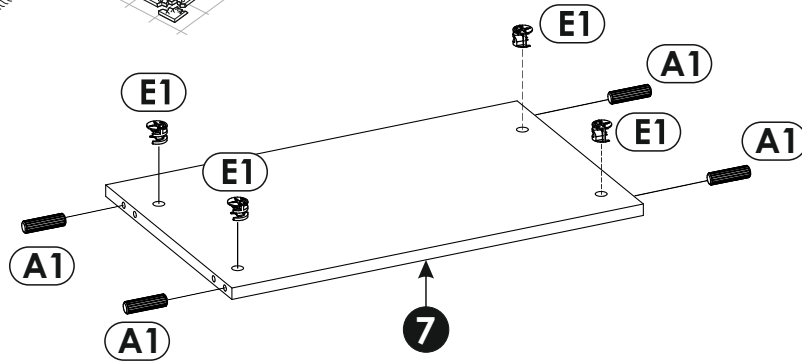
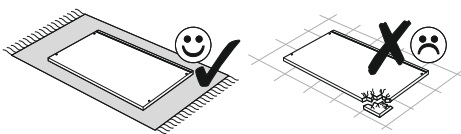
3 ▶



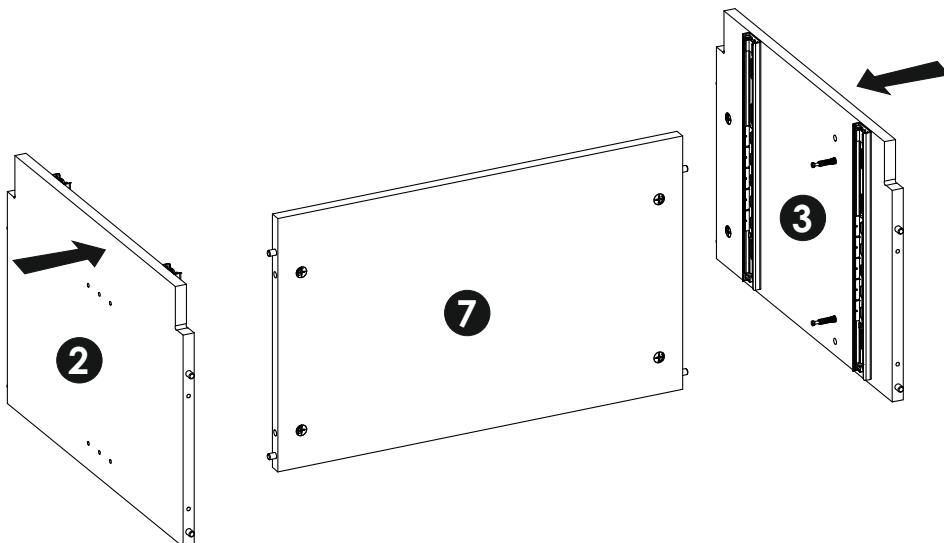
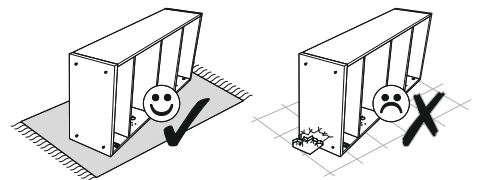
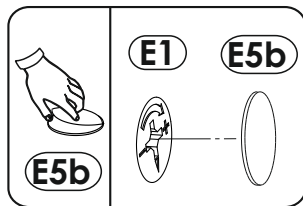
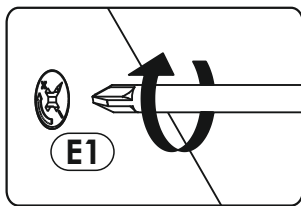
4 ▶



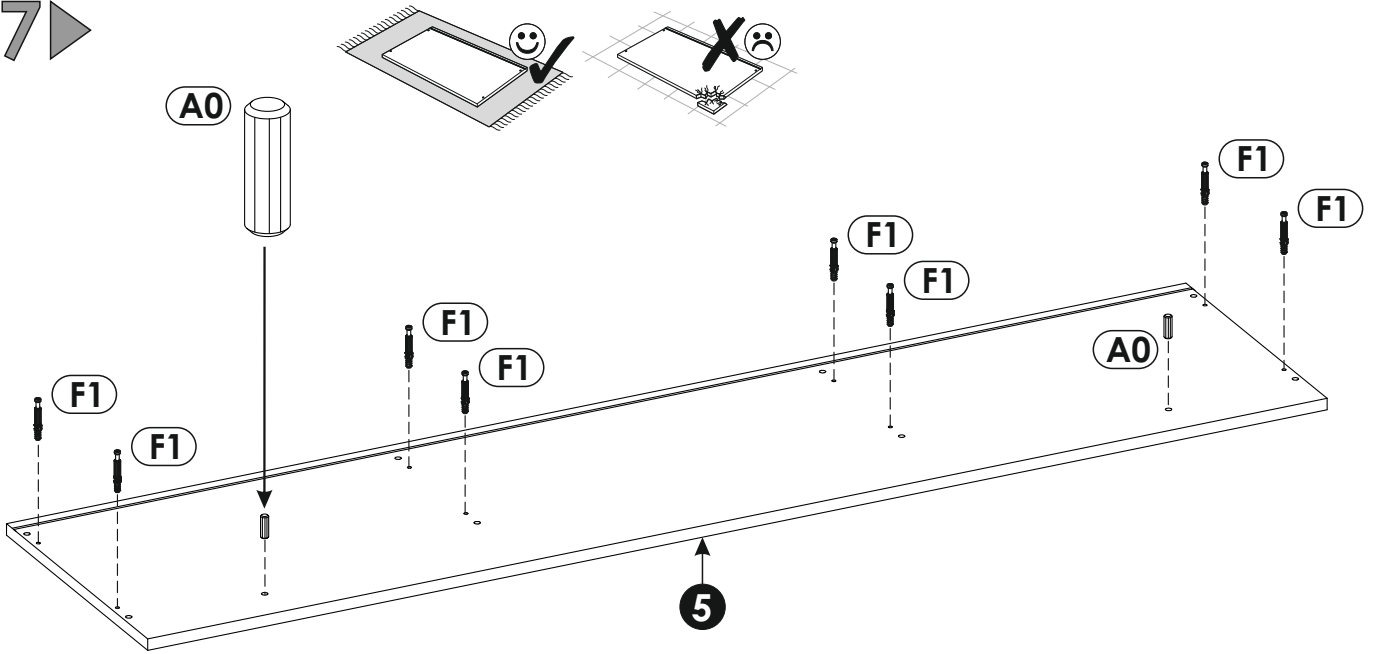
5 ▶



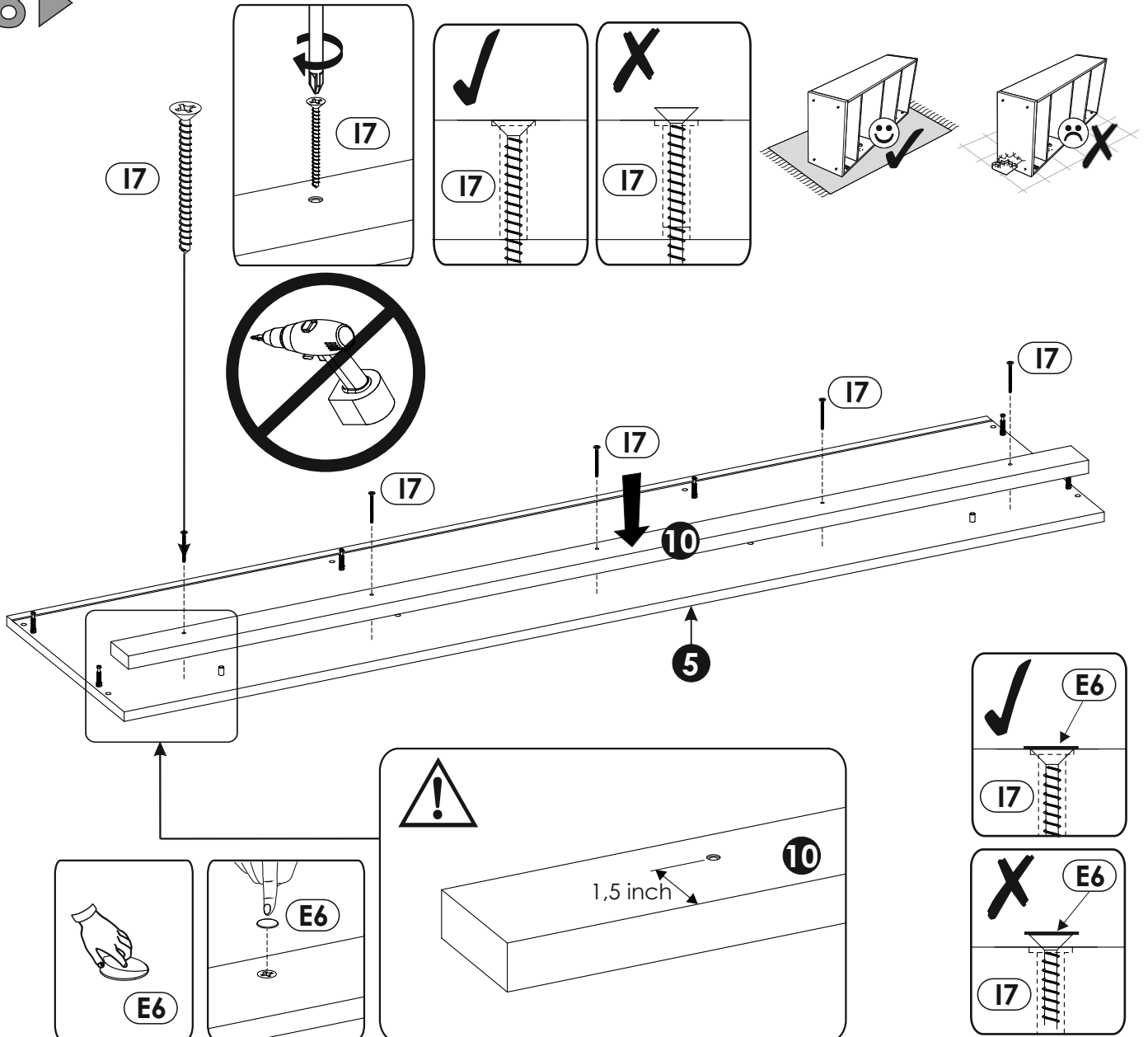
6 ▶



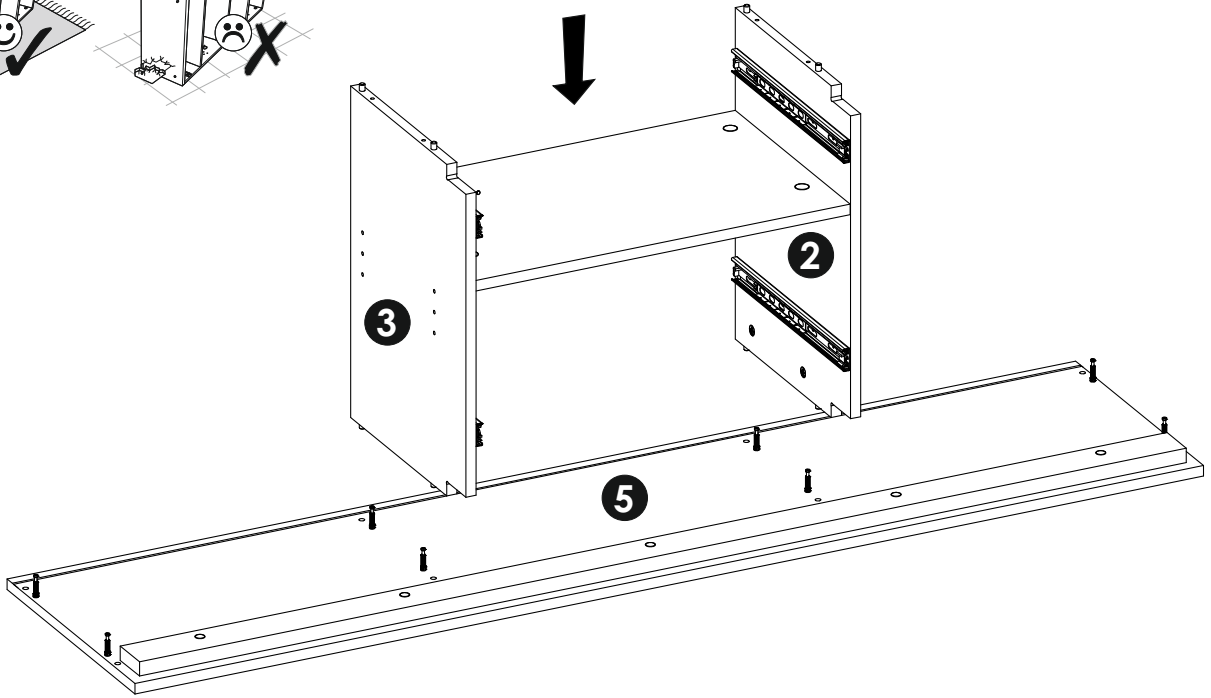
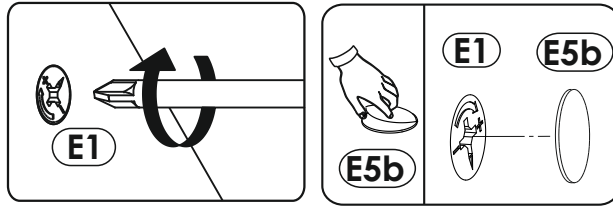
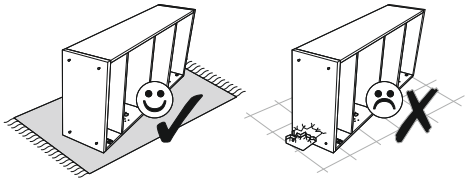
7 ▶



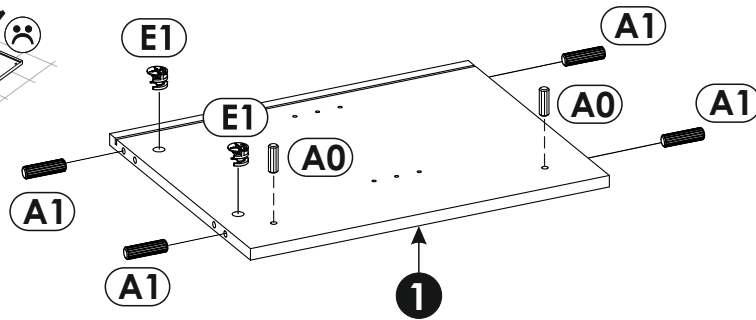
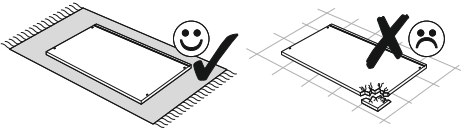
8 ▶



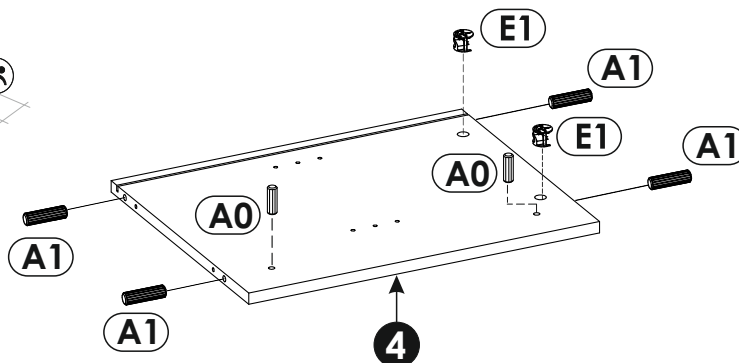
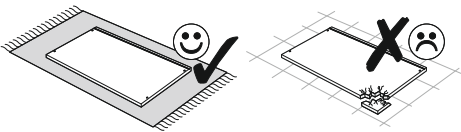
9 ▶



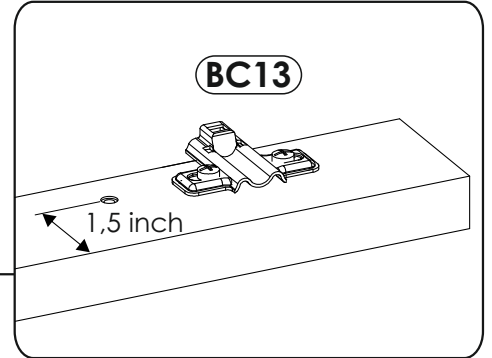
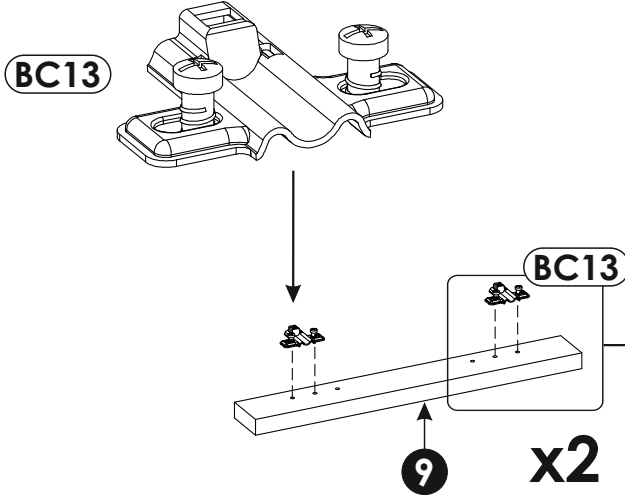
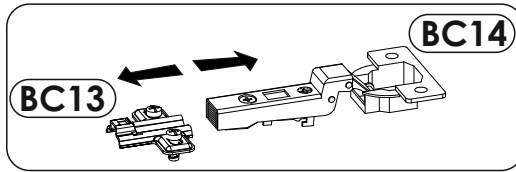
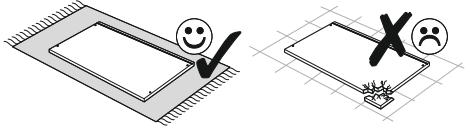
10 ▶



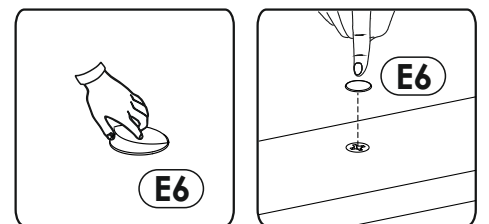
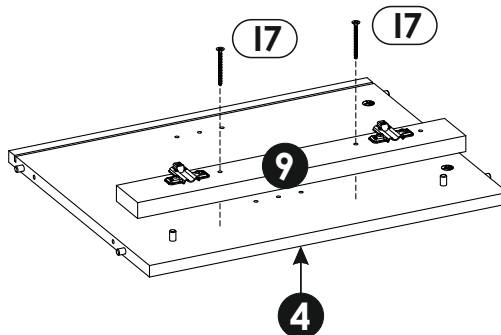
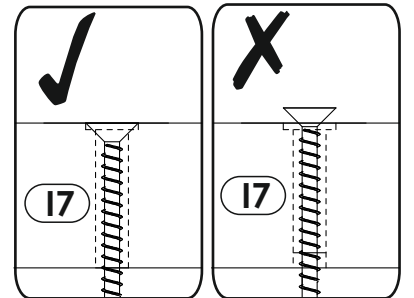
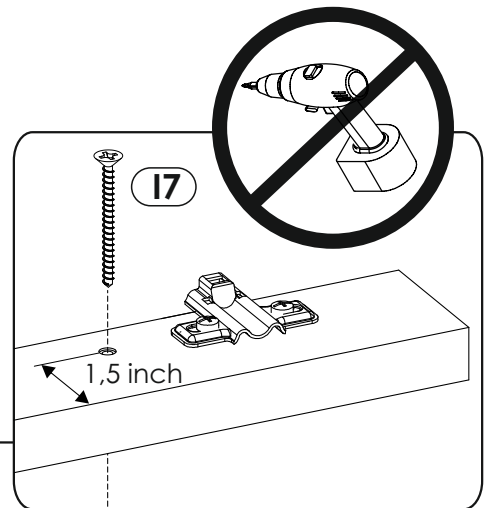
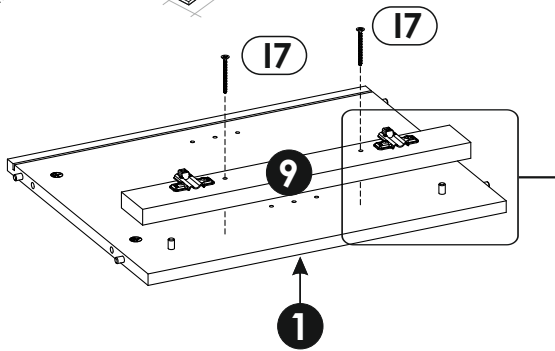
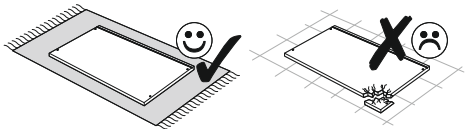
11 ▶



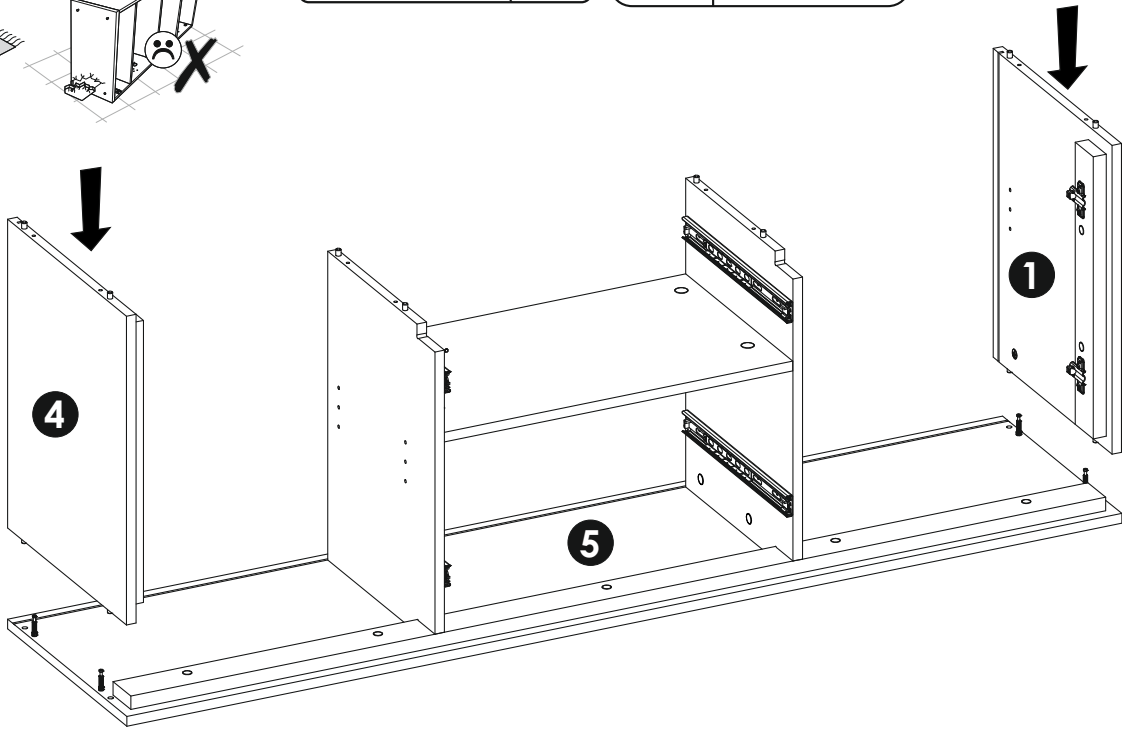
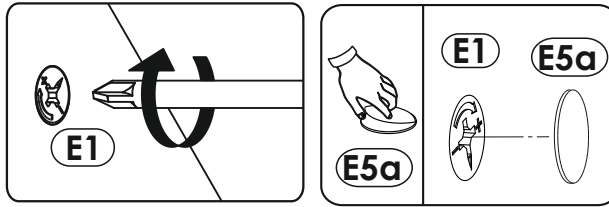
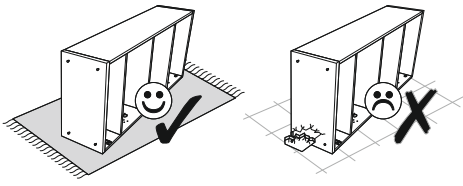
12 ▶



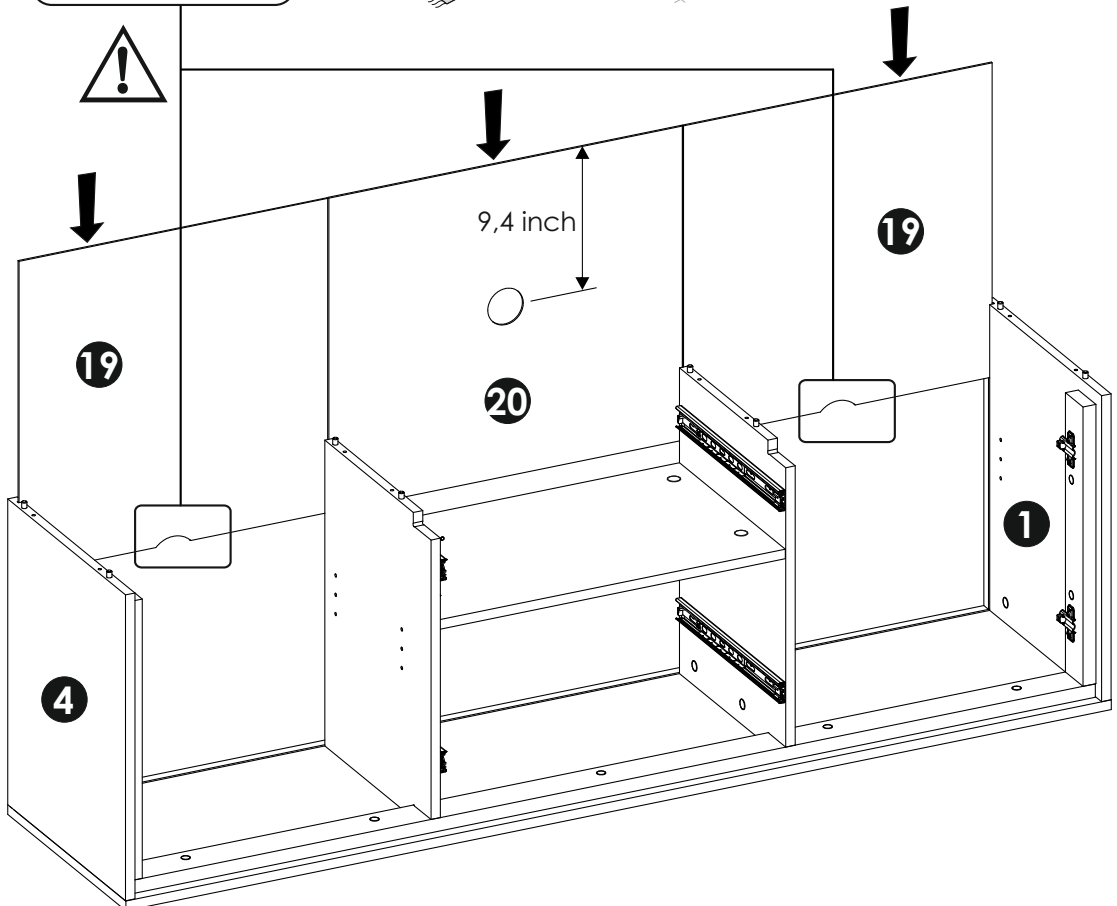
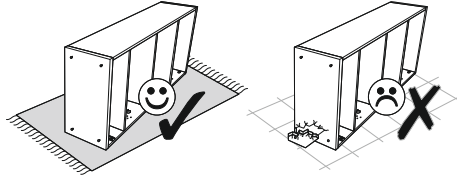
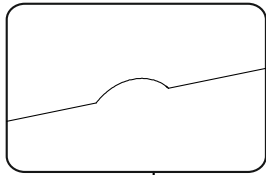
13 ▶



14 ▶

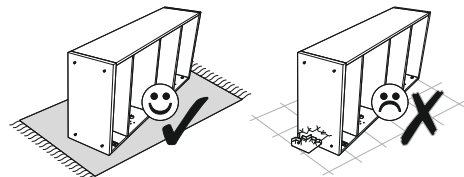
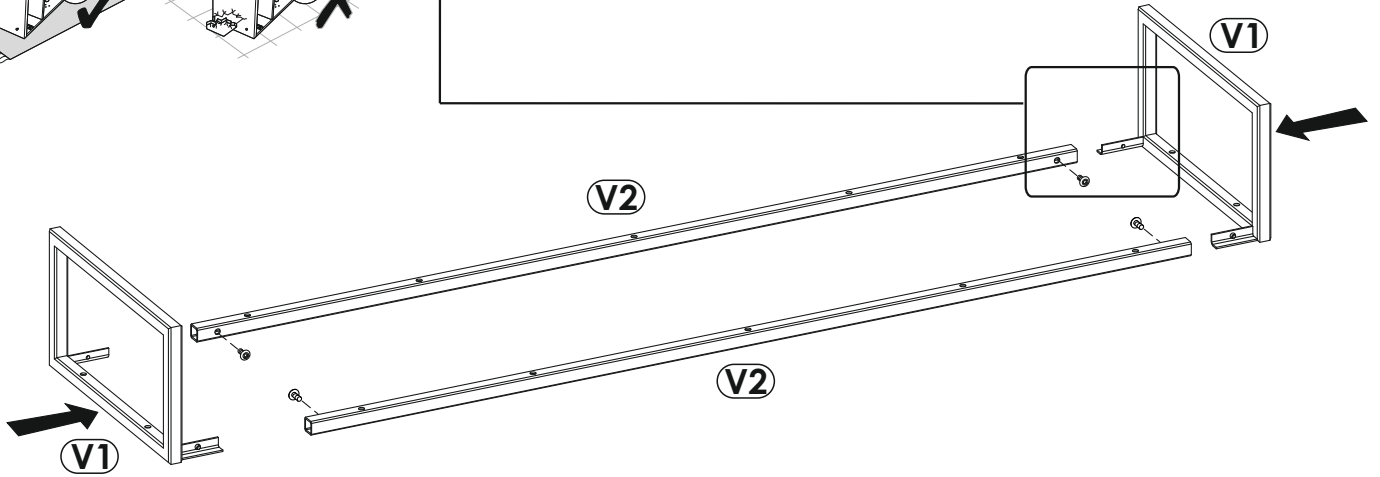
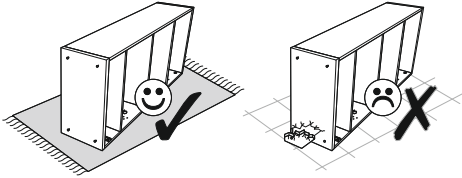
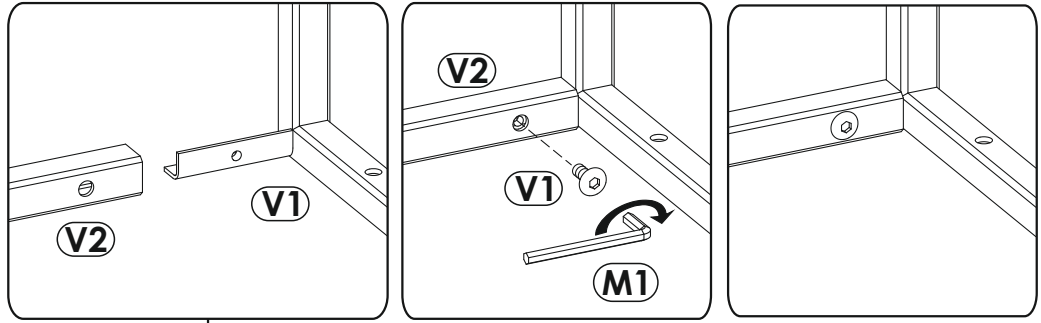


15 ▶

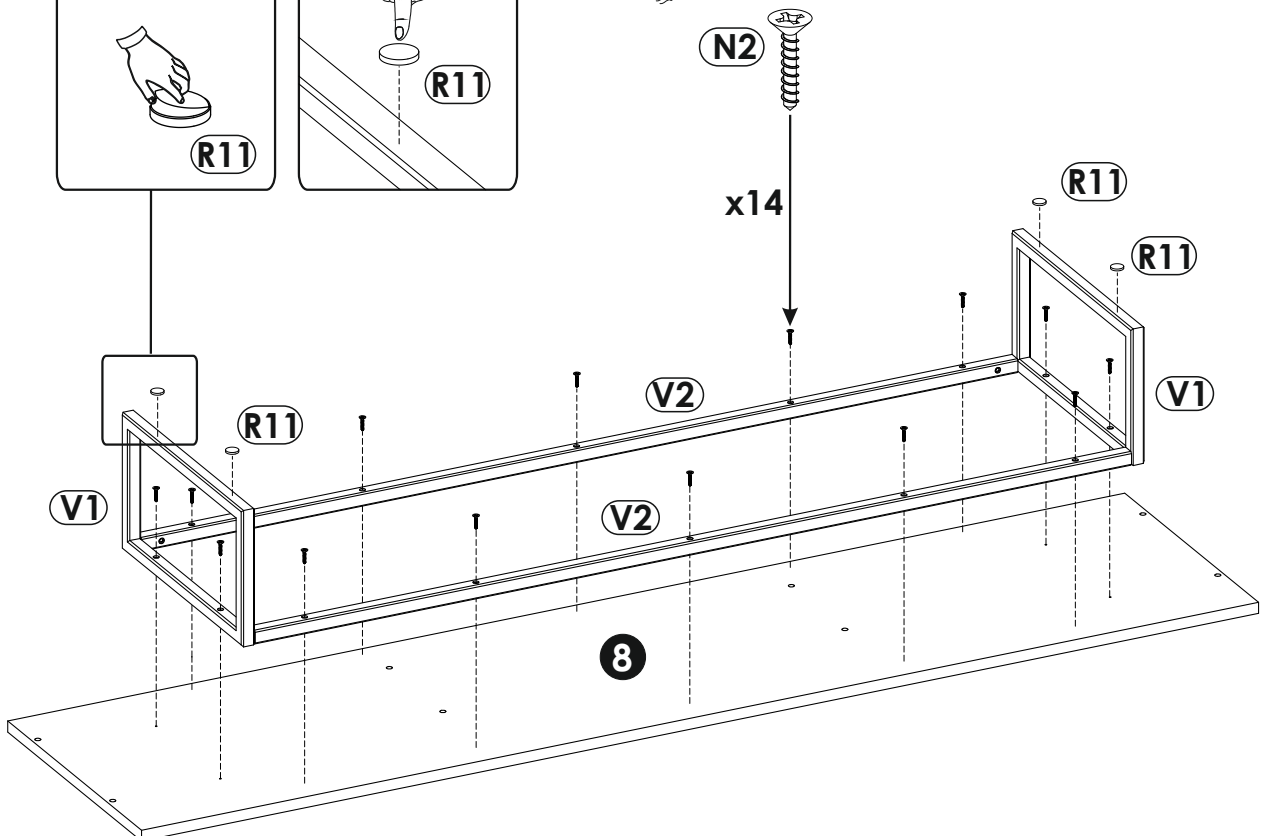
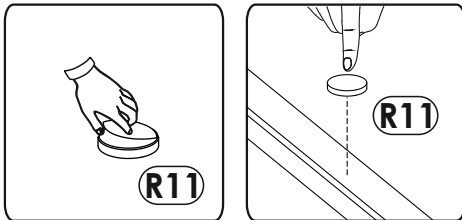




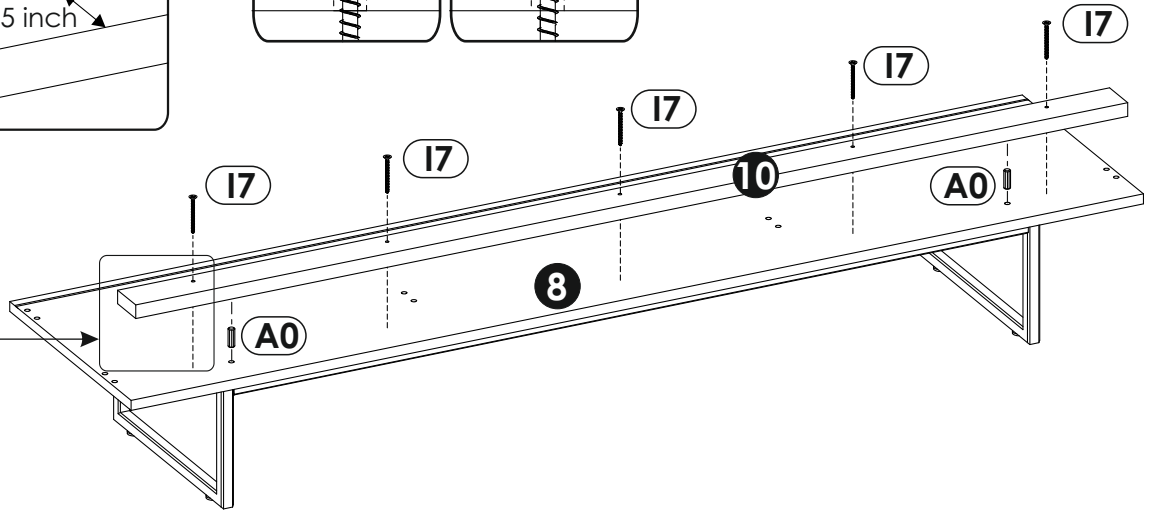
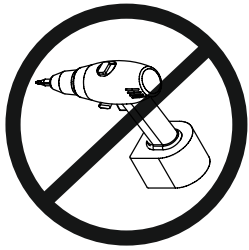
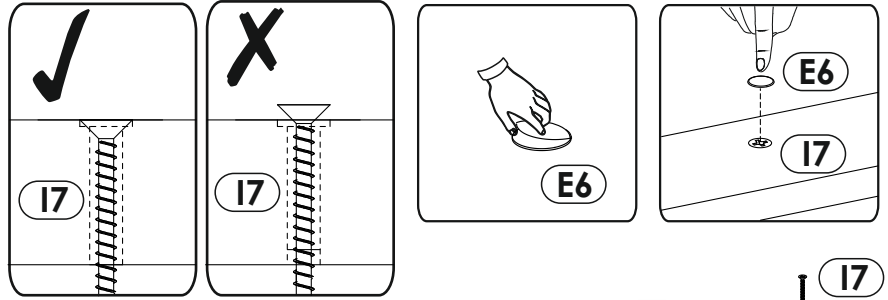
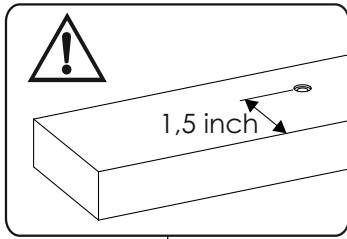
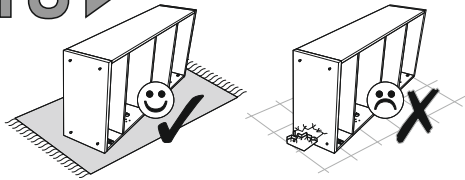
16 ▶



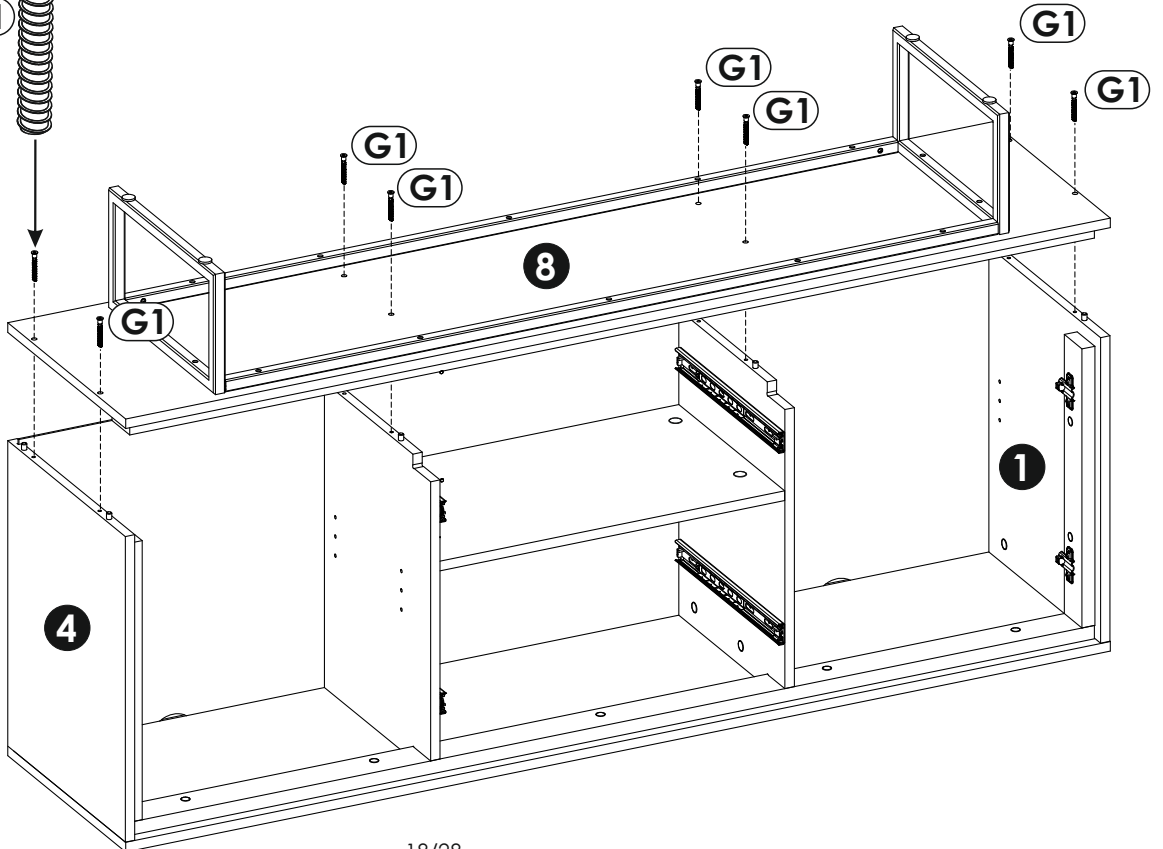
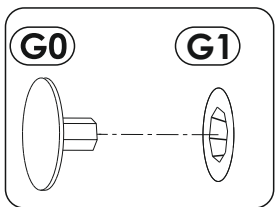
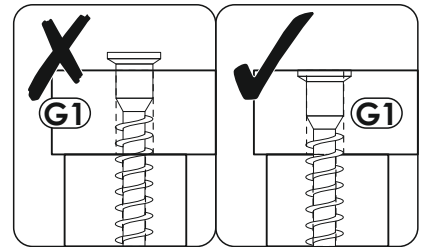
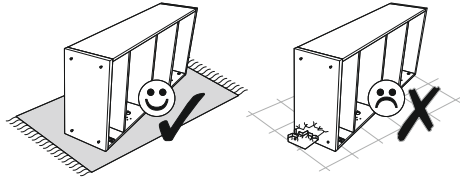
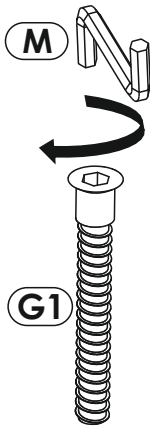
17 ▶



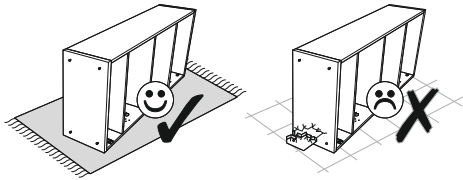
18 ▶



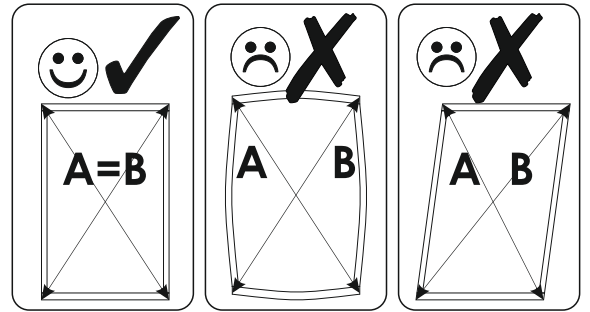
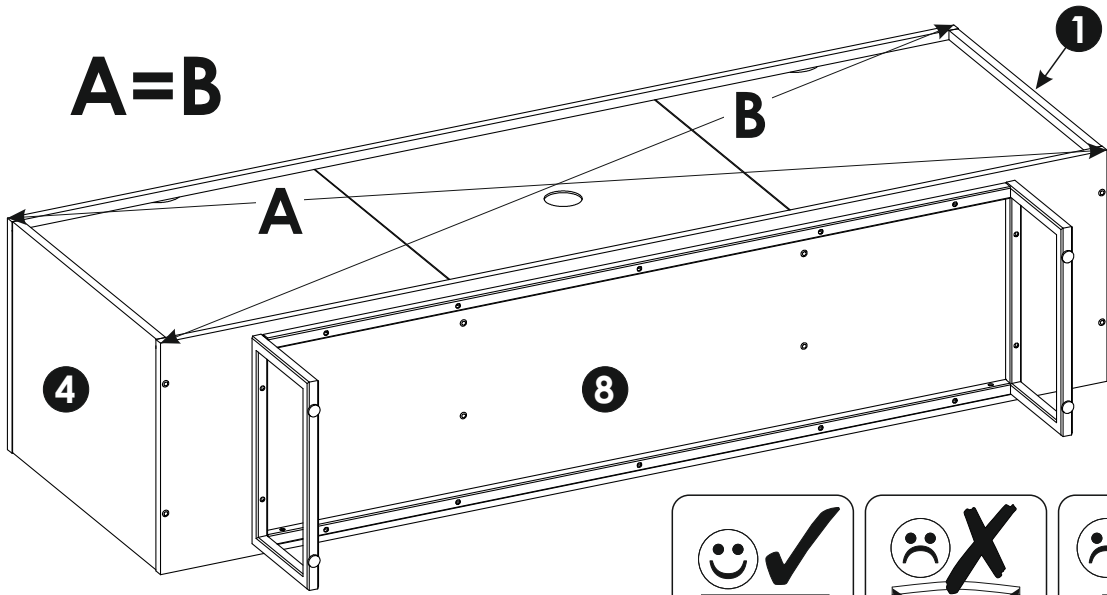
19 ▶



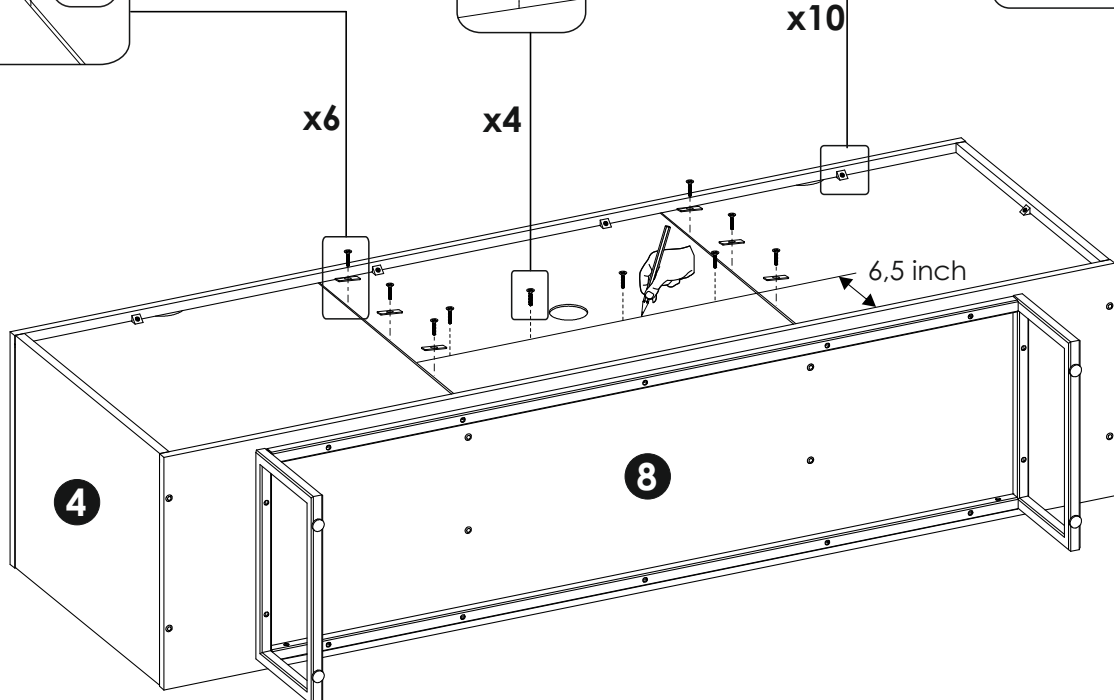
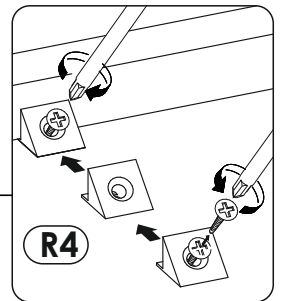
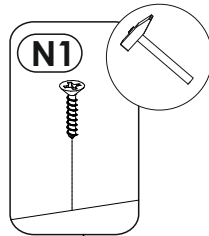
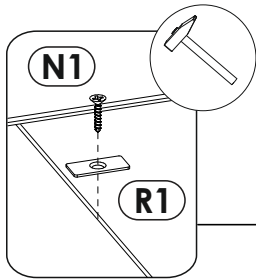
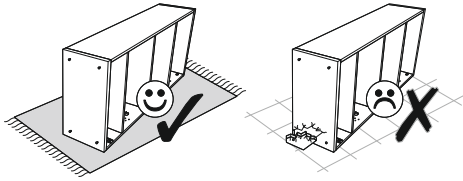
20 ▶



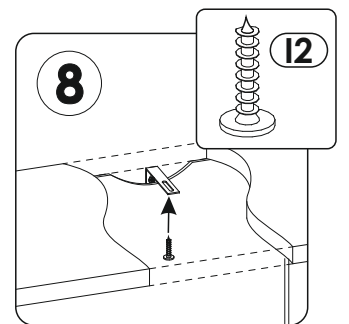
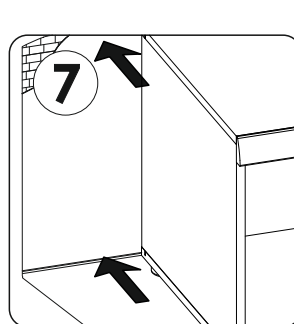
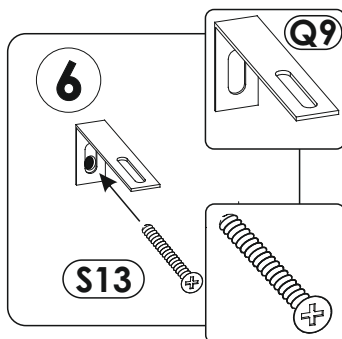
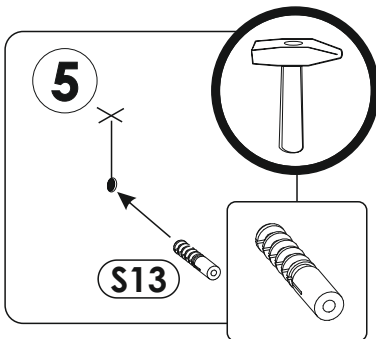
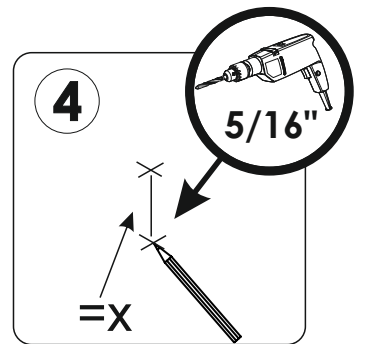
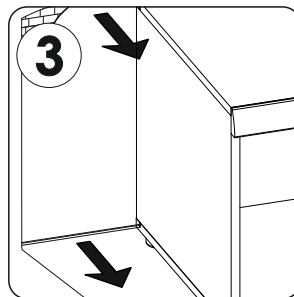
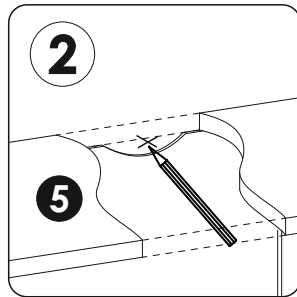
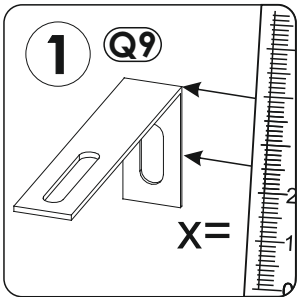
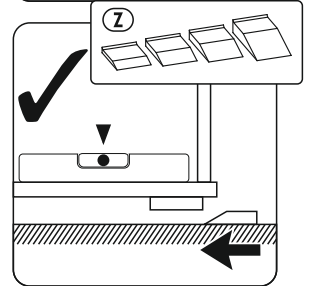
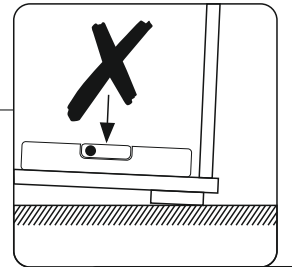
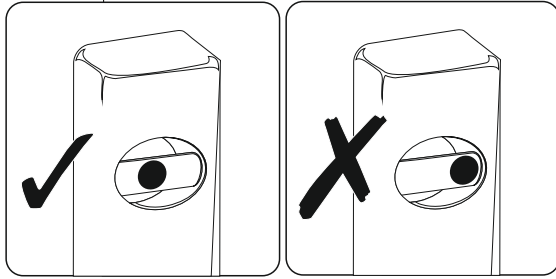
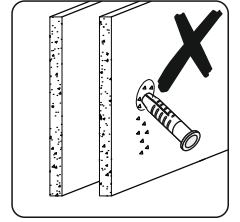
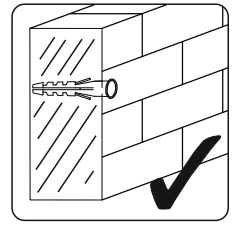
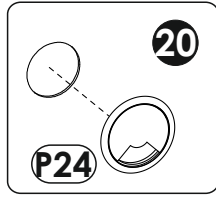
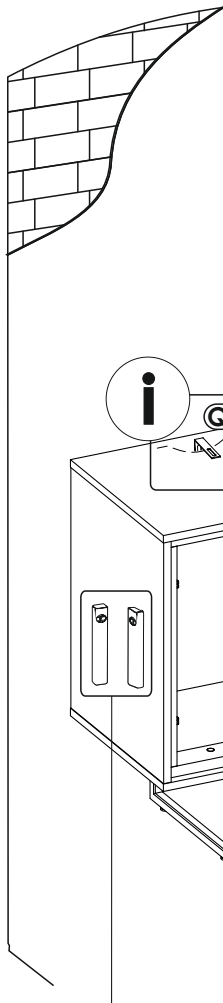
**A=B**



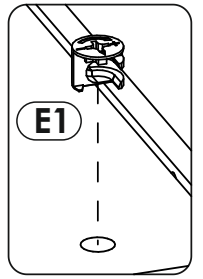
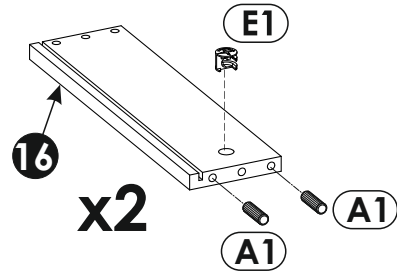
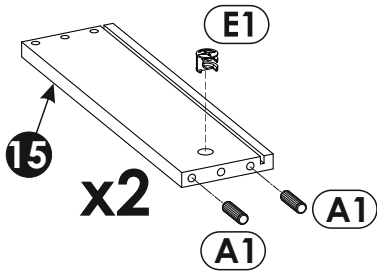
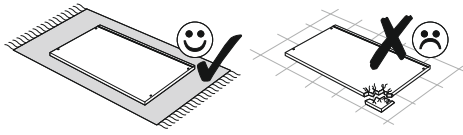
21 ▶



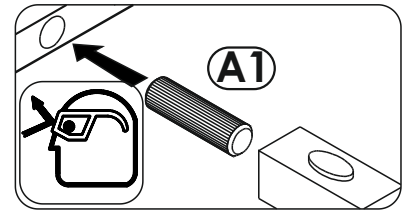
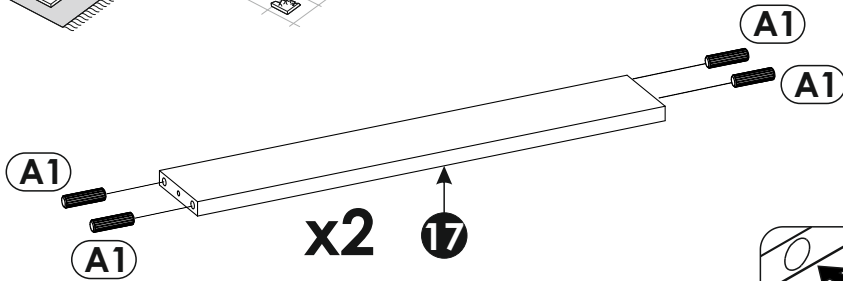
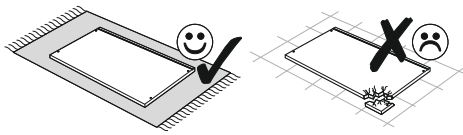
22 ▶



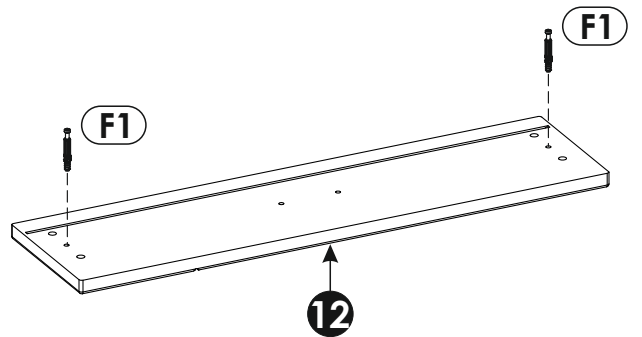
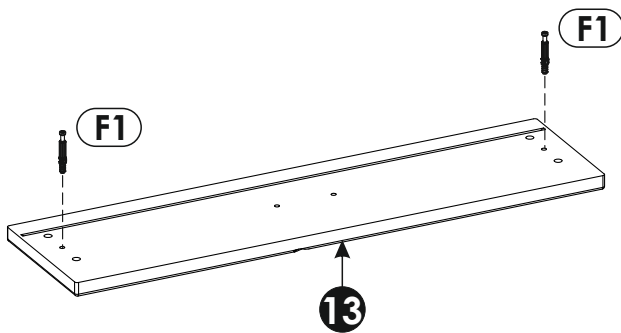
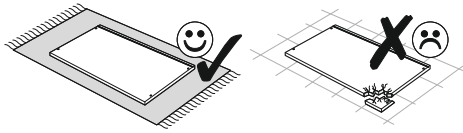
23▶



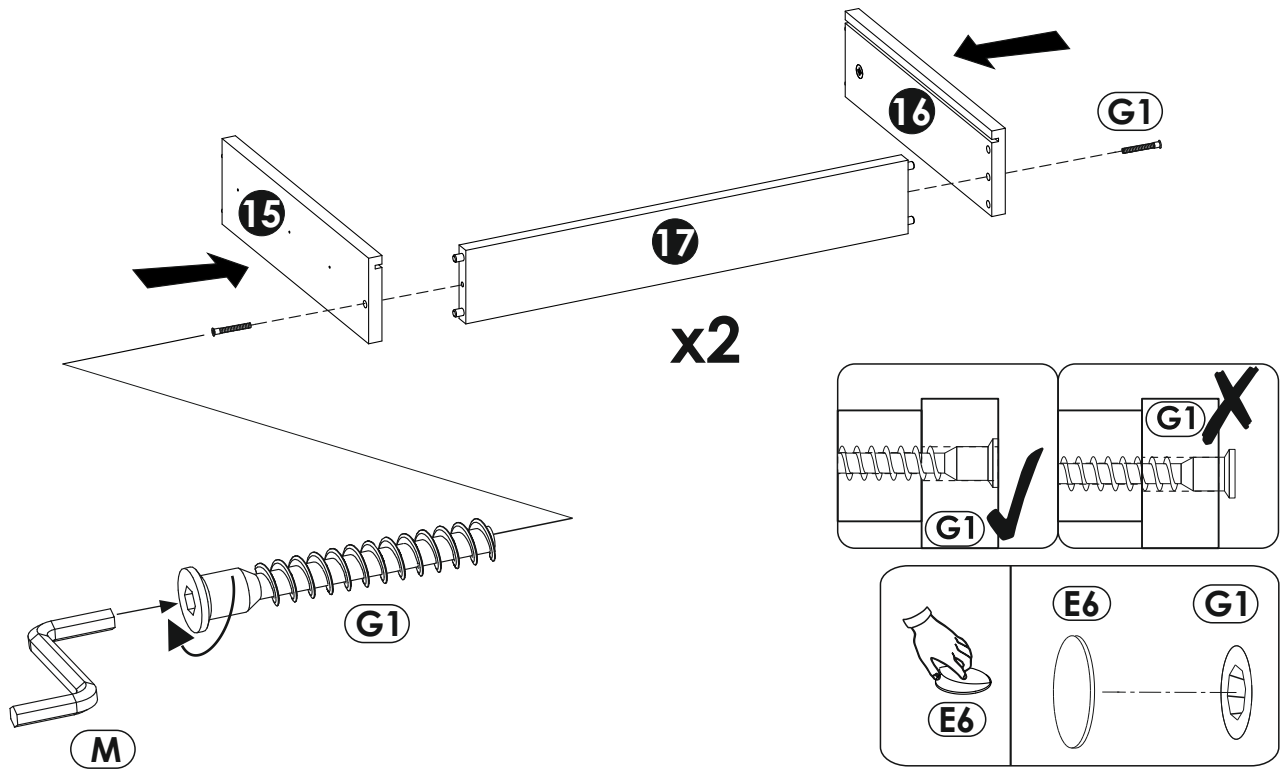
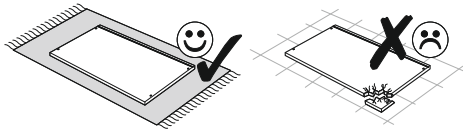
24▶



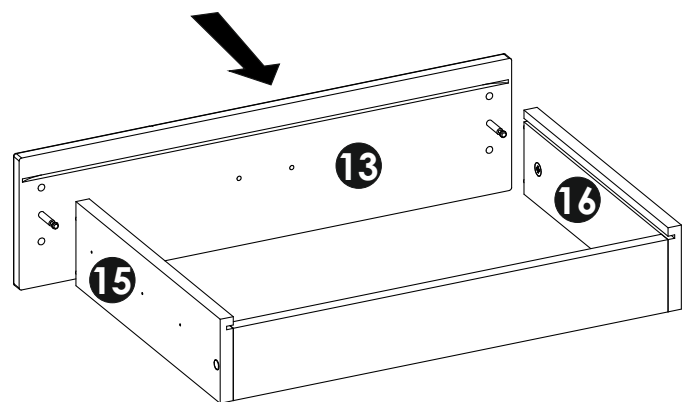
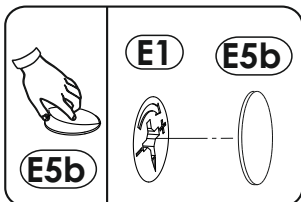
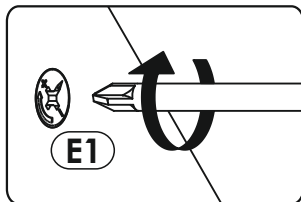
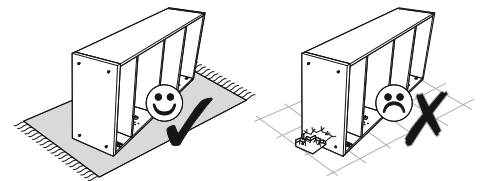
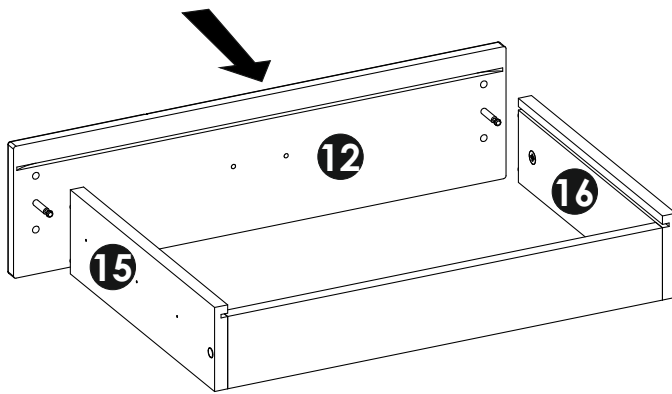
25▶



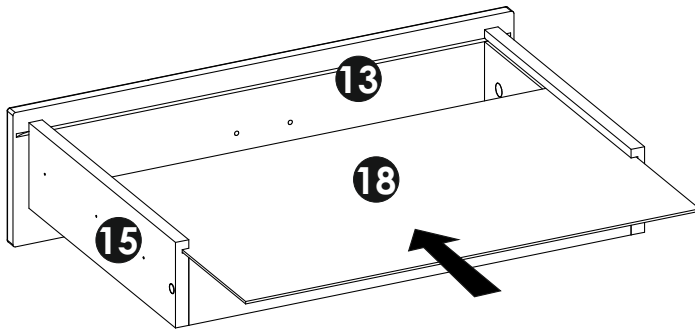
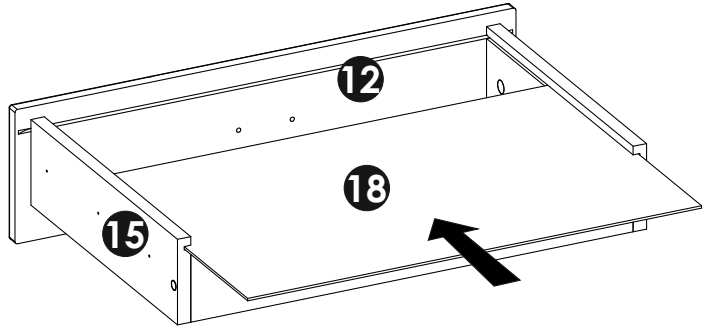
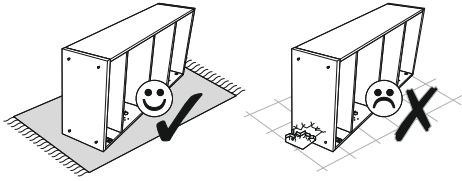
26 ▶



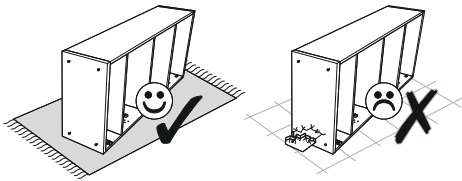
27 ▶



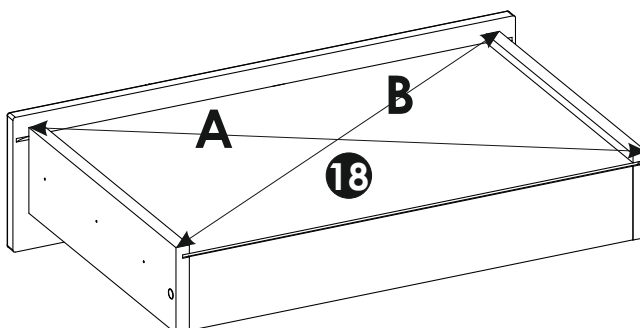
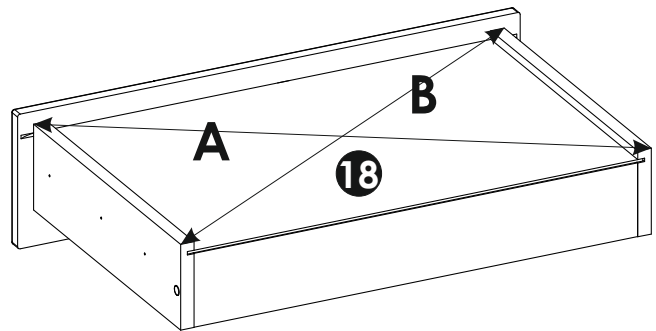
28 ▶



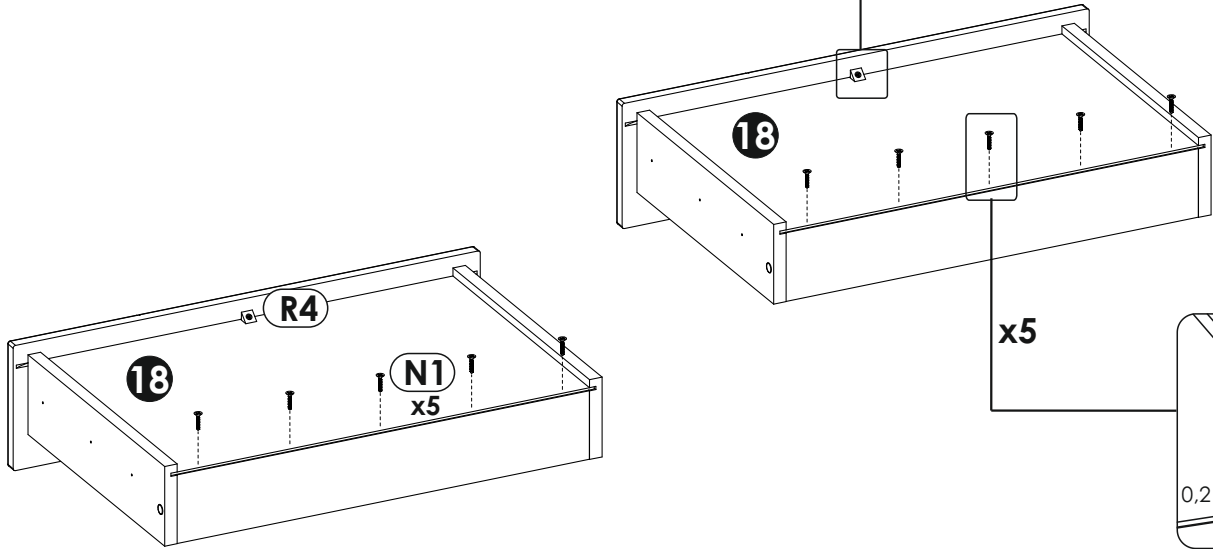
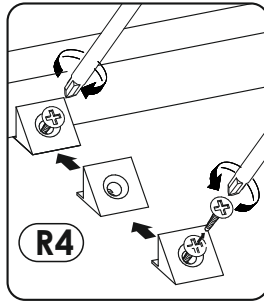
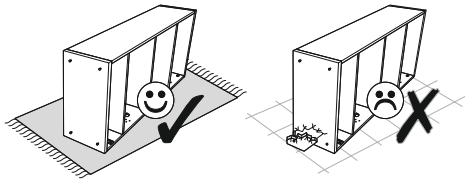
29 ▶



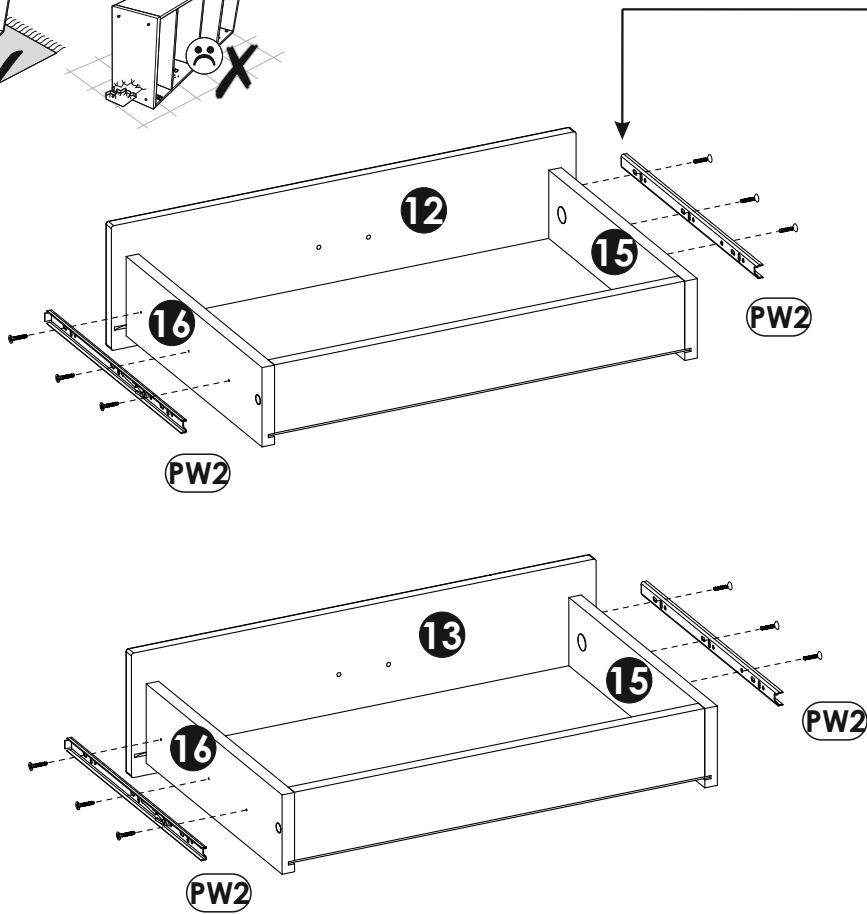
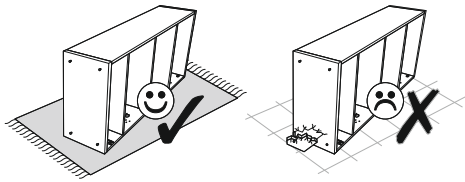
**A=B**



30 ▶

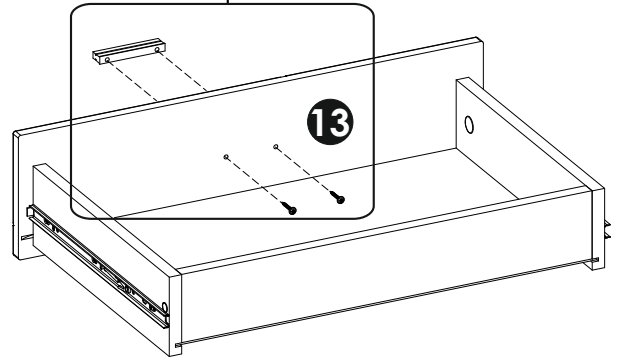
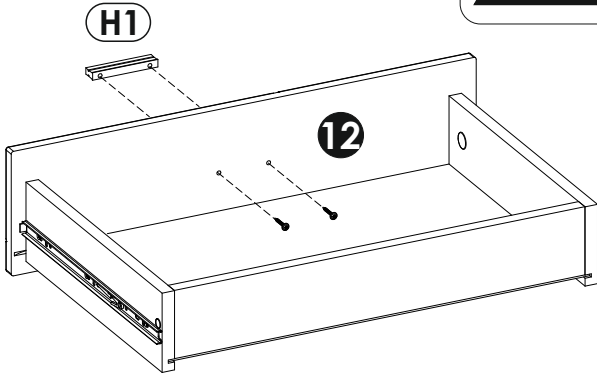
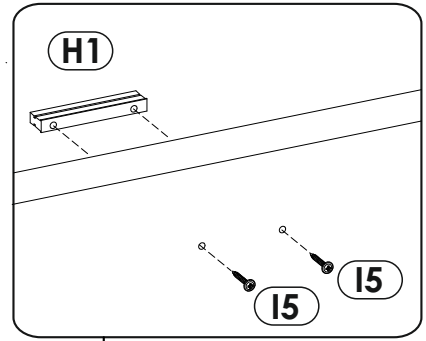
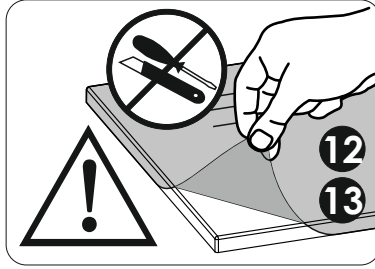
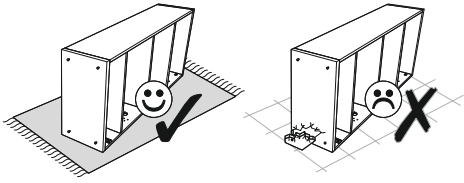


31 ▶

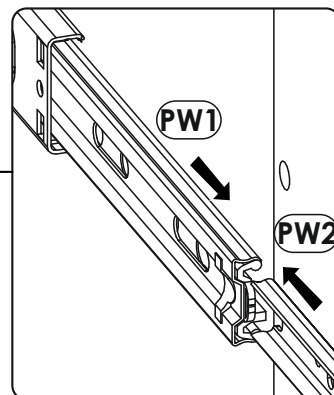
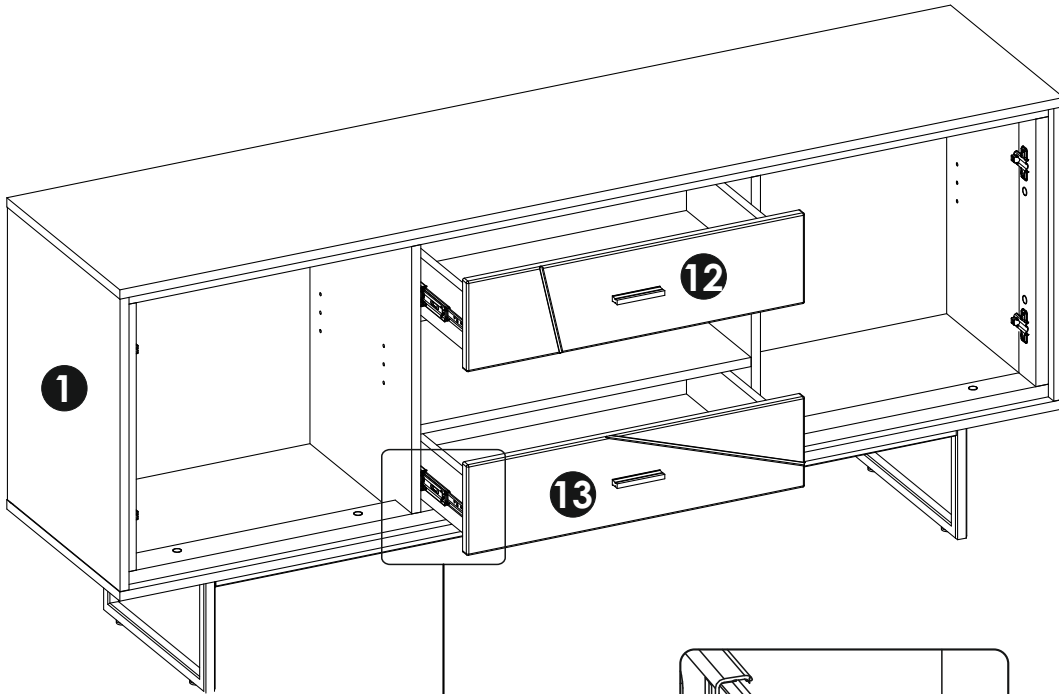




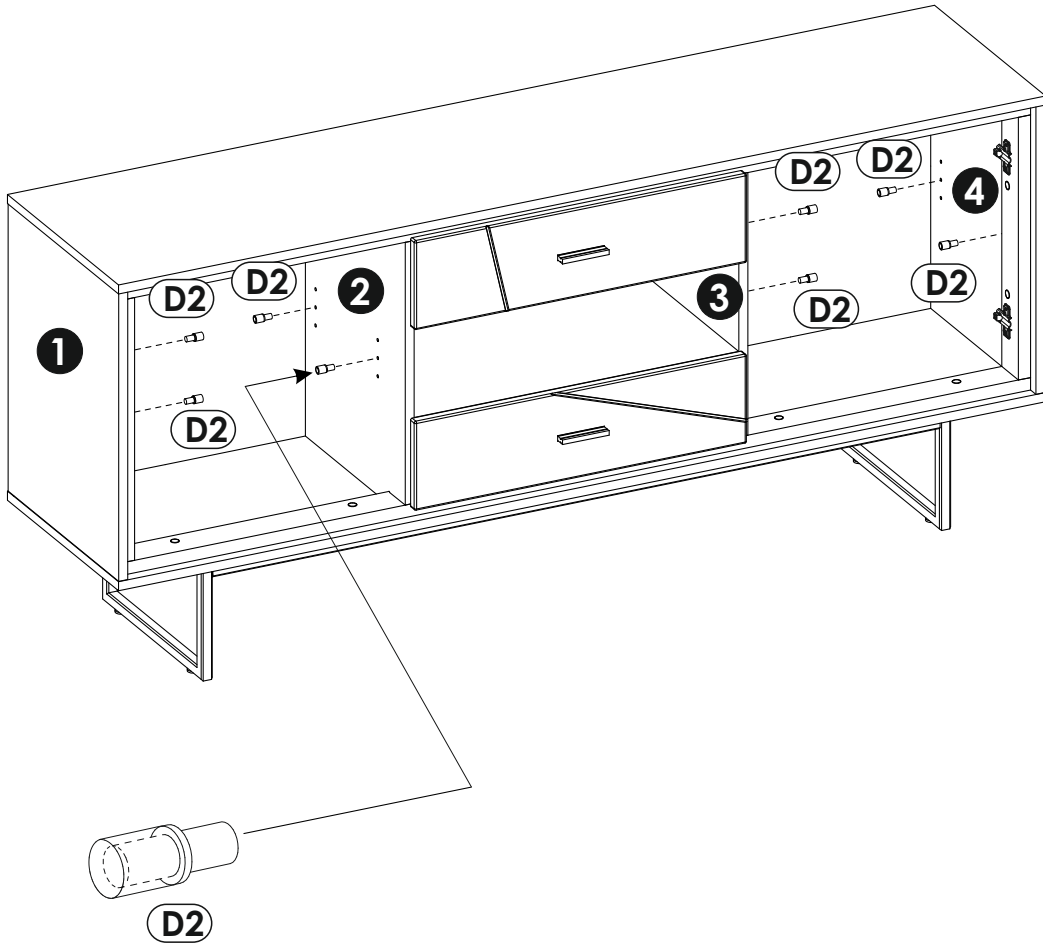
32 ▶



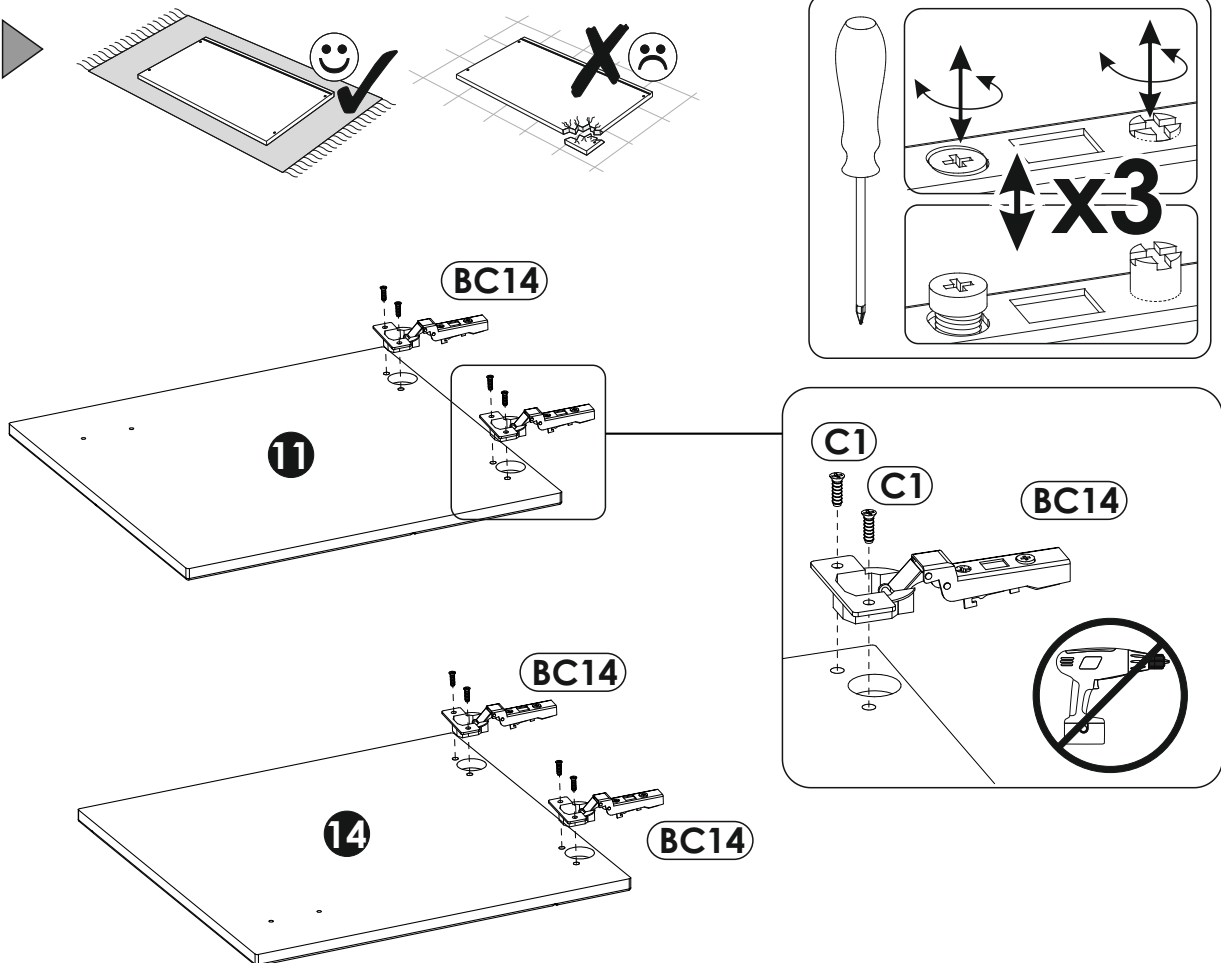
33 ▶



34▶



35▶



# 36 ▶

