

ADIS

ADIS_18_IM

OP-28,48

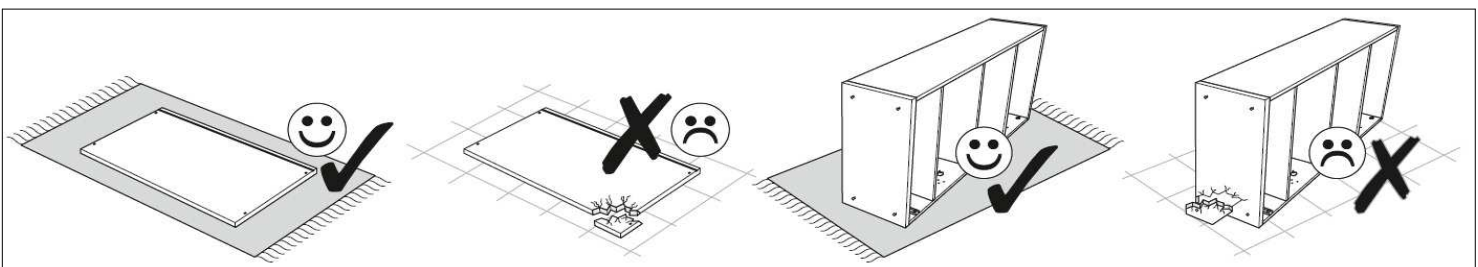
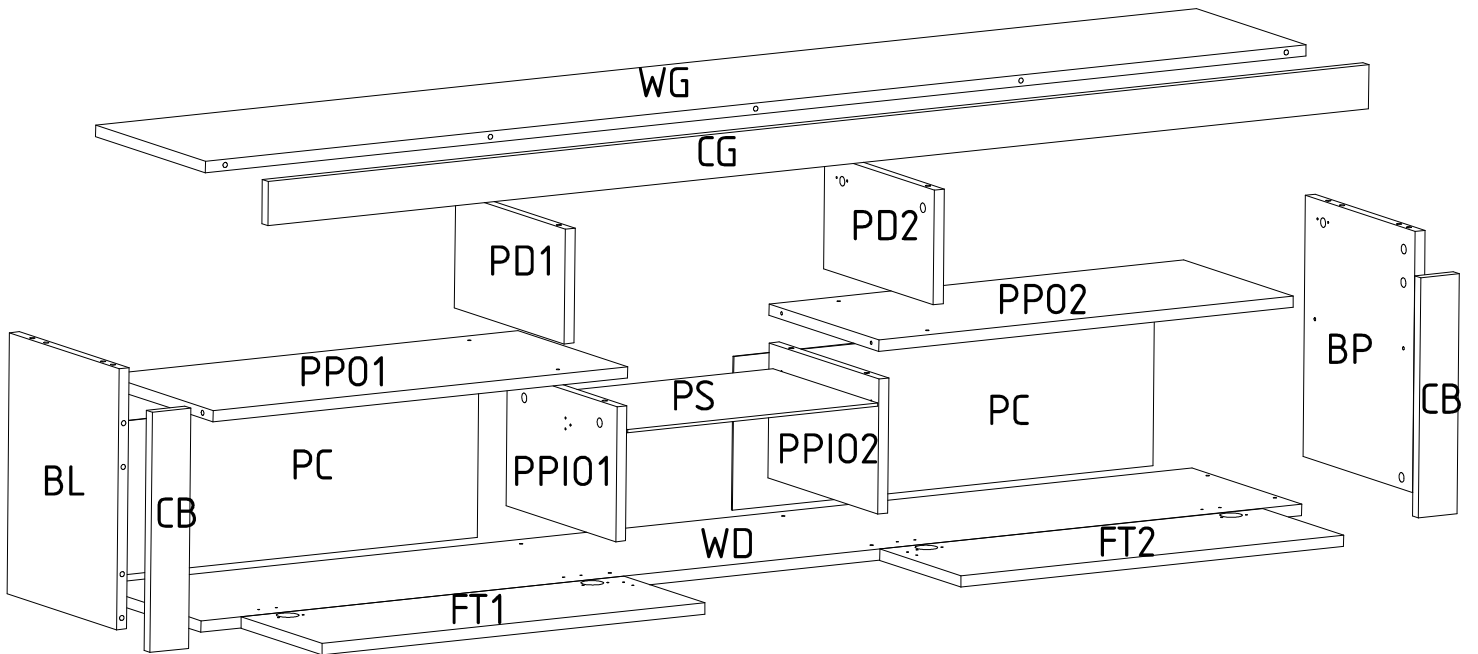
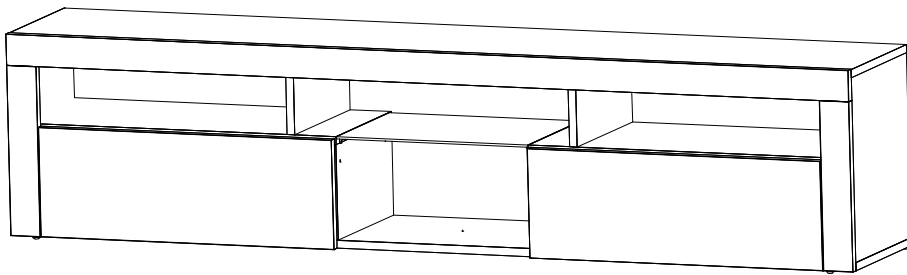
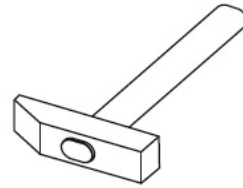
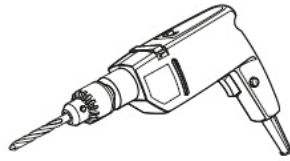
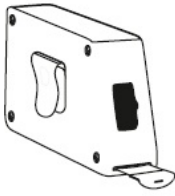
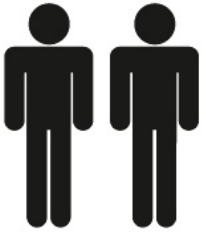
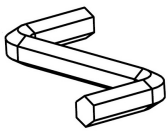
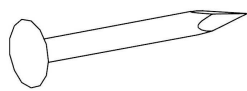
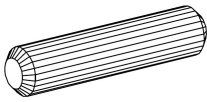
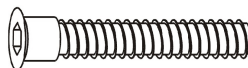

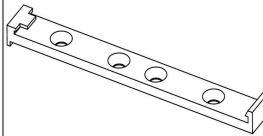
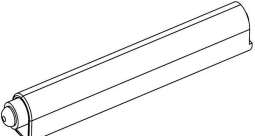
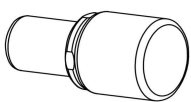
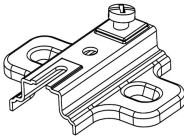
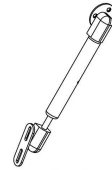
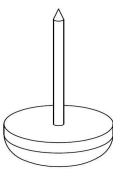
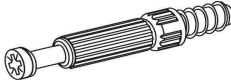
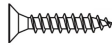
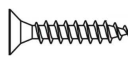
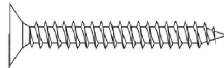
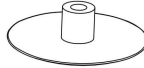
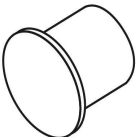

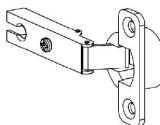
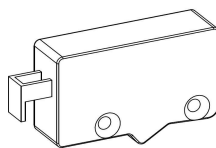
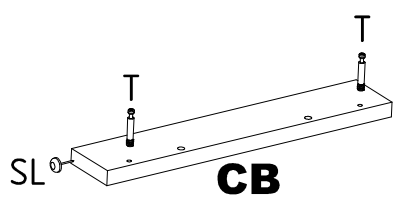
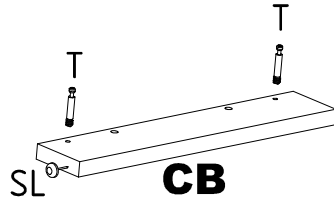
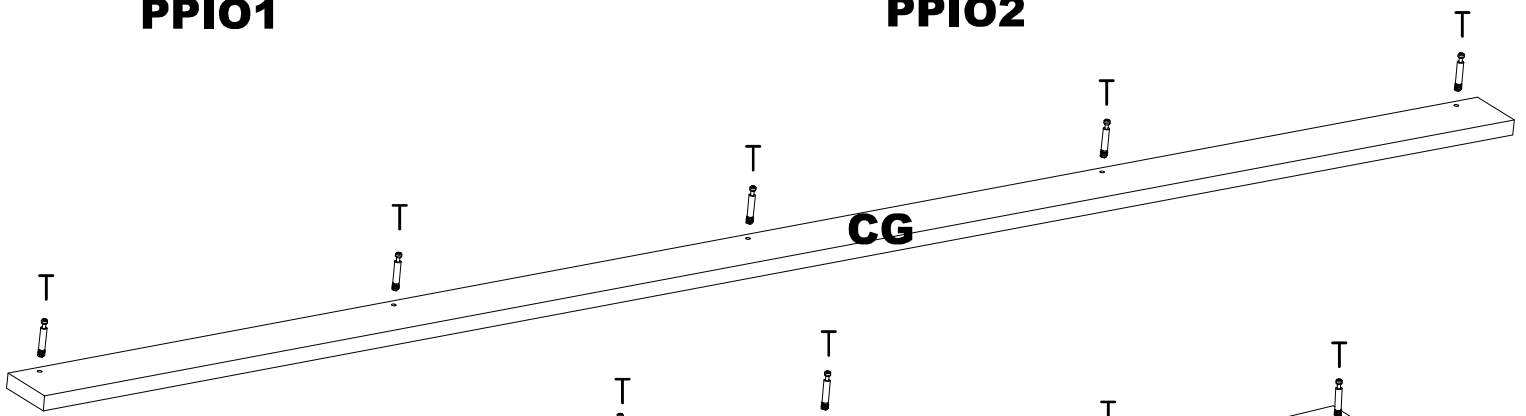
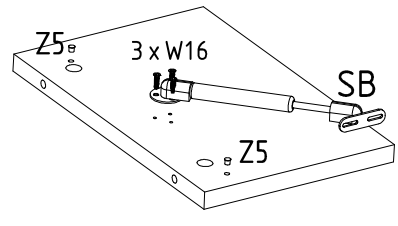
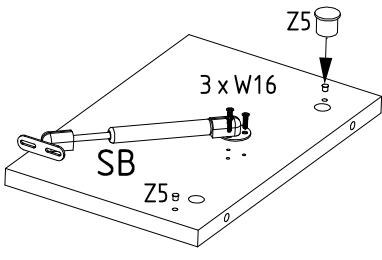
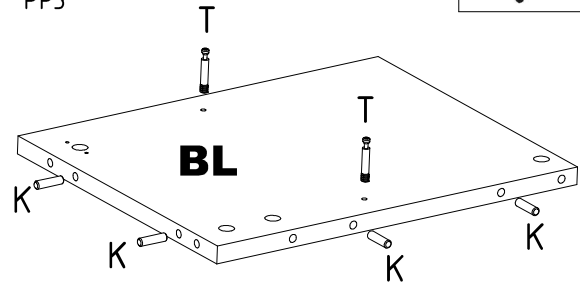
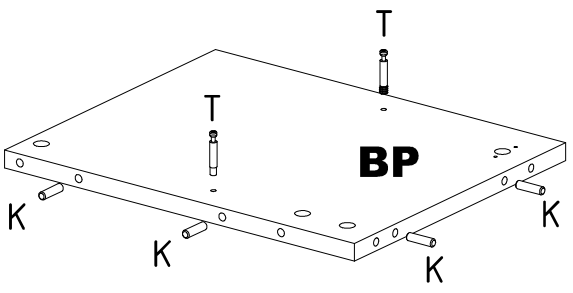
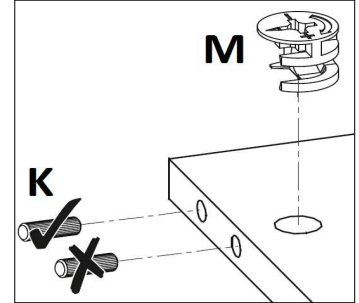
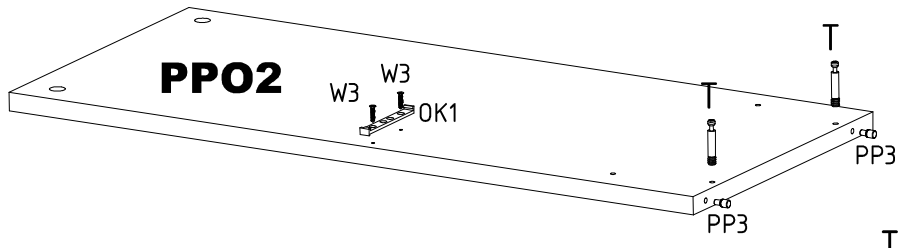
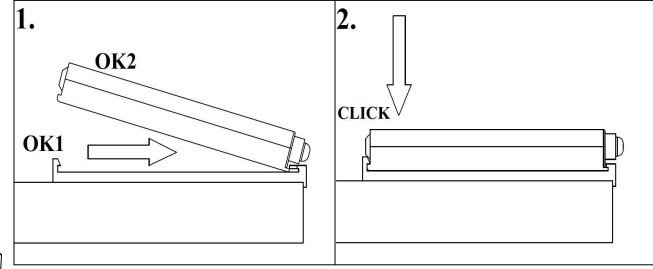
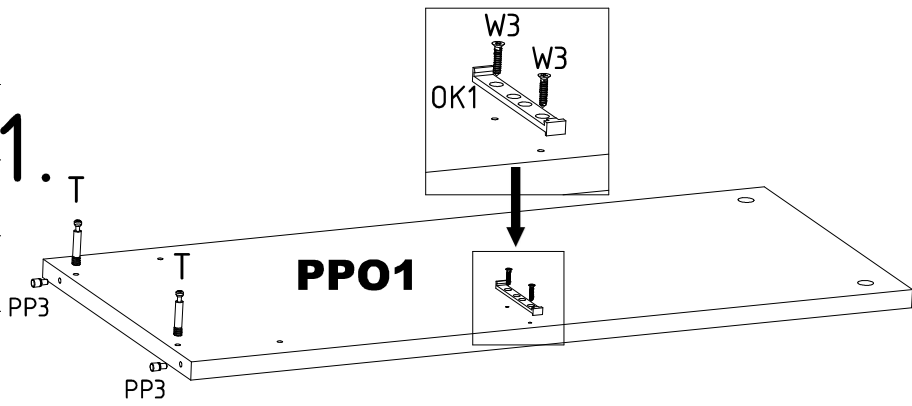
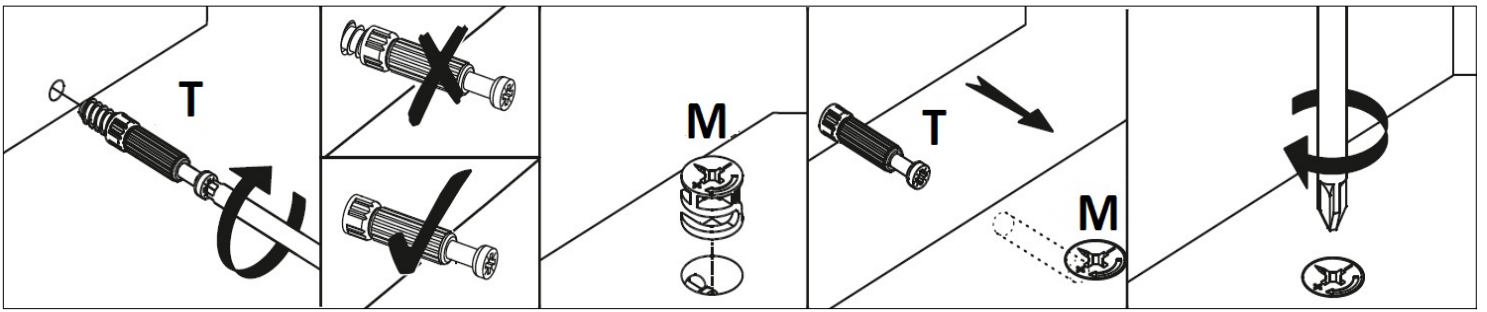


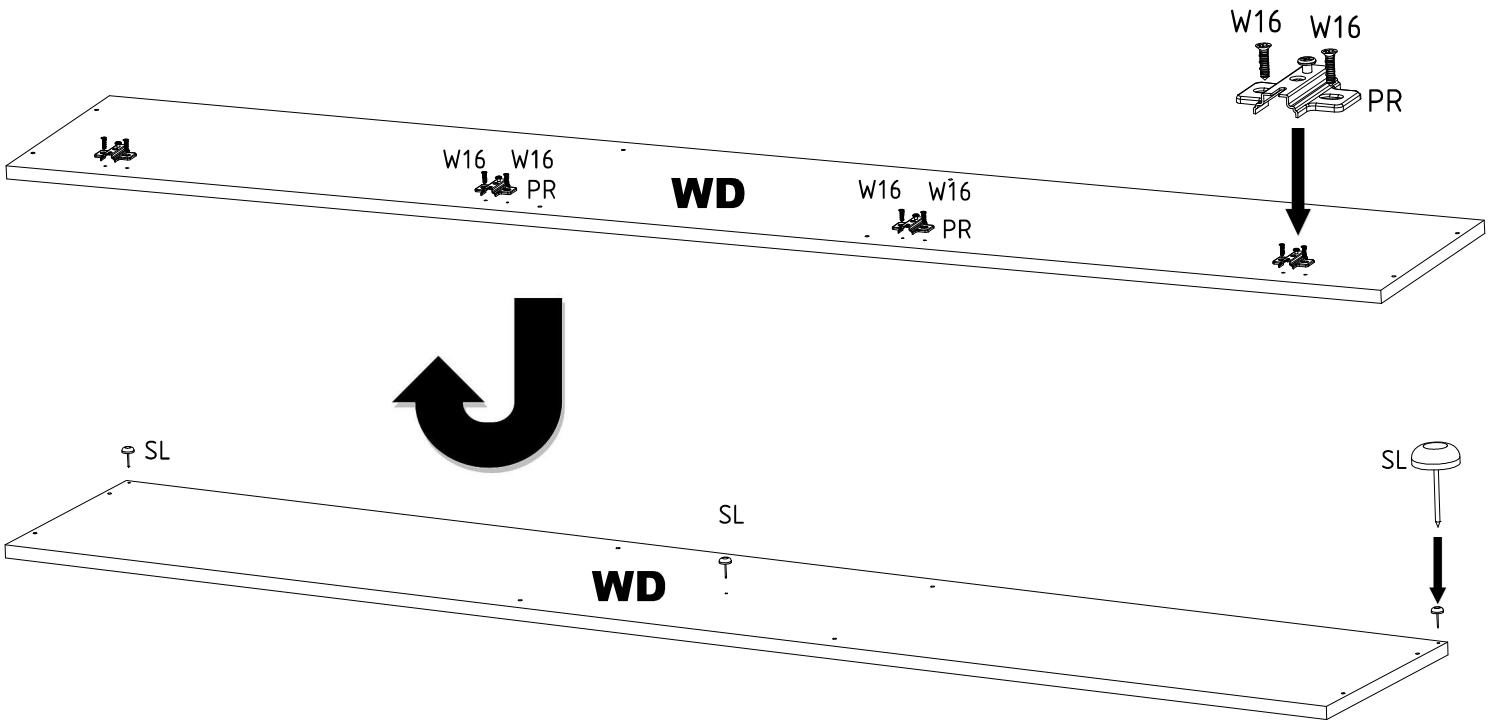
Table accessories

ADIS_18

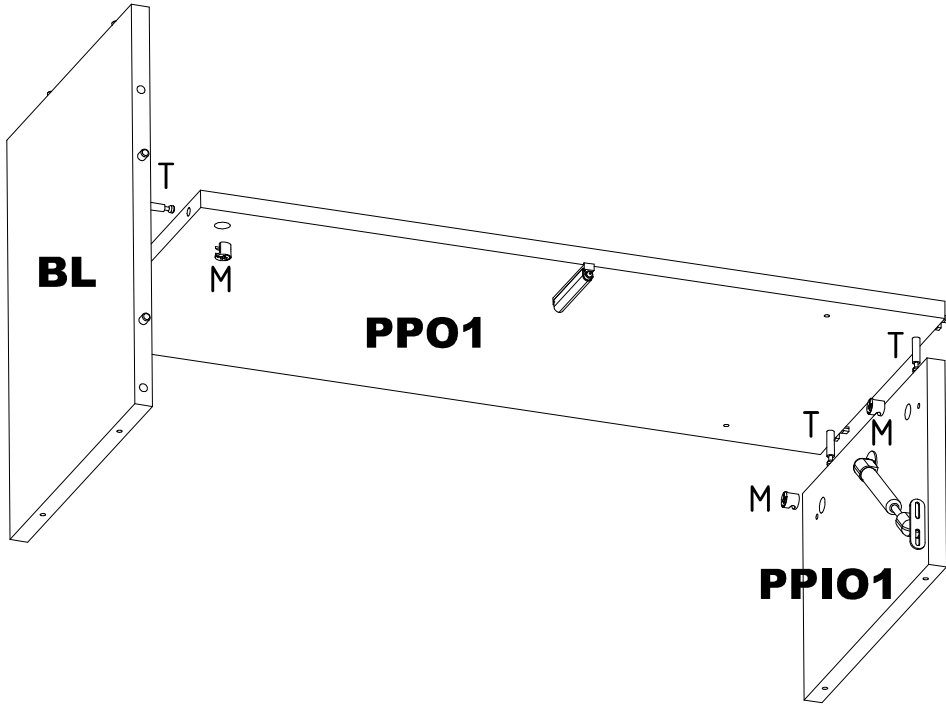
 A1	 G	8 x 30  K	6,3 X 50  KN	15 x 12  M
 OK1	 OK2	 PP3	 PR	 SB
 SL	6 x 34 mm  T	4 x 16  W16	3 x 16mm  W3	4 X 35  W30
 Z	 Z5	 ZK	 ZP	 ZR

Elements				Accessories	
SYMBOL	LENGTH	WIDTH	QUANTITY	SYMBOL	QUANTITY
BL	16.3	13.07	1	A1	1
BP	16.3	13.07	1	G	44
CB	15	2.76	2	K	8
CG	78.74	2.76	1	KN	12
FT1	27.36	9.76	1	M	25
FT2	27.36	9.76	1	OK1	2
PC	30.08	9.61	2	OK2	2
PD1	13.07	7.17	1	PP3	4
PD2	13.07	7.17	1	PR	4
PPI01	13.07	8.43	1	SB	2
PPI02	13.07	8.43	1	SL	5
PP01	29.65	13.07	1	T	25
PP02	29.65	13.07	1	W16	30
PS	17.87	12.48	1	W3	4
WD	78.74	13.07	1	W30	8
WG	78.74	13.07	1	Z	23
				Z5	4
				ZK	12
				ZP	4
				ZR	4

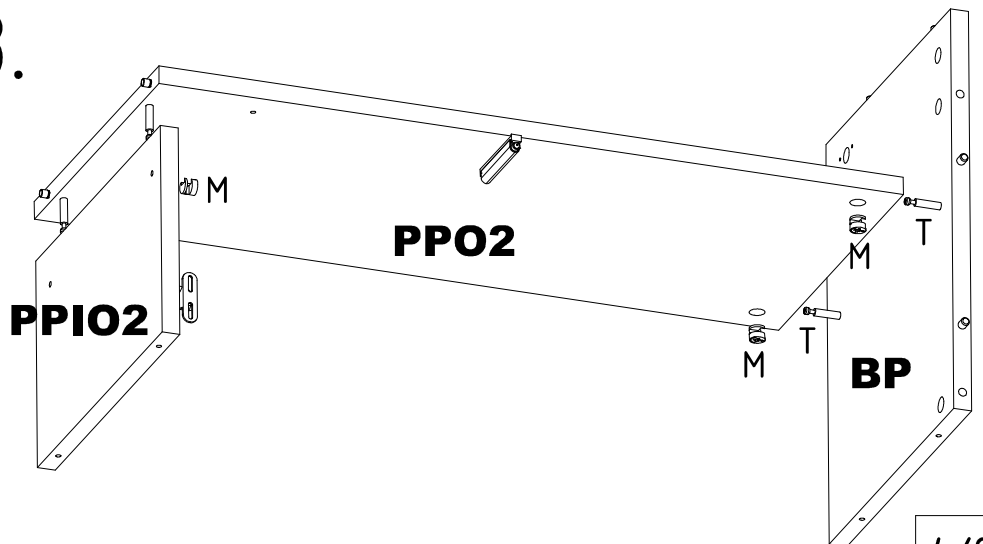




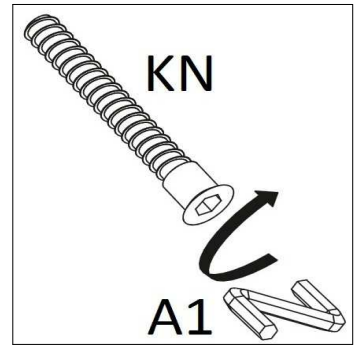
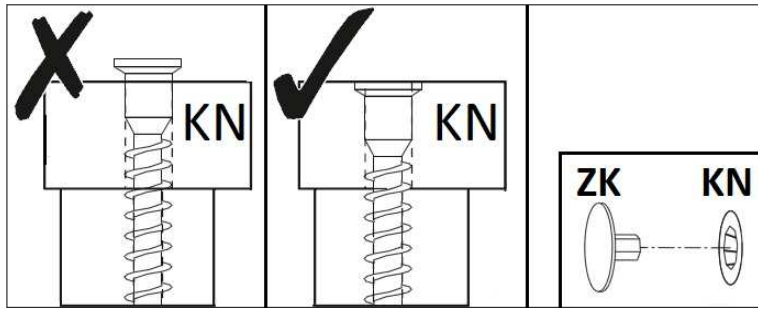
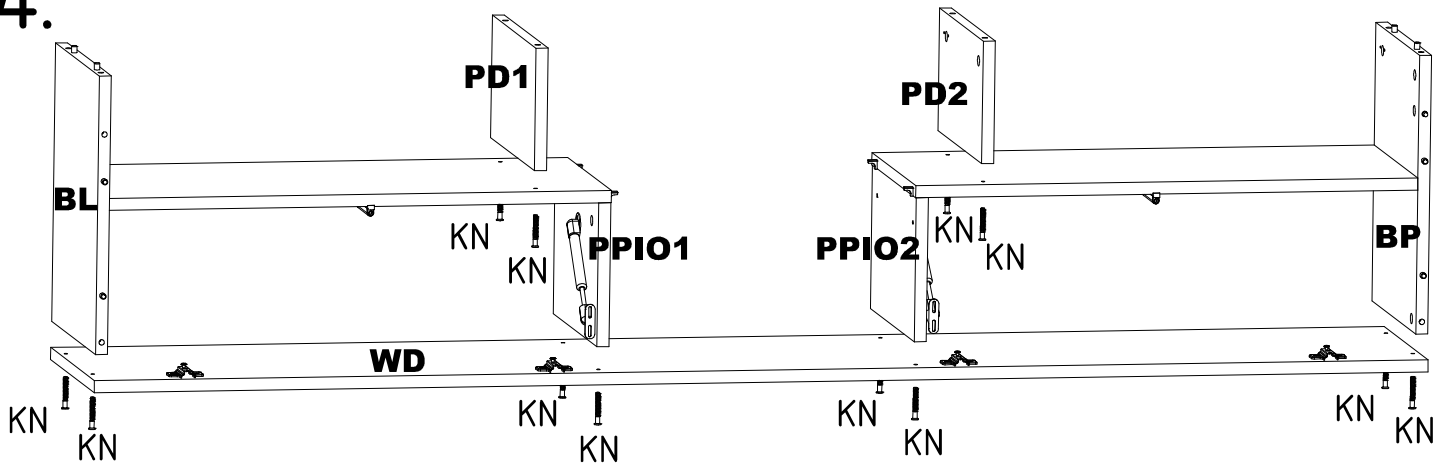
2.



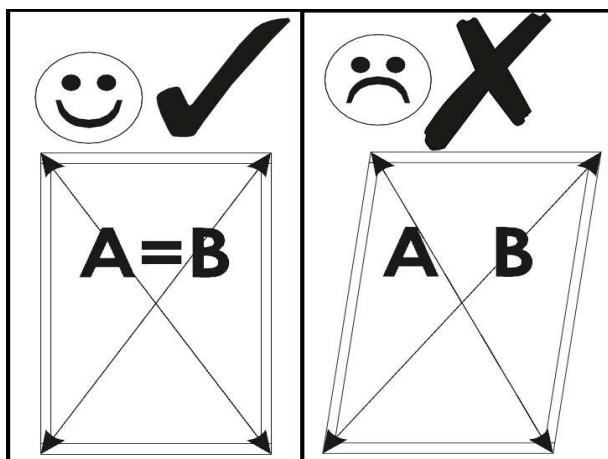
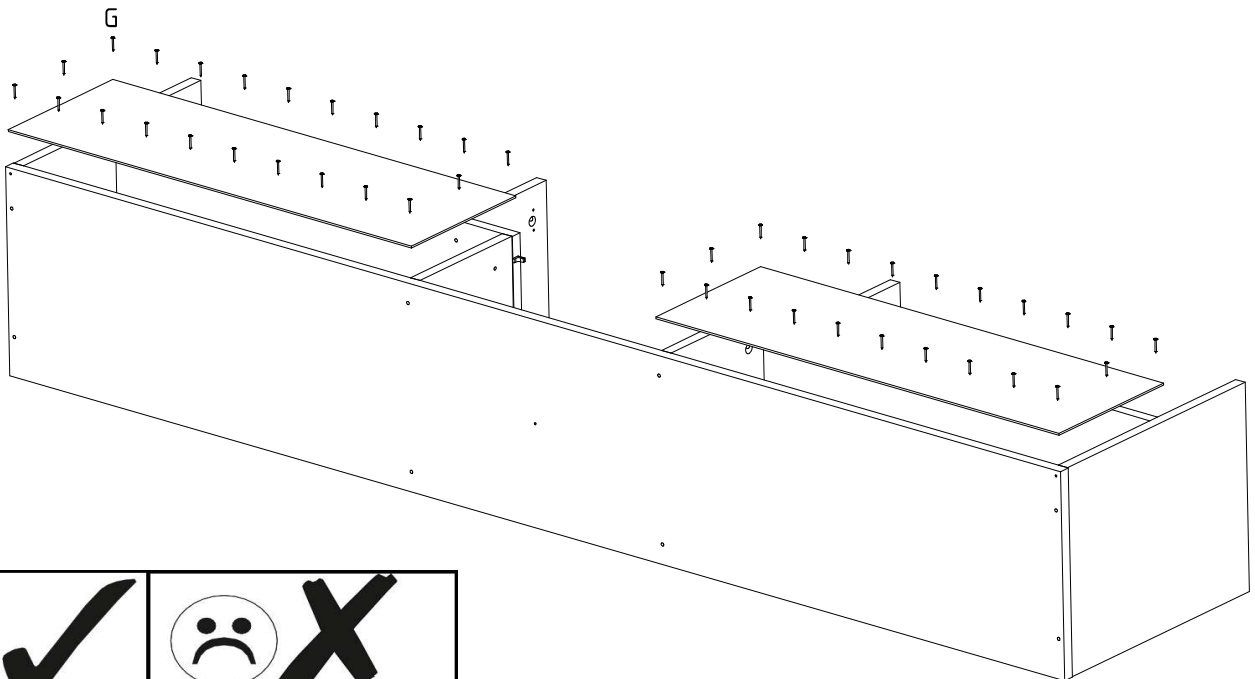
3.



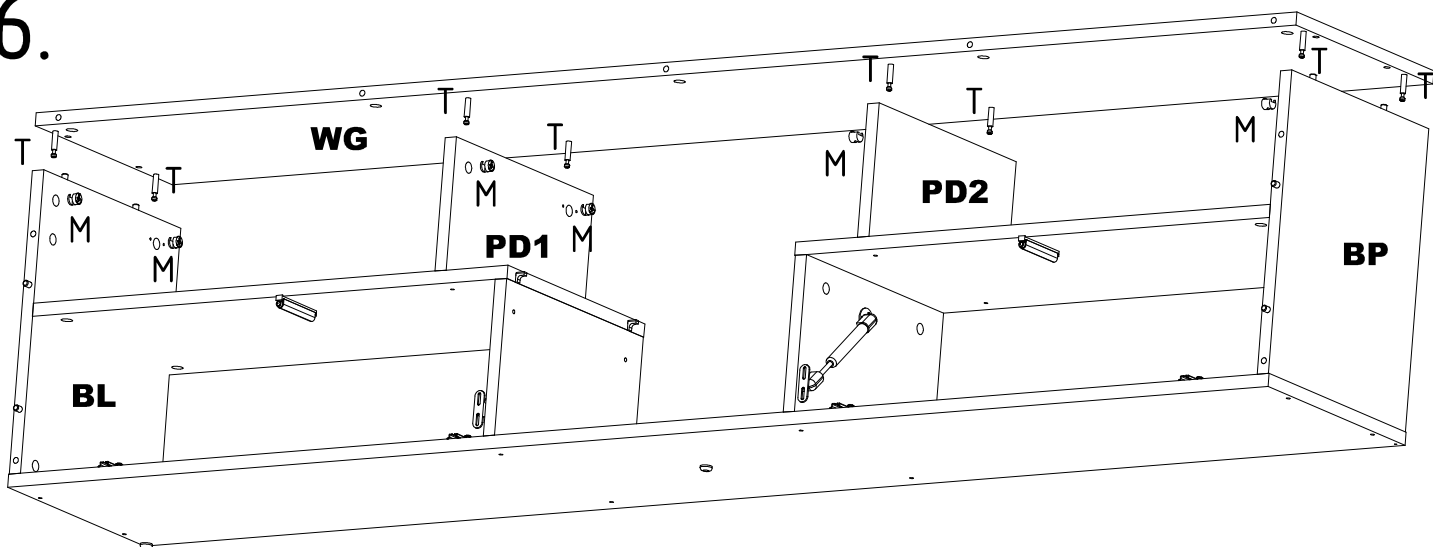
4.



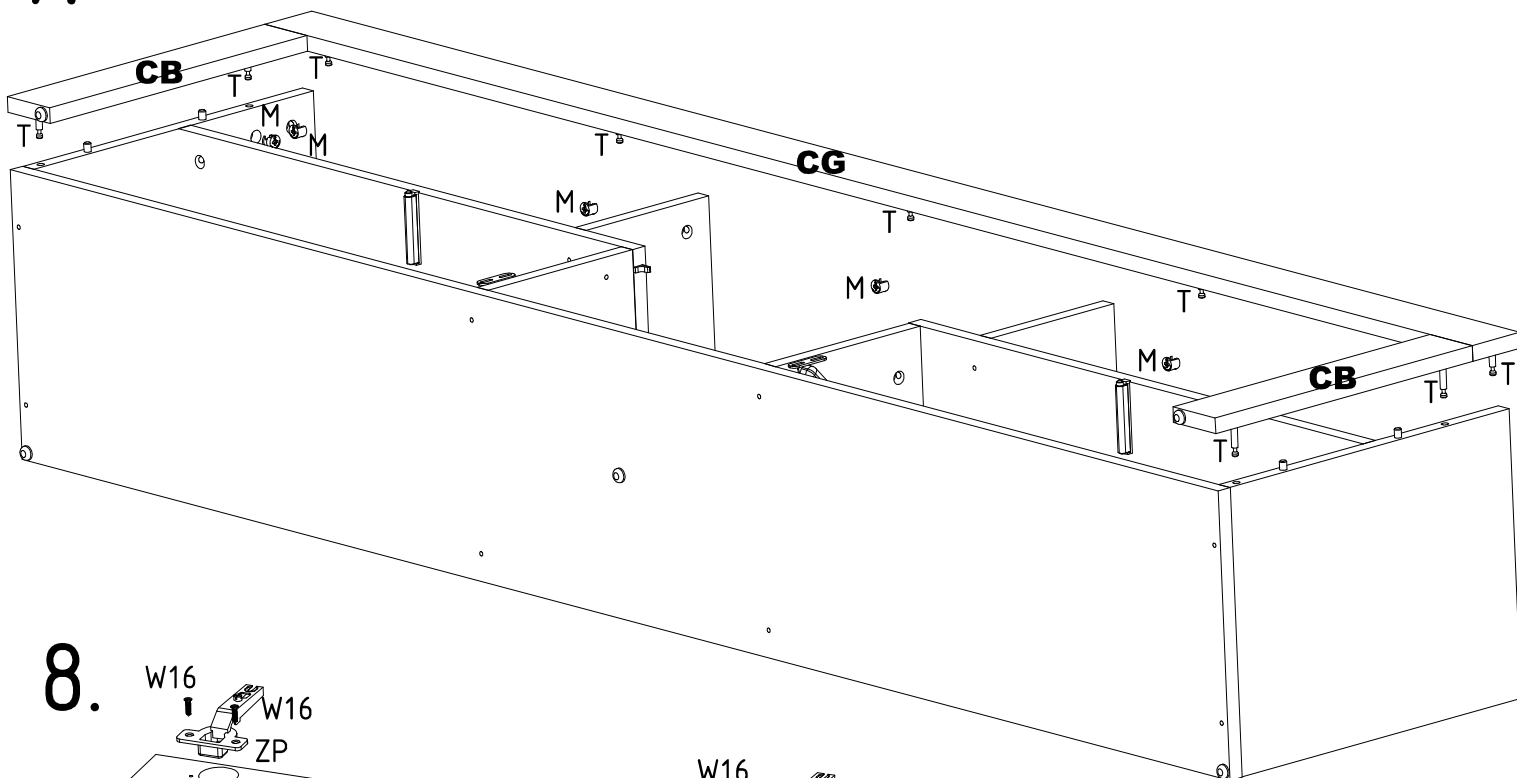
5.



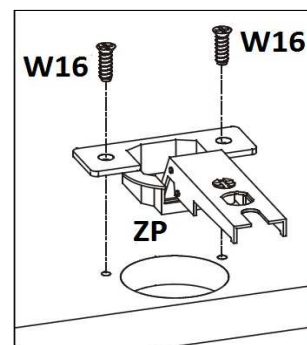
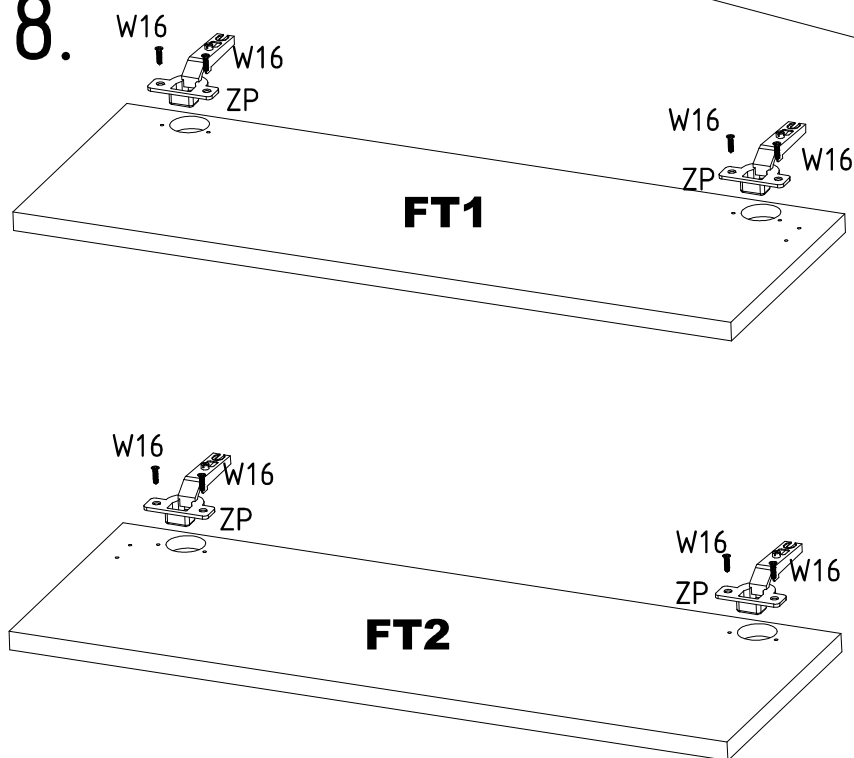
6.



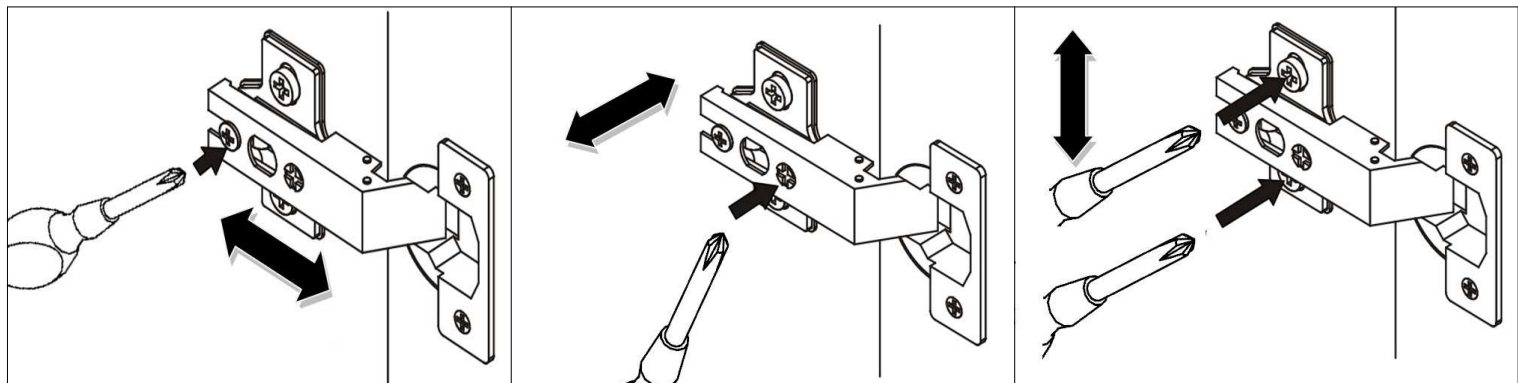
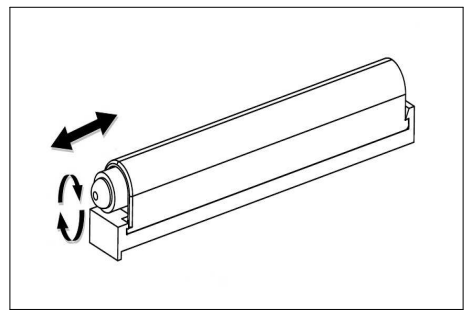
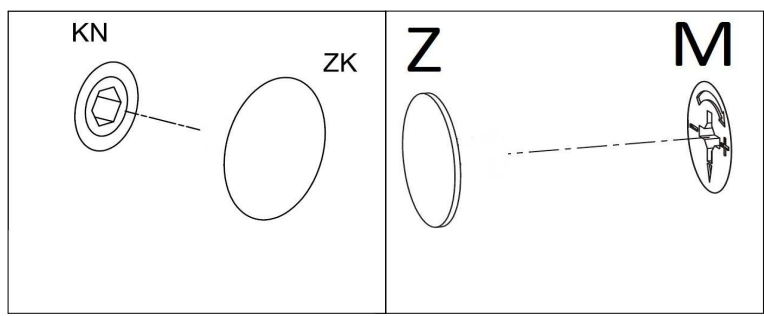
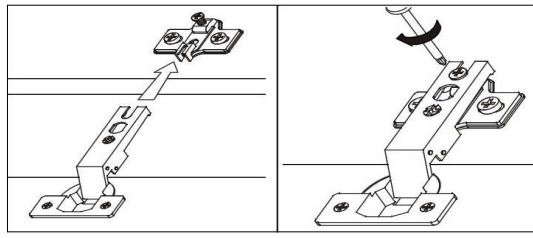
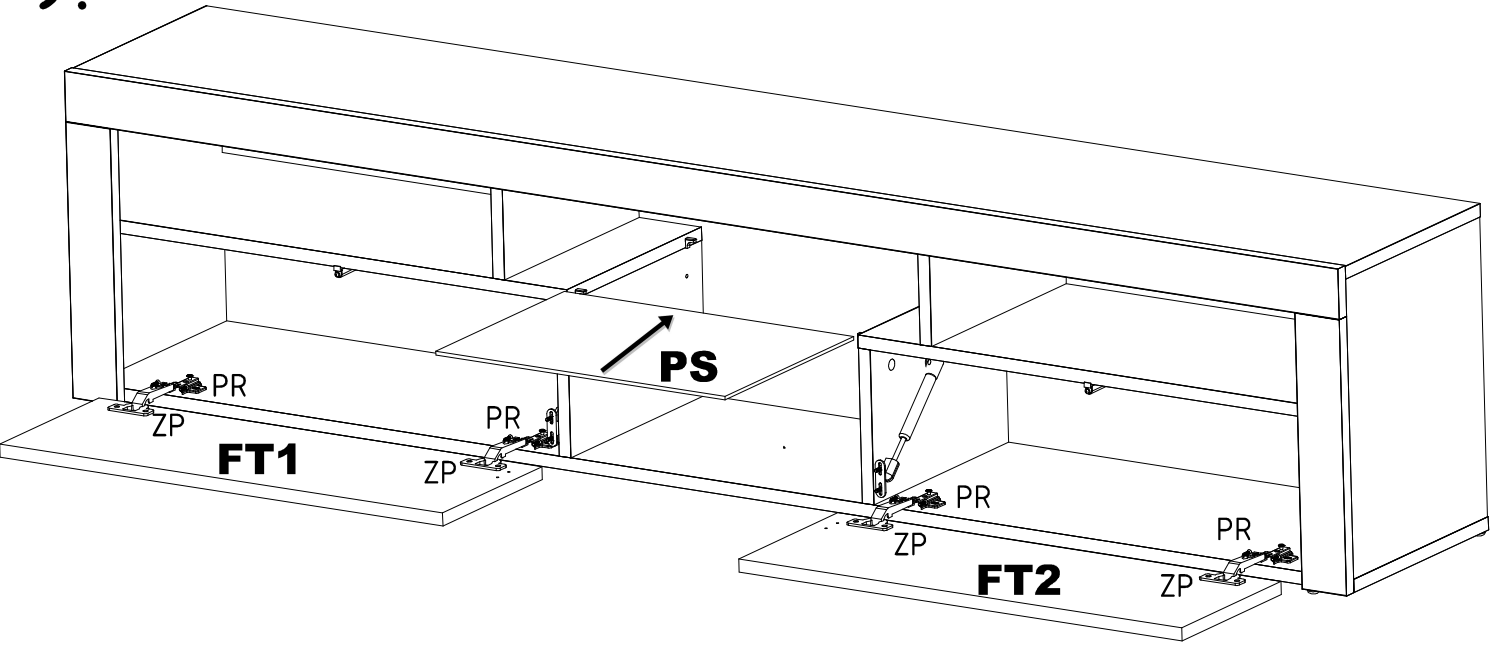
7.



8.



9.



10.

