

ADIS

ADIS_12_IM

0P-39

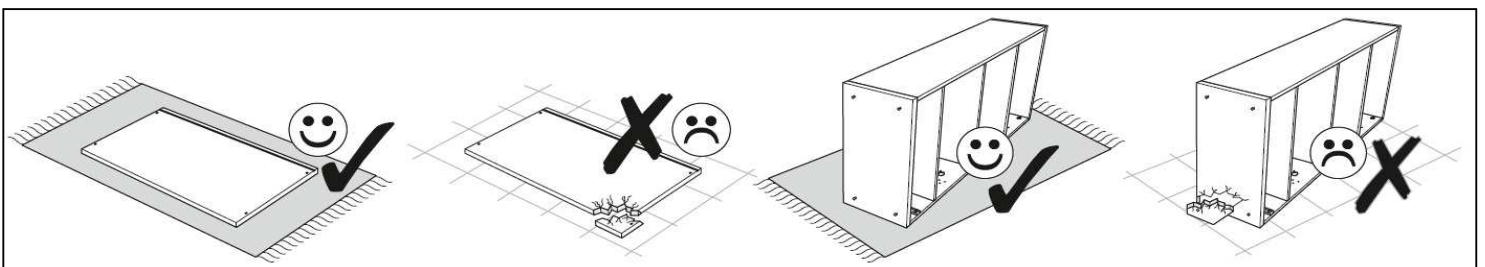
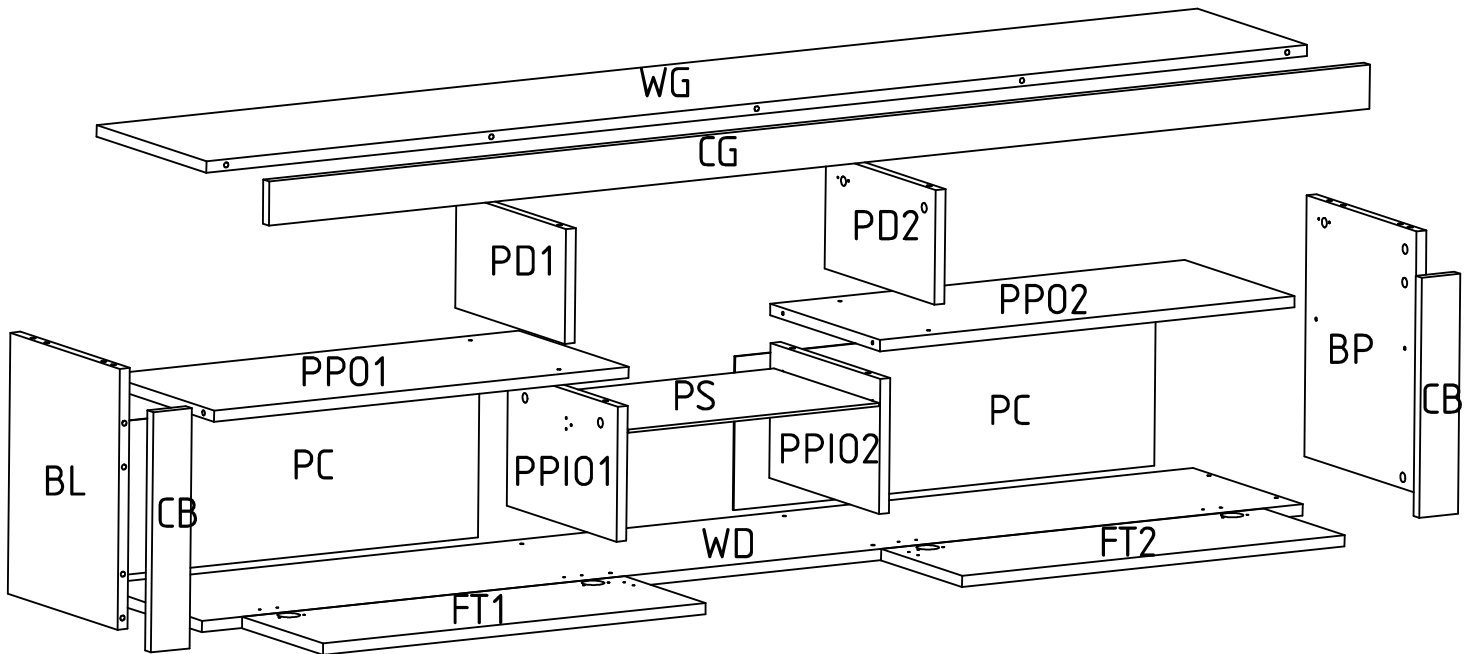
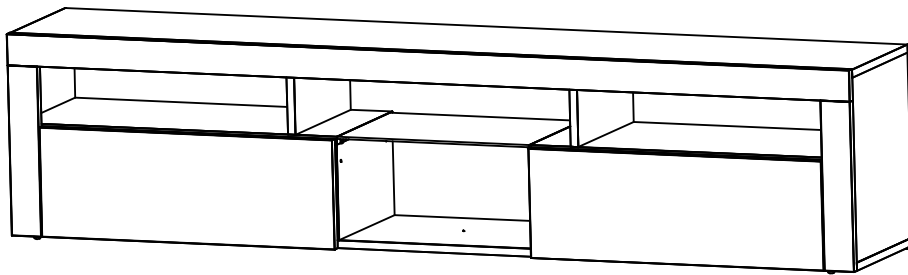
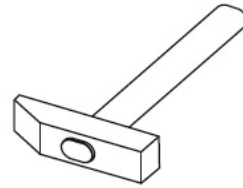
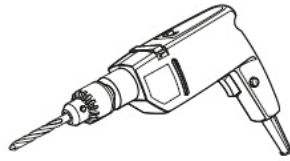
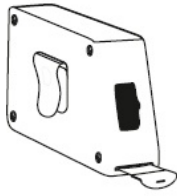
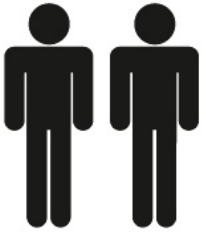
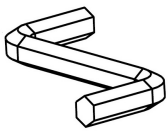
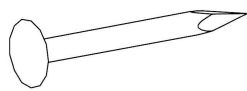
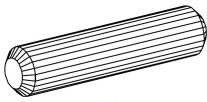
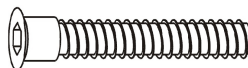

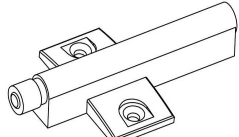
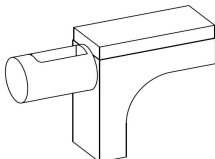
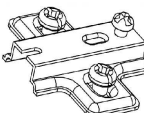

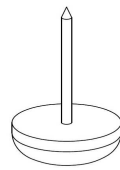
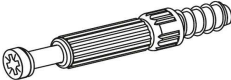
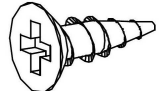
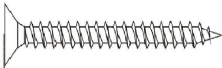


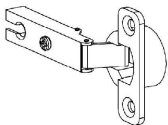
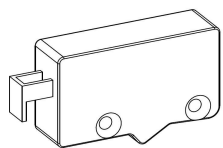
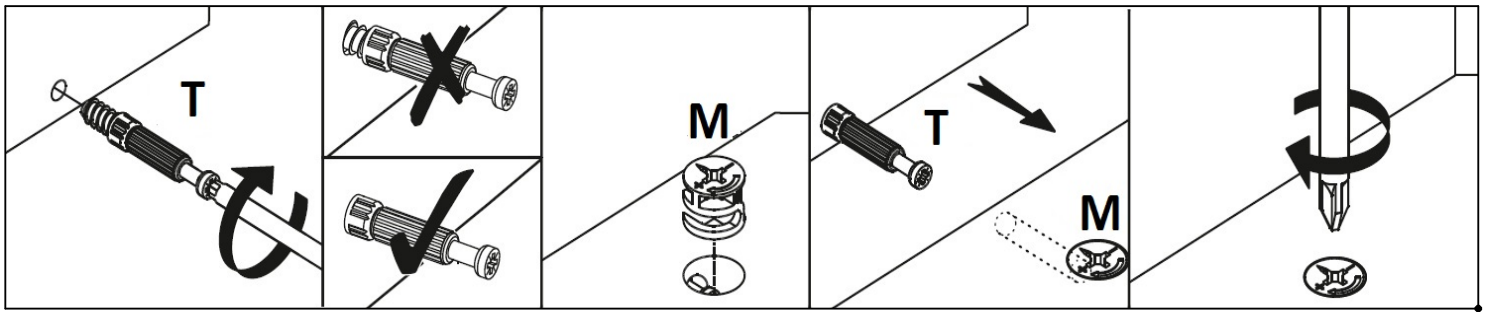


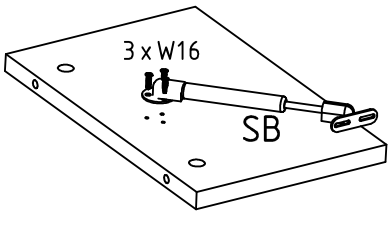
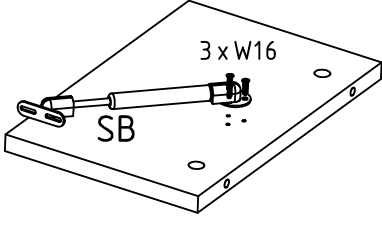
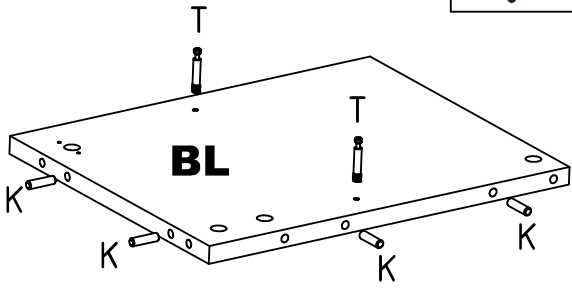
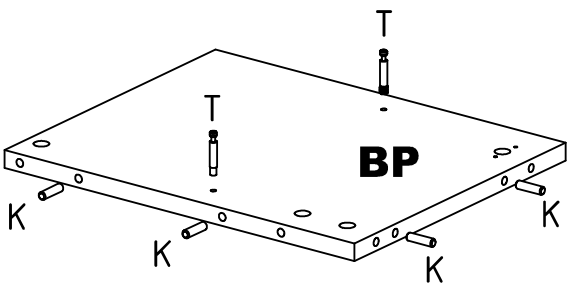
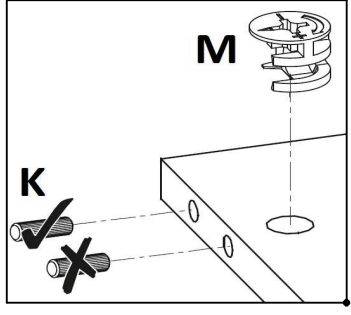
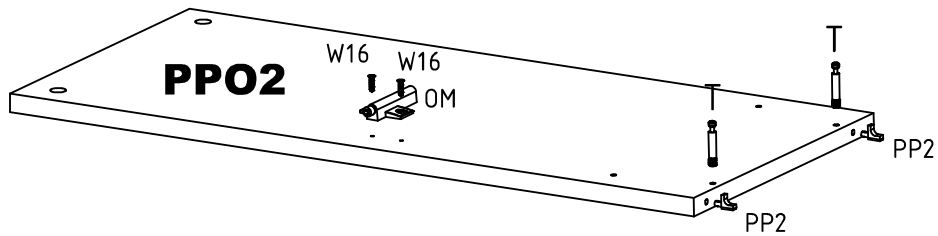
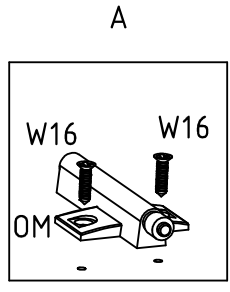
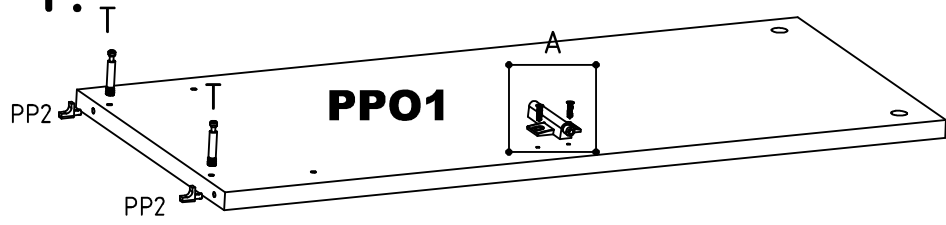
Table accessories

 A1	 G	8 x 30  K	6,3 X 50  KN	15 x 12  M
 OM	 PP2	 PR	 SB	 SL
6 x 34 mm  T	4 x 16  W16	4 x 30  W30	 Z	 ZK
 ZP	 ZR			

Elements				Accessories	
SYMBOL	LENGTH	WIDTH	QUANTITY	SYMBOL	QUANTITY
BL	16.29	13.07	1	A1	1
BP	16.29	13.07	1	G	44
CB	15	2.75	2	K	8
CG	62.99	2.75	1	KN	12
FT1	19.52	9.76	1	M	25
FT2	19.52	9.76	1	OM	2
PC	22.2	9.6	2	PP2	4
PD1	13.07	7.16	1	PR	4
PD2	13.07	7.16	1	SB	2
PPI01	13.07	8.42	1	SL	5
PPI02	13.07	8.42	1	T	25
PP01	21.77	13.07	1	W16	30
PP02	21.77	13.07	1	W30	8
PS	17.91	12.48	1	Z	25
WD	62.99	13.07	1	ZK	12
WG	62.99	13.07	1	ZP	4
				ZR	4

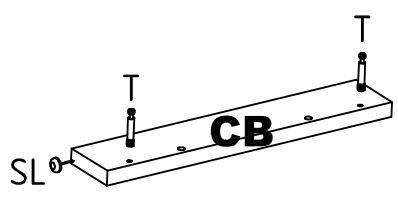
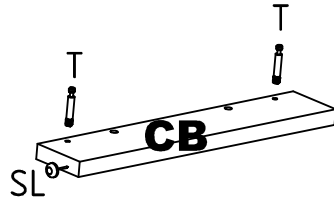
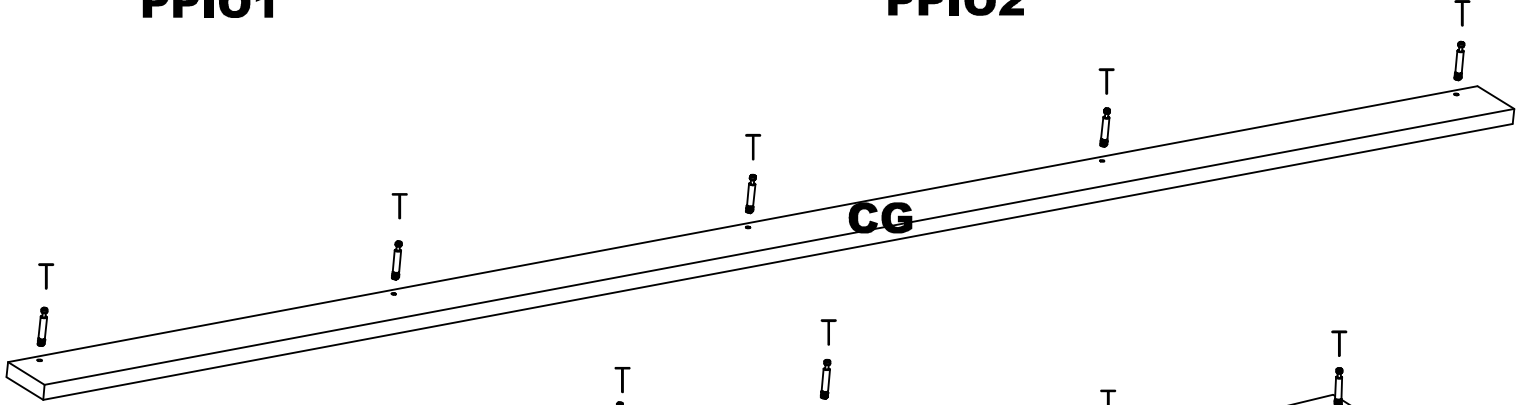


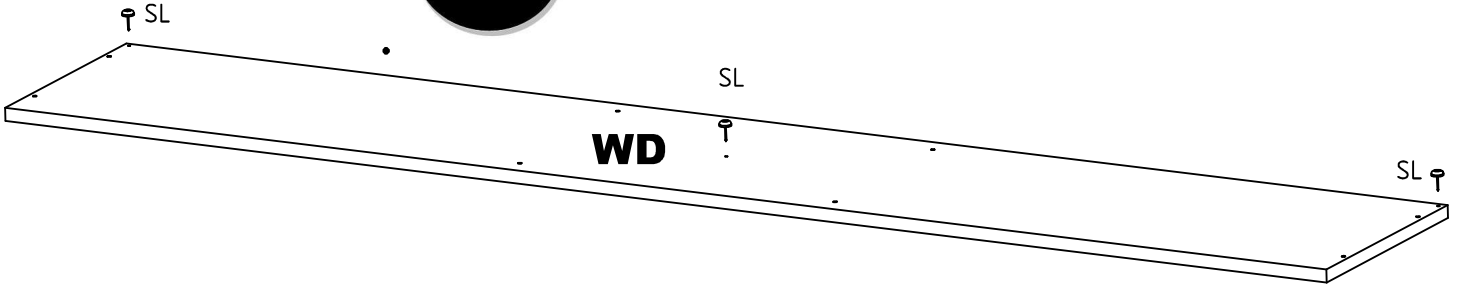
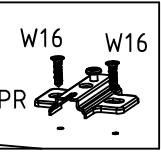
1.



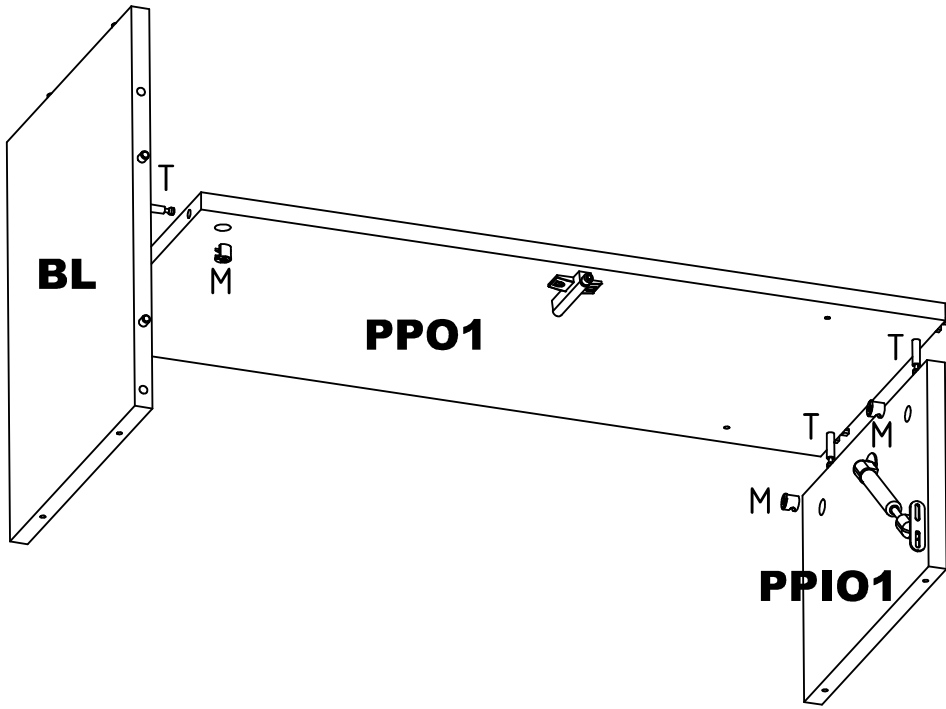
PPIO1

PPIO2

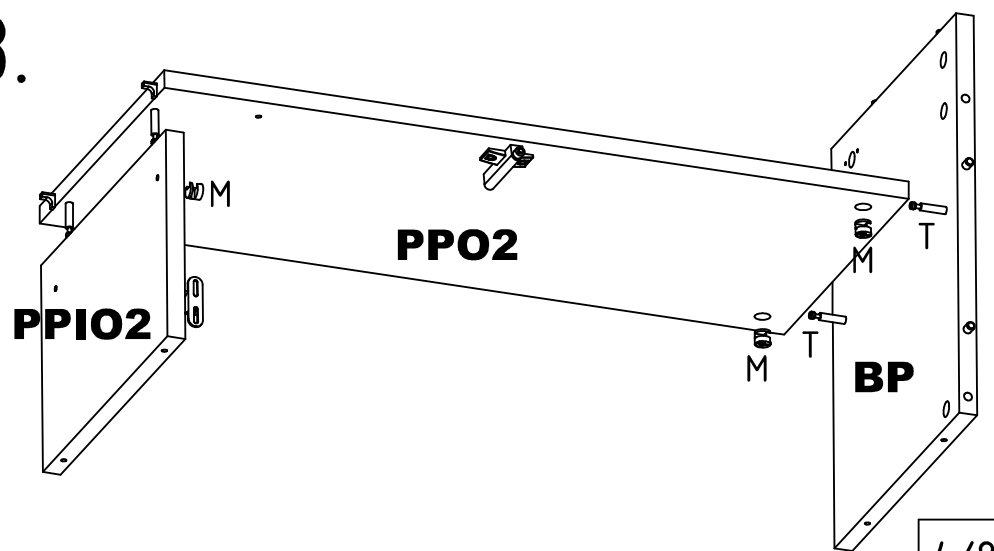




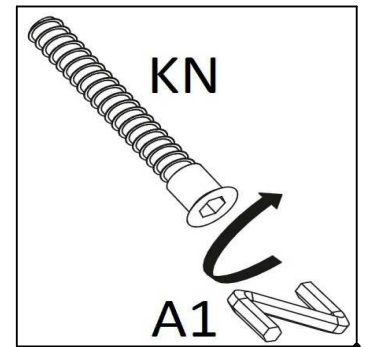
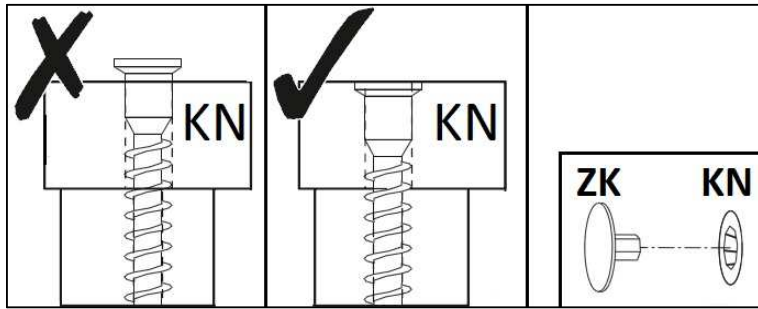
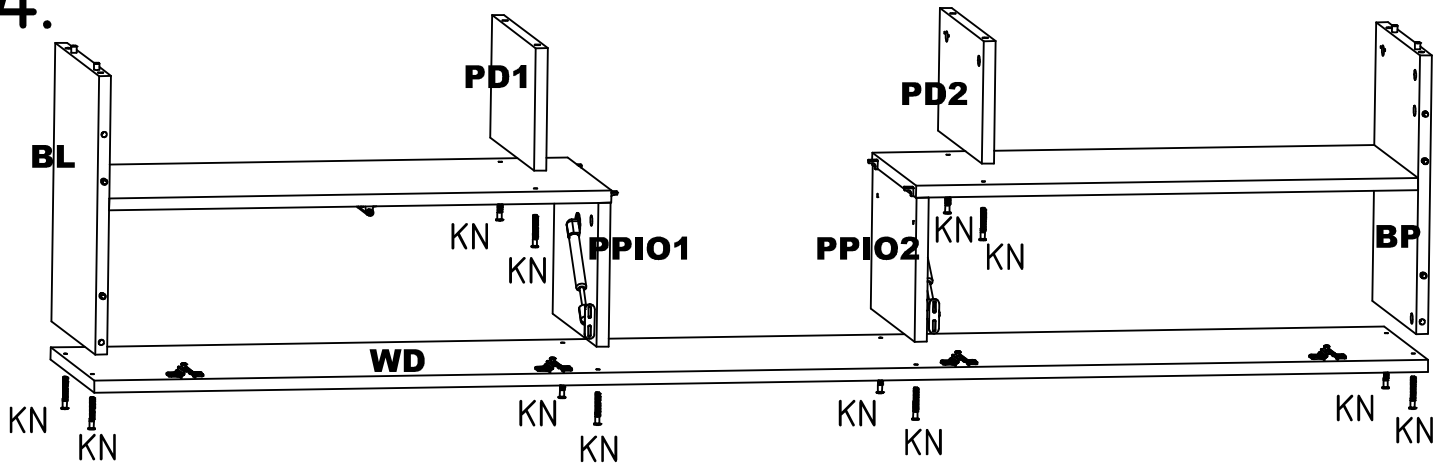
2.



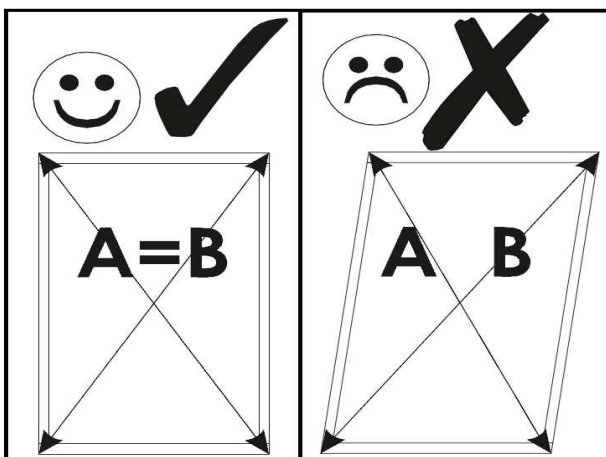
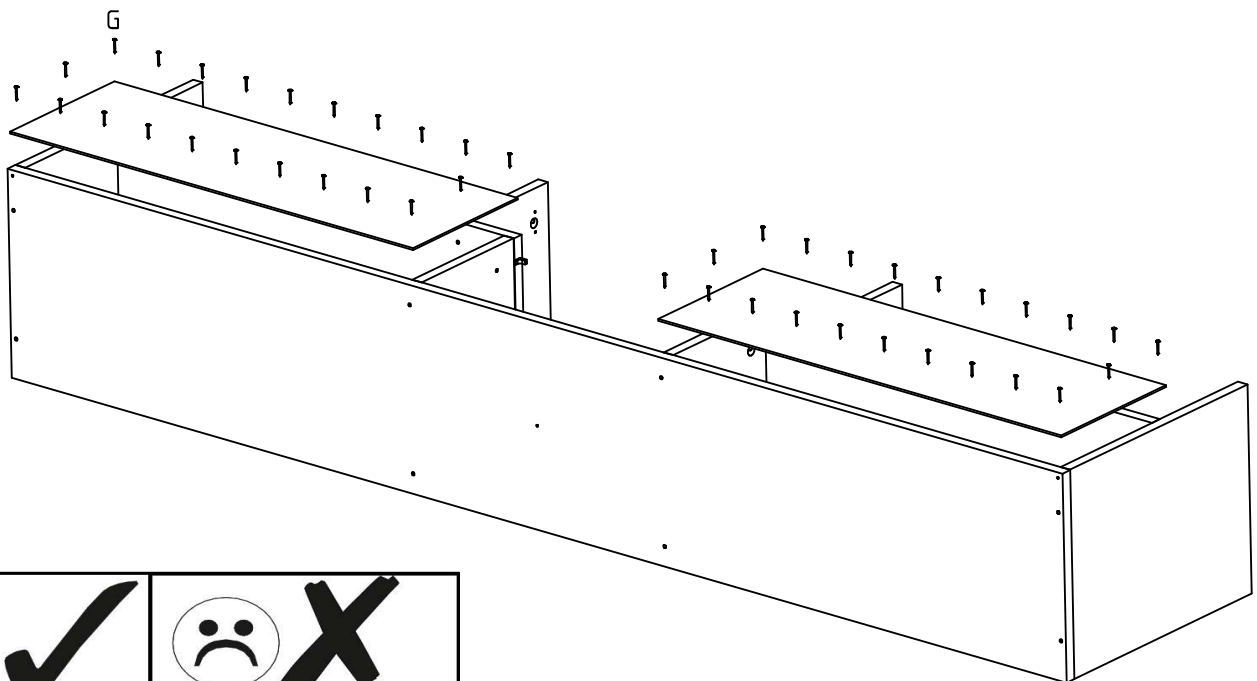
3.



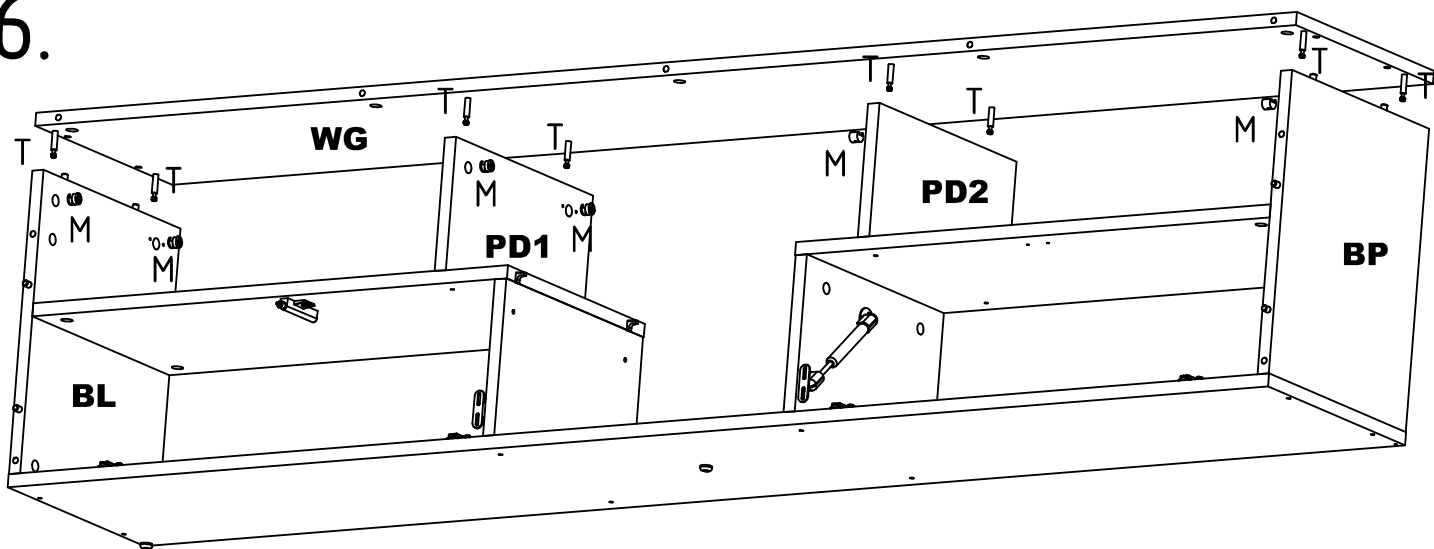
4.



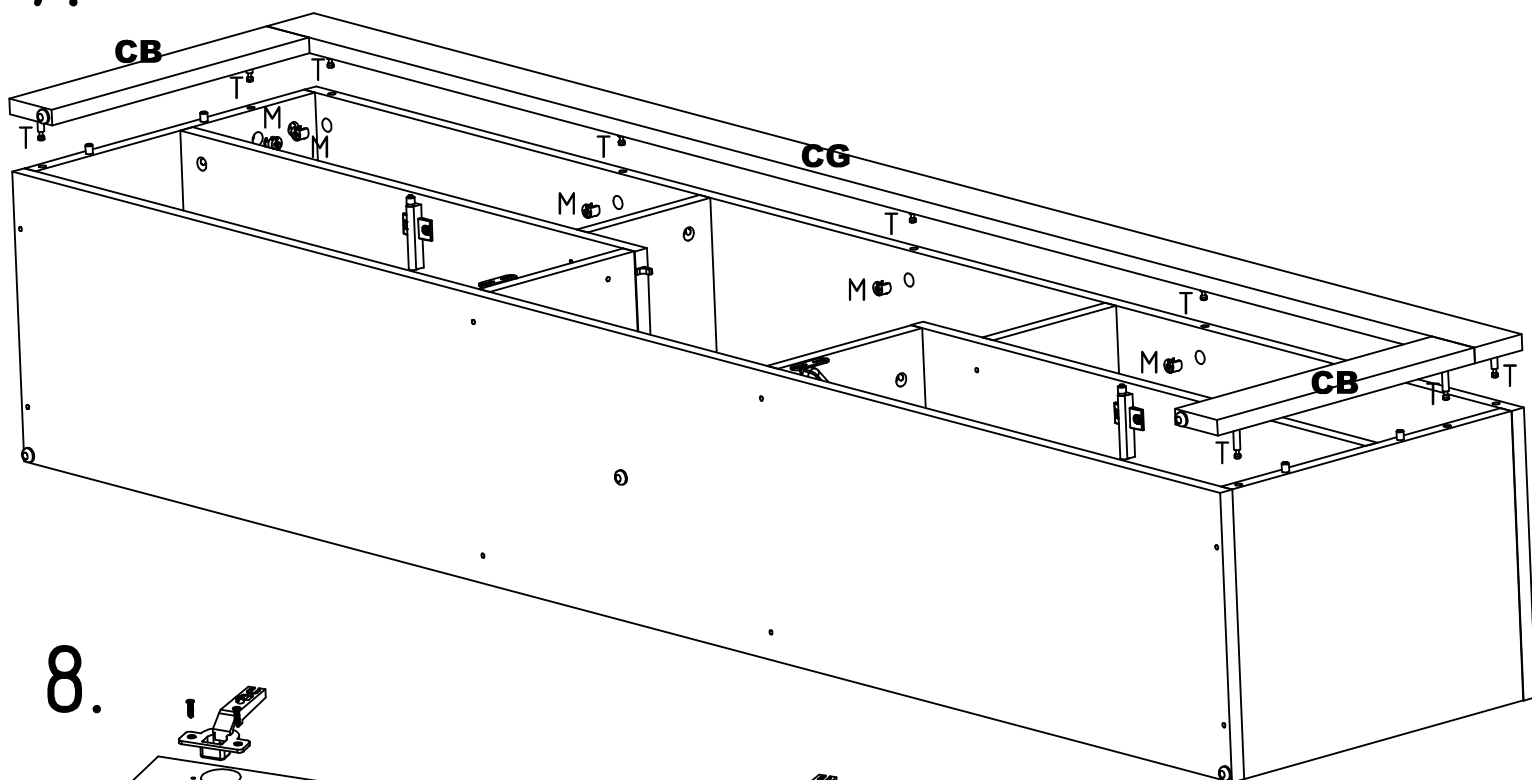
5.



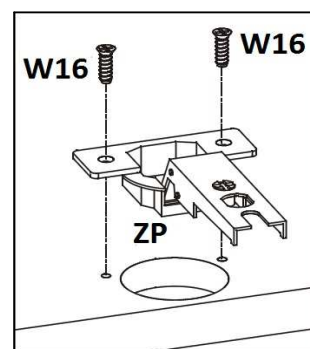
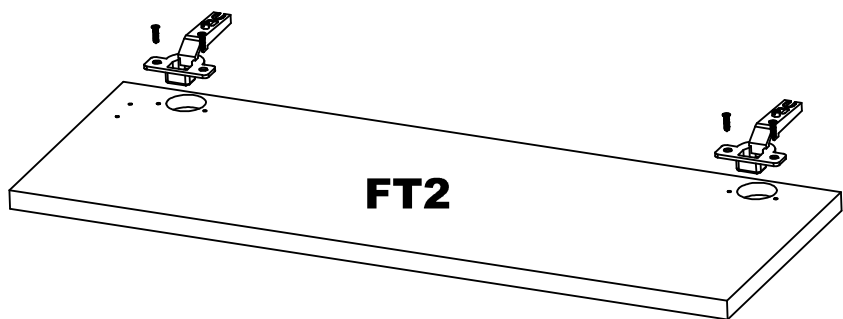
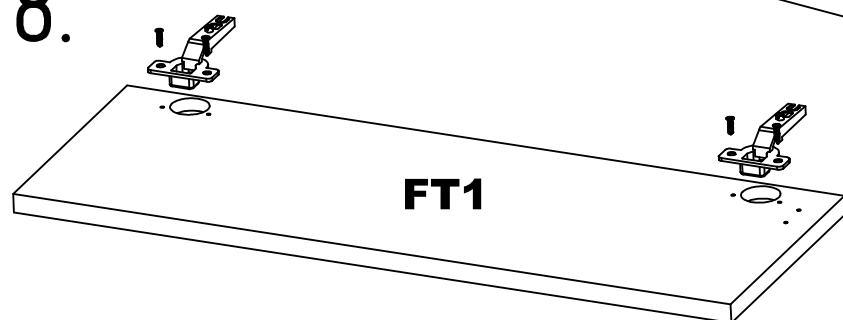
6.



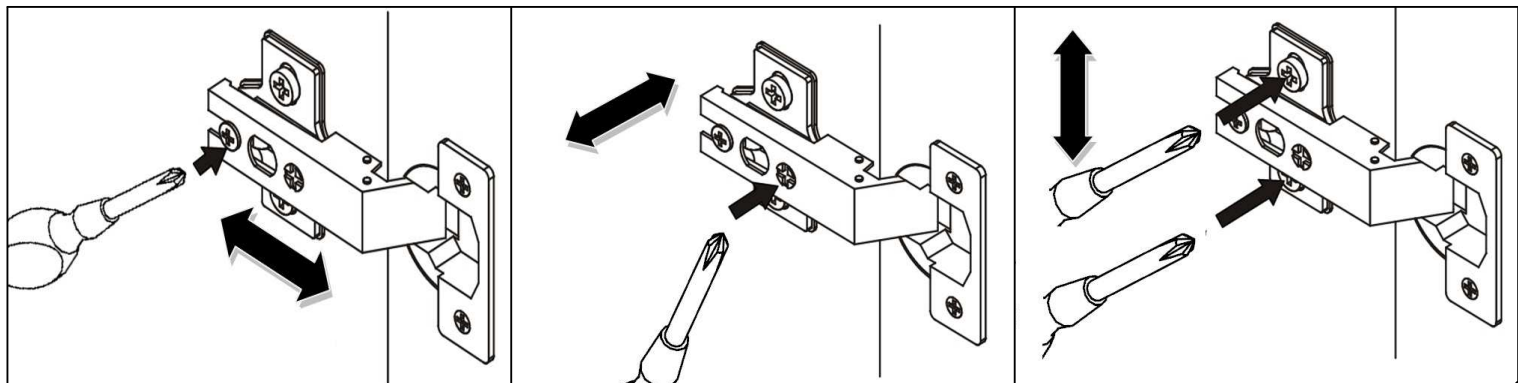
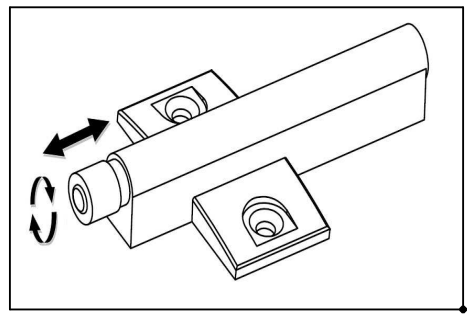
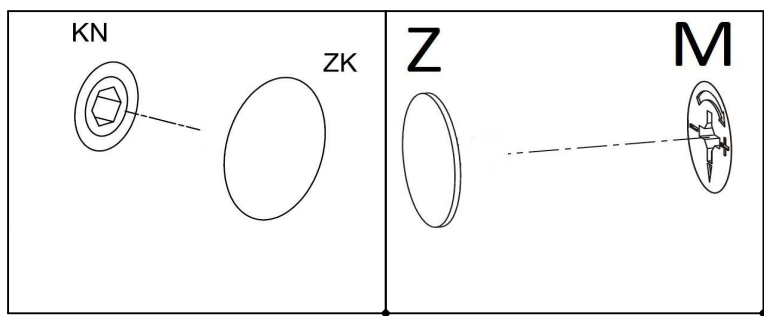
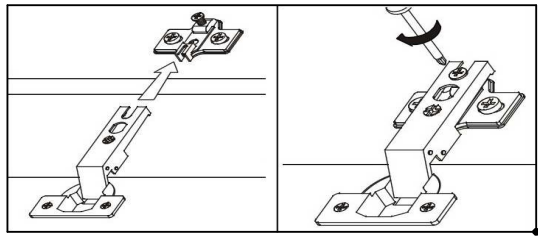
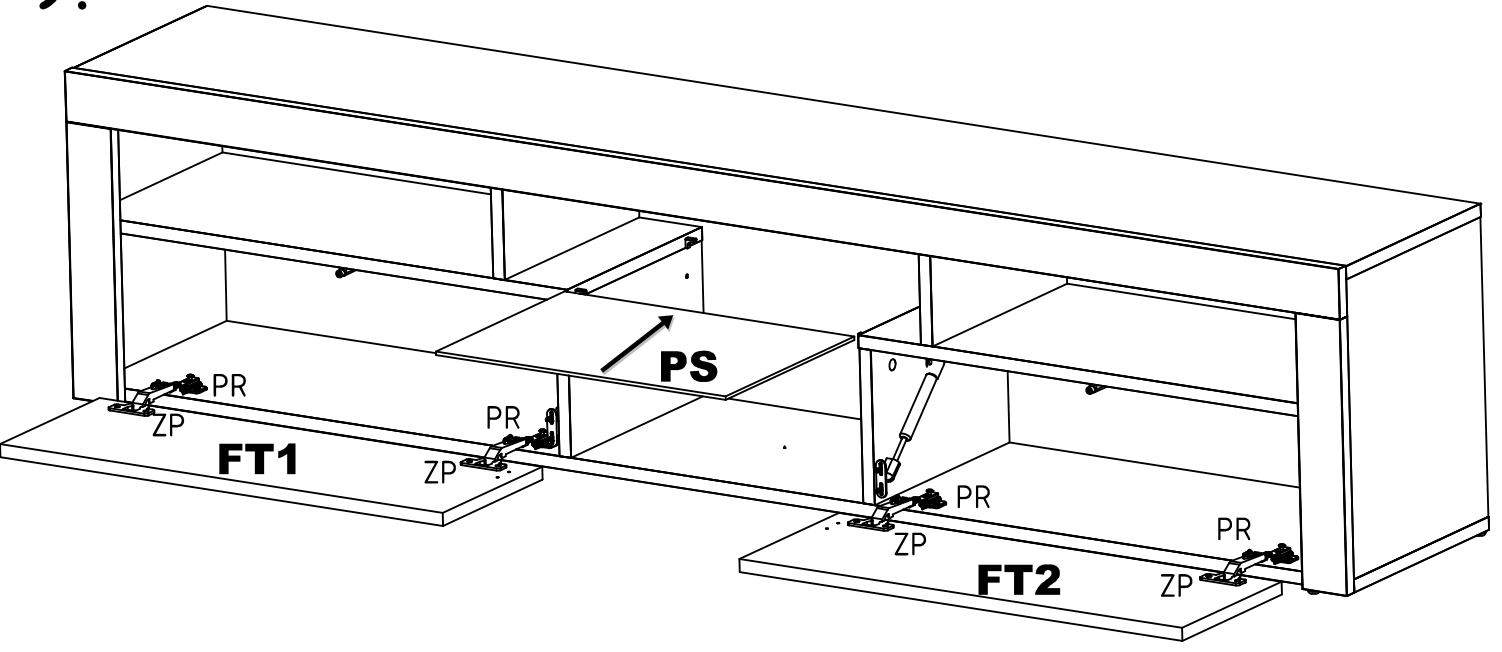
7.



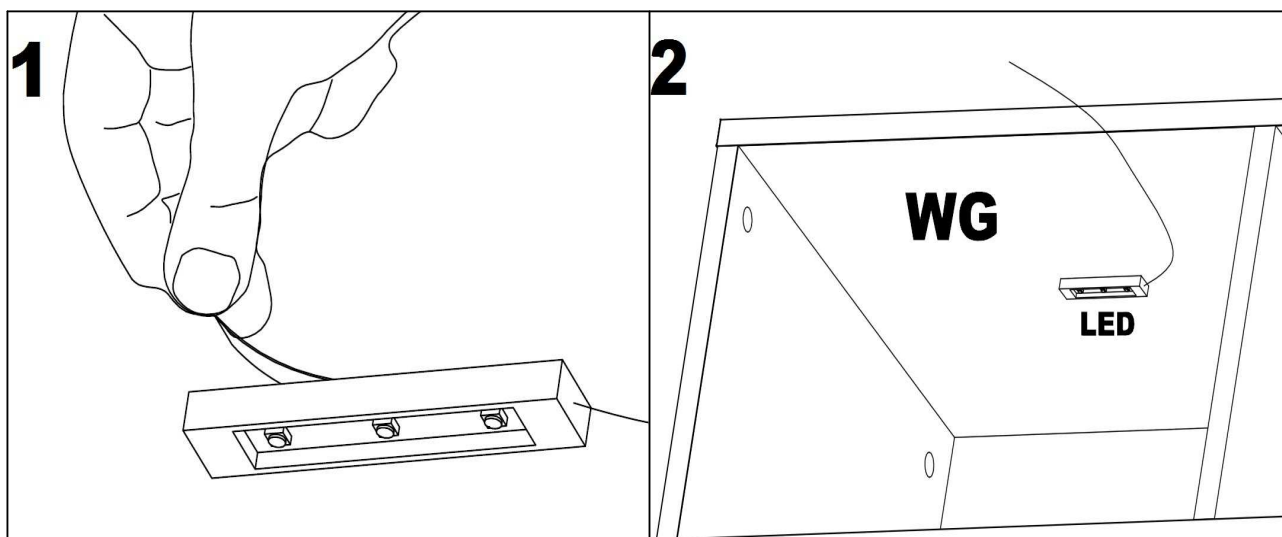
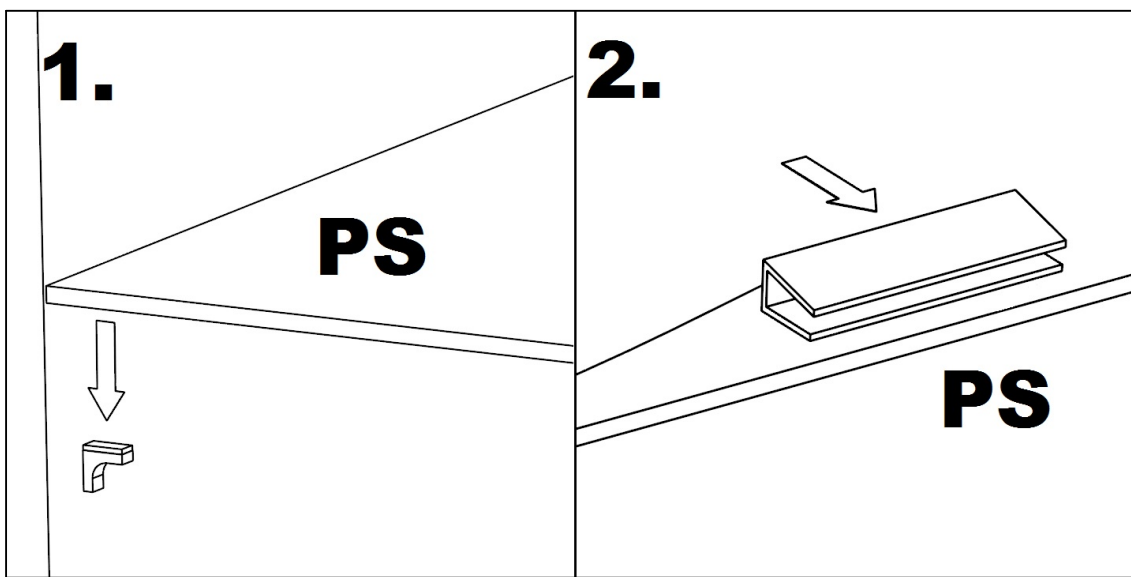
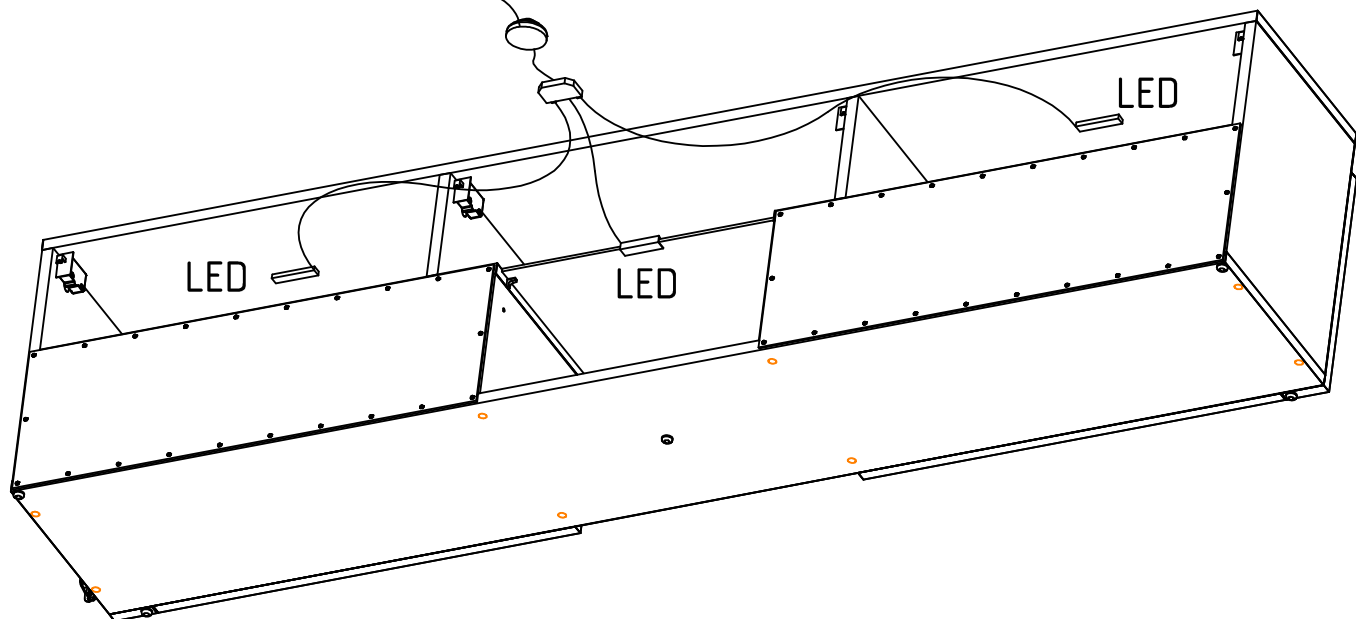
8.



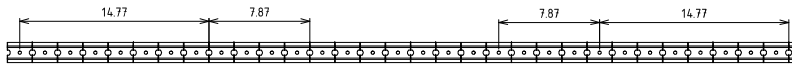
9.



10.



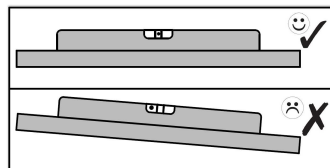
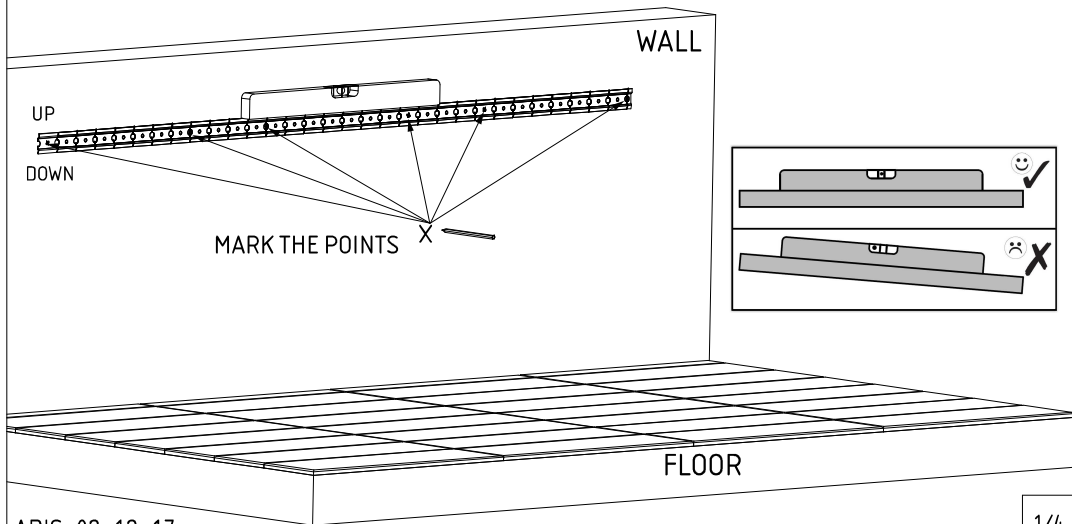
DISTANCE OF DRILLING



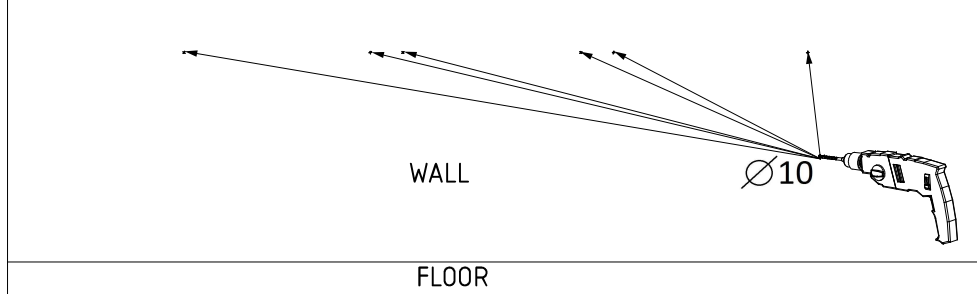
UNIT: in

1.

Wall installation manual



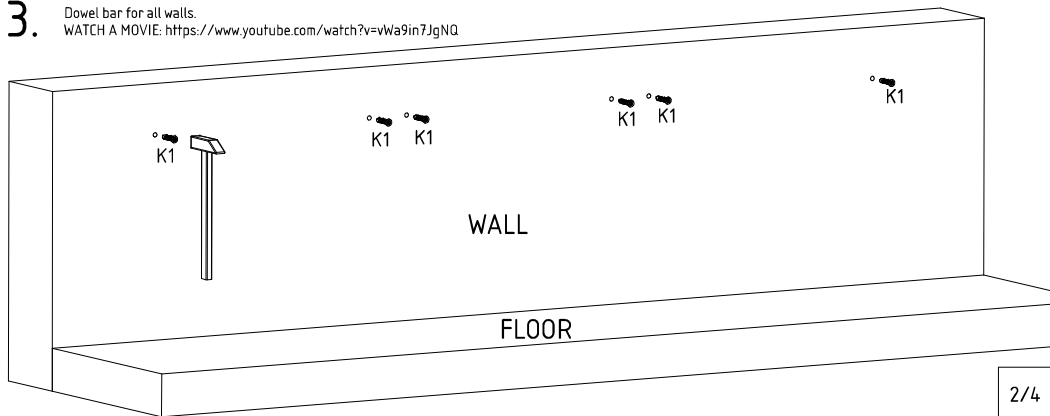
2.



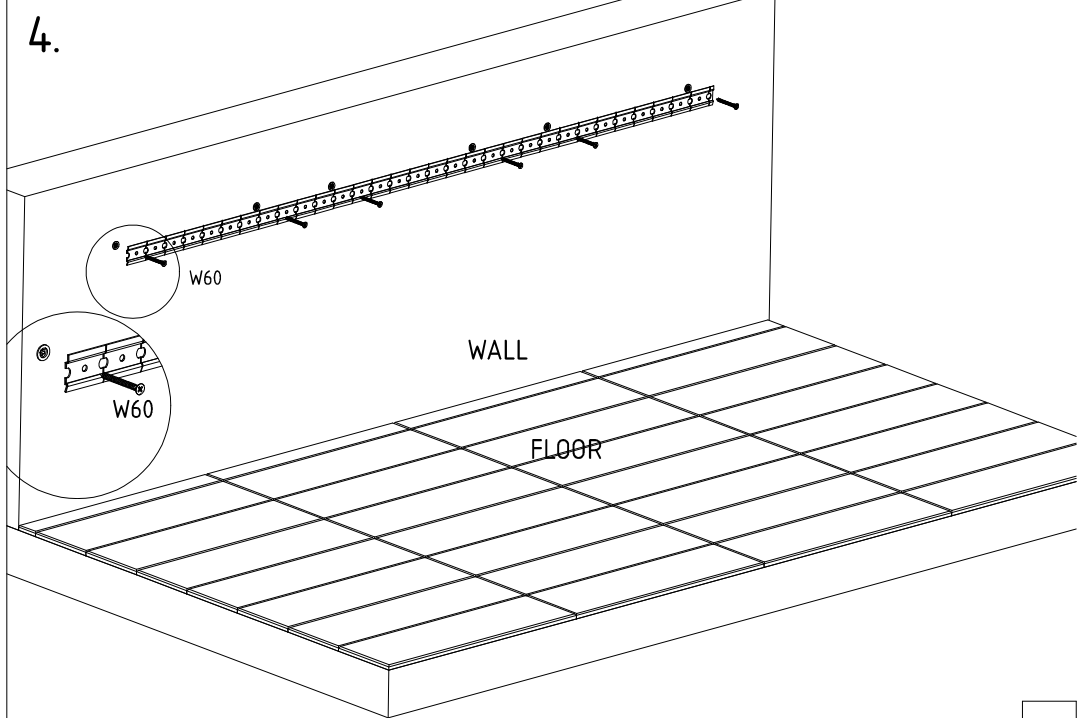
3.

Dowel bar for all walls.

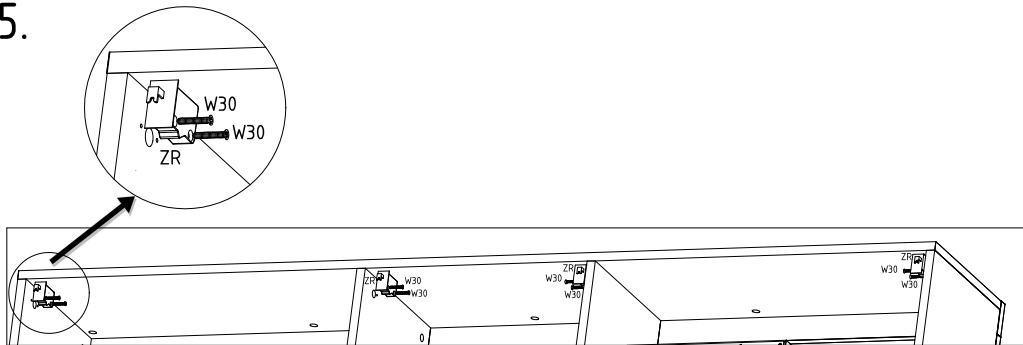
WATCH A MOVIE: <https://www.youtube.com/watch?v=vWa9in7JgNQ>



4.



5.



6.

