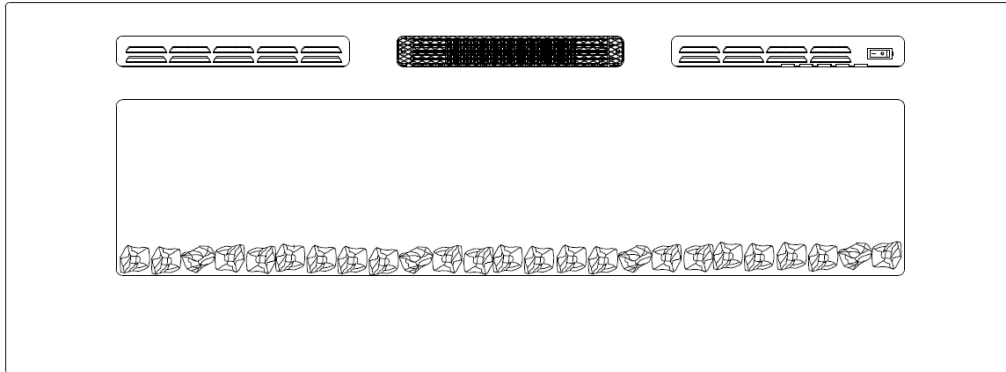


Insert Electric Fireplace

IF-40FSB IF-50FSB IF-60FSB



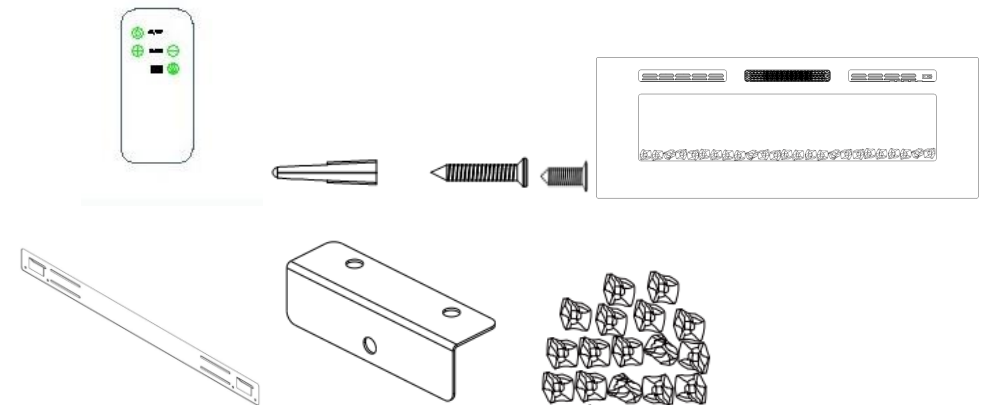
Please read all instructions carefully and
Retain for future reference

Getting Started

- Remove the appliance from the box.
- Remove any packaging from the product.
- Place the packaging inside the box and either store or dispose of safely.

Contents of Carton

- Heater
- Wall fixing bracket and screws
- Remote control
- one pc bracket and one pc bottom bracket
- 8pcs 4x30mm top bracket; 2pcs 4*8mm to fix tempered glass
- 2pcs 4*8mm and 1pc 4x30mm to fix bottom bracket
- 1 Instruction Manual, 1 bag of crystal.



Helpful Advice before Fitting

- Please retain all packaging until you have checked and counted all the parts and the contents of the hardware pack against the parts list.
- The hardware pack contains small items which should be kept away from young children.

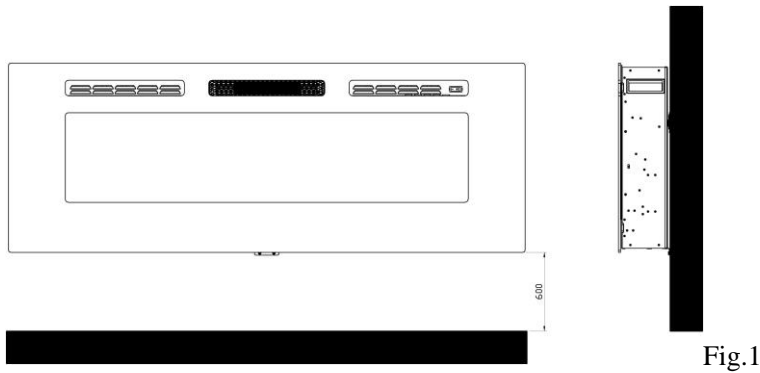
- We suggest that you open the hardware pack and place all the contents into a container, therefore reducing the risk of losing any small pieces.

Installation (see Fig1 ~ Fig 5)

- Do not connect the appliance until properly fixed to the wall and the instructions are fully read.
- The minimum distances must be observed in the diagrams.
- For installation of the appliance, care must be taken not to damage concealed cables.
- Please be careful while drilling the holes.

Wall Mount Instructions

- This appliance is designed to be fixed to a wall at a minimum height of 300mm and the minimum distance from the top of the heater to the ceiling should be 1000mm. The wall bracket must be fitted horizontally and the cable routed to the bottom right of the heater.
- A distance of 600mm from the bottom of the heater to the floor is recommended for optimum viewing of the fuel bed; see Fig.1 below for recommended fixing dimensions.

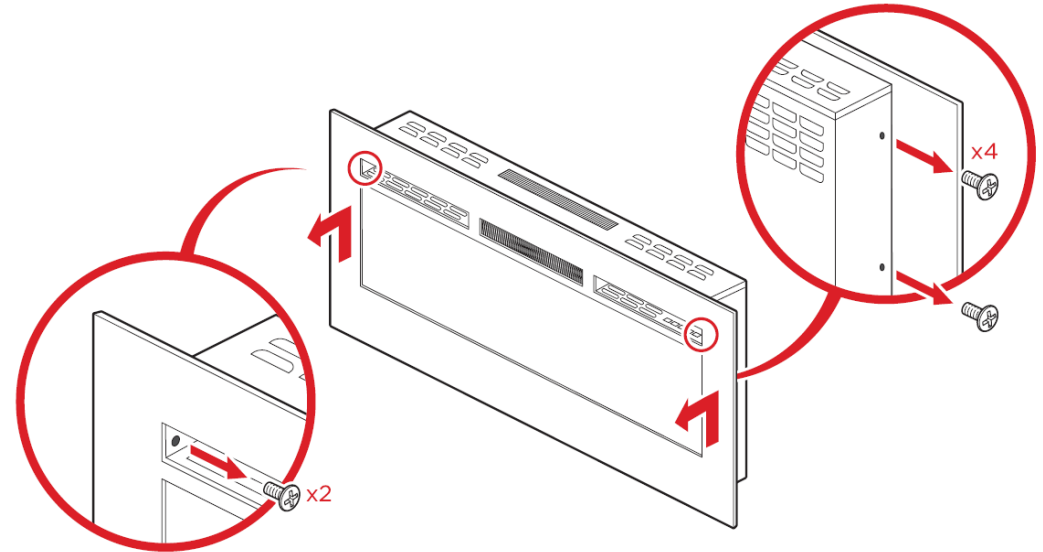


- For optimum viewing, mark the top four screws (fixing positions on the wall in accordance with the recommended fixing dimension; See Fig.2

Note: Ensure the bracket is level by using a spirit level whilst marking out the hole positions.

PREPARATION

- Remove four silver screws from the sides of the heater, two screws on each side. Remove two screws from the front of the heater. Remove the tempered glass by lifting it from the lugs on the sides. see Fig.2



Remove two screws from the mounting bracket on the back of the heater, then remove the mounting bracket.Fig.3

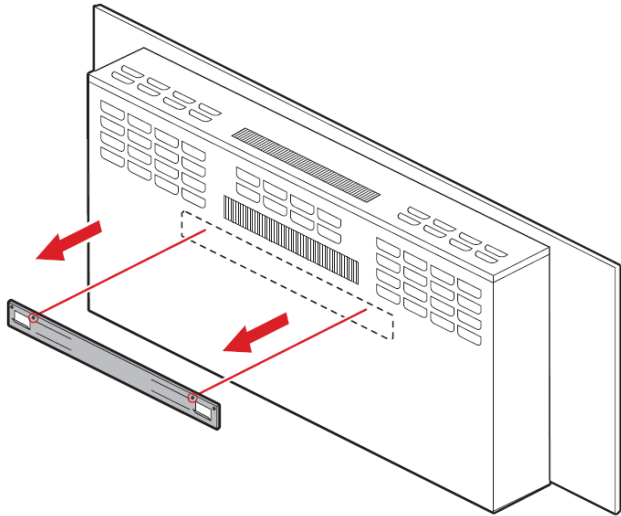


Fig.3

- Position the mounting bracket on the wall and mark where the eight screw holes will be. Make sure that the bracket is level.
- Use an electric drill and size 6 drill bit to drill eight screw holes.

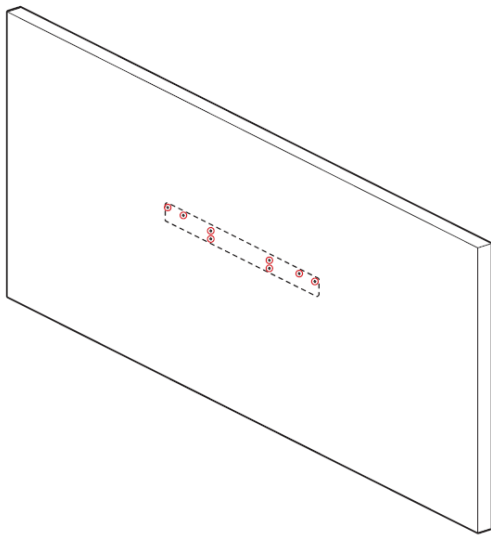


Fig.4

- Insert eight 4*30mm wall anchors into holes, then attach the mounting bracket to the wall with eight 4*30 screws.Fig.5

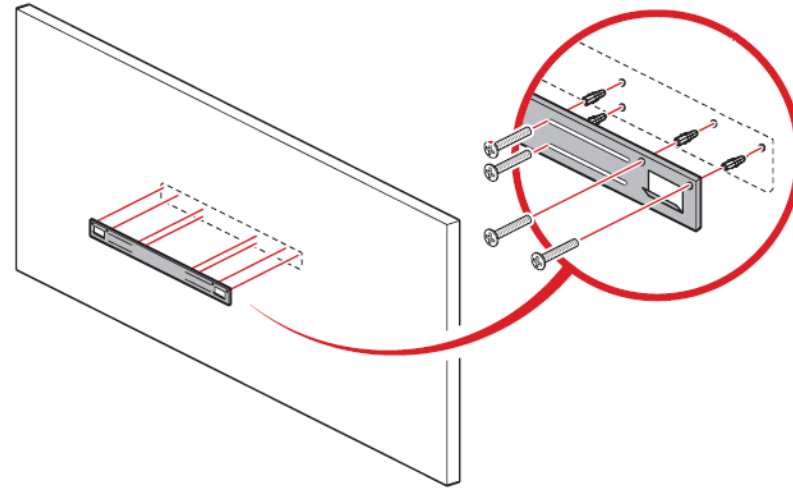


Fig.5

- Lift the heater and carefully lower it onto the mounting bracket, ensure that bracket and heater are firmly engaged.Fig.6

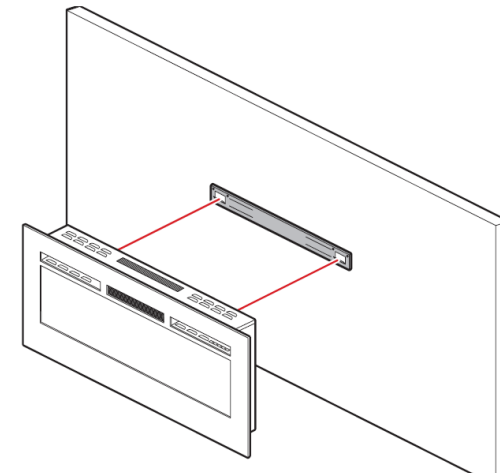


Fig.6

- Inset a wall anchor and attach bottom bracket with 4*30mm screws.Fig.7

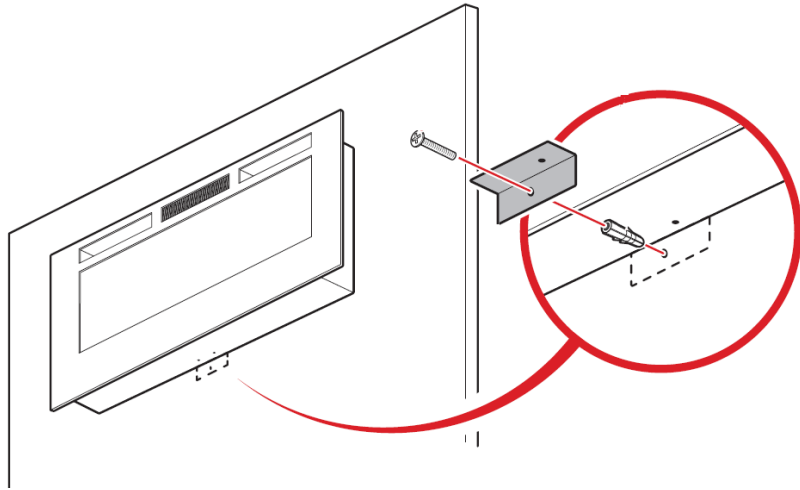


Fig.7

- Attach the bottom bracket to the heater with two 4*30mm screws Fig.8

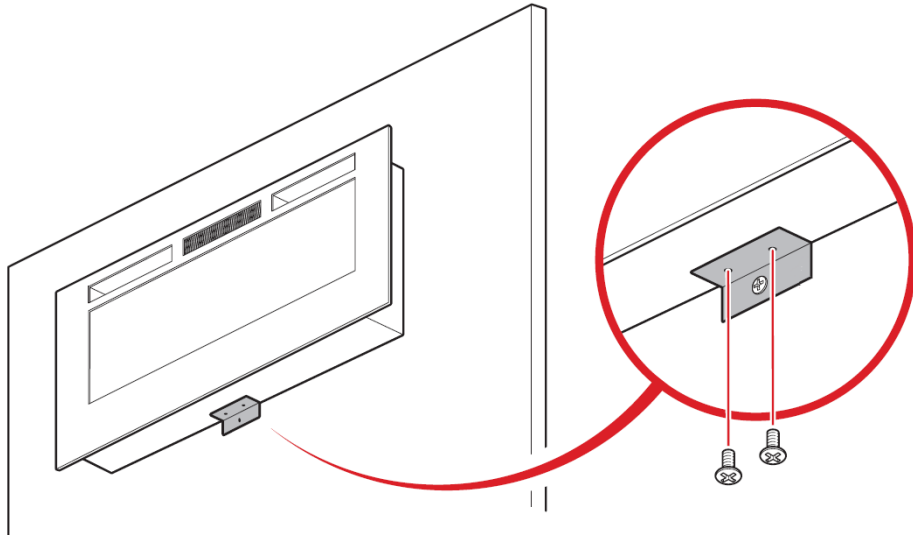


Fig.8

- Put the crystal stone to ember bed. First, take off glass from appliance. Then put crystal stone on ember bed. Fig.9

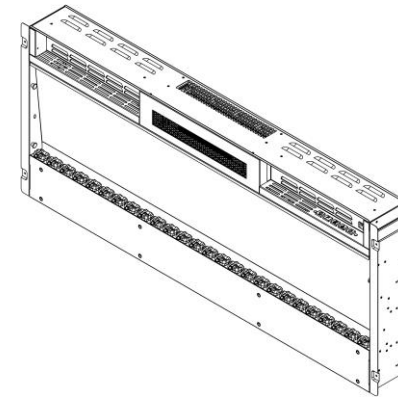


Fig.9

- Place the front glass surround over the front of the fire aligning the slots in the bracket at each side of the glass panel with the lugs on the sides of the fire; See Fig.10
- Again, two people will be required for this operation.

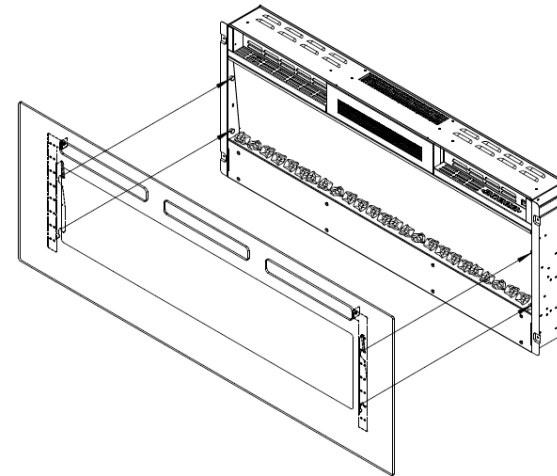


Fig.10

- Last, Fix the tempered glass with 4pcs of 4*8mm white screws on both sides as provided.

Manual Operation

- The switches located at the center right hand side of the fire .The standby switch must be first switch on.

IMPORTANT: THESE INSTRUCTIONS SHOULD BE READ CAREFULLY AND RETAINED FOR FUTURE REFERENCE

Wall Insert Instructions

- Take the glass from the appliance first, then gently put the appliance to the cut hole by two persons.
Please see Fig.1

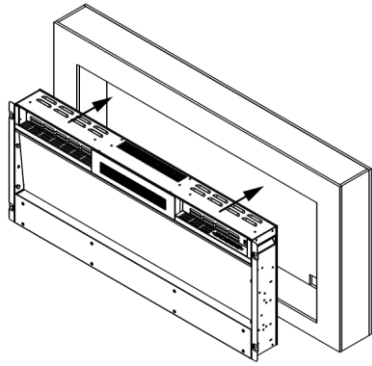


Fig.1

- For optimum viewing, mark the left and right screws (fixing positions on the wall in accordance with the appliance's holes; See Fig.2

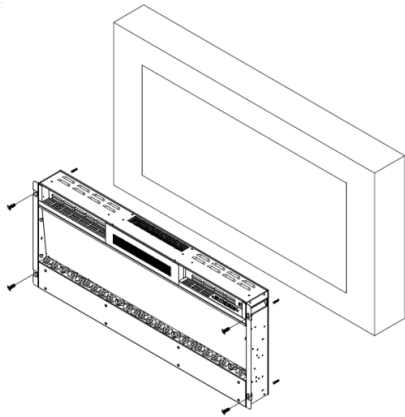


Fig.2

- Place the front glass surround over the front of the fire aligning the slots in the bracket at each side of the glass panel with the lugs on the sides of the fire; See Fig.3
- Again, two people will be required for this operation.

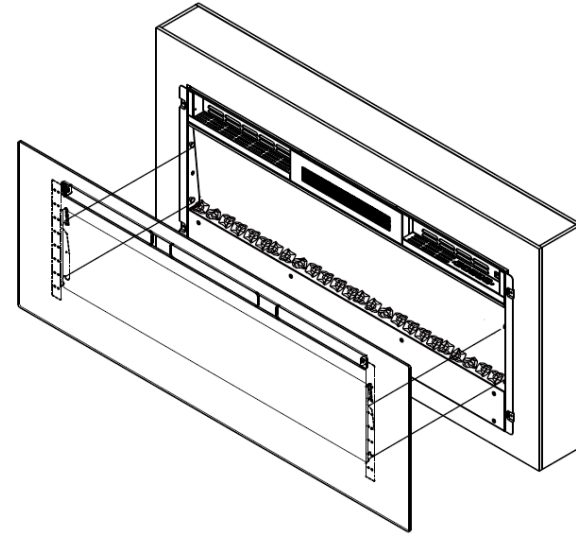


Fig.3

- Fix the tempered glass with 2pcs of 4*8mm screws provided.(Fig.5)

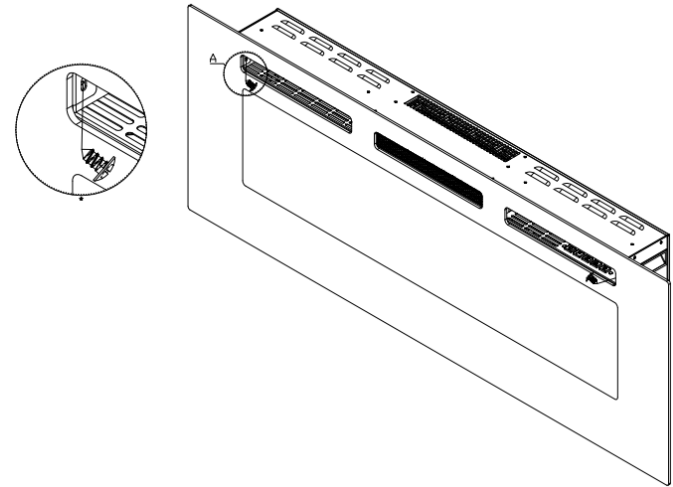


Fig.4

Instructions for Use

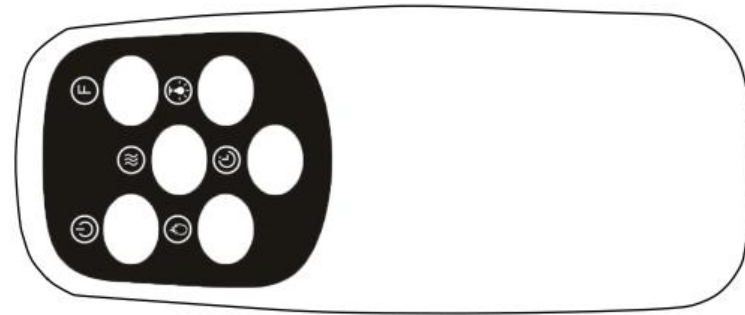
- The appliance can be operated either by the switches located on the top right hand side of the fire or by supplied remote control.

TO ACCESS CONTROL PANEL






- The standby switch located at the center right hand side of the fire must be first switch on.
- It takes some time for the receiver to respond to the transmitter. Do not PRESS the buttons more than once within two seconds for correct operation.
- Press once the button ON/OFF on the remote control this turns ON/OFF the appliance and fire effect.
- Press the DIMMER button for operates the dimmer mode. Each time the dimmer button is Pressed, the intensity of the flame decrease. There are 5 brightness levels you can cycle through and the OFF setting.
- Press once the HEAT button for the low heat setting(750W); press twice for the high heat setting(1500W); press again to turn off the heater.
- Temperature setting. The highest temperature of the thermostat is 82F. There are several thermostat levels you can cycle through between 62F and 82F, and the OFF settings.
- Timer setting. Press the TIMER button to cycle through the timer settings (1Hour, 2H,3H,4H,5H,6H,7H,and 8H) and the OFF setting.
- Colorful Setting. Press the remotes' Colorful button, it can change the flame color. Press the first time, it will change from AMBER color to Blue color. Press the second Time, it will change from Blue to AMBER & BLUE color. Press the third time, it will Come back to amber color.




Infrared Remote control



Warning: Remote control requires two AAA batteries

Remote control Operation

BUTTON	FUNCTION
 POWER	ON: Enables control panel functions and remote control.Turn on flame effect. OFF: Disables control panel functions and remote control.Turn off flame effect.
 FLAME	FLAME button: Makes flame effect dimmer and brighter. NOTE: Flame effect stays on until power button is turned off. Flame effect must be on for heater to turn on.
 HEATER	HEATER button:Turn heater on and off. NOTE: To prevent overheating, the heater fan will blow out cool air for 30 seconds after the heater turn off. 1. Press once. Indicator lights up. 750W heater turns on and blows warm air. 2. Press again. Indicator lights up. 1500W heaters turns on and blows hot air. 3. Press again. Heaters turn off. The fan blows cool air for 30 seconds to allow heater to cool down, then turns off.

 TEMP.	1. TEMPERATURE button: Control temperature settings to choose temperature as desired. Setting range from 62F to 82F. Press once. Indicator light turn on. Temperature is set to 62F. 21Settings: (62F,63F,64F,65F,66F,67F,68F,69F,70F,71F,72F,73F,74F,75F,76F,77F,78F,79F,80F, 81F,82F)
 COLOR	COLOR button: Makes the color flame effect changing. 1. Press once. Flame color effect gets changing. 2. Press again until desired setting is reached.
 TIMER	TIMER button: Control timer settings to turn off fireplace at selected time. 8 Settings range 1H,2H,3H,4H,5H,6H,7H,8H.

DO NOT mix old and new batteries.

DO NOT use rechargeable silver oxide cell batteries with remote control unit.

DO NOT mix alkaline. Standard (Carbon-zinc). Or rechargeable (Nickle - Cadmium) batteries.

DO NOT dispose of batteries in fire. Improper disposal may cause batteries to leak or explode.

Important Safety Instructions

When using this electrical appliance, basic precautions should be followed to reduce the risk of fire, electric shock, and injury to person, including the following :

- This heater must be used on an AC supply only and the voltage marked on the heater must correspond to the supply voltage.

- Do not switch the appliance on until it properly installed and described in this manual.
- Do not leave the appliance unattended during use.
- Do not leave the appliance unattended whilst connected to the mains supply.
- Keep out of reach of children and do not allow them to operate this appliance.
- From time to time, check the cord for damage .Never use the appliance if the cord or any part of the appliance shows signs of damage.
- Do not operate this appliance with a damaged plug or cord, after a malfunction or after being dropped or damaged in any way.
- Repairs to electrical appliances should only be performed by a qualified electrician. Improper repairs may place the user at serious risk.
- Do not run the cable under carpets, rugs etc.
- Do not allow the mains cable to hang over sharp edges or come into contact with hot surfaces.
- **WARNING:** In order to avoid overheating, do not cover or obstruct the heater in any way.
- Overheating will result if it is accidentally covered.
- Never immerse the product in water or any other liquids.

-12-

LED Bulb Replacement

Note: The flame effect on this electric fireplace insert is created by LED Bulbs.

The life of these LED bulbs will be 100,000 hours. The users are not recommended to Replace the LED Bulbs. For any reason should the bulbs stop working properly, contact a Qualified technician.

Cleaning:

- Turn heater OFF and unplug from electrical outlet before any cleaning or maintenance is performed. Wait at least 10 minutes to allow all components to cool properly.
- Use a vacuum or duster to keep heater and vent area clean from dust and dirt.
- The exterior of the fireplace should be cleaned with a damp cloth or duster. Do not use abrasive cleaners or liquid sprays.

WARNINGS AND CAUTIONS

WARNING To avoid electrical shock not open the back panel of the insert unless the

Power has been turned off. And the insert has been unplugged.

WARNING Any electrical repairs to this electric fireplace. Should only be Performed by a qualified technician.

WARNING Any electrical wiring repairs should only be performed by a qualified Technician. And also must comply with local buildings codes.

WARNING Discontinue use of this electric fireplace if any of the follow has Occurred: Water damage. If insert has been or dented. If power cord has Become broken. If power cord becomes hot to touch, if unit smokes or Smells like smoke.

Note: When the heat functions is used for the first time. A slight odor may be Present. This is normal and should be occur again unless heater is not used For extended periods of time and dust is allowed to accumulate on heater Element.

Technical Specification

- Supply: 120V/60Hz
- Rated power:750W/1500W

Meaning of crossed - out wheeled dustbin:

Do not dispose of electrical appliances as unsorted municipal waste, use separate collection facilities.

Safety Cut-Off

- This appliance is fitted with a safety cut-off which will operate if the fire overheats (e.g. due to blocked air vents) .For safety reasons, the fire will NOT automatically reset.
- To reset the appliance, disconnect the appliance from the mains supply for at least 15 minutes. Reconnect the supply to the mains and switch on the appliance.

Troubleshooting

Symptom	Solution
No operation/no fan,	Check fuse by replacement, Check for safety cut-off operation,
No fire effect light,	Check the LED light with technician.



Meaning of crossed - out wheeled dustbin:

Do not dispose of electrical appliances as unsorted municipal waste, use separate collection facilities.

Contact you local government for information regarding the collection systems available.

If electrical appliances are disposed of in landfills or dumps, hazardous substances can leak into the groundwater and get into the food chain, damaging your health and well-being.

When replacing old appliances with new ones, the retailer is legally obligated to take back your old appliance for disposals at least free of charge.

