

SPECIFICATION SHEET

COLLECTION: ZOO

PRODUCT CODE: ZOO-137-C/P



DESCRIPTION:

2 hole bath filler
deck mounted
with water flow straightener
cold ceramic cartridge ZOO-130+137-VALVE-CL
hot ceramic cartridge ZOO-130+137-VALVE-HT
3/4" x 50mm fitted tail connections
deck mount drill hole diameter 28mm
minimum operating pressure 0.2 bar LP

FINISH:

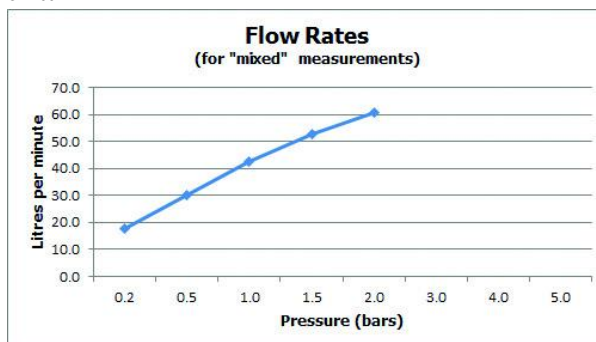
Chrome

FLOW REGULATOR:

N

MINIMUM OPERATING PRESSURE:

0.2 bar LP



tel: 01934 744466
email: sales@vado.com
www.vado.com

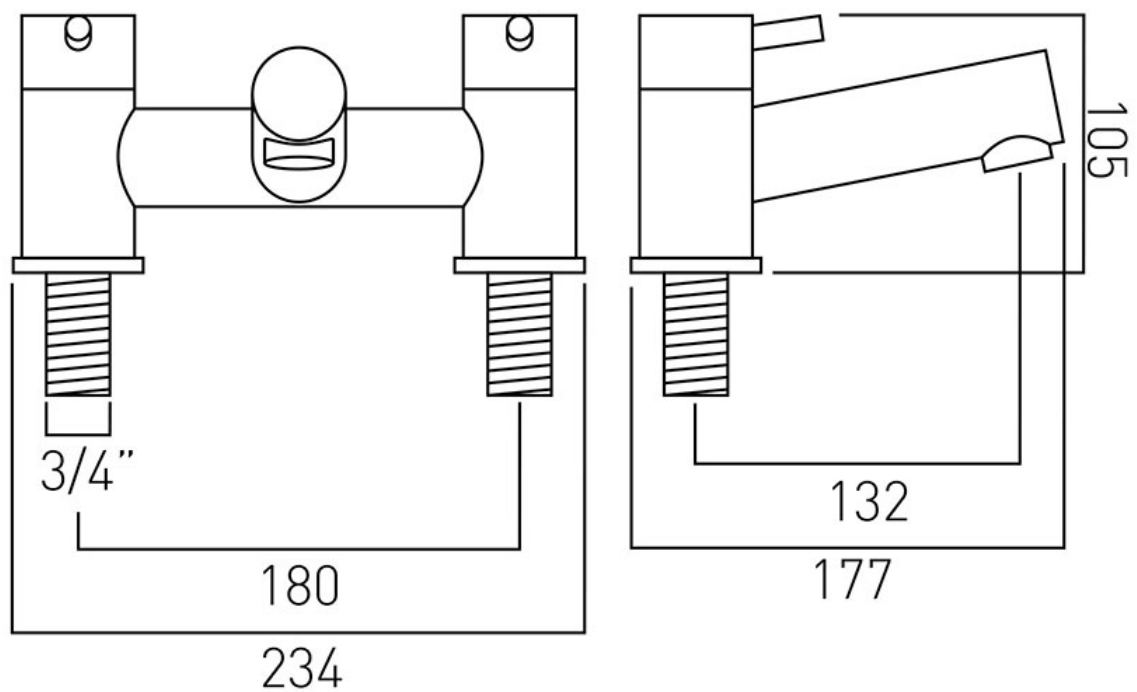
where inspiration flows
taps | showering | accessories



TECHNICAL DRAWING

COLLECTION: ZOO

PRODUCT CODE: ZOO-137-C/P



tel: 01934 744466
email: sales@vado.com
www.vado.com

where inspiration flows
taps | showering | accessories

