

SPECIFICATION SHEET

COLLECTION: ZOO

PRODUCT CODE: ZOO-135/NS-3/4-C/P



DESCRIPTION:

4 hole bath shower mixer

deck mounted

without spout

for use with bath filler waste and overflow

cold ceramic cartridge ELE-VALVE/CD-3/4-CL

hot ceramic cartridge ELE-VALVE/CD-3/4-HT

2 x 3/4" x 3/4" x 500mm flexipipe connections

valve deck mount drill hole diameter 33mm

diverter deck mount drill hole diameter 46mm

handset deck mount drill hole diameter 27mm

minimum operating pressure 1.0 bar MP

FINISH:

Chrome

FLOW REGULATOR:

FR-SHOWER/9-C/P

MINIMUM OPERATING PRESSURE:

1.0 bar MP



tel: 01934 744466

email: sales@vado.com

www.vado.com

where inspiration flows

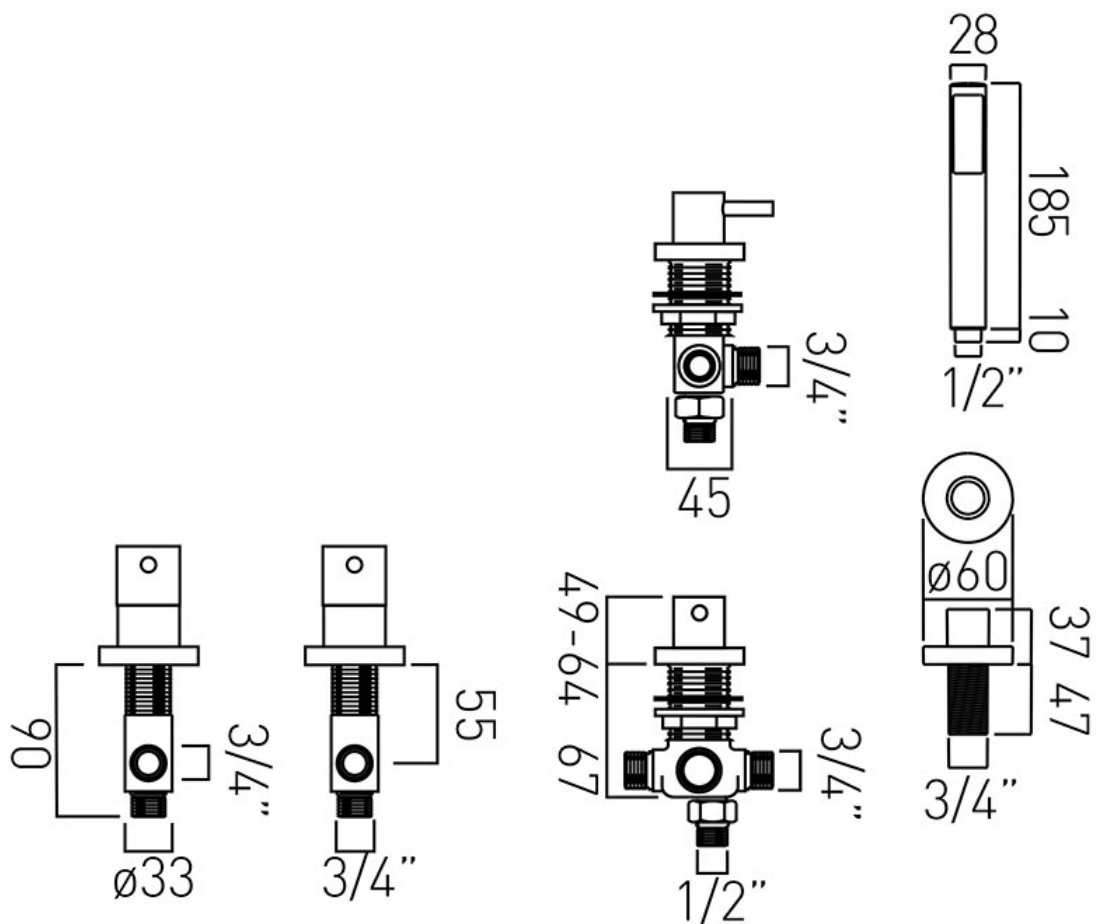
taps | showering | accessories



TECHNICAL DRAWING

COLLECTION: Z00

PRODUCT CODE: Z00-135/NS-3/4-C/P



tel: 01934 744466
email: sales@vado.com
www.vado.com

where inspiration flows
taps | showering | accessories

