

SPECIFICATION SHEET

COLLECTION: ZOO

PRODUCT CODE: ZOO-130+K-C/P



DESCRIPTION:

2 hole bath shower mixer
deck mounted
with shower kit
with water flow straightener
cold ceramic cartridge ZOO-130+137-VALVE-CL
hot ceramic cartridge ZOO-130+137-VALVE-HT
3/4" x 50mm fitted tail connections
deck mount drill hole diameter 28mm
minimum operating pressure 0.2 bar LP

FINISH:

Chrome

FLOW REGULATOR:

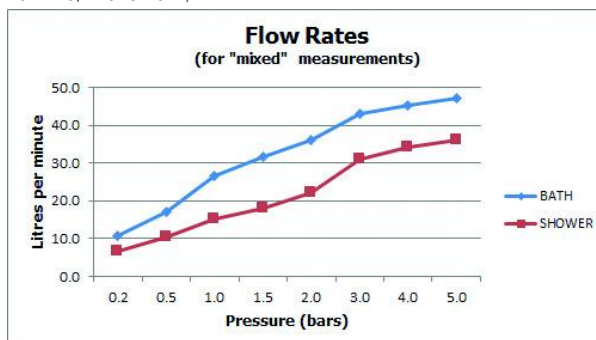
FR-SHOWER/9-C/P

MINIMUM OPERATING PRESSURE:

0.2 bar LP

FLOW RATE AT 3.0 BAR FLOW PRESSURE:

Bath: 43, Shower: 31 l/min



tel: 01934 744466
email: sales@vado.com
www.vado.com

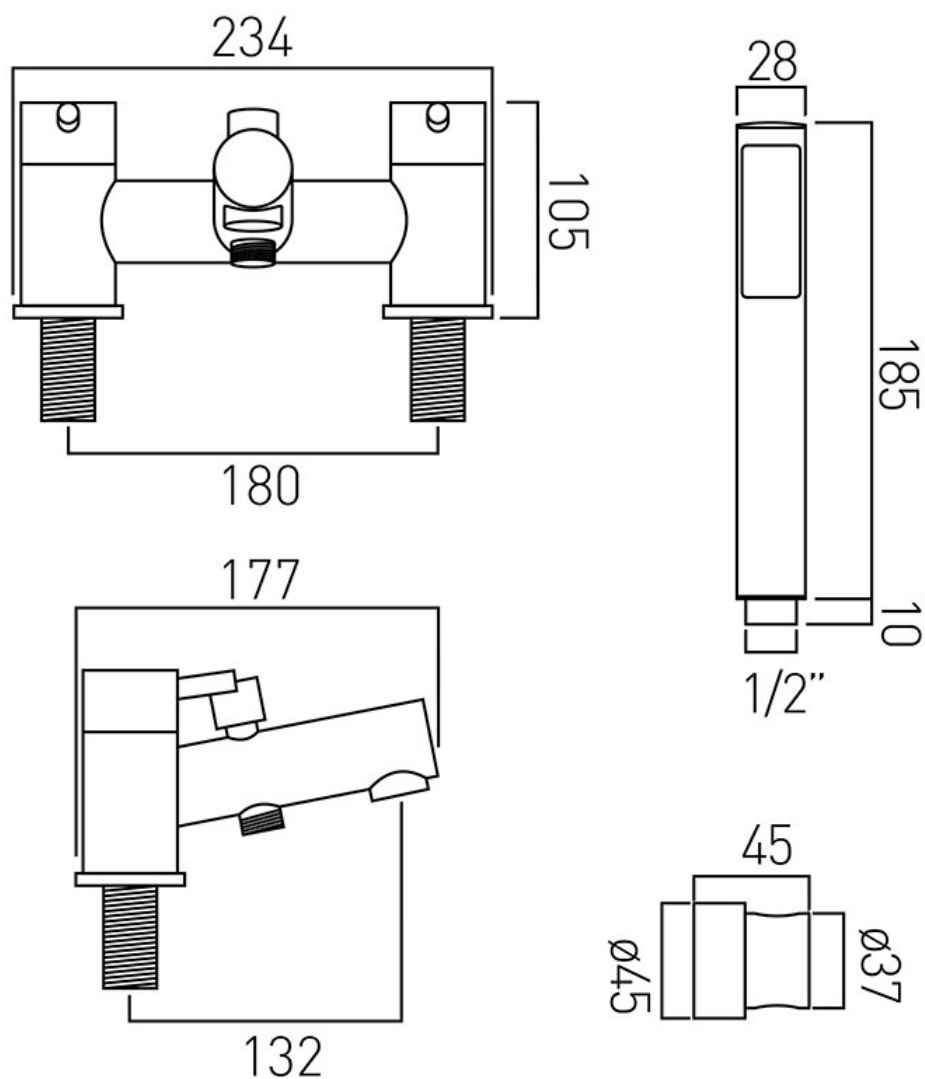
where inspiration flows
taps | showering | accessories



TECHNICAL DRAWING

COLLECTION: Z00

PRODUCT CODE: Z00-130+K-C/P



tel: 01934 744466
email: sales@vado.com
www.vado.com

where inspiration flows
taps | showering | accessories

