


Central Heating Model STOCK listed in black	Height mm	Width mm	Finish	Output $\Delta T=50K$ Watts/btu All outputs certified to EN 442	Electric Immersion Rating Watts	Weight kg	RRP (ex VAT)	RRP (inc 20% VAT)
 Zehnder Metropolitan Spa								
MET-080-040	805	400	white	327/1115	300	6.5	£343	£411.60

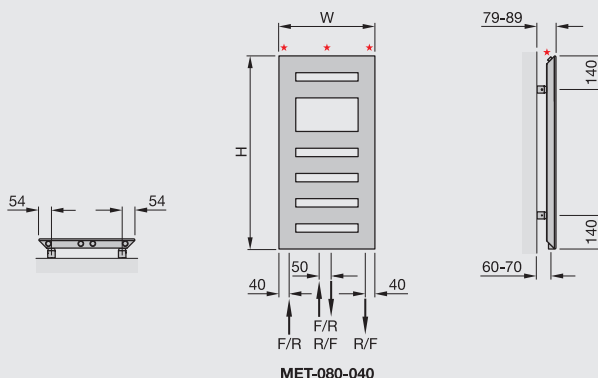
 **Colour finish:** Standard colours from the Zehnder colour chart including matt white finish: white RAL 9016 + 25%. Colour finish and non-stock products delivery: 20 working days.


Suggested valves (to suit pipework from the wall)


Model		RRP (ex VAT)	RRP (inc 20% VAT)
VAL-SET-2-CR	Contemporary double angled radiator valve set chrome plated	£59	£70.80
VAL-SET-10-CR VAL-SET-11-CR	Thermostatic double angled valve set chrome plated	£183	£219.60

See pages 46-47 for additional Metropolitan Spa sizes, technical information and options, and pages 132 -137 for valve options

*1/2" air vent
Width excludes air vent
F = flow
R = return
H = height
W = width
Tube: \varnothing 25mm
All dimensions in mm



For full  compliant technical specifications, refer to page 140

Central Heating Model STOCK listed in black	Height mm	Width mm	Finish	Output $\Delta T=50K$ Watts/btu All outputs certified to EN 442	Electric Immersion Rating Watts	Weight kg	RRP (ex VAT)	RRP (inc 20% VAT)
 Zehnder Stellar Spa Stainless Steel Polished								
STGI-060-045	572	450	s/steel polished	161/549	100	3.1	£217	£260.40
STGI-080-030	788	300	s/steel polished	171/583	100	3.4	£218	£261.60

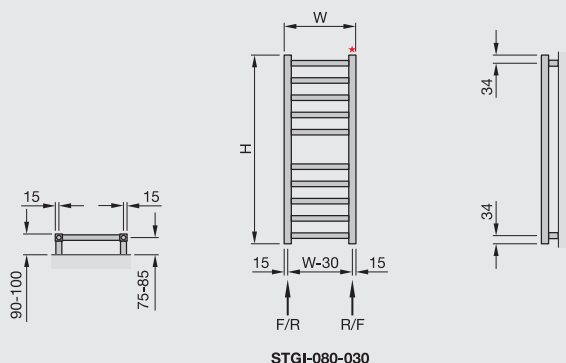
 **Colour finish:** Standard colours from the Zehnder colour chart. No charge for colour option. Colour finish and non-stock products delivery: 21 working days


Suggested valves (to suit pipework from the wall)

Model		RRP (ex VAT)	RRP (inc 20% VAT)
VAL-SET-6-CR	Square head double angled valve set chrome plated	£210	£252.00

See page 68 for additional Stellar Spa sizes, technical information and options, and pages 132 -137 for valve options

*1/2" air vent
Height excludes air vent
F = flow
R = return
H = height
W = width
Tube: Horizontal \varnothing 23mm
Tube: Vertical \varnothing 30mm
All dimensions in mm



For full  compliant technical specifications, refer to page 140
To make an approximate conversion from T=50K to T=60K multiply outputs by 1.2