


Central Heating Model <b>STOCK</b> listed in black	Height mm	Width mm	Finish	Output $\Delta T=50K$ Watts/btu All outputs certified to EN 442	Electric Immersion Rating Watts	Weight kg	RRP (ex VAT)	RRP (inc 20% VAT)
 Zehnder Metropolitan Spa								
<b>MET-080-040</b>	805	400	white	327/1115	300	6.5	<b>£343</b>	<b>£411.60</b>

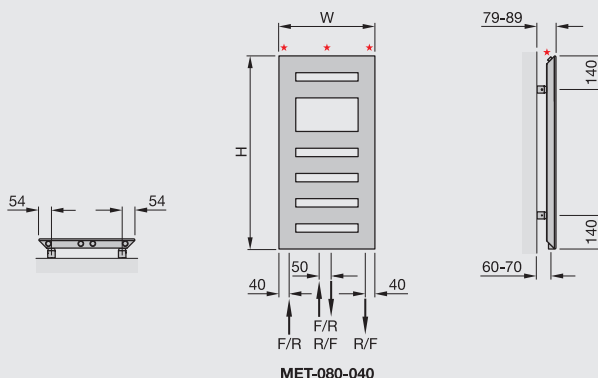
 **Colour finish:** Standard colours from the Zehnder colour chart including matt white finish: white RAL 9016 + 25%. Colour finish and non-stock products delivery: 20 working days.


**Suggested valves (to suit pipework from the wall)**


Model		RRP (ex VAT)	RRP (inc 20% VAT)
<b>VAL-SET-2-CR</b>	Contemporary double angled radiator valve set chrome plated	<b>£59</b>	<b>£70.80</b>
<b>VAL-SET-10-CR</b> <b>VAL-SET-11-CR</b>	Thermostatic double angled valve set chrome plated	<b>£183</b>	<b>£219.60</b>

See pages 46-47 for additional Metropolitan Spa sizes, technical information and options, and pages 132 -137 for valve options

\*1/2" air vent  
Width excludes air vent  
F = flow  
R = return  
H = height  
W = width  
Tube:  $\varnothing$  25mm  
All dimensions in mm



For full  compliant technical specifications, refer to page 140

Central Heating Model <b>STOCK</b> listed in black	Height mm	Width mm	Finish	Output $\Delta T=50K$ Watts/btu All outputs certified to EN 442	Electric Immersion Rating Watts	Weight kg	RRP (ex VAT)	RRP (inc 20% VAT)
 Zehnder Stellar Spa Stainless Steel Polished								
<b>STGI-060-045</b>	572	450	s/steel polished	161/549	100	3.1	<b>£217</b>	<b>£260.40</b>
<b>STGI-080-030</b>	788	300	s/steel polished	171/583	100	3.4	<b>£218</b>	<b>£261.60</b>

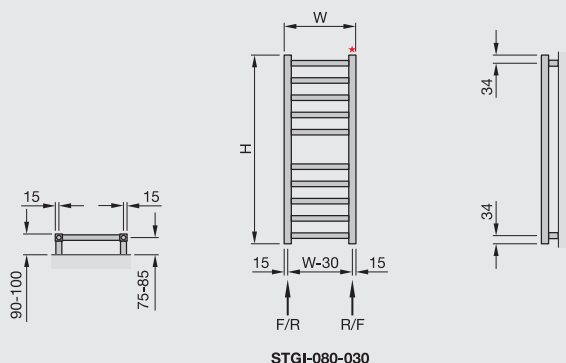
 **Colour finish:** Standard colours from the Zehnder colour chart. No charge for colour option. Colour finish and non-stock products delivery: 21 working days


**Suggested valves (to suit pipework from the wall)**

Model		RRP (ex VAT)	RRP (inc 20% VAT)
<b>VAL-SET-6-CR</b>	Square head double angled valve set chrome plated	<b>£210</b>	<b>£252.00</b>

See page 68 for additional Stellar Spa sizes, technical information and options, and pages 132 -137 for valve options

\*1/2" air vent  
Height excludes air vent  
F = flow  
R = return  
H = height  
W = width  
Tube: Horizontal  $\varnothing$  23mm  
Tube: Vertical  $\varnothing$  30mm  
All dimensions in mm



For full  compliant technical specifications, refer to page 140  
To make an approximate conversion from T=50K to T=60K multiply outputs by 1.2