

Zehnder Charleston Relax

Product data sheet



Zehnder Charleston Relax

Combine a powerful radiator with a bench and you get one of the most comfortable seats in the world: Zehnder Charleston Relax. Classic, elegant and extremely relaxing. The wood surface provided is both haven and practical storage option all at once. Radiators are available in almost all colours and surfaces from the Zehnder colour chart. The colour of the wood surface cannot be selected.

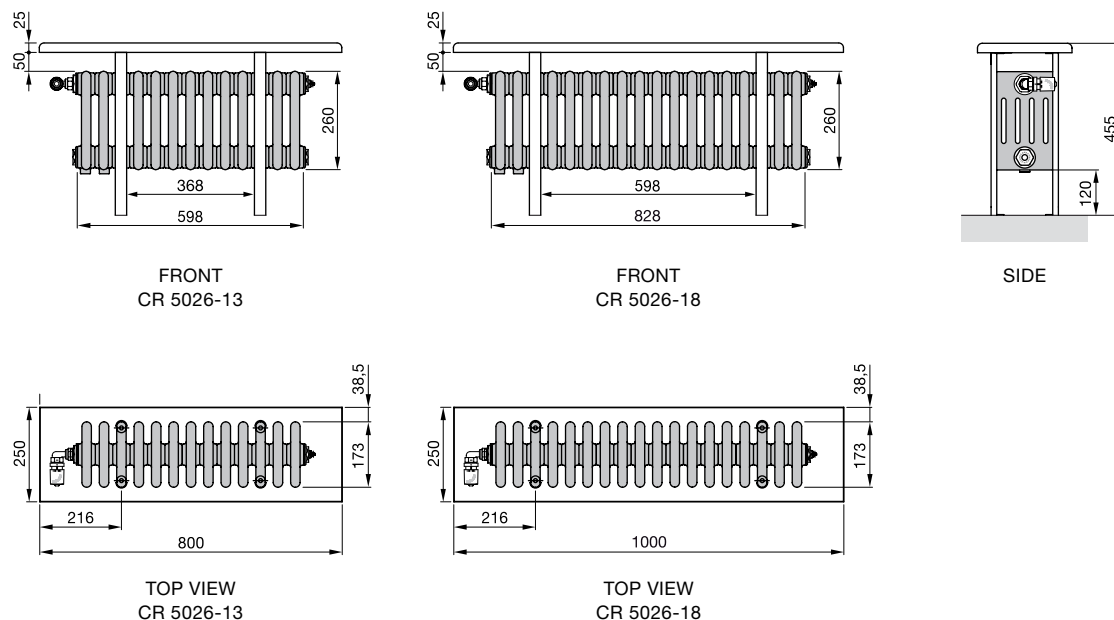
Benefits

- Classic, elegant design blends in with any setting
- Easy cleaning with the lambswool cleaning brush from Zehnder
- High level of heat capacity also for old buildings with a high heating load
- Residue-free laser welding technology "LaZer made" guarantees maximum quality, high-end design and reliable operation of the heating system

Special benefits for hot water operation

- Flexible installation through right and left connections and 50mm centre connections
- Flexible installation thanks to the Completto connection option with 50 mm connection centre and integrated valve at the top
- Additional angle adapter (90° bend) allows the thermostat head to be operated conveniently from the front

Model overview



Dimensions in mm

Connection to hot water central heating system

Painted version

Model	H	H _T ¹⁾	L	L _T	T	T _T	Thermal output			
							75/65/20 °C ²⁾	70/55/24 °C	55/45/24 °C	55/45/20 °C
	mm	mm	mm	mm	mm	mm	Watt	Watt	Watt	Watt
CR 5026-13	260	455	598	800	178	250	563	406	249	297
CR 5026-18	260	455	828	1000	178	250	761	549	336	402

H = height, H_T = total height, L = length, L_T = total length, T = depth, T_T = total depth

1) Total height measured from finished floor to top of bench

2) Nominal heat output according to EN 442

V20180716, RAD_DAS, UK_en, subject to change without notice