

Mirror cabinet (complete with special "Hang 'N' Lock" fixing brackets for quick and easy mounting)

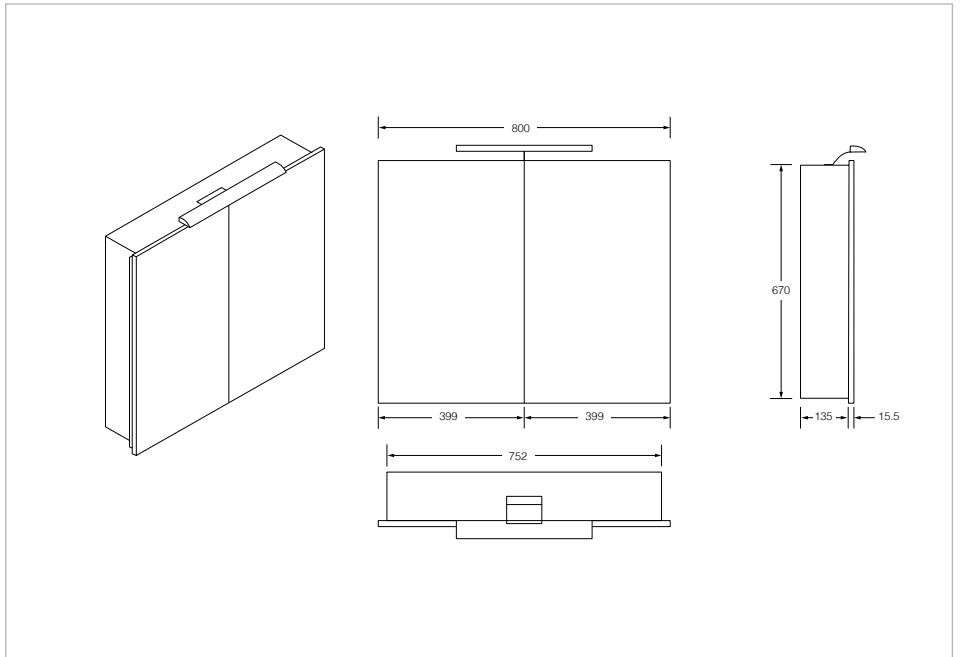


Adjustable shelves
 Door type: Hinged
 Internal shelves: 2
 Number of doors: 2

Dimensions

Length: 800 mm.
 Width: 155 mm.
 Height: 700 mm.

Technical drawings



A range of aluminum mirrored cabinets available in two variants, Sol and Sol Premium. Sol mirrored cabinets feature external lighting, shaver socket and adjustable shelves. Sol Premium cabinets feature all of the same functions as the standard cabinets with the addition of an internal light and integrated demister pads.