

# SPECIFICATION SHEET

**COLLECTION:** Té

**PRODUCT CODE:** WG-TEBOX149/B-1/2-CP



**DESCRIPTION:**

té wall mounted exposed thermostatic shower valve 1/2"  
with V2 single function low pressure slide rail shower kit  
and wall mounting brackets  
thermostatic cartridge TE-001C-WAX  
flow cartridge TE-002B-1/2

kit comprises:

WG-V2KIT-C/P

TE-149T-C/P

WG-049BRACK+SHR-C/P

minimum operating pressure 0.2 bar LP

**FINISH:**

Chrome

**FLOW REGULATOR:**

FR-SHOWER/9-C/P

**MINIMUM OPERATING PRESSURE:**

0.2 bar LP



tel: 01934 744466

email: sales@vado.com

www.vado.com

**where inspiration flows**

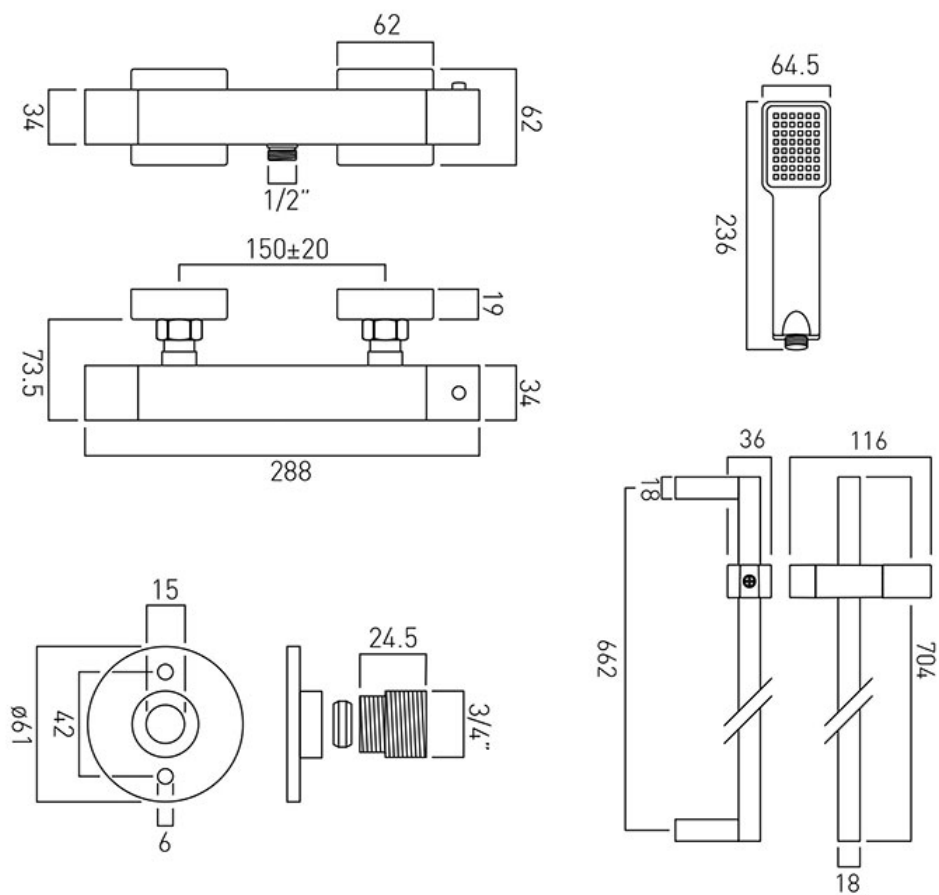
taps | showering | accessories



# TECHNICAL DRAWING

COLLECTION: Té

PRODUCT CODE: WG-TEBOX149/B-1/2-CP



tel: 01934 744466  
email: sales@vado.com  
www.vado.com

**where inspiration flows**  
taps | showering | accessories

