

SPECIFICATION SHEET

COLLECTION:

PRODUCT CODE: WG-SATURN2/SA-C/P



DESCRIPTION:

saturn single function fixed disc shower head and shower arm
wall mounted
254mm (10")
minimum operating pressure 0.2 bar LP

FINISH:

Chrome

FLOW REGULATOR:

FR-SHOWER/9-C/P

MINIMUM OPERATING PRESSURE:

0.2 bar LP



tel: 01934 744466
email: sales@vado.com
www.vado.com

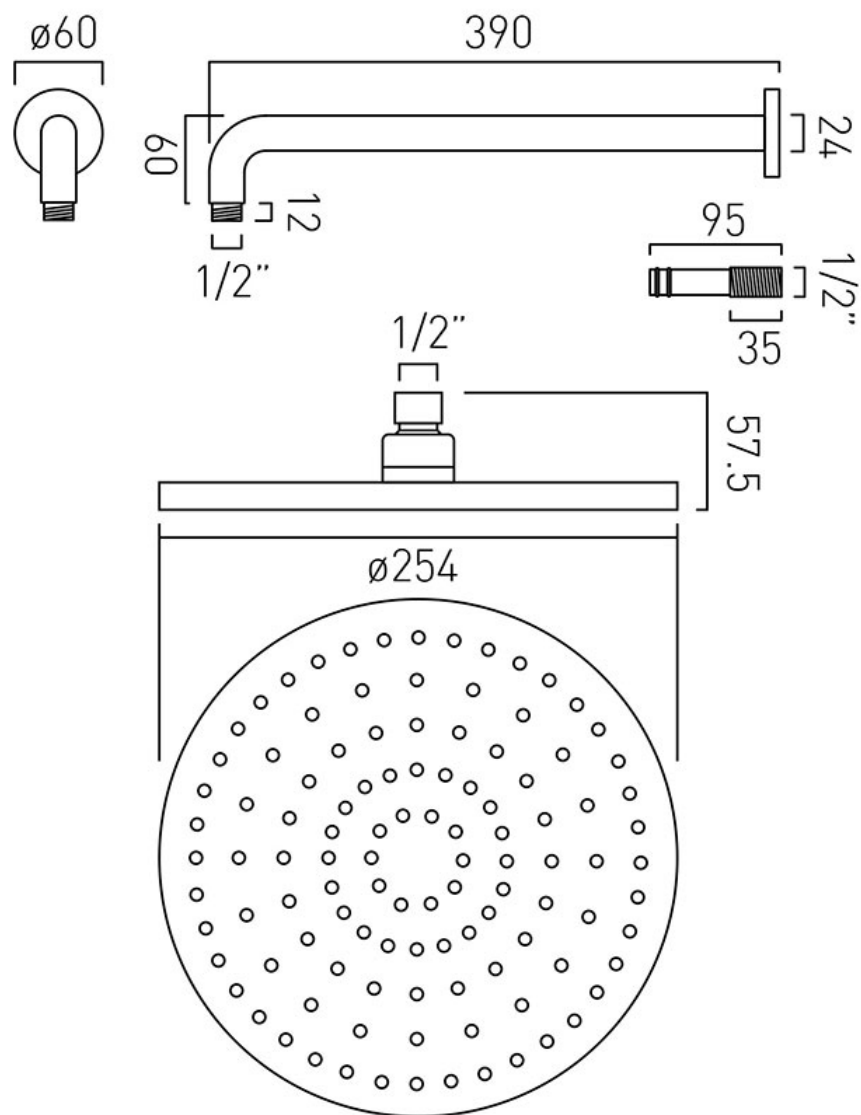
where inspiration flows
taps | showering | accessories



TECHNICAL DRAWING

COLLECTION:

PRODUCT CODE: WG-SATURN2/SA-C/P



tel: 01934 744466
email: sales@vado.com
www.vado.com

where inspiration flows
taps | showering | accessories

