

# SPECIFICATION SHEET

**COLLECTION:**

**PRODUCT CODE:** WG-ELBOW/45-C/P



**DESCRIPTION:**

elbow  
to suit deck mounted  
pull-up handsets  
deck mounted

**FINISH:**

Chrome

**FLOW REGULATOR:**

N



tel: 01934 744466  
email: [sales@vado.com](mailto:sales@vado.com)  
[www.vado.com](http://www.vado.com)

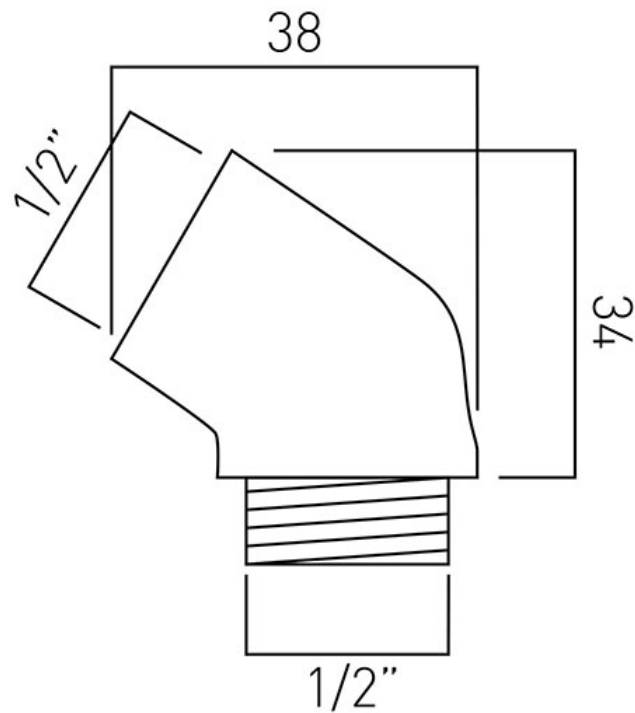
**where inspiration flows**  
taps | showering | accessories



# TECHNICAL DRAWING

**COLLECTION:**

**PRODUCT CODE:** WG-ELBOW/45-C/P



tel: 01934 744466  
email: sales@vado.com  
www.vado.com

**where inspiration flows**  
taps | showering | accessories

