

SPECIFICATION SHEET

COLLECTION:

PRODUCT CODE: WG-130ELBOW-C/P



DESCRIPTION:

bath shower mixer extension elbow for use with bath shower mixer to extend the distance between hose connection and bath tub in case of protruding pop-up waste

FINISH:

Chrome

FLOW REGULATOR:

N



tel: 01934 744466
email: sales@vado.com
www.vado.com

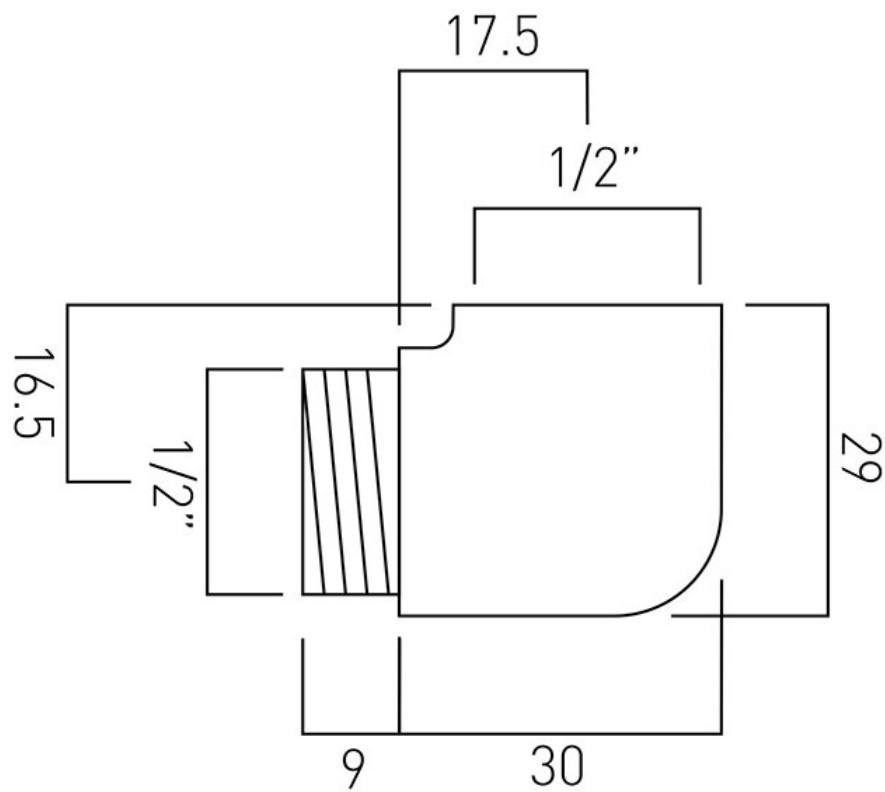
where inspiration flows
taps | showering | accessories



TECHNICAL DRAWING

COLLECTION:

PRODUCT CODE: WG-130ELBOW-C/P



tel: 01934 744466
email: sales@vado.com
www.vado.com

where inspiration flows
taps | showering | accessories

