

SPECIFICATION SHEET

COLLECTION: VELO

PRODUCT CODE: VEL-149RRK-RO-CP



DESCRIPTION:

velo exposed thermostatic shower valve with integrated diverter and adjustable rigid riser with single function shower head and shower handset
ceramic cartridge V-001B-PLA
flow cartridge VEL-002A-C/P
minimum operating pressure 1.0 bar MP

FINISH:

Chrome

MINIMUM OPERATING PRESSURE:

1.0 bar MP



tel: 01934 744466
email: sales@vado.com
www.vado.com

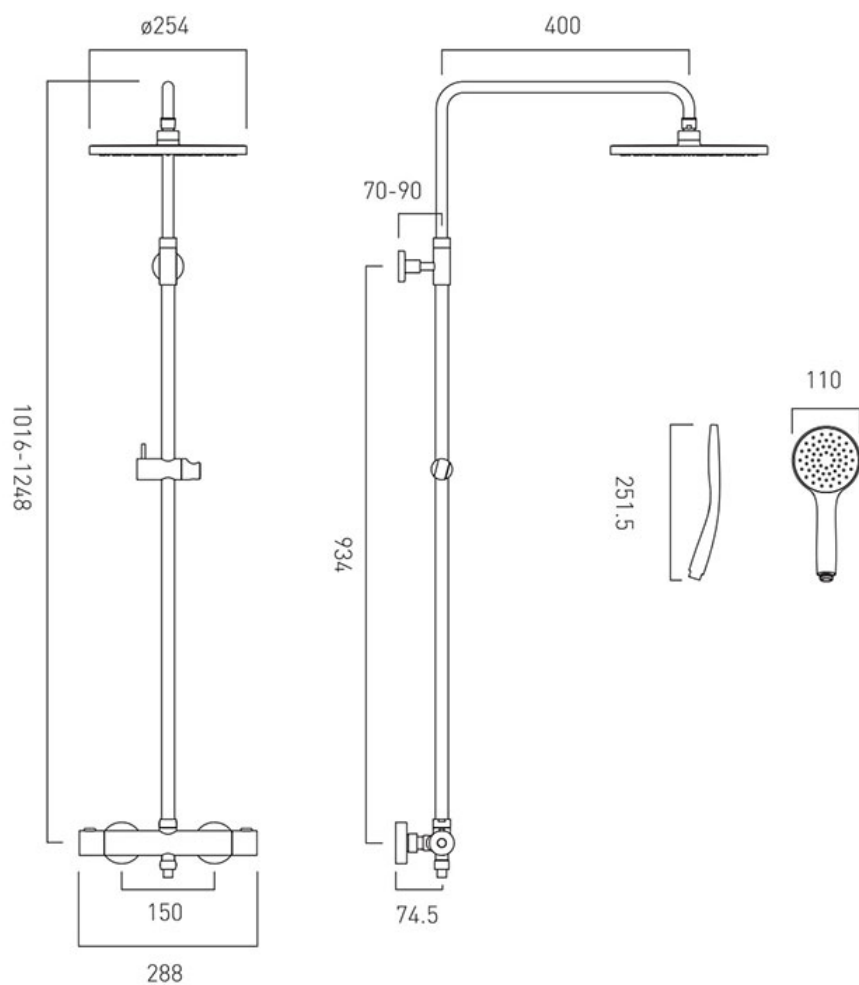
where inspiration flows
taps | showering | accessories



TECHNICAL DRAWING

COLLECTION: VELO

PRODUCT CODE: VEL-149RRK-RO-CP



tel: 01934 744466
email: sales@vado.com
www.vado.com

where inspiration flows
taps | showering | accessories

