

SPECIFICATION SHEET

COLLECTION: ZOO

PRODUCT CODE: ZOO-232NS-CP



DESCRIPTION:

Zoo
3 hole bath shower mixer
single lever
deck mounted
without spout
for use with bath filler waste and overflow
diverter cartridge F-803-33/2X
ceramic cartridge CAR-KN40
2 x 3/4" x 3/4" 600mm flexipipe connectors
1 x 2m shower hose
2 x 400 1/2" female flexipipe connectors to valve
valve deck mount drill hole 46mm
spout deck mount drill hole 28mm
diverter deck mount drill hole 44mm
handset deck mount drill hole 32mm
minimum operating pressure 3.0 bar HP

FINISH:

Chrome

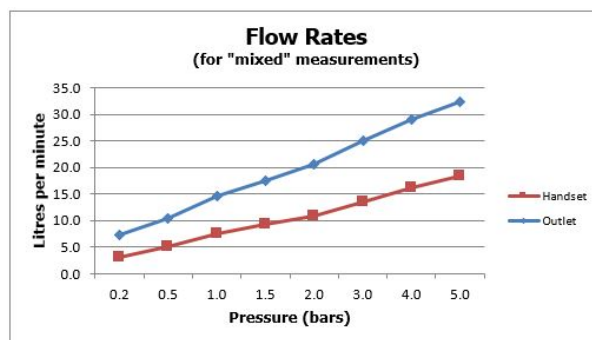
FLOW REGULATOR:

FR-FLEXI/8-PLA

MINIMUM OPERATING PRESSURE:

3.0 bar HP

15
year guarantee



tel: 01934 744466
email: sales@vado.com
www.vado.com

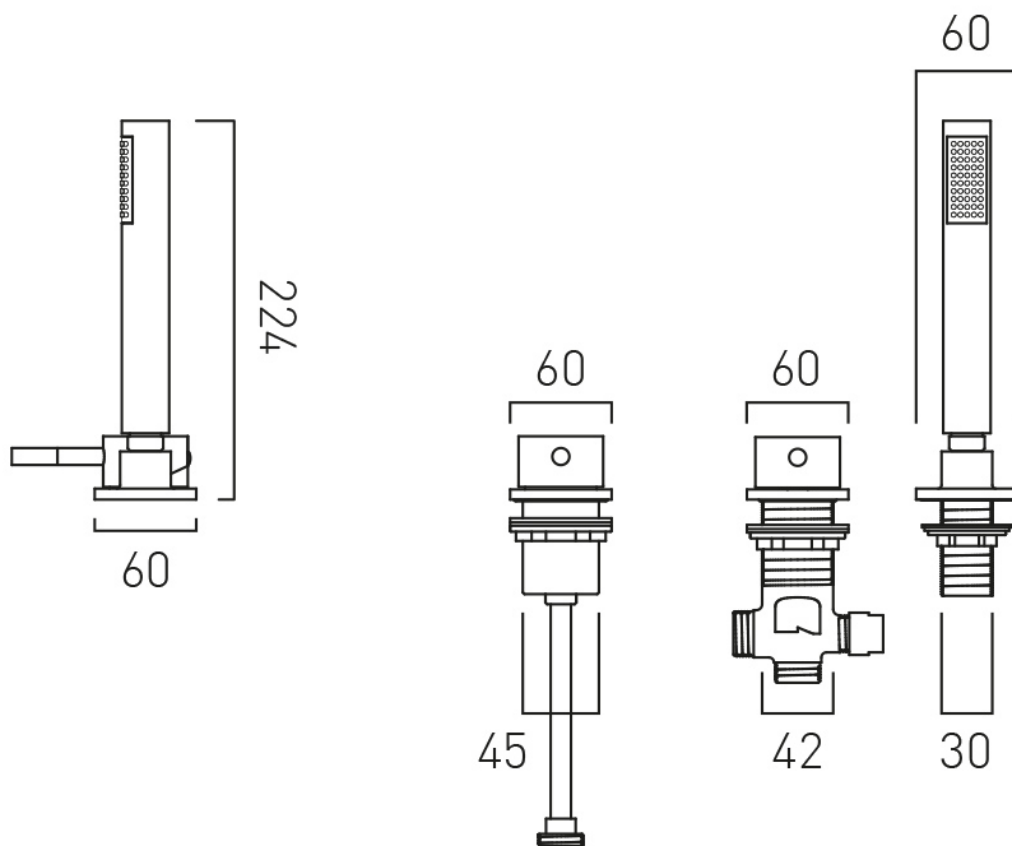
where inspiration flows
taps | showering | accessories



TECHNICAL DRAWING

COLLECTION: ZOO

PRODUCT CODE: ZOO-232NS-CP



tel: 01934 744466
email: sales@vado.com
www.vado.com

where inspiration flows
taps | showering | accessories

